

International IOR Rectifier

10BQ040PbF

SCHOTTKY RECTIFIER

1 Amp

$$I_{F(AV)} = 1.0\text{Amp}$$

$$V_R = 40\text{V}$$

Major Ratings and Characteristics

| Characteristics | Value | Units |
|--|------------|------------------|
| $I_{F(AV)}$ Rectangular waveform | 1.0 | A |
| V_{RRM} | 40 | V |
| I_{FSM} @tp = 5 μ s sine | 430 | A |
| V_F @ 1.0 Apk, $T_J = 125^\circ\text{C}$ | 0.49 | V |
| T_J range | -55 to 150 | $^\circ\text{C}$ |

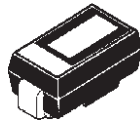
Description/ Features

The 10BQ040PbF surface-mount Schottky rectifier has been designed for applications requiring low forward drop and very small foot prints on PC boards. Typical applications are in disk drives, switching power supplies, converters, free-wheeling diodes, battery charging, and reverse battery protection.

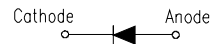
- Small foot print, surface mountable
- Low forward voltage drop
- High frequency operation
- Guard ring for enhanced ruggedness and long term reliability
- Lead-Free ("PbF" suffix)

Case Styles

10BQ040PbF



SMB



Voltage Ratings

| | |
|---|------------|
| Part number | 10BQ040PbF |
| V_R Max. DC Reverse Voltage (V) | 40 |
| V_{RWM} Max. Working Peak Reverse Voltage (V) | |

Absolute Maximum Ratings

| Parameters | 10BQ | Units | Conditions |
|--|------|-------|--|
| $I_{F(AV)}$ Max. Average Forward Current | 1.0 | A | 50% duty cycle @ $T_L = 112^\circ\text{C}$, rectangular wave form |
| I_{FSM} Max. Peak One Cycle Non-Repetitive Surge Current | 430 | A | Following any rated load condition and with rated V_{RRM} applied |
| | 45 | | |
| E_{AS} Non- Repetitive Avalanche Energy | 3.0 | mJ | $T_J = 25^\circ\text{C}$, $I_{AS} = 1\text{A}$, $L = 6\text{mH}$ |
| I_{AR} Repetitive Avalanche Current | 1.0 | A | Current decaying linearly to zero in 1 μsec Frequency limited by T_J max. $V_a = 1.5 \times V_r$ typical |

Electrical Specifications

| Parameters | 10BQ | Units | Conditions |
|---|-------|------------------|---|
| V_{FM} Max. Forward Voltage Drop (1) * See Fig. 1 | 0.53 | V | @ 1A $T_J = 25^\circ\text{C}$ |
| | 0.70 | V | @ 2A $T_J = 25^\circ\text{C}$ |
| | 0.49 | V | @ 1A $T_J = 125^\circ\text{C}$ |
| | 0.64 | V | @ 2A $T_J = 125^\circ\text{C}$ |
| I_{RM} Max. Reverse Leakage Current (1) * See Fig. 2 | 0.1 | mA | $T_J = 25^\circ\text{C}$ $V_R = \text{rated } V_R$ |
| | 4 | mA | $T_J = 125^\circ\text{C}$ $V_R = \text{rated } V_R$ |
| C_T Typical Junction Capacitance | 80 | pF | $V_R = 5V_{DC}$, (test signal range 100kHz to 1MHz) 25°C |
| L_S Typical Series Inductance | 2.0 | nH | Measured lead to lead 5mm from package body |
| dv/dt Max. Voltage Rate of Charge (Rated V_R) | 10000 | V/ μs | |

(1) Pulse Width < 300 μs , Duty Cycle < 2%

Thermal-Mechanical Specifications

| Parameters | 10BQ | Units | Conditions |
|--|-------------|---------------------------|------------------|
| T_J Max. Junction Temperature Range (*) | -55 to 150 | $^\circ\text{C}$ | |
| T_{stg} Max. Storage Temperature Range | -55 to 150 | $^\circ\text{C}$ | |
| R_{thJL} Max. Thermal Resistance Junction to Lead (**) | 36 | $^\circ\text{C}/\text{W}$ | DC operation |
| R_{thJA} Max. Thermal Resistance Junction to Ambient | 80 | $^\circ\text{C}/\text{W}$ | |
| wt Approximate Weight | 0.10(0.003) | g(oz.) | |
| Case Style | SMB | | Similar DO-214AA |
| Device Marking | IR1F | | |

(*) $\frac{dP_{tot}}{dT_J} < \frac{1}{R_{th(j-a)}}$ thermal runaway condition for a diode on its own heatsink

(**) Mounted 1 inch square PCB

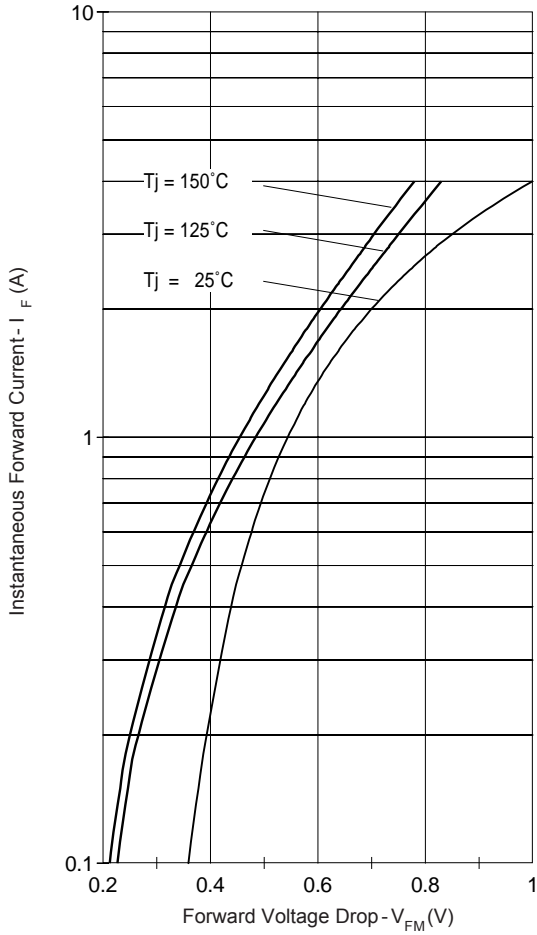


Fig. 1 - Maximum Forward Voltage Drop Characteristics

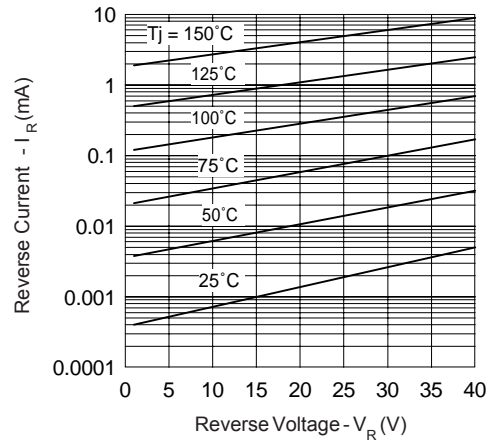


Fig. 2 - Typical Peak Reverse Current Vs. Reverse Voltage

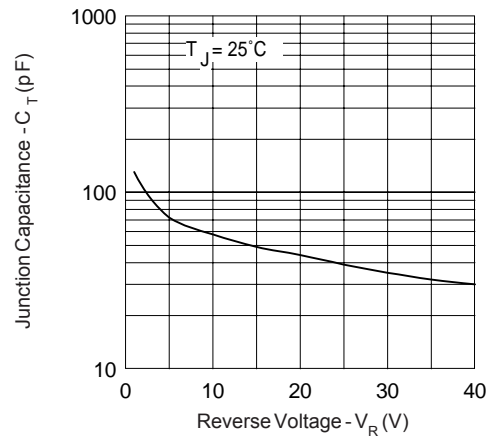


Fig. 3 - Typical Junction Capacitance Vs. Reverse Voltage

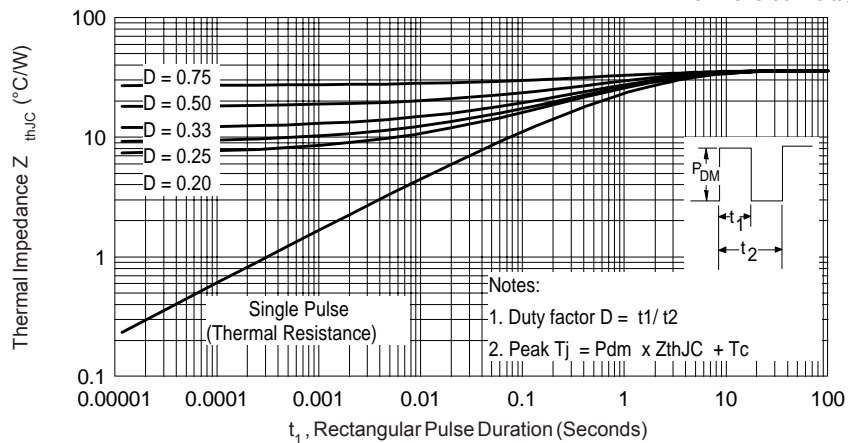


Fig. 4 - Max. Thermal Impedance Z_{thJC} Characteristics (Per Leg)

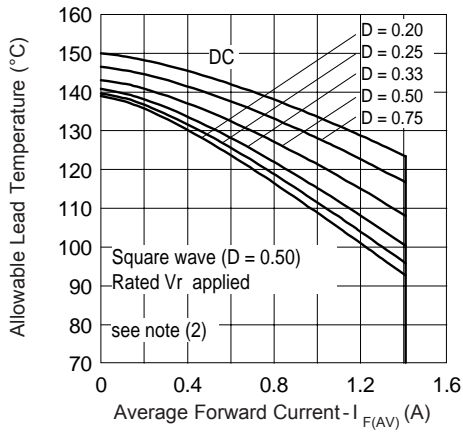


Fig. 4 - Maximum Average Forward Current Vs. Allowable Lead Temperature

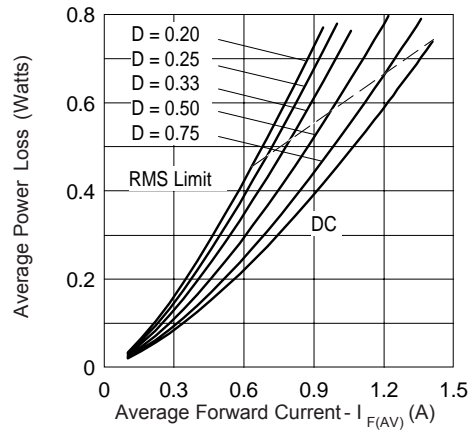


Fig. 5 - Maximum Average Forward Dissipation Vs. Average Forward Current

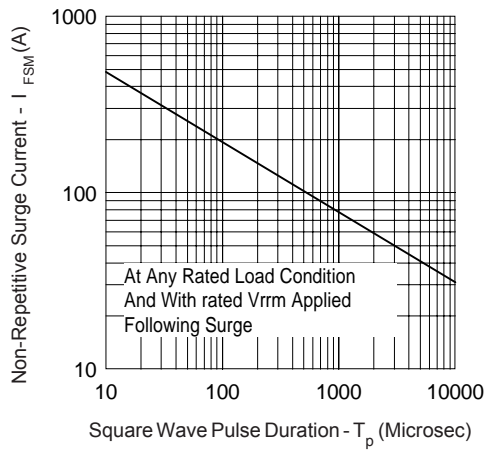
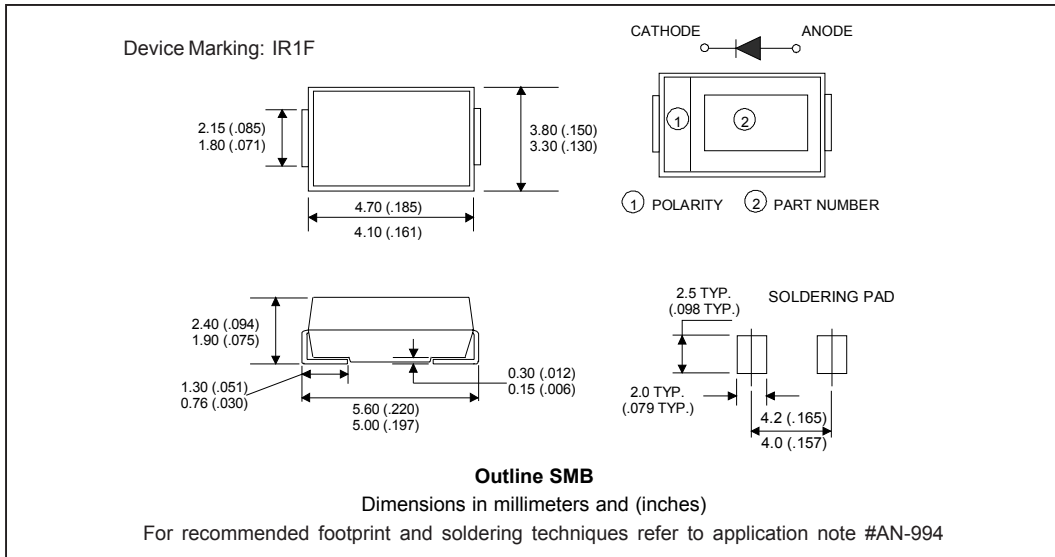


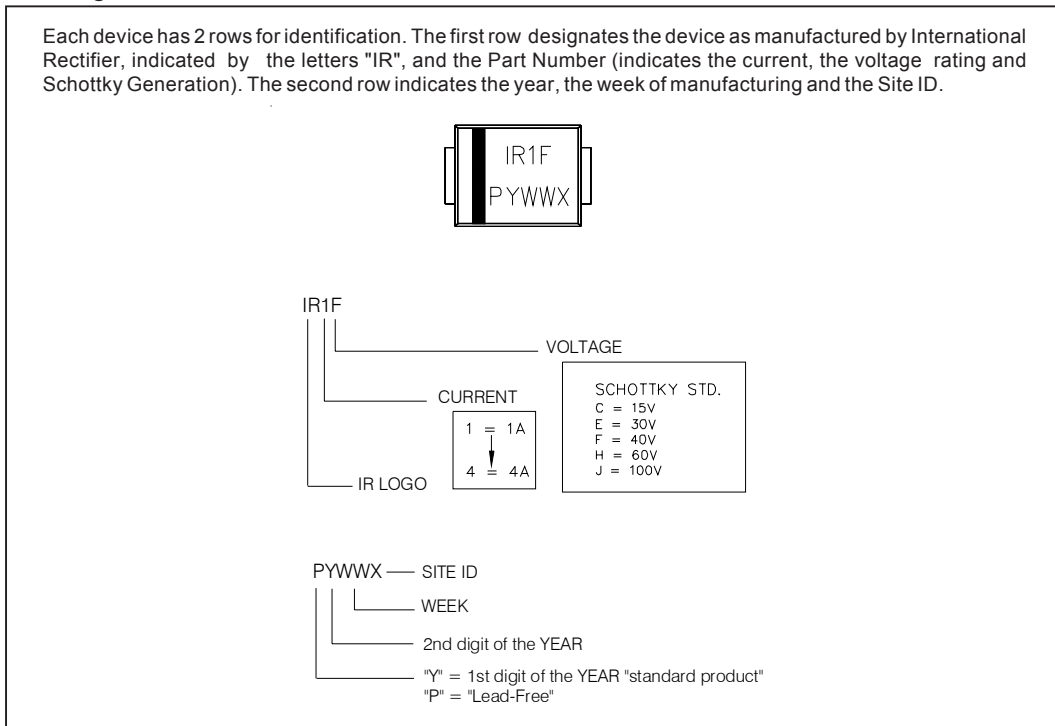
Fig. 6 - Maximum Peak Surge Forward Current Vs. Pulse Duration

(2) Formula used: $T_C = T_J - (Pd + Pd_{REV}) \times R_{thJC}$;
 $Pd = \text{Forward Power Loss} = I_{F(AV)} \times V_{FM} @ (I_{F(AV)} / D)$ (see Fig. 6);
 $Pd_{REV} = \text{Inverse Power Loss} = V_{R1} \times I_R (1 - D)$; $I_R @ V_{R1} = 80\% \text{ rated } V_R$

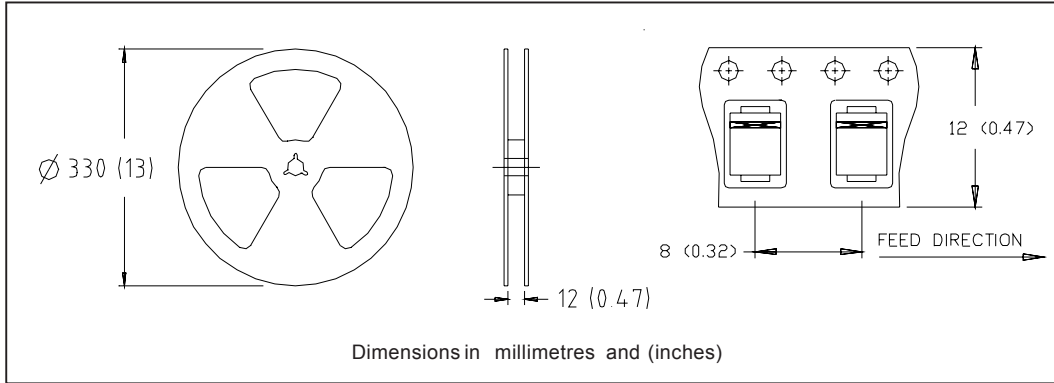
Outline Table



Marking & Identification



Tape & Reel Information



Ordering Information Table

| Device Code | | | | | |
|-------------|--|----------|------------|-----------|------------|
| 10 | B | Q | 040 | TR | PbF |
| ① | ② | ③ | ④ | ⑤ | ⑥ |
| 1 | - Current Rating | | | | |
| 2 | - B = Single Lead Diode | | | | |
| 3 | - Q = Schottky Q Series | | | | |
| 4 | - Voltage Rating (040 = 40V) | | | | |
| 5 | <ul style="list-style-type: none"> • none = Box (1000 pieces) • TR = Tape & Reel (3000 pieces) | | | | |
| 6 | <ul style="list-style-type: none"> • none = Standard Production • PbF = Lead-Free | | | | |

Data and specifications subject to change without notice.
This product has been designed and qualified for Industrial Level and Lead-Free.
Qualification Standards can be found on IR's Web site.



Notice

The products described herein were acquired by Vishay Intertechnology, Inc., as part of its acquisition of International Rectifier's Power Control Systems (PCS) business, which closed in April 2007. Specifications of the products displayed herein are pending review by Vishay and are subject to the terms and conditions shown below.

Specifications of the products displayed herein are subject to change without notice. Vishay Intertechnology, Inc., or anyone on its behalf, assumes no responsibility or liability for any errors or inaccuracies.

Information contained herein is intended to provide a product description only. No license, express or implied, by estoppel or otherwise, to any intellectual property rights is granted by this document. Except as provided in Vishay's terms and conditions of sale for such products, Vishay assumes no liability whatsoever, and disclaims any express or implied warranty, relating to sale and/or use of Vishay products including liability or warranties relating to fitness for a particular purpose, merchantability, or infringement of any patent, copyright, or other intellectual property right.

The products shown herein are not designed for use in medical, life-saving, or life-sustaining applications. Customers using or selling these products for use in such applications do so at their own risk and agree to fully indemnify Vishay for any damages resulting from such improper use or sale.



Компания «ЭлектроПласт» предлагает заключение долгосрочных отношений при поставках импортных электронных компонентов на взаимовыгодных условиях!

Наши преимущества:

- Оперативные поставки широкого спектра электронных компонентов отечественного и импортного производства напрямую от производителей и с крупнейших мировых складов;
- Поставка более 17-ти миллионов наименований электронных компонентов;
- Поставка сложных, дефицитных, либо снятых с производства позиций;
- Оперативные сроки поставки под заказ (от 5 рабочих дней);
- Экспресс доставка в любую точку России;
- Техническая поддержка проекта, помощь в подборе аналогов, поставка прототипов;
- Система менеджмента качества сертифицирована по Международному стандарту ISO 9001;
- Лицензия ФСБ на осуществление работ с использованием сведений, составляющих государственную тайну;
- Поставка специализированных компонентов (Xilinx, Altera, Analog Devices, Intersil, Interpoint, Microsemi, Aeroflex, Peregrine, Syfer, Eurofarad, Texas Instrument, Miteq, Cobham, E2V, MA-COM, Hittite, Mini-Circuits, General Dynamics и др.);

Помимо этого, одним из направлений компании «ЭлектроПласт» является направление «Источники питания». Мы предлагаем Вам помощь Конструкторского отдела:

- Подбор оптимального решения, техническое обоснование при выборе компонента;
- Подбор аналогов;
- Консультации по применению компонента;
- Поставка образцов и прототипов;
- Техническая поддержка проекта;
- Защита от снятия компонента с производства.



Как с нами связаться

Телефон: 8 (812) 309 58 32 (многоканальный)

Факс: 8 (812) 320-02-42

Электронная почта: org@eplast1.ru

Адрес: 198099, г. Санкт-Петербург, ул. Калинина, дом 2, корпус 4, литера А.