



Choose one component from each of the colored sections to assemble a complete switch.
For other options or further information please contact EAO Switch directly.

Product Profile

The Series 84 consists of indicators, momentary pushbuttons and low depth monoblock Emergency-stop switches. The indicators and pushbuttons are a modular system of lens, actuator and switching element with connections using plug-in terminals.

Within the many different colors, the lenses are available either in plastic or anodized aluminum.

Technical drawings see pages 78-79

- IP67 Protection (Switches and Indicators)
- IP65 Protection (Emergency-stop switches)
- Flush Mounting into 22.5mm cut out
- Illumination using Single or Multi-LED's in red, orange, yellow, green, blue or white
- Switching elements with solder or plug-in terminals or ribbon cable with 300mm length
- Switch Rating for indicator and pushbutton: 10mA - 100mA, 50mVAC/VDC - 42VAC/VDC
- Switch Rating for Emergency-stop switch: 3A/120VAC, 1.5A/240VAC
- LED Voltage for Emergency-stop switch: 5-30VDC
- All standard plastic lenses with the exception of black are transparent with translucent white diffuser
- Compact Emergency-stop meets EN 60947-5-1, EN 60947-5-5 and EN 418

Indicator



Indicator body for flush mount, black plastic, IP67 front protection, 22.5mm mounting

Part No.
84-0100.0

For complete switch also order **A**

Illuminated pushbutton



Pushbutton actuator for flush mount, black plastic, IP67 front protection, 22.5mm mounting

Part No.	Action	Size
84-1101.0	Momentary	25mm Ø

For complete switch also order **A**

Illuminated Emergency-stop switch



Emergency-stop red LED illuminated, plug-in terminals, twist release, 32mm diameter for 22.5mm mounting, foolproof to EN 60947-5-5, EN418

Part No.	Contact type
84-5021.2B20	1NC
84-5041.2B20	2NC
84-5031.2B20	1NC/1NO

See Series 04 for available legend plates

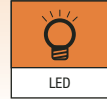
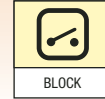


Emergency-stop red LED illuminated, ribbon cable, twist release, 32mm diameter for 22.5mm mounting, foolproof to EN 60947-5-5, EN418

Part No.	Contact type
84-5021.2B40	1NC
84-5041.2B40	2NC
84-5031.2B40	1NC/1NO

See Series 04 for available legend plates

Choose one component from each of the colored sections to assemble a complete switch.
For other options or further information please contact EAO Switch directly.



Emergency-stop switch **Indicator element**



Emergency-stop non illuminated, plug-in terminals, twist release, 32mm diameter for 22.5mm mounting, foolproof to EN 60947-5-5, EN 418



Emergency-stop non illuminated, ribbon cable, twist release, 32mm diameter for 22.5mm mounting, foolproof to EN 60947-5-5, EN 418



Indicator element, 24VDC LED, plug-in terminals, IP67

Part No.	Contact type	Part No.	Contact Type	Color	Part No.	Comment
84-5020.0020	1NC	84-5020.0040	1NC	Red	84-8002.2620	Multi-chip LED
84-5040.0020	2NC	84-5040.0040	2NC	Yellow	84-8002.4620	Multi-chip LED
84-5030.0020	1NC/1NO	84-5030.0040	1NC/1NO	Green	84-8002.5620	Multi-chip LED
				Blue	84-8001.6620	Single-chip LED
				White	84-8001.9620	Single-chip LED
See Series 04 for available legend plates		See Series 04 for available legend plates				

For complete switch also order **A**

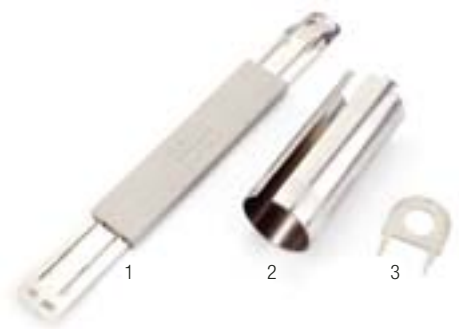
Switch element **A Accessories**



Switching element, 24VDC LED, plug-in terminals, 1NO, IP67



Lens with white diffuser, plastic for flush mount, round indicator and pushbutton bodies



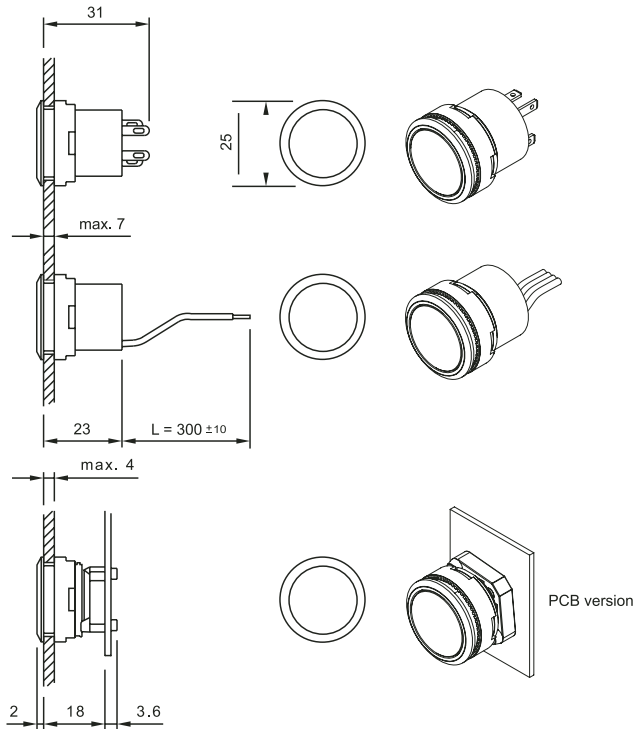
Lens remover for flush mount, mounting tool and switch element remover

Color	Part No.	Comment	Color	Part No.	Comment	Image	Part No.	Product description
Red	84-8512.2620	Multi-chip LED	Red	84-7111.200		1	61-9730.0	Lens remover for flush mount
Yellow	84-8512.4620	Multi-chip LED	Yellow	84-7111.400		2	84-997	Mounting tool
Green	84-8512.5620	Multi-chip LED	Green	84-7111.500		3	84-998	Switch element remover
Blue	84-8511.6620	Single-chip LED	Blue	84-7111.600				
White	84-8511.9620	Single-chip LED	Clear	84-7111.700				
	84-8510.0020	No LED - switching element only	Black	84-7121.000	Not for illumination			

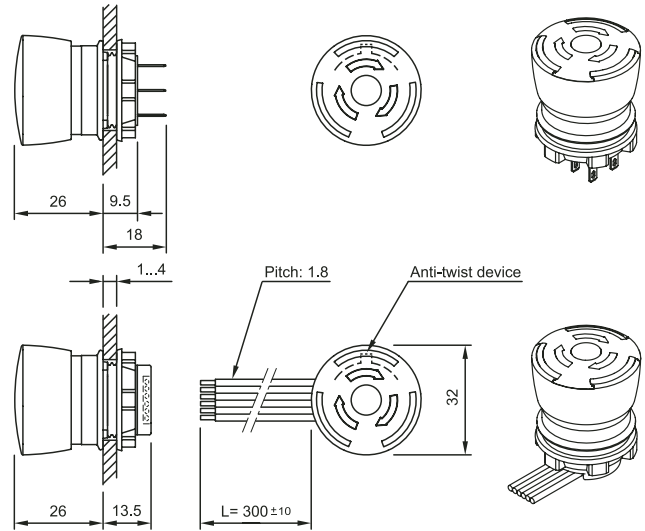
For complete switch also order **A**

84 Complete Indicator, Complete Pushbutton

Flush, plug-in terminals

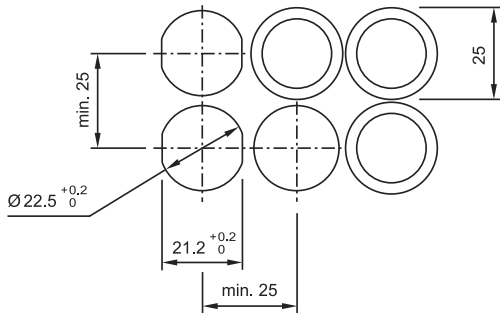


84 E-Stop



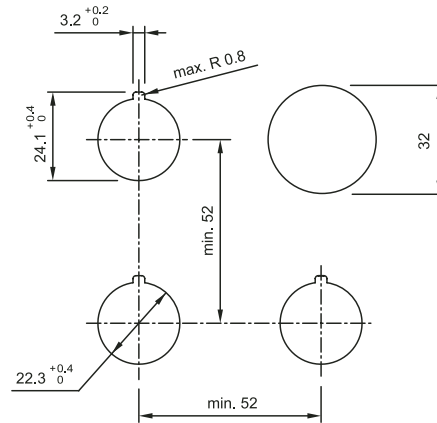
84 Cut-outs

Indicator Housing, Pushbutton Actuator



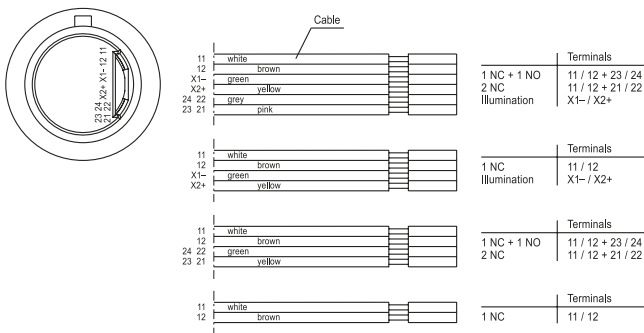
84 Cut-outs

E-Stop, EN 418 Illuminated Ribbon Cable, E-Stop EN 418 Non-Illuminated Ribbon Cable



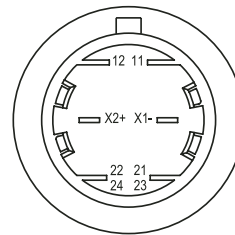
84 E-Stop

Ribbon cable wiring



84 E-Stop

Solder wiring





Компания «ЭлектроПласт» предлагает заключение долгосрочных отношений при поставках импортных электронных компонентов на взаимовыгодных условиях!

Наши преимущества:

- Оперативные поставки широкого спектра электронных компонентов отечественного и импортного производства напрямую от производителей и с крупнейших мировых складов;
- Поставка более 17-ти миллионов наименований электронных компонентов;
- Поставка сложных, дефицитных, либо снятых с производства позиций;
- Оперативные сроки поставки под заказ (от 5 рабочих дней);
- Экспресс доставка в любую точку России;
- Техническая поддержка проекта, помощь в подборе аналогов, поставка прототипов;
- Система менеджмента качества сертифицирована по Международному стандарту ISO 9001;
- Лицензия ФСБ на осуществление работ с использованием сведений, составляющих государственную тайну;
- Поставка специализированных компонентов (Xilinx, Altera, Analog Devices, Intersil, Interpoint, Microsemi, Aeroflex, Peregrine, Syfer, Eurofarad, Texas Instrument, Miteq, Cobham, E2V, MA-COM, Hittite, Mini-Circuits, General Dynamics и др.);

Помимо этого, одним из направлений компании «ЭлектроПласт» является направление «Источники питания». Мы предлагаем Вам помощь Конструкторского отдела:

- Подбор оптимального решения, техническое обоснование при выборе компонента;
- Подбор аналогов;
- Консультации по применению компонента;
- Поставка образцов и прототипов;
- Техническая поддержка проекта;
- Защита от снятия компонента с производства.



Как с нами связаться

Телефон: 8 (812) 309 58 32 (многоканальный)

Факс: 8 (812) 320-02-42

Электронная почта: org@eplast1.ru

Адрес: 198099, г. Санкт-Петербург, ул. Калинина, дом 2, корпус 4, литера А.