

**PLEASE CHECK WWW.MOLEX.COM FOR LATEST PART INFORMATION**

**Part Number:** **0458020215**  
**Status:** **Active**  
**Description:** 1.20mm (.047") x 2.00mm (.079") Pitch HD Mezz™ Receptacle, 195 Circuits, 8.00mm (.315") Unmated Height, 15 Rows, Lead Free

**Documents:**

[3D Model](#) [Product Specification PS-45802-001 \(PDF\)](#)  
[Drawing \(PDF\)](#) [RoHS Certificate of Compliance \(PDF\)](#)

**Agency Certification**

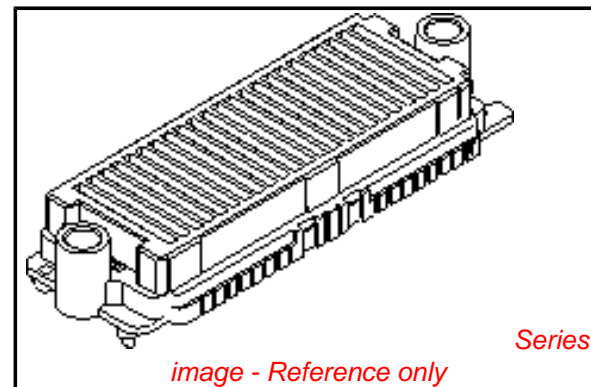
CSA LR19980  
 UL E29179

**General**

Product Family PCB Receptacles  
 Series [45802](#)  
 Application Board-to-Board  
 Comments 1.20mm (.047") Pitch Pin-to-Pin and 2.00mm (.079") Pitch Row-to-Row  
 Product Name Mezzanine

**Physical**

Circuits (Loaded) 195  
 Circuits (maximum) 195  
 Color - Resin Black  
 Durability (mating cycles max) 100  
 Flammability 94V-0  
 Glow-Wire Compliant No  
 Guide to Mating Part No  
 Keying to Mating Part None  
 Lock to Mating Part Yes  
 Material - Metal High Performance Alloy (HPA)  
 Material - Plating Mating Gold  
 Material - Plating Termination Tin  
 Material - Resin High Temperature Thermoplastic  
 Number of Rows 15  
 Orientation Vertical  
 PC Tail Length (in) 0.000 In  
 PC Tail Length (mm) 0.00 mm  
 PCB Locator Yes  
 PCB Retention Yes  
 PCB Thickness Recommended (in) 0.000 In  
 PCB Thickness Recommended (mm) 0.00 mm  
 Packaging Type Tray  
 Pitch - Mating Interface (in) 0.079 In  
 Pitch - Mating Interface (mm) 2.00 mm  
 Pitch - Term. Interface (in) 0.079 In  
 Pitch - Term. Interface (mm) 2.00 mm  
 Plating min: Mating (µin) 30  
 Plating min: Mating (µm) 0.75  
 Plating min: Termination (µin) 100  
 Plating min: Termination (µm) 2.5  
 Polarized to Mating Part Yes  
 Polarized to PCB Yes  
 Robotic Placement Vacuum Pick-Up Tape  
 Stackable No



**EU RoHS**

**ELV and RoHS Compliant**  
**REACH SVHC**  
 Not Reviewed  
**Halogen-Free Status**  
**Not Reviewed**

**China RoHS**



**Need more information on product environmental compliance?**

Email [productcompliance@molex.com](mailto:productcompliance@molex.com)  
 For a multiple part number RoHS Certificate of Compliance, [click here](#)

Please visit the [Contact Us](#) section for any non-product compliance questions.

**Search Parts in this Series**

[45802Series](#)

**Mates With**

[45830 HD Mezz™ Plug](#)

|                                |                 |
|--------------------------------|-----------------|
| Surface Mount Compatible (SMC) | Yes             |
| Temperature Range - Operating  | -55°C to +105°C |
| Termination Interface: Style   | Surface Mount   |

### **Electrical**

|                               |         |
|-------------------------------|---------|
| Current - Maximum per Contact | 2A      |
| Grounding to PCB              | No      |
| Voltage - Maximum             | 250V AC |

### **Solder Process Data**

|  |                           |
|--|---------------------------|
| Duration at Max. Process Temperature (seconds) | 20                        |
| Lead-free Process Capability                   | Reflow Capable (SMT only) |
| Max. Cycles at Max. Process Temperature        | 2                         |
| Process Temperature max. C                     | 260                       |

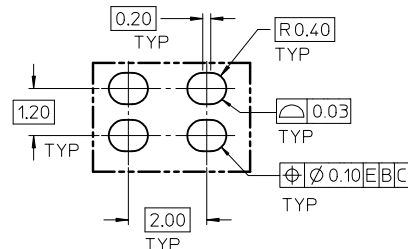
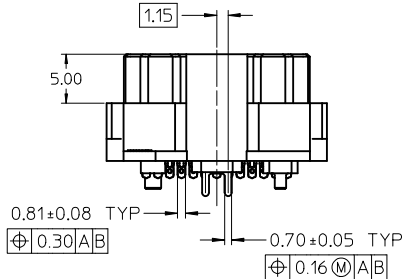
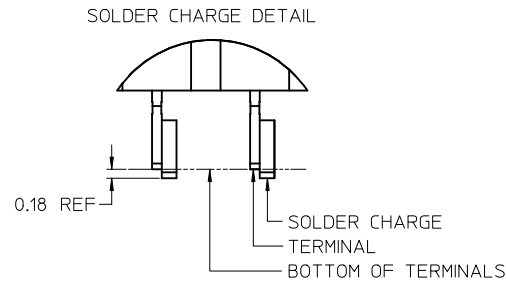
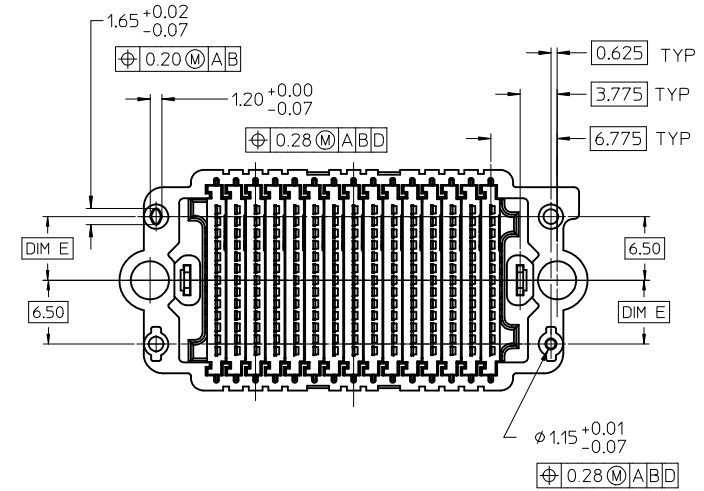
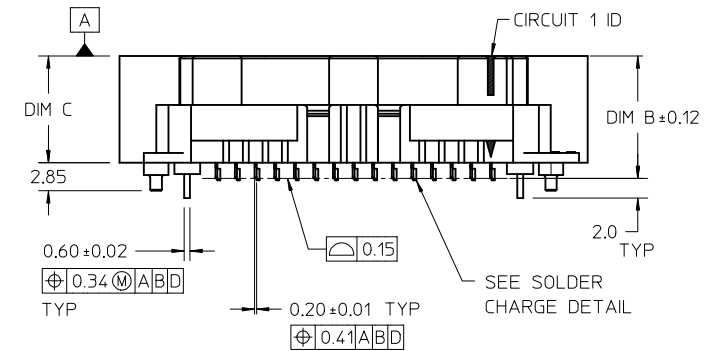
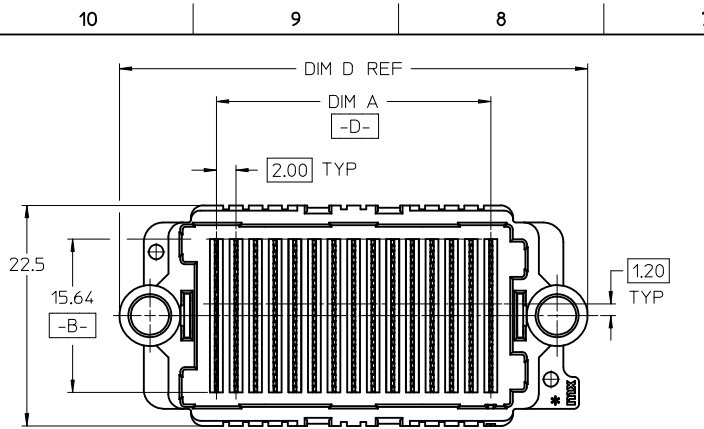
### **Material Info**

#### **Reference - Drawing Numbers**

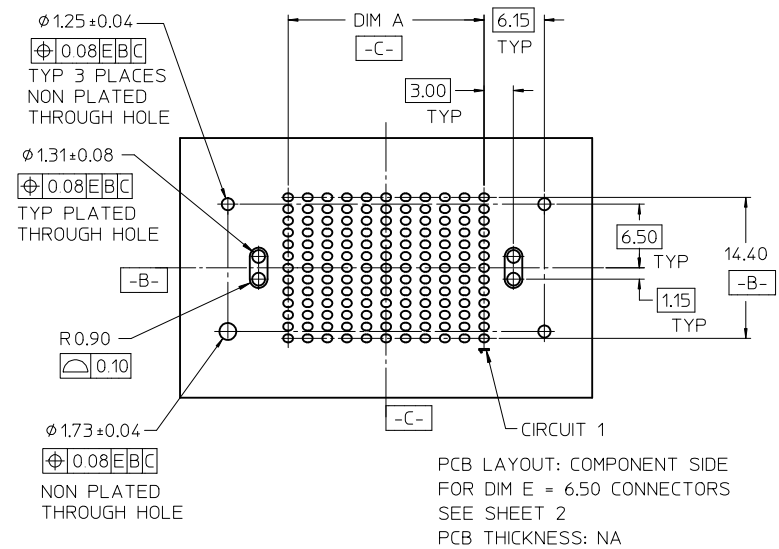
|                       |              |
|-----------------------|--------------|
| Product Specification | PS-45802-001 |
| Sales Drawing         | SD-45802-001 |

This document was generated on 04/14/2010

**PLEASE CHECK [WWW.MOLEX.COM](http://WWW.MOLEX.COM) FOR LATEST PART INFORMATION**

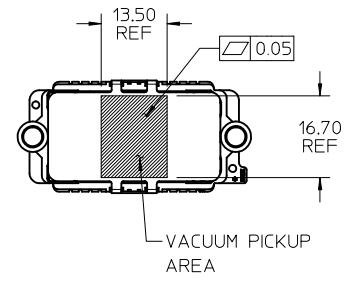


- NOTES:
- HOUSING MATERIAL: LCP, GLASS FILLED, UL 94V-0, BLACK  
CONTACT MATERIAL: HIGH PERFORMANCE ALLOY  
SOLDER NAIL MATL: STAINLESS STEEL  
SOLDER CHARGE MATL: SEE CHART
  - FINISH: SELECT GOLD 30 M.I. MIN IN CONTACT AREA  
SELECT TIN: 100 M.I. MIN IN PCB TAIL  
BOTH OVER NICKEL
  - PRODUCT SPECIFICATION: PS-45802-001
  - COSMETIC SPECIFICATION, PS-45499-002 CLASS B
  - PACKAGING SPECIFICATION: PK-45802-001
  - DATUM -D- IS THE CENTERLINE OF THE 2 END SLOTS. END SLOT CENTERLINES ARE ESTABLISHED USING 2 MEASUREMENTS FOR EACH SLOT TAKEN 7.20 EITHER SIDE OF DATUM -B-.
  - THERE ARE 13 CKTS PER ROW

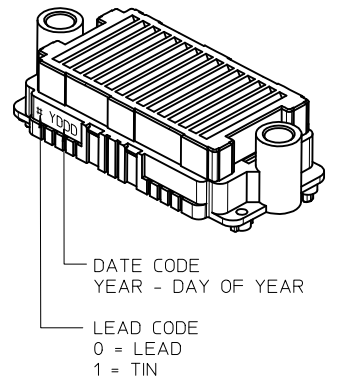


|   |                 |   |  |   |              |                        |
|---|-----------------|---|--|---|--------------|------------------------|
| <b>UPDATE</b><br>EC NO: UCP2010-2574<br>DR: MNSAMIEC 2010/05/05<br>CHKD: PELOZA 05/02/07<br>APPR: JCOMERCI 2010/05/07 | QUALITY SYMBOLS | GENERAL TOLERANCES (UNLESS SPECIFIED)   | DIMENSION STYLE  | SCALE   | DESIGN UNITS | THIRD ANGLE PROJECTION |
|   | DESCRIPTION     | mm  | MM ONLY  | 2:1   | METRIC       |                        |
|   |                 | INCH  |  |   |              |                        |
|   |                 | 4 PLACES ± --- ± ---<br>3 PLACES ± 0.050 ± ---<br>2 PLACES ± 0.15 ± ---<br>1 PLACE ± 0.3 ± ---<br>ANGULAR ± 1/2°              | DRAWN BY<br>PELOZA<br>CHECKED BY<br>PELOZA<br>APPROVED BY<br>JCOMERCI<br>MATERIAL NO.<br>SEE CHART<br>DATE<br>05/02/04<br>DATE<br>05/02/07<br>DATE<br>2009/12/23 | TITLE<br><b>HIGH DENSITY MEZZANINE RECEPTACLE ASSEMBLY</b><br>Molex<br><b>MOLEX INCORPORATED</b><br>DOCUMENT NO.<br><b>SD-45802-001</b> |              |                        |
| DRAFT WHERE APPLICABLE MUST REMAIN WITHIN DIMENSIONS  | SIZE B          | THIS DRAWING CONTAINS INFORMATION THAT IS PROPRIETARY TO MOLEX INCORPORATED AND SHOULD NOT BE USED WITHOUT WRITTEN PERMISSION | SHEET NO. 1 OF 3   |   |              |                        |

|                                     |               | 10    | 9          | 8           | 7           | 6           | 5           | 4           | 3           | 2           | 1           |             |            |
|-------------------------------------|---------------|-------|------------|-------------|-------------|-------------|-------------|-------------|-------------|-------------|-------------|-------------|------------|
| TIN / LEAD PARTS<br>LEAD CODE = "0" | STACK HEIGHT: |       | 8 mm       | 9 mm        | 10 mm       | 11 mm       | 12 mm       | 13 mm       | 14 mm       | 15 mm       | 17 mm       | 18 mm       |            |
|                                     | DIM B:        |       | 10.51      | 11.51       | 12.51       | 13.51       | 14.51       | 15.51       | 16.51       | 17.51       | 19.51       | 20.51       |            |
|                                     | DIM C:        |       | 8.90       | 9.90        | 10.90       | 11.90       | 12.90       | 13.90       | 14.90       | 15.90       | 17.90       | 18.90       |            |
|                                     | ROWS          | DIM A | DIM D      | MATERIAL No | MATERIAL No | MATERIAL No | MATERIAL No | MATERIAL No | MATERIAL No | MATERIAL No | MATERIAL No | MATERIAL No |            |
|                                     | 07            | 12.00 | 31.89      | 45802-0007  | 45802-3007  | 45802-2007  | 45802-8007  | 45802-4007  | 45802-9007  | 45802-6007  | 45802-7007  | 45802-5007  | 45802-1007 |
|                                     | 09            | 16.00 | 35.89      | 45802-0009  | 45802-3009  | 45802-2009  | 45802-8009  | 45802-4009  | 45802-9009  | 45802-6009  | 45802-7009  | 45802-5009  | 45802-1009 |
|                                     | 11            | 20.00 | 39.89      | 45802-0011  | 45802-3011  | 45802-2011  | 45802-8011  | 45802-4011  | 45802-9011  | 45802-6011  | 45802-7011  | 45802-5011  | 45802-1011 |
|                                     | 13            | 24.00 | 43.89      | 45802-0013  | 45802-3013  | 45802-2013  | 45802-8013  | 45802-4013  | 45802-9013  | 45802-6013  | 45802-7013  | 45802-5013  | 45802-1013 |
|                                     | 15            | 28.00 | 47.89      | 45802-0015  | 45802-3015  | 45802-2015  | 45802-8015  | 45802-4015  | 45802-9015  | 45802-6015  | 45802-7015  | 45802-5015  | 45802-1015 |
|                                     | 17            | 32.00 | 51.89      | 45802-0017  | 45802-3017  | 45802-2017  | 45802-8017  | 45802-4017  | 45802-9017  | 45802-6017  | 45802-7017  | 45802-5017  | 45802-1017 |
|                                     | 19            | 36.00 | 55.89      | 45802-0019  | 45802-3019  | 45802-2019  | 45802-8019  | 45802-4019  | 45802-9019  | 45802-6019  | 45802-7019  | 45802-5019  | 45802-1019 |
|                                     | 21            | 40.00 | 59.89      | 45802-0021  | 45802-3021  | 45802-2021  | 45802-8021  | 45802-4021  | 45802-9021  | 45802-6021  | 45802-7021  | 45802-5021  | 45802-1021 |
|                                     | 23            | 44.00 | 63.89      | 45802-0123  | 45802-3023  | 45802-2023  | 45802-8023  | 45802-4023  | 45802-9023  | 45802-6023  | 45802-7023  | 45802-5023  | 45802-1123 |
| 25                                  | 48.00         | 67.89 | 45802-0025 | 45802-3025  | 45802-2025  | 45802-8025  | 45802-4025  | 45802-9025  | 45802-6025  | 45802-7025  | 45802-5025  | 45802-1025  |            |
| 27                                  | 52.00         | 71.89 | 45802-0027 | 45802-3027  | 45802-2027  | 45802-8027  | 45802-4027  | 45802-9027  | 45802-6027  | 45802-7027  | 45802-5027  | 45802-1027  |            |



|                              |               | 10    | 9          | 8           | 7           | 6           | 5           | 4           | 3           | 2           | 1           |             |            |
|------------------------------|---------------|-------|------------|-------------|-------------|-------------|-------------|-------------|-------------|-------------|-------------|-------------|------------|
| TIN PARTS<br>LEAD CODE = "2" | STACK HEIGHT: |       | 8 mm       | 9 mm        | 10 mm       | 11 mm       | 12 mm       | 13 mm       | 14 mm       | 15 mm       | 17 mm       | 18 mm       |            |
|                              | DIM B:        |       | 10.51      | 11.51       | 12.51       | 13.51       | 14.51       | 15.51       | 16.51       | 17.51       | 19.51       | 20.51       |            |
|                              | DIM C:        |       | 8.90       | 9.90        | 10.90       | 11.90       | 12.90       | 13.90       | 14.90       | 15.90       | 17.90       | 18.90       |            |
|                              | ROWS          | DIM A | DIM D      | MATERIAL No | MATERIAL No | MATERIAL No | MATERIAL No | MATERIAL No | MATERIAL No | MATERIAL No | MATERIAL No | MATERIAL No |            |
|                              | 07            | 12.00 | 31.89      | 45802-0207  | 45802-3207  | 45802-2207  | 45802-8207  | 45802-4207  | 45802-9207  | 45802-6207  | 45802-7207  | 45802-5207  | 45802-1207 |
|                              | 09            | 16.00 | 35.89      | 45802-0209  | 45802-3209  | 45802-2209  | 45802-8209  | 45802-4209  | 45802-9209  | 45802-6209  | 45802-7209  | 45802-5209  | 45802-1209 |
|                              | 11            | 20.00 | 39.89      | 45802-0311  | 45802-3211  | 45802-2211  | 45802-8211  | 45802-4211  | 45802-9211  | 45802-6211  | 45802-7211  | 45802-5211  | 45802-1211 |
|                              | 13            | 24.00 | 43.89      | 45802-0213  | 45802-3213  | 45802-2213  | 45802-8213  | 45802-4213  | 45802-9213  | 45802-6213  | 45802-7213  | 45802-5213  | 45802-1213 |
|                              | 15            | 28.00 | 47.89      | 45802-0215  | 45802-3215  | 45802-2215  | 45802-8215  | 45802-4215  | 45802-9215  | 45802-6215  | 45802-7215  | 45802-5215  | 45802-1215 |
|                              | 17            | 32.00 | 51.89      | 45802-0217  | 45802-3217  | 45802-2217  | 45802-8217  | 45802-4217  | 45802-9217  | 45802-6217  | 45802-7217  | 45802-5217  | 45802-1217 |
|                              | 19            | 36.00 | 55.89      | 45802-0219  | 45802-3219  | 45802-2219  | 45802-8219  | 45802-4219  | 45802-9219  | 45802-6219  | 45802-7219  | 45802-5219  | 45802-1219 |
|                              | 21            | 40.00 | 59.89      | 45802-0221  | 45802-3221  | 45802-2221  | 45802-8221  | 45802-4221  | 45802-9221  | 45802-6221  | 45802-7221  | 45802-5221  | 45802-1221 |
|                              | 23            | 44.00 | 63.89      | 45802-0223  | 45802-3223  | 45802-2223  | 45802-8223  | 45802-4223  | 45802-9223  | 45802-6223  | 45802-7223  | 45802-5223  | 45802-1223 |
| 25                           | 48.00         | 67.89 | 45802-0225 | 45802-3225  | 45802-2225  | 45802-8225  | 45802-4225  | 45802-9225  | 45802-6225  | 45802-7225  | 45802-5225  | 45802-1225  |            |
| 27                           | 52.00         | 71.89 | 45802-0227 | 45802-3227  | 45802-2227  | 45802-8227  | 45802-4227  | 45802-9227  | 45802-6227  | 45802-7227  | 45802-5227  | 45802-1227  |            |



DIM E = 6.50 ON ALL PART NO.  
ON THIS SHEET

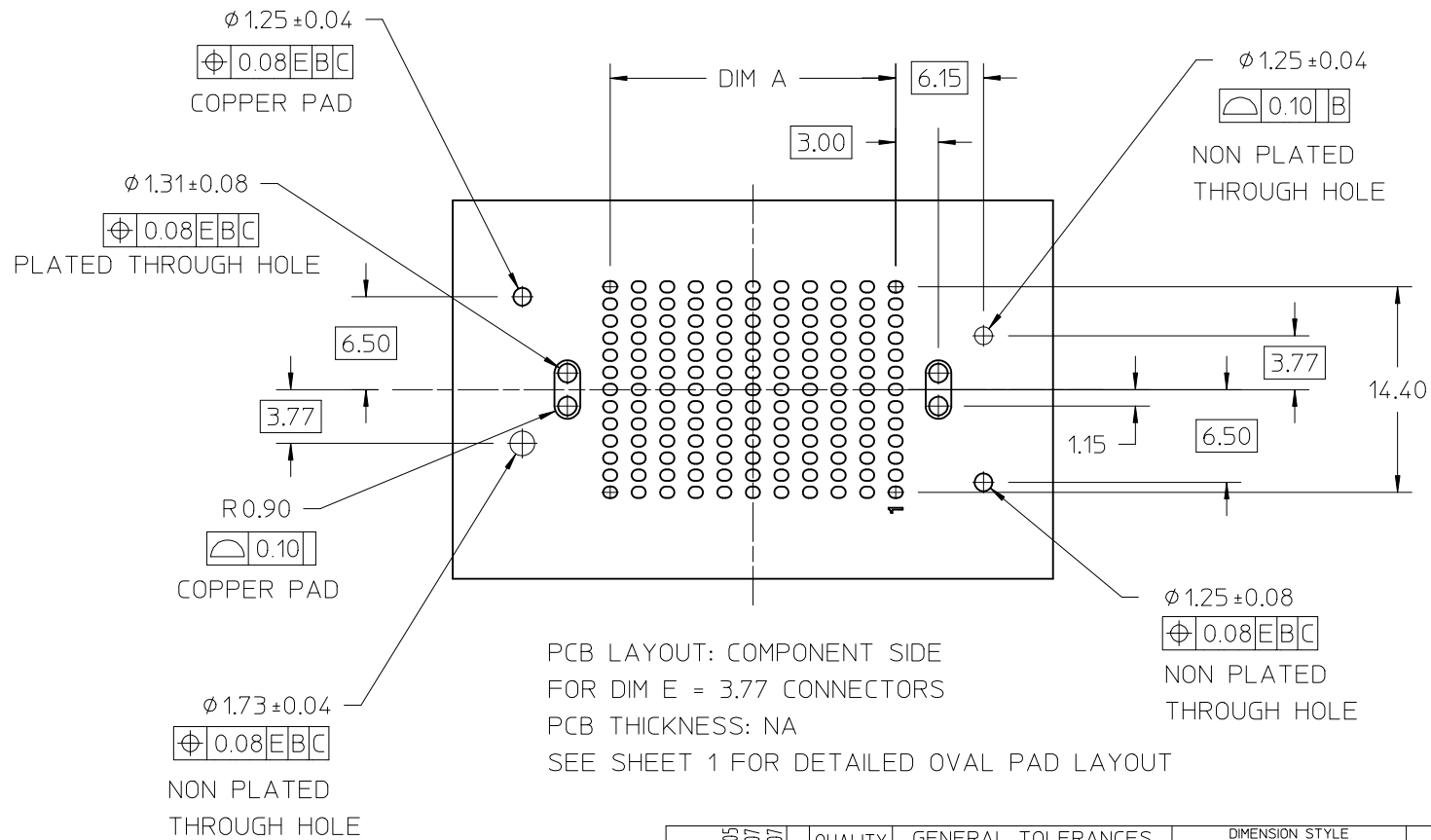
SEE SHEET 1  
EC NO: UCP2010-2574  
DRAWN:KSM/IEC 2010/05/05  
CHKD:PELOZA 05/02/07  
APPR:JCOMERCI 2010/05/07  
REV DESCRIPTION

GENERAL TOLERANCES (UNLESS SPECIFIED)  
4 PLACES ± --- ± ---  
3 PLACES ± 0.050 ± ---  
2 PLACES ± 0.15 ± ---  
1 PLACE ± 0.3 ± ---  
ANGULAR ± 1/2°  
DRAFT WHERE APPLICABLE MUST REMAIN WITHIN DIMENSIONS

DIMENSION STYLE  
MM ONLY  
DRAWN BY DATE  
PELOZA 05/02/04  
CHECKED BY DATE  
PELOZA 05/02/07  
APPROVED BY DATE  
JCOMERCI 2009/12/23  
MATERIAL NO.  
SEE CHART

SCALE 1:1  
DESIGN UNITS METRIC  
THIRD ANGLE PROJECTION  
TITLE HIGH DENSITY MEZZANINE RECEPTACLE ASSEMBLY  
MOLEX INCORPORATED  
DOCUMENT NO. SD-45802-001  
SHEET NO. 2 OF 3  
THIS DRAWING CONTAINS INFORMATION THAT IS PROPRIETARY TO MOLEX INCORPORATED AND SHOULD NOT BE USED WITHOUT WRITTEN PERMISSION

DIM E = 3.77 ON ALL PART NO.  
ON THIS SHEET



PCB LAYOUT: COMPONENT SIDE  
FOR DIM E = 3.77 CONNECTORS  
PCB THICKNESS: NA  
SEE SHEET 1 FOR DETAILED OVAL PAD LAYOUT

| LEAD CODE = "0" |               |       |             |
|-----------------|---------------|-------|-------------|
|                 | STACK HEIGHT: | 18 mm |             |
|                 | DIM B:        | 20.51 |             |
|                 | DIM C:        | 18.90 |             |
| ROWS            | DIM A         | DIM D | MATERIAL No |
| 07              | 12.00         | 31.89 | 45802-1507  |
| 09              | 16.00         | 35.89 | 45802-1509  |
| 11              | 20.00         | 39.89 | 45802-1511  |
| 13              | 24.00         | 43.89 | 45802-1513  |
| 15              | 28.00         | 47.89 | 45802-1515  |
| 17              | 32.00         | 51.89 | 45802-1517  |
| 19              | 36.00         | 55.89 | 45802-1519  |
| 21              | 40.00         | 59.89 | 45802-1521  |
| 23              | 44.00         | 63.89 | 45802-1523  |
| 25              | 48.00         | 67.89 | 45802-1525  |
| 27              | 52.00         | 71.89 | 45802-1527  |

| LEAD CODE = "2" |               |       |             |
|-----------------|---------------|-------|-------------|
|                 | STACK HEIGHT: | 18 mm |             |
|                 | DIM B:        | 20.51 |             |
|                 | DIM C:        | 18.90 |             |
| ROWS            | DIM A         | DIM D | MATERIAL No |
| 07              | 12.00         | 31.89 | 45802-1607  |
| 09              | 16.00         | 35.89 | 45802-1609  |
| 11              | 20.00         | 39.89 | 45802-1611  |
| 13              | 24.00         | 43.89 | 45802-1613  |
| 15              | 28.00         | 47.89 | 45802-1615  |
| 17              | 32.00         | 51.89 | 45802-1617  |
| 19              | 36.00         | 55.89 | 45802-1619  |
| 21              | 40.00         | 59.89 | 45802-1621  |
| 23              | 44.00         | 63.89 | 45802-1623  |
| 25              | 48.00         | 67.89 | 45802-1625  |
| 27              | 52.00         | 71.89 | 45802-1627  |

|  |   |  |            |                                   |          |   |                        |                        |  |
|--|---|--|------------|-----------------------------------|----------|---|------------------------|------------------------|--|
| <b>ENTER DESCRIPTION</b><br>EC NO: UCP2010-2574<br>DRWKSAMIEC 2010/05/05<br>CHKD:PELOZA 05/02/07<br>APPR:JCOMERCI 2010/05/07<br>D2 | <b>QUALITY SYMBOLS</b><br>F=0<br>F=0<br>F=0 | <b>GENERAL TOLERANCES (UNLESS SPECIFIED)</b> |            | <b>DIMENSION STYLE</b><br>MM ONLY |          | SCALE<br>3:1  | DESIGN UNITS<br>METRIC | THIRD ANGLE PROJECTION |  |
|  |   | mm   | INCH       | DRAWN BY                          | DATE     | TITLE<br>HIGH DENSITY MEZZANINE RECEPTACLE ASSEMBLY |                        |                        |  |
|  |   | 4 PLACES ± ---                               | ± ---      | PELOZA                            | 05/02/04 |   |                        |                        |  |
|  |   | 3 PLACES ± 0.050                             | ± ---      | CHECKED BY                        | DATE     | MOLEX INCORPORATED                                  |                        |                        |  |
| 2 PLACES ± 0.15  | ± ---                                       | PELOZA                                       | 05/02/07   |                                   |          |   |                        |                        |  |
| 1 PLACE ± 0.3  | ± ---                                       | APPROVED BY                                  | DATE       | DOCUMENT NO.<br>SD-45802-001      |          |   |                        |                        |  |
| ANGULAR ±1/2°  |   | JCOMERCI                                     | 2009/12/23 |                                   |          |   |                        |                        |  |
| DRAFT WHERE APPLICABLE<br>MUST REMAIN<br>WITHIN DIMENSIONS   |   | MATERIAL NO.<br>SEE CHART                    |            | SHEET NO.<br>3 OF 3               |          |   |                        |                        |  |



Компания «ЭлектроПласт» предлагает заключение долгосрочных отношений при поставках импортных электронных компонентов на взаимовыгодных условиях!

Наши преимущества:

- Оперативные поставки широкого спектра электронных компонентов отечественного и импортного производства напрямую от производителей и с крупнейших мировых складов;
- Поставка более 17-ти миллионов наименований электронных компонентов;
- Поставка сложных, дефицитных, либо снятых с производства позиций;
- Оперативные сроки поставки под заказ (от 5 рабочих дней);
- Экспресс доставка в любую точку России;
- Техническая поддержка проекта, помощь в подборе аналогов, поставка прототипов;
- Система менеджмента качества сертифицирована по Международному стандарту ISO 9001;
- Лицензия ФСБ на осуществление работ с использованием сведений, составляющих государственную тайну;
- Поставка специализированных компонентов (Xilinx, Altera, Analog Devices, Intersil, Interpoint, Microsemi, Aeroflex, Peregrine, Syfer, Eurofarad, Texas Instrument, Miteq, Cobham, E2V, MA-COM, Hittite, Mini-Circuits, General Dynamics и др.);

Помимо этого, одним из направлений компании «ЭлектроПласт» является направление «Источники питания». Мы предлагаем Вам помощь Конструкторского отдела:

- Подбор оптимального решения, техническое обоснование при выборе компонента;
- Подбор аналогов;
- Консультации по применению компонента;
- Поставка образцов и прототипов;
- Техническая поддержка проекта;
- Защита от снятия компонента с производства.



#### Как с нами связаться

**Телефон:** 8 (812) 309 58 32 (многоканальный)

**Факс:** 8 (812) 320-02-42

**Электронная почта:** [org@eplast1.ru](mailto:org@eplast1.ru)

**Адрес:** 198099, г. Санкт-Петербург, ул. Калинина, дом 2, корпус 4, литера А.