

| ITEM | Q'TY | PART NUMBER | PART DESCRIPTION                         |
|------|------|-------------|--|
| 1    | 1    | 5XX-F       | T-1¼ (5mm) Flanged LED, See Pages 2 to 4 |
| 2    | 1    | ELM1-XXX    | Extruded, Self-Retaining LED Spacer      |

| REV. | DESCRIPTION                                 | DATE     | APPROVED |
|------|---|----------|----------|
| F    | Updated Specs.                              | 09/23/08 | M. C.    |
| G    | Added P/N Designation Note.                 | 07/22/09 | T. Y.    |
| H    | Added ELM12205SRDLT.                        | 01/19/11 | T. Y.    |
| J    | Added Tape & Reel Options.                  | 06/06/11 | T. Y.    |
| K    | Tape & Reel Design Update.                  | 11/15/11 | T. Y.    |
| M    | LED Offering List Update.                   | 07/26/12 | T. Y.    |
| N    | Removed LED Duplication From Offering List. | 11/09/12 | T. Y.    |



| BI-COLOR POLARITY |             |             |
|-------------------|-------------|-------------|
| LED P/N           | (1) Cathode | (2) Cathode |
| 5BC-F             | Green       | Red         |
| 5BC-Y/G-F         | Green       | Yellow      |
| 5BC-R/Y-F         | Yellow      | Red         |
| 5BC-A/G-F         | Green       | Amber       |

**ELM1XXX5XX**

ELM Series

5mm LED, Emitted Color and Lens Appearance

ELM Spacer Length "L"  
-i.e. 0.120" length, use 120  
-For metric, use whole number. i.e. 2MM, 10MM



### ABSOLUTE MAXIMUM RATINGS (Ta=25°C)

|   |       |                      |
|---|-------|----------------------|
| REVERSE VOLTAGE                             | _____ | 5V                   |
| REVERSE CURRENT                             | _____ | 100µA                |
| OPERATING TEMPERATURE RANGE                 | _____ | -25° C - 85° C       |
| STORAGE TEMPERATURE                         | _____ | -30° C - 100° C      |
| LEAD SOLDERING TEMPERATURE(1/16" FROM BODY) | _____ | 260° C FOR 5 SECONDS |

|   |                       |  |                       |
|---|-----------------------|--|-----------------------|
| STANDARD TOLERANCE (UNLESS OTHERWISE SPECIFIED) |                       | <br><b>BIVAR</b> ®<br>4 THOMAS, IRVINE, CA. 92618<br>TEL: (949) 951-8808 FAX: (949) 951-3974 |                       |
| DECIMALS  | ANGULAR               |  |                       |
| .X ± .1   | X° ± 1°               |  |                       |
| .XX ± .02                                       |                       | <br><b>TITLE:</b> EXTRUDED VERTICAL T-1¼ (5mm) LED NARROW PROFILE ASSY                       |                       |
| .XXX ± .010                                     |                       |  |                       |
| DESIGNED: <b>Mlnh Doan</b>                      | DATE: <b>07/26/12</b> | <b>PART NO:</b> ELM1XXX5XX<br><b>REVISION:</b> N   |                       |
| CHECKED: <b>T. Yin</b>                          | DATE: <b>07/26/12</b> |  |                       |
|   |                       | <b>CAGE CODE :</b> 32559   | <b>SHEET # 1 OF 5</b> |
| CAD GENERATED DOCUMENT, DO NOT MEASURE DRAWING. |                       |  |                       |


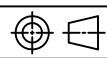
|      |              |      |          |
|------|--------------|------|----------|
| REV. | DESCRIPTION  | DATE | APPROVED |
|      | SEE SHEET#1. |      |          |

| LED Assy. No.  | Chip      |                  |               | Lens Appearance | Electro-Optical Data @ 20mA |        |     |          | Viewing Angle 2 θ ½ (Deg) | LED P/N   |     |
|----------------|-----------|------------------|---------------|-----------------|-----------------------------|--------|-----|----------|---------------------------|-----------|-----|
|                | Material  | Peak Wave Length | Emitted Color |                 | If (mA)                     | Vf (V) |     | Iv (mcd) |                           |           |     |
|                |           |                  |               |                 |                             | MAX    | TYP | MAX      |                           |           | TYP |
| ELM1XXX5BWC    | GaN/SiC   | 430              | BLUE          | WATER CLEAR     | 25                          | 4      | 4.5 | 25       | 20                        | 5BWC-F    |     |
| ELM1XXX5BWD    | GaN/SiC   | 430              | BLUE          | DIFFUSED        | 25                          | 4      | 4.5 | 15       | 45                        | 5BWD-F    |     |
| ELM1XXX5BWT    | GaN/SiC   | 430              | BLUE          | TINTED          | 25                          | 4      | 4.5 | 30       | 20                        | 5BWT-F    |     |
| ELM1XXX5GC     | GaP/GaP   | 568              | GREEN         | WATER CLEAR     | 30                          | 2.1    | 2.8 | 40       | 35                        | 5GC-F     |     |
| ELM1XXX5GD     | GaP/GaP   | 568              | GREEN         | DIFFUSED        | 30                          | 2.1    | 2.8 | 25       | 45                        | 5GD-F     |     |
| ELM1XXX5GT     | GaP/GaP   | 568              | GREEN         | TINTED          | 30                          | 2.1    | 2.8 | 40       | 35                        | 5GT-F     |     |
| ELM1XXX5PGC    | GaP/GaP   | 555              | PURE GREEN    | WATER CLEAR     | 30                          | 2.2    | 2.8 | 10       | 35                        | 5PGC-F    |     |
| ELM1XXX5PGD    | GaP/GaP   | 555              | PURE GREEN    | DIFFUSED        | 30                          | 2.2    | 2.8 | 10       | 45                        | 5PGD-F    |     |
| ELM1XXX5PGT    | GaP/GaP   | 555              | PURE GREEN    | TINTED          | 30                          | 2.2    | 2.8 | 10       | 35                        | 5PGT-F    |     |
| ELM1XXX5YC     | GaAsP/GaP | 590              | YELLOW        | WATER CLEAR     | 30                          | 2      | 2.8 | 40       | 35                        | 5YC-F     |     |
| ELM1XXX5YD     | GaAsP/GaP | 590              | YELLOW        | DIFFUSED        | 30                          | 2      | 2.8 | 25       | 45                        | 5YD-F     |     |
| ELM1XXX5YT     | GaAsP/GaP | 590              | YELLOW        | TINTED          | 30                          | 2      | 2.8 | 40       | 35                        | 5YT-F     |     |
| ELM1XXX5AC     | GaAsP/GaP | 605              | AMBER         | WATER CLEAR     | 30                          | 2      | 2.8 | 40       | 35                        | 5AC-F     |     |
| ELM1XXX5AD     | GaAsP/GaP | 605              | AMBER         | DIFFUSED        | 30                          | 2      | 2.8 | 25       | 45                        | 5AD-F     |     |
| ELM1XXX5AT     | GaAsP/GaP | 605              | AMBER         | TINTED          | 30                          | 2      | 2.8 | 40       | 35                        | 5AT-F     |     |
| ELM1XXX5HC     | GaAsP/GaP | 625              | HE RED        | WATER CLEAR     | 30                          | 2      | 2.8 | 40       | 35                        | 5HC-F     |     |
| ELM1XXX5HD     | GaAsP/GaP | 625              | HE RED        | DIFFUSED        | 30                          | 2      | 2.8 | 25       | 45                        | 5HD-F     |     |
| ELM1XXX5HT     | GaAsP/GaP | 625              | HE RED        | TINTED          | 30                          | 2      | 2.8 | 40       | 35                        | 5HT-F     |     |
| ELM1XXX5RC     | GaP/GaP   | 700              | RED           | WATER CLEAR     | 20                          | 2.1    | 2.8 | 2        | 35                        | 5RC-F     |     |
| ELM1XXX5RD     | GaP/GaP   | 700              | RED           | DIFFUSED        | 20                          | 2.1    | 2.8 | 2        | 45                        | 5RD-F     |     |
| ELM1XXX5RT     | GaP/GaP   | 700              | RED           | TINTED          | 20                          | 2.1    | 2.8 | 2        | 35                        | 5RT       |     |
| ELM1XXX5BC-A/G | GaAsP/GaP | 605              | AMBER         | WHITE DIFFUSED  | 30                          | 2.0    | 2.8 | 6        | 45                        | 5BC-A/G-F |     |
|                | GaP/GaP   | 568              | GREEN         |                 | 30                          | 2.1    | 2.8 | 6        |                           |           |     |
| ELM1XXX5BC     | GaAsP/GaP | 625              | RED           | WHITE DIFFUSED  | 30                          | 2.0    | 2.8 | 6        | 45                        | 5BC-F     |     |
|                | GaP/GaP   | 568              | GREEN         |                 | 30                          | 2.1    | 2.8 | 8        |                           |           |     |
| ELM1XXX5BC-R/Y | GaAsP/GaP | 625              | RED           | WHITE DIFFUSED  | 30                          | 2.0    | 2.8 | 6        | 45                        | 5BC-R/Y-F |     |
|                | GaAsP/GaP | 590              | YELLOW        |                 | 30                          | 2.0    | 2.8 | 5        |                           |           |     |
| ELM1XXX5BC-Y/G | GaAsP/GaP | 590              | YELLOW        | WHITE DIFFUSED  | 30                          | 2.0    | 2.8 | 5        | 45                        | 5BC-Y/G-F |     |
|                | GaP/GaP   | 568              | GREEN         |                 | 30                          | 2.1    | 2.8 | 8        |                           |           |     |

|   |                          |  |                       |
|---|--------------------------|--|-----------------------|
| STANDARD TOLERANCE<br>( UNLESS OTHERWISE SPECIFIED )<br>±10% ALL VALUES               |                          | <br><b>BIVAR</b> <sup>®</sup><br>4 THOMAS, IRVINE, CA. 92618<br>TEL: (949) 951-8808 FAX: (949) 951-3974 |                       |
| ANGULAR<br>X° ± 5°  |                          |  |                       |
|  |                          | TITLE: EXTRUDED VERTICAL T-1¼<br>(5mm) LED NARROW PROFILE ASSY   |                       |
| DESIGNED:<br><b>Minh Doan</b>   | DATE:<br><b>07/26/12</b> | PART NO:<br><b>ELM1XXX5XX</b>  | REVISION:<br><b>N</b> |
| CHECKED:<br><b>T. Yin</b>   | DATE:<br><b>07/26/12</b> | CAGE CODE : <b>32559</b>   | SHEET # <b>2 OF 5</b> |
| CAD GENERATED DOCUMENT, DO NOT MEASURE DRAWING.                                       |                          |  |                       |

|      |              |      |          |
|------|--------------|------|----------|
| REV. | DESCRIPTION  | DATE | APPROVED |
|      | SEE SHEET#1. |      |          |

| LED Assy. No. | Chip        |                  |               | Lens Appearance | Electro-Optical Data @ 20mA |        |     |          | Viewing Angle<br>2 θ ½<br>(Deg) | LED P/N    |
|---------------|-------------|------------------|---------------|-----------------|-----------------------------|--------|-----|----------|---------------------------------|------------|
|               | Material    | Peak Wave Length | Emitted Color |                 | If (mA)                     | Vf (V) |     | Iv (mcd) |                                 |            |
|               |             |                  |               |                 | MAX                         | TYP    | MAX | TYP      |                                 |            |
| EML1XXX5UBWC  | InGaN/SiC   | 468              | BLUE          | WATER CLEAR     | 76                          | 3.7    | 4.5 | 2500     | 15                              | 5BWC2.515F |
| ELM1XXX5SGC   | GaP/GaP     | 568              | GREEN         | WATER CLEAR     | 30                          | 2.1    | 2.8 | 60       | 35                              | 5SGC-F     |
| ELM1XXX5SGD   | GaP/GaP     | 568              | GREEN         | DIFFUSED        | 30                          | 2.1    | 2.8 | 50       | 40                              | 5SGD-F     |
| ELM1XXX5SGT   | GaP/GaP     | 568              | GREEN         | TINTED          | 30                          | 2.1    | 2.8 | 60       | 35                              | 5SGT-F     |
| ELM1XXX5SYC   | GaAsP/GaP   | 590              | YELLOW        | WATER CLEAR     | 30                          | 2.0    | 2.8 | 600      | 35                              | 5SYC-F     |
| ELM1XXX5SYD   | GaAsP/GaP   | 590              | YELLOW        | DIFFUSED        | 30                          | 2.0    | 2.8 | 150      | 40                              | 5SYD-F     |
| ELM1XXX5SYT   | GaAsP/GaP   | 590              | YELLOW        | TINTED          | 30                          | 2.0    | 2.8 | 600      | 35                              | 5SYT-F     |
| ELM1XXX5SRC   | GaAlAs/GaAs | 645              | SUPER RED     | WATER CLEAR     | 30                          | 1.7    | 2.4 | 60       | 35                              | 5SRC-F     |
| ELM1XXX5SRD   | GaAlAs/GaAs | 645              | SUPER RED     | DIFFUSED        | 30                          | 1.7    | 2.4 | 40       | 40                              | 5SRD-F     |
| ELM1XXX5SRT   | GaAlAs/GaAs | 645              | SUPER RED     | TINTED          | 30                          | 1.7    | 2.4 | 60       | 35                              | 5SRT-F     |
| ELM1XXX5UGC   | AlGaInP     | 570              | GREEN         | WATER CLEAR     | 30                          | 2.1    | 2.4 | 400      | 35                              | 5UGC-F     |
| ELM1XXX5SUGC  | AlGaInP     | 570              | GREEN         | WATER CLEAR     | 30                          | 2.1    | 2.4 | 300      | 35                              | 5SUGC-F    |
| ELM1XXX5UYC   | AlGaInP     | 590              | YELLOW        | WATER CLEAR     | 30                          | 2.0    | 2.4 | 1000     | 30                              | 5UYC-F     |
| ELM1XXX5SUYC  | AlGaInP     | 590              | YELLOW        | WATER CLEAR     | 30                          | 2.0    | 2.4 | 700      | 35                              | 5SUYC-F    |
| ELM1XXX5UUYC  | AlGaInP     | 590              | YELLOW        | WATER CLEAR     | 30                          | 2.0    | 2.4 | 500      | 35                              | 5UUYC-F    |
| ELM1XXX5UOC   | AlGaInP     | 625              | ORANGE        | WATER CLEAR     | 30                          | 1.8    | 2.4 | 1400     | 35                              | 5UOC-F     |
| ELM1XXX5UOC   | AlGaInP     | 625              | ORANGE        | WATER CLEAR     | 30                          | 1.8    | 2.4 | 1300     | 35                              | 5SUOC-F    |
| ELM1XXX5URC   | GaAlAs/GaAs | 645              | RED           | WATER CLEAR     | 30                          | 1.7    | 2.4 | 400      | 30                              | 5URC-F     |
| ELM1XXX5SURC  | AlGaInP     | 640              | RED           | WATER CLEAR     | 30                          | 1.8    | 2.4 | 500      | 35                              | 5SURC-F    |
| ELM1XXX5UWC   | InGaN/SiC   | 6500K            | WHITE         | WATER CLEAR     | 100                         | 3.5    | 4.2 | 2700     | 30                              | 5WC2.730F  |

|   |  |   |  |
|---|--|---|--|
| STANDARD TOLERANCE<br>( UNLESS OTHERWISE SPECIFIED )<br>±10% ALL VALUES |  | <br><b>BIVAR</b> ®<br>4 THOMAS, IRVINE, CA. 92618<br>TEL: (949) 951-8808 FAX: (949) 951-3974 |  |
| ANGULAR<br>X° ± 5°  |  |   |  |
| DESIGNED:<br><b>Minh Doan</b>   |  | DATE:<br><b>07/26/12</b>  | <br><b>TITLE:</b> EXTRUDED VERTICAL T-1¼<br>(5mm) LED NARROW PROFILE ASSY<br><b>PART NO:</b> ELM1XXX5XX<br><b>REVISION:</b> N |
| CHECKED:<br><b>T. Yin</b>   |  | DATE:<br><b>07/26/12</b>  |  |
|   |  | <b>CAGE CODE :</b> 32559  | <b>SHEET #</b> 3 <b>OF</b> 5   |
| CAD GENERATED DOCUMENT, DO NOT MEASURE DRAWING.                         |  |   |  |

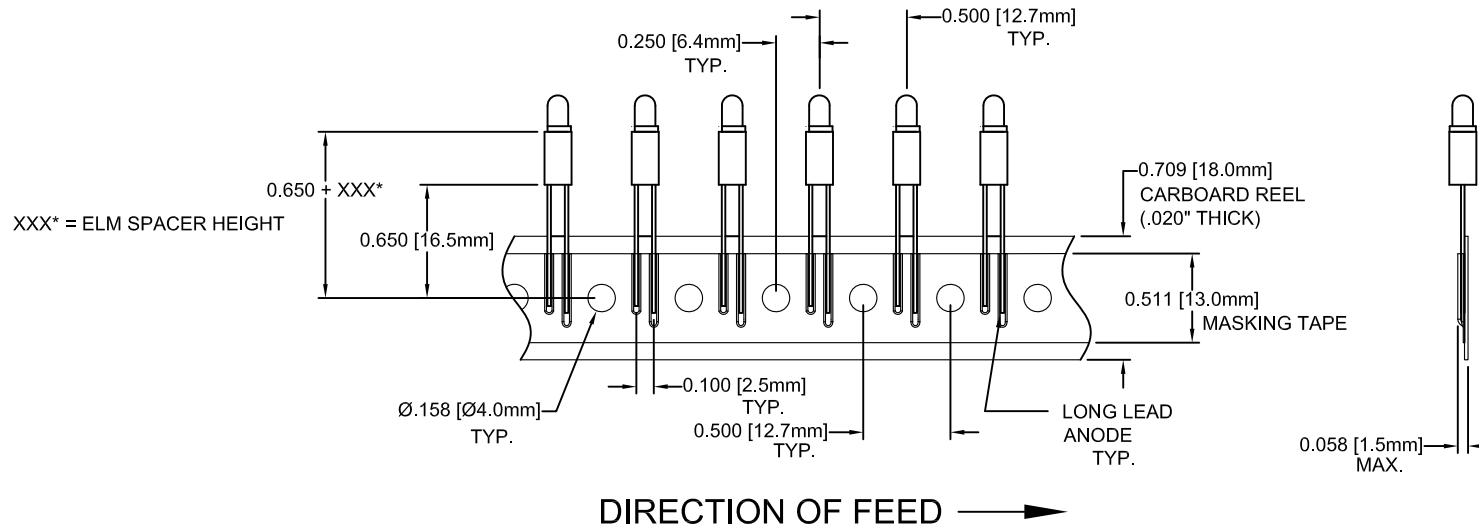
|      |              |      |          |
|------|--------------|------|----------|
| REV. | DESCRIPTION  | DATE | APPROVED |
|      | SEE SHEET#1. |      |          |

| LED Assy. No. | Peak Wave Length<br>$\lambda_p$ (nm) | Emitted Color | Lens Appearance | Max. Rating | Electro-Optical Data @ 2mA |     |             | Viewing Angle<br>2 $\theta$ ½<br>(Deg) | LED P/N |
|---------------|--------------------------------------|---------------|-----------------|-------------|----------------------------|-----|-------------|--|---------|
|               |                                      |               |                 | If<br>(mA)  | Vf<br>(V)                  |     | Iv<br>(mcd) |  |         |
|               |                                      |               |                 | MAX         | TYP                        | MAX | TYP         |  |         |
| ELM1XXX5BWDL  | 430                                  | BLUE          | DIFFUSED        | 7           | 3.8                        | 4.2 | 4           | 40                                     | 5BWDL-F |
| ELM1XXX5PGDL  | 555                                  | PURE GREEN    | DIFFUSED        | 7           | 2.1                        | 2.6 | 1           | 40                                     | 5PGDL-F |
| ELM1XXX5GDL   | 568                                  | GREEN         | DIFFUSED        | 7           | 2.1                        | 2.6 | 4           | 40                                     | 5GDL-F  |
| ELM1XXX5YDL   | 590                                  | YELLOW        | DIFFUSED        | 7           | 2.0                        | 2.6 | 4           | 40                                     | 5YDL-F  |
| ELM1XXX5ADL   | 605                                  | AMBER         | DIFFUSED        | 7           | 2.0                        | 2.6 | 4           | 40                                     | 5ADL-F  |
| ELM1XXX5HDL   | 625                                  | HE RED        | DIFFUSED        | 7           | 2.0                        | 2.6 | 5           | 40                                     | 5HDL-F  |
| ELM1XXX5SRDL  | 645                                  | SUPER RED     | DIFFUSED        | 7           | 1.7                        | 2.3 | 6           | 40                                     | 5SRDL-F |

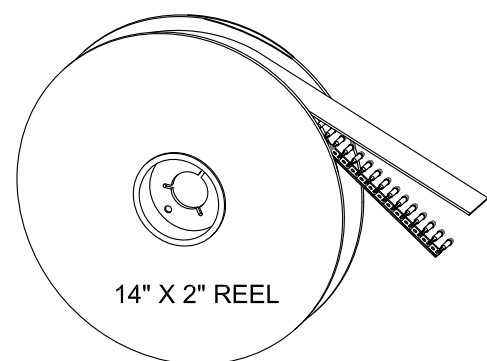
| Assembly P/N   | Peak Wave Length<br>$\lambda_p$ (nm) | Emitted Color | Lens Appearance | Electro-Optical Data |           |     |             | Viewing Angle<br>2 $\theta$ ½<br>(Deg) | LED P/N  |
|----------------|--------------------------------------|---------------|-----------------|----------------------|-----------|-----|-------------|--|----------|
|                |                                      |               |                 | If<br>(mA)           | Vf<br>(V) |     | Iv<br>(mcd) |  |          |
|                |                                      |               |                 | MAX                  | TYP       | MAX | TYP         |  |          |
| <b>5 Volt</b>  |                                      |               |                 | <b>Data @ 5V</b>     |           |     |             |  |          |
| ELM1XXX5BWD5V  | BLUE                                 | 430           | DIFFUSED        | -                    | -         | 5   | 15          | 40                                     | 5BWD5V-F |
| ELM1XXX5GC5V   | GREEN                                | 568           | WATER CLEAR     | -                    | -         | 5   | 40          | 40                                     | 5GC5V-F  |
| ELM1XXX5GD5V   | GREEN                                | 568           | DIFFUSED        | -                    | -         | 5   | 25          | 40                                     | 5GD5V-F  |
| ELM1XXX5GT5V   | GREEN                                | 568           | TINTED          | -                    | -         | 5   | 40          | 40                                     | 5GT5V-F  |
| ELM1XXX5AD5V   | AMBER                                | 605           | DIFFUSED        | -                    | -         | 5   | 25          | 40                                     | 5AD5V-F  |
| ELM1XXX5HD5V   | HE RED                               | 625           | DIFFUSED        | -                    | -         | 5   | 30          | 40                                     | 5HD5V-F  |
| ELM1XXX5RD5V   | RED                                  | 700           | DIFFUSED        | -                    | -         | 5   | 1.5         | 40                                     | 5RD5V-F  |
| ELM1XXX5YD5V   | YELLOW                               | 590           | DIFFUSED        | -                    | -         | 5   | 25          | 40                                     | 5YD5V-F  |
| <b>12 Volt</b> |                                      |               |                 | <b>Data @ 12V</b>    |           |     |             |  |          |
| ELM1XXX5GC12V  | GREEN                                | 568           | WATER CLEAR     | -                    | -         | 12  | 40          | 35                                     | 5GC12V-F |
| ELM1XXX5GD12V  | GREEN                                | 568           | DIFFUSED        | -                    | -         | 12  | 25          | 40                                     | 5GD12V-F |
| ELM1XXX5HC12V  | HE RED                               | 625           | WATER CLEAR     | -                    | -         | 12  | 50          | 35                                     | 5HC12V-F |
| ELM1XXX5HD12V  | HE RED                               | 625           | DIFFUSED        | -                    | -         | 12  | 30          | 40                                     | 5HD12V-F |
| ELM1XXX5RC12V  | RED                                  | 700           | WATER CLEAR     | -                    | -         | 12  | 2           | 35                                     | 5RC12V-F |
| ELM1XXX5RD12V  | RED                                  | 700           | DIFFUSED        | -                    | -         | 12  | 1.5         | 40                                     | 5RD12V-F |
| ELM1XXX5YC12V  | YELLOW                               | 590           | WATER CLEAR     | -                    | -         | 12  | 25          | 35                                     | 5YC12V-F |
| ELM1XXX5YD12V  | YELLOW                               | 590           | DIFFUSED        | -                    | -         | 12  | 20          | 40                                     | 5YD12V-F |

|   |                          |  |
|---|--------------------------|--|
| STANDARD TOLERANCE<br>( UNLESS OTHERWISE SPECIFIED )<br>$\pm 10\%$ ALL VALUES         |                          | <br><b>BIVAR</b> <sup>®</sup><br>4 THOMAS, IRVINE, CA. 92618<br>TEL: (949) 951-8808 FAX: (949) 951-3974 |
| ANGULAR<br>X° ± 5°  |                          |  |
|  |                          | TITLE: EXTRUDED VERTICAL T-1¼<br>(5mm) LED NARROW PROFILE ASSY   |
| DESIGNED:<br><b>Minh Doan</b>   | DATE:<br><b>07/26/12</b> | PART NO: ELM1XXX5XX  |
| CHECKED:<br><b>T. Yin</b>   | DATE:<br><b>07/26/12</b> | CAGE CODE: 32559 SHEET # 4 OF 5  |
| CAD GENERATED DOCUMENT, DO NOT MEASURE DRAWING.                                       |                          |  |

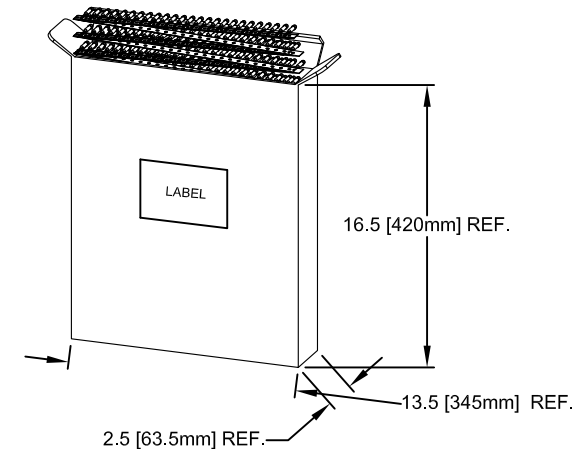
| REV. | DESCRIPTION  | DATE | APPROVED |
|------|--------------|------|----------|
|      | SEE SHEET #1 |      |          |
|      |              |      |          |
|      |              |      |          |
|      |              |      |          |



STANDARD PACKAGING TRAY



TAPE & REEL  
1,000 pcs / reel



AMMO PACK  
2,000 pcs / box

- NOTE:
1. STANDARD PART NUMBERS ARE PACKAGED IN LOOSE PIECES USING PACKAGING TRAYS
  2. ADD "T" SUFFIX TO PART NUMBER FOR TAPE AND REEL PACKAGING OPTION (1,000 PCS/REEL)
  3. ADD "A" SUFFIX TO PART NUMBER FOR AMMO PACK OPTION (2,000 PCS/BOX)
  4. TAPE AND REEL PACKAGING COMPLY TO EIA-468-C

|  |                          |   |  |
|--|--------------------------|---|--|
| STANDARD TOLERANCE<br>(UNLESS OTHERWISE SPECIFIED) |                          | <b>BIVAR</b> <sup>®</sup><br>4 THOMAS, IRVINE, CA. 92618<br>TEL: (949) 951-8808 FAX: (949) 951-3974 |  |
| DECIMALS   | ANGULAR                  |   |  |
| .X ± .1  | X° ± 1°                  |   | TITLE: EXTRUDED VERTICAL T-1 3/4 (5mm) LED NARROW PROFILE ASSY |
| .XX ± .02  |                          |   | PART NO: ELM1XXX5XX  |
| .XXX ± .010  |                          |   | REVISION: N  |
| DESIGNED:<br><b>Ty Yin</b>                         | DATE:<br><b>03/10/04</b> | CAGE CODE : 32559   | SHEET # 5 OF 5   |
| CHECKED:<br><b>David Green</b>                     | DATE:<br><b>03/10/04</b> | CAD GENERATED DOCUMENT, DO NOT MEASURE DRAWING.   |  |



Компания «ЭлектроПласт» предлагает заключение долгосрочных отношений при поставках импортных электронных компонентов на взаимовыгодных условиях!

Наши преимущества:

- Оперативные поставки широкого спектра электронных компонентов отечественного и импортного производства напрямую от производителей и с крупнейших мировых складов;
- Поставка более 17-ти миллионов наименований электронных компонентов;
- Поставка сложных, дефицитных, либо снятых с производства позиций;
- Оперативные сроки поставки под заказ (от 5 рабочих дней);
- Экспресс доставка в любую точку России;
- Техническая поддержка проекта, помощь в подборе аналогов, поставка прототипов;
- Система менеджмента качества сертифицирована по Международному стандарту ISO 9001;
- Лицензия ФСБ на осуществление работ с использованием сведений, составляющих государственную тайну;
- Поставка специализированных компонентов (Xilinx, Altera, Analog Devices, Intersil, Interpoint, Microsemi, Aeroflex, Peregrine, Syfer, Eurofarad, Texas Instrument, Miteq, Cobham, E2V, MA-COM, Hittite, Mini-Circuits, General Dynamics и др.);

Помимо этого, одним из направлений компании «ЭлектроПласт» является направление «Источники питания». Мы предлагаем Вам помощь Конструкторского отдела:

- Подбор оптимального решения, техническое обоснование при выборе компонента;
- Подбор аналогов;
- Консультации по применению компонента;
- Поставка образцов и прототипов;
- Техническая поддержка проекта;
- Защита от снятия компонента с производства.



#### Как с нами связаться

**Телефон:** 8 (812) 309 58 32 (многоканальный)

**Факс:** 8 (812) 320-02-42

**Электронная почта:** [org@eplast1.ru](mailto:org@eplast1.ru)

**Адрес:** 198099, г. Санкт-Петербург, ул. Калинина, дом 2, корпус 4, литера А.