

D3 - SERIES

SPECIFICATIONS AND ORDERING INFORMATION

1 5/16" DIAMETER 1.5 AMPS @ 28 VDC

The D3 Series was originally designed as a high quality military switch, but is ideal for use in both military and commercial equipment applications. The standard features of this hill and valley design are glass epoxy insulation and a 30° index, with options of ceramic and diallyl insulation and a 60° index.



SPECIFICATIONS

ELECTRICAL

Current and Voltage Rating: Make and break resistive load
1.5 amps @ 28 VDC; 0.5 amp @ 115 VAC.
Current Carrying Capacity: 9 amps.
Dielectric Strength: 1,000 VAC between current carrying parts and ground.
Contact Resistance: Average initial 3.5 milliohms.
Insulation Resistance: Glass in excess of 750,000 megohms.
Ceramic in excess of 1,000,000 megohms.
Diallyl in excess of 900,000 megohms.
Hardware: Mounting nut and lockwasher are shipped assembled.

MECHANICAL

Materials and Finishes: All parts utilize non-corrosive materials.
Clips and Rotors: Silver alloy standard on ceramic.
Brass with silver plate standard on glass.
Insulation: Glass epoxy, ceramic, or diallyl phthalate.
Index: Single-ball, hill and valley.
Index Life: 25,000 cycles minimum.
Index Torque: Switches have lowest practical torque consistent with crisp detenting and smooth, reliable operation.
Index Angles: Positive 30° standard, 60° available.
Index Stops: Adjustable standard, fixed or continuous.
Stop Strength: 25 in. lbs. minimum.

STANDARD PART NUMBER

EPOXY GLASS INSULATION - BRASS SILVER PLATE

SWITCHES - SOLDER LUG TERMINALS - 30° INDEX - ADJUSTABLE STOPS SET @ 2 POS.

| POLES | ACTIVE POSITIONS | POLES/SECTION | NO. OF SECTIONS | SHORTING | NON-SHORTING | FIG. * |
|-------|------------------|---------------|-----------------|----------|--------------|--------|
| 01 | 02-11 | 1 | 1 | D3G0111S | D3G0111N | DA |
| 02 | 02-11 | 1 | 2 | D3G0211S | D3G0211N | DA |
| 02 | 02-05 | 2 | 1 | D3G0205S | D3G0205N | DH |
| 03 | 02-11 | 1 | 3 | D3G0311S | D3G0311N | DA |
| 03 | 02-03 | 3 | 1 | D3G0303S | D3G0303N | DM |
| 04 | 02-05 | 2 | 2 | D3G0405S | D3G0405N | DH |
| 06 | 02-03 | 3 | 2 | D3G0603S | D3G0603N | DM |
| 06 | 02-05 | 2 | 3 | D3G0605S | D3G0605N | DH |

CERAMIC INSULATION - SILVER ALLOY - 2.6 AMPS @ 28 VDC

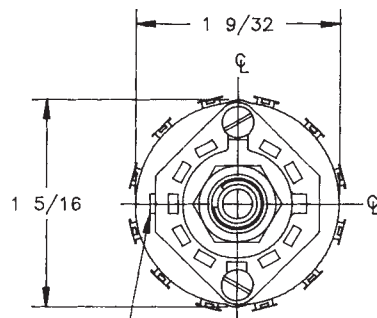
SWITCHES - SOLDER LUG TERMINALS - 30° INDEX - ADJUSTABLE STOPS SET @ 2 POS.

| POLES | ACTIVE POSITIONS | POLES/SECTION | NO. OF SECTIONS | SHORTING | NON-SHORTING | FIG. * |
|-------|------------------|---------------|-----------------|----------|--------------|--------|
| 01 | 02-11 | 1 | 1 | D3C0111S | D3C0111N | DA |
| 02 | 02-11 | 1 | 2 | D3C0211S | D3C0211N | DA |
| 02 | 02-05 | 2 | 1 | D3C0205S | D3C0205N | DH |
| 03 | 02-11 | 1 | 3 | D3C0311S | D3C0311N | DA |
| 03 | 02-03 | 3 | 1 | D3C0303S | D3C0303N | DM |
| 04 | 02-05 | 2 | 2 | D3C0405S | D3C0405N | DH |
| 06 | 02-03 | 3 | 2 | D3C0603S | D3C0603N | DM |
| 06 | 02-05 | 2 | 3 | D3C0605S | D3C0605N | DH |

* FIGURES ARE SHOWN ON PAGES 55 AND 56.

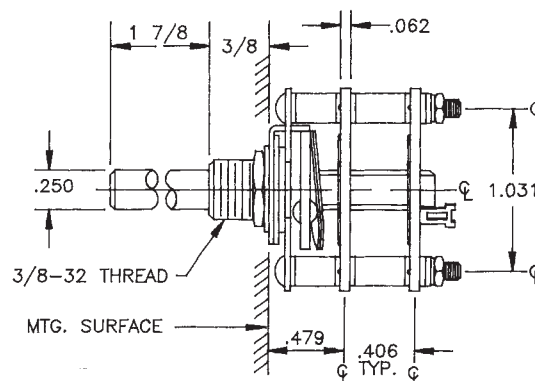
DIMENSIONS

STANDARD CONSTRUCTION



NON-TURN LUG
.125W X .035 THK.
.531 FROM C-LINE
.117 ENGAGEMENT

D3G - GLASS EPOXY CONSTRUCTION



How to Order Additional Options:

| 2 DIGIT SERIES | INSULATION TYPE | TOTAL POLES | ACTIVE POSITIONS | CONTACT TYPE | TERMINAL TYPE | INDEX ANGLE | STOP TYPE | SHAFT/ BUSHING | SHAFT FLAT |
|----------------|--|-------------|----------------------------------|----------------------------------|---------------------------------|-------------|------------------------------------|----------------|---------------|
| D3 | G - GLASS C - CERAMIC (SILVER ALLOY) D - DIALYL | 01 - MIN. | 12 - MAX @ 30° 06 - MAX @ 60° | N - NON SHORTING S - SHORTING | L - SOLDER LUG R - REAR P.C. | 30° 60° | A - ADJ. F - FIXED C - CONT. | SEE CHART "A" | SEE CHART "B" |

CUSTOMERS SPECIFIED ORDER NUMBER FOR STANDARD OPTIONS

| | | | | | | | | | |
|----------|----------|--------------------------|--------------------------|--------------------------|--------------------------|--------------------------|--------------------------|--------------------------|--------------------------|
| D | 3 | <input type="checkbox"/> | <input type="checkbox"/> | <input type="checkbox"/> | <input type="checkbox"/> | <input type="checkbox"/> | <input type="checkbox"/> | <input type="checkbox"/> | <input type="checkbox"/> |
| | | (SPECIFY) | (SPECIFY) | (SPECIFY) | (SPECIFY) | (SPECIFY) | (SPECIFY) | (SPECIFY) | (SPECIFY) |

ADDITIONAL OPTIONS

SHAFT, BUSHING, AND FLAT OPTIONS

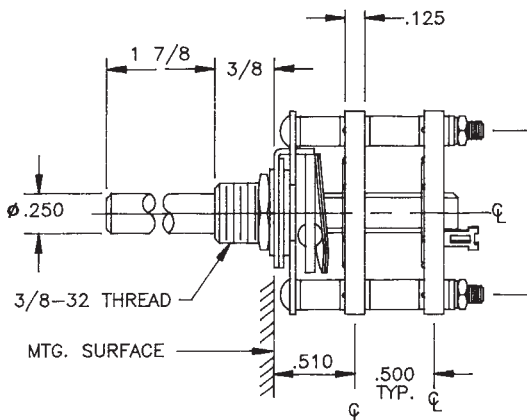
| P/N OPT. | SHAFT LGTH. "A" | BUSH. LGTH. "B" |
|----------|-----------------|-----------------|
| 01 | 3/8 | 1/4 |
| 02 | 3/8 | 3/8 |
| 03 | 1/2 | 1/4 |
| 04 | 1/2 | 3/8 |
| 05 | 9/16 | 1/4 |
| 06 | 9/16 | 3/8 |
| 07 | 3/4 | 1/4 |
| 08 | 3/4 | 3/8 |
| 09 | 1 | 1/4 |
| 10 | 1 | 3/8 |
| 11 | 1 1/2 | 1/4 |
| 12 | 1 1/2 | 3/8 |
| 13 | 1 7/8 | 1/4 |
| 14 | 1 7/8 | 3/8 |

| P/N OPT. | FLAT ANGLE |
|----------|------------|
| B | ROUND |
| U | 15° |
| W | 165° |
| Y | 195° |
| Z | 345° |

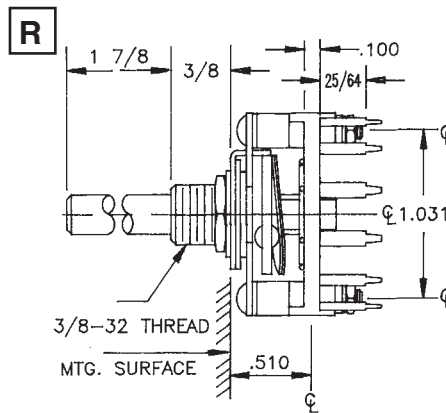
SHAFT AS VIEWED WITH NON-TURN LUG AT 9 O'CLOCK AND SHAFT IN EXTREME CCW POSITION AND STRUT BOLTS ORIENTED VERTICALLY.

INSULATION AND PRINTED CIRCUIT BOARD TERMINAL OPTIONS

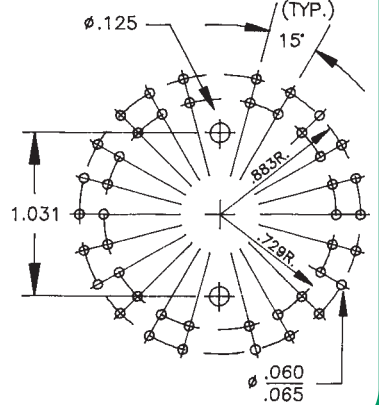
D3C - CERAMIC CONSTRUCTION



D3D - DIALYL PHTHALATE CONSTRUCTION



P.C. BOARD MOUNTING PATTERN (TYP.)



CUSTOM SWITCHES ARE AVAILABLE. CONTACT THE FACTORY WITH YOUR COMPLETE SPECIFICATIONS.



Компания «ЭлектроПласт» предлагает заключение долгосрочных отношений при поставках импортных электронных компонентов на взаимовыгодных условиях!

Наши преимущества:

- Оперативные поставки широкого спектра электронных компонентов отечественного и импортного производства напрямую от производителей и с крупнейших мировых складов;
- Поставка более 17-ти миллионов наименований электронных компонентов;
- Поставка сложных, дефицитных, либо снятых с производства позиций;
- Оперативные сроки поставки под заказ (от 5 рабочих дней);
- Экспресс доставка в любую точку России;
- Техническая поддержка проекта, помощь в подборе аналогов, поставка прототипов;
- Система менеджмента качества сертифицирована по Международному стандарту ISO 9001;
- Лицензия ФСБ на осуществление работ с использованием сведений, составляющих государственную тайну;
- Поставка специализированных компонентов (Xilinx, Altera, Analog Devices, Intersil, Interpoint, Microsemi, Aeroflex, Peregrine, Syfer, Eurofarad, Texas Instrument, Miteq, Cobham, E2V, MA-COM, Hittite, Mini-Circuits, General Dynamics и др.);

Помимо этого, одним из направлений компании «ЭлектроПласт» является направление «Источники питания». Мы предлагаем Вам помощь Конструкторского отдела:

- Подбор оптимального решения, техническое обоснование при выборе компонента;
- Подбор аналогов;
- Консультации по применению компонента;
- Поставка образцов и прототипов;
- Техническая поддержка проекта;
- Защита от снятия компонента с производства.



Как с нами связаться

Телефон: 8 (812) 309 58 32 (многоканальный)

Факс: 8 (812) 320-02-42

Электронная почта: org@eplast1.ru

Адрес: 198099, г. Санкт-Петербург, ул. Калинина, дом 2, корпус 4, литера А.