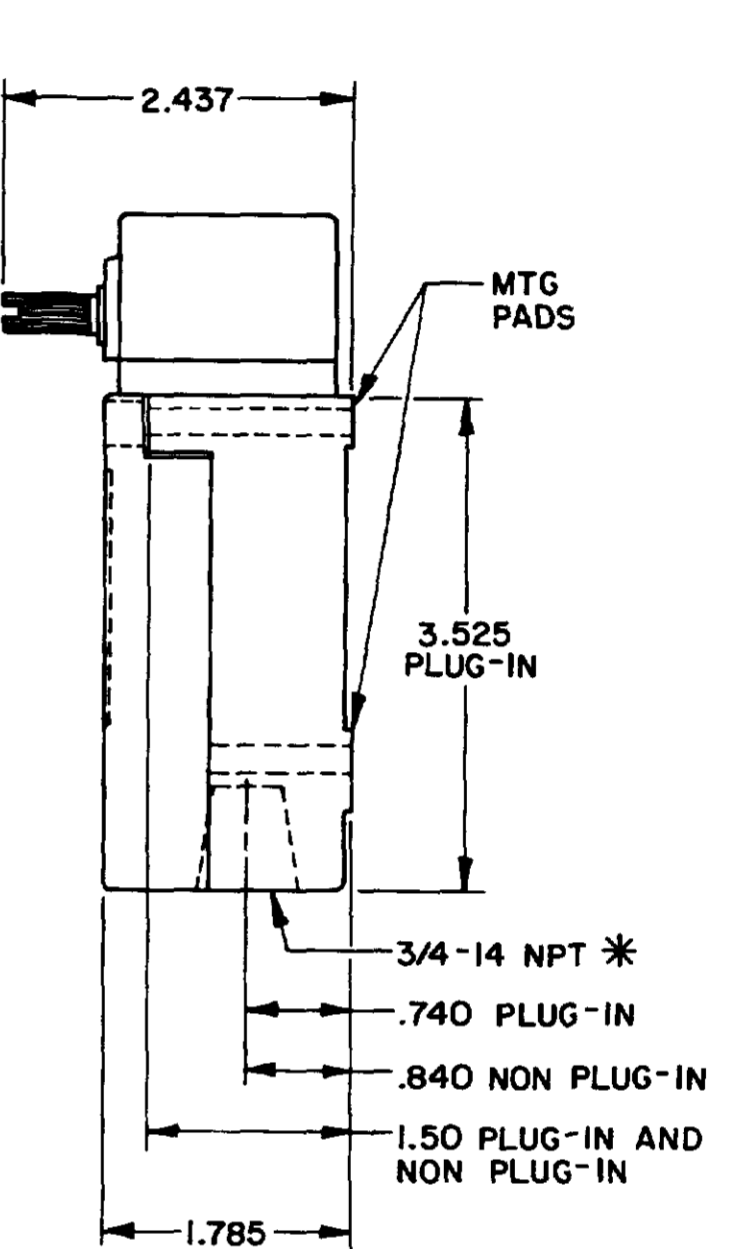
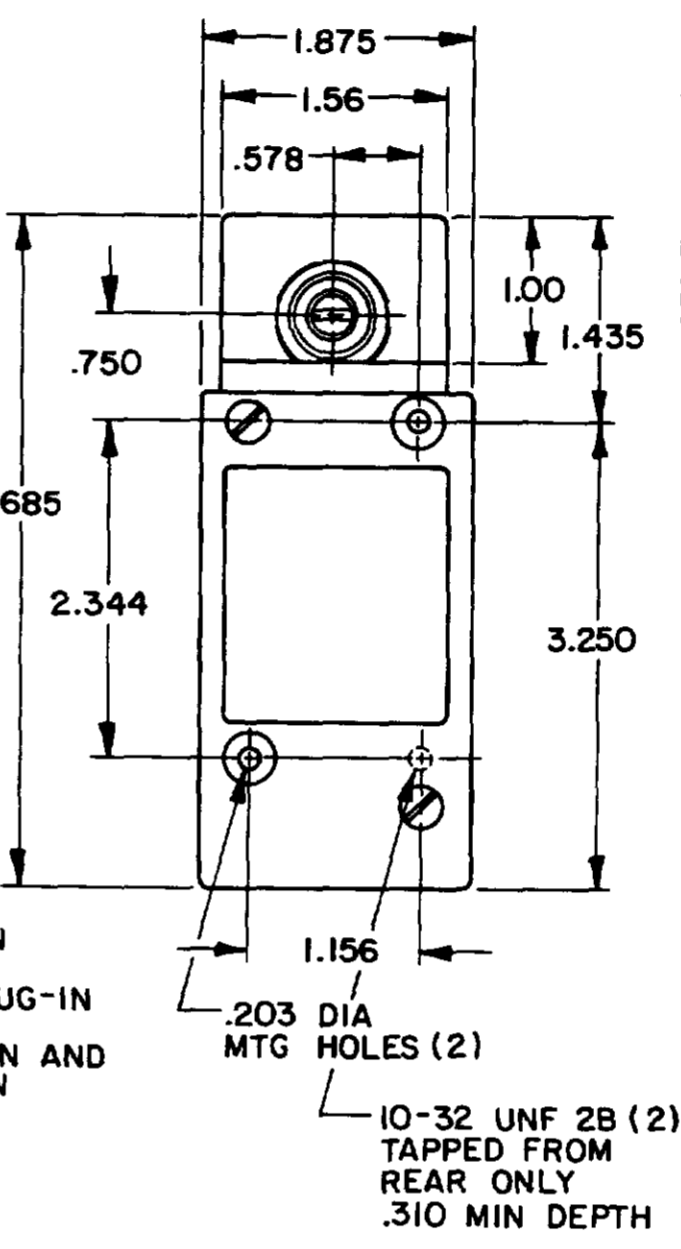
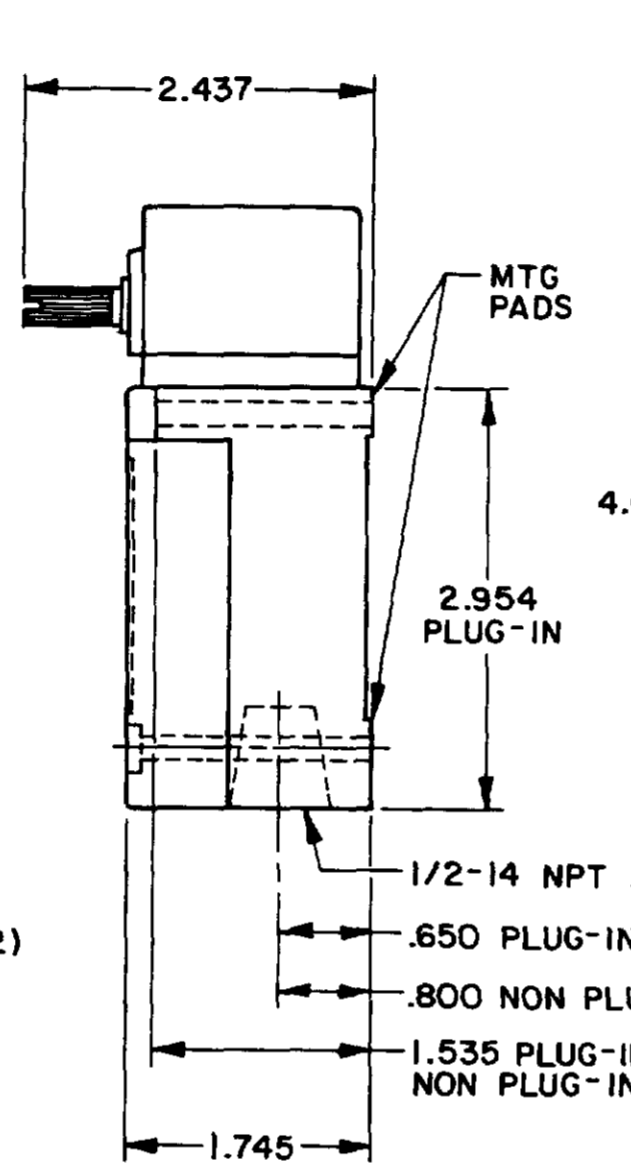
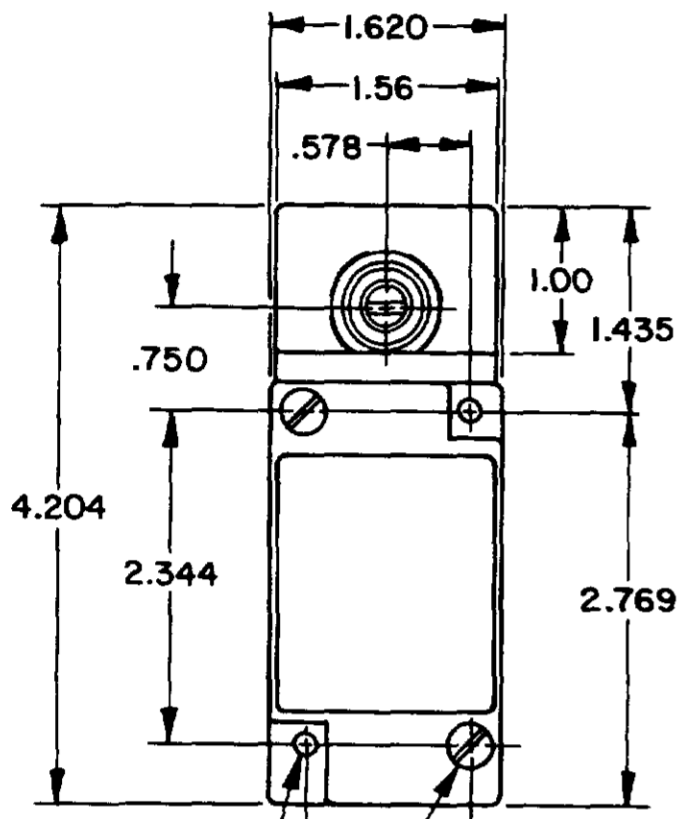


OPERATING CHARACTERISTICS	LSYA MOMENTARY		LSYR MOMENTARY LOW TORQUE		LSYN MAINTAINED	LSYP MOMENTARY LOW PRETRAVEL AND DIFF. TRAVEL		LSYH MOMENTARY LOW PRETRAVEL AND LOW TORQUE		LSYL SEQUENCE DOUBLE POLE ONLY	LSYM CENTER NEUTRAL DOUBLE POLE ONLY	LSYS GRAVITY RETURN	LSYU LOW PRETRAVEL	
	SINGLE POLE	DOUBLE POLE	SINGLE POLE	DOUBLE POLE		SINGLE POLE	DOUBLE POLE	SINGLE POLE	DOUBLE POLE				SGL POLE	DBL POLE
PRETRAVEL(MAX)	15°	15°	15°	15°	65°	9°	9°	9°	9°	1ST STEP 15° 2ND STEP 10° ADD'L	18°	NOT APPLICABLE	5°	
OVERTRAVEL(MIN)	60°	60°	60°	60°	20°	68°	68°	68°	68°	48°	57°	NOT APPLICABLE	70°	
DIFFERENTIAL TRAVEL(MAX)	5°	7°	5°	7°	40°	3°	4°	3°	4°	5°	10°	12°	3°	4°
TOTAL TRAVEL (REF)	75°	75°	75°	75°	90°	75°	75°	75°	75°	75°	75°	360°	75°	
OPERATING TORQUE(MAX)	4 IN. LBS	1.7 IN. LBS	4 IN. LBS	1.7 IN. LBS	4 IN. LBS	4 IN. LBS	1.7 IN. LBS	4 IN. LBS	1.7 IN. LBS	4 IN. LBS	4 IN. LBS	5 IN-OZ	4 IN. LBS	
FULL TRAVEL TORQUE(MAX)	4 IN. LBS	1.7 IN. LBS	4 IN. LBS	1.7 IN. LBS	4 IN. LBS	4 IN. LBS	1.7 IN. LBS	4 IN. LBS	1.7 IN. LBS	4 IN. LBS	4 IN. LBS	5 IN-OZ	4 IN. LBS	

SIDE ROTARY

SINGLE POLE

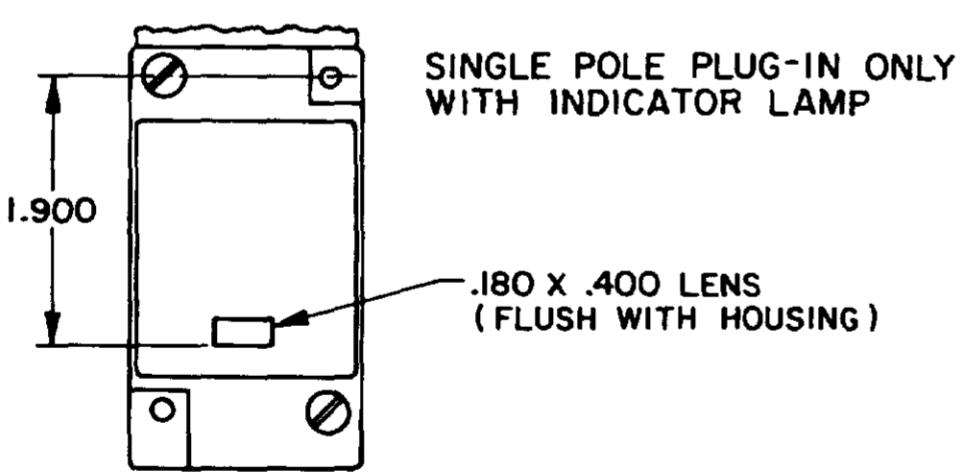
DOUBLE POLE



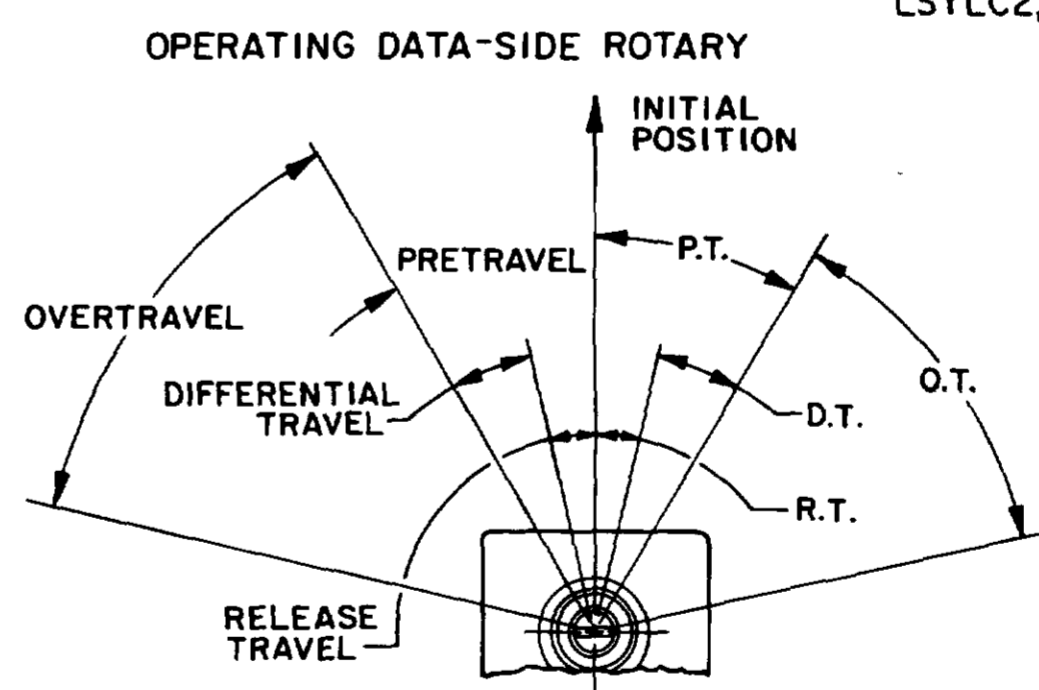
FLOUROSILICONE SEALS: LSYABI, LSYHBI, LSYNBI, LSYBBI, LSYRBI, LSYHB3, LSYPB3, LSYRB3, LSYSB1
 VITON: LSYAC1, LSYHCI, LSYNC1, LSYPC1, LSYRC1, LSYAC3, LSYHC3, LSYNC3, LSYPC3, LSYRC3, LSYSC1

FLOUROSILICONE SEALS: LSYAB2, LSYHB2, LSYMB2, LSYNB2, LSYPB2, LSYRB2, LSYAB4, LSYHB4, LSYMB4, LSYNB4, LSYPB4, LSYRB4
 * (LSYAB6, LSYHB6, LSYMB6, LSYNB6, LSYPB6, LSYRB6, LSYAB7, LSYHB7, LSYMB7, LSYNB7, LSYPB7, LSYRB7 HAVE 1/2-14 CONDUIT HOLE)

VITON SEALS: LSYAC2, LSYHC2, LSYNC2, LSYPC2, LSYRC2, LSYAC4, LSYHC4, LSYNC4, LSYPC4, LSYRC4, LSYMC2, LSYMC4, LSYMC6, LSYMC7, LSYLC2, LSYLC4, LSYLC6, LSYLC7

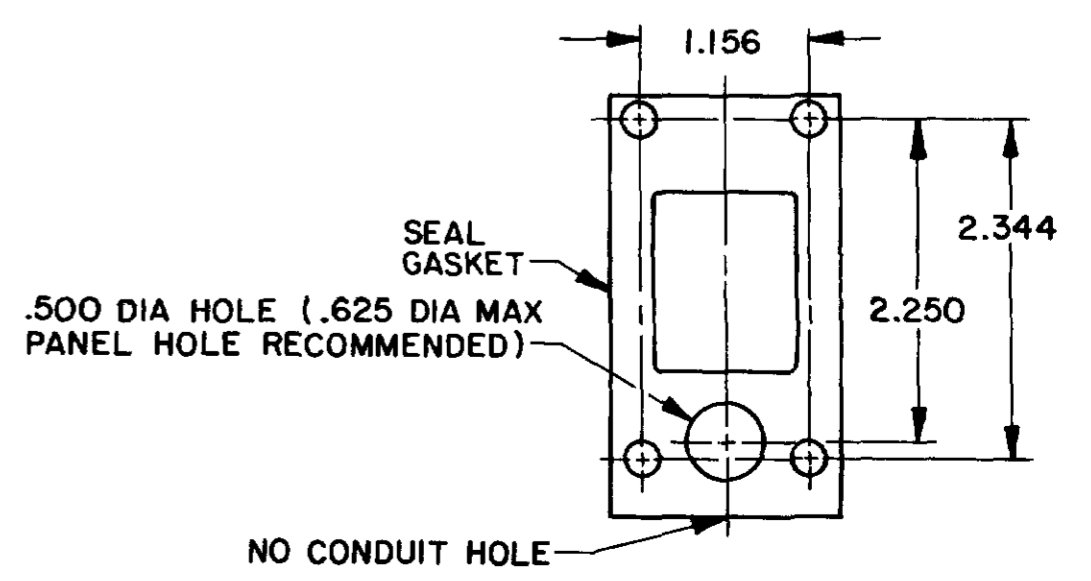


120 LAMP VOLTAGE -
 TYPE LSYAB5, LSYHB5, LSYNB5, LSYPB5, LSYRB5, LSYAC5, LSYHC5, LSYNC5, LSYPC5, LSYRC5
 240 LAMP VOLTAGE -
 TYPE LSYAB8, LSYHB8, LSYNB8, LSYPB8, LSYRB8, LSYAC8, LSYHC8, LSYNC8, LSYPC8, LSYRC8



NOTE
 1 - ALL UNITS AVAILABLE WITH FLUOROSILICONE AND VITON SEALS

MANIFOLD MOUNT (PLUG-IN ONLY)
 SINGLE POLE AND DOUBLE POLE
 TYPE LSYA THROUGH LSYW SERIES



MICRO SWITCH
 THIS DRAWING COVERS A PROPRIETARY ITEM AND IS THE PROPERTY OF MICRO SWITCH, A DIVISION OF FREEPORT ELECTRONICS U.S.A. IT IS NOT TO BE COPIED OR USED WITHOUT THE APPROVAL OF MICRO SWITCH.
 MICRO SWITCH
 1425 WEST 13TH AVENUE
 DENVER, CO 80202

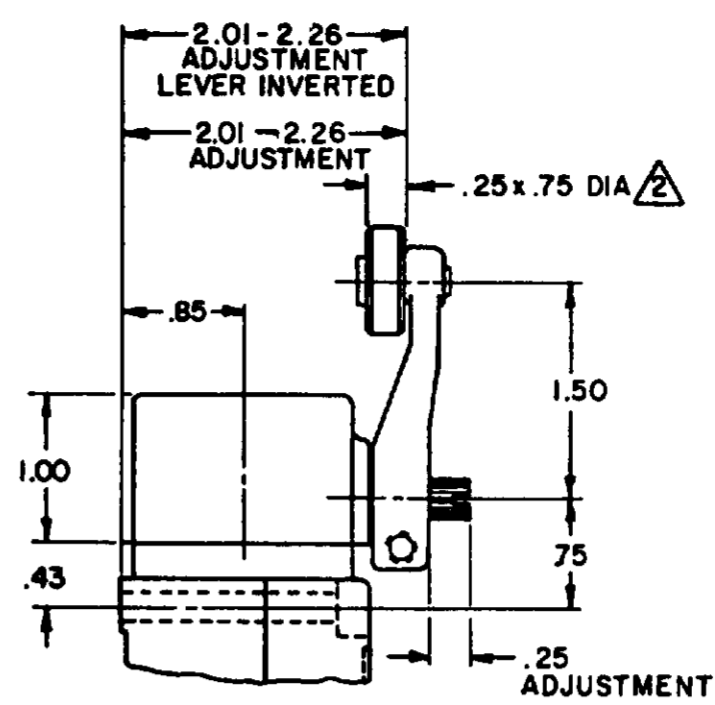
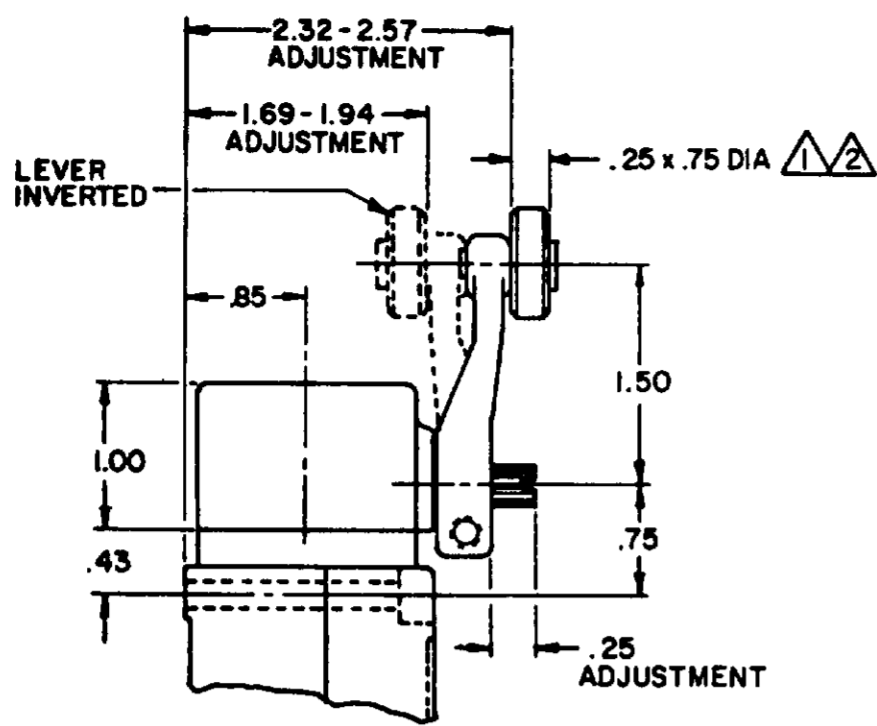
SWITCH-ENCLOSED

LSY SERIES
 CATALOG LISTING
 CHART 1

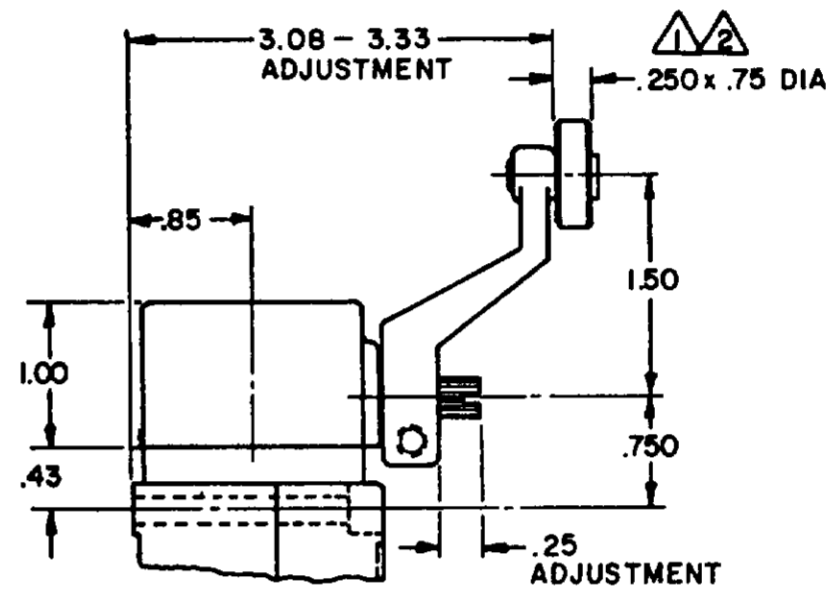
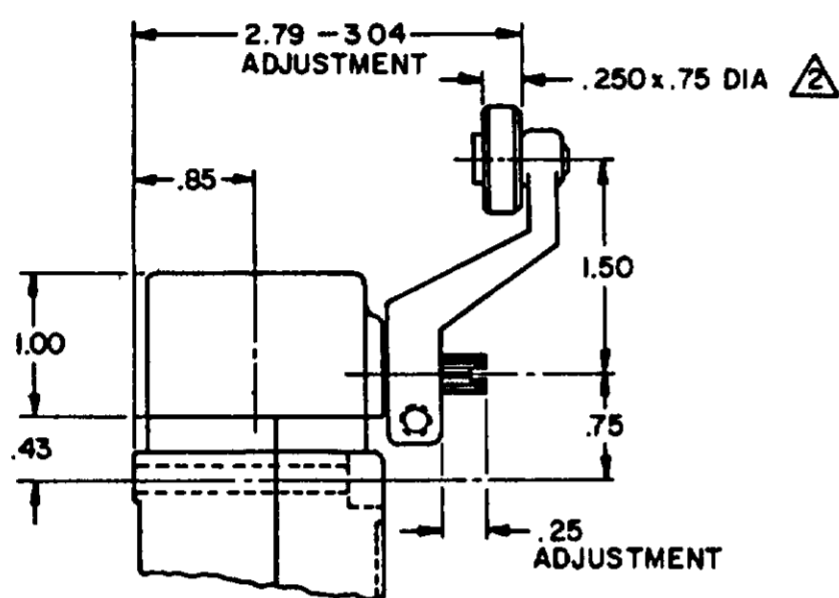
DESIGN UNIT: 1.000
 NO. OF PLACES: 1
 NO. OF SWITCHES: 1
 NO. OF CONTACTS: 1
 NO. OF TERMINALS: 2
 NO. OF LEADS: 2
 NO. OF WIRE GAUGES: 22
 NO. OF WIRE TYPES: 22
 NO. OF WIRE COLORS: 22
 NO. OF WIRE LENGTHS: 22
 NO. OF WIRE WEIGHTS: 22
 NO. OF WIRE DIAMETERS: 22
 NO. OF WIRE CROSS SECTIONS: 22
 NO. OF WIRE MATERIALS: 22
 NO. OF WIRE TYPES: 22
 NO. OF WIRE WEIGHTS: 22
 NO. OF WIRE DIAMETERS: 22
 NO. OF WIRE CROSS SECTIONS: 22
 NO. OF WIRE MATERIALS: 22

SCALE: NONE
 TOLERANCES: NONE
 THIRD ANGLE PROJECTION
 DO NOT SCALE PRINT

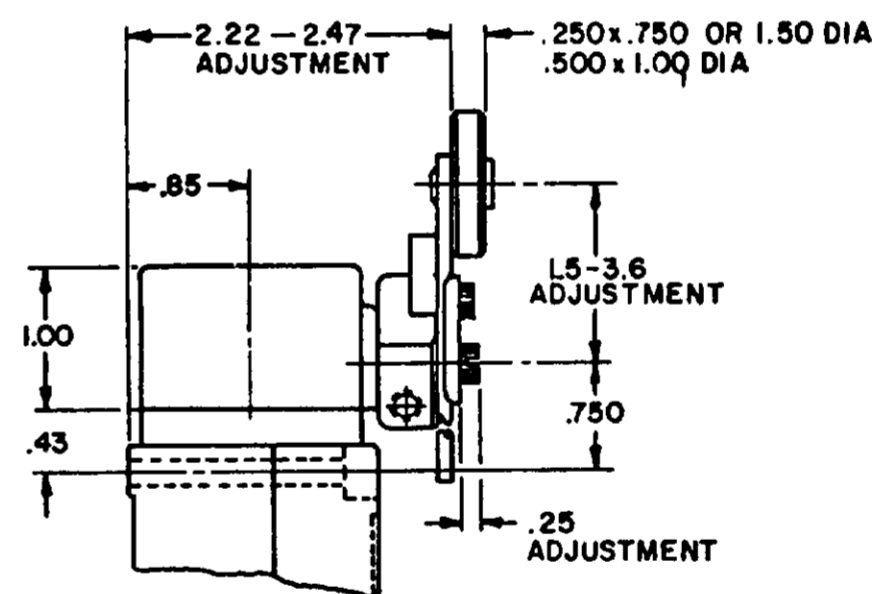
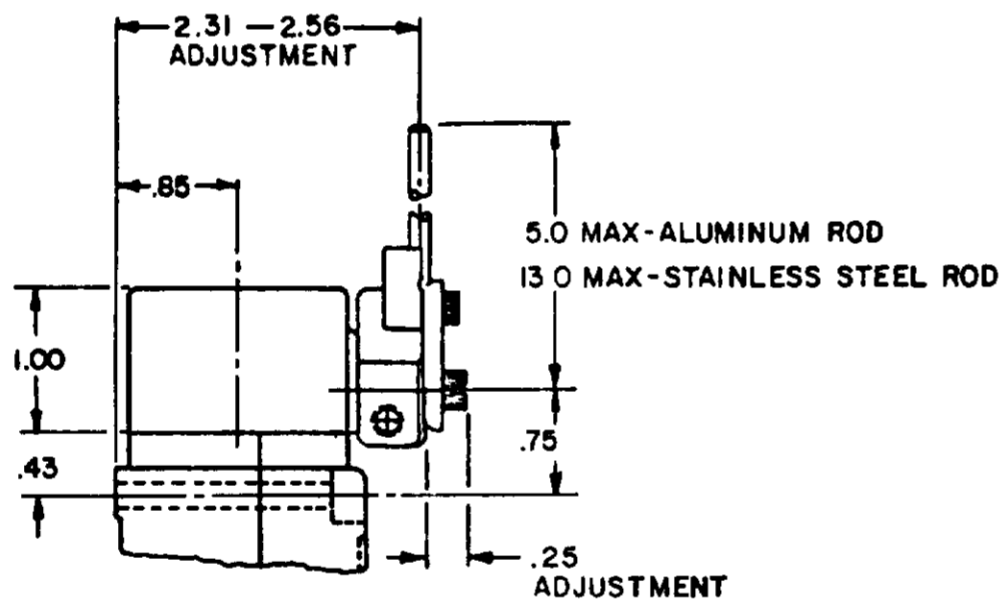
SIDE ROTARY CAM TRACKING



LSZ51 TYPE LEVERS

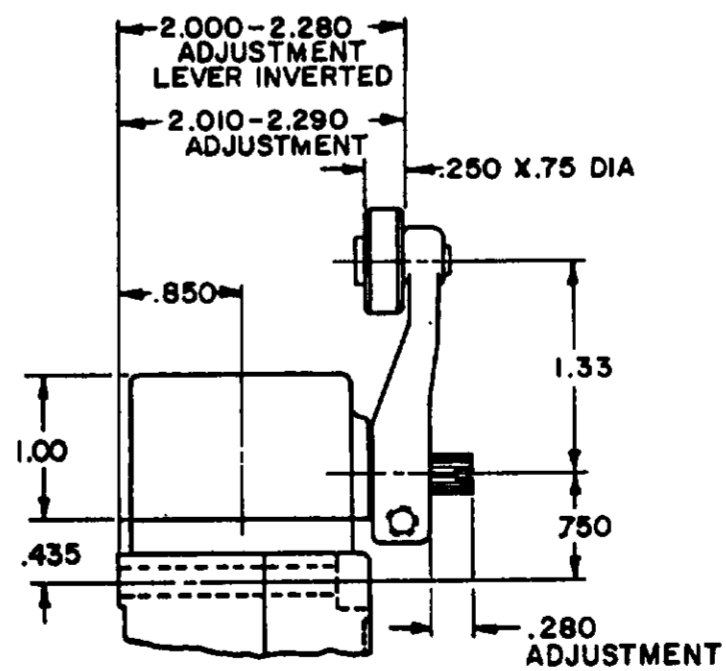


LSZ55 TYPE LEVERS



LSZ54 TYPE LEVER

LSZ52 TYPE LEVER



LSZ59 TYPE LEVERS

NOTES

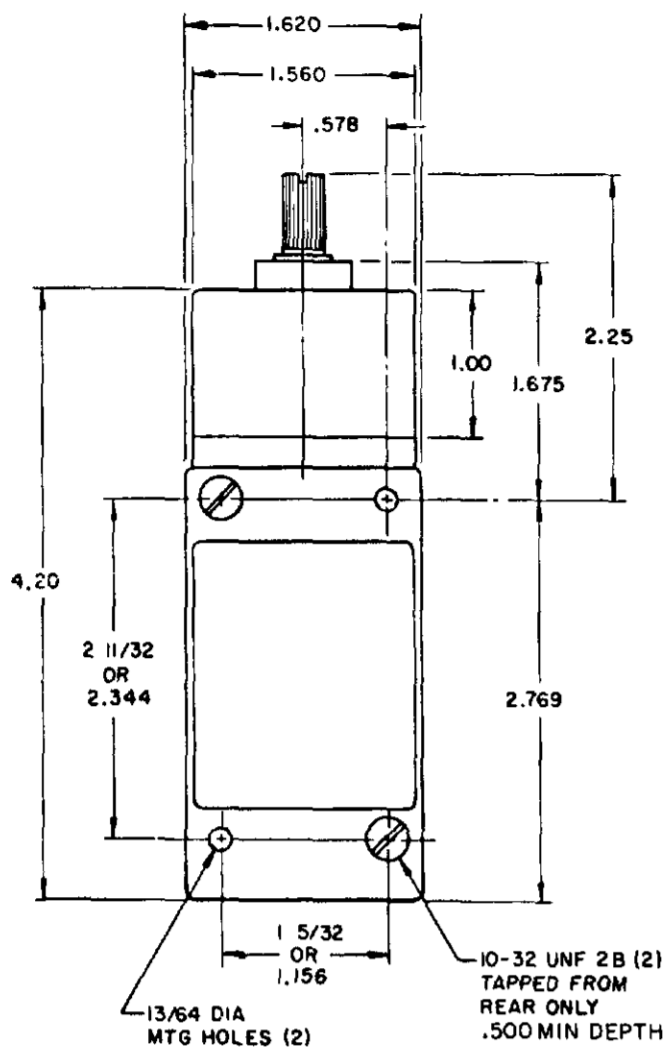
- ▲ ALSO AVAILABLE IN .250 X 1.500 DIA NYLON, BUT LEVER CANNOT BE INVERTED
- ▲ FOR ADDITIONAL ROLLER WIDTHS AND/OR DIAMETERS REFER TO (M)
- 3 - FOR ADDITIONAL TYPES OF ROLLERS AND LEVERS REFER TO LSZ CHART 1 (M)

MICRO SWITCH
 Honeywell Division
 THIS DRAWING COVERS A PROPRIETARY ITEM AND IS THE PROPERTY OF MICRO SWITCH A DIVISION OF HONEYWELL. THIS DRAWING IS NOT TO BE COPIED OR USED WITHOUT THE APPROVAL OF MICRO SWITCH.

WEIGHT	THIRD ANGLE PROJECTION
SCALE NONE	DO NOT SCALE PRINT
UNLESS OTHERWISE SPECIFIED TOLERANCES ARE	
ONE PLACE (.0)	± .030
TWO PLACE (.00)	± .015
THREE PLACE (.000)	± .005
ANGLES	±

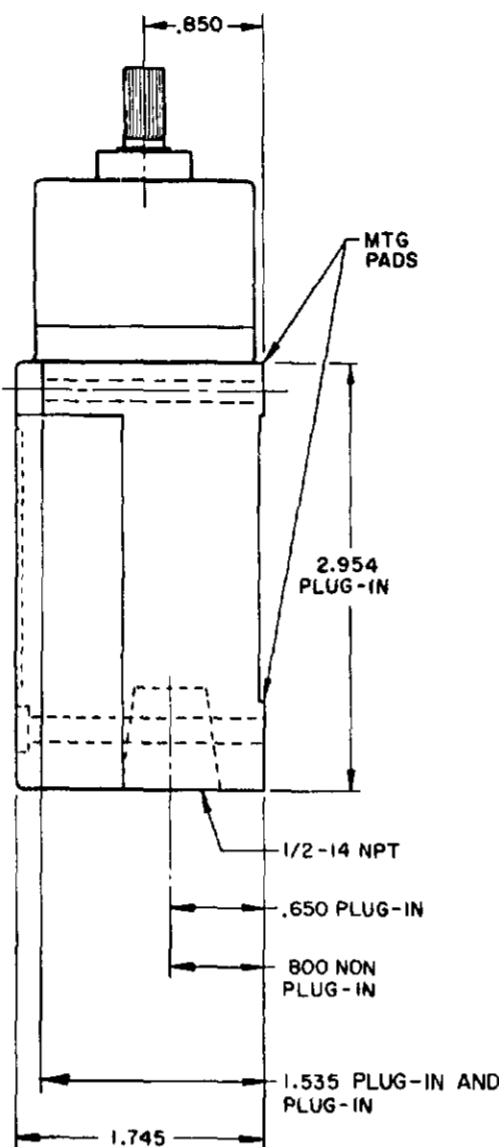
TOP ROTARY

SINGLE POLE

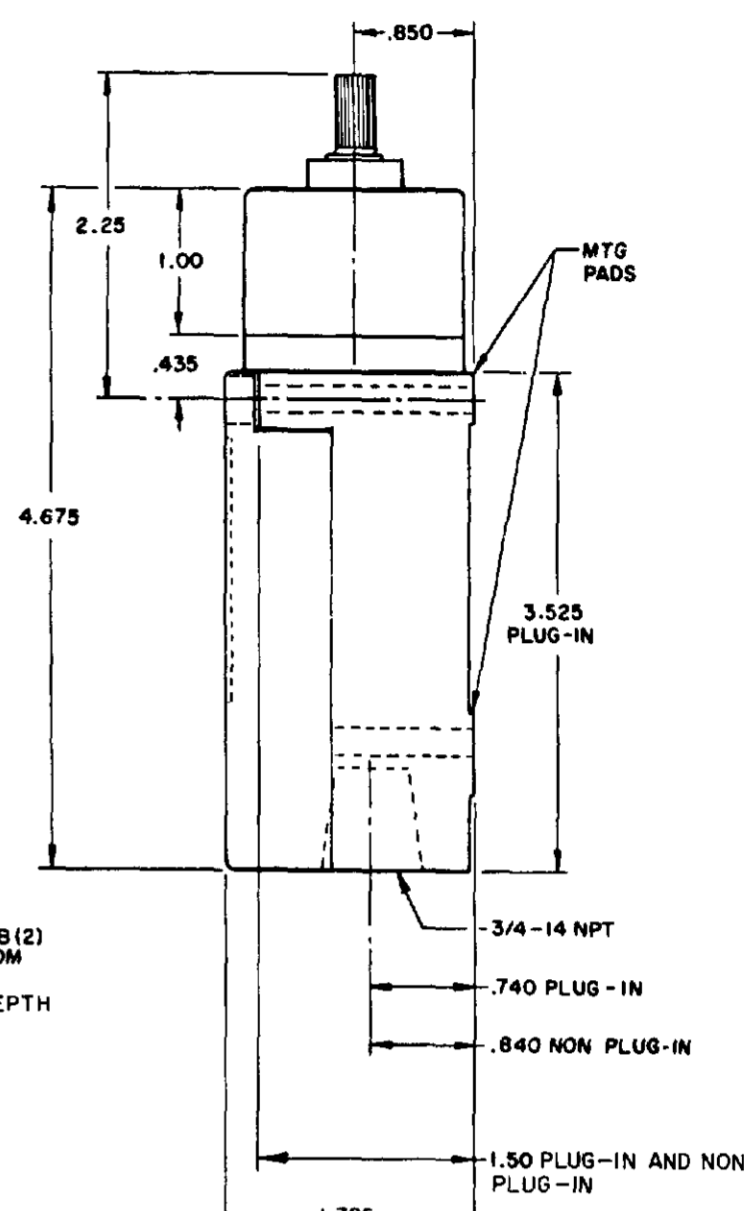
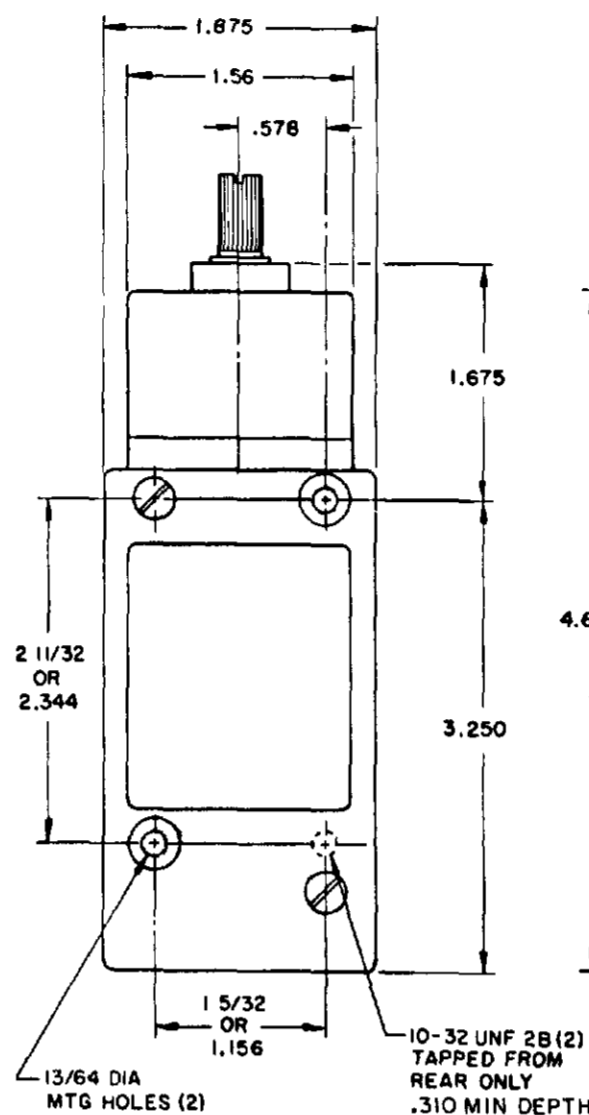


FLOUROSILICONE SEALS
LSYBBI & LSYBB3

VITON SEALS
LSYBCI & LSYBC3



DOUBLE POLE



FLOUROSILICONE SEALS
LSYBB2 & LSYBB4
LSYBB6 & LSYBB7 HAVE 1/2-14NPT
CONDUIT HOLE

VITON SEALS
LSYBC2 & LSYBC4, LSYBC6 & LSYBC7
HAVE 1/2-14NPT CONDUIT HOLE

	SINGLE POLE	DOUBLE POLE
PRETRAVEL MAX	25°	25°
OVERTRAVEL MIN	110°	110°
DIFFERENTIAL TRAVEL MAX	10°	12°
OPERATING TORQUE MAX	2.5 IN. LBS	2.5 IN. LBS
TOTAL TRAVEL (REF)	135°	135°

ELECTRICAL RATINGS

10 AMP CONT.

A.C. VOLTAGE	AMPS AT .35 POWER FACTOR			
	SINGL. POL.		DOUBL. POL.	
	MAKE	BREAK	MAKE	BREAK
120	60	6	10	3
240	30	3	15	1.5
480	15	1.5	7.5	.75
600	12	1.2	6	.6

D.C. VOLTAGE	MAKE & BREAK INDUCTIVE	RESISTIVE
120	0.25	0.80
240	0.15	0.40

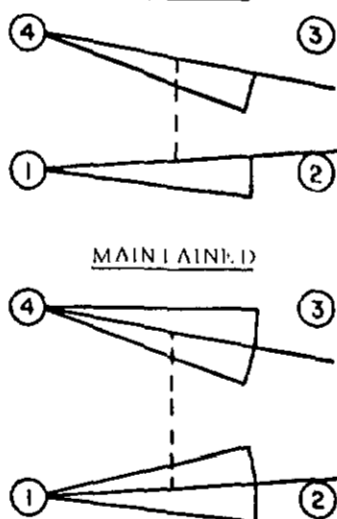
ELECTRONIC DUTY BASIC SWITCH
10 AMP CONT.

VOLTAGE	MAKE AND BREAK AMPS
5 AC OR DC MIN	.01 AMP MIN
600 AC	720 VA
240 DC	30 WATT

WIRING BASIC SWITCH (SAME POLARITY MUST BE OBSERVED FOR EACH POLE)

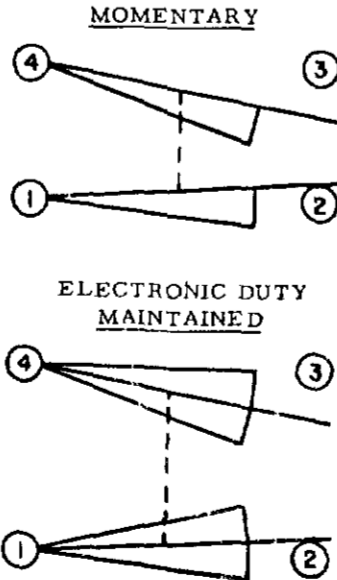
SINGLE POLE

MOMENTARY



SINGLE POLE

ELECTRONIC DUTY MOMENTARY

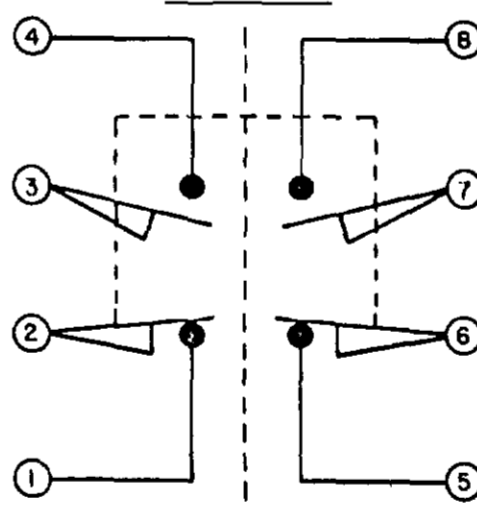


DIRECT ACTING

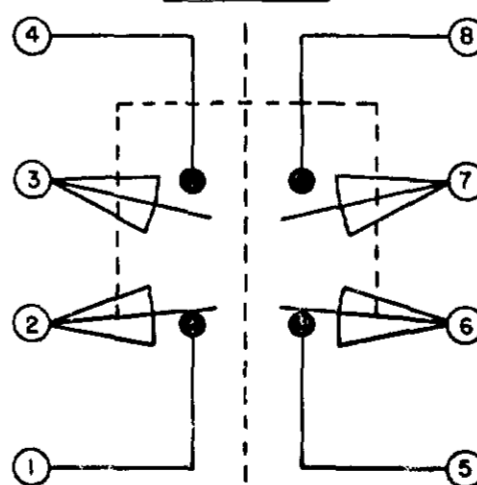


DOUBLE POLE

MOMENTARY



MAINTAINED



DIRECT ACTING (ALSO RATED AT A.C. 10 AMP CONT.)

D.C. VOLTAGE	MAKE AND BREAK AMPS	
	INDUCTIVE	RESISTIVE
30	4.2	4.2
120	1.1	1.1
240	.55	.55

NOTES:
1 - ALL UNITS AVAILABLE WITH FLOUROSILICONE AND VITON SEALS

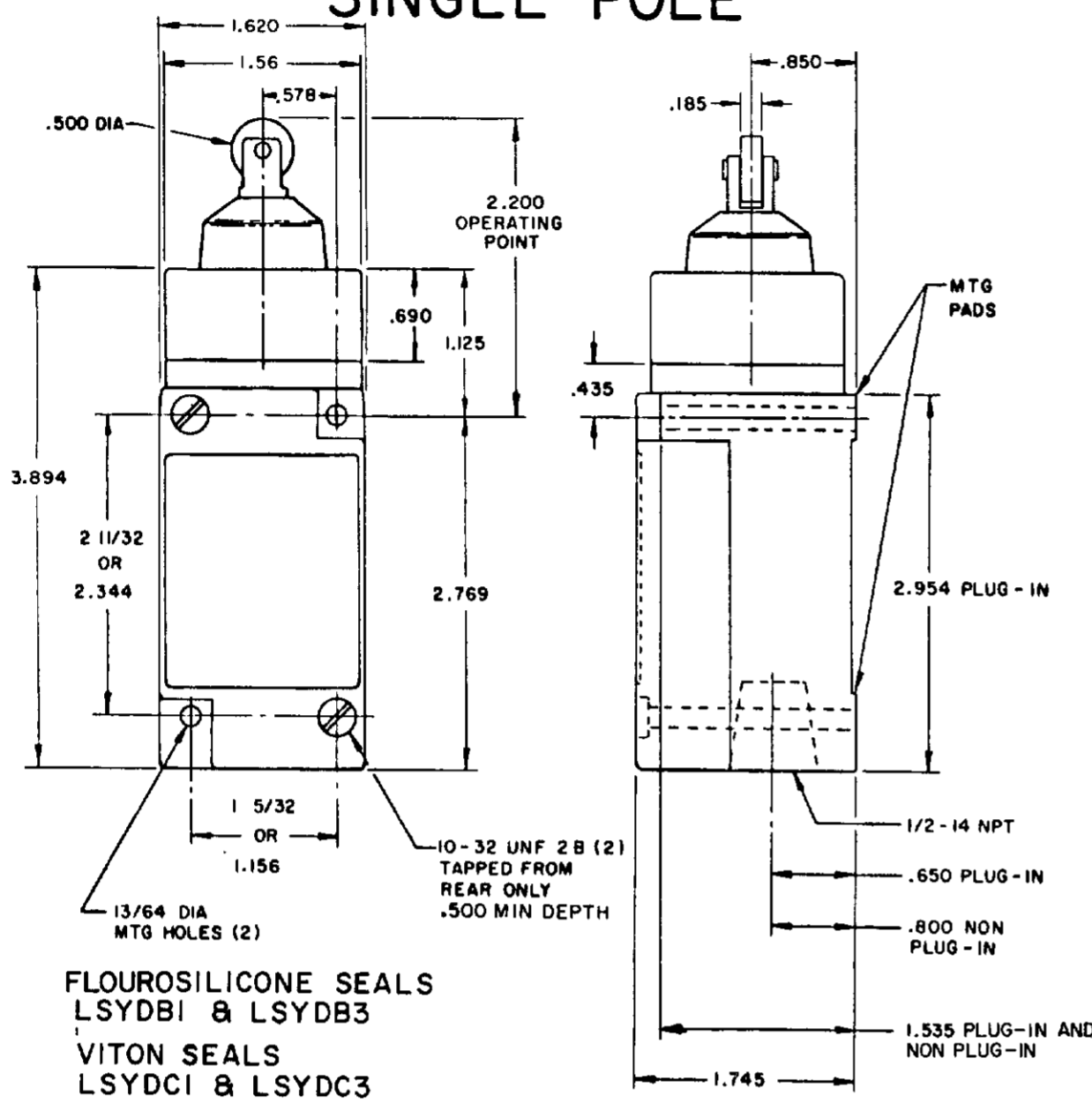
2 DIFFERENTIAL TRAVEL ON ALL OPERATING CHARACTERISTICS NOT APPLICABLE

MICRO SWITCH
 FREEMONT, CALIF. U.S.A.
 A DIVISION OF HONEYWELL
 100 W. COOK STREET
 FREDERICK, MD. 21701
 SWITCH - ENCLOSED
 CHART 1
 LSY SERIES
 CATALOG LISTING

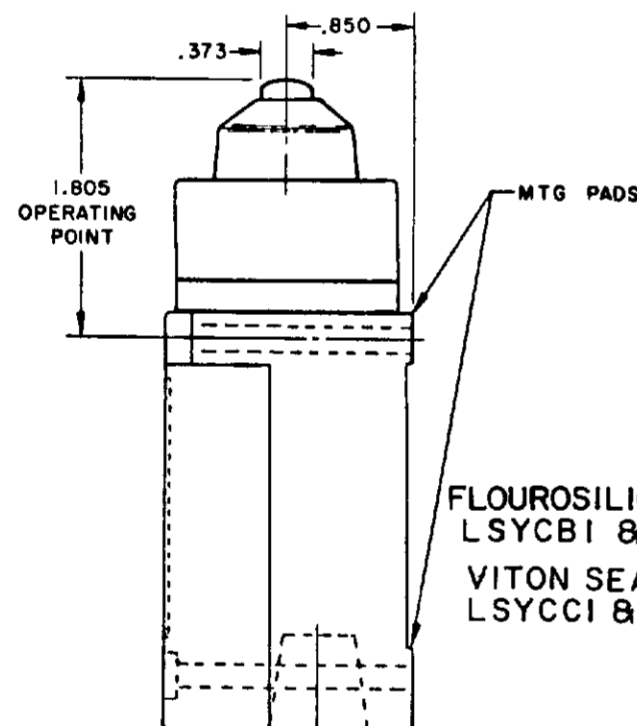
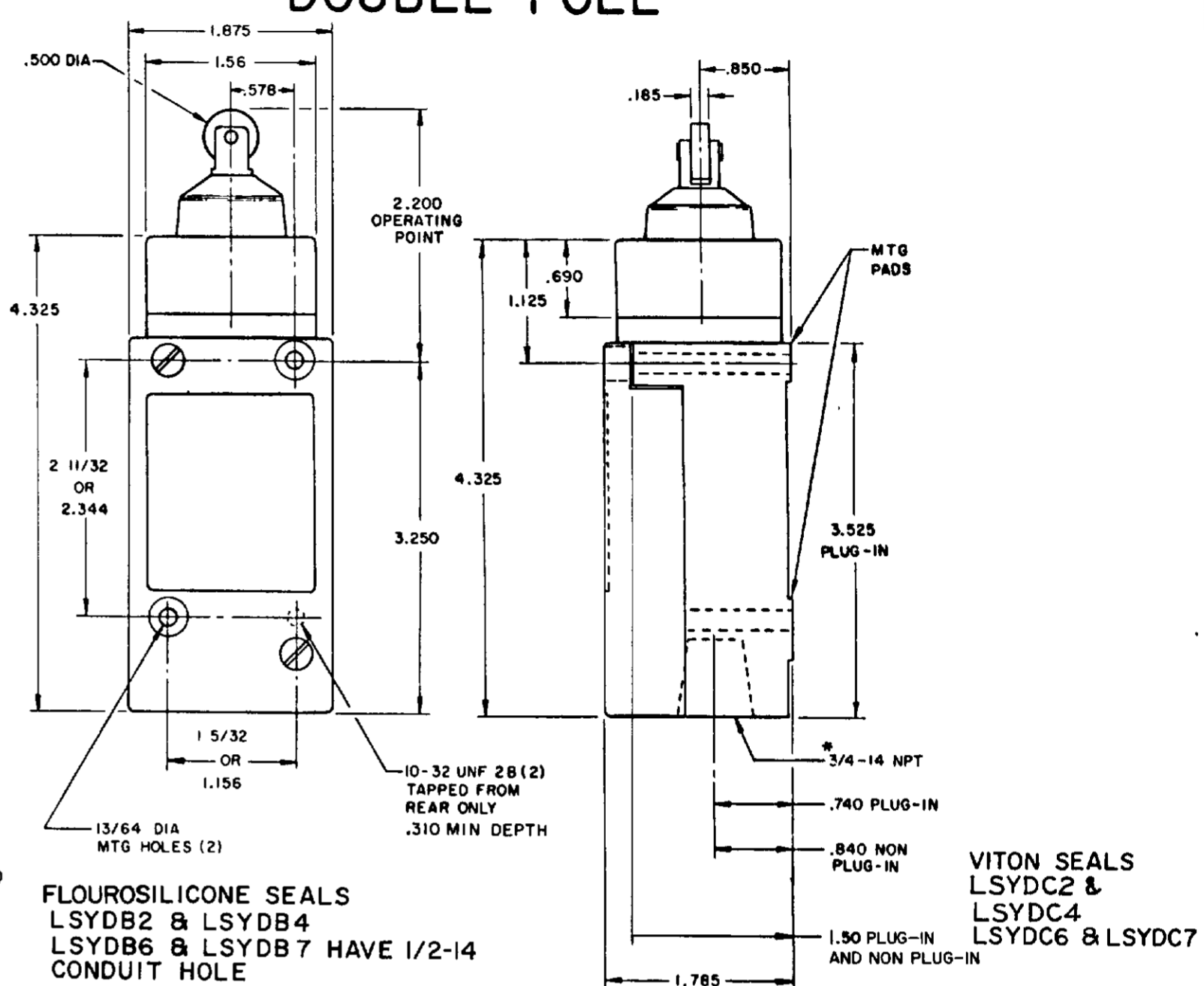
SCALE NONE
 DO NOT SCALE PRINT

PLUNGER TYPE TOP

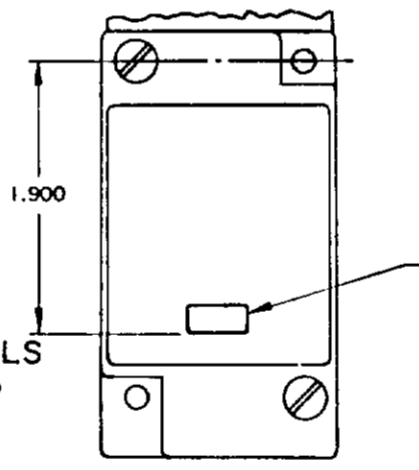
SINGLE POLE



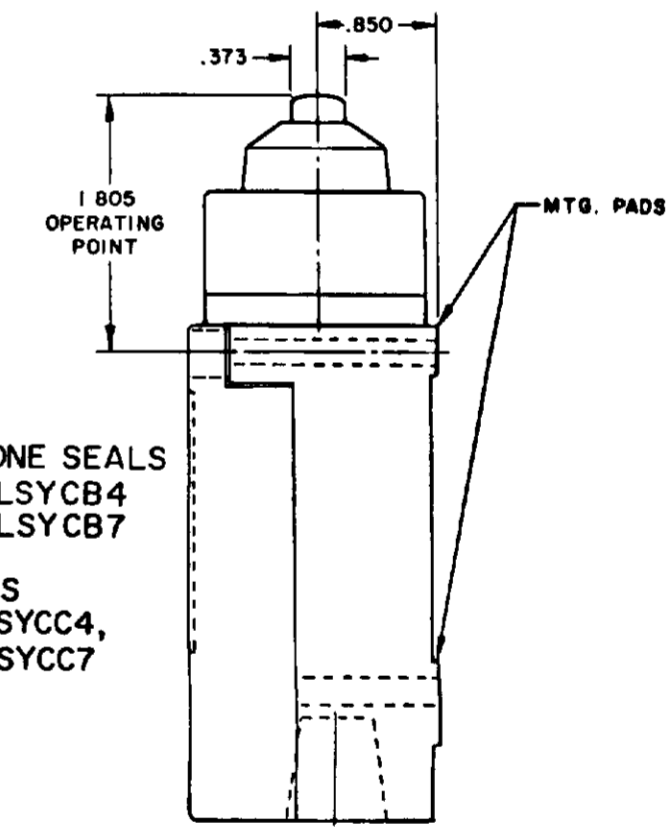
DOUBLE POLE



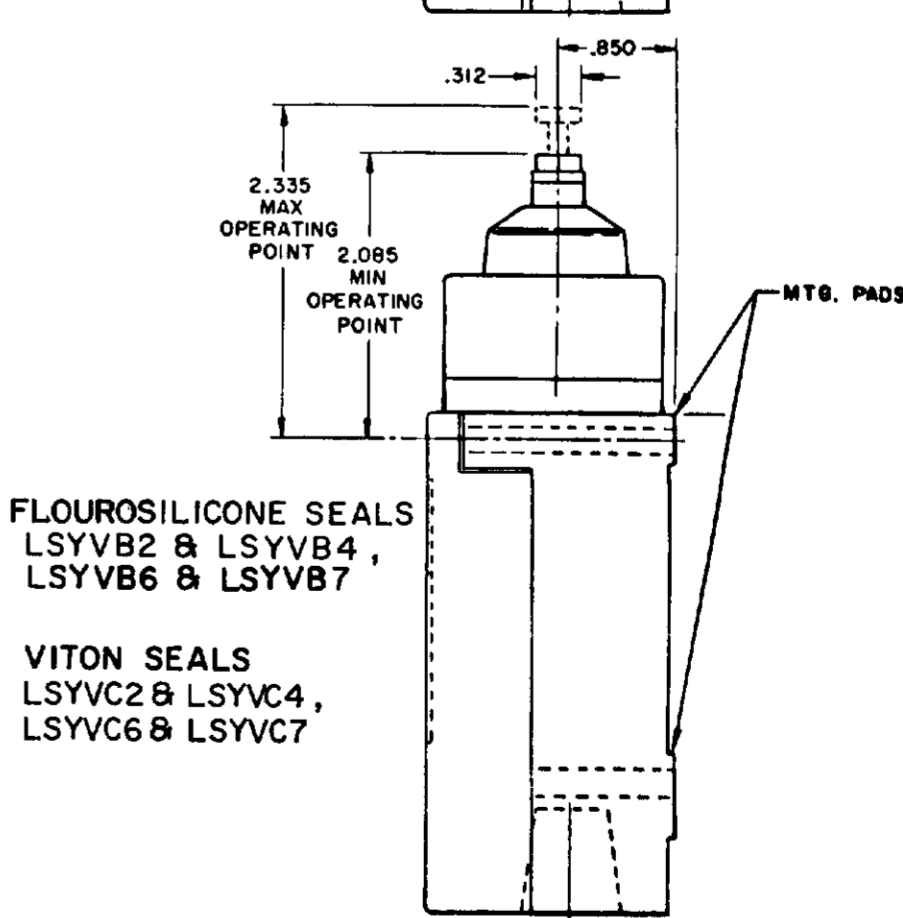
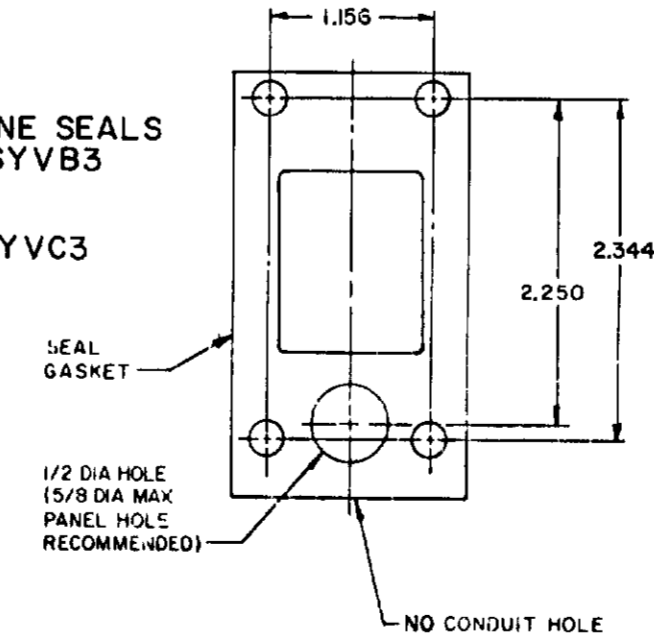
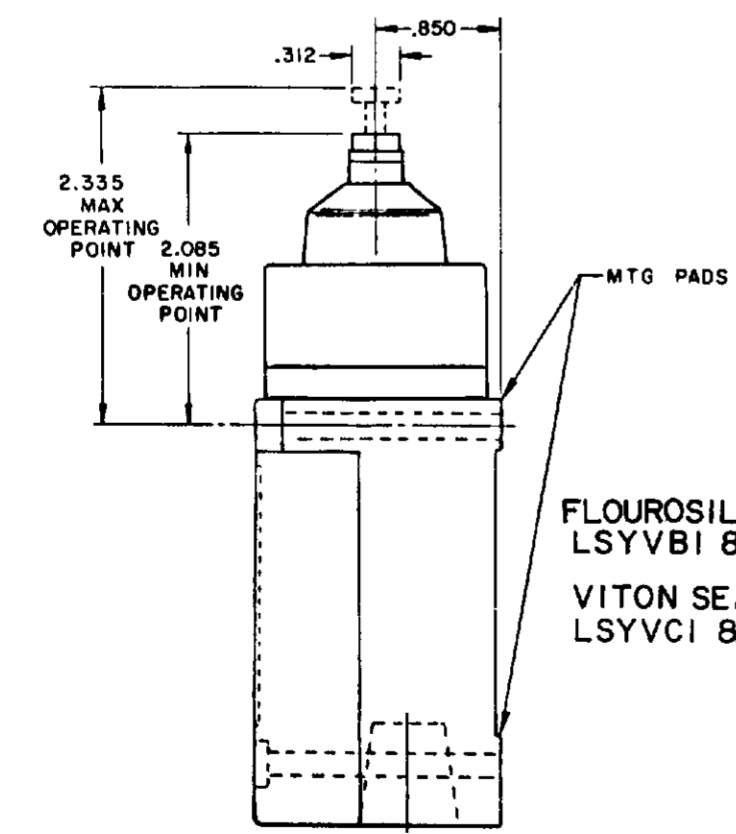
SINGLE POLE PLUG-IN ONLY
WITH INDICATOR LAMP



120 LAMP VOLTAGE -
LSYCB 5, LSYDB5, LSYVB5
LSYCC 5, LSYDC5, LSYVC5
240 LAMP VOLTAGE -
LSYCB8, LSYDB8, LSYVB8
LSYCC8, LSYDC8, LSYVC8



MANIFOLD MOUNT (PLUG-IN ONLY)
SINGLE POLE AND DOUBLE POLE
TYPE LSYA THROUGH LSYW SERIES



NOTES:
1 - ALL UNITS AVAILABLE WITH
FLUOROSILICONE AND VITON SEALS

MICRO SWITCH
THIS DRAWING GOVERNS A PROPRIETARY ITEM AND IS THE PROPERTY OF MICRO SWITCH, A DIVISION OF
MONEYWELL. THIS DRAWING IS NOT TO BE COPIED OR USED WITHOUT THE APPROVAL OF MICRO SWITCH.
A DIVISION OF MONEYWELL
180 W. 50th ST. ST. LOUIS, MO. 63112

SWITCH - ENCLOSED

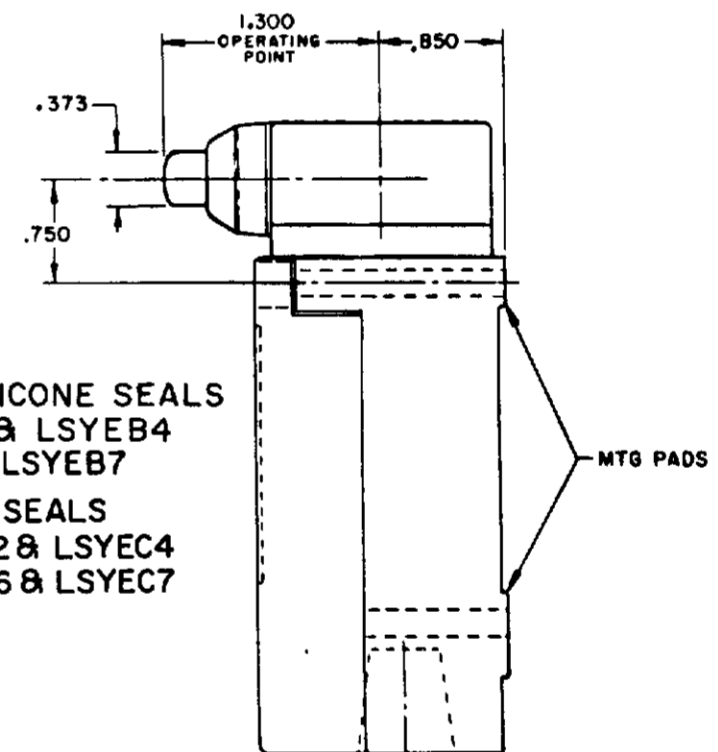
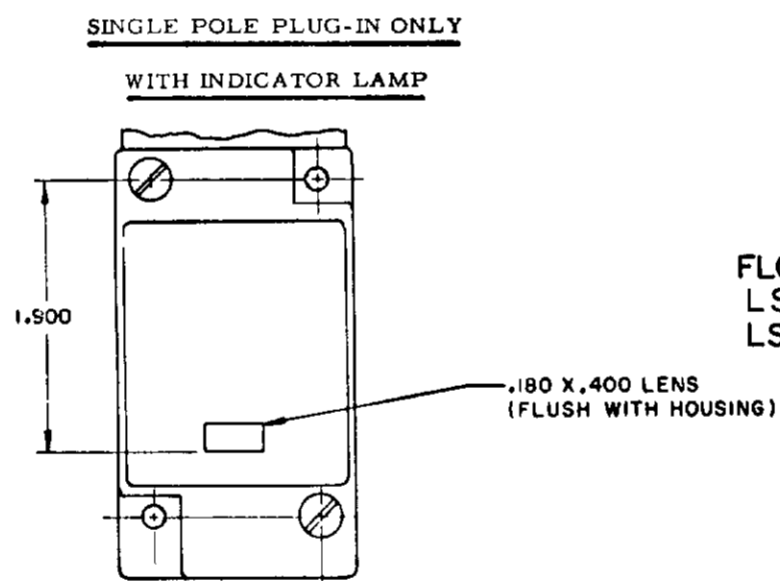
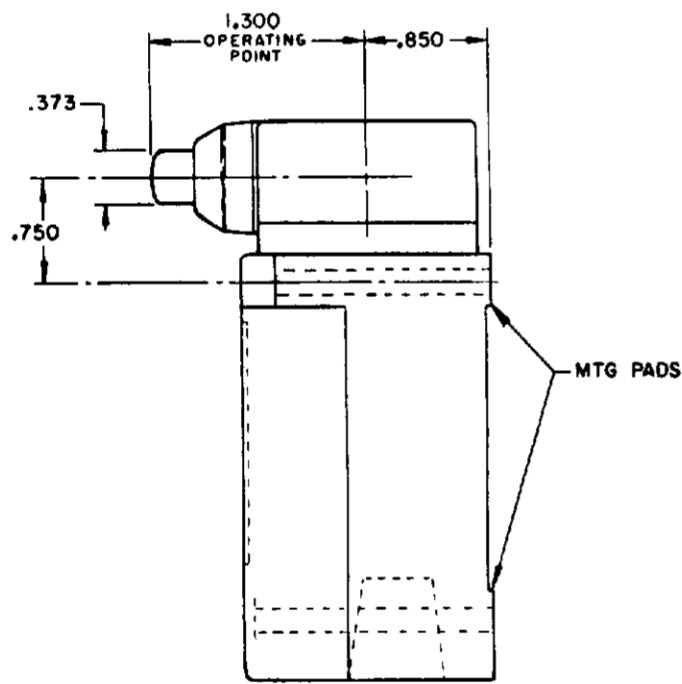
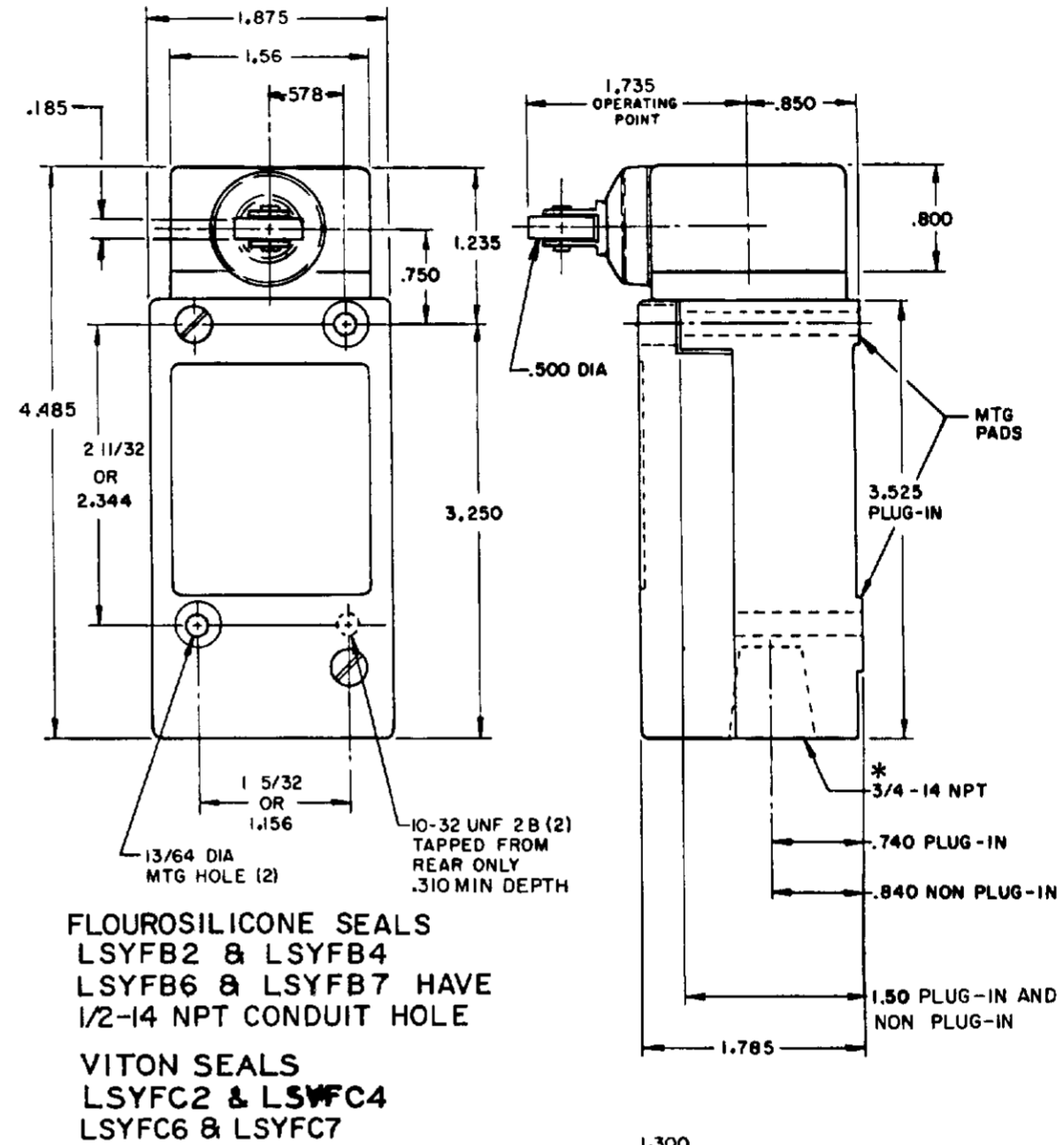
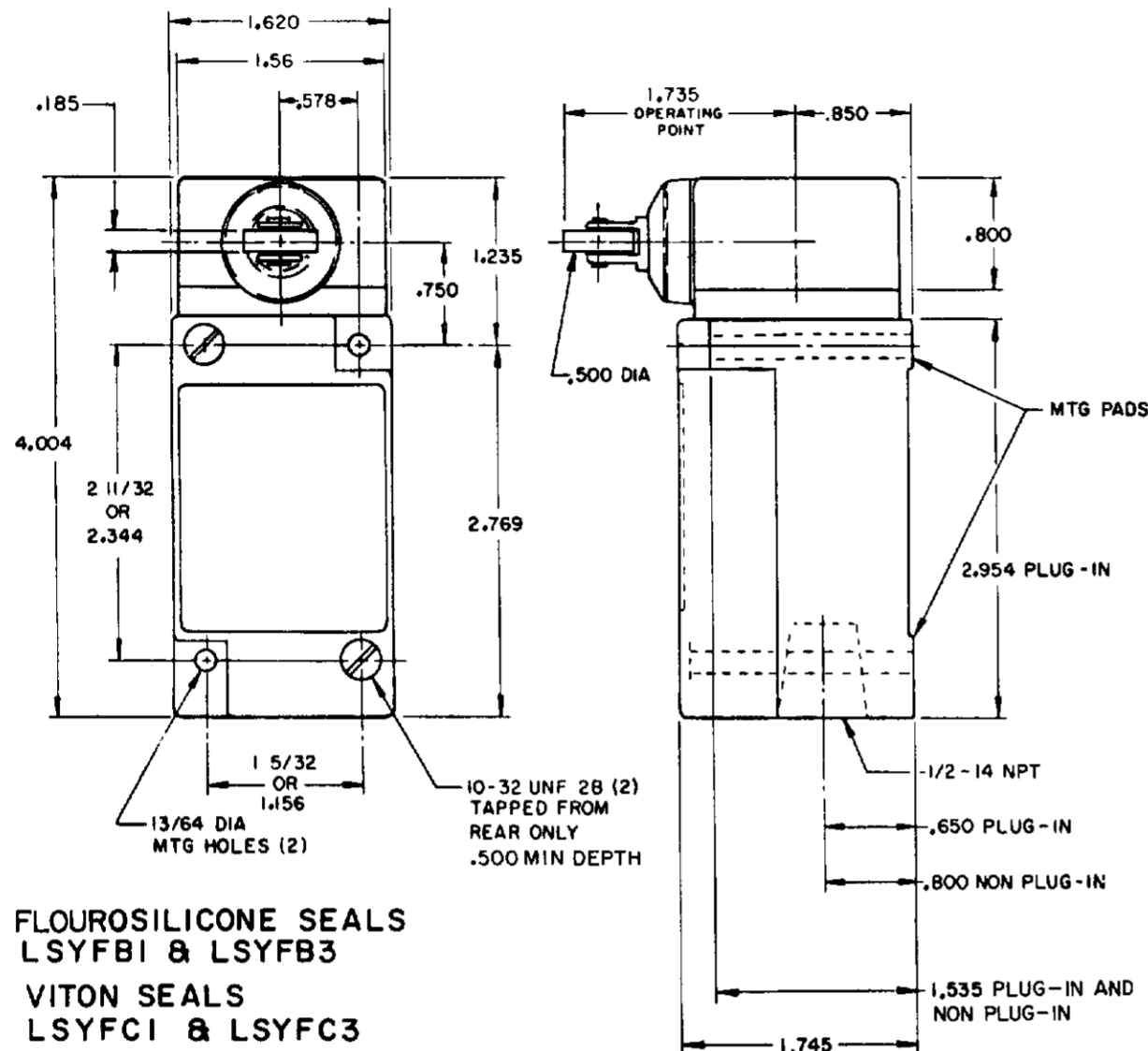
LSY SERIES
CHART 1

SCALE NONE
DO NOT SCALE PRINT

SIDE PLUNGER TYPE

SINGLE POLE

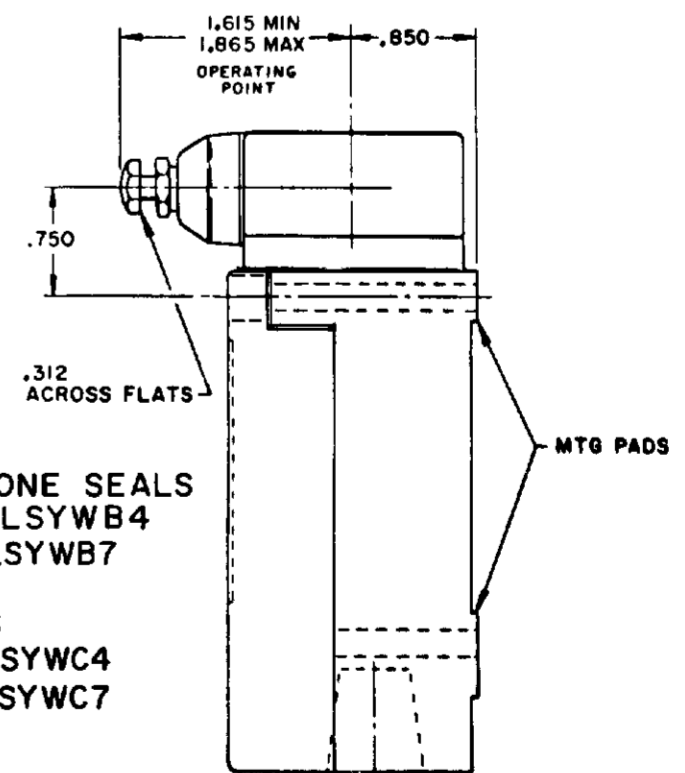
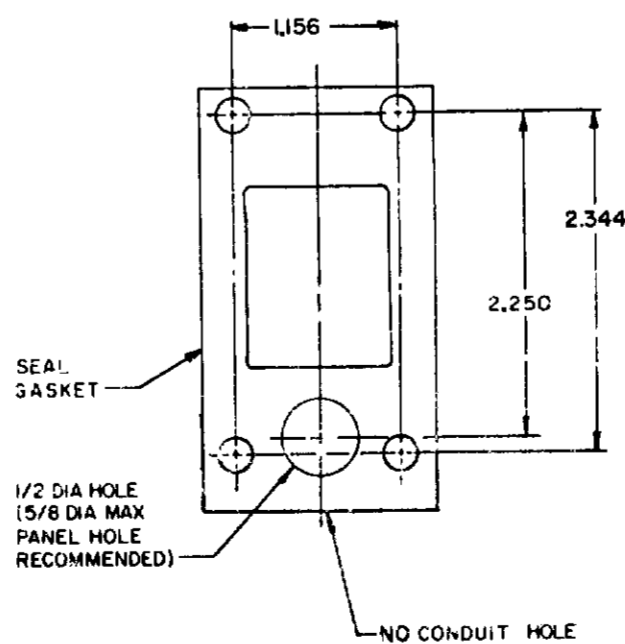
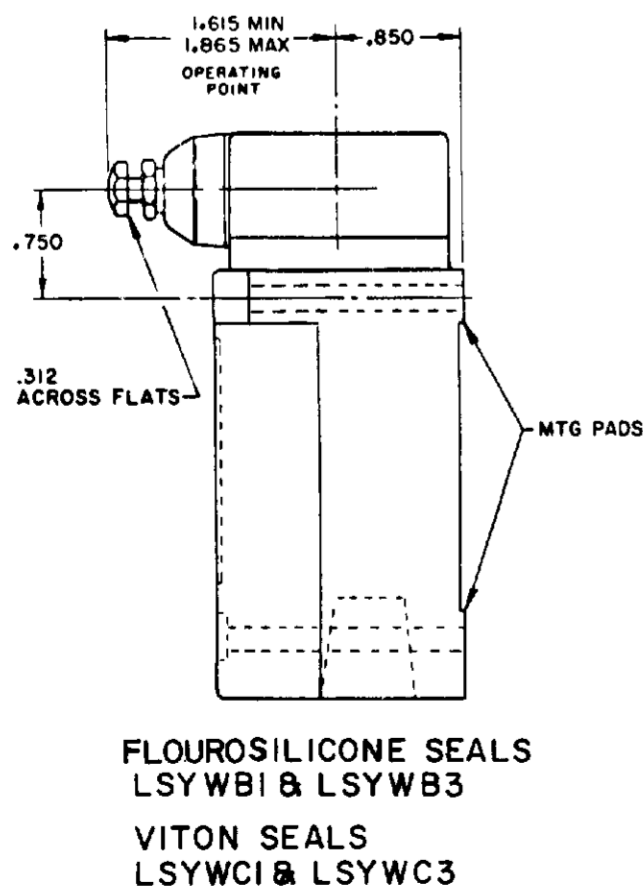
DOUBLE POLE



120 LAMP VOLTAGE -
 LSYFB5, LSYEB5, LSYWB5
 LSYFC5, LSYEC5, LSYWC5

240 LAMP VOLTAGE -
 LSYFB8, LSYEB8, LSYWB8
 LSYFC8, LSYEC8, LSYWC8

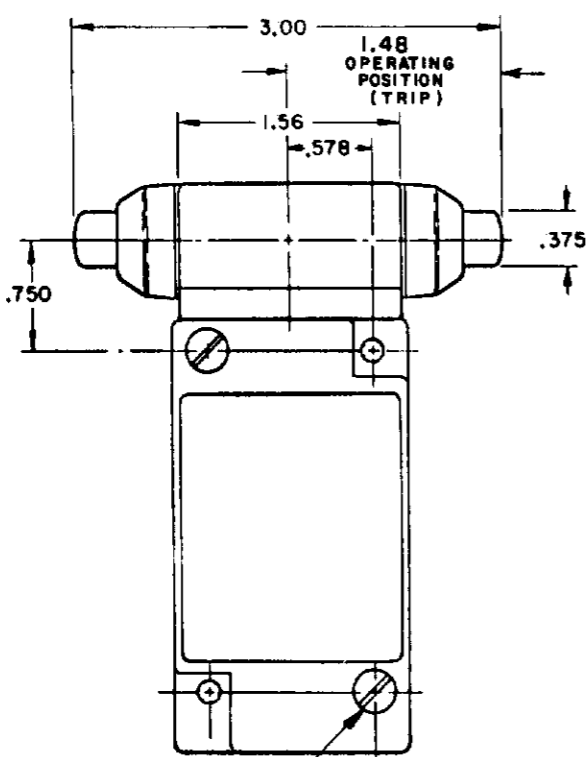
MANIFOLD MOUNT (PLUG-IN ONLY)
SINGLE POLE AND DOUBLE POLE
 TYPE LSYA THROUGH LSYW SERIES



NOTES:
 1 - ALL UNITS AVAILABLE WITH
 FLOUROSILICONE AND VITON SEALS

MICRO SWITCH
 FREEPORT ILLINOIS U.S.A.
 A DIVISION OF HONEYWELL
 REG. U.S. PAT. & TM. OFF.
SWITCH - ENCLOSED
 LSY SERIES
 CATALOG LISTING
CHART 1

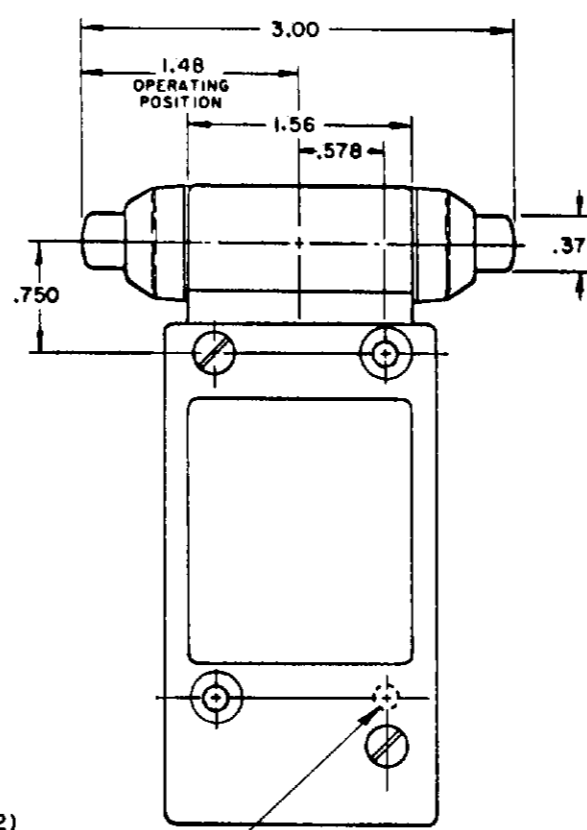
SCALE NONE
 DO NOT SCALE PRINT



10-32 UNF 28(2)
TAPPED FROM REAR ONLY
.500 MIN DEPTH

FLOUROSILICONE SEALS
LSYGB1 & LSYGB3

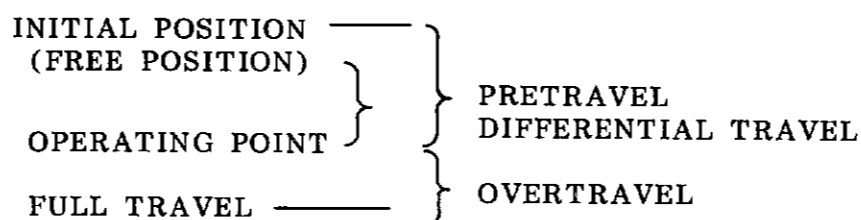
VITON SEALS
LSYGC1 & LSYGC3



10-32 UNF 28(2)
TAPPED FROM REAR ONLY
.310 MIN DEPTH

FLOUROSILICONE SEALS
LSYGB2 & LSYGB4, LSYGB6 & LSYGB7 HAVE 1/2 CONDUIT HOLE)

VITON SEALS
LSYGC2 & LSYGC4 (LSYGC6 &
LSYGC7 HAVE 1/2 CONDUIT HOLE)



OPERATING POINT GIVEN IN RELATION TO TOP MOUNTING HOLE **TOP PLUNGER TYPES**

CHARACTERISTICS	LSYC PLUNGER		LSYD ROLLER PLUNGER		LSYV ADJ PLUNGER		SEQUENCE BASIC		
	SINGLE POLE	DOUBLE POLE	SINGLE POLE	DOUBLE POLE	SINGLE POLE	DOUBLE POLE	LSYC	LSYD	LSYV
PRETRAVEL (MAX)	.070		.070		.070		1ST STEP .070		
DIFFERENTIAL TRAVEL (MAX)	.015	.020	.015	.020	.015	.020	2ND STEP .016 MIN ADD'L		
OVERTRAVEL (MIN)	.190		.190		.190		.170		
OPERATING FORCE (MAX)	4 LBS		4 LBS		4 LBS		4 LBS		
OPERATING POINT	1.805 ± .030		2.200 ± .040		2.085 MIN 2.335 MAX		1ST STEP 1.815±.030 2.210±.040 2.095 MIN / 2.345 MAX		
FULL OVERTRAVEL FORCE (MAX)	7 LBS		7 LBS		7 LBS		7 LBS		

OPERATING POINT GIVEN IN RELATION TO CENTER OF HEAD **SIDE PLUNGER TYPES**

CHARACTERISTICS	LSYE PLUNGER	LSYF ROLLER PLUNGER	LSYW ADJ PLUNGER	LSYG PLUNGER MAINTAINED	SEQUENCE BASIC		
					LSYE	LSYF	LSYW
PRETRAVEL (MAX)	.100	.100	.100	.170	1ST STEP .100		
DIFFERENTIAL TRAVEL (MAX)	.045	.045	.045	.090	2ND STEP .020 MIN ADD'L		
OVERTRAVEL (MIN)	.190	.190	.190	.080	.170		
OPERATING FORCE (MAX)	6 LBS	6 LBS	6 LBS	10 LBS	6 LBS		
OPERATING POINT	1.300 ± .030	1.735 ± .040	1.615 MIN 1.865 MAX	1.480 ± .030	1ST STEP 1.310±.030 1.745±.040 1.625 MIN / 1.875 MAX		
FULL OVERTRAVEL FORCE (MAX)	6 LBS	6 LBS	6 LBS	10 LBS	6 LBS		

MICRO SWITCH
A DIVISION OF HONEYWELL

SWITCH - ENCLOSED

LSY SERIES
CATALOG LISTING

WEIGHT

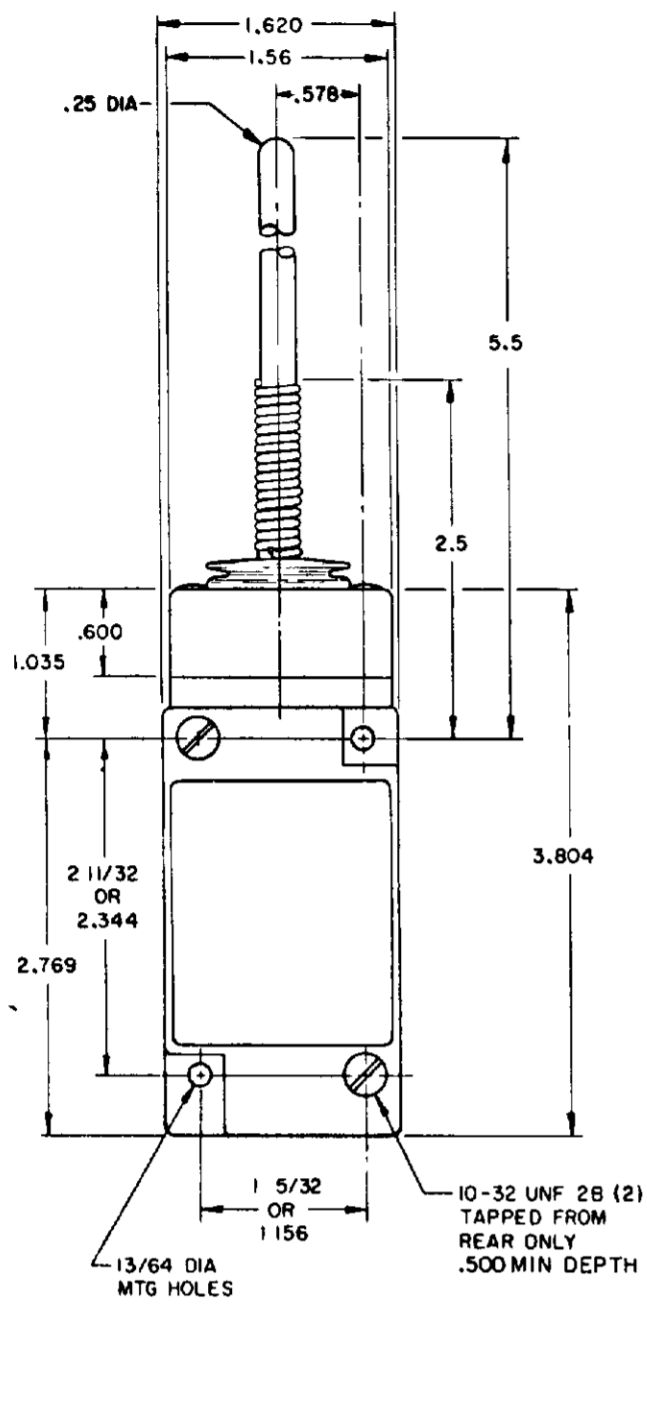
THIRD ANGLE PROJECTION
SCALE NONE
DO NOT SCALE PRINT
TOLERANCES
DIMENSIONS TO CENTER UNLESS OTHERWISE SPECIFIED
DIMENSIONS TO SURFACE UNLESS OTHERWISE SPECIFIED
DIMENSIONS TO HOLE UNLESS OTHERWISE SPECIFIED
DIMENSIONS TO EDGE UNLESS OTHERWISE SPECIFIED
DIMENSIONS TO CENTER UNLESS OTHERWISE SPECIFIED
DIMENSIONS TO SURFACE UNLESS OTHERWISE SPECIFIED
DIMENSIONS TO HOLE UNLESS OTHERWISE SPECIFIED
DIMENSIONS TO EDGE UNLESS OTHERWISE SPECIFIED

DESIGN UNITS
DIMENSIONS IN INCHES
DIMENSIONS IN MILLIMETERS
DIMENSIONS IN METRIC
DIMENSIONS IN DECIMALS
DIMENSIONS IN FRACTIONS
DIMENSIONS IN MIXED FRACTIONS
DIMENSIONS IN WHOLE NUMBERS
DIMENSIONS IN COMBINATION

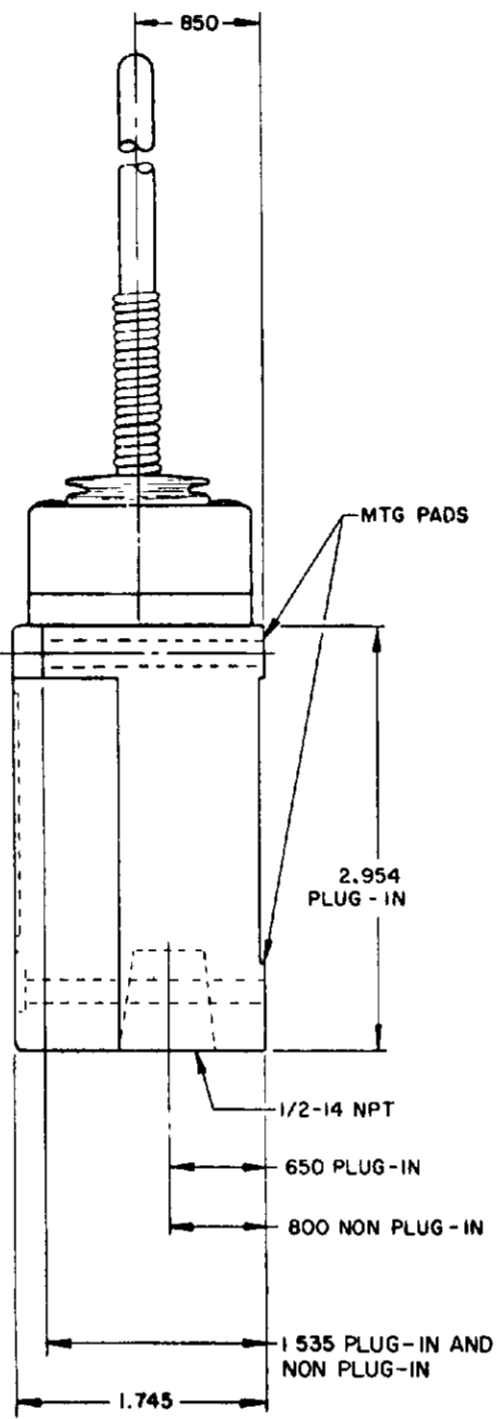
WOBBLE STICK

SINGLE POLE

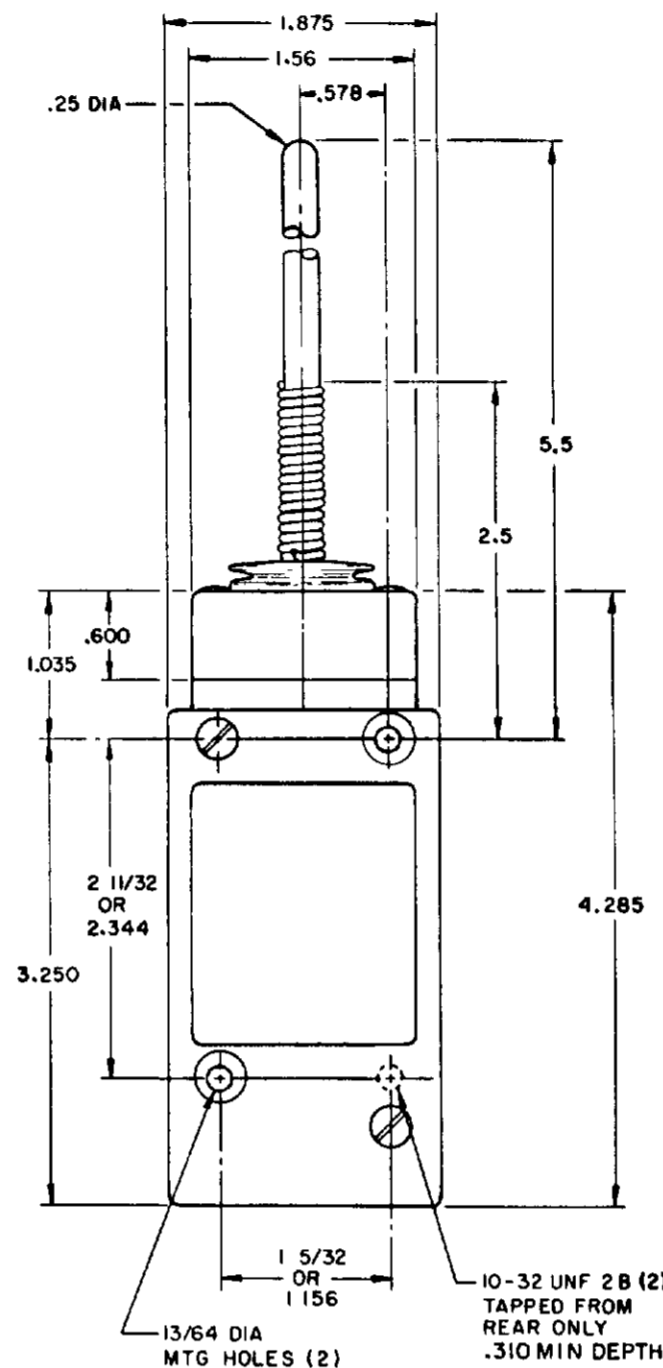
DOUBLE POLE



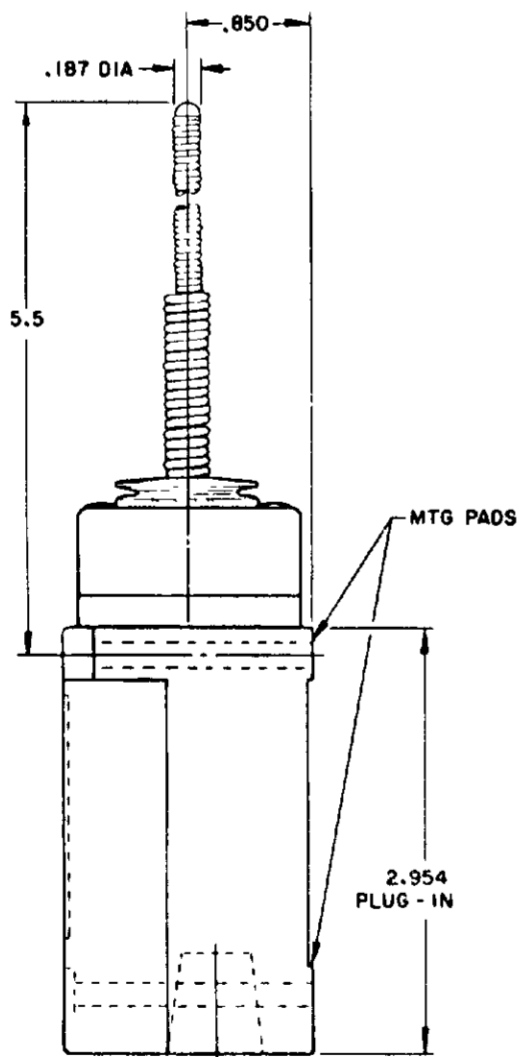
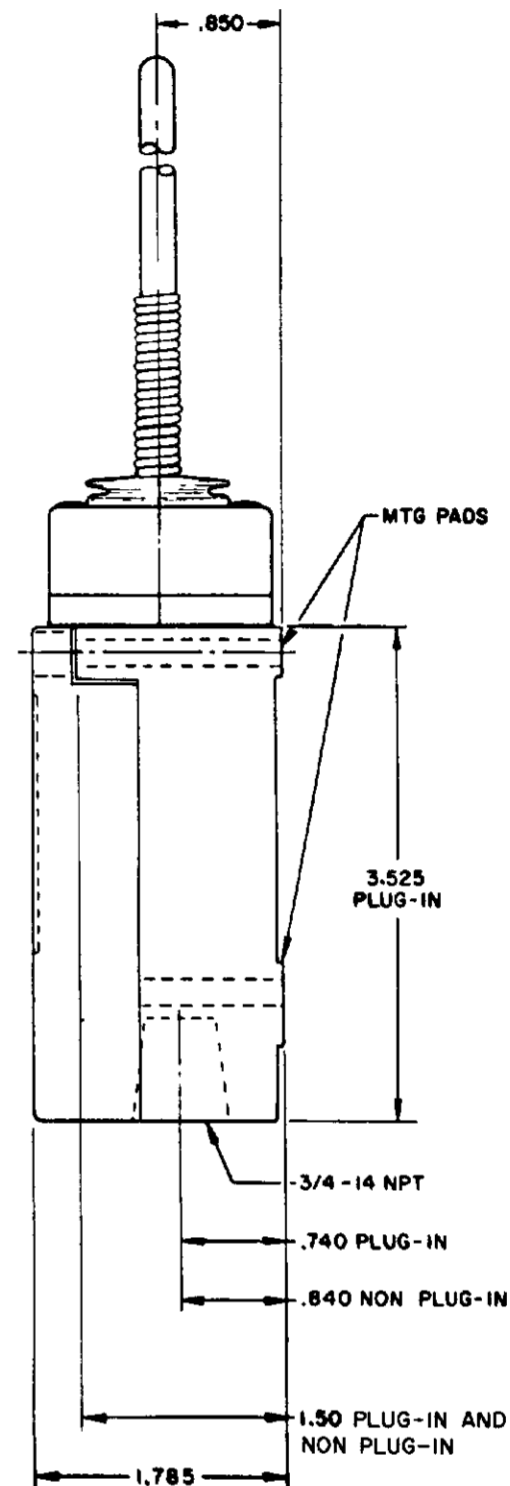
**PLASTIC EXTENSION
TYPE 7A ACTUATOR**



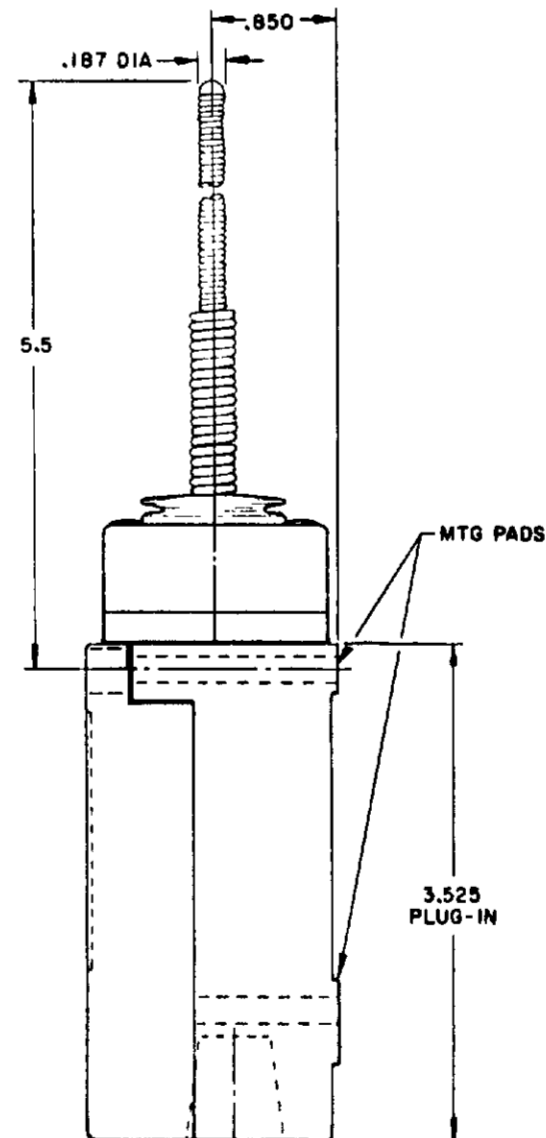
**REPLACEMENT ACTUATOR
LSZ 4009**



**PLASTIC EXTENSION
TYPE 7A ACTUATOR**

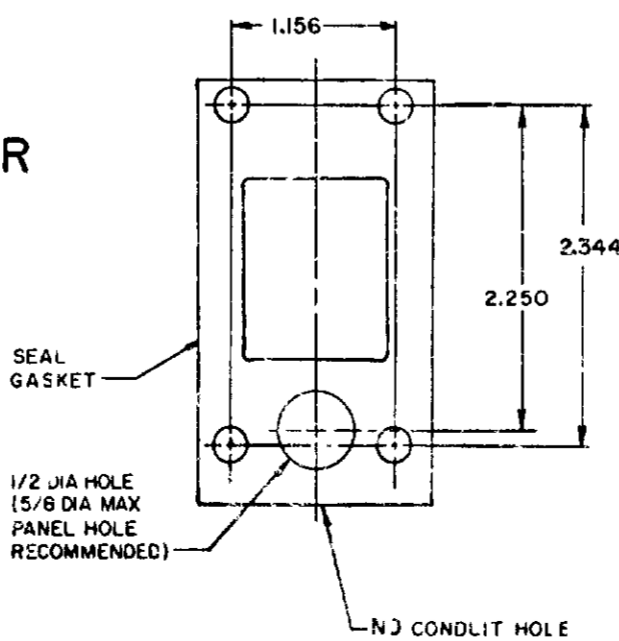


**CABLE EXTENSION
TYPE 7N ACTUATOR**



**CABLE EXTENSION
TYPE 7N ACTUATOR**

**REPLACEMENT ACTUATOR
LSZ 4011**



**MANIFOLD MOUNT (PLUG-IN ONLY)
SINGLE POLE AND DOUBLE POLE
TYPE LSYA THROUGH LSYW SERIES**

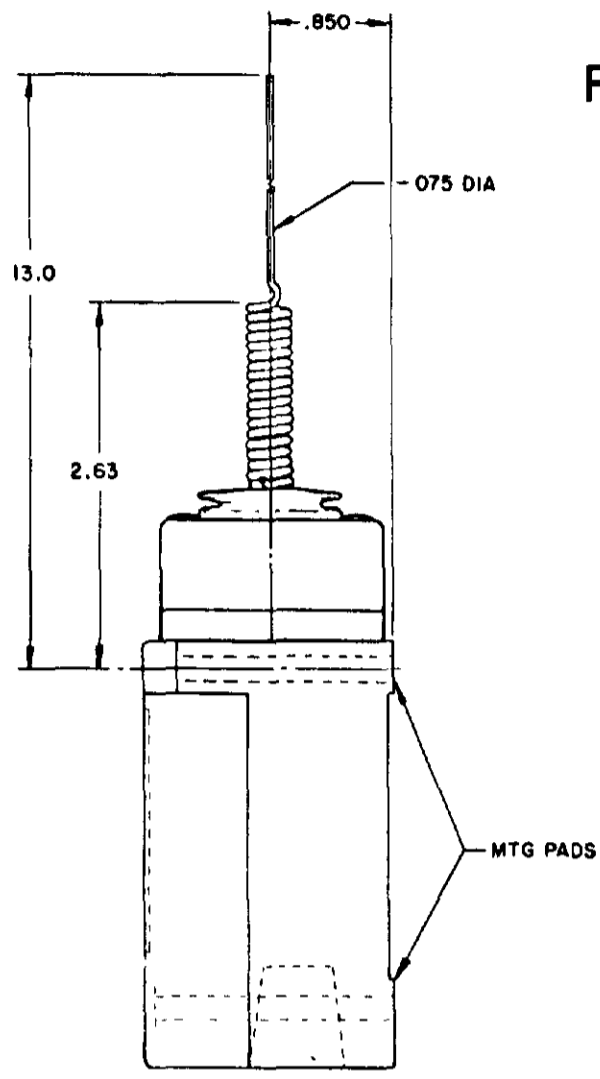
NOTES:
1 - ALL UNITS AVAILABLE WITH
FLUOROSILICONE AND VITON SEALS

MICRO SWITCH
FREEMONT ILLINOIS U.S.A.
A DIVISION OF HONEYWELL
780 MFG. CODE 8188

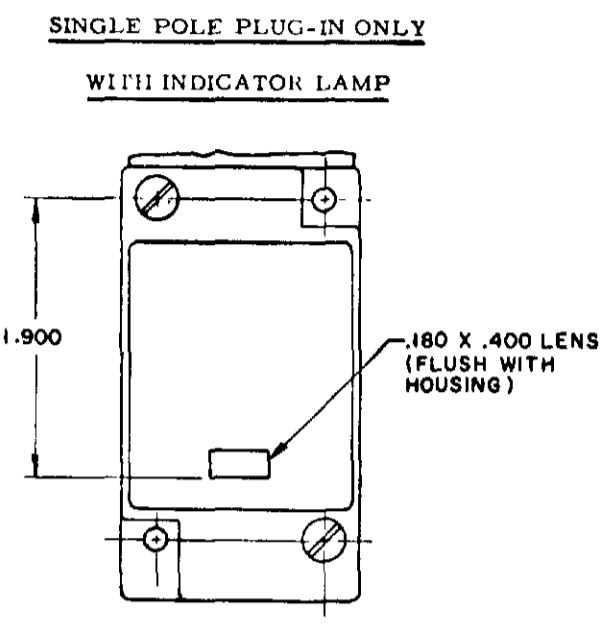
SWITCH-ENCLOSED

LSY SERIES
CATALOG LISTING
CHART 1

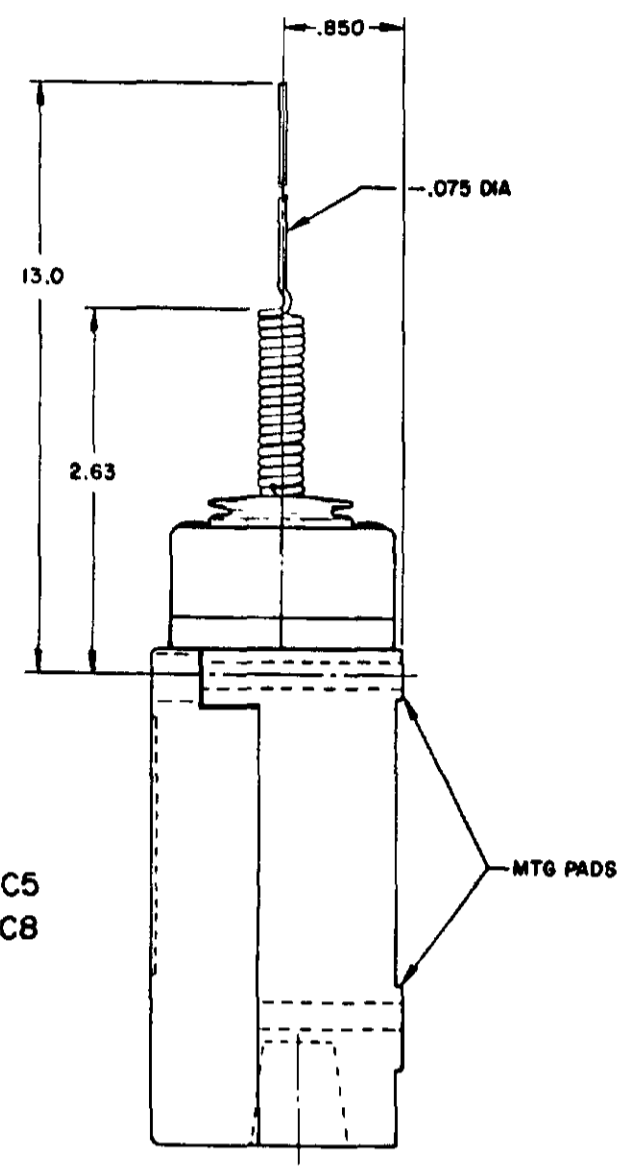
SCALE NONE
DO NOT SCALE PRINT



REPLACEMENT ACTUATOR LSZ4010



SINGLE POLE PLUG-IN ONLY
 WITH INDICATOR LAMP
 120 LAMP VOLTAGE TYPE-LSYJB5 & LSYJC5
 240 LAMP VOLTAGE TYPE-LSYJB8 & LSYJC8



WIRE EXTENSION TYPE 7M ACTUATOR

FLOUROSILICONE SEALS
 LSYJB1 & LSYJB3

VITON SEALS
 LSYJC1 & LSYJC3

WIRE EXTENSION TYPE 7M ACTUATOR

FLOUROSILICONE SEALS
 LSYJB2 & LSYJB4

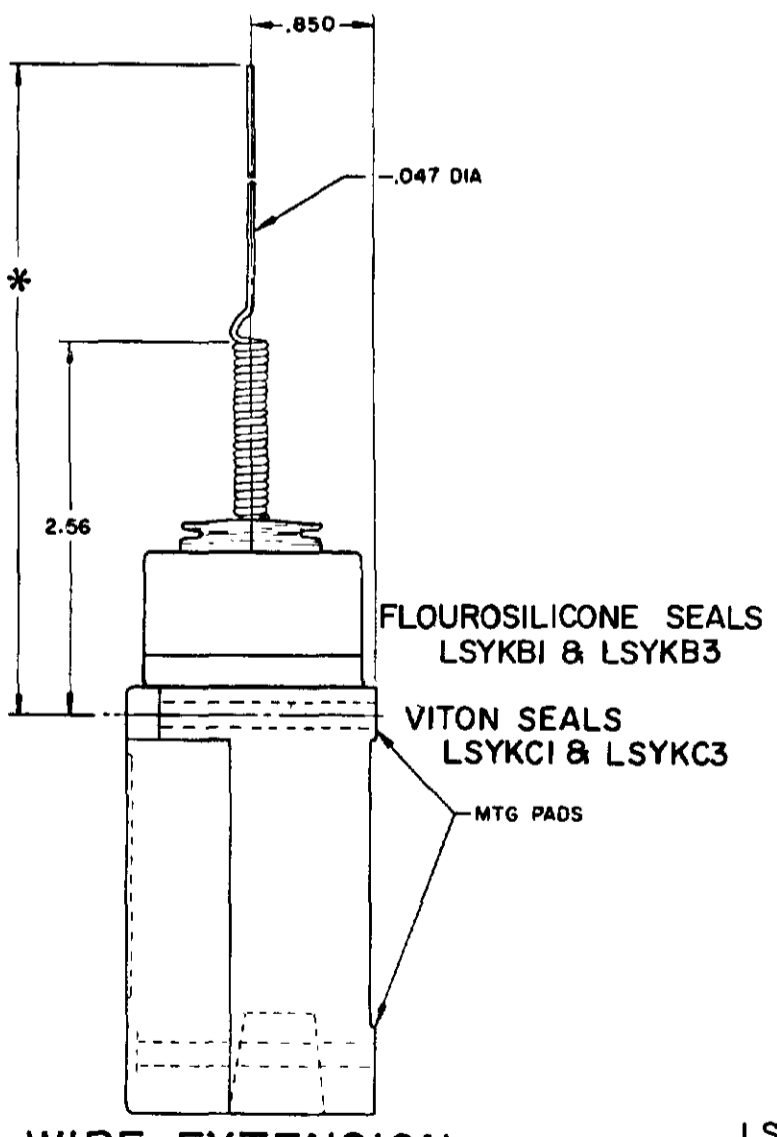
LSYJB6 & LSYJB7 HAVE 1/2-14 NPT CONDUIT HOLE

VITON SEALS LSYJC2 & LSYJC4
 LSYJC6 & LSYJC7 HAVE 1/2-14 NPT CONDUIT HOLE

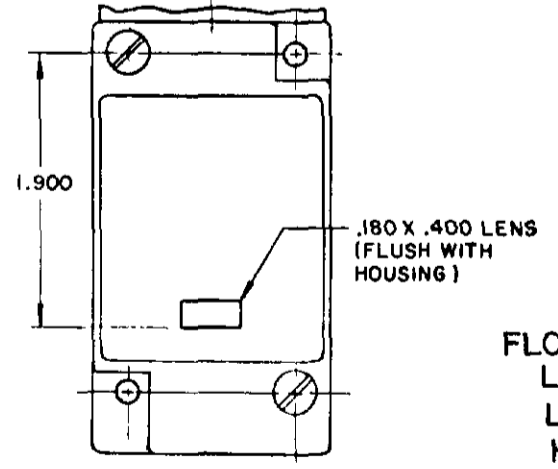
REPLACEMENT ACTUATOR LSZ 4010

CAT WHISKER

SINGLE POLE



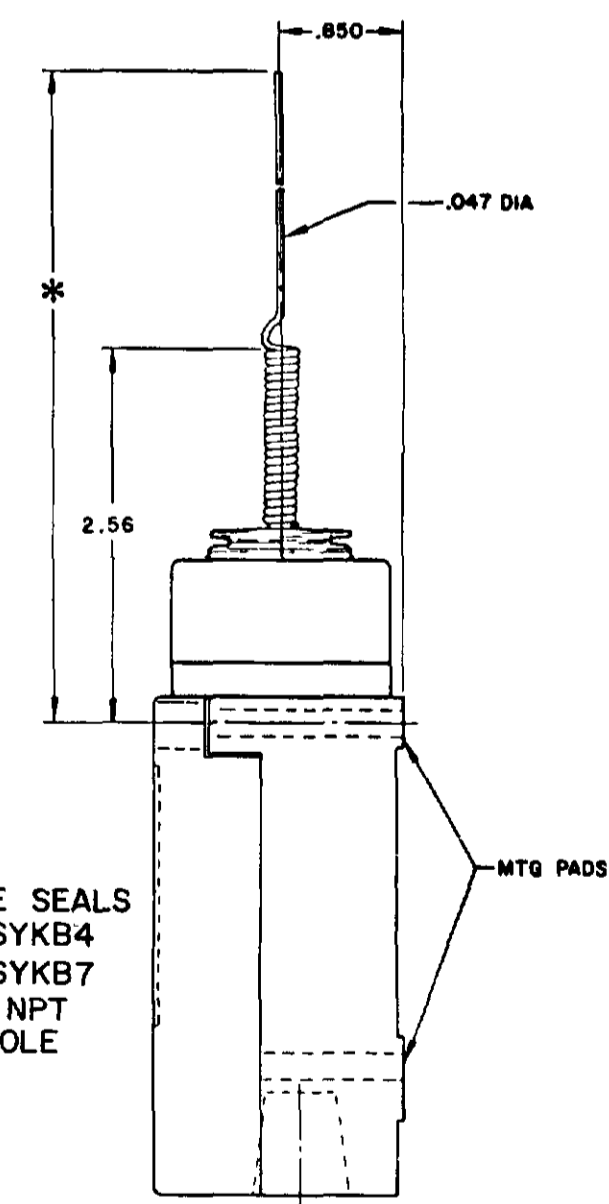
SINGLE POLE PLUG-IN ONLY
 WITH INDICATOR LAMP



FLOUROSILICONE SEALS
 120 LAMP VOLTAGE
 LSYKB5 CAT WHISKER LSYBB5 TOP ROTARY
 240 LAMP VOLTAGE
 LSYKB8 CAT WHISKER LSYBB8 TOP ROTARY

VITON SEALS
 120 LAMP VOLTAGE
 LSYKC5 CAT WHISKER LSYBC5 TOP ROTARY
 240 LAMP VOLTAGE
 LSYKC8 CAT WHISKER LSYBC8 TOP ROTARY

DOUBLE POLE



FLOUROSILICONE SEALS
 LSYKB2 & LSYKB4
 LSYKB6 & LSYKB7
 HAVE 1/2-14 NPT
 CONDUIT HOLE

WIRE EXTENSION REPLACEMENTS

*TYPE 8 A ACTUATOR 5.5 IN. - LSZ 4012
 TYPE 8 B ACTUATOR 7.5 IN. - LSZ 4013
 TYPE 8 C ACTUATOR 5.5 IN. - LSZ 4014

WIRE EXTENSION
 *TYPE 8 A ACTUATOR 5.5 IN.
 TYPE 8 B ACTUATOR 7.5 IN.
 TYPE 8 C COIL ACTUATOR 5.5 IN

MICRO SWITCH
 THIS DRAWING COVERS A PROPRIETARY ITEM AND IS THE PROPERTY OF MICRO SWITCH A DIVISION OF HONEYWELL. THIS DRAWING IS NOT TO BE COPIED OR USED WITHOUT THE APPROVAL OF MICRO SWITCH.
 MICRO SWITCH
 FREEPORT, ILLINOIS, U.S.A.
 A DIVISION OF HONEYWELL
 FIG. 876 CODE 8188
SWITCH - ENCLOSED
 LSY SERIES
 CHART 1

SCALE NONE
 DO NOT SCALE PRINT

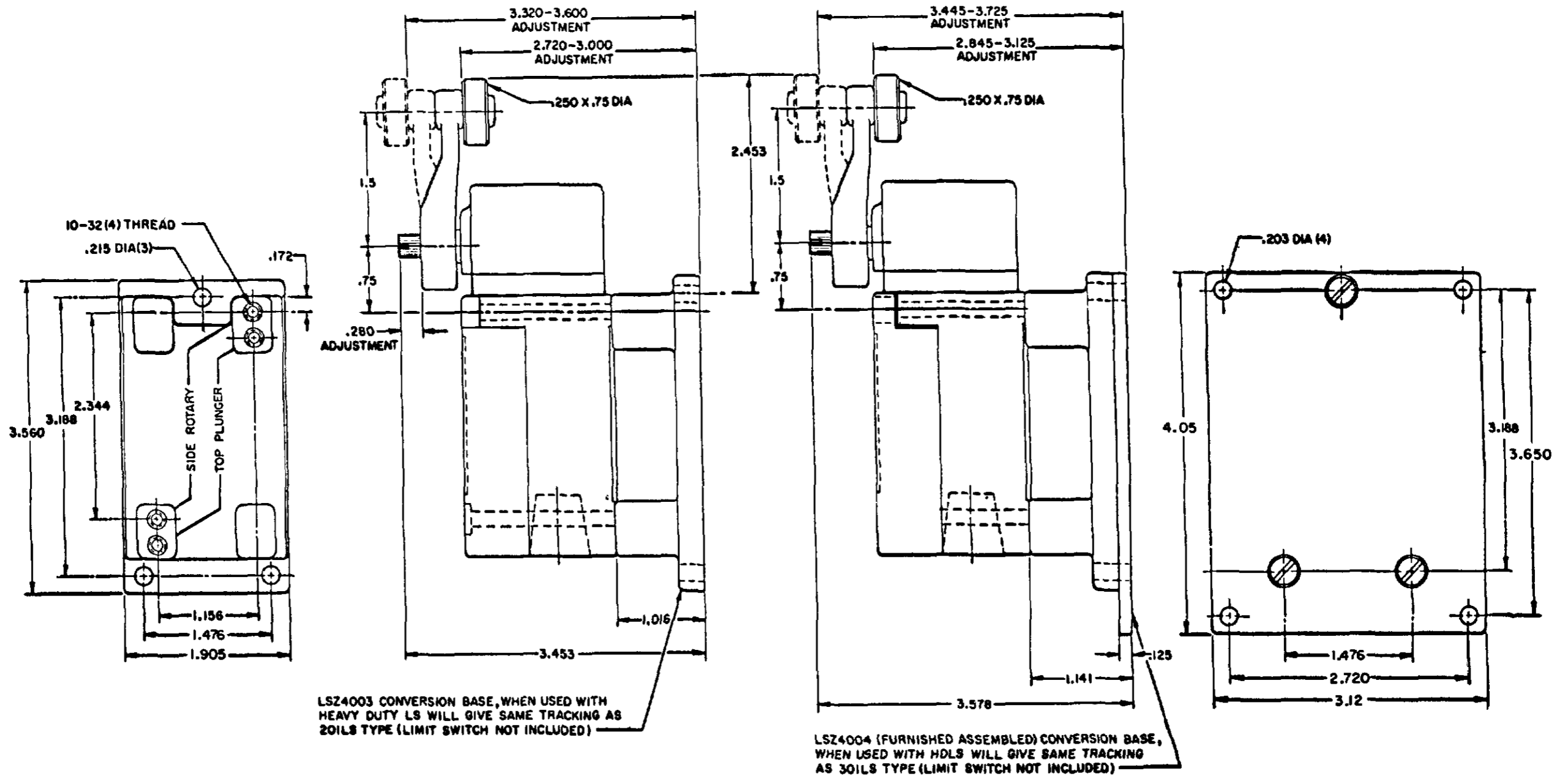
PRETRAVEL (APPROX) IN. RADIUS	CAT WHISKER			WOBBLE STICK		
	5/12" COIL	5/12" WIRE	7/12" WIRE	ROD	CABLE	WIRE
	2	2	4.5	1.0	1.5	4.0
OPERATING FORCE-OZ (MAX)	7.0	5.0	3.0	10.0	7.0	5.0

NOTE-
 1 - ALL UNITS AVAILABLE WITH
 FLOUROSILICONE AND VITON SEALS

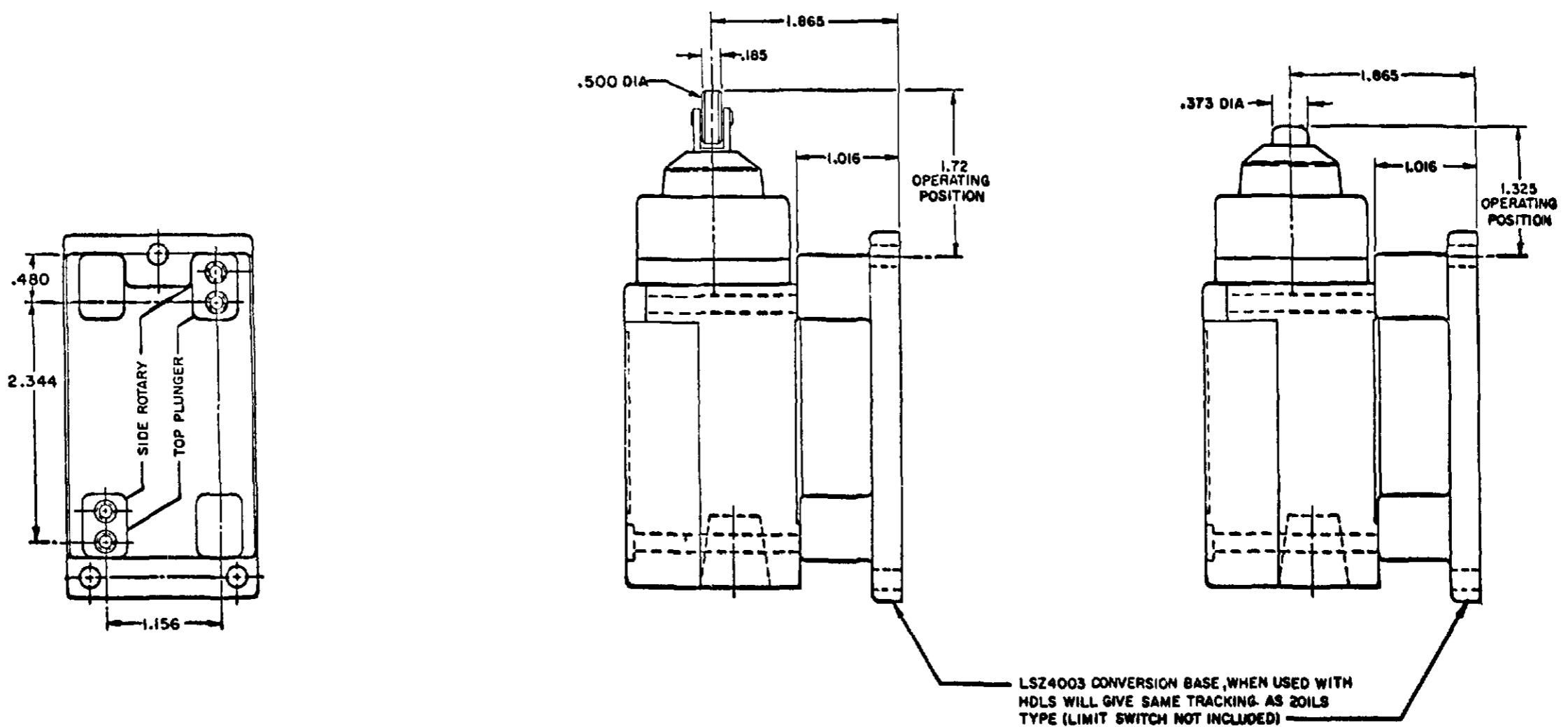
CONVERSION BASES

SINGLE POLE (SIDE ROTARY) LSZ 4003

DOUBLE POLE (SIDE ROTARY) LSZ4004



SINGLE POLE TOP PLUNGER LSZ4003



MICRO SWITCH
 A DIVISION OF HONEYWELL
 PREPARED ILLINOIS U.S.A.
 F.D. MFG. CODE 8188

THIS DRAWING COVERS A PROPRIETARY ITEM AND IS THE PROPERTY OF MICRO SWITCH, A DIVISION OF HONEYWELL. THIS DRAWING IS NOT TO BE COPIED OR USED WITHOUT THE APPROVAL OF MICRO SWITCH.

SWITCH - ENCLOSED

LSY SERIES
 CATALOG LISTING
 CHART 1

SCALE FULL
 DO NOT SCALE PRINT



Компания «ЭлектроПласт» предлагает заключение долгосрочных отношений при поставках импортных электронных компонентов на взаимовыгодных условиях!

Наши преимущества:

- Оперативные поставки широкого спектра электронных компонентов отечественного и импортного производства напрямую от производителей и с крупнейших мировых складов;
- Поставка более 17-ти миллионов наименований электронных компонентов;
- Поставка сложных, дефицитных, либо снятых с производства позиций;
- Оперативные сроки поставки под заказ (от 5 рабочих дней);
- Экспресс доставка в любую точку России;
- Техническая поддержка проекта, помощь в подборе аналогов, поставка прототипов;
- Система менеджмента качества сертифицирована по Международному стандарту ISO 9001;
- Лицензия ФСБ на осуществление работ с использованием сведений, составляющих государственную тайну;
- Поставка специализированных компонентов (Xilinx, Altera, Analog Devices, Intersil, Interpoint, Microsemi, Aeroflex, Peregrine, Syfer, Eurofarad, Texas Instrument, Miteq, Cobham, E2V, MA-COM, Hittite, Mini-Circuits, General Dynamics и др.);

Помимо этого, одним из направлений компании «ЭлектроПласт» является направление «Источники питания». Мы предлагаем Вам помощь Конструкторского отдела:

- Подбор оптимального решения, техническое обоснование при выборе компонента;
- Подбор аналогов;
- Консультации по применению компонента;
- Поставка образцов и прототипов;
- Техническая поддержка проекта;
- Защита от снятия компонента с производства.



Как с нами связаться

Телефон: 8 (812) 309 58 32 (многоканальный)

Факс: 8 (812) 320-02-42

Электронная почта: org@eplast1.ru

Адрес: 198099, г. Санкт-Петербург, ул. Калинина, дом 2, корпус 4, литера А.