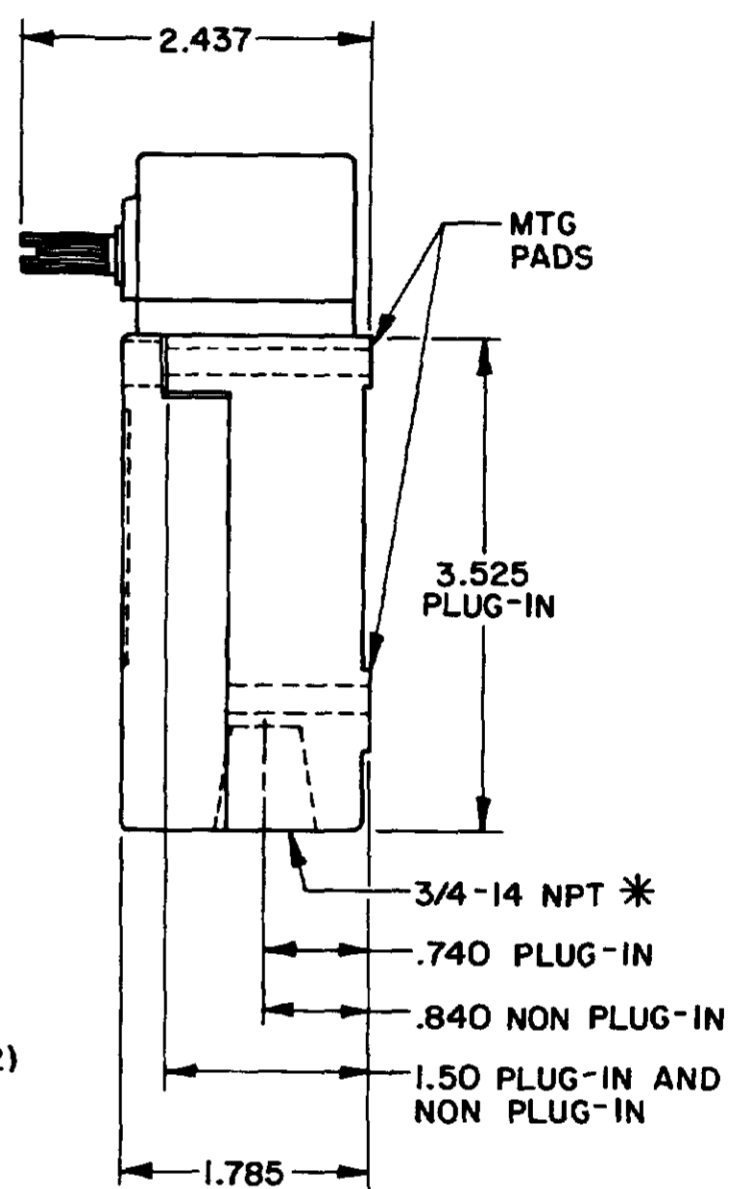
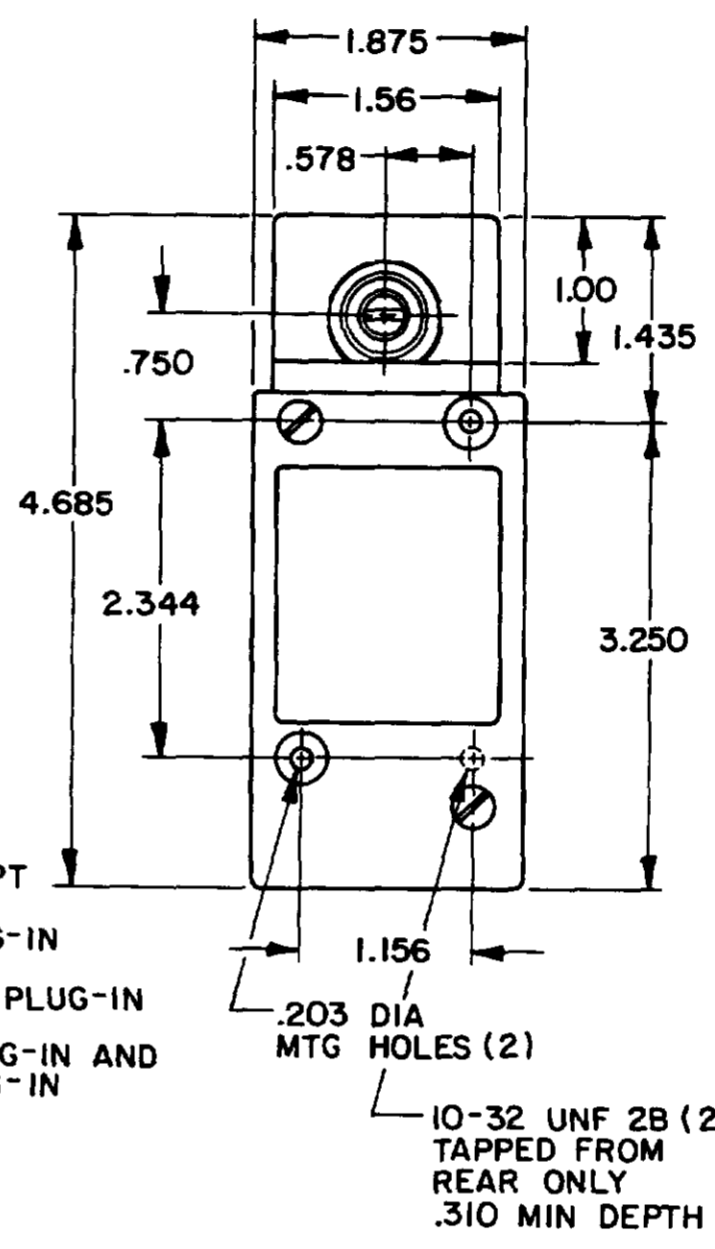
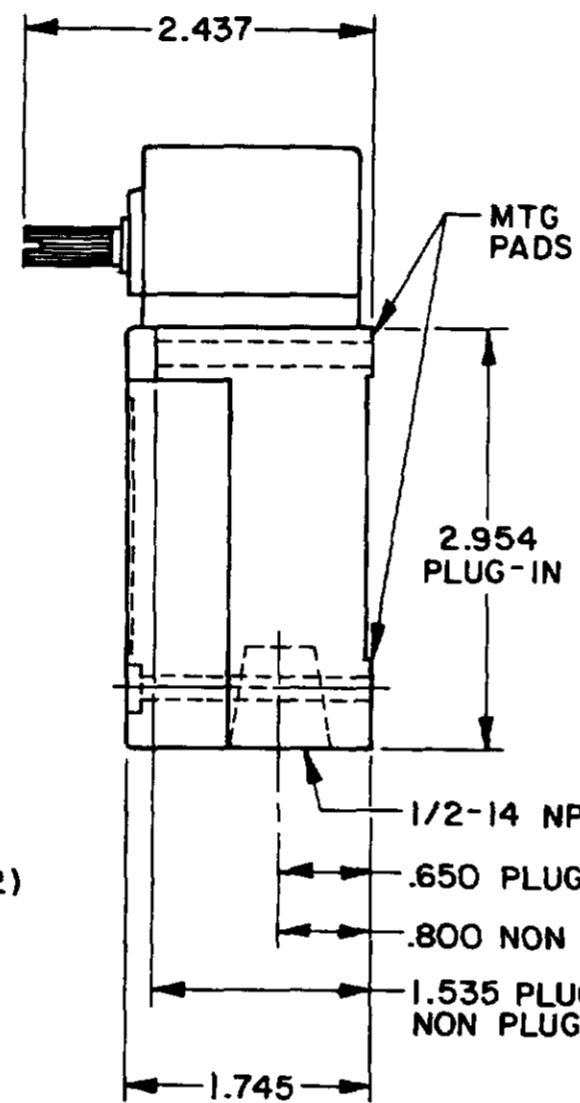
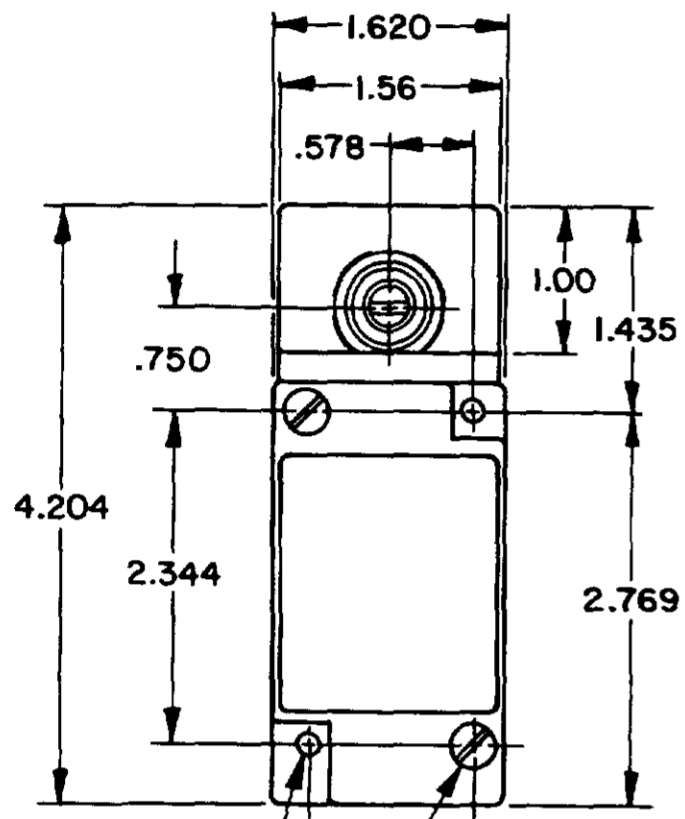


| OPERATING CHARACTERISTICS | LSYA | | LSYR | | LSYN | LSP | | LSYH | | LSYL | LSYM | LSYS | LSYU | |
|---------------------------|-------------------|-------------------|----------------------|-------------------|------------|--|-------------------|--|-------------------|------------------------------------|---------------------------------|----------------|----------------|----------------|
| | MOMENTARY | | MOMENTARY LOW TORQUE | | MAINTAINED | MOMENTARY LOW PRETRAVEL AND DIFF. TRAVEL | | MOMENTARY LOW PRETRAVEL AND LOW TORQUE | | SEQUENCE DOUBLE POLE ONLY | CENTER NEUTRAL DOUBLE POLE ONLY | GRAVITY RETURN | LOW PRETRAVEL | |
| PRETRAVEL(MAX) | 15° | | 15° | | 65° | 9° | | 9° | | 1ST STEP 15° 2ND STEP 10° ADD'L | 18° | NOT APPLICABLE | 5° | |
| OVERTRAVEL(MIN) | 60° | | 60° | | 20° | 68° | | 68° | | 48° | 57° | NOT APPLICABLE | 70° | |
| DIFFERENTIAL TRAVEL(MAX) | SINGLE POLE 5° | DOUBLE POLE 7° | SINGLE POLE 5° | DOUBLE POLE 7° | 40° | SINGLE POLE 3° | DOUBLE POLE 4° | SINGLE POLE 3° | DOUBLE POLE 4° | 5° | 10° | 12° | SGL POLE 3° | DBL POLE 4° |
| TOTAL TRAVEL (REF) | 75° | | 75° | | 90° | 75° | | 75° | | 75° | 75° | 360° | 75° | |
| OPERATING TORQUE(MAX) | 4 IN. LBS | | 1.7 IN. LBS | | 4 IN. LBS | 4 IN. LBS | | 1.7 IN. LBS | | 4 IN. LBS | 4 IN. LBS | 5 IN-OZ | 4 IN. LBS | |
| FULL TRAVEL TORQUE(MAX) | 4 IN. LBS | | 1.7 IN. LBS | | | 4 IN. LBS | | 1.7 IN. LBS | | 4 IN. LBS | 4 IN. LBS | 5 IN-OZ | 4 IN. LBS | |

SIDE ROTARY

SINGLE POLE

DOUBLE POLE

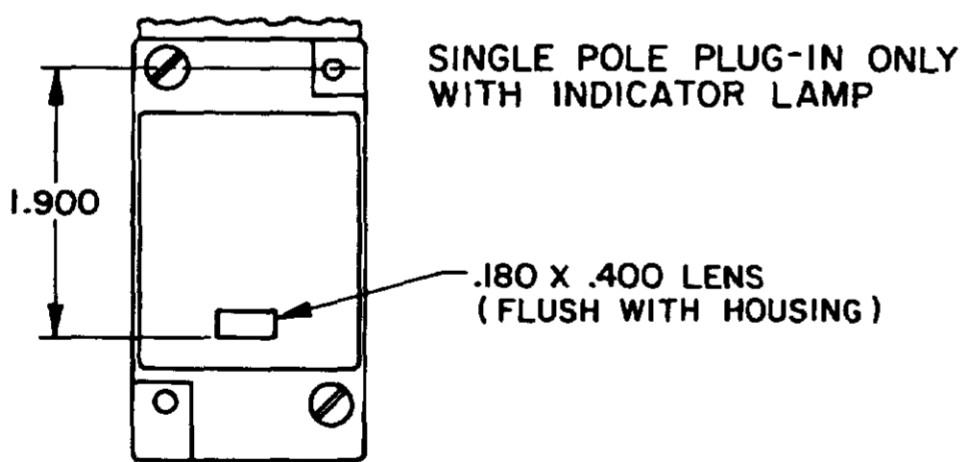


FLOUROSILICONE SEALS: LSYABI, LSYHBI, LSYNBI, LSPYBI, LSYRBI, LSYHB3, LSPYB3, LSYRB3, LSYSB1
 VITON: LSYAC1, LSYHC1, LSYNC1, LSPYCI, LSYRC1, LSYAC3, LSYHC3, LSYNC3, LSPYCI, LSYRC3, LSYSCI

FLOUROSILICONE SEALS: LSYAB2, LSYHB2, LSYMB2, LSYNB2, LSPYB2, LSYRB2, LSYAB4, LSYHB4, LSYMB4, LSYNB4, LSPYB4, LSYRB4

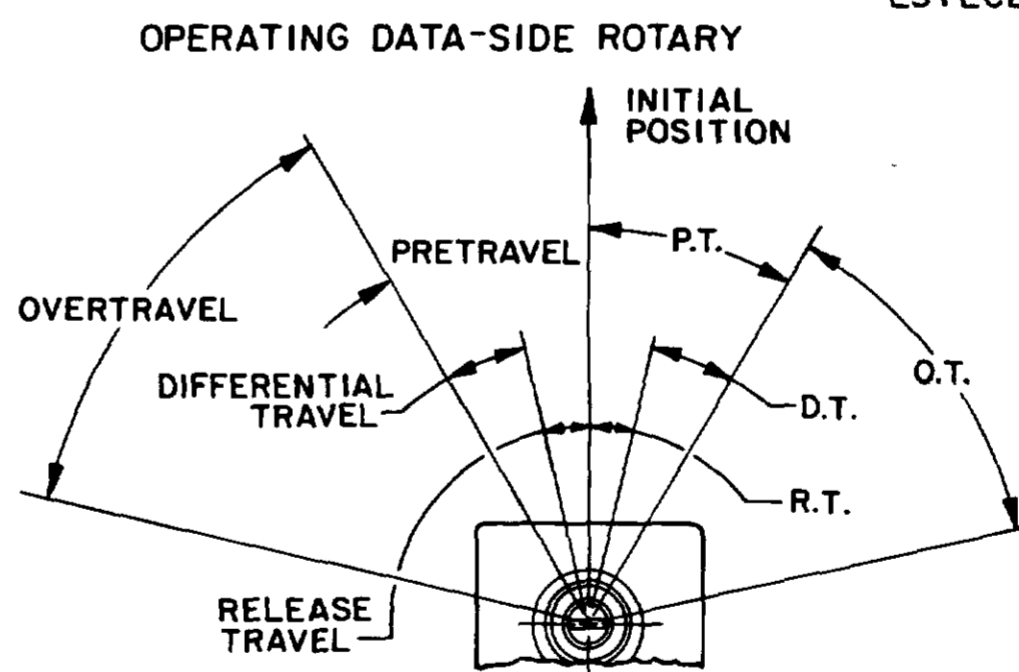
* (LSYAB6, LSYHB6, LSYMB6, LSYNB6, LSPYB6, LSYRB6, LSYAB7, LSYHB7, LSYMB7, LSYNB7, LSPYB7, LSYRB7 HAVE 1/2-14 CONDUIT HOLE)

VITON SEALS: LSYAC2, LSYHC2, LSYNC2, LSPYCI, LSYRCI, LSYAC4, LSYHC4, LSYNC4, LSPYCI, LSYRCI, LSYMC2, LSYMC4, LSYMC6, LSYMC7, LSYLC2, LSYLC4, LSYLC6, LSYLC7



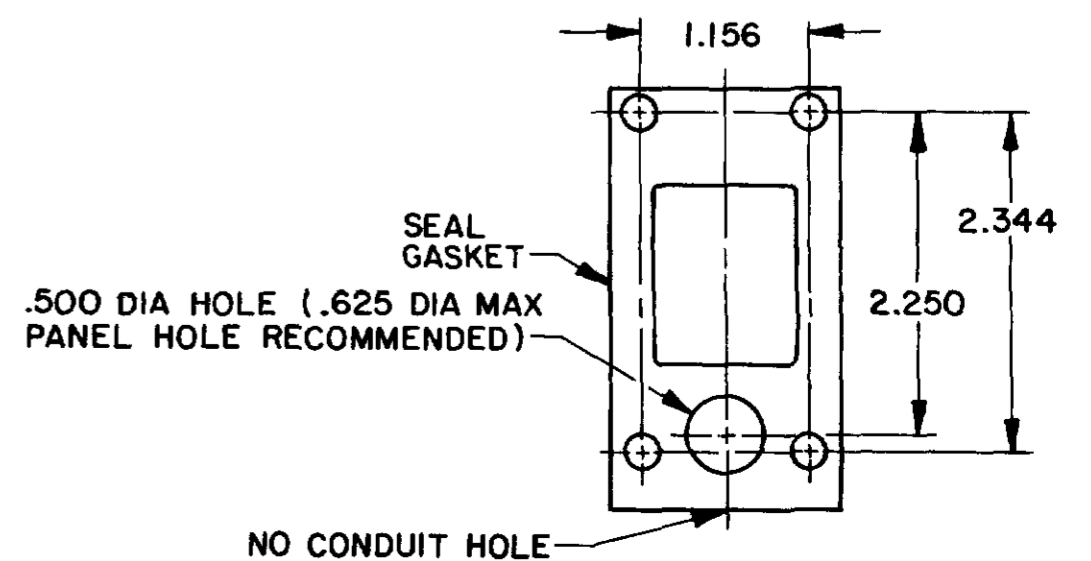
120 LAMP VOLTAGE -
 TYPE LSYAB5, LSYHB5, LSYNB5, LSPYB5, LSYRB5, LSYAC5, LSYHC5, LSYNC5, LSPYCI, LSYRCI

240 LAMP VOLTAGE -
 TYPE LSYAB8, LSYHB8, LSYNB8, LSPYB8, LSYRB8, LSYAC8, LSYHC8, LSYNC8, LSPYCI, LSYRCI



NOTE
 1 - ALL UNITS AVAILABLE WITH FLUOROSILICONE AND VITON SEALS

MANIFOLD MOUNT (PLUG-IN ONLY)
 SINGLE POLE AND DOUBLE POLE
 TYPE LSYA THROUGH LSYW SERIES



MICRO SWITCH
 THIS DRAWING COVERS A PROPRIETARY ITEM AND IS THE PROPERTY OF MICRO SWITCH, A DIVISION OF FREEPORT ELECTRONICS U.S.A. A DIVISION OF HONEYWELL. IT IS NOT TO BE COPIED OR USED WITHOUT THE APPROVAL OF MICRO SWITCH.

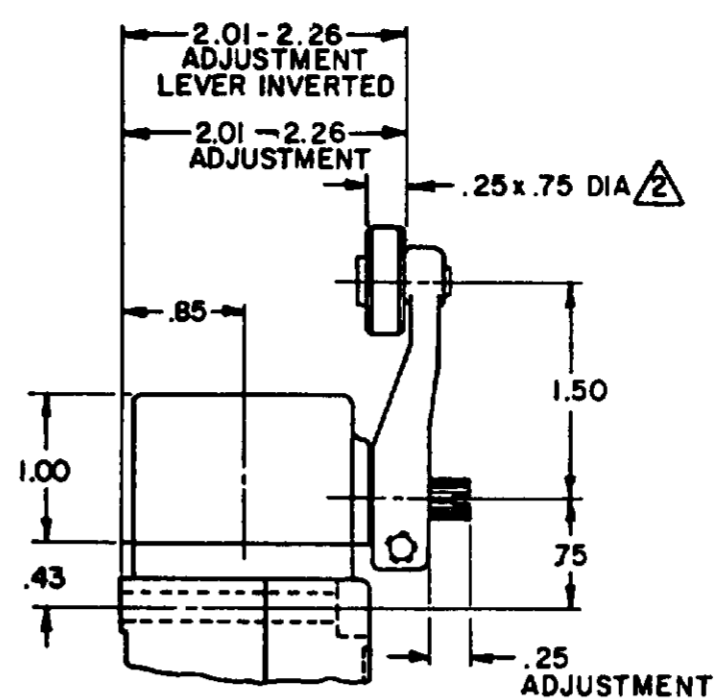
SWITCH-ENCLOSED

LSY SERIES
 CATALOG LISTING
 CHART 1

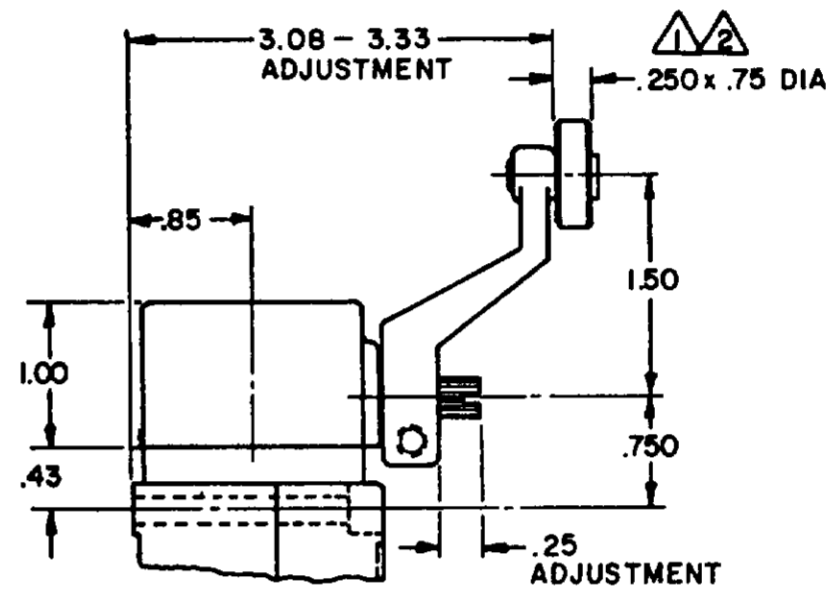
DESIGN UNIT: 1000
 NO. OF PLACES: 1
 NO. OF SWITCHES: 1
 NO. OF CONTACTS: 1
 NO. OF TERMINALS: 2
 NO. OF LEADS: 2
 NO. OF WIRE GAUGES: 22
 NO. OF WIRE TYPES: 22
 NO. OF WIRE COLORS: 22
 NO. OF WIRE LENGTHS: 22
 NO. OF WIRE WEIGHTS: 22
 NO. OF WIRE DIAMETERS: 22
 NO. OF WIRE CROSS SECTIONS: 22
 NO. OF WIRE MATERIALS: 22
 NO. OF WIRE TYPES: 22
 NO. OF WIRE LENGTHS: 22
 NO. OF WIRE WEIGHTS: 22
 NO. OF WIRE DIAMETERS: 22
 NO. OF WIRE CROSS SECTIONS: 22
 NO. OF WIRE MATERIALS: 22

SCALE: NONE
 TOLERANCES: NONE
 THIRD ANGLE PROJECTION
 DO NOT SCALE PRINT

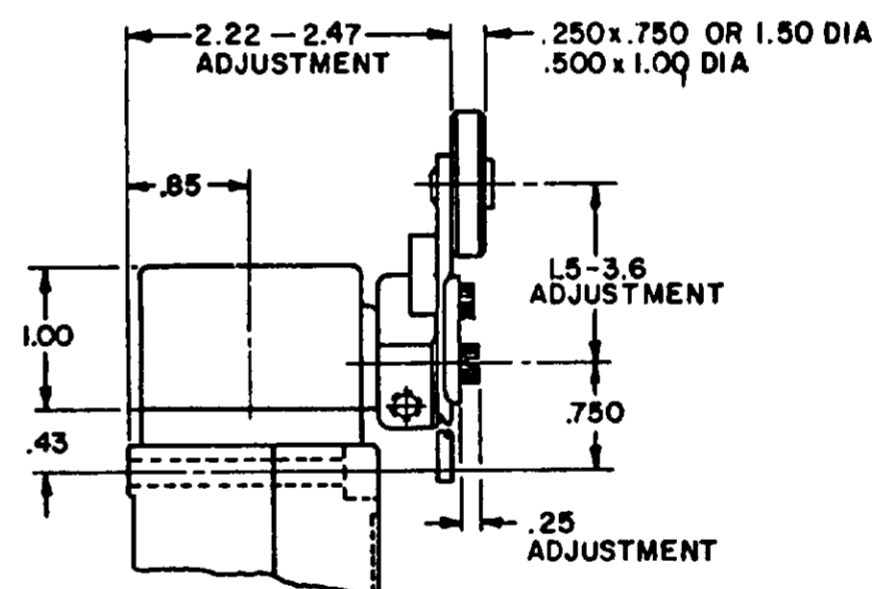
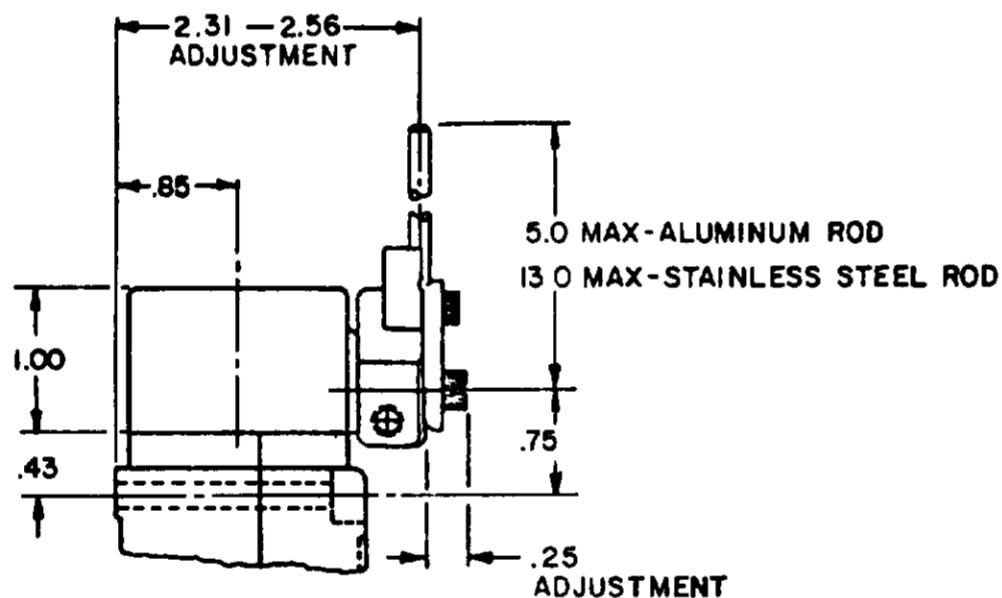
SIDE ROTARY CAM TRACKING



LSZ51 TYPE LEVERS

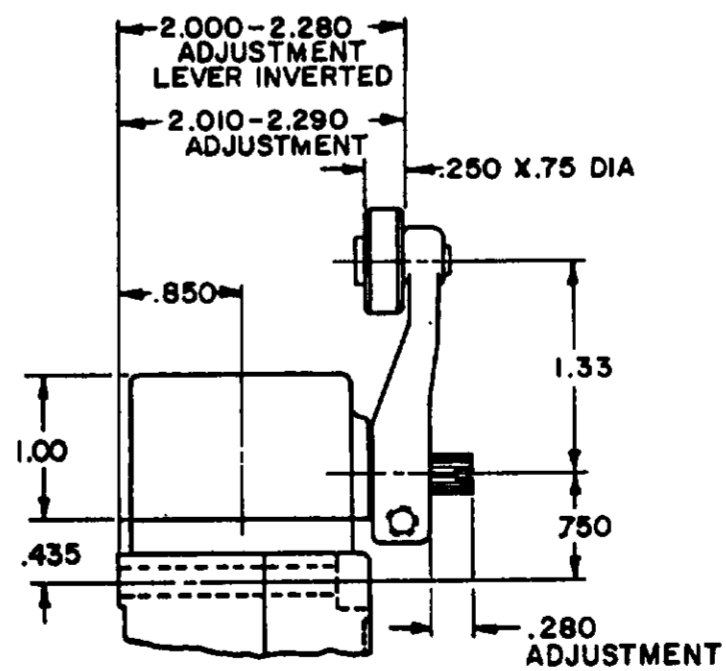
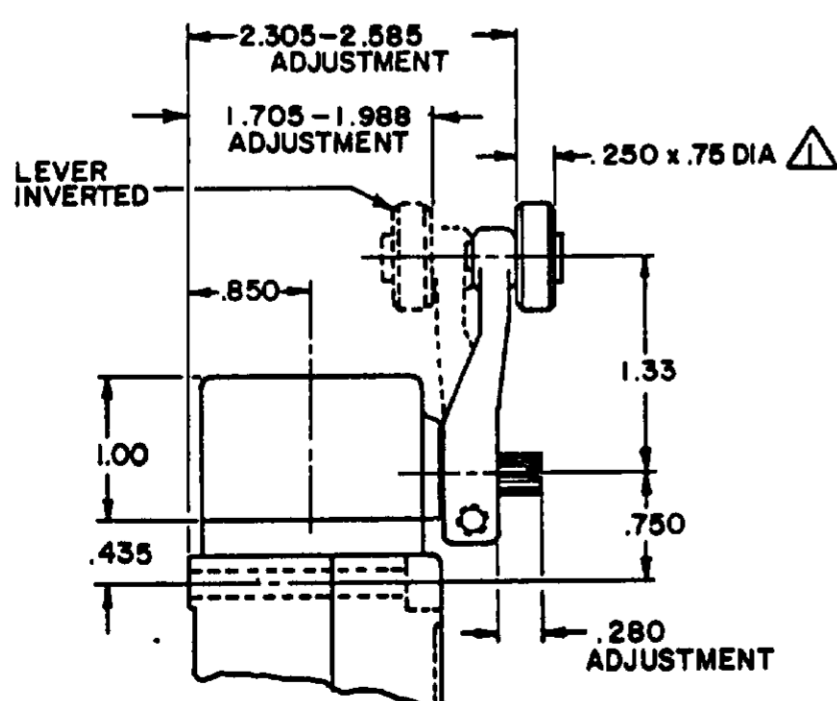


LSZ55 TYPE LEVERS



LSZ54 TYPE LEVER

LSZ52 TYPE LEVER



LSZ59 TYPE LEVERS

NOTES

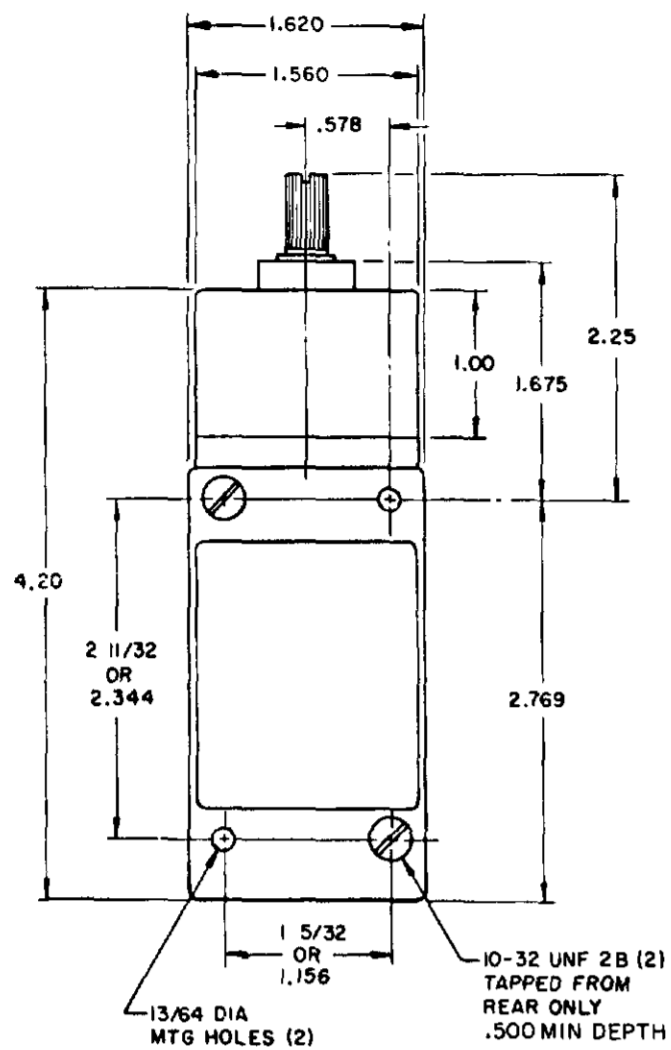
- ▲ ALSO AVAILABLE IN .250 X 1.500 DIA NYLON, BUT LEVER CANNOT BE INVERTED
- ▲ FOR ADDITIONAL ROLLER WIDTHS AND/OR DIAMETERS REFER TO (M)
- 3 - FOR ADDITIONAL TYPES OF ROLLERS AND LEVERS REFER TO LSZ CHART 1 (M)

MICRO SWITCH
 a Honeywell Division
 THIS DRAWING COVERS A PROPRIETARY ITEM AND IS THE PROPERTY OF MICRO SWITCH A DIVISION OF HONEYWELL. THIS DRAWING IS NOT TO BE COPIED OR USED WITHOUT THE APPROVAL OF MICRO SWITCH.

| | |
|---|------------------------|
| WEIGHT | THIRD ANGLE PROJECTION |
| SCALE NONE | DO NOT SCALE PRINT |
| UNLESS OTHERWISE SPECIFIED TOLERANCES ARE | |
| ONE PLACE (.0) | ± .030 |
| TWO PLACE (.00) | ± .015 |
| THREE PLACE (.000) | ± .005 |
| ANGLES | ± |

TOP ROTARY

SINGLE POLE

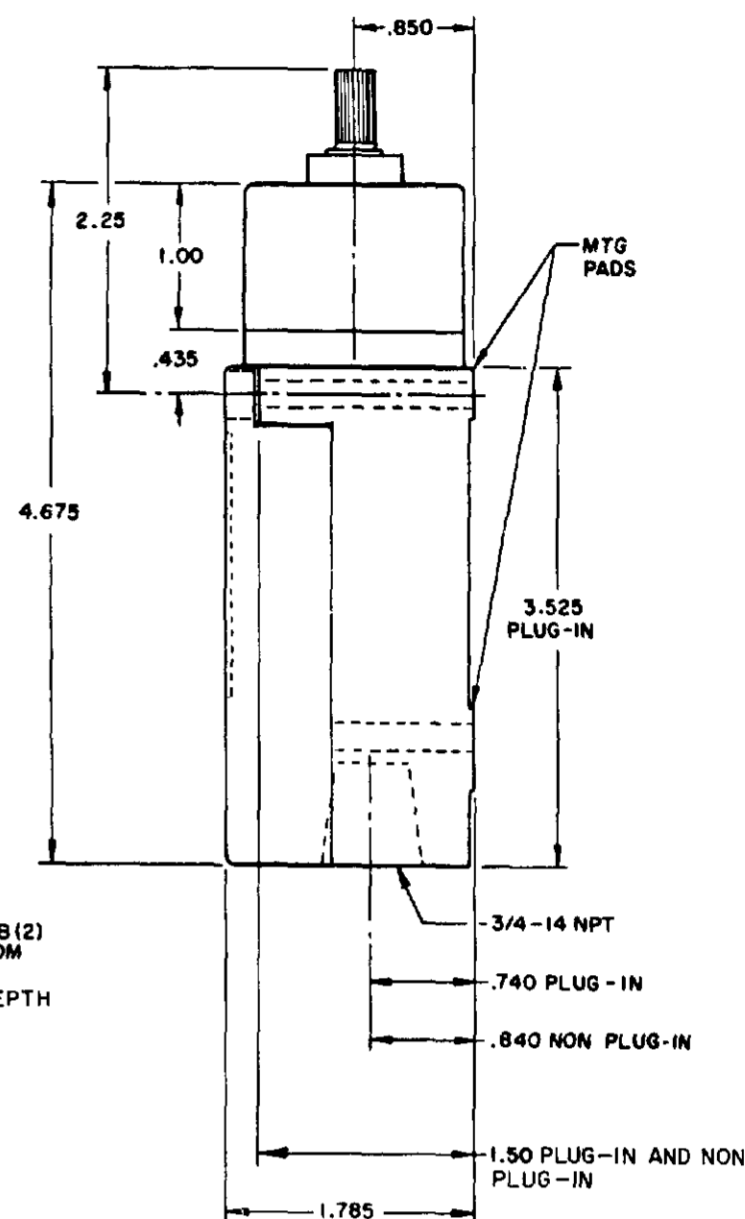


FLOUROSILICONE SEALS
LSYBBI & LSYBB3

VITON SEALS
LSYBCI & LSYBC3



DOUBLE POLE



FLOUROSILICONE SEALS
LSYBB2 & LSYBB4

LSYBB6 & LSYBB7 HAVE 1/2-14NPT
CONDUIT HOLE

VITON SEALS
LSYBC2 & LSYBC4, LSYBC6 & LSYBC7
HAVE 1/2-14NPT CONDUIT HOLE

| | SINGLE POLE | DOUBLE POLE |
|-------------------------|-------------|-------------|
| PRETRAVEL MAX | 25° | 25° |
| OVERTRAVEL MIN | 110° | 110° |
| DIFFERENTIAL TRAVEL MAX | 10° | 12° |
| OPERATING TORQUE MAX | 2.5 IN. LBS | 2.5 IN. LBS |
| TOTAL TRAVEL (REF) | 135° | 135° |

ELECTRICAL RATINGS

10 AMP CONT.

| A.C. VOLTAGE | AMPS AT .35 POWER FACTOR | | | |
|--------------|--------------------------|-------|-------------|-------|
| | SINGL. POL. | | DOUBL. POL. | |
| | MAKE | BREAK | MAKE | BREAK |
| 120 | 60 | 6 | 10 | 3 |
| 240 | 30 | 3 | 15 | 1.5 |
| 480 | 15 | 1.5 | 7.5 | .75 |
| 600 | 12 | 1.2 | 6 | .6 |

| D.C. VOLTAGE | MAKE & BREAK INDUCTIVE | RESISTIVE |
|--------------|------------------------|-----------|
| 120 | 0.25 | 0.80 |
| 240 | 0.15 | 0.40 |

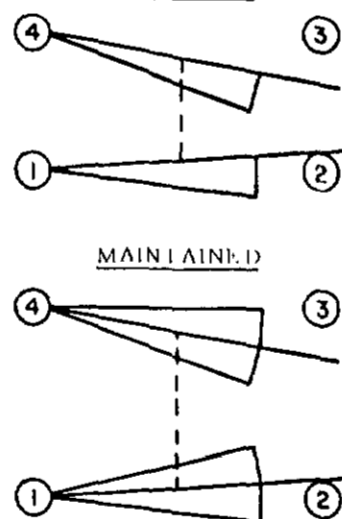
ELECTRONIC DUTY BASIC SWITCH
10 AMP CONT.

| VOLTAGE | MAKE AND BREAK AMPS |
|----------------|---------------------|
| 5 AC OR DC MIN | .01 AMP MIN |
| 600 AC | 720 VA |
| 240 DC | 30 WATT |

WIRING BASIC SWITCH (SAME POLARITY MUST BE OBSERVED FOR EACH POLE)

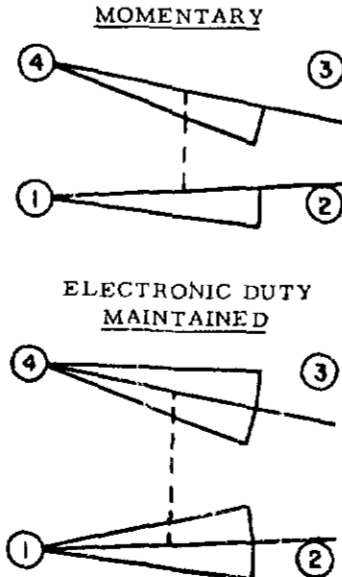
SINGLE POLE

MOMENTARY

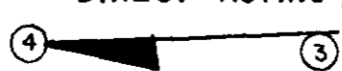


SINGLE POLE

ELECTRONIC DUTY MOMENTARY

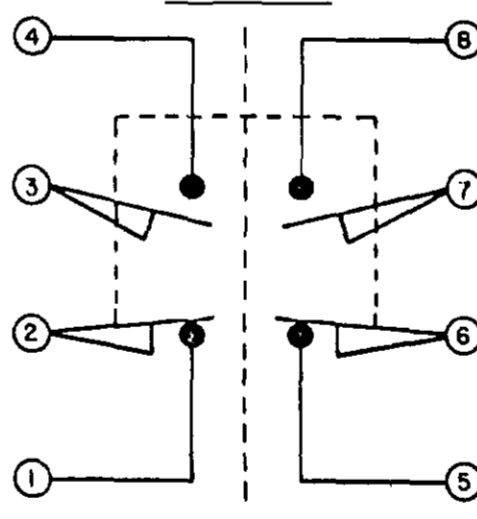


DIRECT ACTING

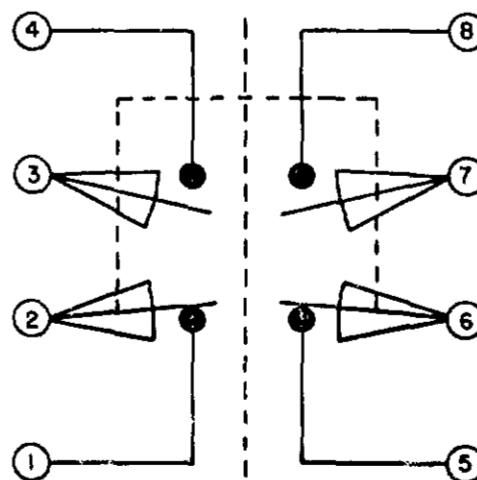


DOUBLE POLE

MOMENTARY



MAINTAINED



DIRECT ACTING (ALSO RATED AT A.C. 10 AMP CONT.)

| D.C. VOLTAGE | MAKE AND BREAK AMPS | |
|--------------|---------------------|-----------|
| | INDUCTIVE | RESISTIVE |
| 30 | 4.2 | 4.2 |
| 120 | 1.1 | 1.1 |
| 240 | .55 | .55 |

NOTES:
1 - ALL UNITS AVAILABLE WITH
FLOUROSILICONE AND VITON SEALS

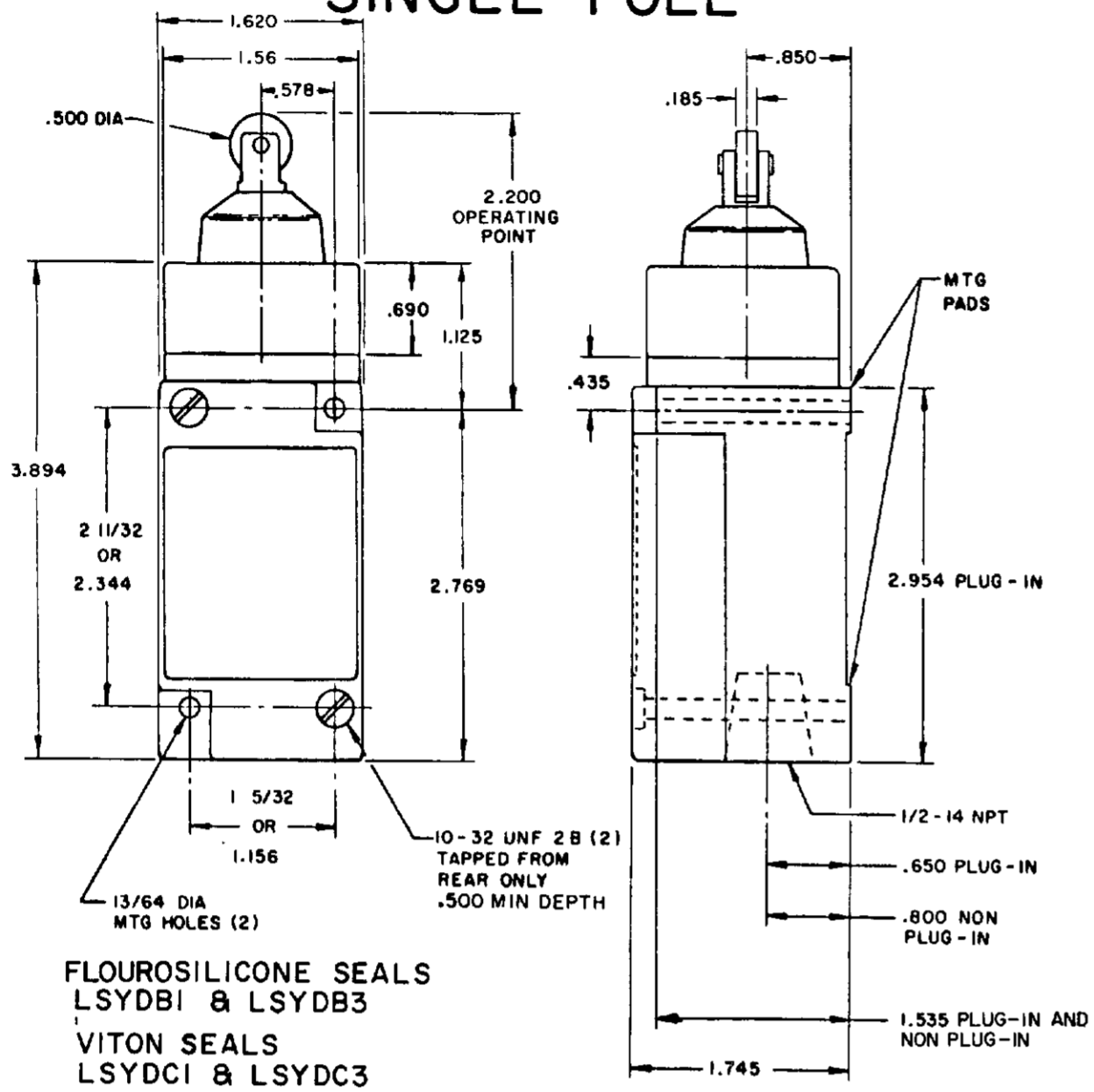
2 DIFFERENTIAL TRAVEL ON ALL
OPERATING CHARACTERISTICS NOT
APPLICABLE

MICRO SWITCH
 FREEMONT, ILL. U.S.A.
 A DIVISION OF HONEYWELL
 FID. REG. CODE 9193
 SWITCH - ENCLOSED
 CHART 1
 LSY SERIES
 CATALOG LISTING

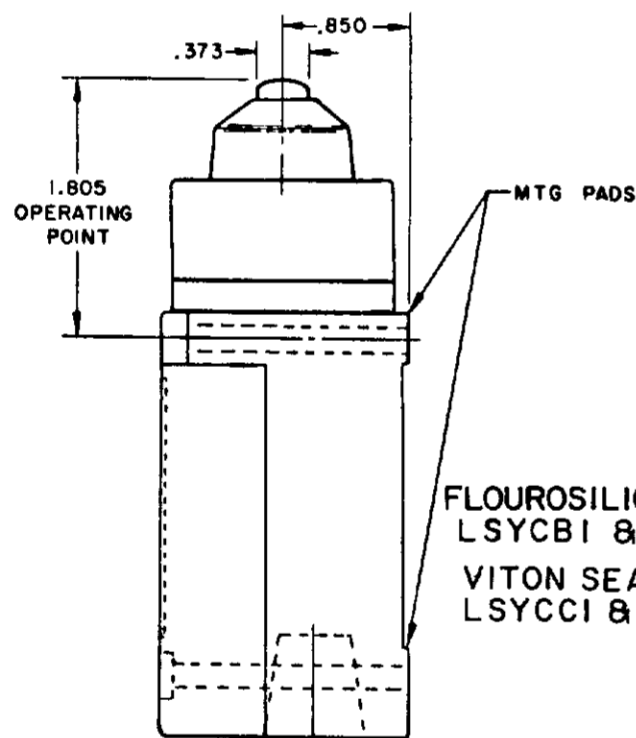
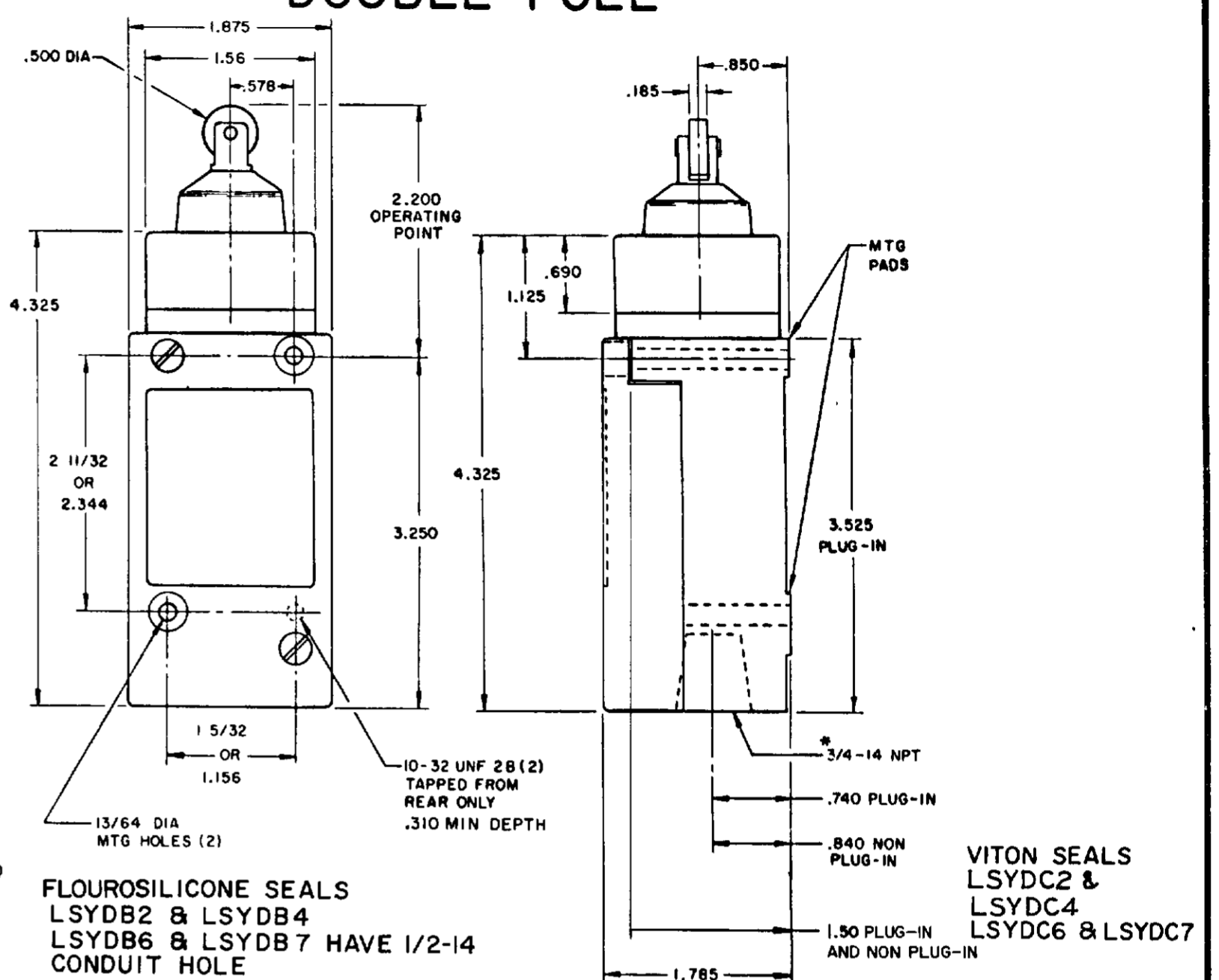
SCALE NONE
 DO NOT SCALE PRINT

PLUNGER TYPE TOP

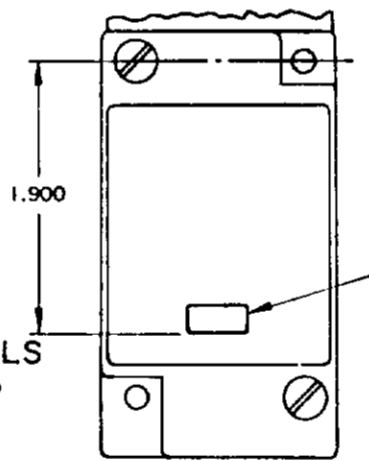
SINGLE POLE



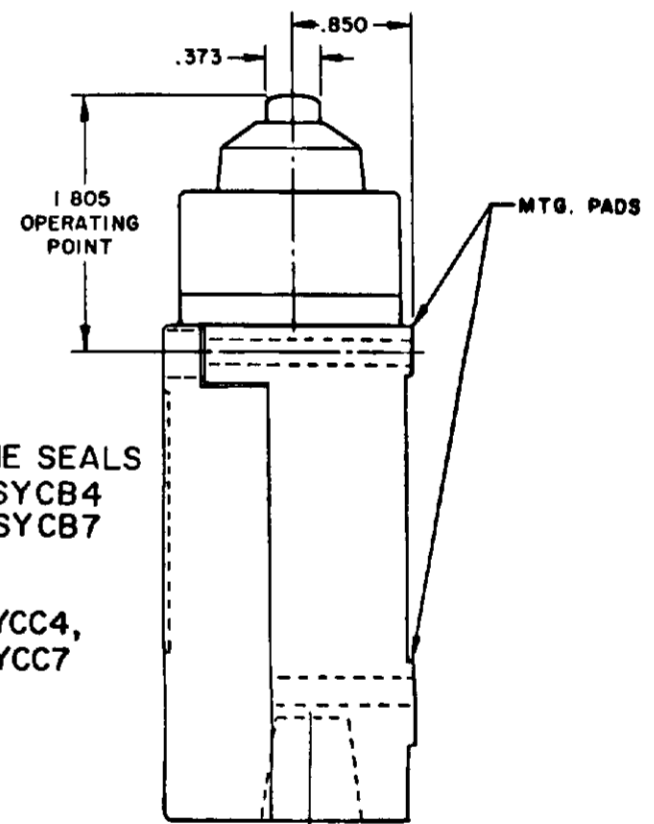
DOUBLE POLE



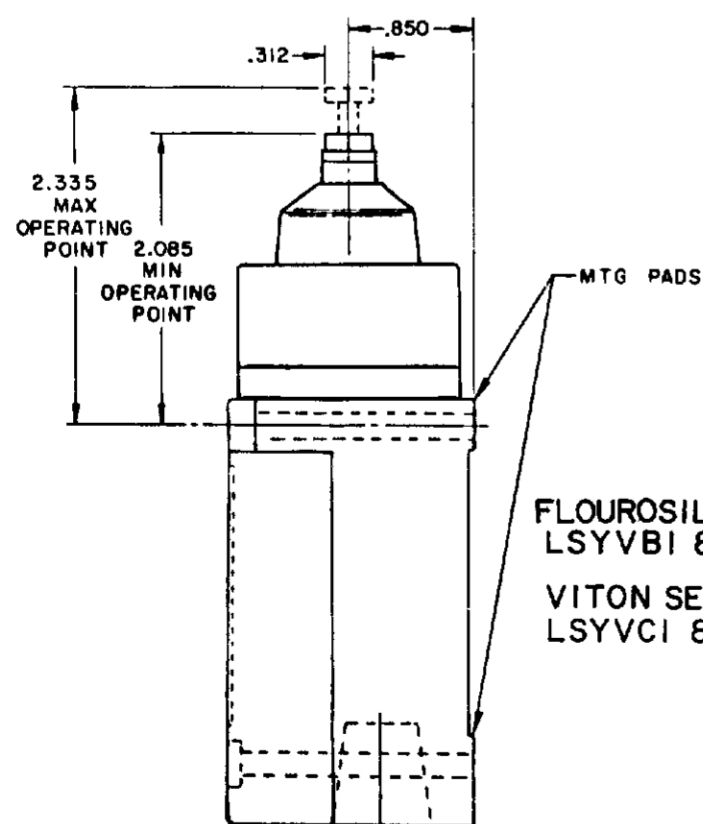
SINGLE POLE PLUG-IN ONLY
WITH INDICATOR LAMP



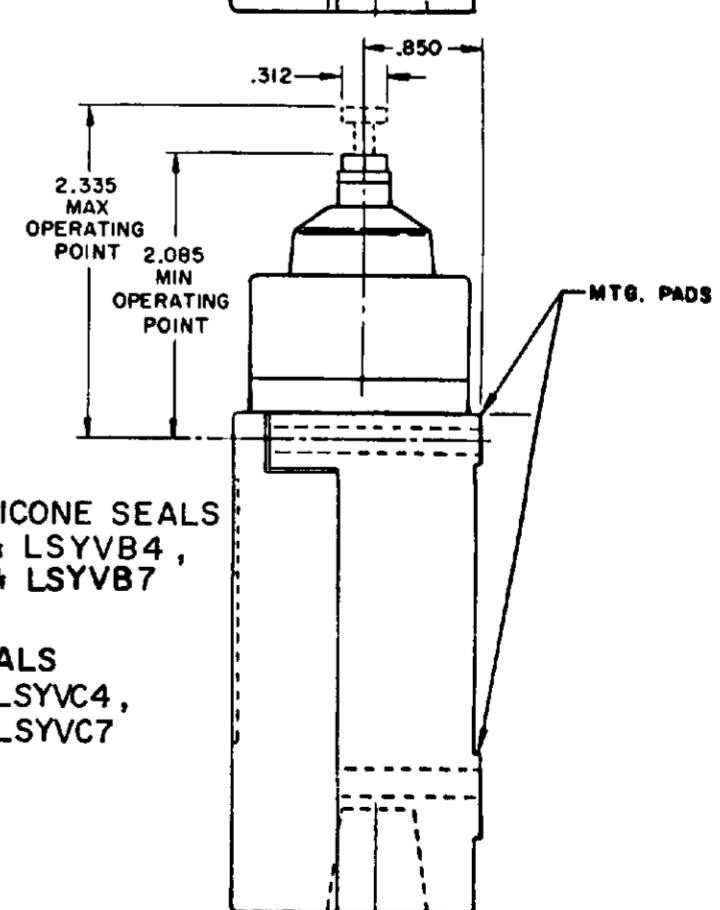
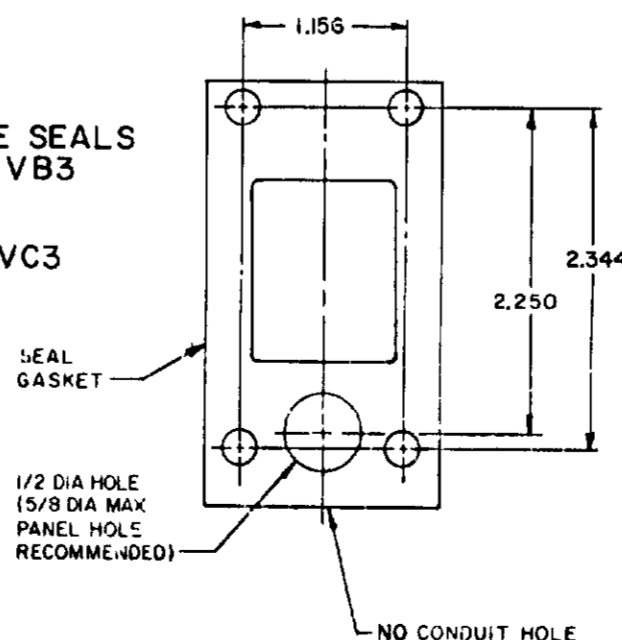
120 LAMP VOLTAGE -
LSYCB 5, LSYDB5, LSYVB5
LSYCC 5, LSYDC5, LSYVC5
240 LAMP VOLTAGE -
LSYCB8, LSYDB8, LSYVB8
LSYCC8, LSYDC8, LSYVC8



MANIFOLD MOUNT (PLUG-IN ONLY)
SINGLE POLE AND DOUBLE POLE
TYPE LSYA THROUGH LSYW SERIES



FLUOROSILICONE SEALS
LSYVB2 & LSYVB4,
LSYVB6 & LSYVB7
VITON SEALS
LSYVC2 & LSYVC4,
LSYVC6 & LSYVC7



NOTES:
1 - ALL UNITS AVAILABLE WITH
FLUOROSILICONE AND VITON SEALS

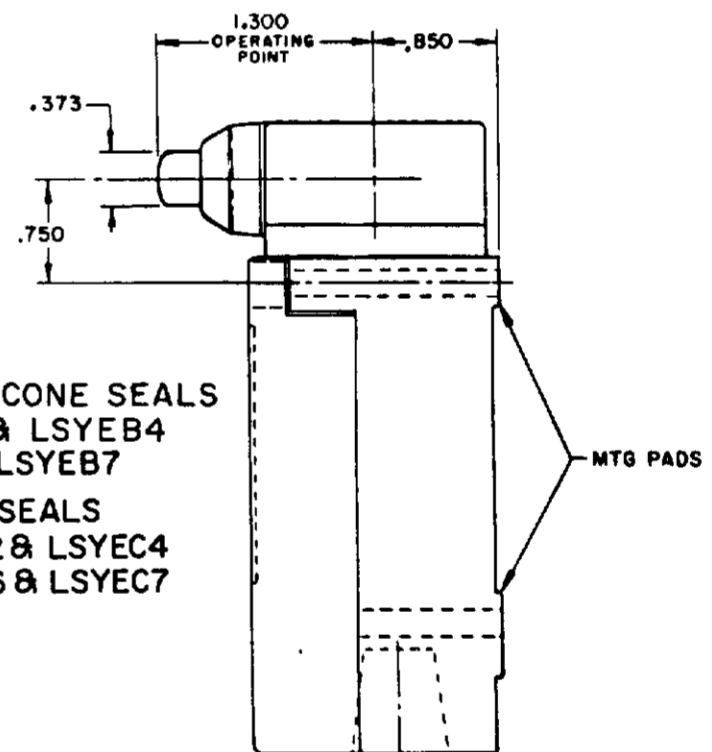
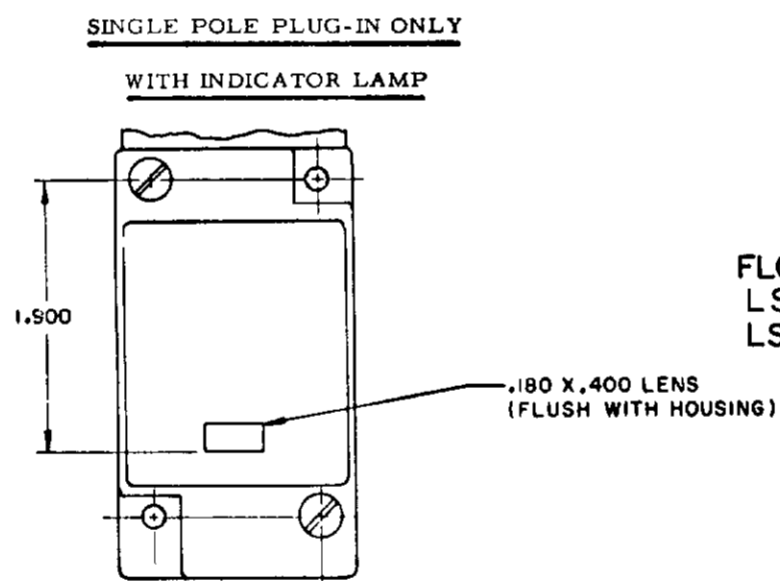
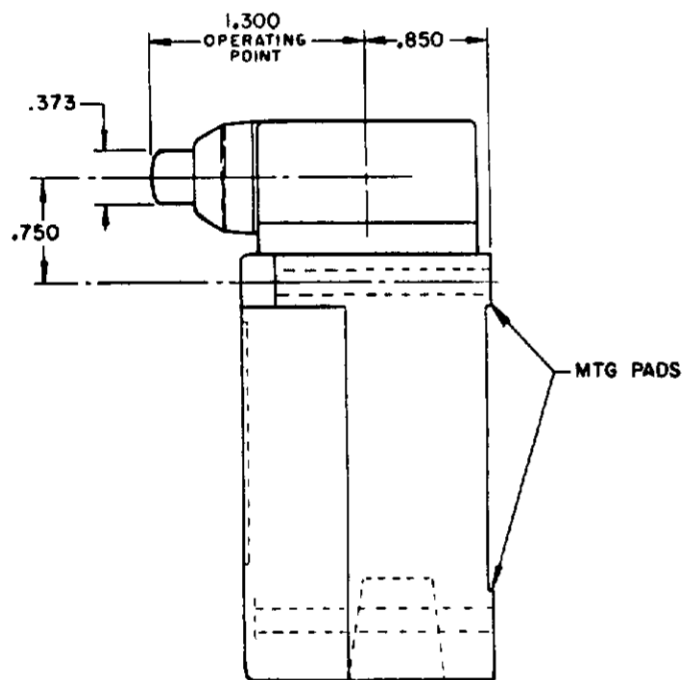
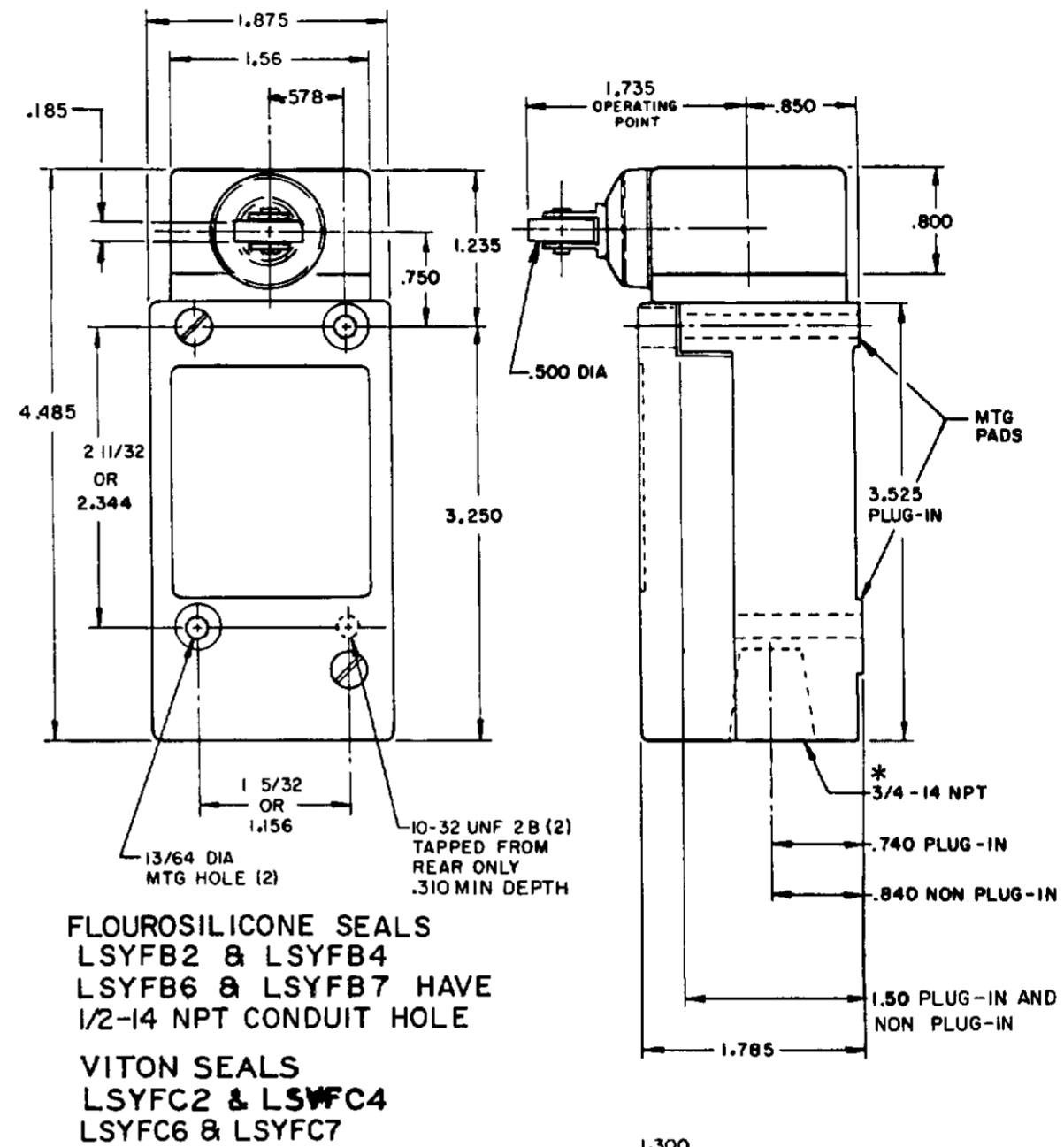
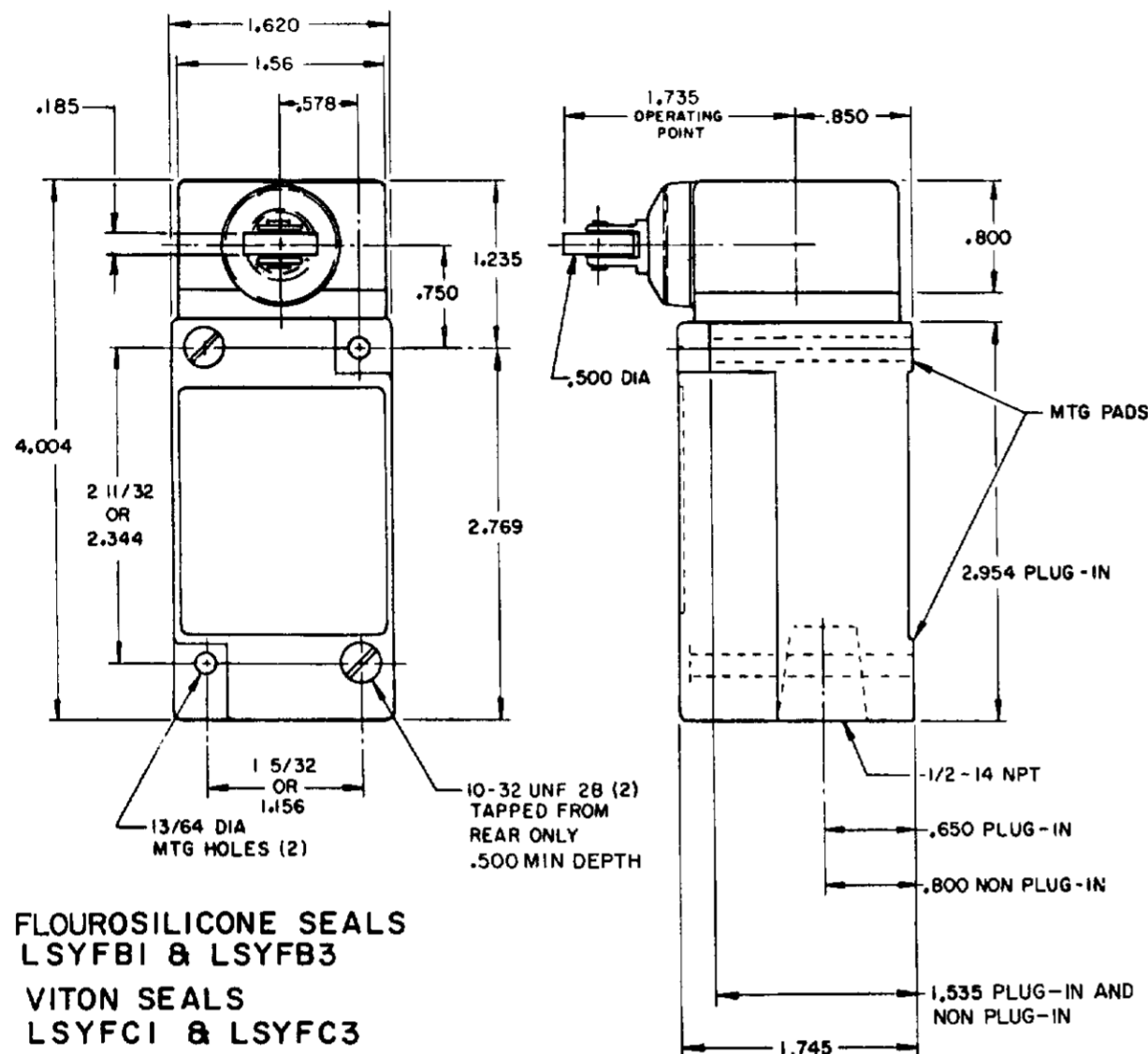
MICRO SWITCH
SWITCH - ENCLOSED
LSY SERIES
CHART 1

SCALE NONE
DO NOT SCALE PRINT

SIDE PLUNGER TYPE

SINGLE POLE

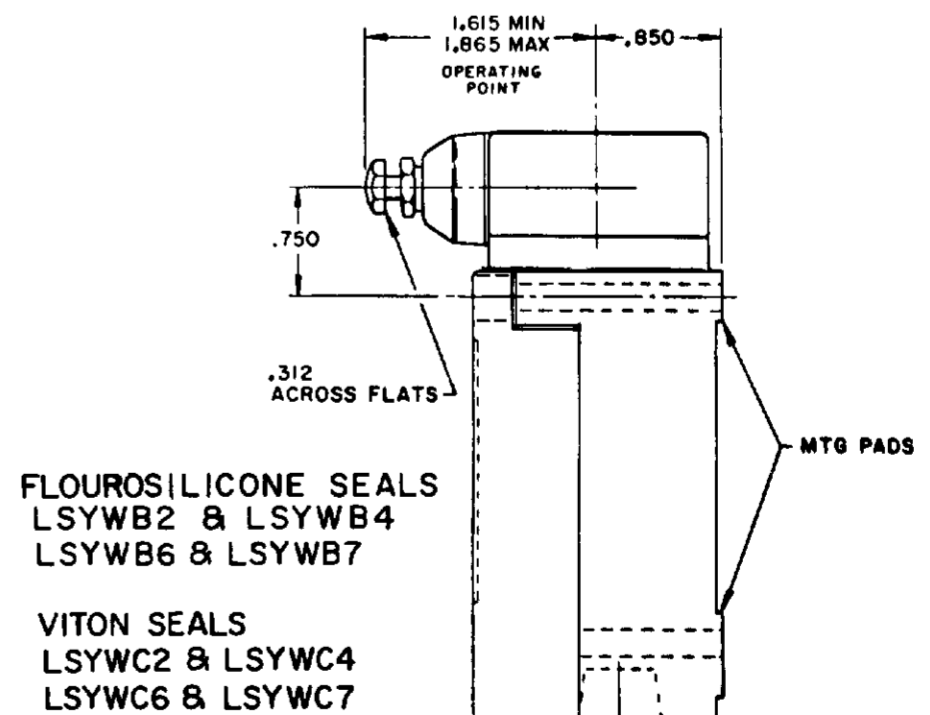
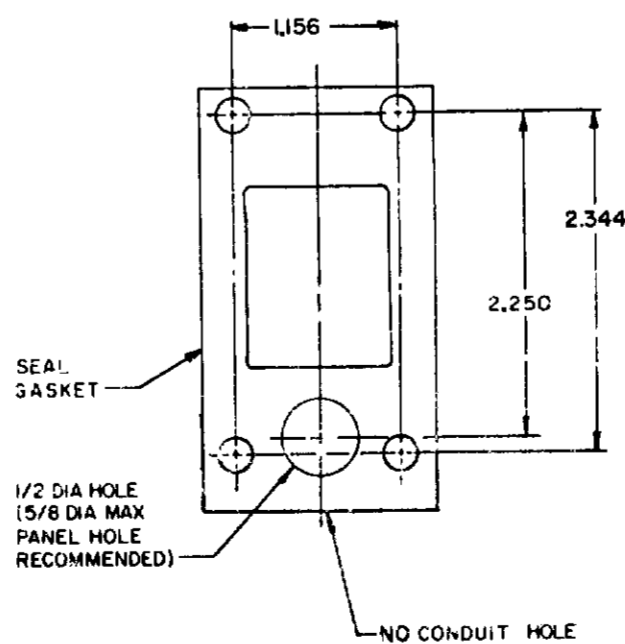
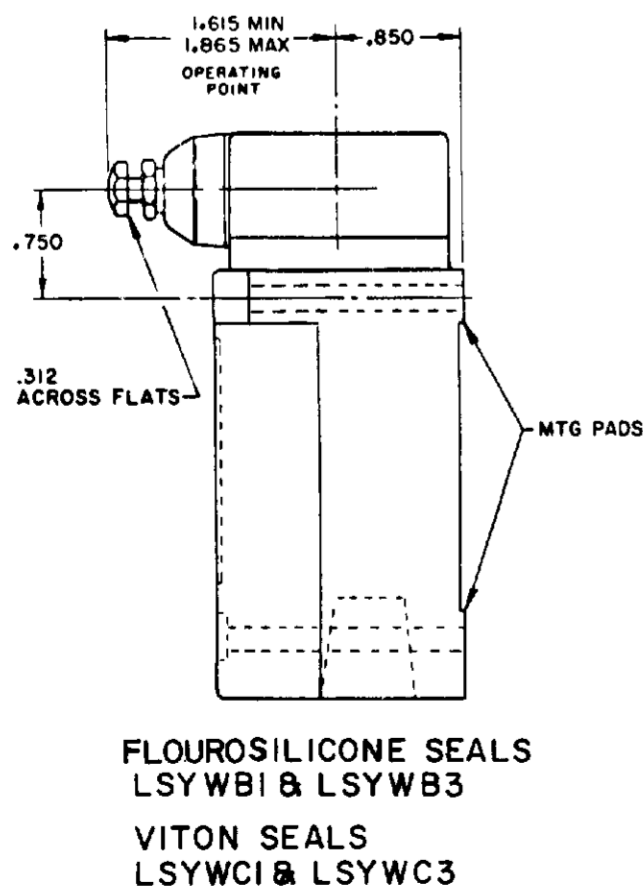
DOUBLE POLE



120 LAMP VOLTAGE -
 LSYFB5, LSYEB5, LSYWB5
 LSYFC5, LSYEC5, LSYWC5

240 LAMP VOLTAGE -
 LSYFB8, LSYEB8, LSYWB8
 LSYFC8, LSYEC8, LSYWC8

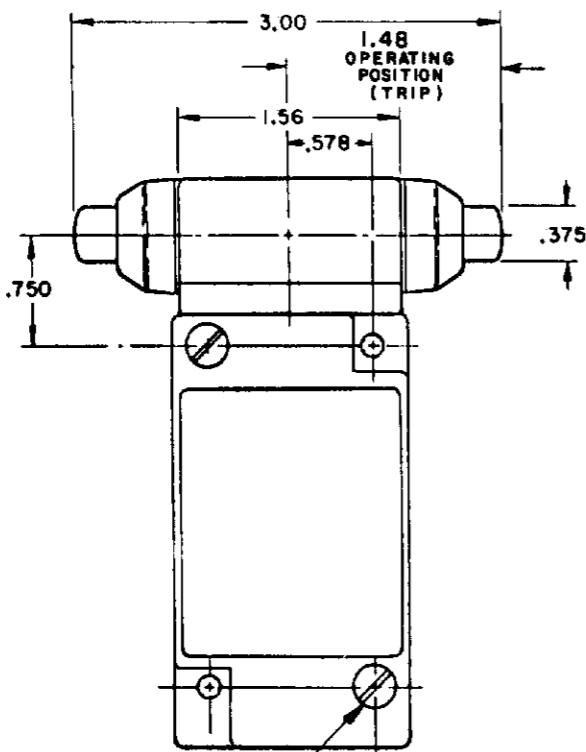
MANIFOLD MOUNT (PLUG-IN ONLY)
 SINGLE POLE AND DOUBLE POLE
 TYPE LSYA THROUGH LSYW SERIES



NOTES:
 1 - ALL UNITS AVAILABLE WITH
 FLOUROSILICONE AND VITON SEALS

MICRO SWITCH
 THIS DRAWING COVERS A PROPRIETARY ITEM AND IS THE PROPERTY OF HONEYWELL. THIS DRAWING IS NOT TO BE COPIED OR USED WITHOUT THE APPROVAL OF HONEYWELL.
 FREEMONT ILLINOIS U.S.A.
 A DIVISION OF HONEYWELL
 FED. REG. CO. 9-838
SWITCH - ENCLOSED
 LSY SERIES
 CATALOG LISTING
CHART 1

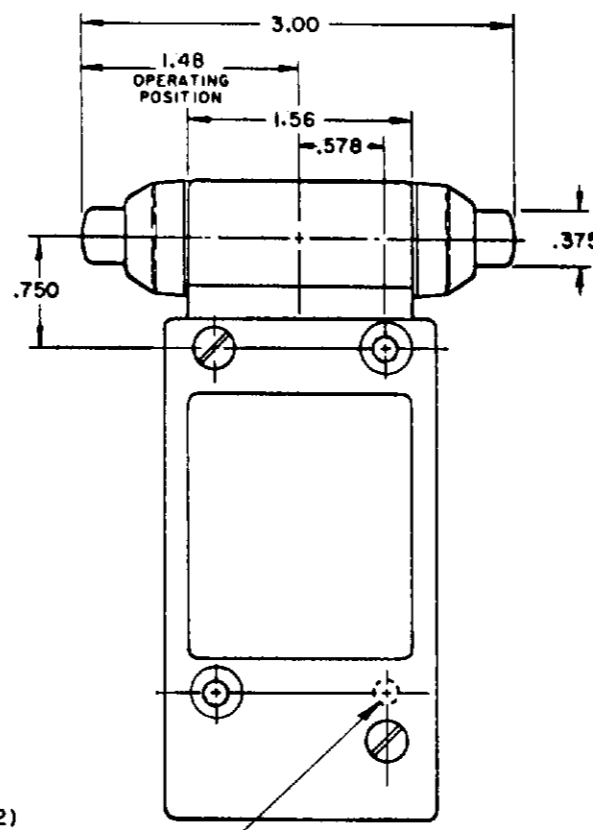
SCALE NONE
 DO NOT SCALE PRINT



10-32 UNF 28(2)
TAPPED FROM REAR ONLY
.500 MIN DEPTH

FLOUROSILICONE SEALS
LSYGB1 & LSYGB3

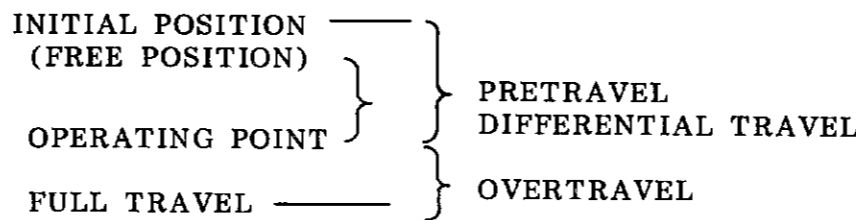
VITON SEALS
LSYGC1 & LSYGC3



10-32 UNF 28(2)
TAPPED FROM REAR ONLY
.310 MIN DEPTH

FLOUROSILICONE SEALS
LSYGB2 & LSYGB4, LSYGB6 & LSYGB7 HAVE 1/2 CONDUIT HOLE)

VITON SEALS
LSYGC2 & LSYGC4 (LSYGC6 &
LSYGC7 HAVE 1/2 CONDUIT HOLE)



OPERATING POINT GIVEN IN RELATION TO TOP MOUNTING HOLE **TOP PLUNGER TYPES**

| CHARACTERISTICS | LSYC PLUNGER | | LSYD ROLLER PLUNGER | | LSYV ADJ PLUNGER | | SEQUENCE BASIC | | |
|-----------------------------|--------------|-------------|---------------------|-------------|---------------------|-------------|---|------|------|
| | SINGLE POLE | DOUBLE POLE | SINGLE POLE | DOUBLE POLE | SINGLE POLE | DOUBLE POLE | LSYC | LSYD | LSYV |
| PRETRAVEL (MAX) | .070 | | .070 | | .070 | | 1ST STEP .070 | | |
| DIFFERENTIAL TRAVEL (MAX) | .015 | .020 | .015 | .020 | .015 | .020 | 2ND STEP .016 MIN ADD'L | | |
| OVERTRAVEL (MIN) | .190 | | .190 | | .190 | | .170 | | |
| OPERATING FORCE (MAX) | 4 LBS | | 4 LBS | | 4 LBS | | 4 LBS | | |
| OPERATING POINT | 1.805 ± .030 | | 2.200 ± .040 | | 2.085 MIN 2.335 MAX | | 1ST STEP 1.815±.030 2.210±.040 2.095 MIN / 2.345 MAX | | |
| FULL OVERTRAVEL FORCE (MAX) | 7 LBS | | 7 LBS | | 7 LBS | | 7 LBS | | |

OPERATING POINT GIVEN IN RELATION TO CENTER OF HEAD **SIDE PLUNGER TYPES**

| CHARACTERISTICS | LSYE PLUNGER | LSYF ROLLER PLUNGER | LSYW ADJ PLUNGER | LSYG PLUNGER MAINTAINED | SEQUENCE BASIC | | |
|-----------------------------|--------------|---------------------|---------------------|-------------------------|---|------|------|
| | | | | | LSYE | LSYF | LSYW |
| PRETRAVEL (MAX) | .100 | .100 | .100 | .170 | 1ST STEP .100 | | |
| DIFFERENTIAL TRAVEL (MAX) | .045 | .045 | .045 | .090 | 2ND STEP .020 MIN ADD'L | | |
| OVERTRAVEL (MIN) | .190 | .190 | .190 | .080 | .170 | | |
| OPERATING FORCE (MAX) | 6 LBS | 6 LBS | 6 LBS | 10 LBS | 6 LBS | | |
| OPERATING POINT | 1.300 ± .030 | 1.735 ± .040 | 1.615 MIN 1.865 MAX | 1.480 ± .030 | 1ST STEP 1.310±.030 1.745±.040 1.625 MIN / 1.875 MAX | | |
| FULL OVERTRAVEL FORCE (MAX) | 6 LBS | 6 LBS | 6 LBS | 10 LBS | 6 LBS | | |

MICRO SWITCH
 THIS DRAWING COVERS A PROPRIETARY ITEM AND IS THE PROPERTY OF HONEYWELL. THIS DRAWING IS NOT TO BE COPIED OR USED WITHOUT THE APPROVAL OF HONEYWELL.
 HONEYWELL, HILLSDALE, ILLINOIS, U.S.A.
 A DIVISION OF HONEYWELL
 FED. REG. CODE 31829

SWITCH - ENCLOSED
LSY SERIES
 CATALOG LISTING
CHART 1

THIRD ANGLE PROJECTION
 SCALE NONE
 DO NOT SCALE PRINT
 TOLERANCES
 UNLESS OTHERWISE SPECIFIED
 DIMENSIONS ARE IN INCHES
 DECIMALS: .0005, .001, .002, .005, .010, .015, .020, .030, .040, .050, .060, .070, .080, .090, .100, .150, .200, .250, .300, .350, .400, .450, .500, .550, .600, .650, .700, .750, .800, .850, .900, .950, 1.000
 FRACTIONS: 1/32, 1/16, 1/8, 3/16, 1/4, 5/16, 3/8, 7/16, 1/2, 5/8, 3/4, 7/8, 1

WOBBLE STICK

SINGLE POLE

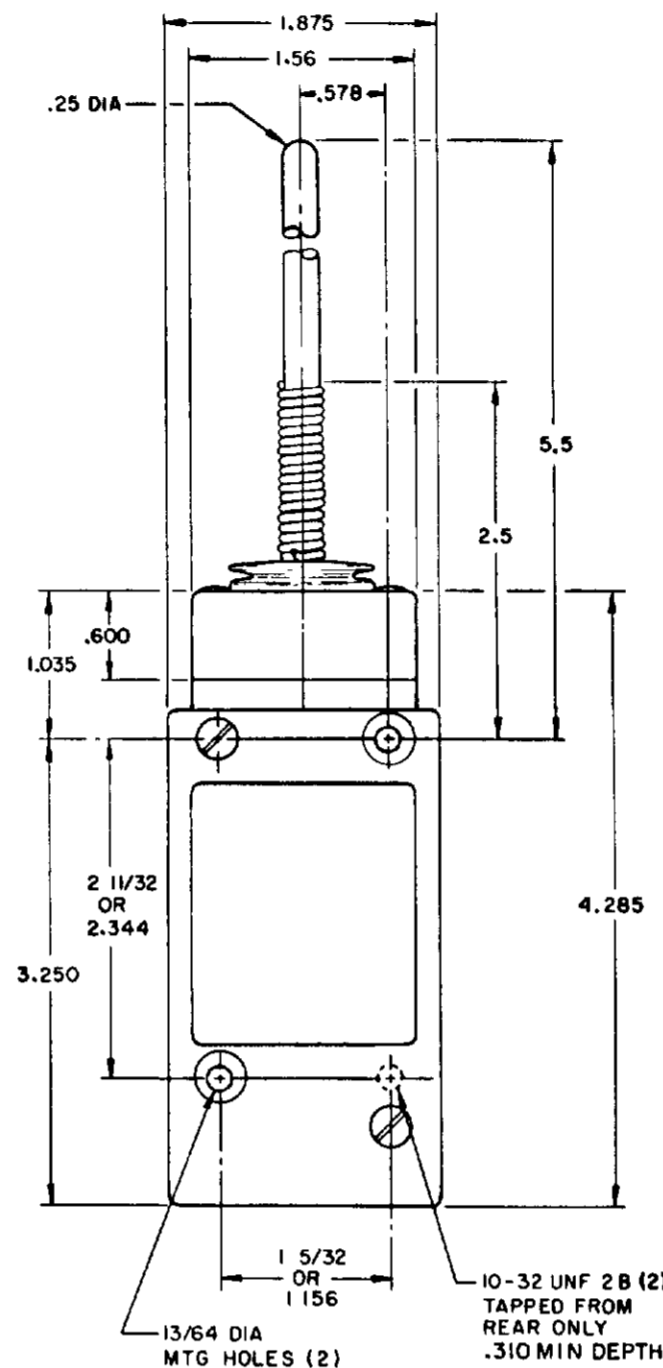
DOUBLE POLE



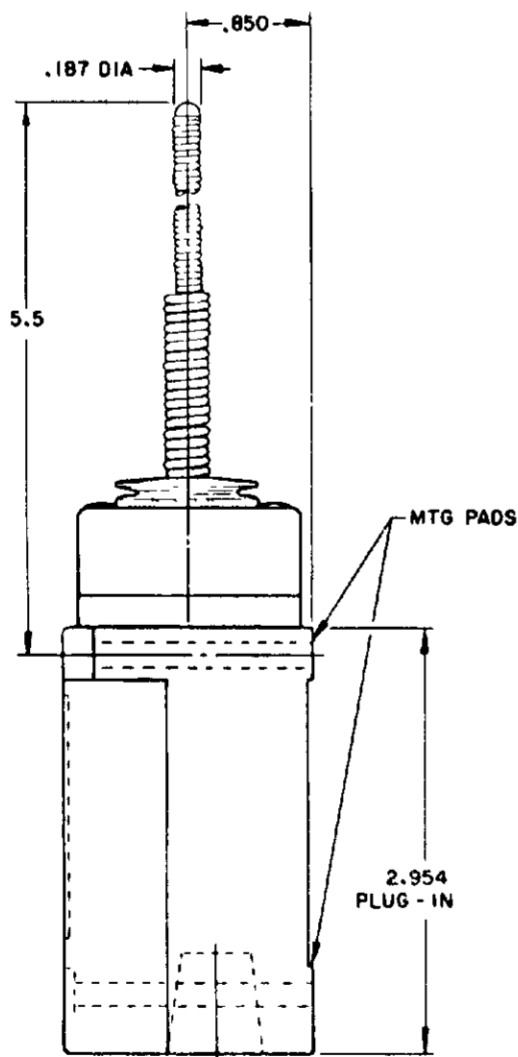
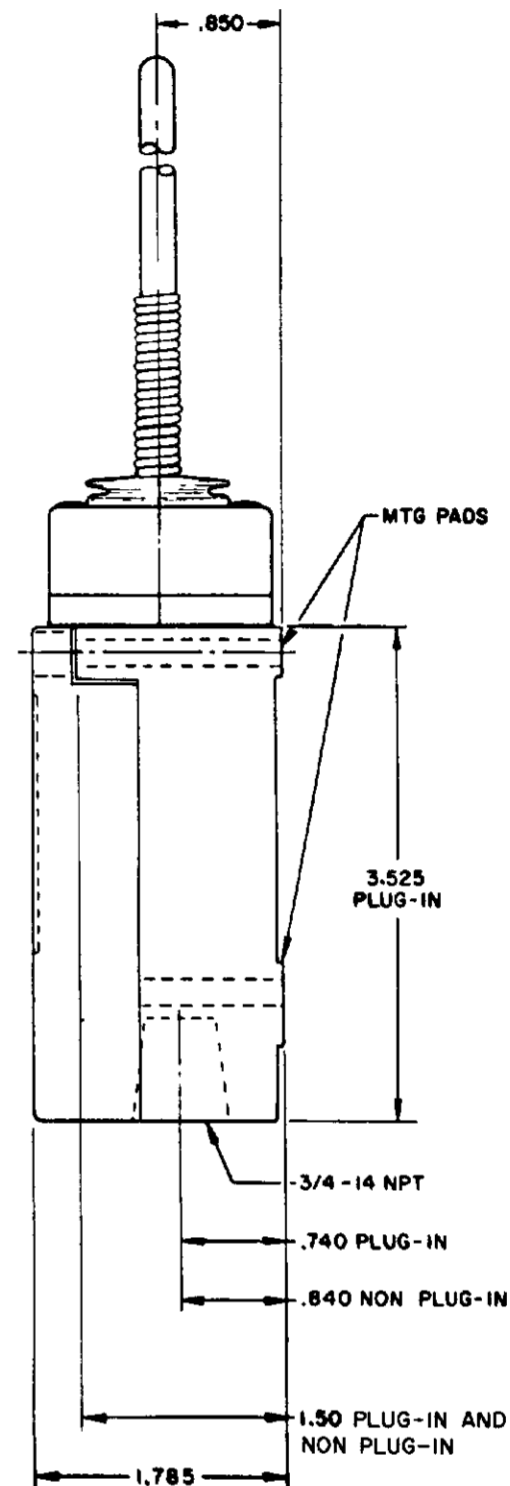
**PLASTIC EXTENSION
TYPE 7A ACTUATOR**



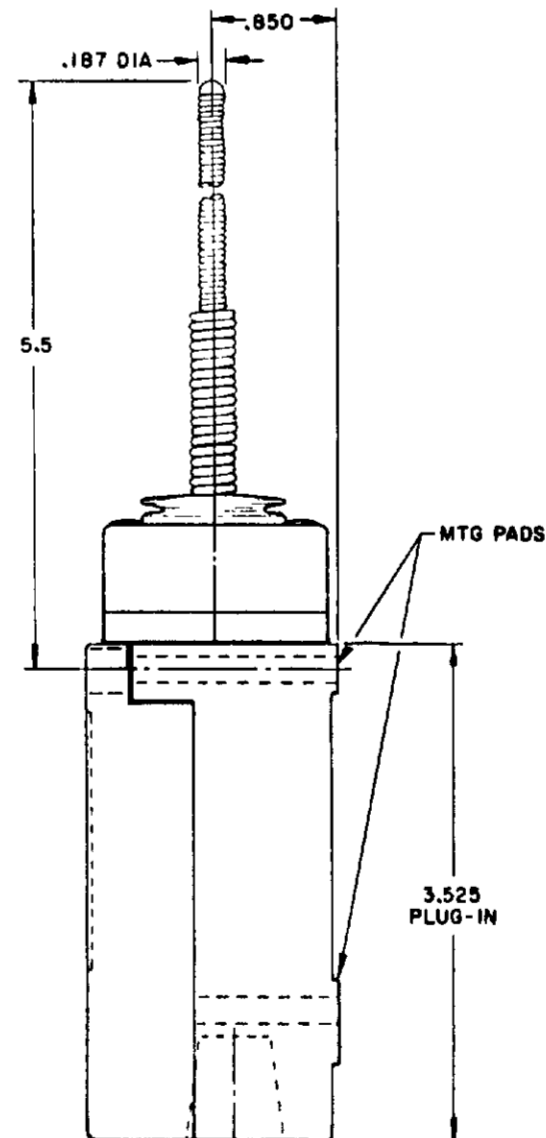
**REPLACEMENT ACTUATOR
LSZ 4009**



**PLASTIC EXTENSION
TYPE 7A ACTUATOR**

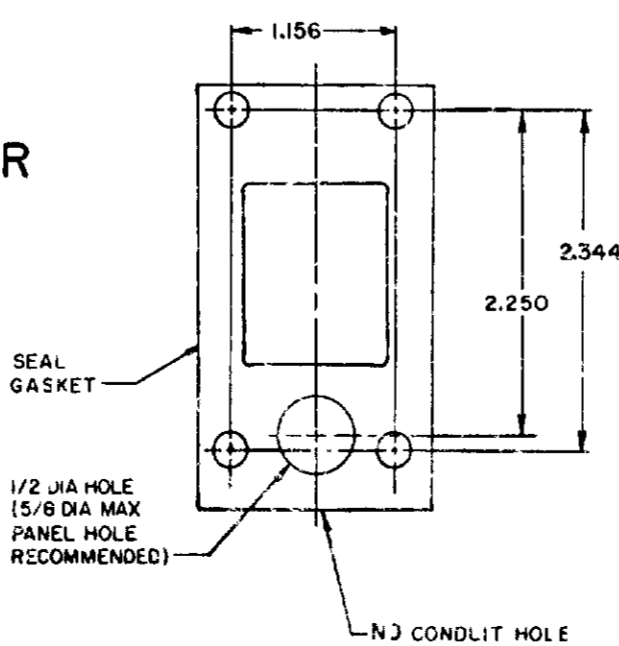


**CABLE EXTENSION
TYPE 7N ACTUATOR**



**CABLE EXTENSION
TYPE 7N ACTUATOR**

**REPLACEMENT ACTUATOR
LSZ 4011**



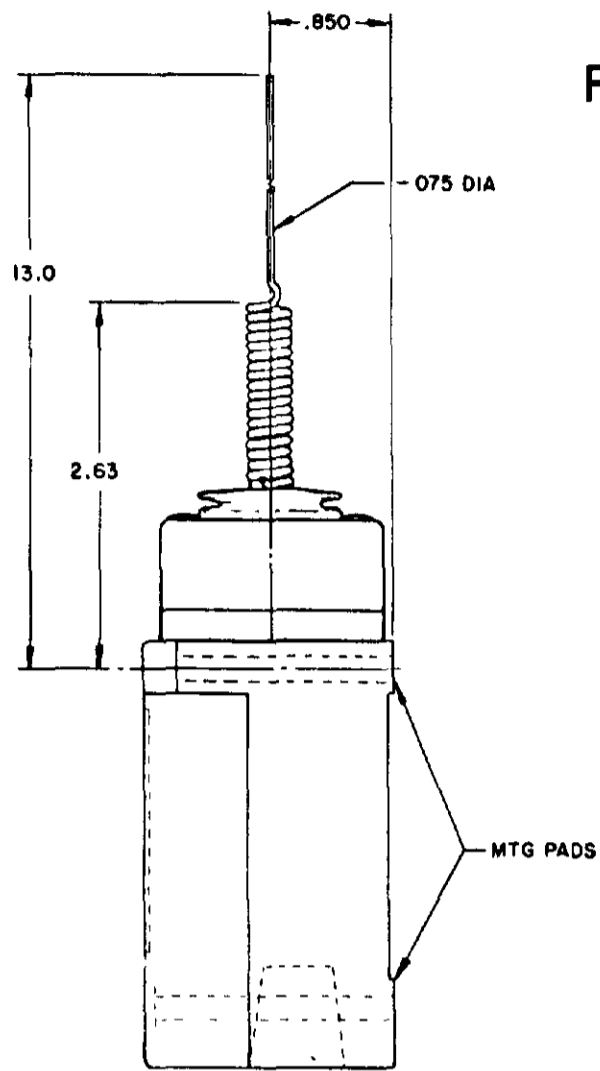
NOTES:
1 - ALL UNITS AVAILABLE WITH
FLUOROSILICONE AND VITON SEALS

MICRO SWITCH
A DIVISION OF HONEYWELL

SWITCH-ENCLOSED

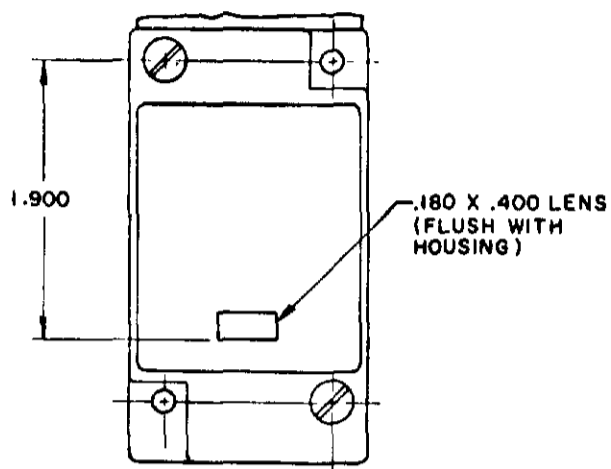
LSY SERIES
CATALOG LISTING
CHART 1

SCALE NONE
DO NOT SCALE PRINT

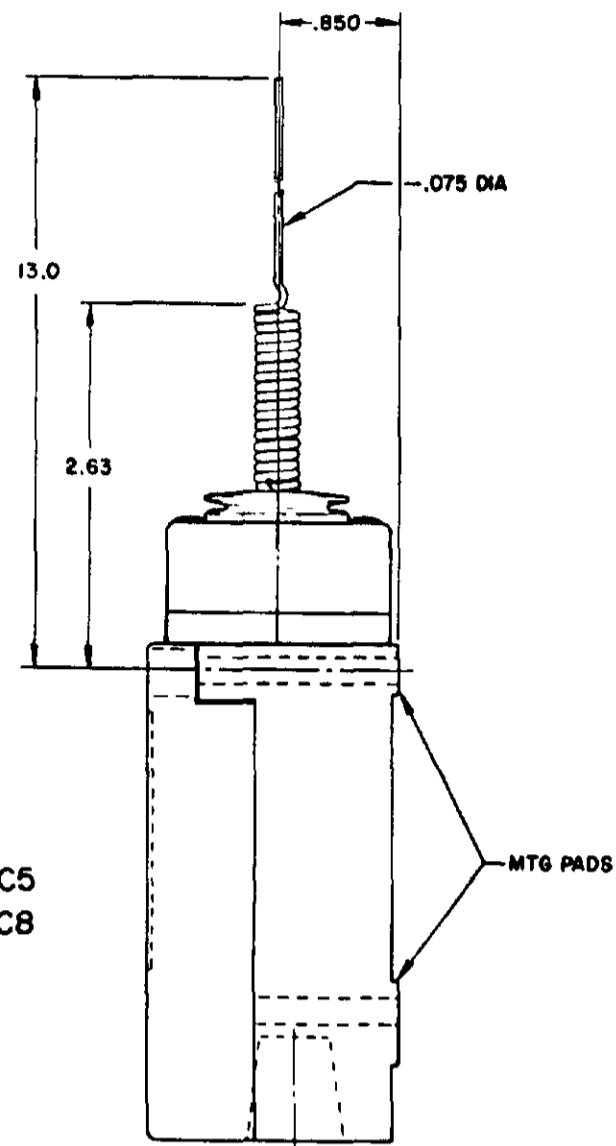


REPLACEMENT ACTUATOR LSZ4010

SINGLE POLE PLUG-IN ONLY
 WITH INDICATOR LAMP



120 LAMP VOLTAGE TYPE-LSYJB5 & LSYJC5
 240 LAMP VOLTAGE TYPE-LSYJB8 & LSYJC8



WIRE EXTENSION TYPE 7M ACTUATOR

FLOUROSILICONE SEALS
 LSYJB1 & LSYJB3

VITON SEALS
 LSYJC1 & LSYJC3

FLOUROSILICONE SEALS
 LSYJB2 & LSYJB4

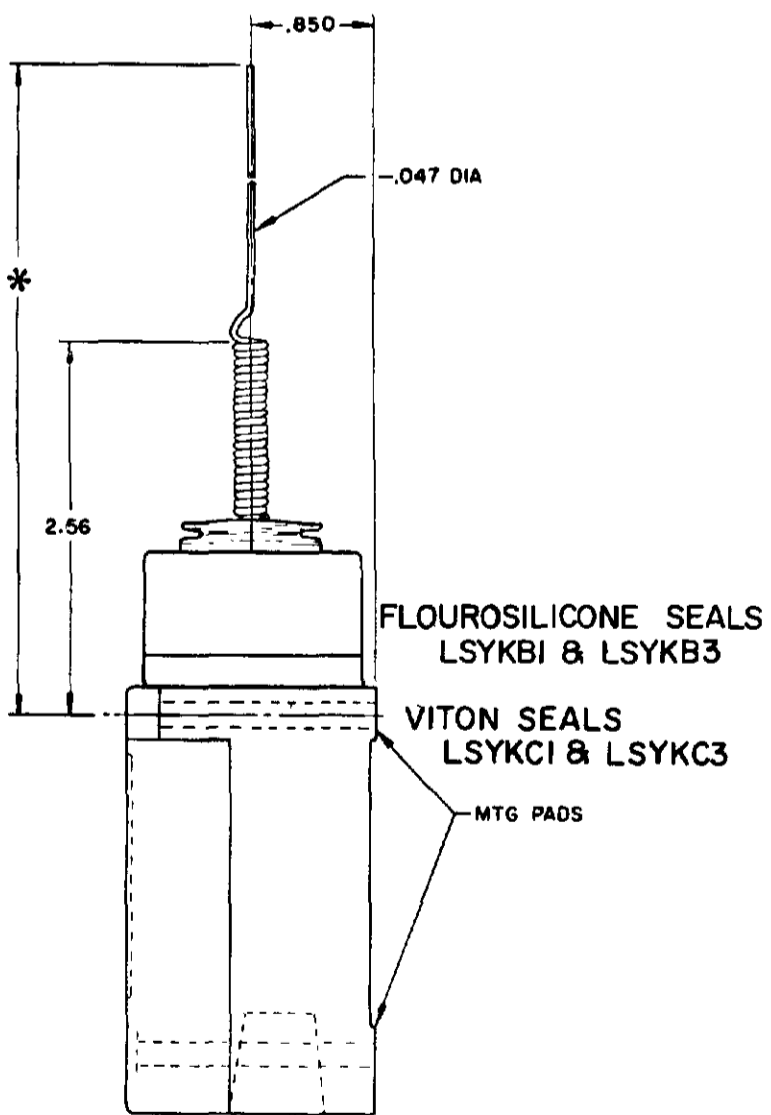
LSYJB6 & LSYJB7 HAVE 1/2-14 NPT CONDUIT HOLE

VITON SEALS LSYJC2 & LSYJC4
 LSYJC6 & LSYJC7 HAVE 1/2-14 NPT CONDUIT HOLE

REPLACEMENT ACTUATOR LSZ 4010

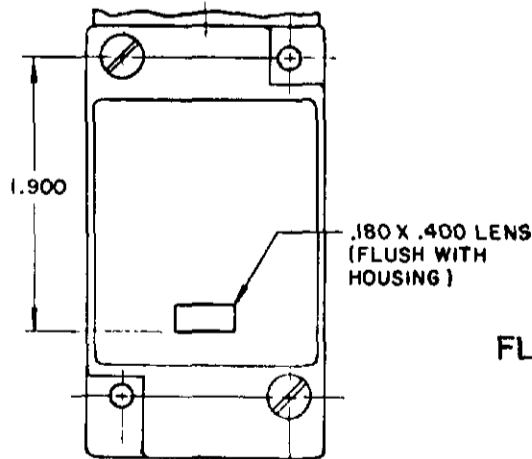
CAT WHISKER

SINGLE POLE



FLOUROSILICONE SEALS
 LSYKB1 & LSYKB3
 VITON SEALS
 LSYKC1 & LSYKC3

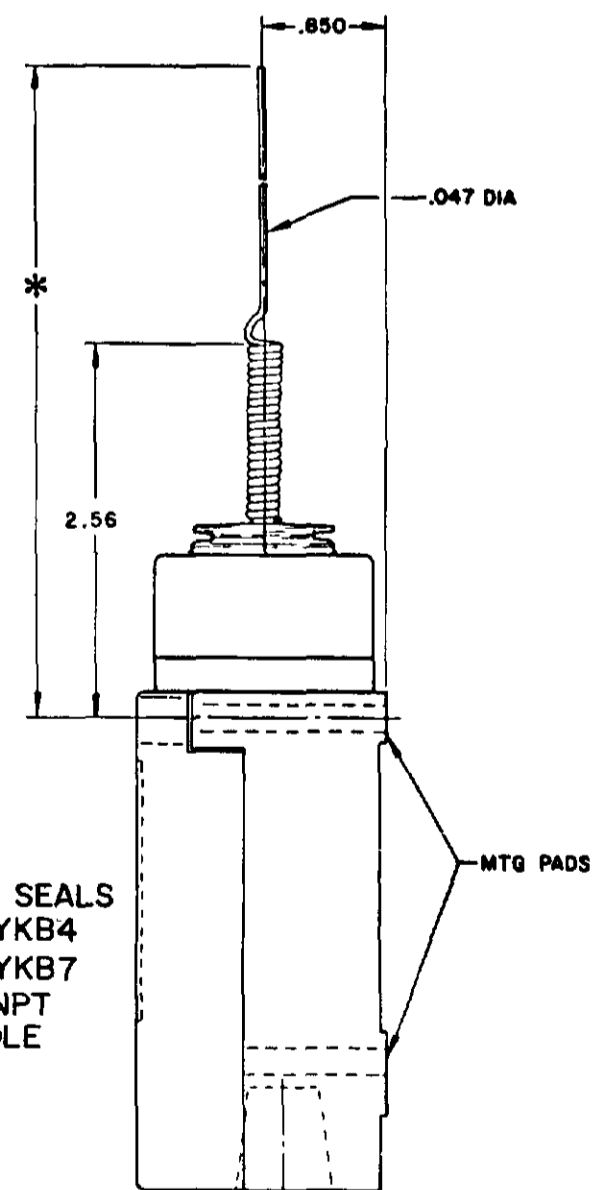
SINGLE POLE PLUG-IN ONLY
 WITH INDICATOR LAMP



FLOUROSILICONE SEALS
 120 LAMP VOLTAGE
 LSYKB5 CAT WHISKER LSYBB5 TOP ROTARY
 240 LAMP VOLTAGE
 LSYKB8 CAT WHISKER LSYBB8 TOP ROTARY

VITON SEALS
 120 LAMP VOLTAGE
 LSYKC5 CAT WHISKER LSYBC5 TOP ROTARY
 240 LAMP VOLTAGE
 LSYKC8 CAT WHISKER LSYBC8 TOP ROTARY

DOUBLE POLE



FLOUROSILICONE SEALS
 LSYKB2 & LSYKB4
 LSYKB6 & LSYKB7
 HAVE 1/2-14 NPT
 CONDUIT HOLE

WIRE EXTENSION REPLACEMENTS

*TYPE 8 A ACTUATOR 5.5 IN. - LSZ 4012
 TYPE 8 B ACTUATOR 7.5 IN. - LSZ 4013
 TYPE 8 C ACTUATOR 5.5 IN. - LSZ 4014

WIRE EXTENSION
 *TYPE 8 A ACTUATOR 5.5 IN.
 TYPE 8 B ACTUATOR 7.5 IN.
 TYPE 8 C COIL ACTUATOR 5.5 IN

| PRETRAVEL (APPROX) IN. RADIUS | CAT WHISKER | | | WOBBLE STICK | | |
|-------------------------------|-------------|------------|------------|--------------|-------|------|
| | 5/16" COIL | 5/16" WIRE | 7/16" WIRE | ROD | CABLE | WIRE |
| | 2 | 2 | 4.5 | 1.0 | 1.5 | 4.0 |
| OPERATING FORCE-OZ (MAX) | 7.0 | 5.0 | 3.0 | 10.0 | 7.0 | 5.0 |

NOTE-
 1 - ALL UNITS AVAILABLE WITH
 FLOUROSILICONE AND VITON SEALS

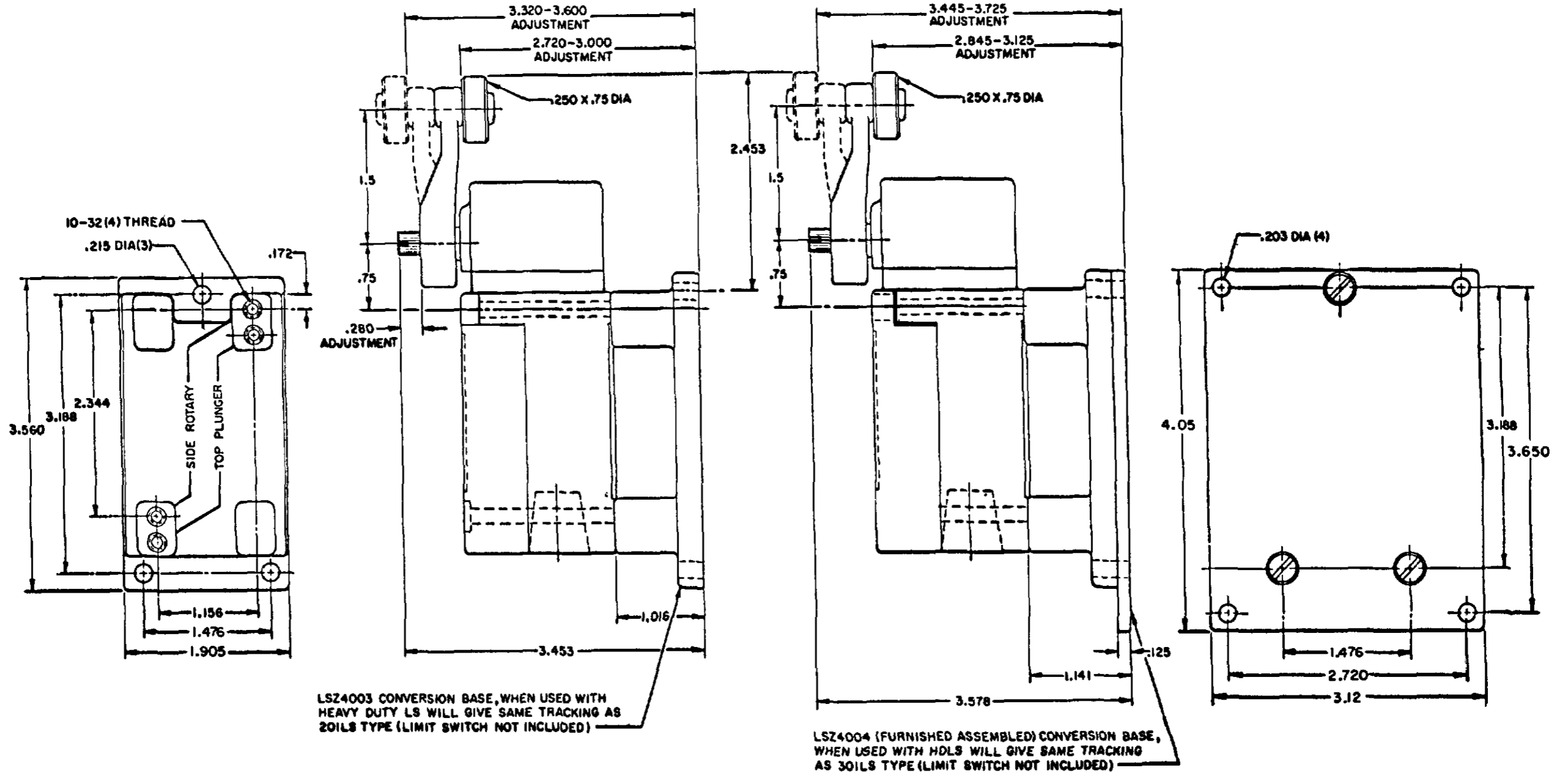
MICRO SWITCH
 THIS DRAWING COVERS A PROPRIETARY ITEM AND IS THE PROPERTY OF MICRO SWITCH A DIVISION OF HONEYWELL. THIS DRAWING IS NOT TO BE COPIED OR USED WITHOUT THE APPROVAL OF MICRO SWITCH.
 MICRO SWITCH
 FREEPORT, ILLINOIS, U.S.A.
 A DIVISION OF HONEYWELL
 REG. U.S. PAT. & TM. OFF.
SWITCH - ENCLOSED
 LSY SERIES
 CHART 1

SCALE NONE
 DO NOT SCALE PRINT

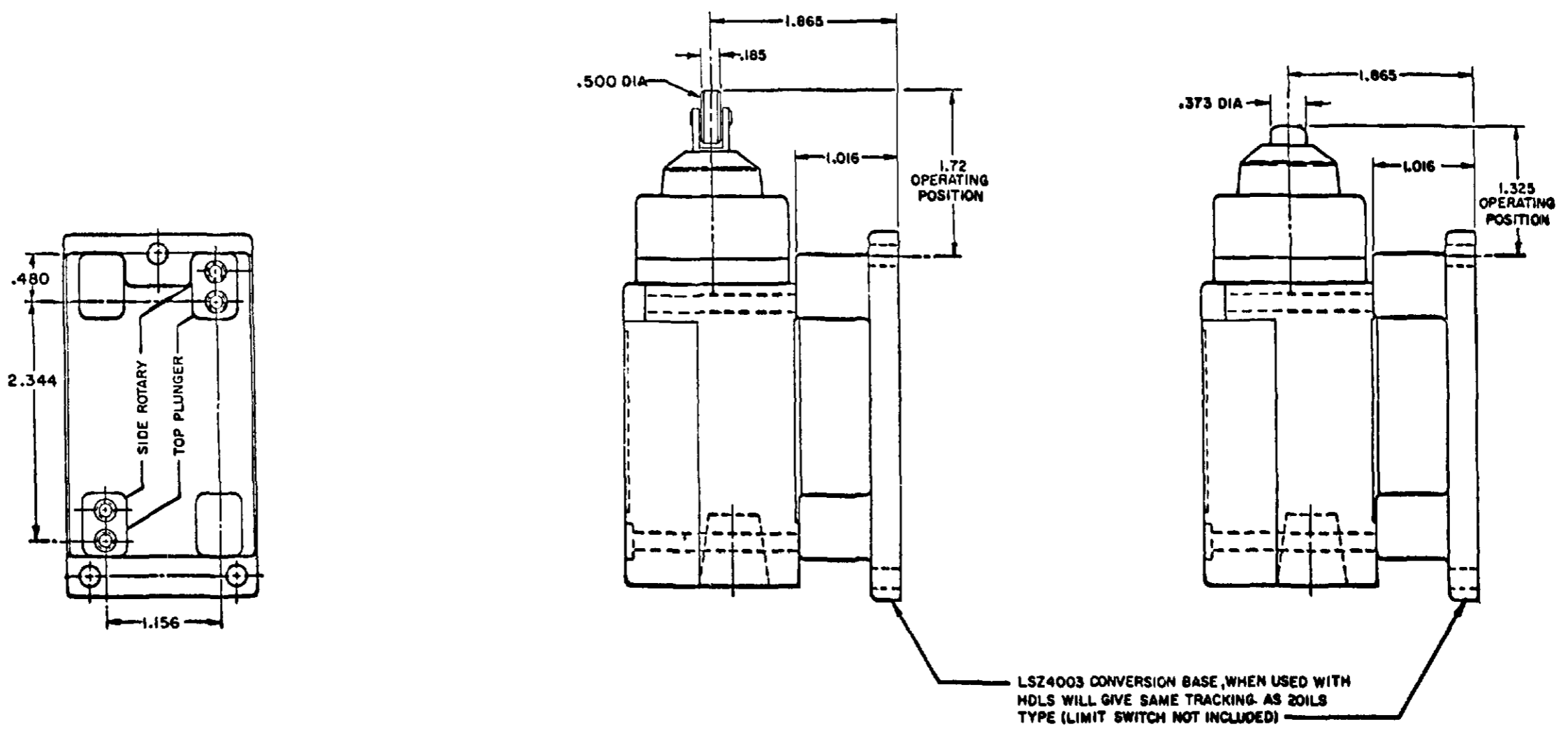
CONVERSION BASES

SINGLE POLE (SIDE ROTARY) LSZ 4003

DOUBLE POLE (SIDE ROTARY) LSZ4004



SINGLE POLE TOP PLUNGER LSZ4003



MICRO SWITCH
 A DIVISION OF HONEYWELL
 PREPARED ILLINOIS U.S.A.
 F.D. MFG. CODE 8188

THIS DRAWING COVERS A PROPRIETARY ITEM AND IS THE PROPERTY OF MICRO SWITCH, A DIVISION OF HONEYWELL. THIS DRAWING IS NOT TO BE COPIED OR USED WITHOUT THE APPROVAL OF MICRO SWITCH.

SWITCH - ENCLOSED

LSY SERIES
 CATALOG LISTING
 CHART 1

SCALE FULL
 DO NOT SCALE PRINT

TEMPERATURE LIMITATIONS FOR
DEVICES WITH FLUORSILICONE (LSYAB**) AND VITON (LSYAC**) SEALS

ALL HEAD TYPES WITH SEALS OF

| | 3 | | | | | | | | | | | | | | | | | | | | | | | | | | | | | | | | | | | | | | | |
|----------------|---|---|---|---|---|---|---|---|---|---|---|---|---|---|---|---|---|---|---|---|---|---|---|---|---|---|---|---|---|---|---|---|---|---|---|---|---|---|---|---|
| FLUOR-SILICONE | 1 | 4 | 1 | 1 | 1 | 1 | 1 | 1 | 2 | 2 | 4 | 1 | 1 | 1 | 1 | 1 | 1 | 1 | 2 | 1 | 4 | 4 | 1 | 1 | 1 | | | | | | | | | | | | | | | |
| VITON | 2 | 1 | 1 | 1 | 1 | 1 | 1 | 1 | 1 | 1 | 1 | 1 | 1 | 1 | 1 | 1 | 1 | 1 | 1 | 1 | 1 | 1 | 1 | 1 | 1 | 1 | 1 | 1 | 1 | 1 | 1 | 1 | 1 | 1 | 1 | 1 | 1 | 1 | 1 | 1 |

CODE: 1 SATISFACTORY 2 FAIR 3 DOUBTFUL 4 UNSATISFACTORY

- 1 FLUORSILICONE SEAL (LSYAB**) FOR LOW TEMPERATURE APPLICATIONS
- 2 VITON SEALS (LSYAC**) FOR FIRE-RESISTANT FLUIDS
- 3 ALL EXCEPT A60

| | LOW LIMIT | HIGH LIMIT |
|-------|-----------|------------|
| LSYAB | -40° F | +250° F |
| LSYAC | +10° F | +250° F |
| LSYBB | -20° F | +250° F |
| LSYBC | +30° F | +250° F |
| LSYCB | -40° F | +200° F |
| LSYCC | +10° F | +250° F |
| LSYDB | -40° F | +200° F |
| LSYDC | +10° F | +250° F |
| LSYEB | -40° F | +200° F |
| LSYEC | +10° F | +250° F |
| LSYFB | -40° F | +200° F |
| LSYFC | +10° F | +250° F |
| LSYGB | -20° F | +200° F |
| LSYGC | +30° F | +250° F |
| LSYHB | -20° F | +250° F |
| LSYHC | +30° F | +250° F |
| LSYJB | -40° F | +250° F |
| LSYJC | +30° F | +250° F |
| LSYKB | -20° F | +250° F |
| LSYKC | +30° F | +250° F |
| LSYLB | -40° F | +250° F |
| LSYLC | +10° F | +250° F |
| LSYMB | -40° F | +250° F |
| LSYMC | +10° F | +250° F |
| LSYNB | -20° F | +250° F |
| LSYNC | +30° F | +250° F |
| LSYPB | -40° F | +250° F |
| LSYPC | +10° F | +250° F |
| LSYRB | -20° F | +250° F |
| LSYRC | +30° F | +250° F |
| LSYVB | -40° F | +200° F |
| LSYVC | +10° F | +250° F |
| LSYWB | -40° F | +200° F |
| LSYWC | +10° F | +250° F |

CATALOG LISTING
LSY SERIES CHART 1
PAGE 10 OF 10
RELEASE NO CO-78499
REFLECTS LSY SERIES
ISSUE 7
PSR 10JUL07
CHECK 10JUL07
REVISIONS
A 1994B
B 200704
C 200853
D 202198
E 0012601
F 10031956
BS 10JUL07
GJM 24 AUG 94
JAF 12 SEP 94
RASTER
DRAWN

THIS DRAWING COVERS A PROPRIETARY ITEM AND IS THE PROPERTY OF MICRO SWITCH A DIVISION OF HONEYWELL. THIS DRAWING IS NOT TO BE COPIED OR USED WITHOUT THE APPROVAL OF MICRO SWITCH.

MICRO SWITCH
FREEPORT ILLINOIS U.S.A.
A DIVISION OF HONEYWELL
FED. MFG. CODE 91929

SWITCH - ENCLOSED

CATALOG LISTING
LSY SERIES
CHART 1

SCALE
DO NOT SCALE PRINT



Компания «ЭлектроПласт» предлагает заключение долгосрочных отношений при поставках импортных электронных компонентов на взаимовыгодных условиях!

Наши преимущества:

- Оперативные поставки широкого спектра электронных компонентов отечественного и импортного производства напрямую от производителей и с крупнейших мировых складов;
- Поставка более 17-ти миллионов наименований электронных компонентов;
- Поставка сложных, дефицитных, либо снятых с производства позиций;
- Оперативные сроки поставки под заказ (от 5 рабочих дней);
- Экспресс доставка в любую точку России;
- Техническая поддержка проекта, помощь в подборе аналогов, поставка прототипов;
- Система менеджмента качества сертифицирована по Международному стандарту ISO 9001;
- Лицензия ФСБ на осуществление работ с использованием сведений, составляющих государственную тайну;
- Поставка специализированных компонентов (Xilinx, Altera, Analog Devices, Intersil, Interpoint, Microsemi, Aeroflex, Peregrine, Syfer, Eurofarad, Texas Instrument, Miteq, Cobham, E2V, MA-COM, Hittite, Mini-Circuits, General Dynamics и др.);

Помимо этого, одним из направлений компании «ЭлектроПласт» является направление «Источники питания». Мы предлагаем Вам помощь Конструкторского отдела:

- Подбор оптимального решения, техническое обоснование при выборе компонента;
- Подбор аналогов;
- Консультации по применению компонента;
- Поставка образцов и прототипов;
- Техническая поддержка проекта;
- Защита от снятия компонента с производства.



Как с нами связаться

Телефон: 8 (812) 309 58 32 (многоканальный)

Факс: 8 (812) 320-02-42

Электронная почта: org@eplast1.ru

Адрес: 198099, г. Санкт-Петербург, ул. Калинина, дом 2, корпус 4, литера А.