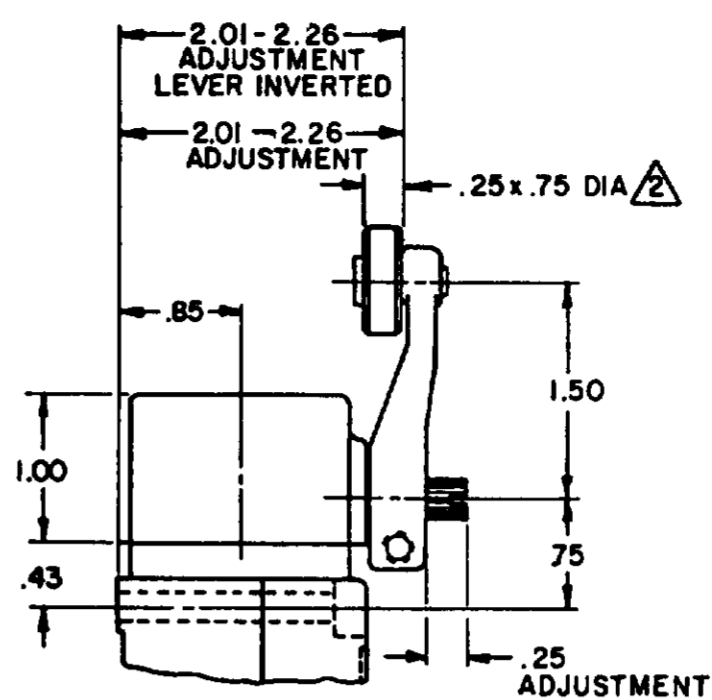
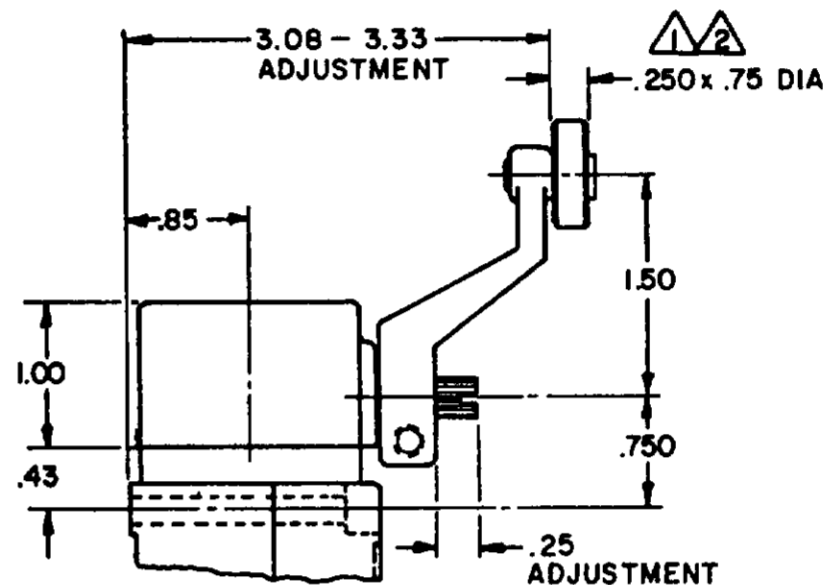


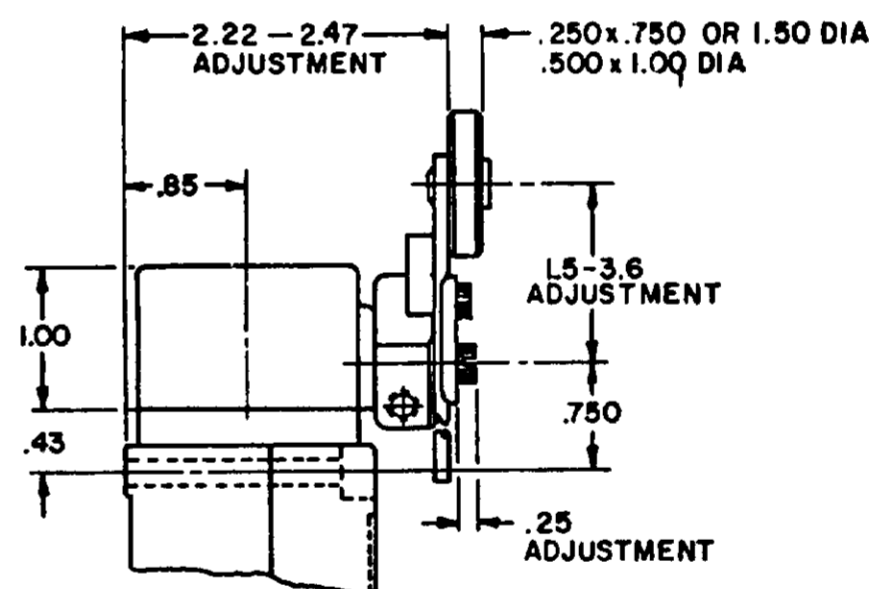
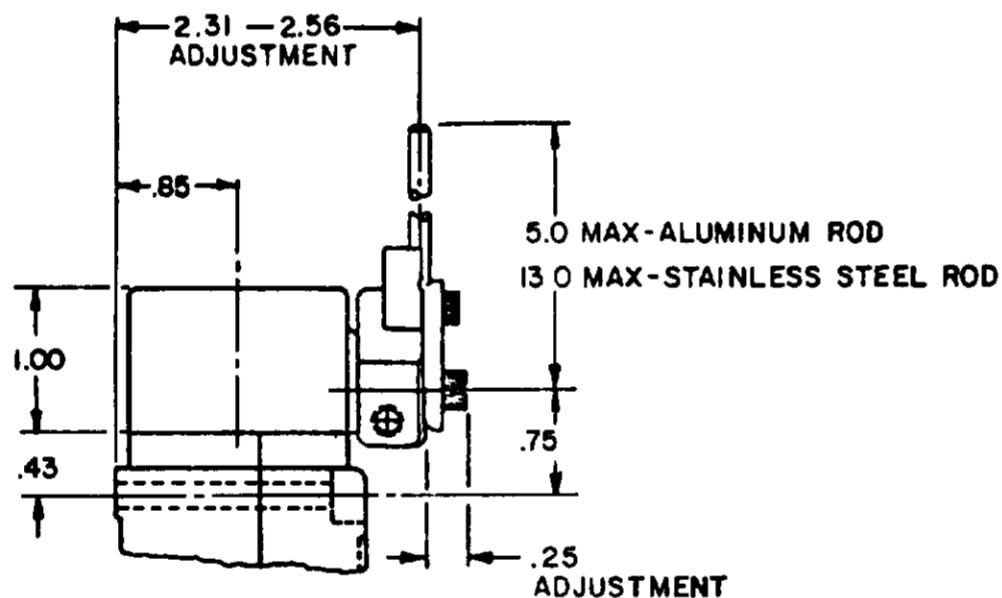
SIDE ROTARY CAM TRACKING



LSZ51 TYPE LEVERS

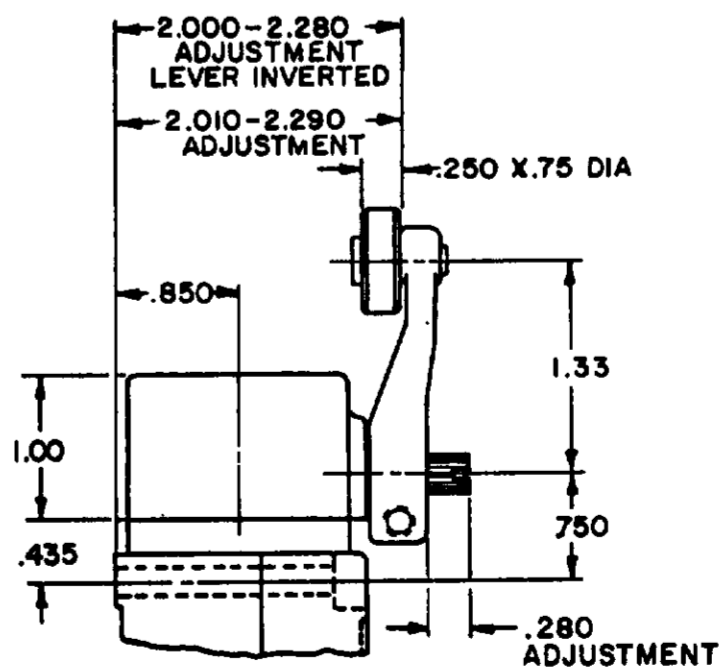


LSZ55 TYPE LEVERS



LSZ54 TYPE LEVER

LSZ52 TYPE LEVER



LSZ59 TYPE LEVERS

NOTES

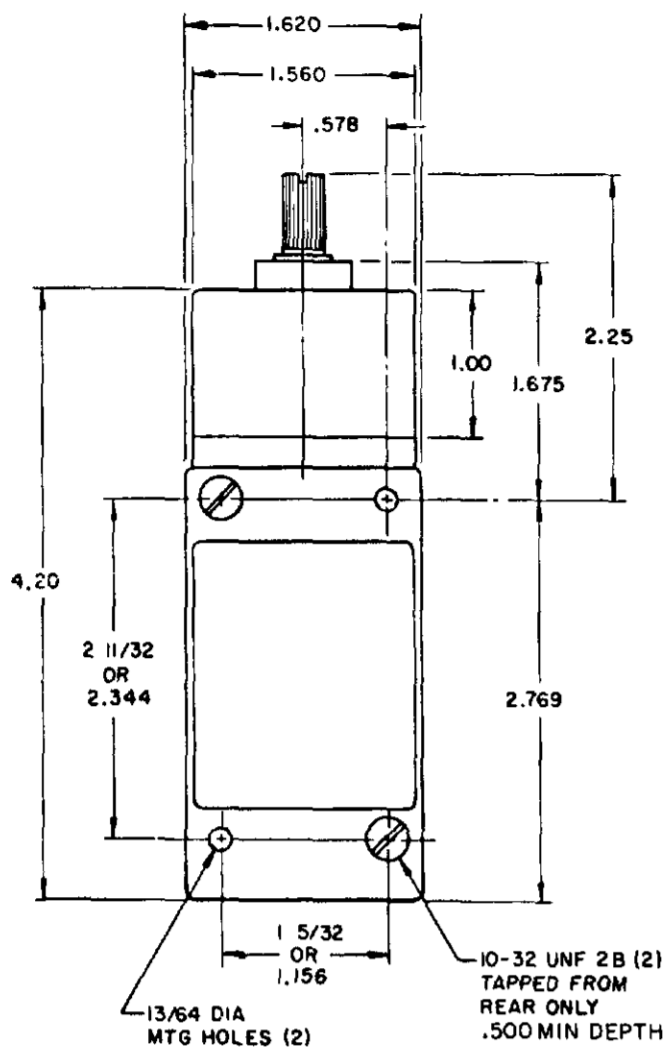
- ▲ ALSO AVAILABLE IN .250 X 1.500 DIA NYLON, BUT LEVER CANNOT BE INVERTED
- ▲ FOR ADDITIONAL ROLLER WIDTHS AND/OR DIAMETERS REFER TO (M)
- 3 - FOR ADDITIONAL TYPES OF ROLLERS AND LEVERS REFER TO LSZ CHART 1 (M)

MICRO SWITCH
 a Honeywell Division
 THIS DRAWING COVERS A PROPRIETARY ITEM AND IS THE PROPERTY OF MICRO SWITCH A DIVISION OF HONEYWELL. THIS DRAWING IS NOT TO BE COPIED OR USED WITHOUT THE APPROVAL OF MICRO SWITCH CATALOG LISTING
 CHART 1
 LSY SERIES

THIRD ANGLE PROJECTION
 SCALE NONE
 DO NOT SCALE PRINT
 UNLESS OTHERWISE SPECIFIED TOLERANCES ARE:
 ONE PLACE (.0) ± .030
 TWO PLACE (.00) ± .015
 THREE PLACE (.000) ± .005
 ANGLES ±

TOP ROTARY

SINGLE POLE

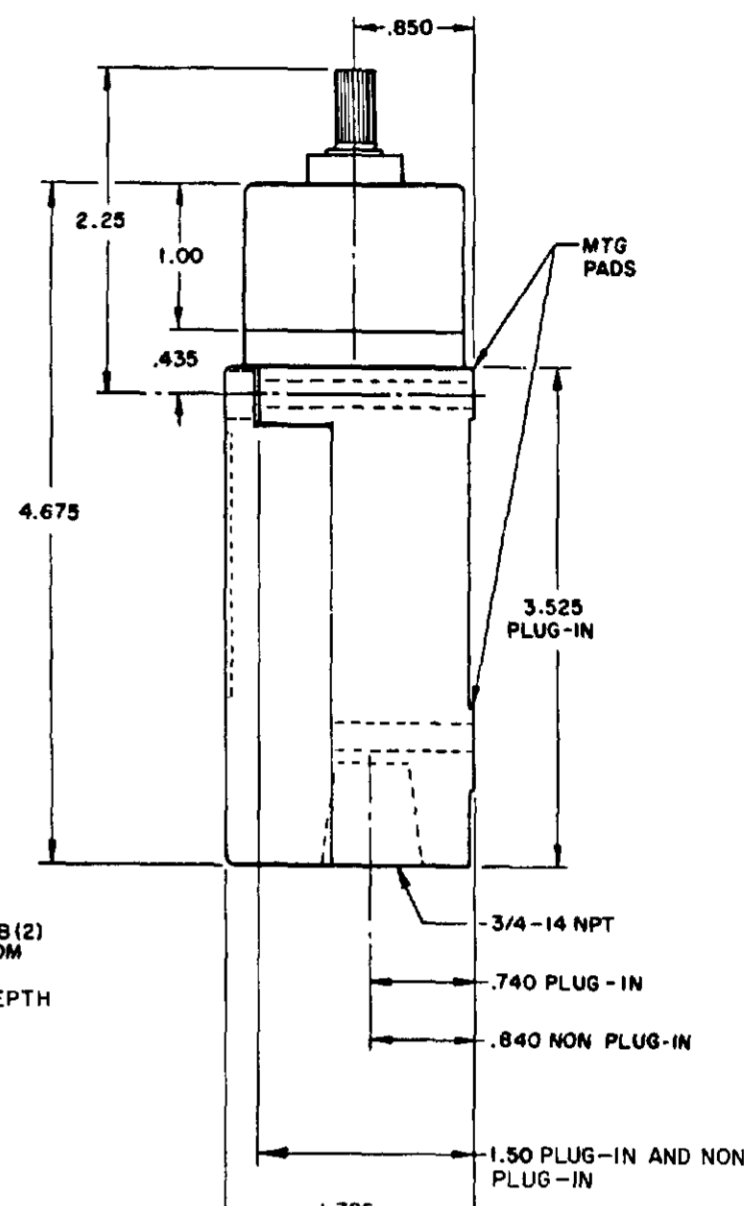


FLOUROSILICONE SEALS
LSYBBI & LSYBB3

VITON SEALS
LSYBCI & LSYBC3



DOUBLE POLE



FLOUROSILICONE SEALS
LSYBB2 & LSYBB4
LSYBB6 & LSYBB7 HAVE 1/2-14NPT
CONDUIT HOLE

VITON SEALS
LSYBC2 & LSYBC4, LSYBC6 & LSYBC7
HAVE 1/2-14NPT CONDUIT HOLE

	SINGLE POLE	DOUBLE POLE
PRETRAVEL MAX	25°	25°
OVERTRAVEL MIN	110°	110°
DIFFERENTIAL TRAVEL MAX	10°	12°
OPERATING TORQUE MAX	2.5 IN. LBS	2.5 IN. LBS
TOTAL TRAVEL (REF)	135°	135°

ELECTRICAL RATINGS

10 AMP CONT.

A.C. VOLTAGE	AMPS AT .35 POWER FACTOR			
	SINGL. POL.		DOUBL. POL.	
	MAKE	BREAK	MAKE	BREAK
120	60	6	10	3
240	30	3	15	1.5
480	15	1.5	7.5	.75
600	12	1.2	6	.6

D.C. VOLTAGE	MAKE & BREAK INDUCTIVE	RESISTIVE
120	0.25	0.80
240	0.15	0.40

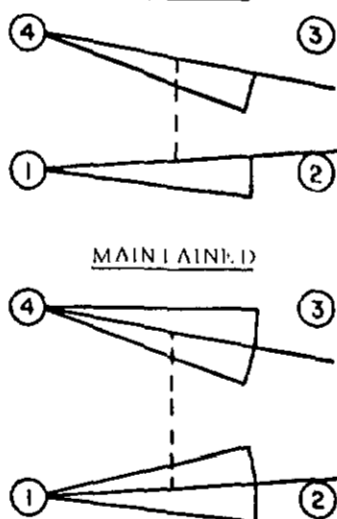
ELECTRONIC DUTY BASIC SWITCH
10 AMP CONT.

VOLTAGE	MAKE AND BREAK AMPS
5 AC OR DC MIN	.01 AMP MIN
600 AC	720 VA
240 DC	30 WATT

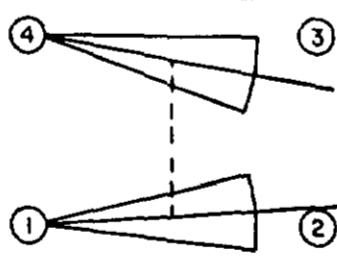
WIRING BASIC SWITCH (SAME POLARITY MUST BE OBSERVED FOR EACH POLE)

SINGLE POLE

MOMENTARY



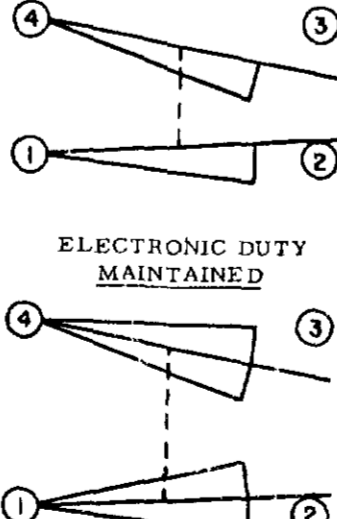
MAINTAINED



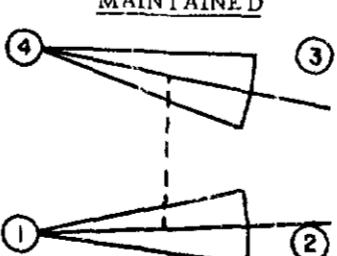
SINGLE POLE

ELECTRONIC DUTY

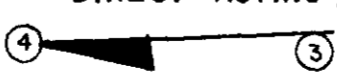
MOMENTARY



MAINTAINED

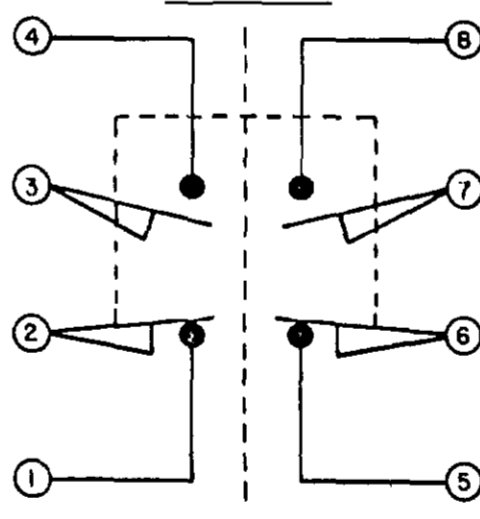


DIRECT ACTING

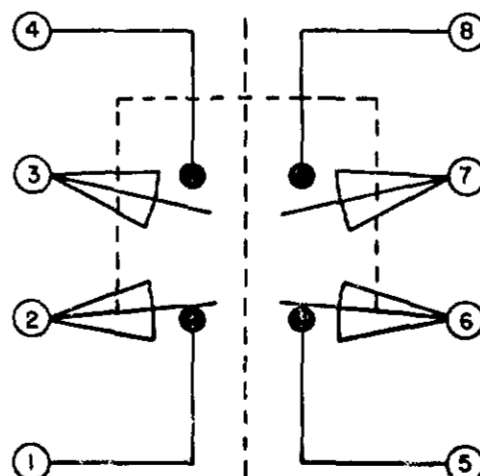


DOUBLE POLE

MOMENTARY



MAINTAINED



DIRECT ACTING (ALSO RATED AT A.C. 10 AMP CONT.)

D.C. VOLTAGE	MAKE AND BREAK AMPS	
	INDUCTIVE	RESISTIVE
30	4.2	4.2
120	1.1	1.1
240	.55	.55

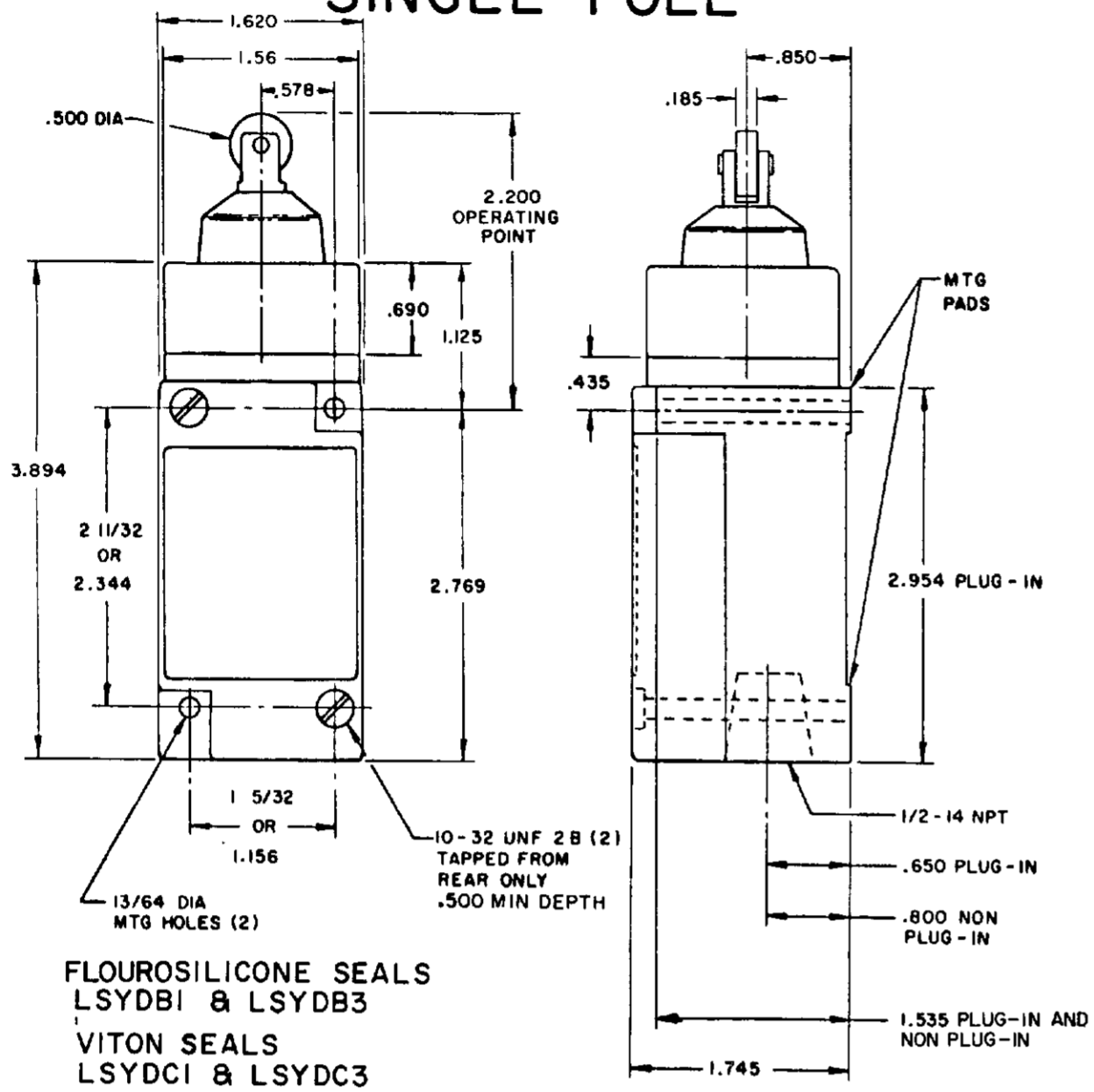
NOTES:
1 - ALL UNITS AVAILABLE WITH FLOUROSILICONE AND VITON SEALS
2 DIFFERENTIAL TRAVEL ON ALL OPERATING CHARACTERISTICS NOT APPLICABLE

MICRO SWITCH
 FREEMONT, ILL. U.S.A.
 A DIVISION OF HONEYWELL
 FID. WFO. CGE. SIBS
 SWITCH - ENCLOSED
 CHART 1
 LSY SERIES
 CATALOG LISTING

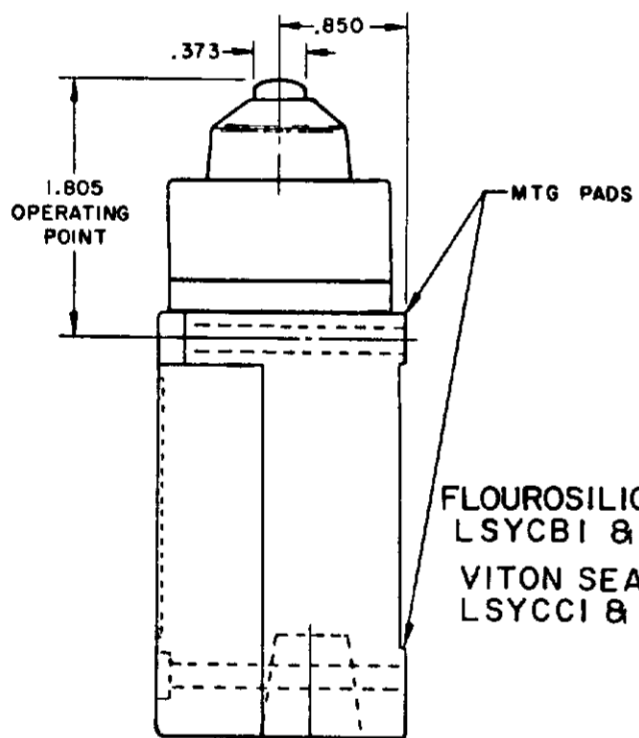
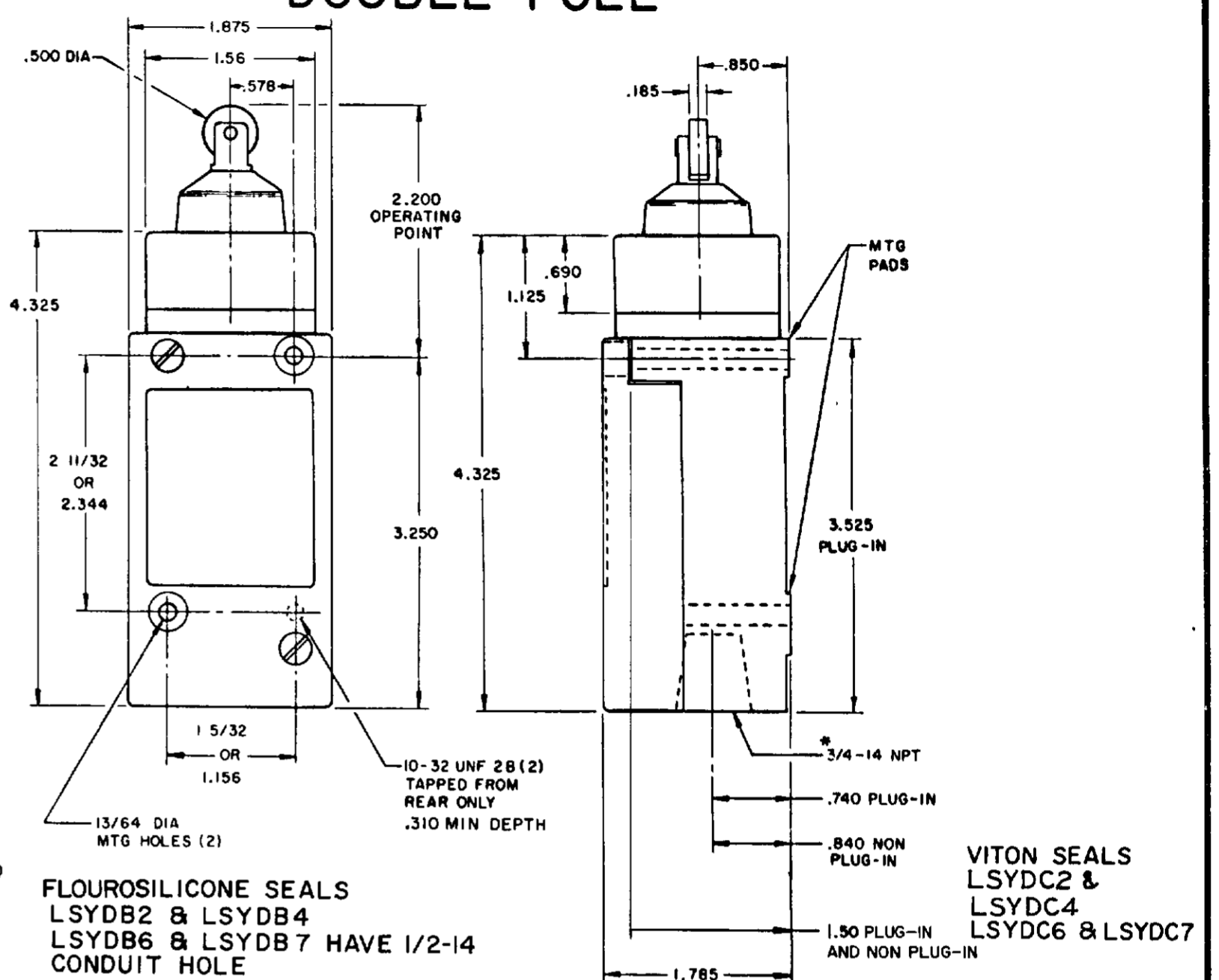
SCALE NONE
DO NOT SCALE PRINT

PLUNGER TYPE TOP

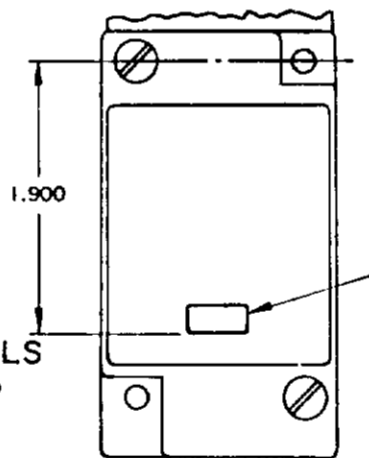
SINGLE POLE



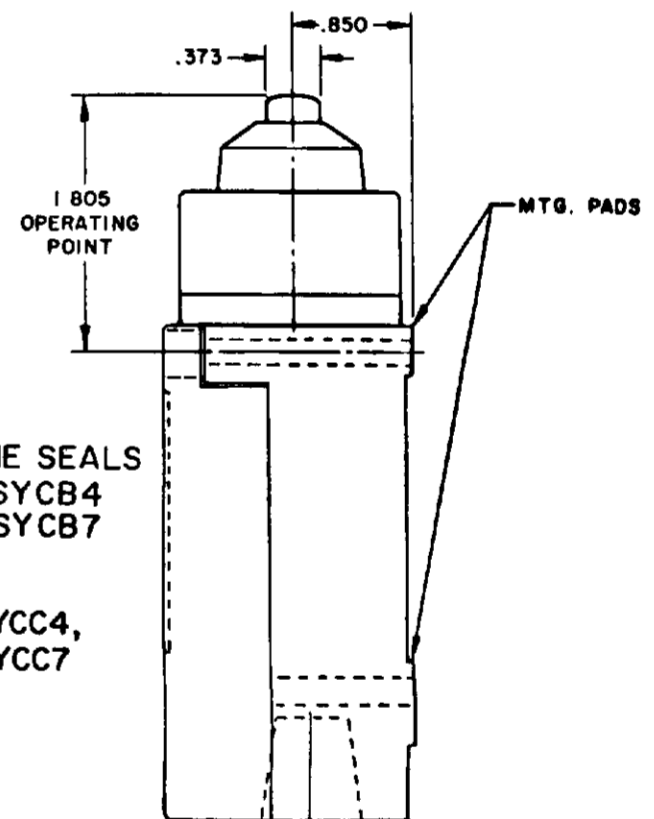
DOUBLE POLE



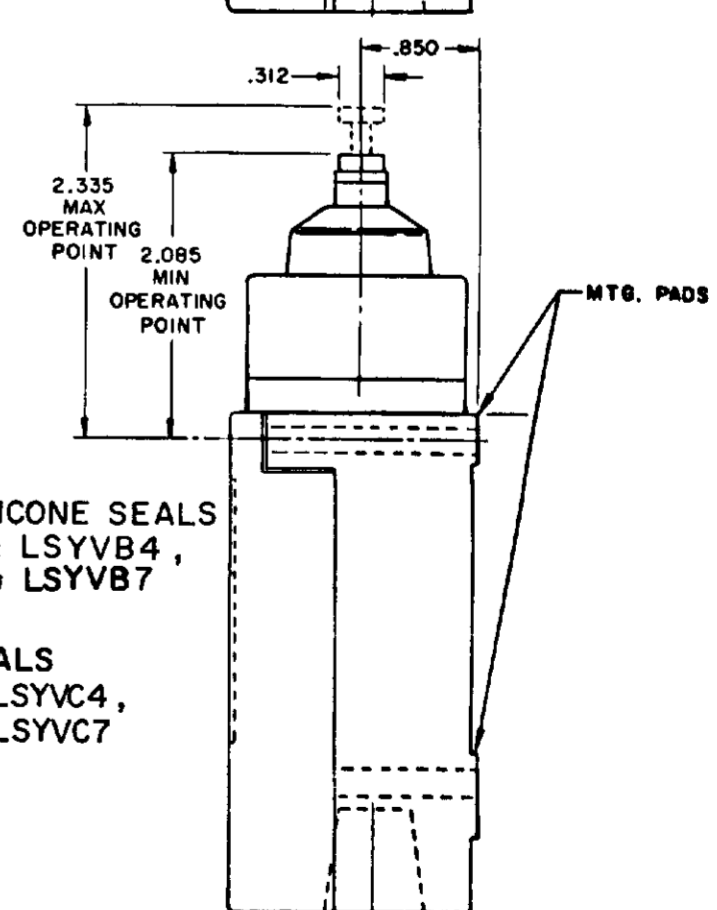
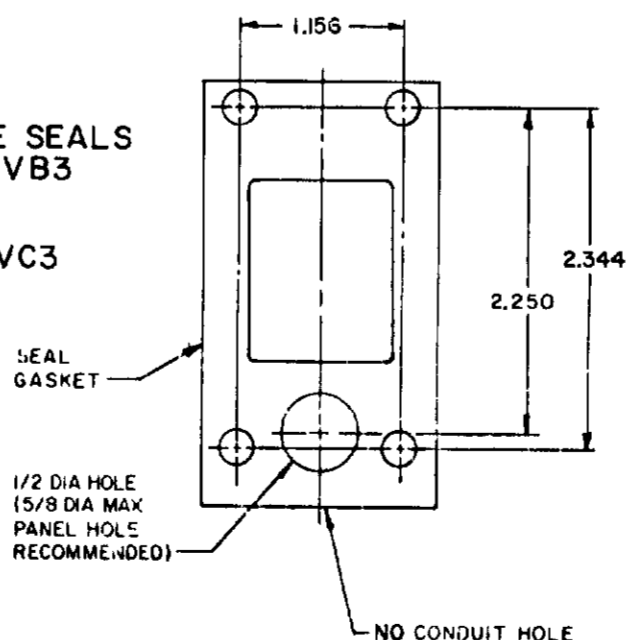
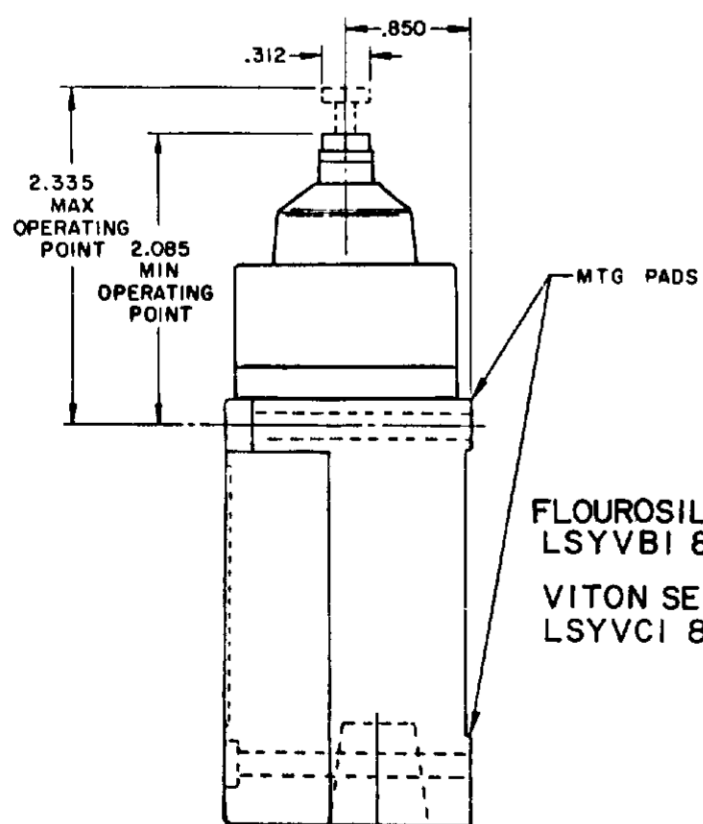
SINGLE POLE PLUG-IN ONLY
WITH INDICATOR LAMP



120 LAMP VOLTAGE -
LSYCB 5, LSYDB5, LSYVB5
LSYCC 5, LSYDC5, LSYVC5
240 LAMP VOLTAGE -
LSYCB8, LSYDB8, LSYVB8
LSYCC8, LSYDC8, LSYVC8



MANIFOLD MOUNT (PLUG-IN ONLY)
SINGLE POLE AND DOUBLE POLE
TYPE LSYA THROUGH LSYW SERIES



NOTES:
1 - ALL UNITS AVAILABLE WITH
FLUOROSILICONE AND VITON SEALS

MICRO SWITCH
THIS DRAWING GOVERNS A PROPRIETARY ITEM AND IS THE PROPERTY OF MICRO SWITCH, A DIVISION OF
MONEYWELL. THIS DRAWING IS NOT TO BE COPIED OR USED WITHOUT THE APPROVAL OF MICRO SWITCH.
A DIVISION OF MONEYWELL
180 W. 50TH ST. ST. LOUIS, MO. 63112

SWITCH - ENCLOSED

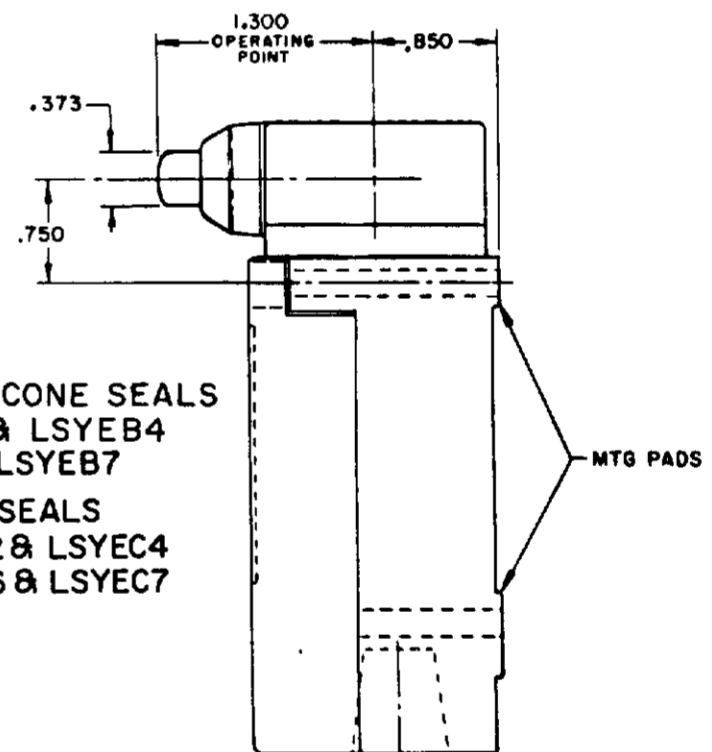
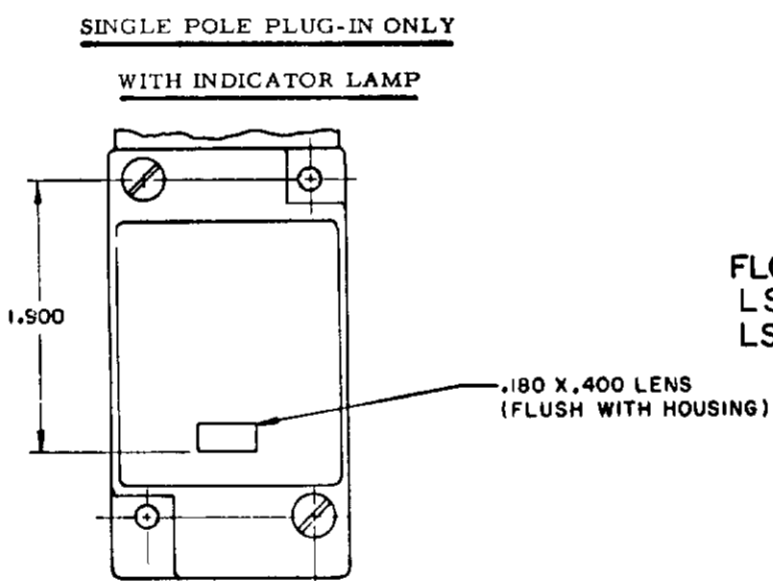
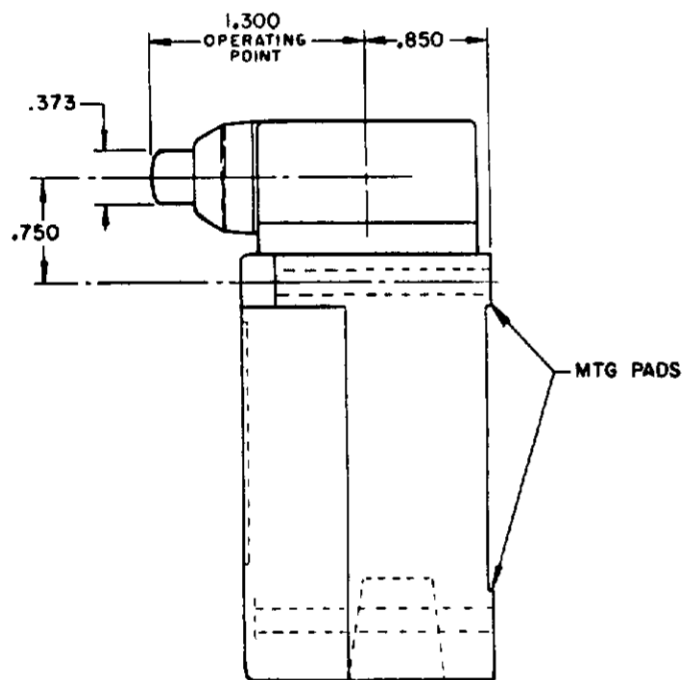
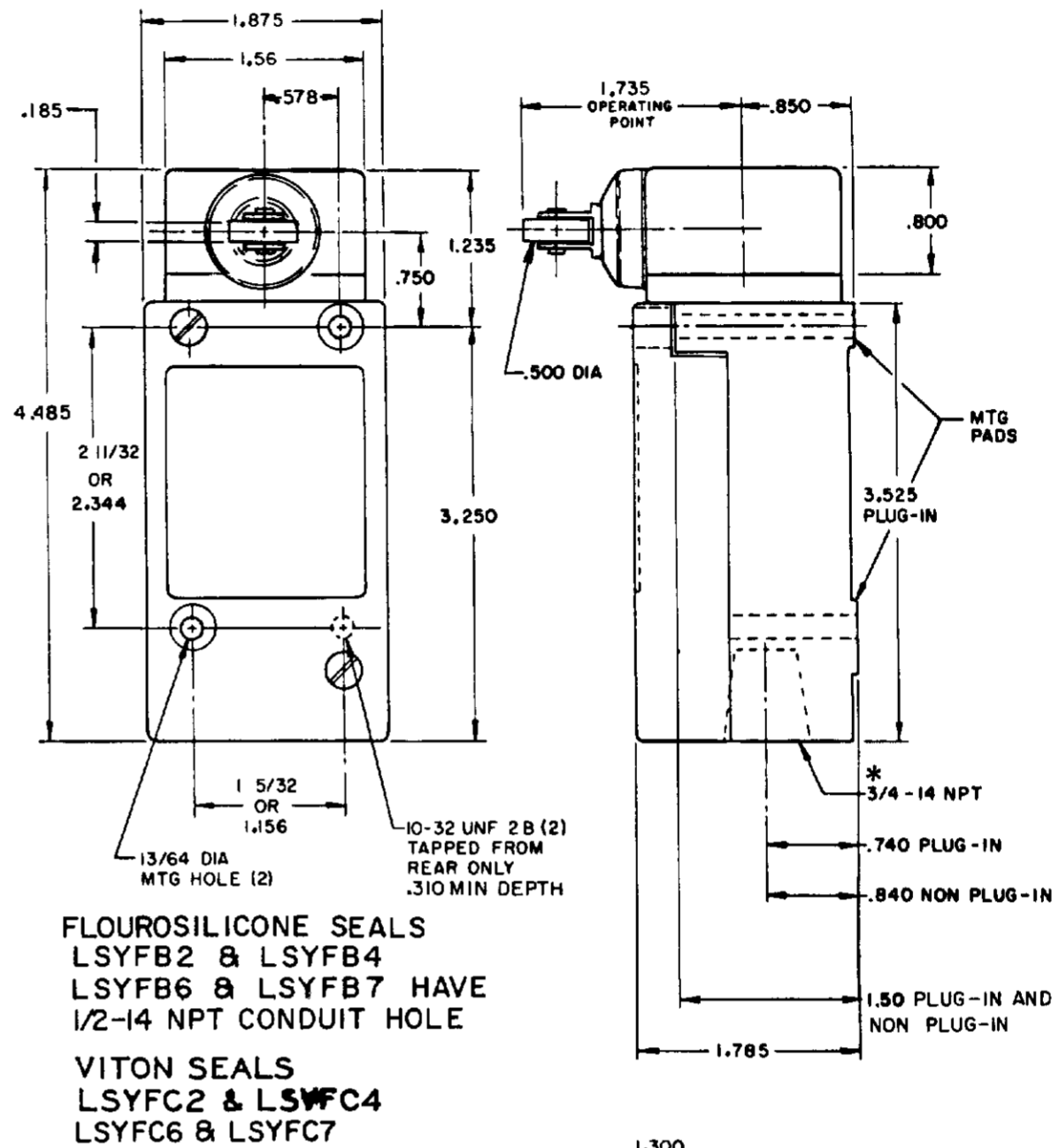
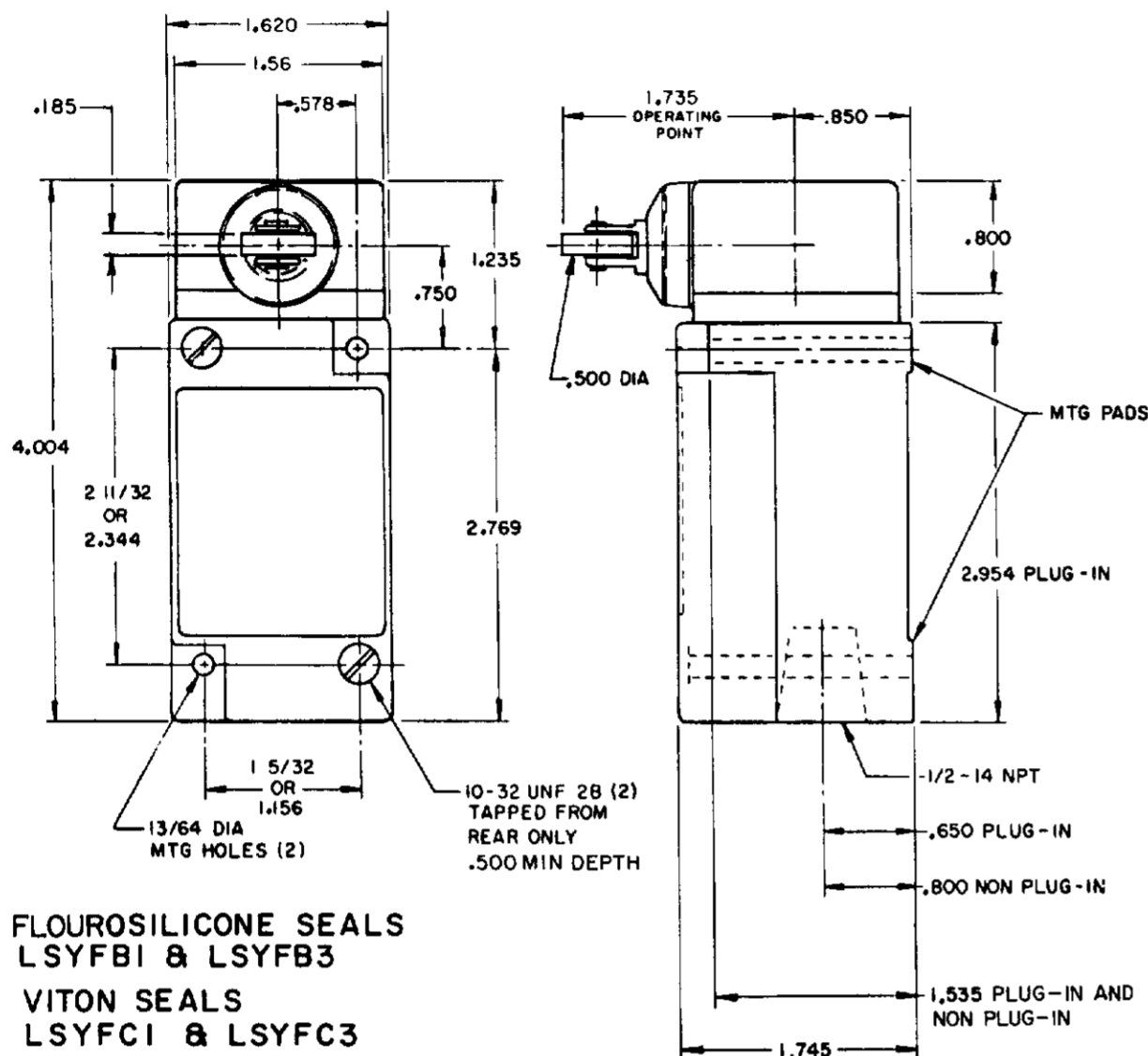
LSY SERIES
CHART 1

SCALE NONE
DO NOT SCALE PRINT

SIDE PLUNGER TYPE

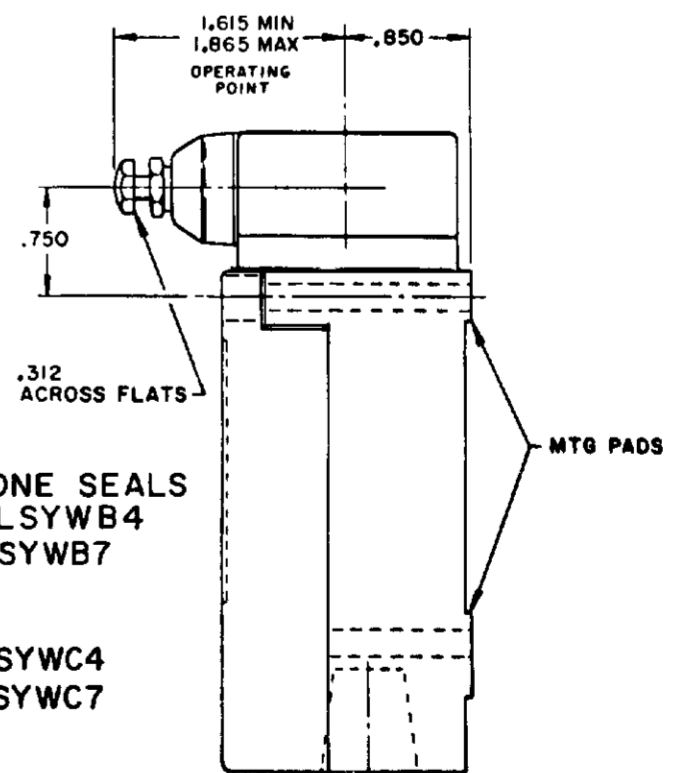
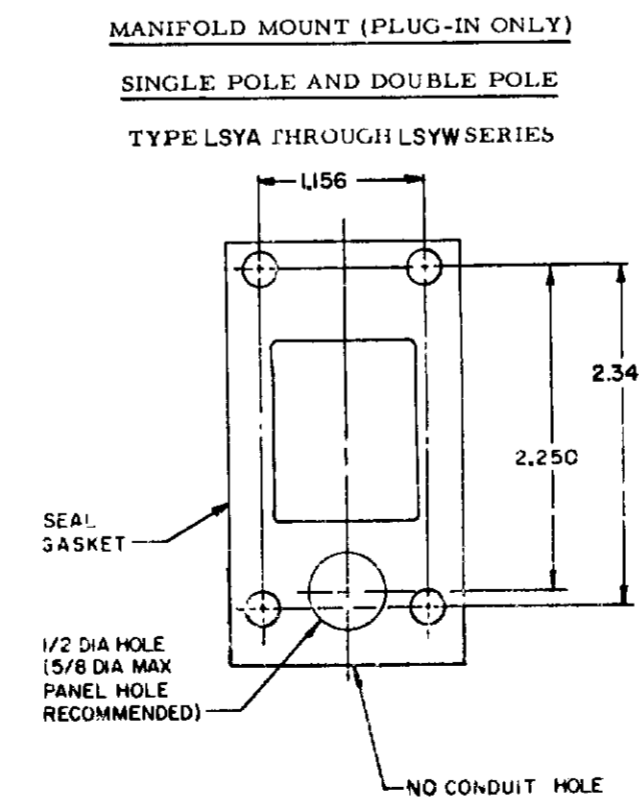
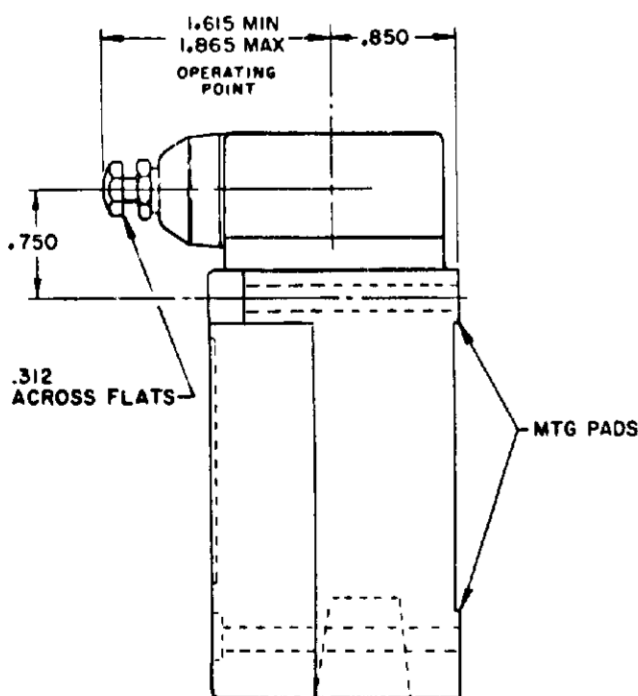
SINGLE POLE

DOUBLE POLE



120 LAMP VOLTAGE -
 LSYFB5, LSYEB5, LSYWB5
 LSYFC5, LSYEC5, LSYWC5

240 LAMP VOLTAGE -
 LSYFB8, LSYEB8, LSYWB8
 LSYFC8, LSYEC8, LSYWC8



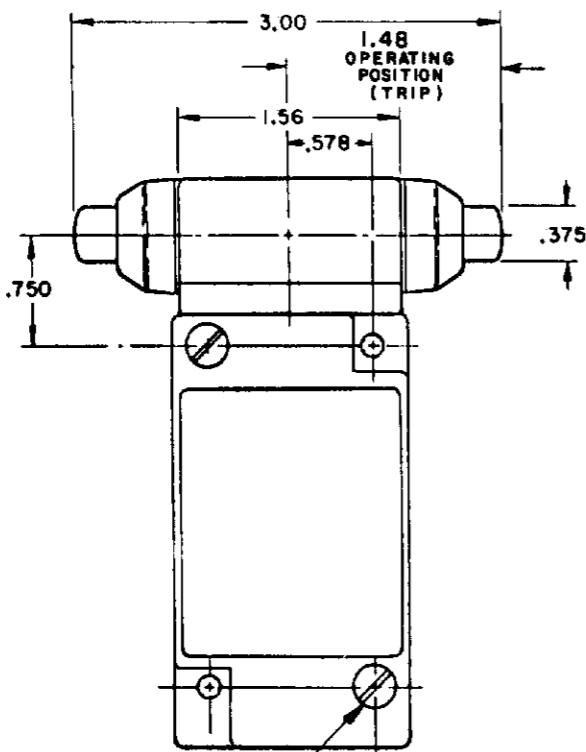
NOTES:
 1 - ALL UNITS AVAILABLE WITH
 FLOUROSILICONE AND VITON SEALS

MICRO SWITCH
 FREEPORT ILLINOIS U.S.A.
 A DIVISION OF HONEYWELL
 REG. U.S. PAT. & TM. OFF.

SWITCH - ENCLOSED

LSY SERIES
 CATALOG LISTING
CHART 1

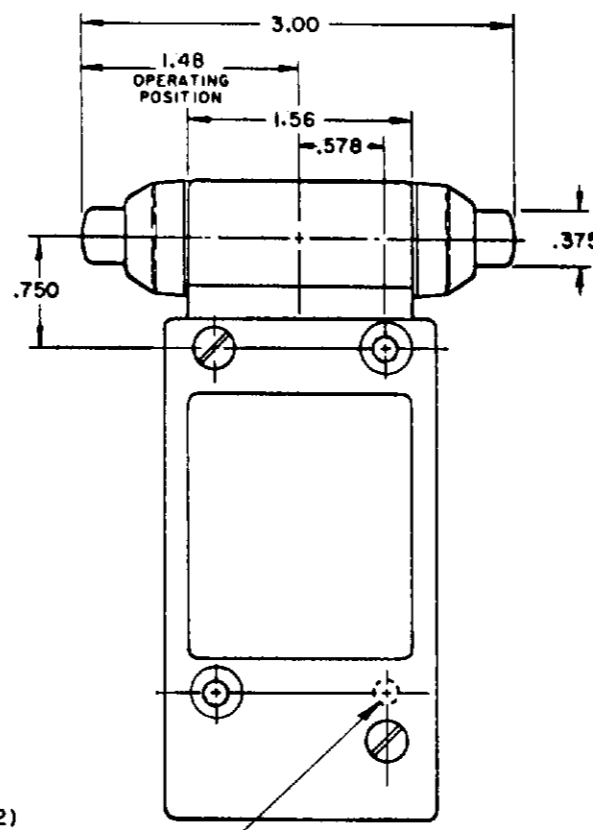
SCALE NONE
 DO NOT SCALE PRINT



10-32 UNF 28(2)
TAPPED FROM REAR ONLY
.500 MIN DEPTH

FLOUROSILICONE SEALS
LSYGB1 & LSYGB3

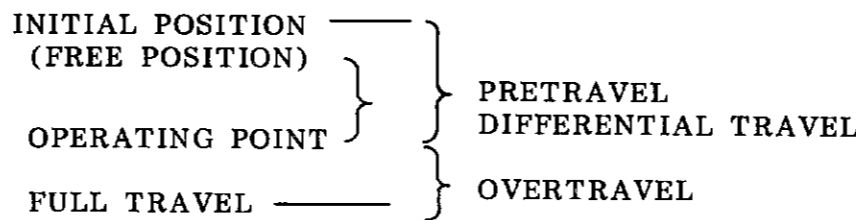
VITON SEALS
LSYGC1 & LSYGC3



10-32 UNF 28(2)
TAPPED FROM REAR ONLY
.310 MIN DEPTH

FLOUROSILICONE SEALS
LSYGB2 & LSYGB4, LSYGB6 & LSYGB7 HAVE 1/2 CONDUIT HOLE)

VITON SEALS
LSYGC2 & LSYGC4 (LSYGC6 &
LSYGC7 HAVE 1/2 CONDUIT HOLE)



OPERATING POINT GIVEN IN RELATION TO TOP MOUNTING HOLE **TOP PLUNGER TYPES**

CHARACTERISTICS	LSYC PLUNGER		LSYD ROLLER PLUNGER		LSYV ADJ PLUNGER		SEQUENCE BASIC		
	SINGLE POLE	DOUBLE POLE	SINGLE POLE	DOUBLE POLE	SINGLE POLE	DOUBLE POLE	LSYC	LSYD	LSYV
PRETRAVEL (MAX)	.070		.070		.070		1ST STEP .070		
DIFFERENTIAL TRAVEL (MAX)	.015	.020	.015	.020	.015	.020	2ND STEP .016 MIN ADD'L		
OVERTRAVEL (MIN)	.190		.190		.190		.170		
OPERATING FORCE (MAX)	4 LBS		4 LBS		4 LBS		4 LBS		
OPERATING POINT	1.805 ± .030		2.200 ± .040		2.085 MIN 2.335 MAX		1ST STEP 1.815±.030 2.210±.040 2.095 MIN / 2.345 MAX		
FULL OVERTRAVEL FORCE (MAX)	7 LBS		7 LBS		7 LBS		7 LBS		

OPERATING POINT GIVEN IN RELATION TO CENTER OF HEAD **SIDE PLUNGER TYPES**

CHARACTERISTICS	LSYE PLUNGER	LSYF ROLLER PLUNGER	LSYW ADJ PLUNGER	LSYG PLUNGER MAINTAINED	SEQUENCE BASIC		
					LSYE	LSYF	LSYW
PRETRAVEL (MAX)	.100	.100	.100	.170	1ST STEP .100		
DIFFERENTIAL TRAVEL (MAX)	.045	.045	.045	.090	2ND STEP .020 MIN ADD'L		
OVERTRAVEL (MIN)	.190	.190	.190	.080	.170		
OPERATING FORCE (MAX)	6 LBS	6 LBS	6 LBS	10 LBS	6 LBS		
OPERATING POINT	1.300 ± .030	1.735 ± .040	1.615 MIN 1.865 MAX	1.480 ± .030	1ST STEP 1.310±.030 1.745±.040 1.625 MIN / 1.875 MAX		
FULL OVERTRAVEL FORCE (MAX)	6 LBS	6 LBS	6 LBS	10 LBS	6 LBS		

MICRO SWITCH
A DIVISION OF HONEYWELL
FREEPORT ILLINOIS U.S.A.
REG. U.S. PAT. & TM. OFF.

SWITCH - ENCLOSED

LSY SERIES
CATALOG LISTING

CHART 1

THIRD ANGLE PROJECTION
SCALE NONE
DO NOT SCALE PRINT
TOLERANCES
DIMENSIONS ARE IN INCHES UNLESS OTHERWISE SPECIFIED
FRACTIONS SHALL BE SHOWN AS DECIMALS
DECIMALS SHALL BE SHOWN TO THREE DECIMALS UNLESS OTHERWISE SPECIFIED
DIMENSIONS SHALL BE SHOWN TO THREE DECIMALS UNLESS OTHERWISE SPECIFIED
WEIGHT

M LSY SERIES CHART 1
PAGE 6 OF 10

WOBBLE STICK

SINGLE POLE

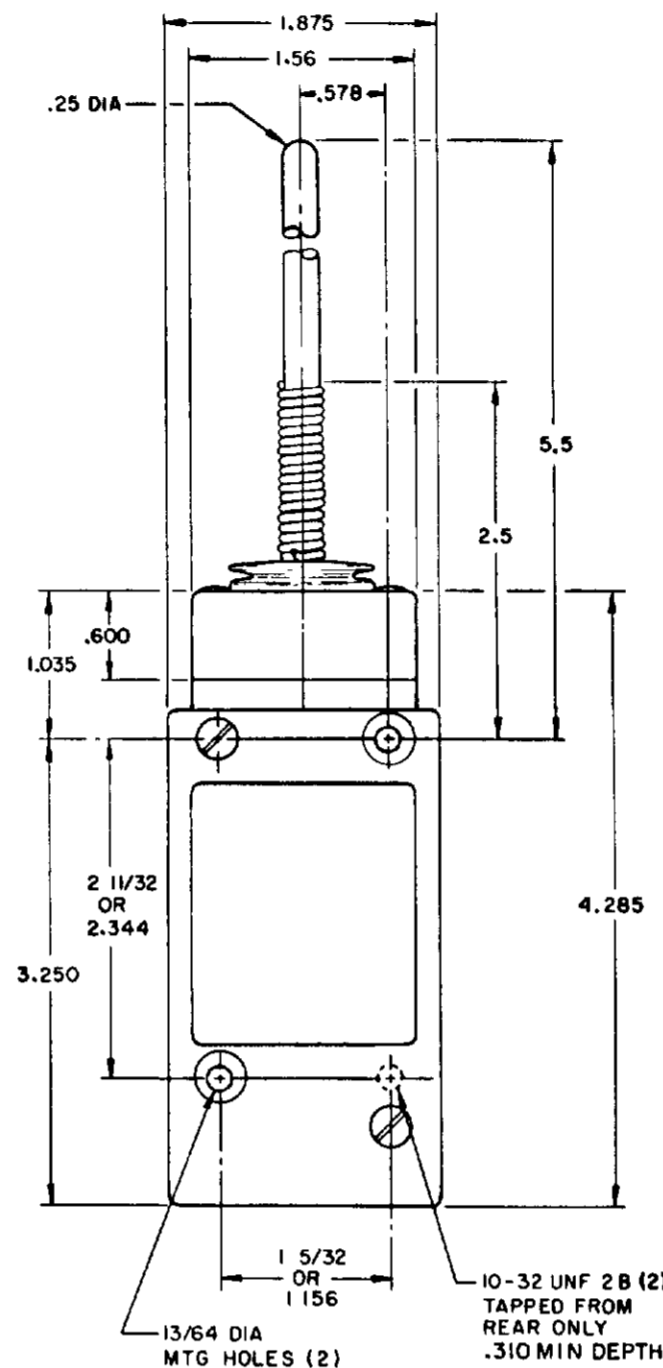
DOUBLE POLE



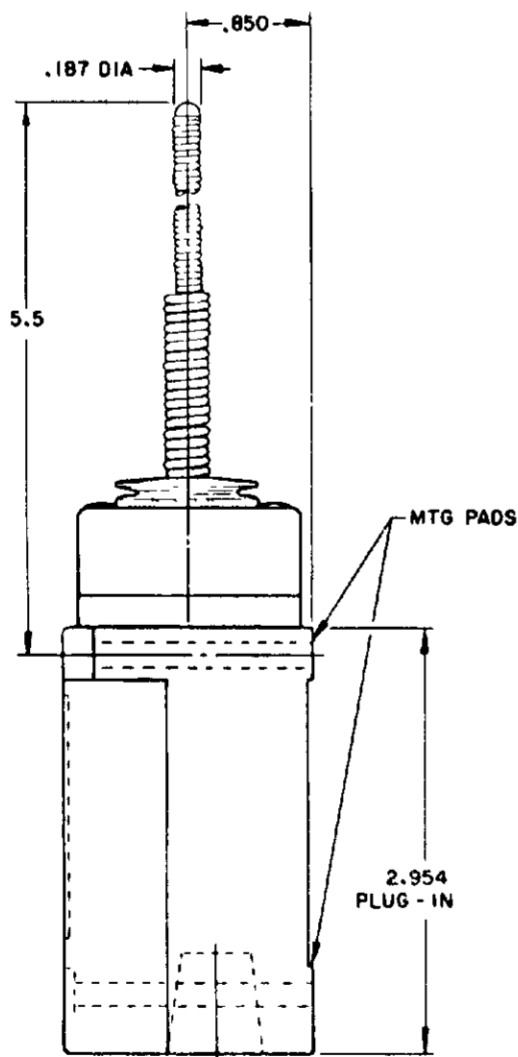
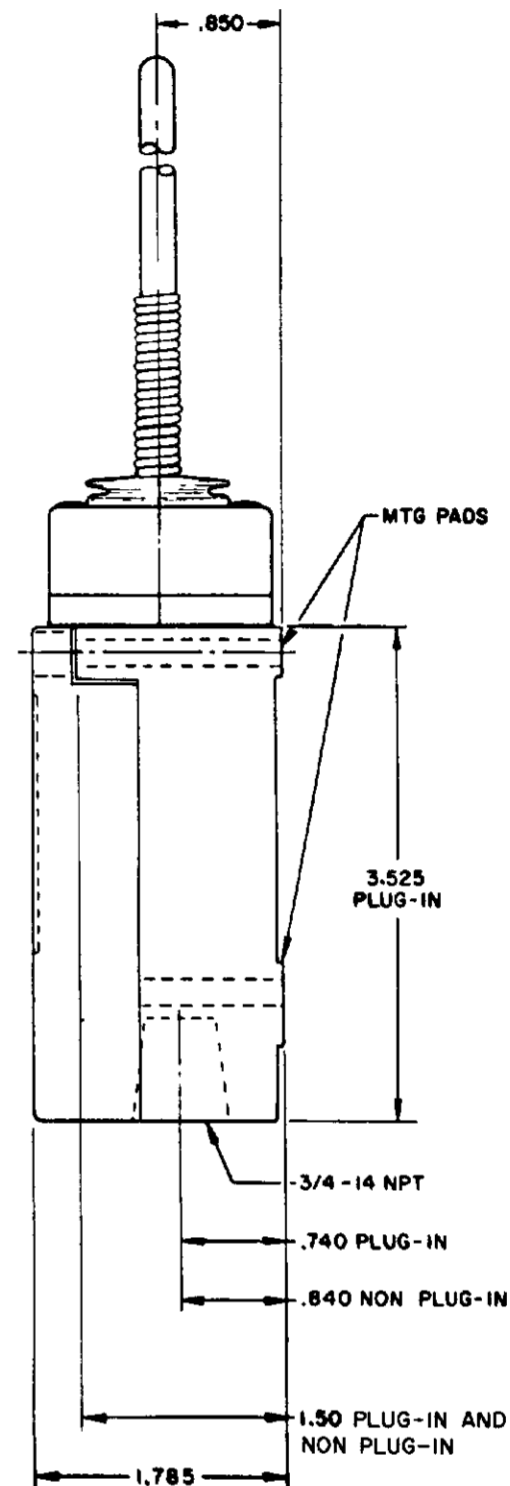
**PLASTIC EXTENSION
TYPE 7A ACTUATOR**



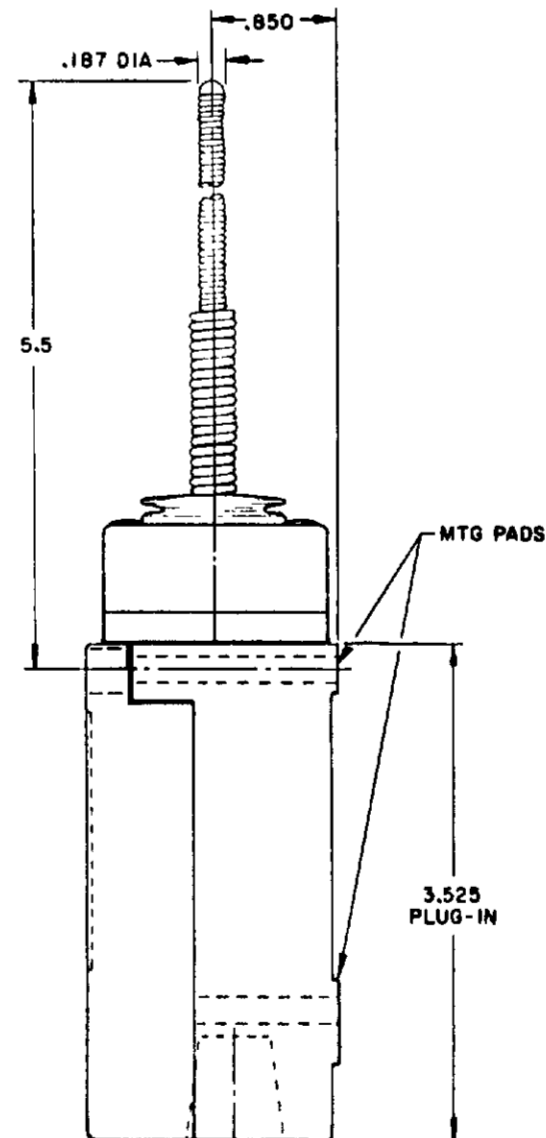
**REPLACEMENT ACTUATOR
LSZ 4009**



**PLASTIC EXTENSION
TYPE 7A ACTUATOR**

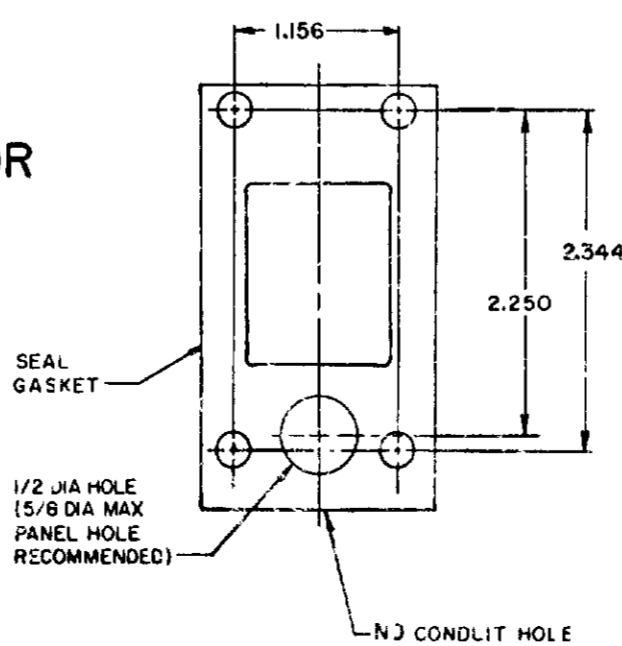


**CABLE EXTENSION
TYPE 7N ACTUATOR**



**CABLE EXTENSION
TYPE 7N ACTUATOR**

**REPLACEMENT ACTUATOR
LSZ 4011**



**MANIFOLD MOUNT (PLUG-IN ONLY)
SINGLE POLE AND DOUBLE POLE
TYPE LSYA THROUGH LSYW SERIES**

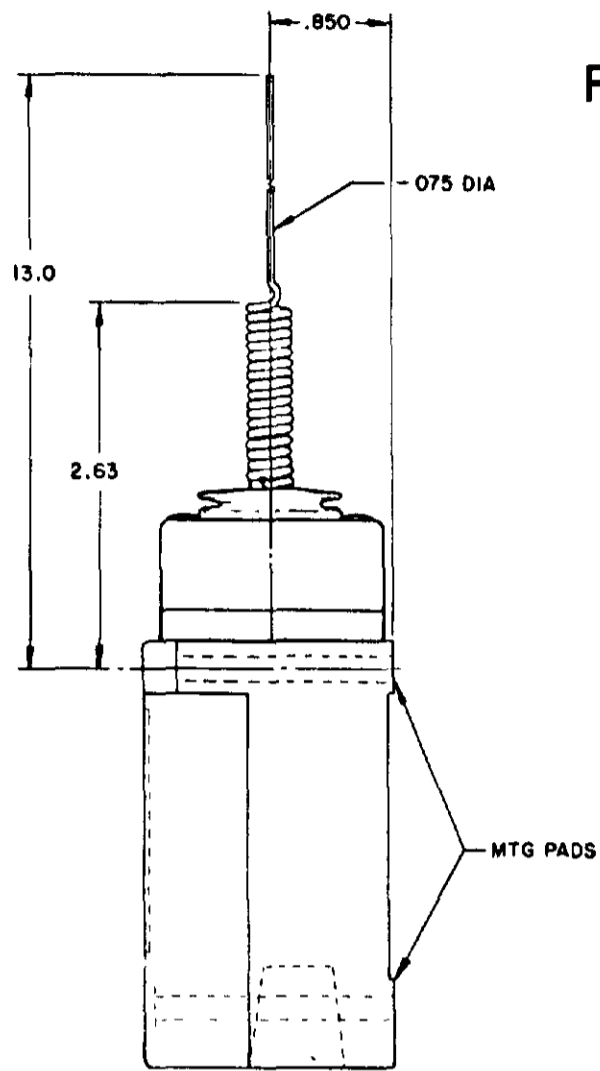
NOTES:
1 - ALL UNITS AVAILABLE WITH
FLUOROSILICONE AND VITON SEALS

SCALE NONE
DO NOT SCALE PRINT

MICRO SWITCH
FREEMONT ILLINOIS U.S.A.
A DIVISION OF HONEYWELL
780 MFG. CODE 8188

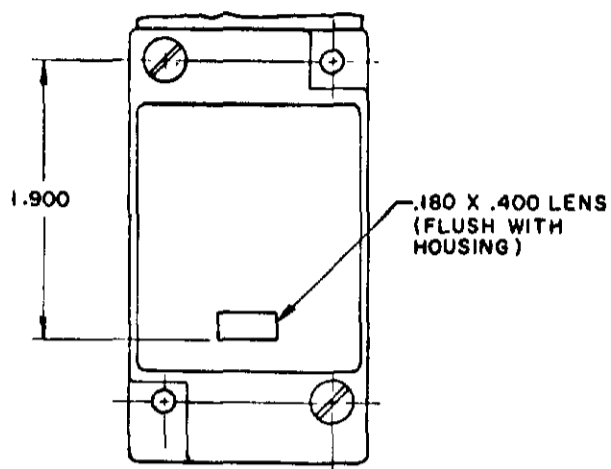
SWITCH-ENCLOSED

LSY SERIES
CATALOG LISTING
CHART 1

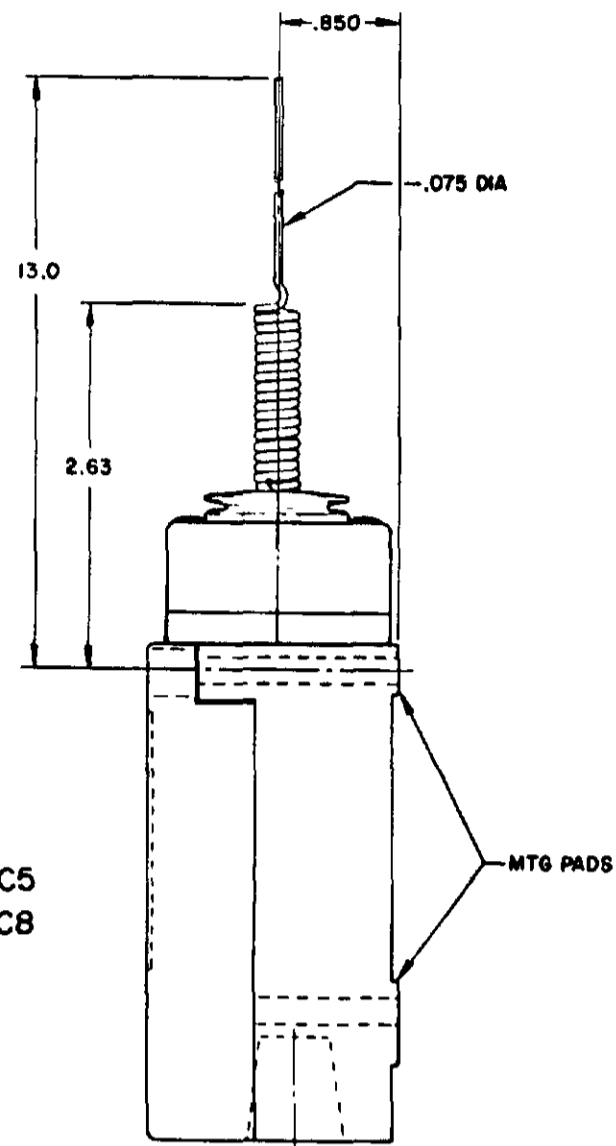


REPLACEMENT ACTUATOR LSZ4010

SINGLE POLE PLUG-IN ONLY
 WITH INDICATOR LAMP



120 LAMP VOLTAGE TYPE-LSYJB5 & LSYJC5
 240 LAMP VOLTAGE TYPE-LSYJB8 & LSYJC8



WIRE EXTENSION TYPE 7M ACTUATOR

FLOUROSILICONE SEALS
 LSYJBI & LSYJB3

VITON SEALS
 LSYJCI & LSYJC3

FLOUROSILICONE SEALS
 LSYJB2 & LSYJB4

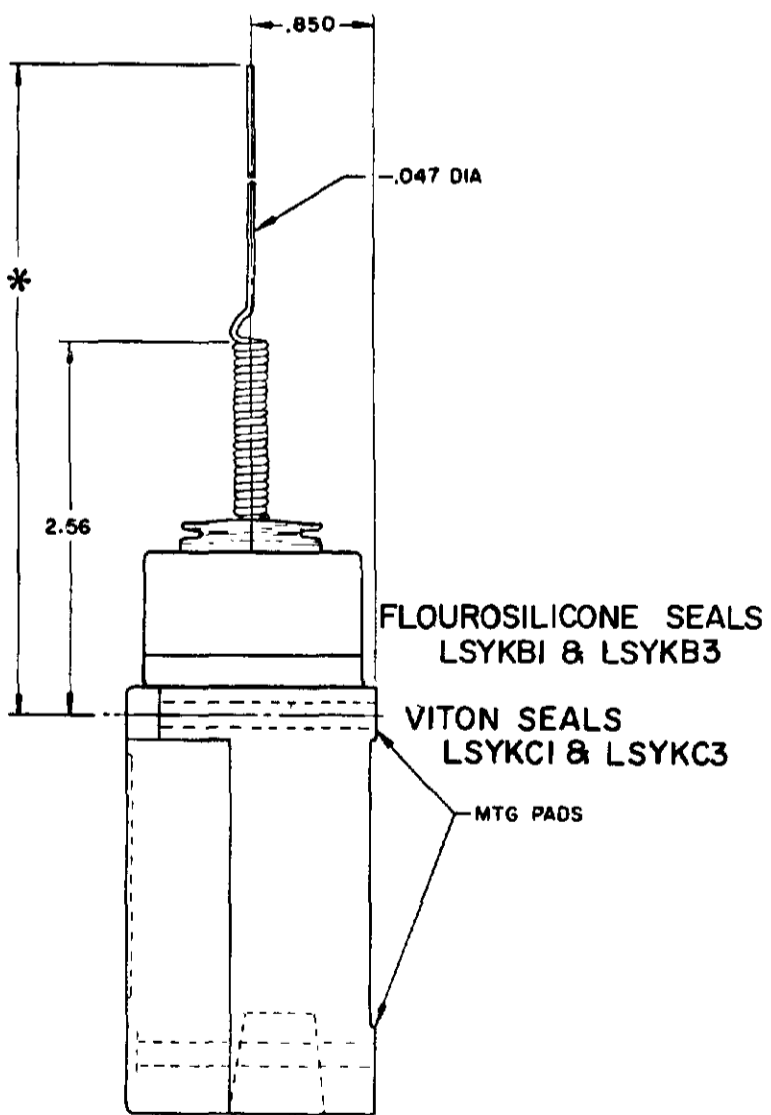
LSYJB6 & LSYJB7 HAVE 1/2-14 NPT CONDUIT HOLE

VITON SEALS LSYJC2 & LSYJC4
 LSYJC6 & LSYJC7 HAVE 1/2-14 NPT CONDUIT HOLE

REPLACEMENT ACTUATOR LSZ 4010

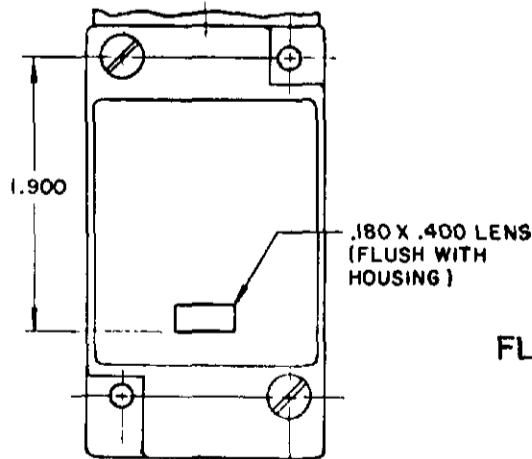
CAT WHISKER

SINGLE POLE



FLOUROSILICONE SEALS
 LSYKBI & LSYKB3
 VITON SEALS
 LSYKCI & LSYKC3

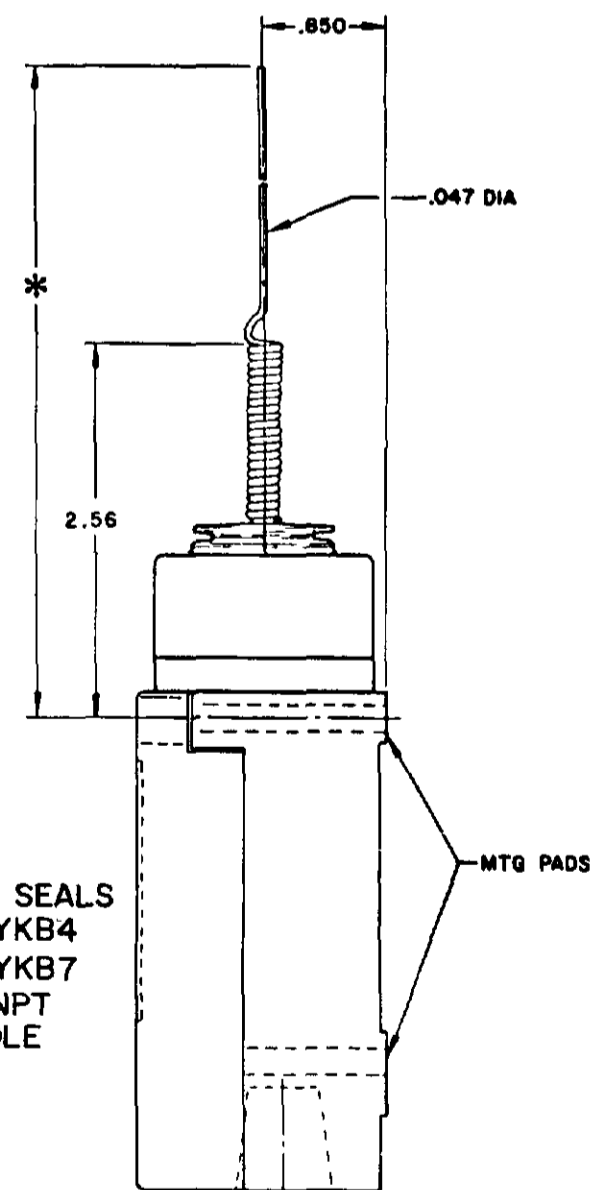
SINGLE POLE PLUG-IN ONLY
 WITH INDICATOR LAMP



FLOUROSILICONE SEALS
 120 LAMP VOLTAGE
 LSYKB5 CAT WHISKER LSYBB5 TOP ROTARY
 240 LAMP VOLTAGE
 LSYKB8 CAT WHISKER LSYBB8 TOP ROTARY

VITON SEALS
 120 LAMP VOLTAGE
 LSYKC5 CAT WHISKER LSYBC5 TOP ROTARY
 240 LAMP VOLTAGE
 LSYKC8 CAT WHISKER LSYBC8 TOP ROTARY

DOUBLE POLE



FLOUROSILICONE SEALS
 LSYKB2 & LSYKB4
 LSYKB6 & LSYKB7
 HAVE 1/2-14 NPT
 CONDUIT HOLE

WIRE EXTENSION REPLACEMENTS

*TYPE 8 A ACTUATOR 5.5 IN. - LSZ 4012
 TYPE 8 B ACTUATOR 7.5 IN. - LSZ 4013
 TYPE 8 C ACTUATOR 5.5 IN. - LSZ 4014

WIRE EXTENSION
 *TYPE 8 A ACTUATOR 5.5 IN.
 TYPE 8 B ACTUATOR 7.5 IN.
 TYPE 8 C COIL ACTUATOR 5.5 IN

PRETRAVEL (APPROX) IN. RADIUS	CAT WHISKER			WOBBLE STICK		
	5/12" COIL	5/12" WIRE	7/12" WIRE	ROD	CABLE	WIRE
	2	2	4.5	1.0	1.5	4.0
OPERATING FORCE-OZ (MAX)	7.0	5.0	3.0	10.0	7.0	5.0

NOTE-
 1 - ALL UNITS AVAILABLE WITH
 FLOUROSILICONE AND VITON SEALS

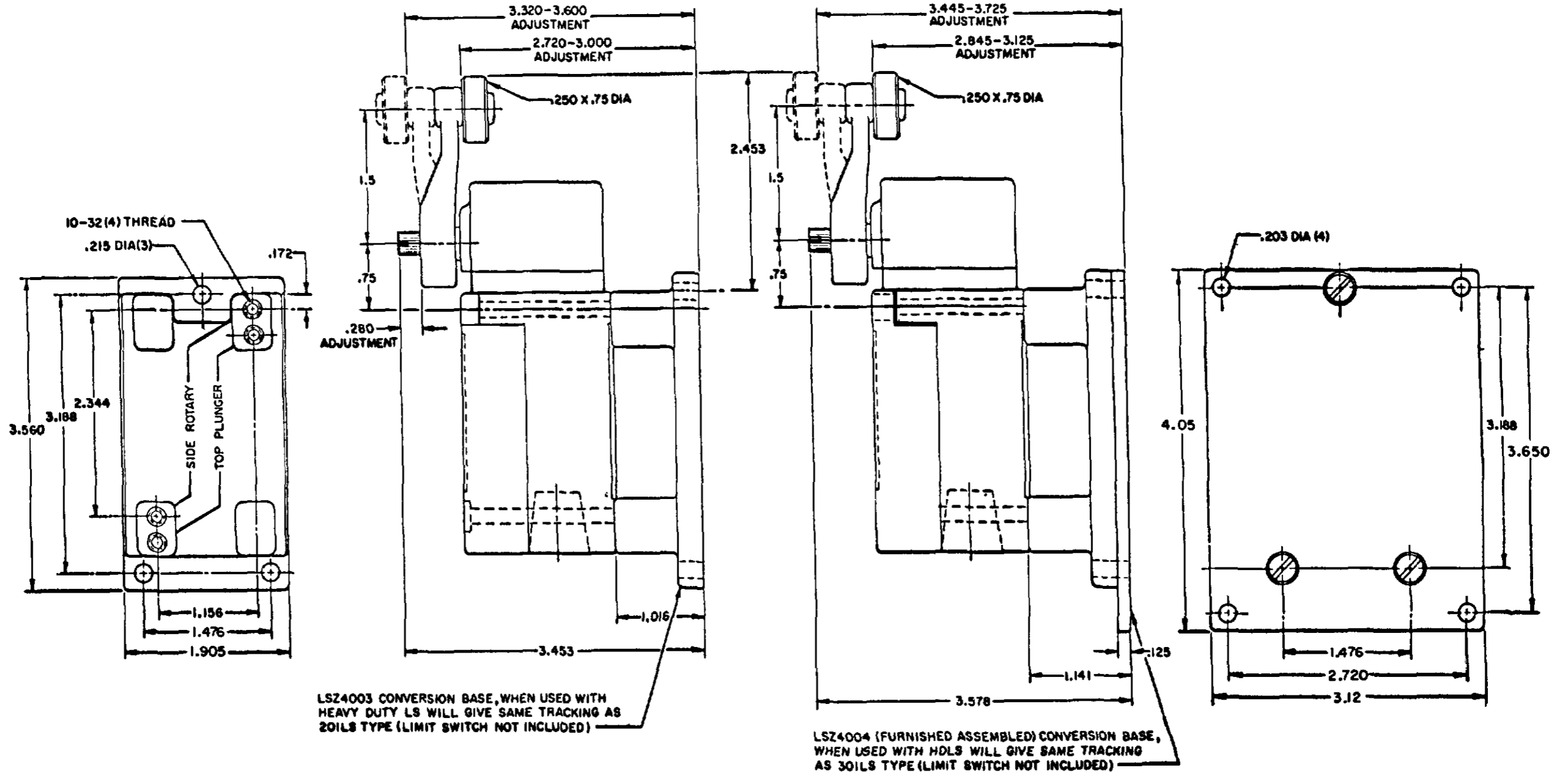
MICRO SWITCH
 THIS DRAWING COVERS A PROPRIETARY ITEM AND IS THE PROPERTY OF MICRO SWITCH A DIVISION OF HONEYWELL. THIS DRAWING IS NOT TO BE COPIED OR USED WITHOUT THE APPROVAL OF MICRO SWITCH.
 HONEYWELL INTERNATIONAL U.S.A.
 A DIVISION OF HONEYWELL
 REG. U.S. PAT. & TM. OFF.
SWITCH - ENCLOSED
 LSY SERIES
 CHART 1

SCALE NONE
 DO NOT SCALE PRINT

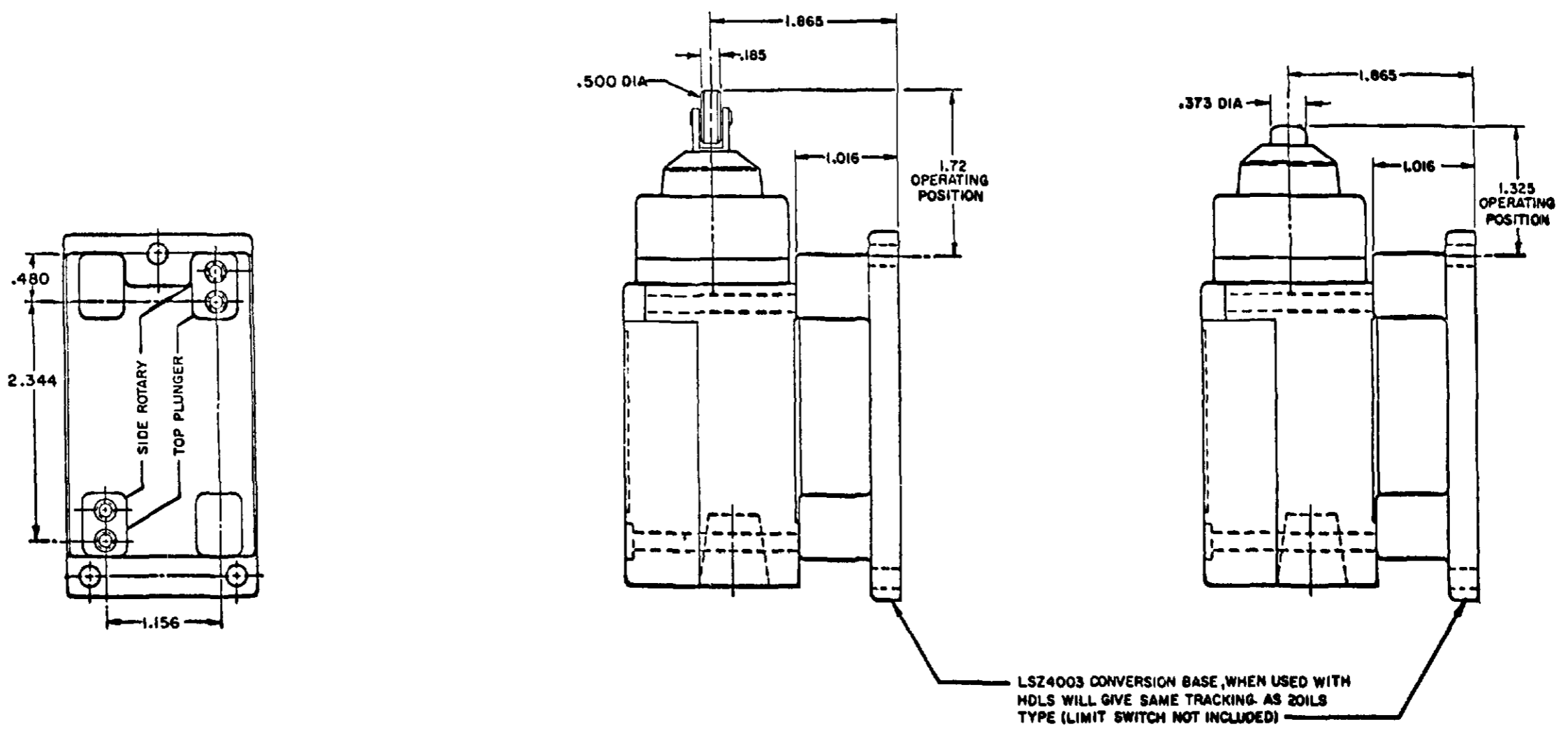
CONVERSION BASES

SINGLE POLE (SIDE ROTARY) LSZ 4003

DOUBLE POLE (SIDE ROTARY) LSZ4004



SINGLE POLE TOP PLUNGER LSZ4003



MICRO SWITCH
 A DIVISION OF HONEYWELL
 PREPARED IN ILLINOIS U.S.A.
 740 WFS CODE 8188

SWITCH - ENCLOSED

LSY SERIES
 CHART 1

SCALE FULL
 DO NOT SCALE PRINT

TEMPERATURE LIMITATIONS FOR
DEVICES WITH FLUORSILICONE (LSYAB**) AND VITON (LSYAC**) SEALS

ALL HEAD TYPES WITH SEALS OF

	3	1	1	1	1	1	2	2	4	1	1	1	1	1	1	1	1	2	1	4	4	1	1	1
FLUOR-SILICONE	1	4	1	1	1	1	1	2	2	4	1	1	1	1	1	1	1	2	1	4	4	1	1	1
VITON	2	1	1	1	1	1	1	1	1	1	1	1	1	1	1	1	1	1	1	1	1	1	1	1

CODE: 1 SATISFACTORY 2 FAIR 3 DOUBTFUL 4 UNSATISFACTORY

- 1 FLUORSILICONE SEAL (LSYAB**) FOR LOW TEMPERATURE APPLICATIONS
- 2 VITON SEALS (LSYAC**) FOR FIRE-RESISTANT FLUIDS
- 3 ALL EXCEPT A60

	LOW LIMIT	HIGH LIMIT
LSYAB	-40° F	+250° F
LSYAC	+10° F	+250° F
LSYBB	-20° F	+250° F
LSYBC	+30° F	+250° F
LSYCB	-40° F	+200° F
LSYCC	+10° F	+250° F
LSYDB	-40° F	+200° F
LSYDC	+10° F	+250° F
LSYEB	-40° F	+200° F
LSYEC	+10° F	+250° F
LSYFB	-40° F	+200° F
LSYFC	+10° F	+250° F
LSYGB	-20° F	+200° F
LSYGC	+30° F	+250° F
LSYHB	-20° F	+250° F
LSYHC	+30° F	+250° F
LSYJB	-40° F	+250° F
LSYJC	+30° F	+250° F
LSYKB	-20° F	+250° F
LSYKC	+30° F	+250° F
LSYLB	-40° F	+250° F
LSYLC	+10° F	+250° F
LSYMB	-40° F	+250° F
LSYMC	+10° F	+250° F
LSYNB	-20° F	+250° F
LSYNC	+30° F	+250° F
LSYPB	-40° F	+250° F
LSYPC	+10° F	+250° F
LSYRB	-20° F	+250° F
LSYRC	+30° F	+250° F
LSYVB	-40° F	+200° F
LSYVC	+10° F	+250° F
LSYWB	-40° F	+200° F
LSYWC	+10° F	+250° F

SCALE	
DO NOT SCALE PRINT	
DIMENSIONS UNLESS OTHERWISE NOTED	
DIMENSIONS AND TOLERANCES UNLESS SPECIFIED ARE IN INCHES	
TOLERANCES ARE:	
Ø	±0.005
FINISH	0.0005
FINISH	0.0005
FINISH	0.0005
FINISH	0.0005
FINISH	0.0005

THIS DRAWING COVERS A PROPRIETARY ITEM AND IS THE PROPERTY OF MICRO SWITCH A DIVISION OF HONEYWELL THIS DRAWING IS NOT TO BE COPIED OR USED WITHOUT THE APPROVAL OF MICRO SWITCH

MICRO SWITCH FREEPORT ILLINOIS U.S.A. A DIVISION OF HONEYWELL FED MFG CODE 91929	SWITCH - ENCLOSED	CATALOG LISTING LSY SERIES CHART 1
--	--------------------------	--

ISSUE 7
 PSR
 CHECK 19APR05
 12 SEP 94
 JAF
 10JUL07
 RELEASE NO CO-78499
 REPLACES LSY SERIES
 CATALOG LISTING
LSY SERIES CHART 1
 PAGE 10 OF 10

REV.	DATE	BY	CHK	DESCRIPTION
A	10 JAN 00			
B	200704			
C	200853			
D	202198			
E	0012601			
F	10031956			



Компания «ЭлектроПласт» предлагает заключение долгосрочных отношений при поставках импортных электронных компонентов на взаимовыгодных условиях!

Наши преимущества:

- Оперативные поставки широкого спектра электронных компонентов отечественного и импортного производства напрямую от производителей и с крупнейших мировых складов;
- Поставка более 17-ти миллионов наименований электронных компонентов;
- Поставка сложных, дефицитных, либо снятых с производства позиций;
- Оперативные сроки поставки под заказ (от 5 рабочих дней);
- Экспресс доставка в любую точку России;
- Техническая поддержка проекта, помощь в подборе аналогов, поставка прототипов;
- Система менеджмента качества сертифицирована по Международному стандарту ISO 9001;
- Лицензия ФСБ на осуществление работ с использованием сведений, составляющих государственную тайну;
- Поставка специализированных компонентов (Xilinx, Altera, Analog Devices, Intersil, Interpoint, Microsemi, Aeroflex, Peregrine, Syfer, Eurofarad, Texas Instrument, Miteq, Cobham, E2V, MA-COM, Hittite, Mini-Circuits, General Dynamics и др.);

Помимо этого, одним из направлений компании «ЭлектроПласт» является направление «Источники питания». Мы предлагаем Вам помощь Конструкторского отдела:

- Подбор оптимального решения, техническое обоснование при выборе компонента;
- Подбор аналогов;
- Консультации по применению компонента;
- Поставка образцов и прототипов;
- Техническая поддержка проекта;
- Защита от снятия компонента с производства.



Как с нами связаться

Телефон: 8 (812) 309 58 32 (многоканальный)

Факс: 8 (812) 320-02-42

Электронная почта: org@eplast1.ru

Адрес: 198099, г. Санкт-Петербург, ул. Калинина, дом 2, корпус 4, литера А.