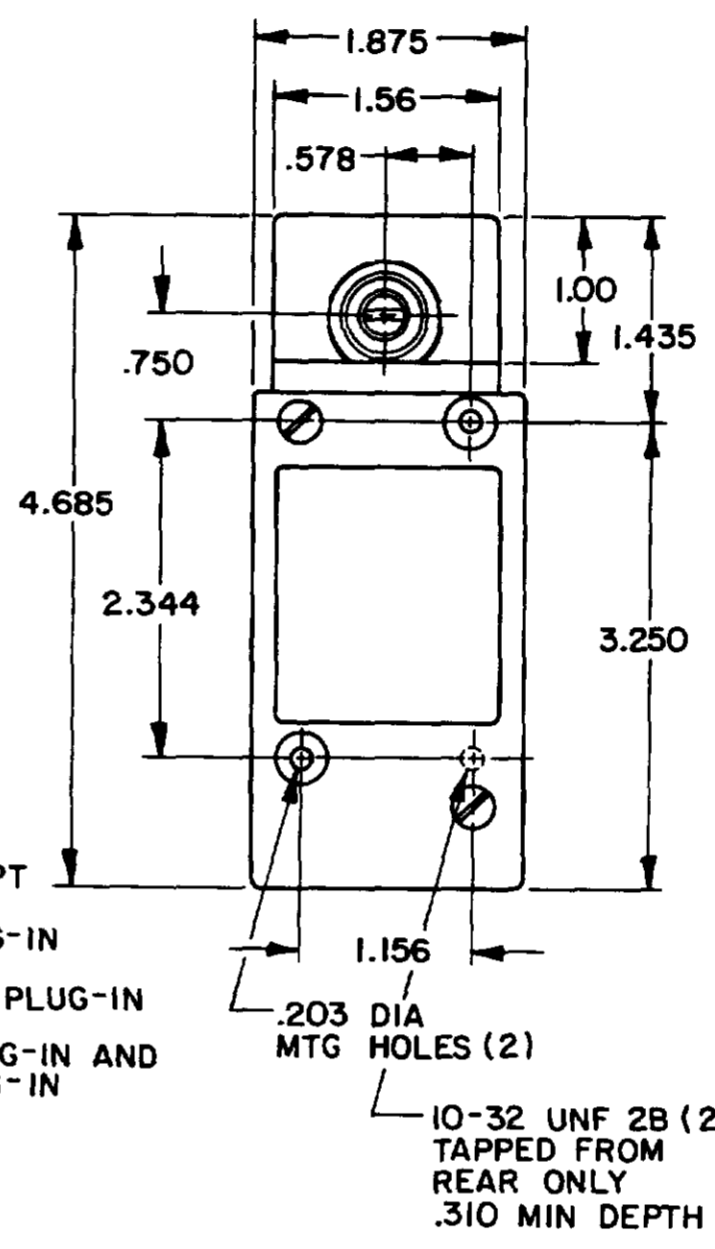
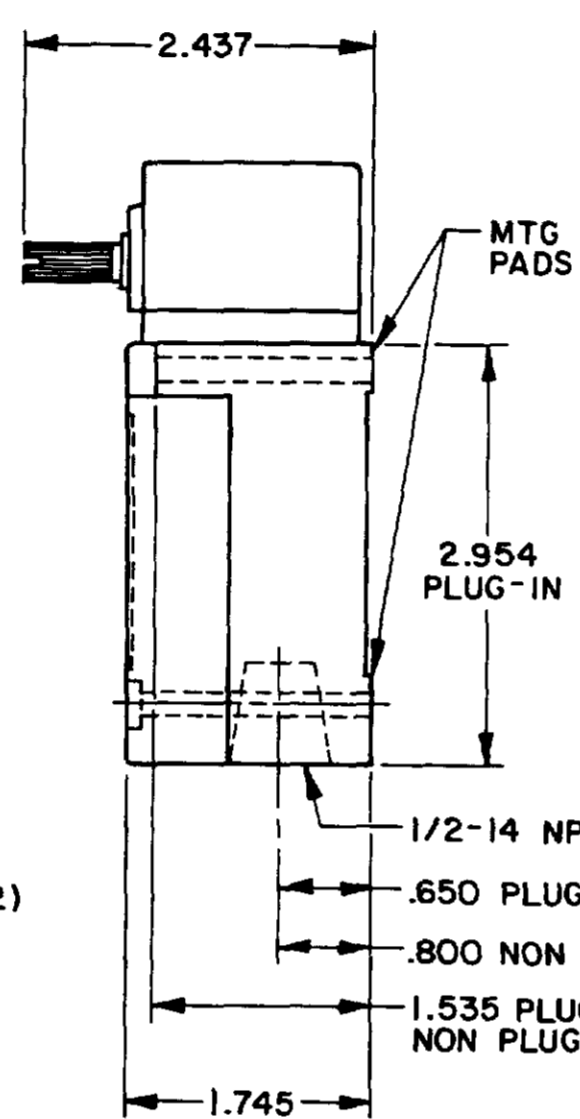
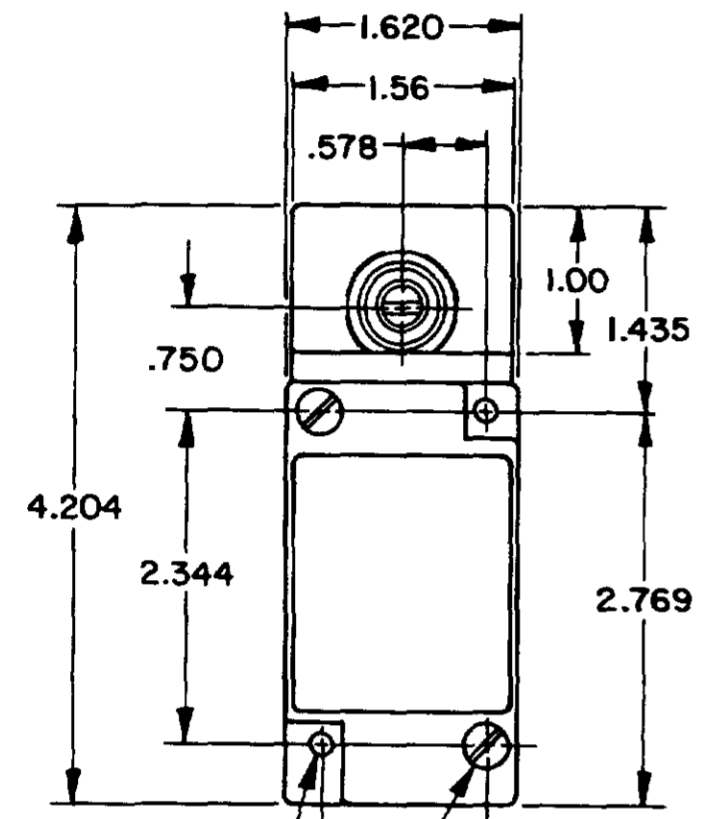


OPERATING CHARACTERISTICS	LSYA		LSYR		LSYN	LSYP		LSYH		LSYL	LSYM	LSYS	LSYU
	MOMENTARY		MOMENTARY LOW TORQUE		MAINTAINED	MOMENTARY LOW PRETRAVEL AND DIFF. TRAVEL		MOMENTARY LOW PRETRAVEL AND LOW TORQUE		SEQUENCE DOUBLE POLE ONLY	CENTER NEUTRAL DOUBLE POLE ONLY	GRAVITY RETURN	LOW PRETRAVEL
PRETRAVEL(MAX)	15°		15°		65°	9°		9°		1ST STEP 15° 2ND STEP 10° ADD'L	18°	NOT APPLICABLE	5°
OVERTRAVEL(MIN)	60°		60°		20°	68°		68°		48°	57°	NOT APPLICABLE	70°
DIFFERENTIAL TRAVEL(MAX)	SINGLE POLE 5°	DOUBLE POLE 7°	SINGLE POLE 5°	DOUBLE POLE 7°	40°	SINGLE POLE 3°	DOUBLE POLE 4°	SINGLE POLE 3°	DOUBLE POLE 4°	5°	10°	12°	SGL POLE 3° DBL POLE 4°
TOTAL TRAVEL (REF)	75°		75°		90°	75°		75°		75°	75°	360°	75°
OPERATING TORQUE(MAX)	4 IN. LBS		1.7 IN. LBS		4 IN. LBS	4 IN. LBS		1.7 IN. LBS		4 IN. LBS	4 IN. LBS	5 IN-OZ	4 IN. LBS
FULL TRAVEL TORQUE(MAX)	4 IN. LBS		1.7 IN. LBS			4 IN. LBS		1.7 IN. LBS		4 IN. LBS	4 IN. LBS	5 IN-OZ	4 IN. LBS

## SIDE ROTARY

### SINGLE POLE

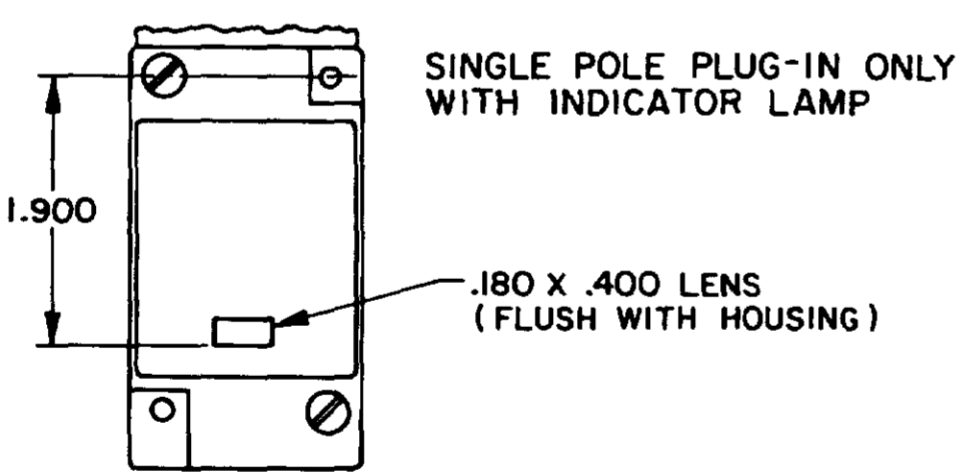
### DOUBLE POLE



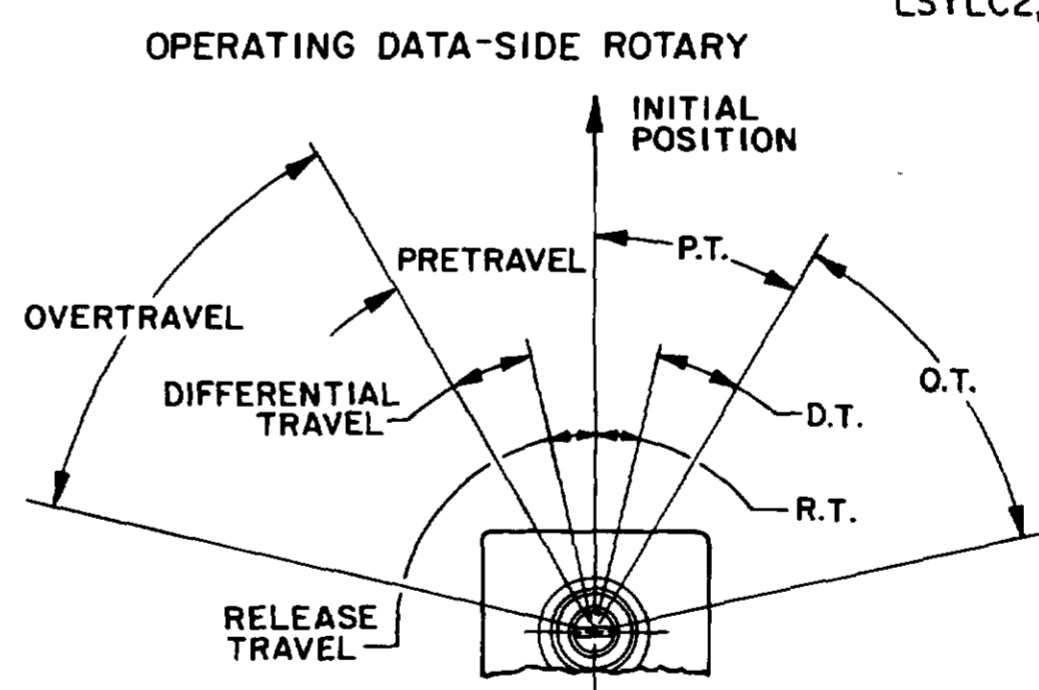
FLOUROSILICONE SEALS: LSYABI, LSYHBI, LSYNBI, LSYBBI, LSYRBI, LSYHB3, LSYPB3, LSYRB3, LSYSB1  
 VITON: LSYAC1, LSYHCI, LSYNC1, LSYPC1, LSYRC1, LSYAC3, LSYHC3, LSYNC3, LSYPC3, LSYRC3, LSYSC1

FLOUROSILICONE SEALS: LSYAB2, LSYHB2, LSYMB2, LSYNB2, LSYPB2, LSYRB2, LSYAB4, LSYHB4, LSYMB4, LSYNB4, LSYPB4, LSYRB4  
 \* (LSYAB6, LSYHB6, LSYMB6, LSYNB6, LSYPB6, LSYRB6, LSYAB7, LSYHB7, LSYMB7, LSYNB7, LSYPB7, LSYRB7 HAVE 1/2-14 CONDUIT HOLE)

VITON SEALS: LSYAC2, LSYHC2, LSYNC2, LSYPC2, LSYRC2, LSYAC4, LSYHC4, LSYNC4, LSYPC4, LSYRC4, LSYMC2, LSYMC4, LSYMC6, LSYMC7, LSYLC2, LSYLC4, LSYLC6, LSYLC7

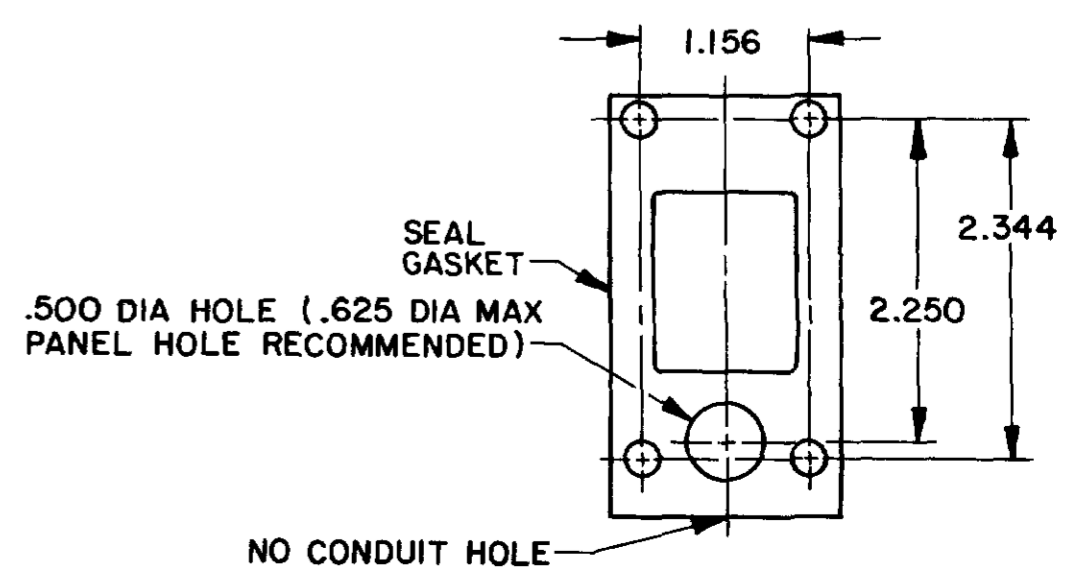


120 LAMP VOLTAGE -  
 TYPE LSYAB5, LSYHB5, LSYNB5, LSYPB5, LSYRB5, LSYAC5, LSYHC5, LSYNC5, LSYPC5, LSYRC5  
 240 LAMP VOLTAGE -  
 TYPE LSYAB8, LSYHB8, LSYNB8, LSYPB8, LSYRB8, LSYAC8, LSYHC8, LSYNC8, LSYPC8, LSYRC8



NOTE  
 1 - ALL UNITS AVAILABLE WITH FLUOROSILICONE AND VITON SEALS

MANIFOLD MOUNT (PLUG-IN ONLY)  
 SINGLE POLE AND DOUBLE POLE  
 TYPE LSYA THROUGH LSYW SERIES



**MICRO SWITCH**  
 THIS DRAWING COVERS A PROPRIETARY ITEM AND IS THE PROPERTY OF MICRO SWITCH, A DIVISION OF FREEPORT ELECTRONICS U.S.A. A DIVISION OF HONEYWELL. IT IS NOT TO BE COPIED OR USED WITHOUT THE APPROVAL OF MICRO SWITCH.  
 REG. U.S. PAT. & TM. OFF. © 1994

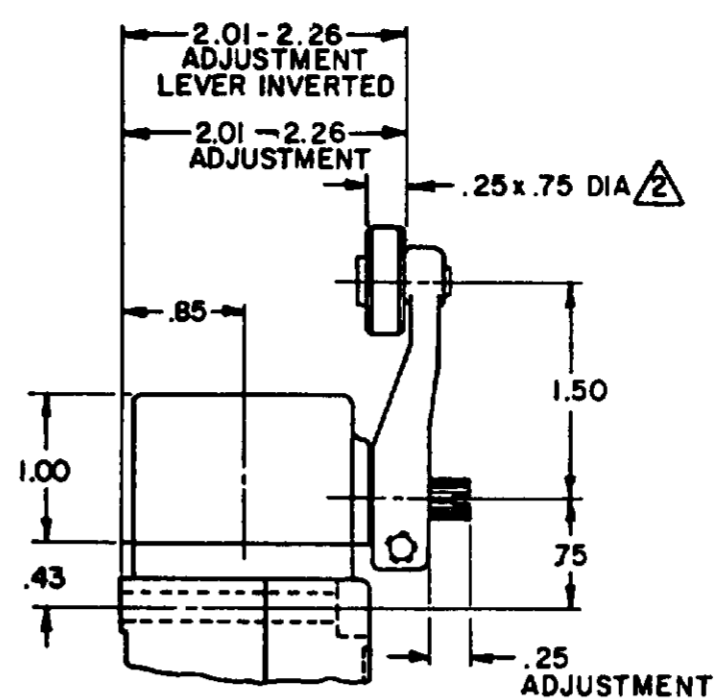
**SWITCH-ENCLOSED**

**LSY SERIES**  
 CATALOG LISTING  
 CHART 1

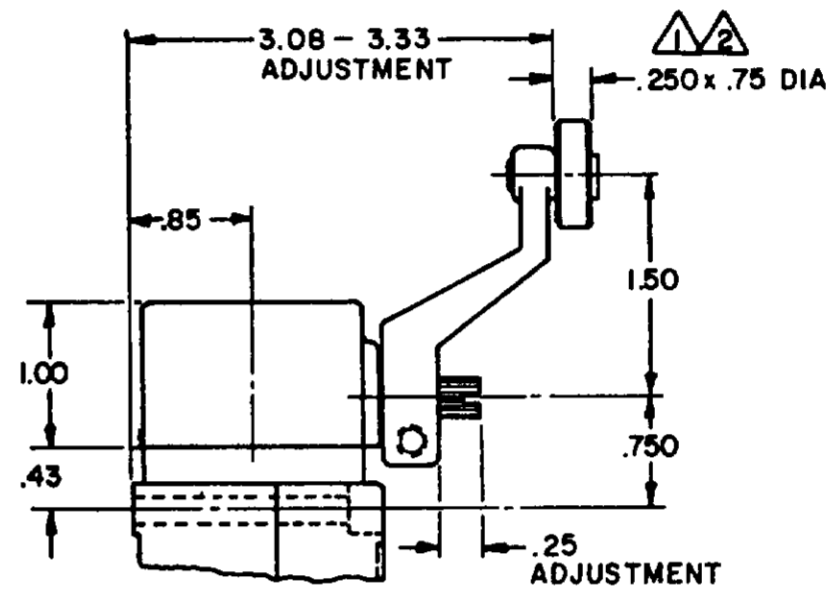
DESIGN UNIT: 1.000  
 NO. OF PLACES: 1  
 NO. OF SWITCHES: 1  
 NO. OF CONTACTS: 1  
 NO. OF TERMINALS: 2  
 NO. OF LEADS: 2  
 NO. OF WIRE GAUGES: 22  
 NO. OF WIRE TYPES: 22  
 NO. OF WIRE COLORS: 22  
 NO. OF WIRE LENGTHS: 22  
 NO. OF WIRE WEIGHTS: 22  
 NO. OF WIRE DIAMETERS: 22  
 NO. OF WIRE CROSS SECTIONS: 22  
 NO. OF WIRE MATERIALS: 22  
 NO. OF WIRE TYPES: 22  
 NO. OF WIRE WEIGHTS: 22  
 NO. OF WIRE DIAMETERS: 22  
 NO. OF WIRE CROSS SECTIONS: 22  
 NO. OF WIRE MATERIALS: 22

SCALE: NONE  
 TOLERANCES: NONE  
 THIRD ANGLE PROJECTION  
 DO NOT SCALE PRINT

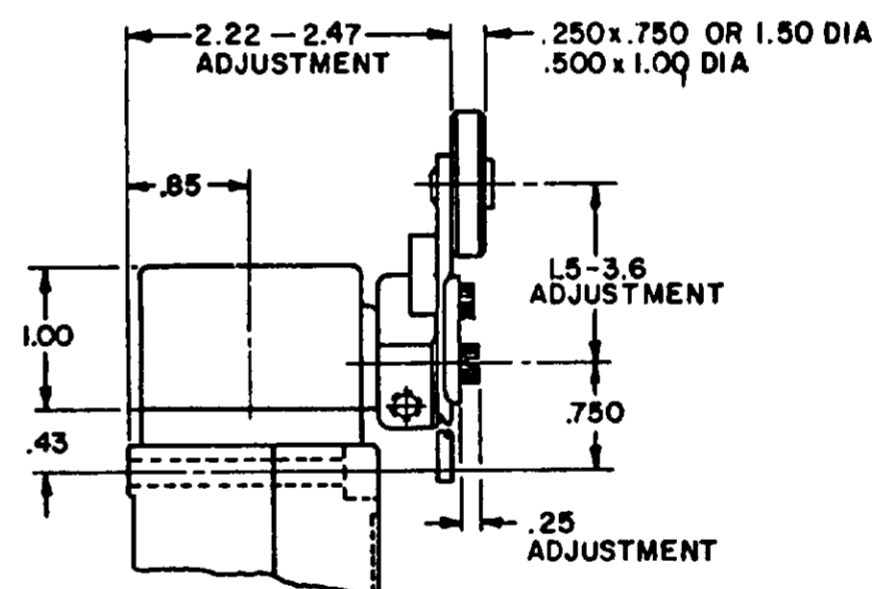
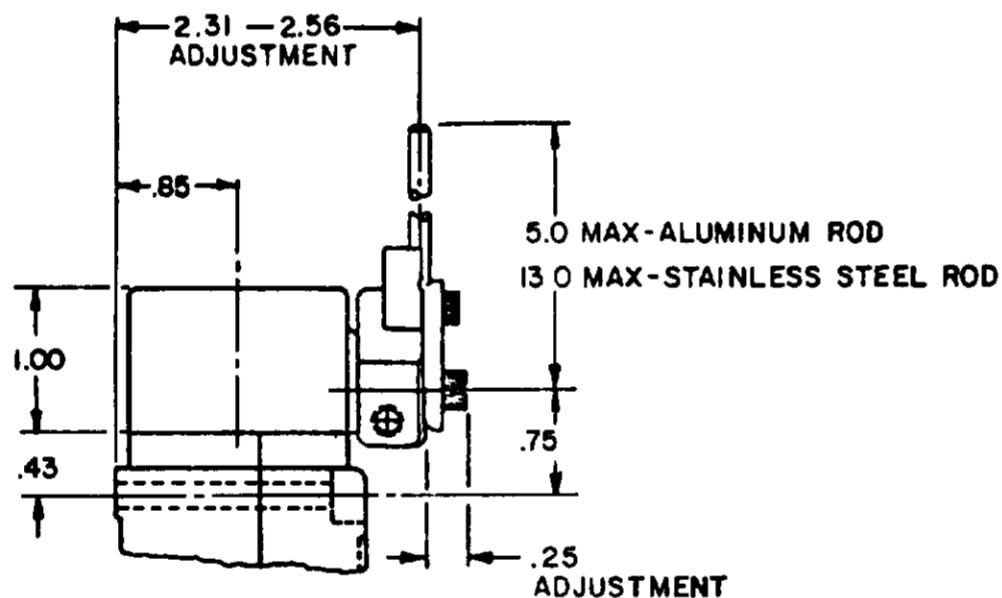
### SIDE ROTARY CAM TRACKING



LSZ51 TYPE LEVERS

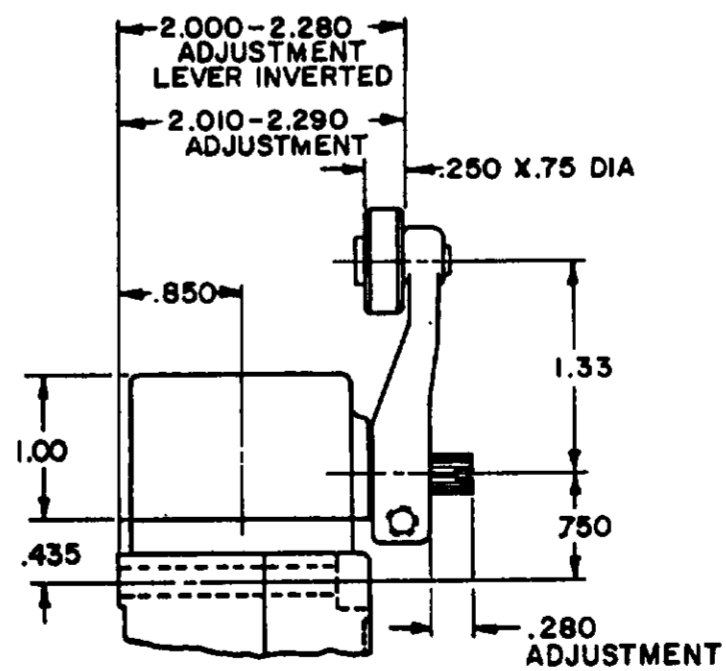
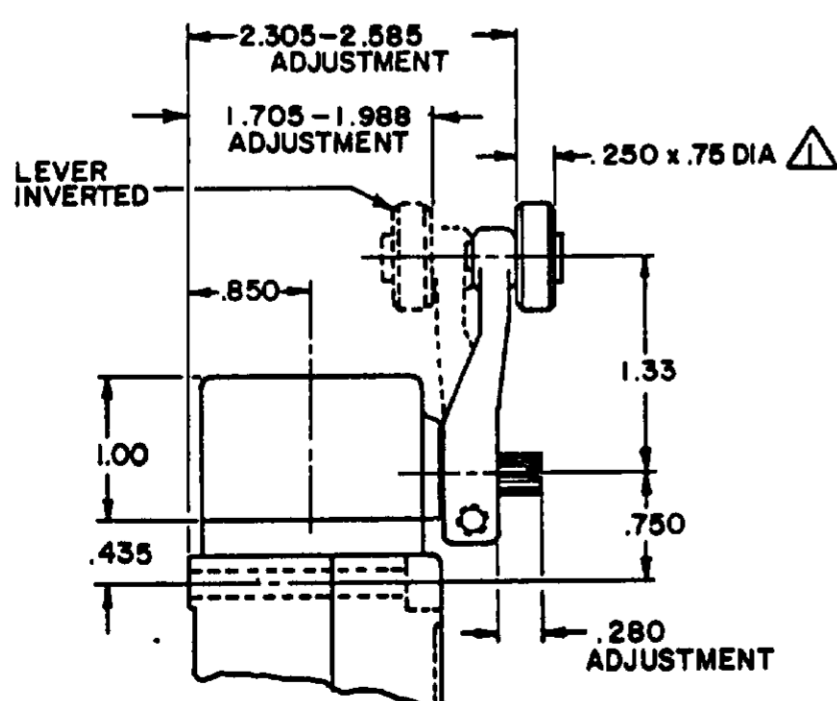


LSZ55 TYPE LEVERS



LSZ54 TYPE LEVER

LSZ52 TYPE LEVER



LSZ59 TYPE LEVERS

NOTES

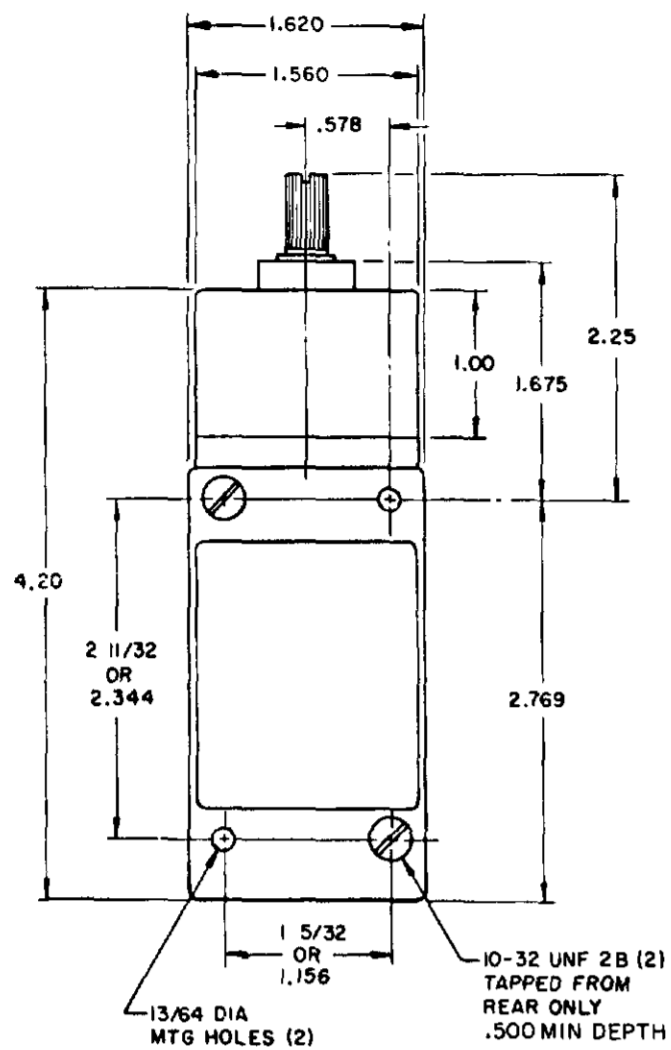
- ▲ ALSO AVAILABLE IN .250 X 1.500 DIA NYLON, BUT LEVER CANNOT BE INVERTED
- ▲ FOR ADDITIONAL ROLLER WIDTHS AND/OR DIAMETERS REFER TO (M)
- 3 - FOR ADDITIONAL TYPES OF ROLLERS AND LEVERS REFER TO LSZ CHART 1 (M)

MICRO SWITCH  
 Honeywell Division  
 THIS DRAWING COVERS A PROPRIETARY ITEM AND IS THE PROPERTY OF MICRO SWITCH A DIVISION OF HONEYWELL. THIS DRAWING IS NOT TO BE COPIED OR USED WITHOUT THE APPROVAL OF MICRO SWITCH.

WEIGHT	SCALE NONE	THIRD ANGLE PROJECTION
DO NOT SCALE PRINT	UNLESS OTHERWISE SPECIFIED TOLERANCES ARE	
	ONE PLACE (.0)	± .030
	TWO PLACE (.00)	± .015
	THREE PLACE (.000)	± .005
	ANGLES	±

# TOP ROTARY

## SINGLE POLE



FLOUROSILICONE SEALS  
LSYBBI & LSYBB3

VITON SEALS  
LSYBCI & LSYBC3



## DOUBLE POLE



FLOUROSILICONE SEALS  
LSYBB2 & LSYBB4  
LSYBB6 & LSYBB7 HAVE 1/2-14NPT  
CONDUIT HOLE

VITON SEALS  
LSYBC2 & LSYBC4, LSYBC6 & LSYBC7  
HAVE 1/2-14NPT CONDUIT HOLE

PRETRAVEL MAX	SINGLE POLE 25°	DOUBLE POLE 25°
OVERTRAVEL MIN	110°	110°
DIFFERENTIAL TRAVEL MAX	10°	12°
OPERATING TORQUE MAX	2.5 IN. LBS	2.5 IN. LBS
TOTAL TRAVEL (REF)	135°	135°

### ELECTRICAL RATINGS

10 AMP CONT.

A.C. VOLTAGE	AMPS AT .35 POWER FACTOR			
	SINGL. POL.		DOUBL. POL.	
	MAKE	BREAK	MAKE	BREAK
120	60	6	10	3
240	30	3	15	1.5
480	15	1.5	7.5	.75
600	12	1.2	6	.6

D.C. VOLTAGE	MAKE & BREAK INDUCTIVE	RESISTIVE
120	0.25	0.80
240	0.15	0.40

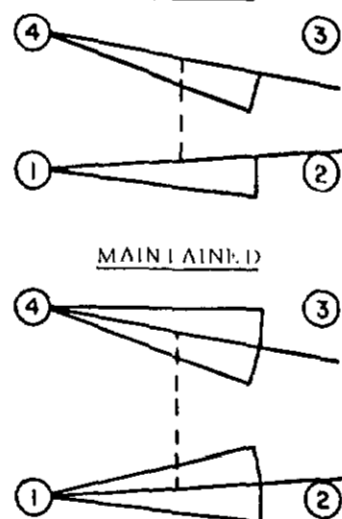
ELECTRONIC DUTY BASIC SWITCH  
10 AMP CONT.

VOLTAGE	MAKE AND BREAK AMPS
5 AC OR DC MIN	.01 AMP MIN
600 AC	720 VA
240 DC	30 WATT

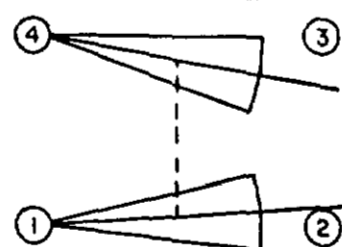
### WIRING BASIC SWITCH (SAME POLARITY MUST BE OBSERVED FOR EACH POLE)

#### SINGLE POLE

##### MOMENTARY



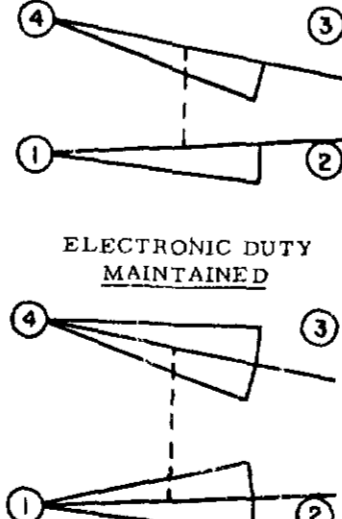
##### MAINTAINED



#### SINGLE POLE

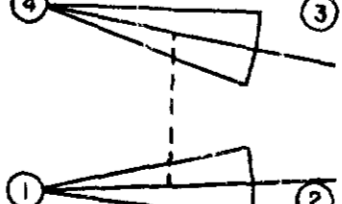
##### ELECTRONIC DUTY

##### MOMENTARY

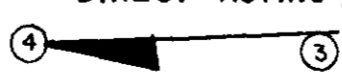


##### ELECTRONIC DUTY

##### MAINTAINED

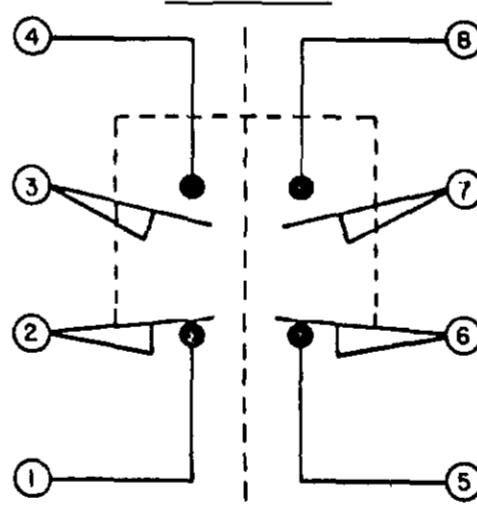


#### DIRECT ACTING

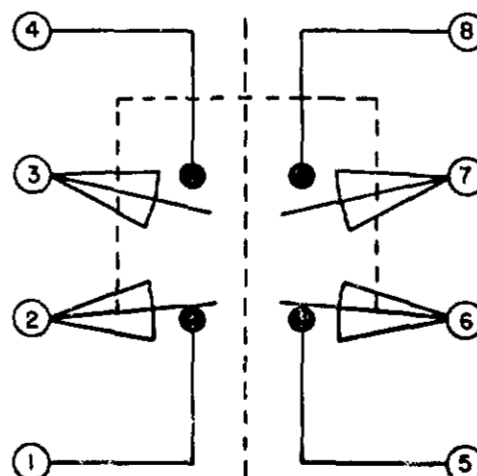


#### DOUBLE POLE

##### MOMENTARY



##### MAINTAINED



#### DIRECT ACTING (ALSO RATED AT A.C. 10 AMP CONT.)

D.C. VOLTAGE	MAKE AND BREAK AMPS	
	INDUCTIVE	RESISTIVE
30	4.2	4.2
120	1.1	1.1
240	.55	.55

NOTES:  
1 - ALL UNITS AVAILABLE WITH  
FLOUROSILICONE AND VITON SEALS

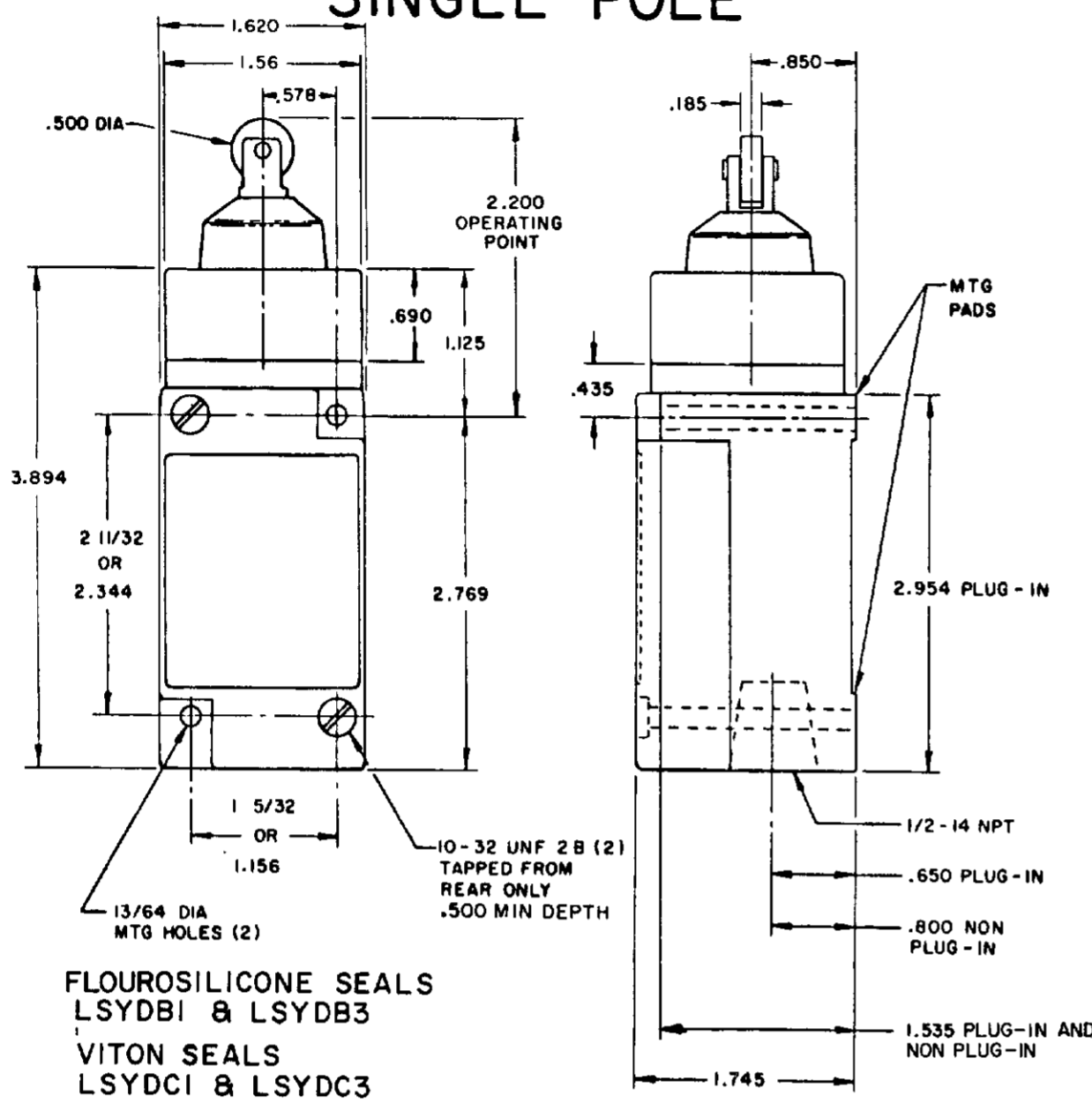
2 DIFFERENTIAL TRAVEL ON ALL  
OPERATING CHARACTERISTICS NOT  
APPLICABLE

MICRO SWITCH  
 FREEMONT, ILL. U.S.A.  
 A DIVISION OF HONEYWELL  
 700 W. COOK STREET  
 CHART 1  
 LSY SERIES  
 CATALOG LISTING

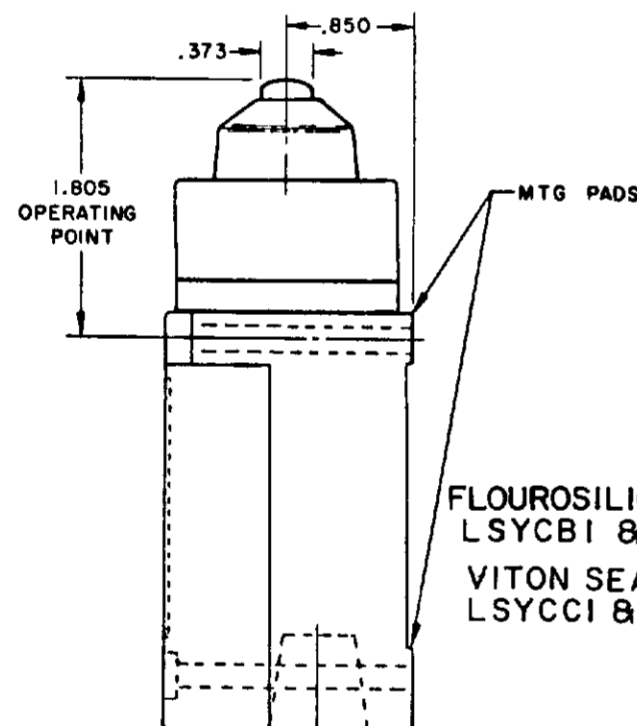
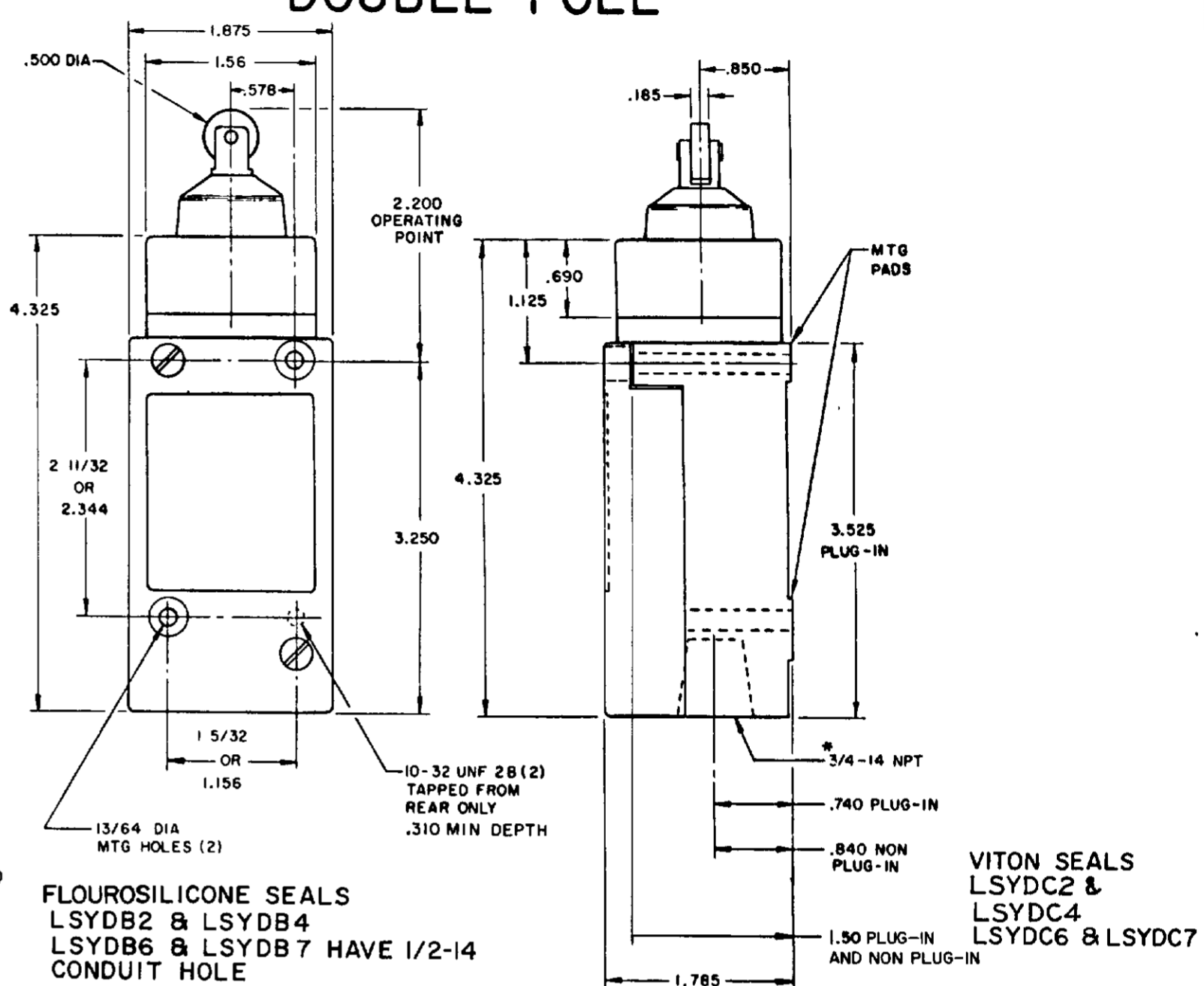
SCALE NONE  
DO NOT SCALE PRINT

# PLUNGER TYPE TOP

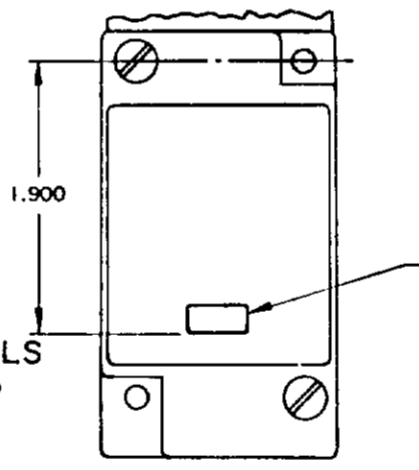
## SINGLE POLE



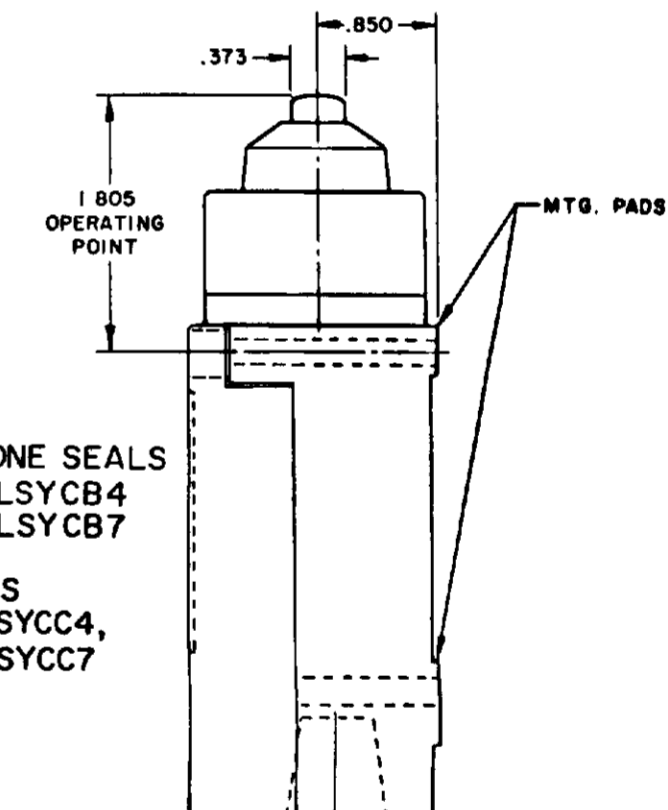
## DOUBLE POLE



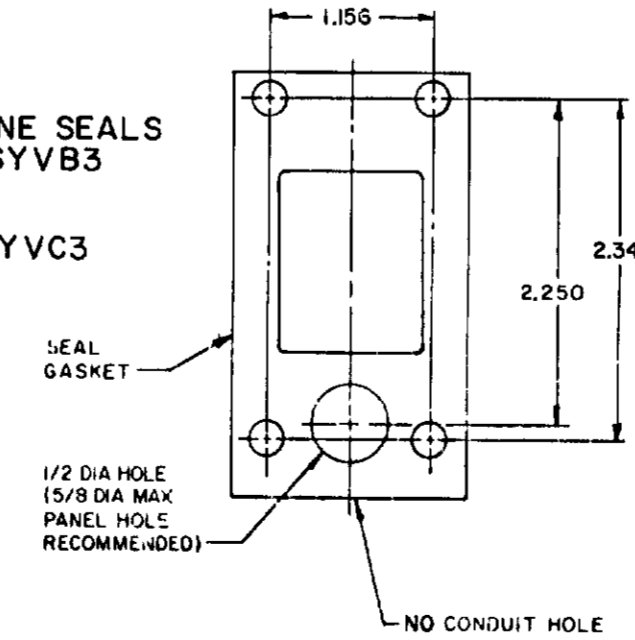
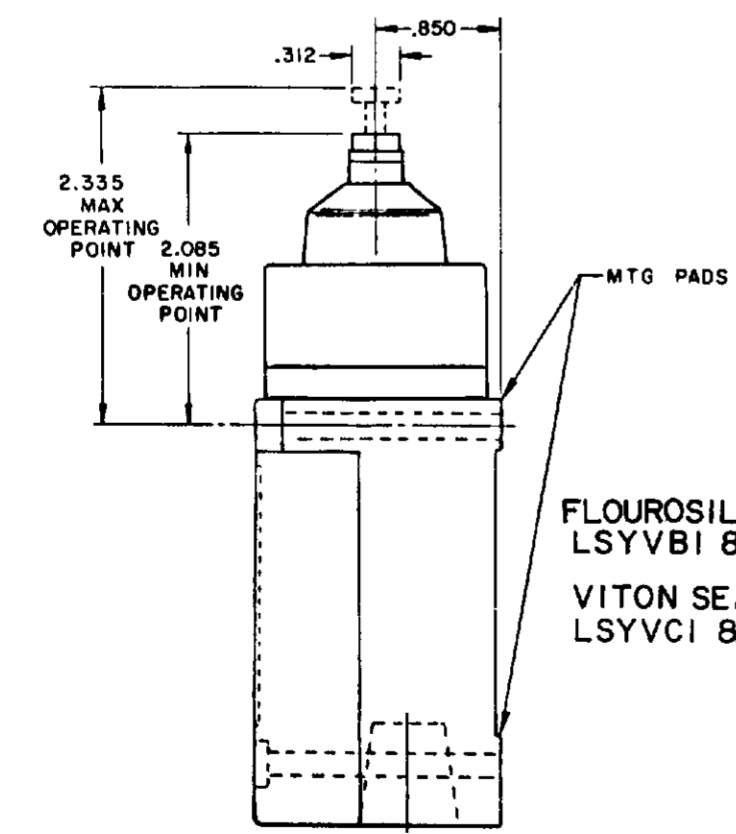
SINGLE POLE PLUG-IN ONLY WITH INDICATOR LAMP



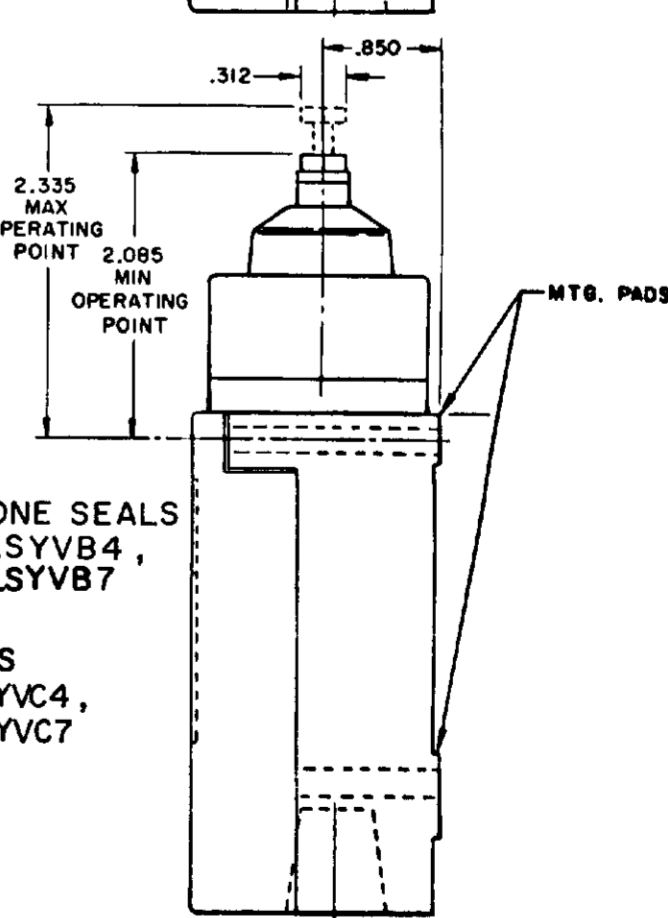
120 LAMP VOLTAGE - LSYCB 5, LSYDB5, LSYVB5, LSYCC 5, LSYDC5, LSYVC5  
 240 LAMP VOLTAGE - LSYCB8, LSYDB8, LSYVB8, LSYCC8, LSYDC8, LSYVC8



MANIFOLD MOUNT (PLUG-IN ONLY) SINGLE POLE AND DOUBLE POLE TYPE LSYA THROUGH LSYW SERIES



SEALS:  
 FLOUROSILICONE SEALS LSYVB2 & LSYVB4, LSYVB6 & LSYVB7  
 VITON SEALS LSYVC2 & LSYVC4, LSYVC6 & LSYVC7



**MICRO SWITCH**  
 THIS DRAWING GOVERNS A PROPRIETARY ITEM AND IS THE PROPERTY OF MICRO SWITCH, A DIVISION OF HONEYWELL. THIS DRAWING IS NOT TO BE COPIED OR USED WITHOUT THE APPROVAL OF MICRO SWITCH.  
 MICRO SWITCH  
 1400 W. 16TH AVENUE  
 DENVER, CO 80202-2700  
 TEL: 303.440.3100  
 FAX: 303.440.3101  
 WWW.MICROSWITCH.COM

**SWITCH - ENCLOSED**

LSY SERIES  
 CHART 1

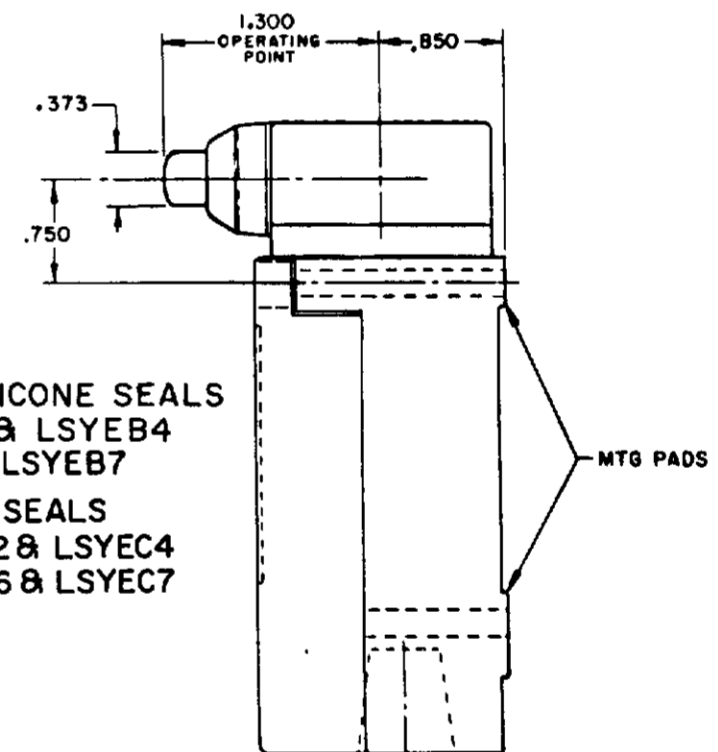
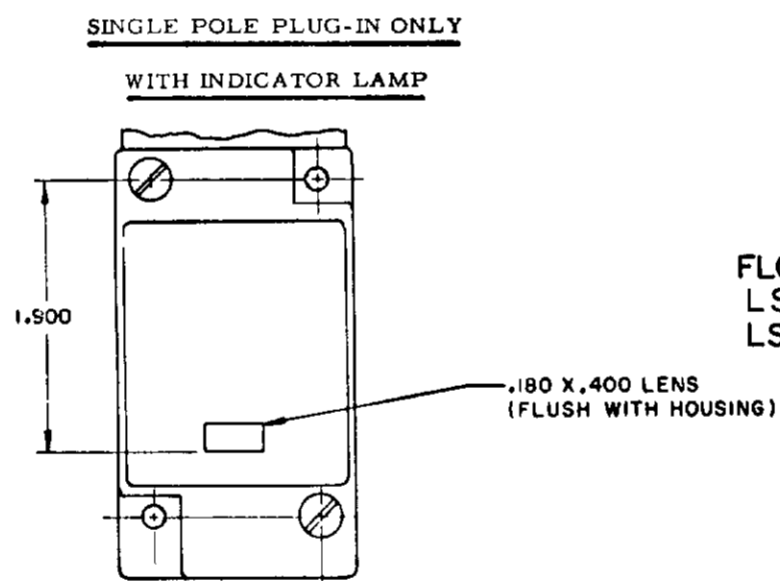
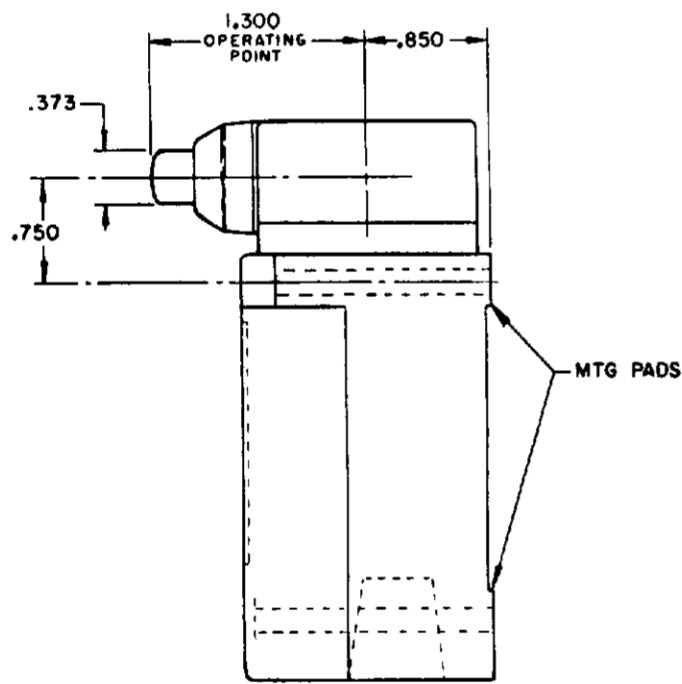
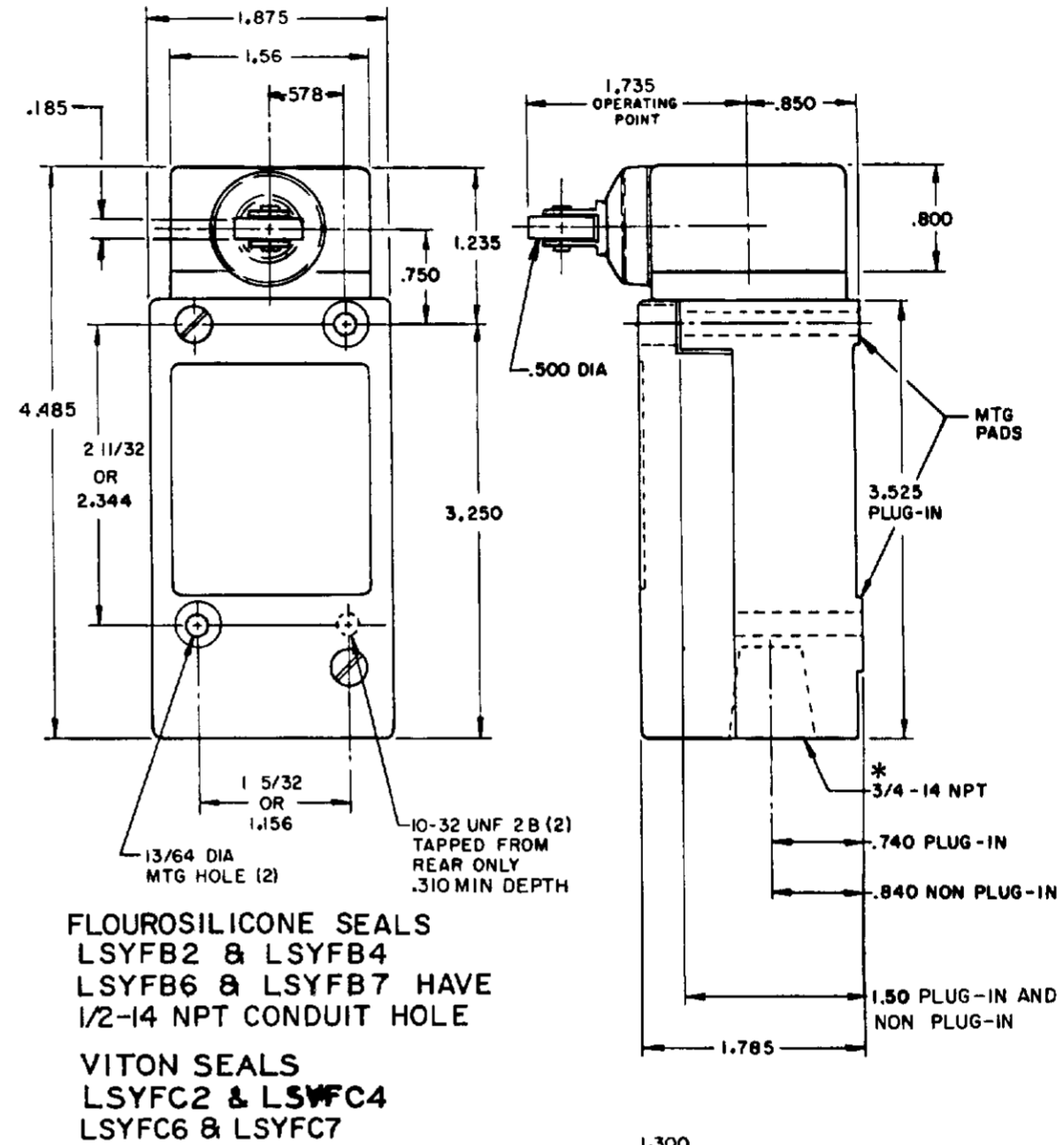
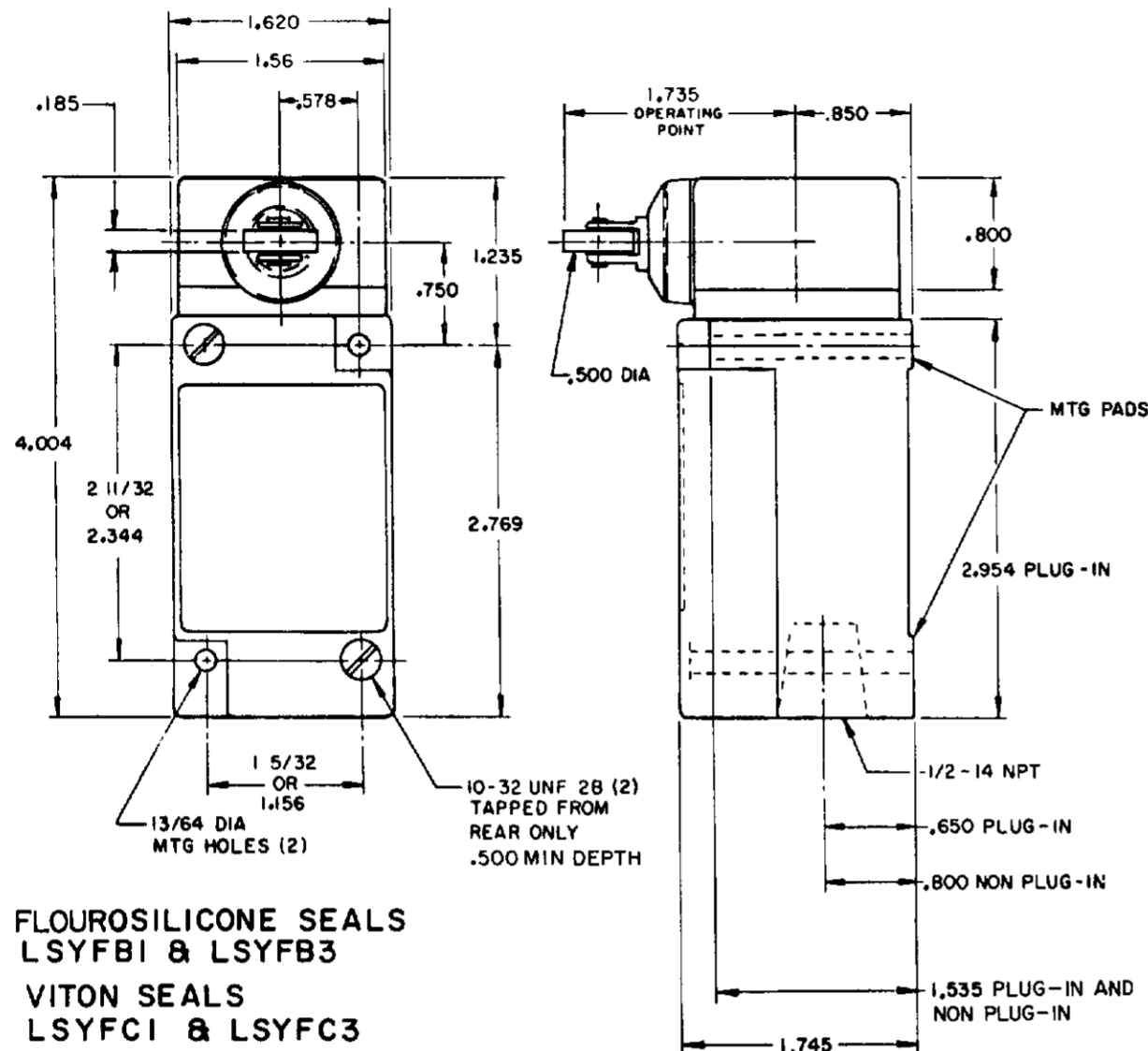
SCALE NONE  
 DO NOT SCALE PRINT

NOTES:  
 1 - ALL UNITS AVAILABLE WITH FLOUROSILICONE AND VITON SEALS

# SIDE PLUNGER TYPE

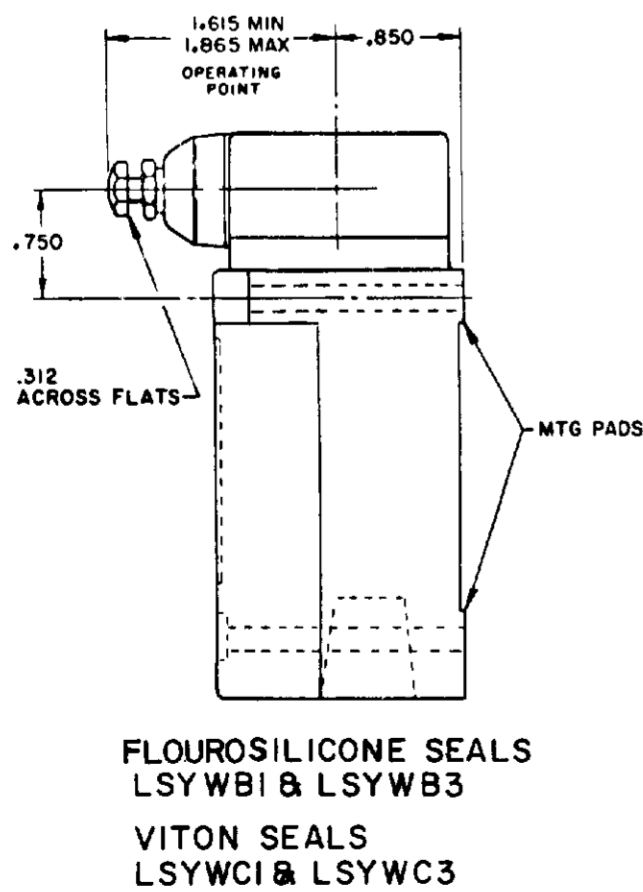
## SINGLE POLE

## DOUBLE POLE

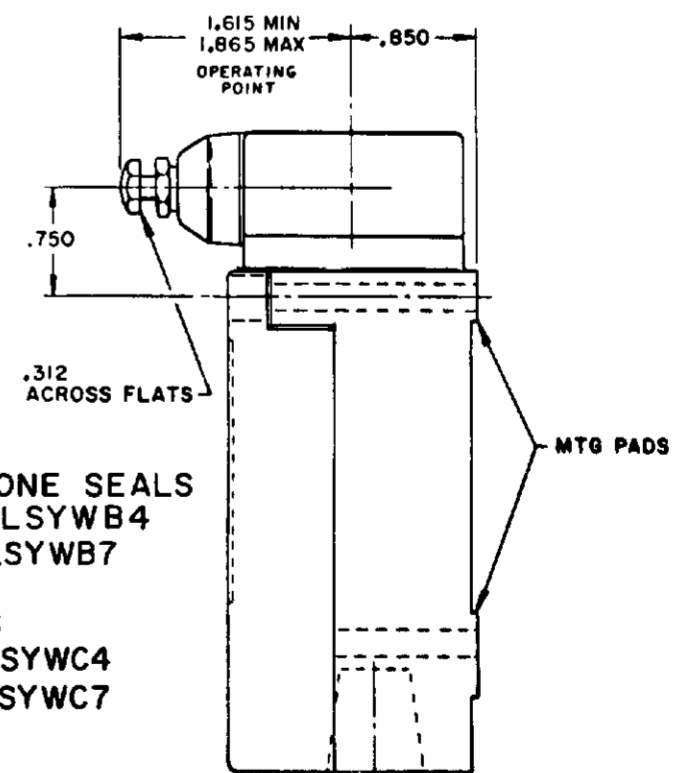
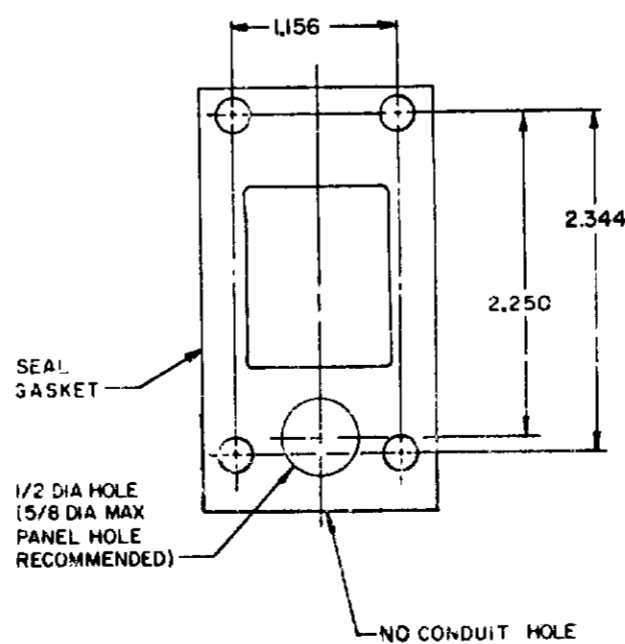


120 LAMP VOLTAGE -  
 LSYFB5, LSYEB5, LSYWB5  
 LSYFC5, LSYEC5, LSYWC5

240 LAMP VOLTAGE -  
 LSYFB8, LSYEB8, LSYWB8  
 LSYFC8, LSYEC8, LSYWC8



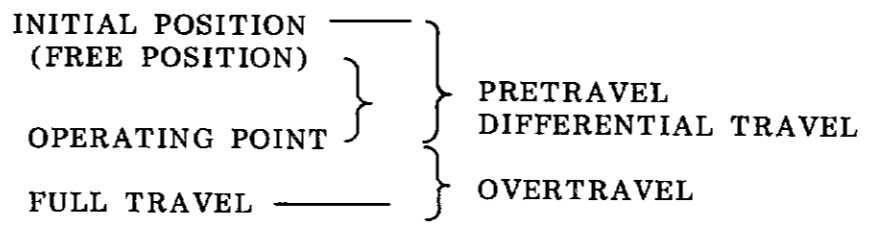
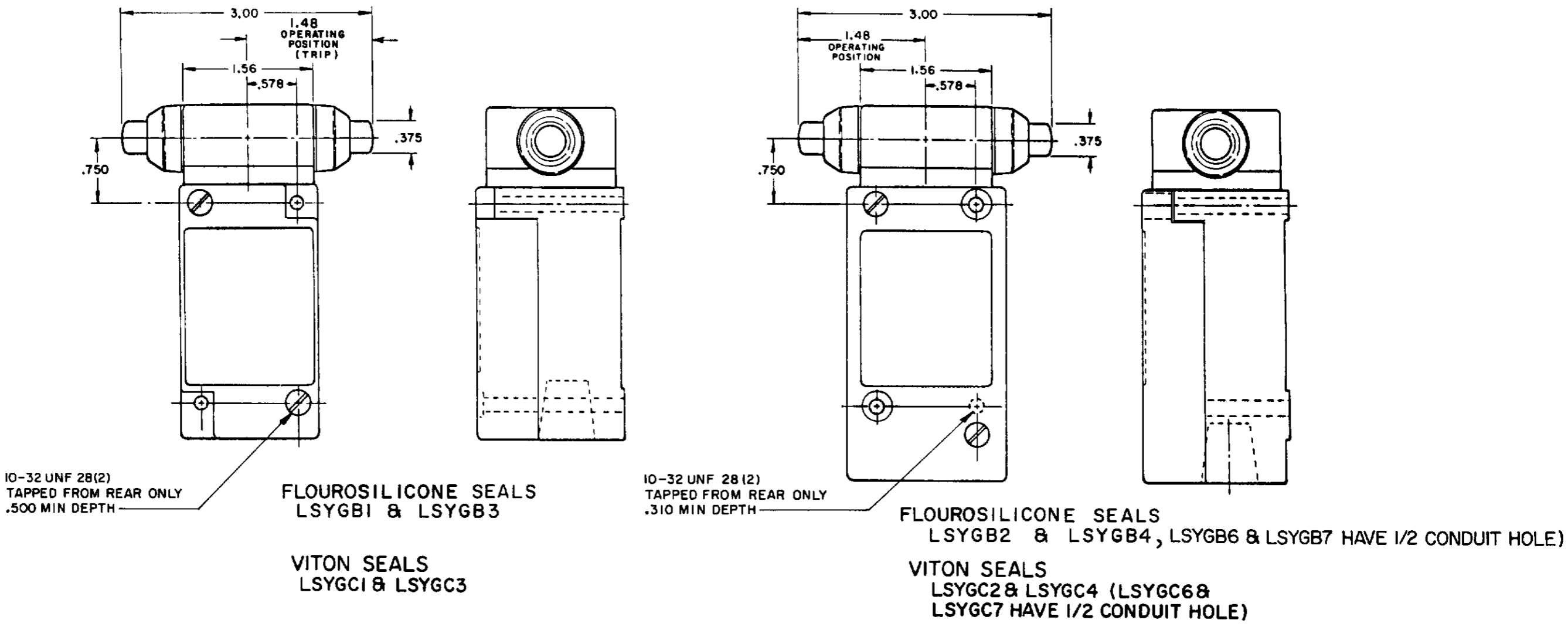
MANIFOLD MOUNT (PLUG-IN ONLY)  
 SINGLE POLE AND DOUBLE POLE  
 TYPE LSYA THROUGH LSYW SERIES



NOTES:  
 1 - ALL UNITS AVAILABLE WITH FLOUROSILICONE AND VITON SEALS

**MICRO SWITCH**  
 THIS DRAWING COVERS A PROPRIETARY ITEM AND IS THE PROPERTY OF HONEYWELL. THIS DRAWING IS NOT TO BE COPIED OR USED WITHOUT THE APPROVAL OF HONEYWELL.  
 FREEMONT ILLINOIS U.S.A.  
 A DIVISION OF HONEYWELL  
 REG. U.S. PAT. & TM. OFF.  
**SWITCH - ENCLOSED**  
 LSY SERIES  
 CATALOG LISTING  
**CHART 1**

SCALE NONE  
 DO NOT SCALE PRINT



**M** LSY SERIES CHART 1  
 PAGE 6 OF 10

OPERATING POINT GIVEN IN RELATION TO TOP MOUNTING HOLE **TOP PLUNGER TYPES**

CHARACTERISTICS	LSYC PLUNGER		LSYD ROLLER PLUNGER		LSYV ADJ PLUNGER		SEQUENCE BASIC		
	SINGLE POLE	DOUBLE POLE	SINGLE POLE	DOUBLE POLE	SINGLE POLE	DOUBLE POLE	LSYC	LSYD	LSYV
PRETRAVEL (MAX)	.070		.070		.070		1ST STEP .070		
DIFFERENTIAL TRAVEL (MAX)	.015	.020	.015	.020	.015	.020	2ND STEP .016 MIN ADD'L		
OVERTRAVEL (MIN)	.190		.190		.190		.170		
OPERATING FORCE (MAX)	4 LBS		4 LBS		4 LBS		4 LBS		
OPERATING POINT	1.805 ± .030		2.200 ± .040		2.085 MIN 2.335 MAX		1ST STEP 1.815±.030   2.210±.040   2.095 MIN / 2.345 MAX		
FULL OVERTRAVEL FORCE (MAX)	7 LBS		7 LBS		7 LBS		7 LBS		

OPERATING POINT GIVEN IN RELATION TO CENTER OF HEAD **SIDE PLUNGER TYPES**

CHARACTERISTICS	LSYE PLUNGER	LSYF ROLLER PLUNGER	LSYW ADJ PLUNGER	LSYG PLUNGER MAINTAINED	SEQUENCE BASIC		
					LSYE	LSYF	LSYW
PRETRAVEL (MAX)	.100	.100	.100	.170	1ST STEP .100		
DIFFERENTIAL TRAVEL (MAX)	.045	.045	.045	.090	2ND STEP .020 MIN ADD'L		
OVERTRAVEL (MIN)	.190	.190	.190	.080	.170		
OPERATING FORCE (MAX)	6 LBS	6 LBS	6 LBS	10 LBS	6 LBS		
OPERATING POINT	1.300 ± .030	1.735 ± .040	1.615 MIN 1.865 MAX	1.480 ± .030	1ST STEP 1.310±.030   1.745±.040   1.625 MIN / 1.875 MAX		
FULL OVERTRAVEL FORCE (MAX)	6 LBS	6 LBS	6 LBS	10 LBS	6 LBS		

**MICRO SWITCH**  
 FREEPORT ILLINOIS U.S.A.  
 A DIVISION OF HONEYWELL  
 TEL: 618-352-3133

**SWITCH - ENCLOSED**

**LSY SERIES**  
 CATALOG LISTING  
**CHART 1**

THIS DRAWING COVERS A PROPRIETARY ITEM AND IS THE PROPERTY OF MICRO SWITCH A DIVISION OF HONEYWELL. THIS DRAWING IS NOT TO BE COPIED OR USED WITHOUT THE APPROVAL OF MICRO SWITCH.

THIRD ANGLE PROJECTION

SCALE NONE

DO NOT SCALE PRINT

TOLERANCES  
 UNLESS OTHERWISE SPECIFIED:  
 FRACTIONS .005  
 DECIMALS .015  
 HOLE DIA .005  
 HOLE DIA .015  
 HOLE DIA .030  
 HOLE DIA .045  
 HOLE DIA .060  
 HOLE DIA .075  
 HOLE DIA .090  
 HOLE DIA .120  
 HOLE DIA .150  
 HOLE DIA .180  
 HOLE DIA .210  
 HOLE DIA .240  
 HOLE DIA .270  
 HOLE DIA .300

DESIGN UNITS: INCHES

WEIGHT

# WOBBLE STICK

## SINGLE POLE

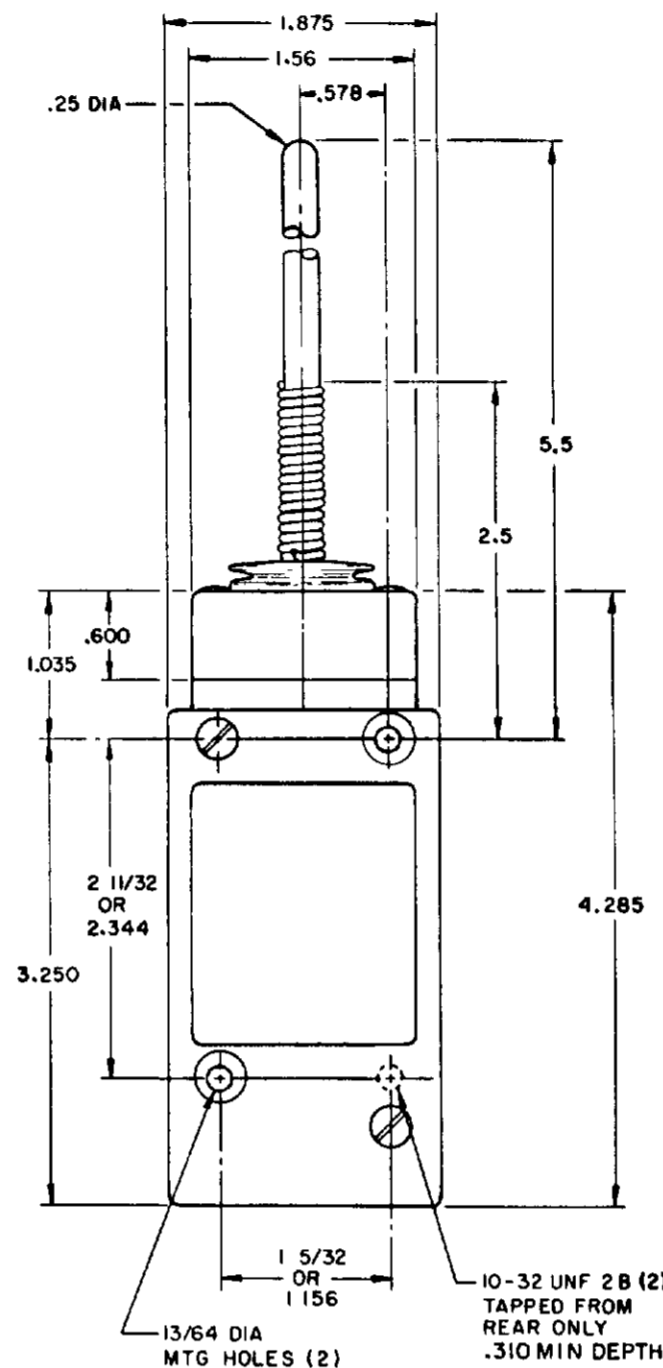
## DOUBLE POLE



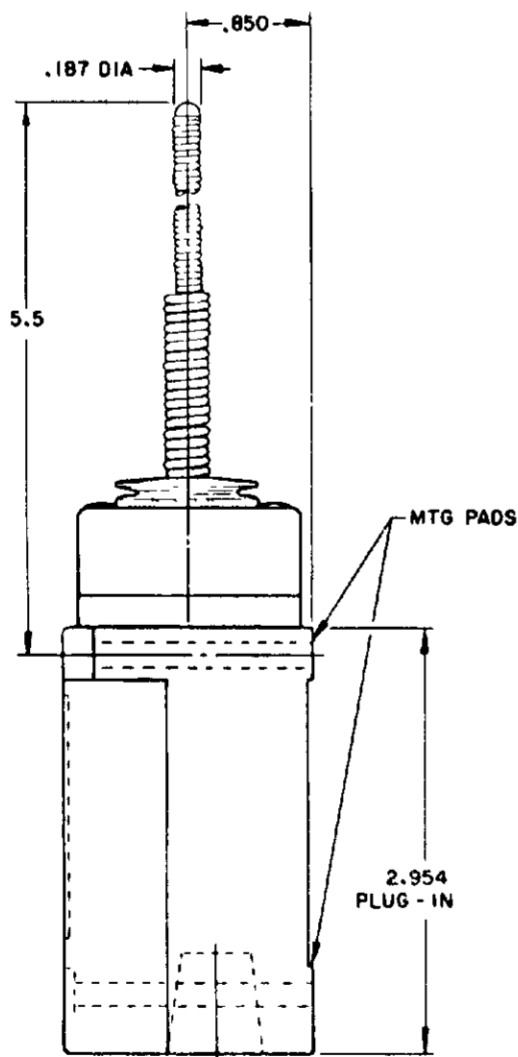
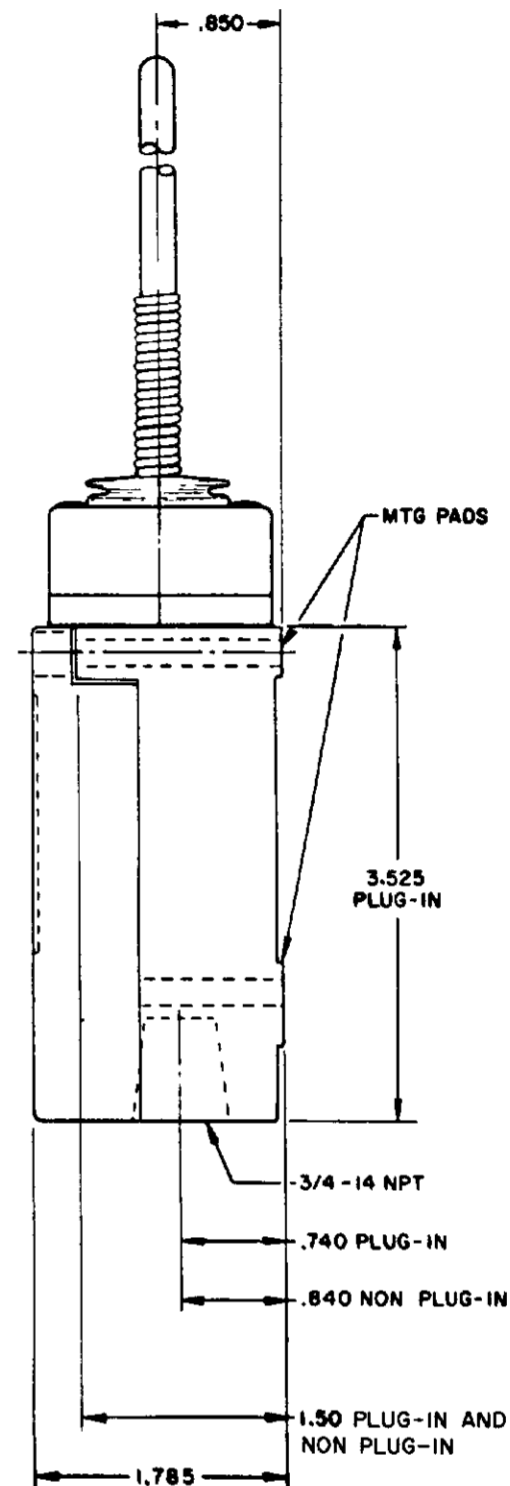
**PLASTIC EXTENSION  
TYPE 7A ACTUATOR**



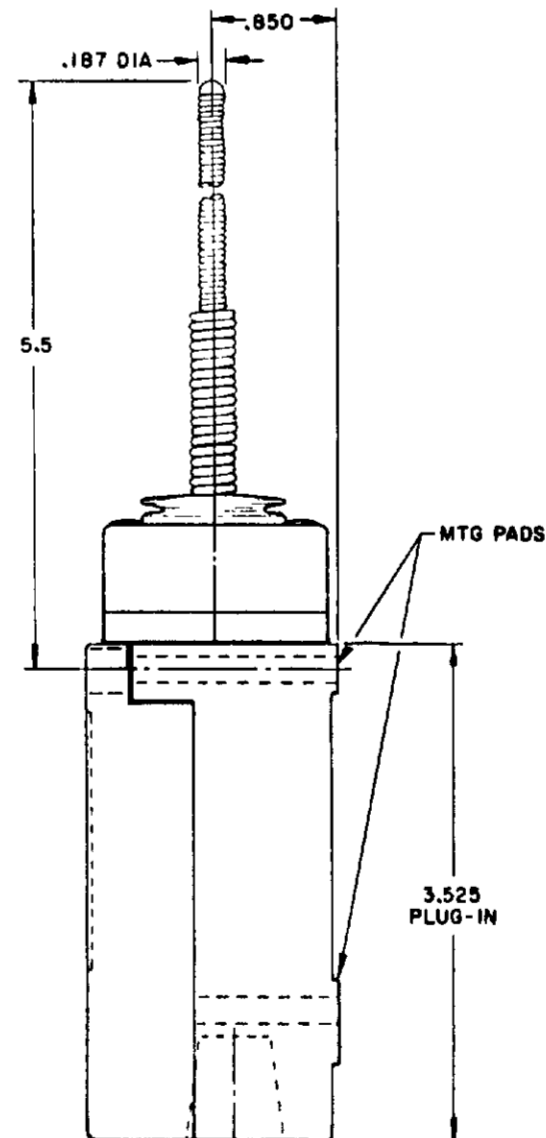
**REPLACEMENT ACTUATOR  
LSZ 4009**



**PLASTIC EXTENSION  
TYPE 7A ACTUATOR**

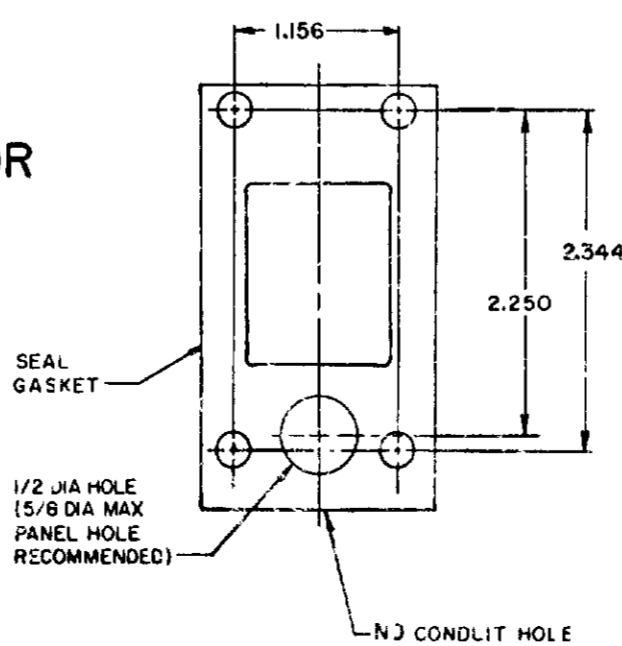


**CABLE EXTENSION  
TYPE 7N ACTUATOR**



**CABLE EXTENSION  
TYPE 7N ACTUATOR**

**REPLACEMENT ACTUATOR  
LSZ 4011**



**MANIFOLD MOUNT (PLUG-IN ONLY)  
SINGLE POLE AND DOUBLE POLE  
TYPE LSYA THROUGH LSYW SERIES**

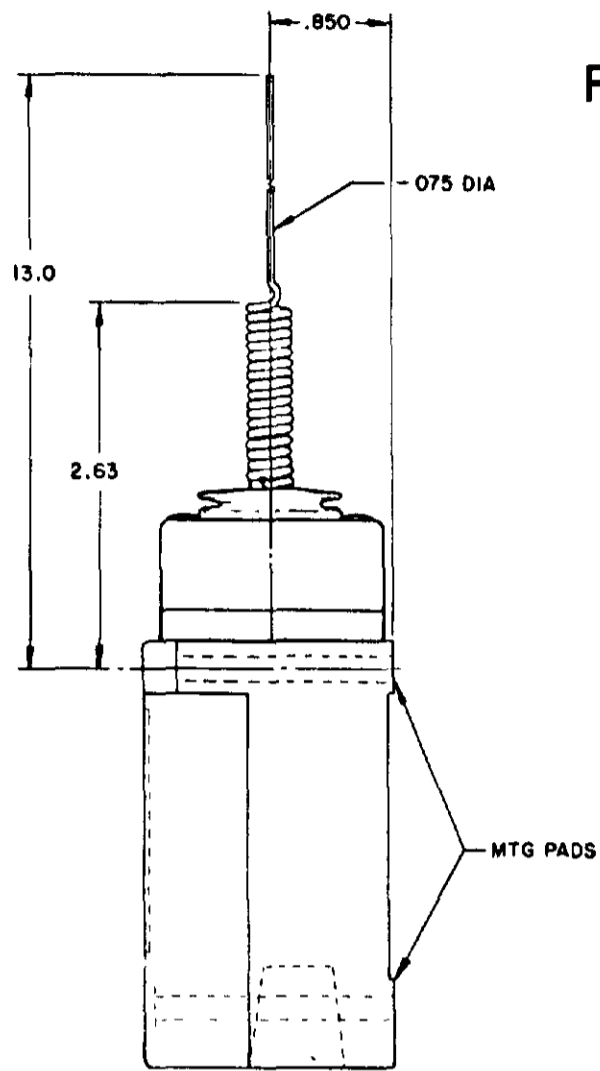
NOTES:  
1 - ALL UNITS AVAILABLE WITH  
FLUOROSILICONE AND VITON SEALS

**MICRO SWITCH**  
FREEMONT ILLINOIS U.S.A.  
A DIVISION OF HONEYWELL  
780 MFG. CODE 8188

**SWITCH-ENCLOSED**

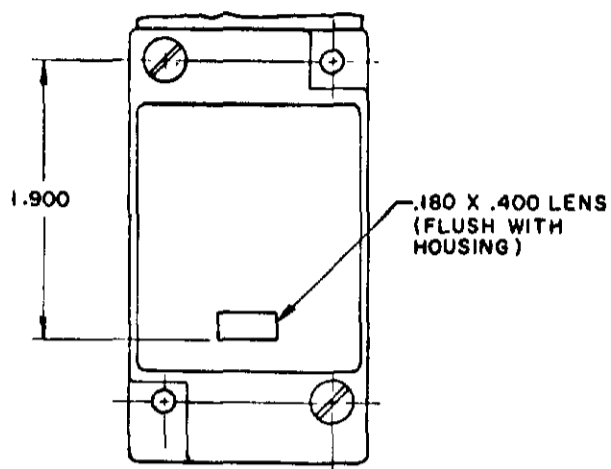
**LSY SERIES**  
CATALOG LISTING  
CHART 1

SCALE NONE  
DO NOT SCALE PRINT

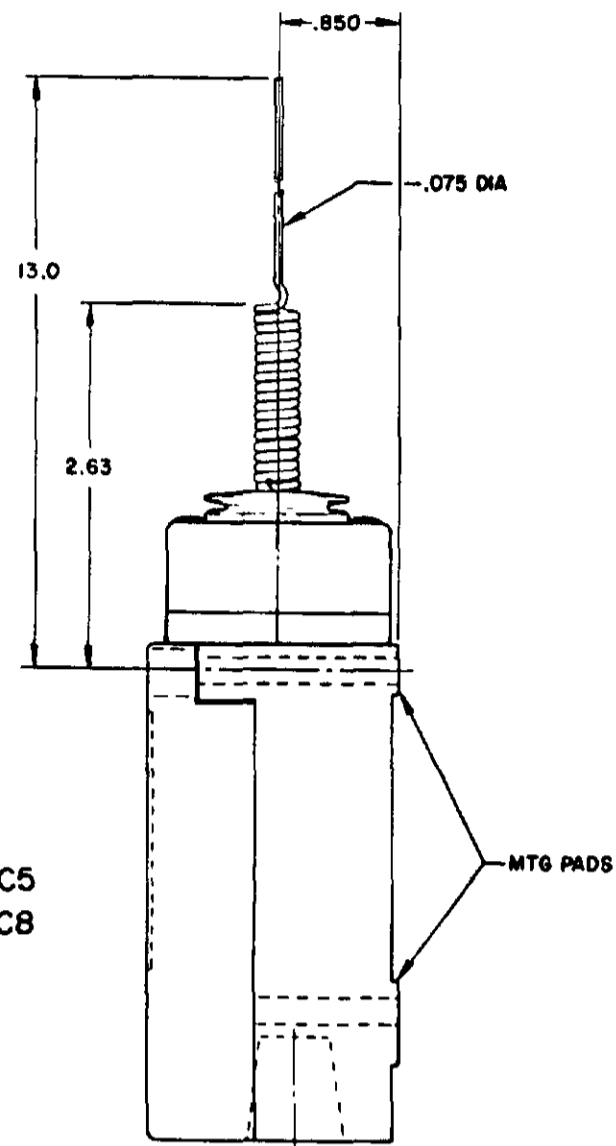


**REPLACEMENT ACTUATOR LSZ4010**

SINGLE POLE PLUG-IN ONLY  
 WITH INDICATOR LAMP



120 LAMP VOLTAGE TYPE-LSYJB5 & LSYJC5  
 240 LAMP VOLTAGE TYPE-LSYJB8 & LSYJC8



**WIRE EXTENSION TYPE 7M ACTUATOR**

FLOUROSILICONE SEALS  
 LSYJBI & LSYJB3

VITON SEALS  
 LSYJCI & LSYJC3

FLOUROSILICONE SEALS  
 LSYJB2 & LSYJB4

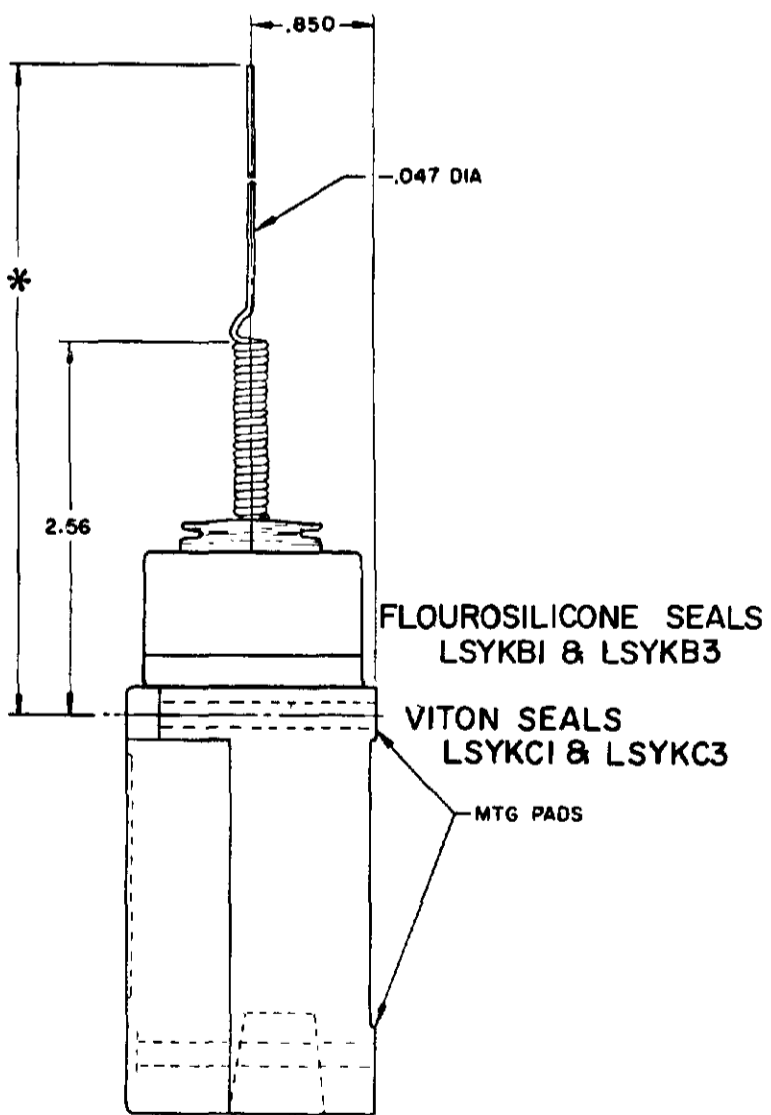
LSYJB6 & LSYJB7 HAVE 1/2-14 NPT CONDUIT HOLE

VITON SEALS LSYJC2 & LSYJC4  
 LSYJC6 & LSYJC7 HAVE 1/2-14 NPT CONDUIT HOLE

**REPLACEMENT ACTUATOR LSZ 4010**

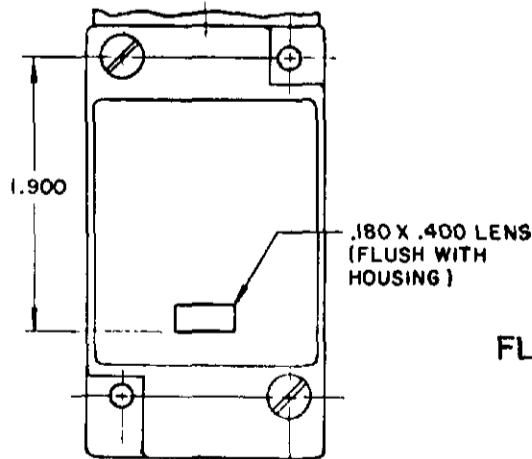
**CAT WHISKER**

**SINGLE POLE**



FLOUROSILICONE SEALS  
 LSYKBI & LSYKB3  
 VITON SEALS  
 LSYKCI & LSYKC3

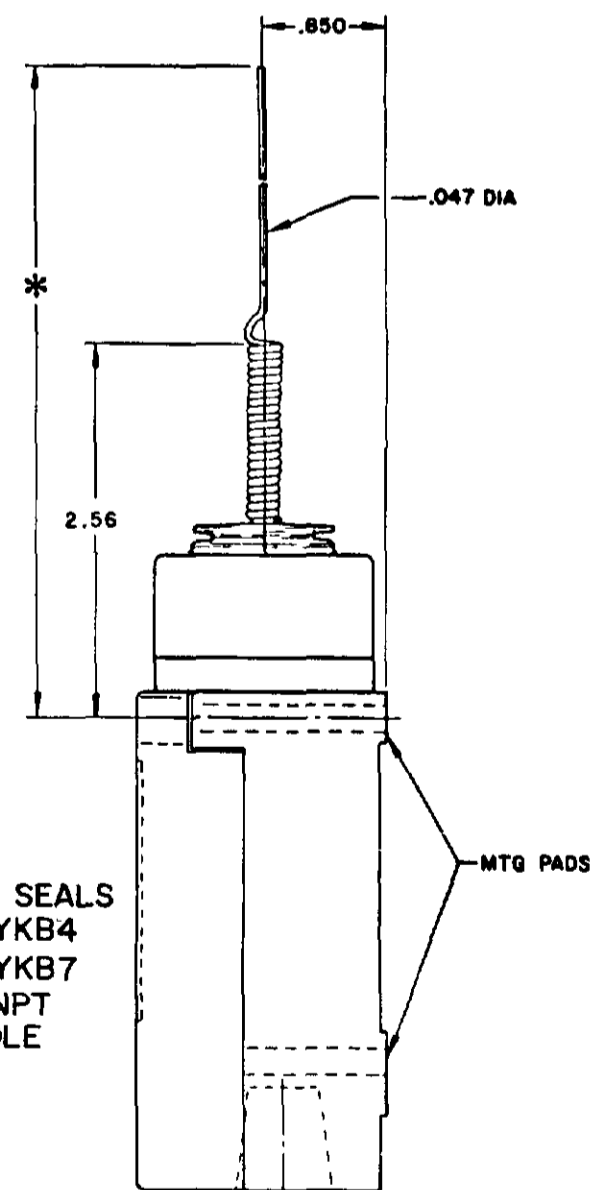
SINGLE POLE PLUG-IN ONLY  
 WITH INDICATOR LAMP



FLOUROSILICONE SEALS  
 120 LAMP VOLTAGE  
 LSYKB5 CAT WHISKER LSYBB5 TOP ROTARY  
 240 LAMP VOLTAGE  
 LSYKB8 CAT WHISKER LSYBB8 TOP ROTARY

VITON SEALS  
 120 LAMP VOLTAGE  
 LSYKC5 CAT WHISKER LSYBC5 TOP ROTARY  
 240 LAMP VOLTAGE  
 LSYKC8 CAT WHISKER LSYBC8 TOP ROTARY

**DOUBLE POLE**



FLOUROSILICONE SEALS  
 LSYKB2 & LSYKB4  
 LSYKB6 & LSYKB7  
 HAVE 1/2-14 NPT  
 CONDUIT HOLE

**WIRE EXTENSION REPLACEMENTS**

\*TYPE 8 A ACTUATOR 5.5 IN.-LSZ 4012  
 TYPE 8 B ACTUATOR 7.5 IN.-LSZ 4013  
 TYPE 8 C ACTUATOR 5.5 IN.-LSZ 4014

**WIRE EXTENSION**  
 \*TYPE 8 A ACTUATOR 5.5 IN.  
 TYPE 8 B ACTUATOR 7.5 IN.  
 TYPE 8 C COIL ACTUATOR 5.5 IN

PRETRAVEL (APPROX) IN. RADIUS	CAT WHISKER			WOBBLE STICK		
	5/16" COIL	5/16" WIRE	7/16" WIRE	ROD	CABLE	WIRE
	2	2	4.5	1.0	1.5	4.0
OPERATING FORCE-OZ (MAX)	7.0	5.0	3.0	10.0	7.0	5.0

NOTE-  
 1 - ALL UNITS AVAILABLE WITH  
 FLOUROSILICONE AND VITON SEALS

**MICRO SWITCH**  
 THIS DRAWING COVERS A PROPRIETARY ITEM AND IS THE PROPERTY OF MICRO SWITCH A DIVISION OF HONEYWELL. THIS DRAWING IS NOT TO BE COPIED OR USED WITHOUT THE APPROVAL OF MICRO SWITCH.  
 MICRO SWITCH  
 FREEPORT, ILLINOIS, U.S.A.  
 A DIVISION OF HONEYWELL  
 FIG. 876 CODE 8118

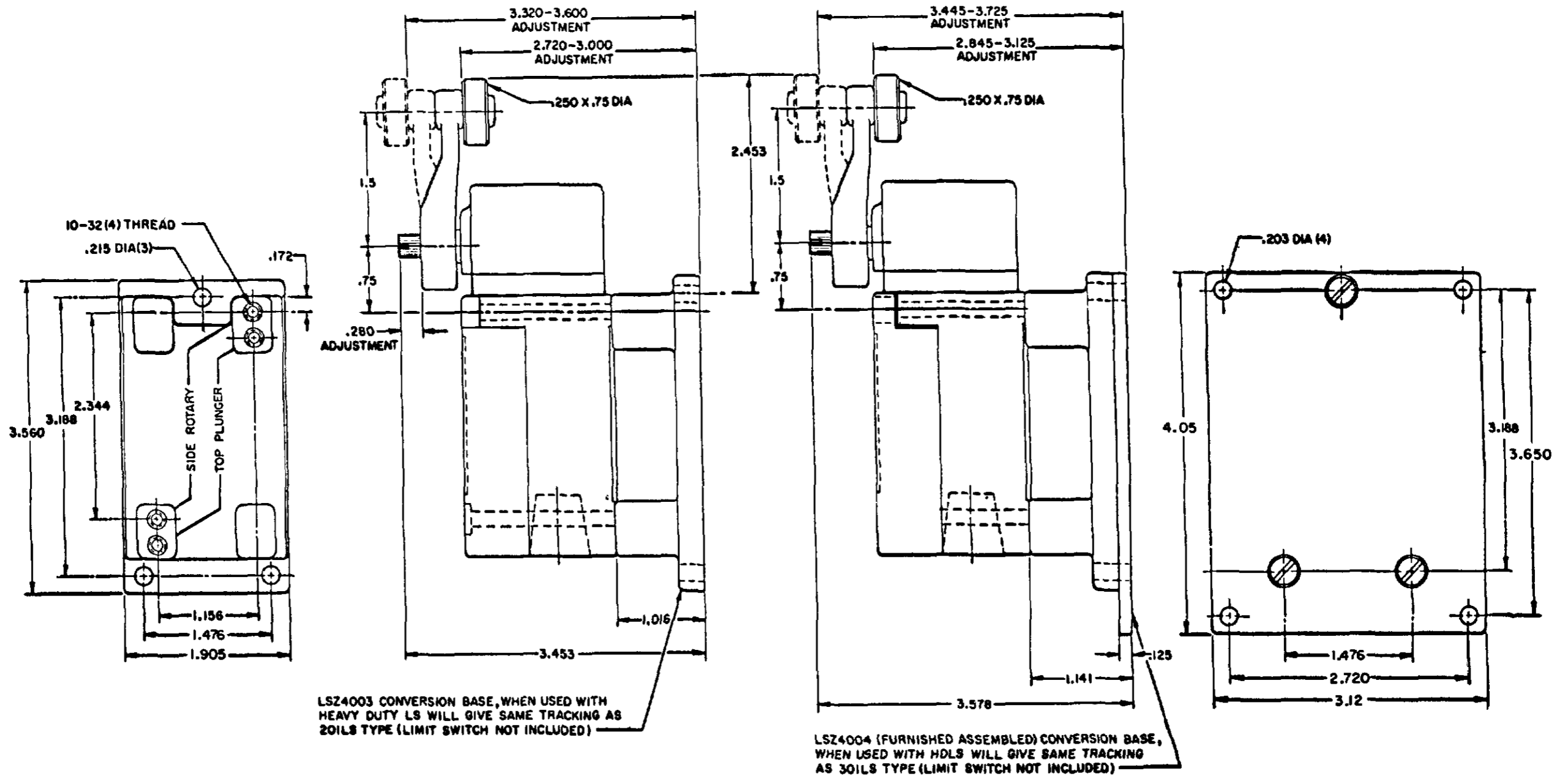
LSY SERIES  
 CHART 1  
 SCALE NONE  
 DO NOT SCALE PRINT



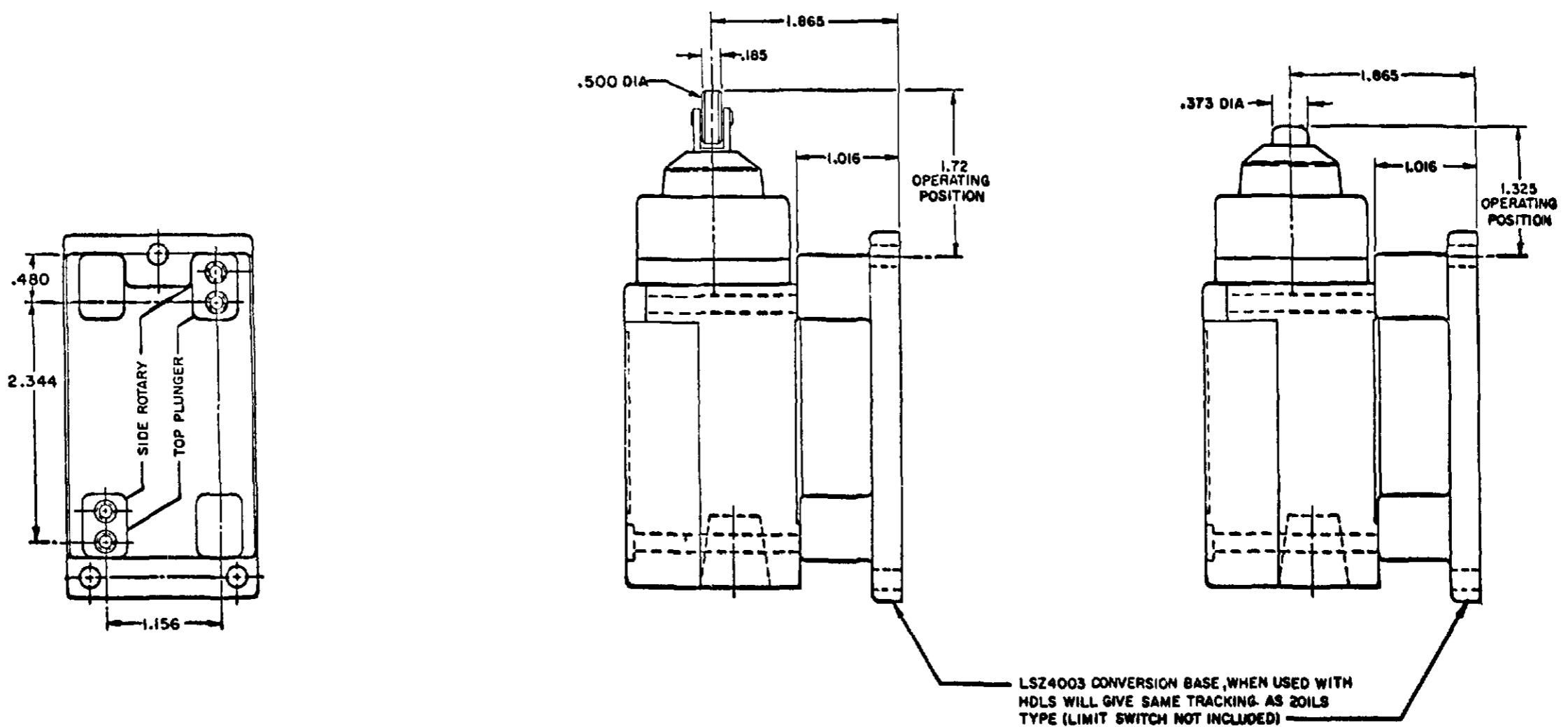
# CONVERSION BASES

## SINGLE POLE (SIDE ROTARY) LSZ 4003

## DOUBLE POLE (SIDE ROTARY) LSZ4004



## SINGLE POLE TOP PLUNGER LSZ4003



**MICRO SWITCH**  
 A DIVISION OF HONEYWELL  
 PREPARED ILLINOIS U.S.A.  
 740 WFS CODE 8188

THIS DRAWING COVERS A PROPRIETARY ITEM AND IS THE PROPERTY OF MICRO SWITCH, A DIVISION OF HONEYWELL. THIS DRAWING IS NOT TO BE COPIED OR USED WITHOUT THE APPROVAL OF MICRO SWITCH.

**SWITCH - ENCLOSED**

LSY SERIES  
 CATALOG LISTING  
 CHART 1

SCALE FULL  
 DO NOT SCALE PRINT

TEMPERATURE LIMITATIONS FOR  
DEVICES WITH FLUORSILICONE (LSYAB\*\*) AND VITON (LSYAC\*\*) SEALS

ALL HEAD TYPES WITH SEALS OF

	3	1	1	1	1	1	2	2	4	1	1	1	1	1	1	1	1	2	1	4	4	1	1	1
FLUOR-SILICONE <sup>1</sup>	4	1	1	1	1	1	2	2	4	1	1	1	1	1	1	1	1	2	1	4	4	1	1	1
VITON <sup>2</sup>	1	1	1	1	1	1	1	1	1	1	1	1	1	1	1	1	1	1	1	1	1	1	1	1

CODE: 1 SATISFACTORY 2 FAIR 3 DOUBTFUL 4 UNSATISFACTORY

- <sup>1</sup> FLUORSILICONE SEAL (LSYAB\*\*) FOR LOW TEMPERATURE APPLICATIONS
- <sup>2</sup> VITON SEALS (LSYAC\*\*) FOR FIRE-RESISTANT FLUIDS
- <sup>3</sup> ALL EXCEPT A60

	LOW LIMIT	HIGH LIMIT
LSYAB	-40°F	+250°F
LSYAC	+10°F	+250°F
LSYBB	-20°F	+250°F
LSYBC	+30°F	+250°F
LSYCB	-40°F	+200°F
LSYCC	+10°F	+250°F
LSYDB	-40°F	+200°F
LSYDC	+10°F	+250°F
LSYEB	-40°F	+200°F
LSYEC	+10°F	+250°F
LSYFB	-40°F	+200°F
LSYFC	+10°F	+250°F
LSYGB	-20°F	+200°F
LSYGC	+30°F	+250°F
LSYHB	-20°F	+250°F
LSYHC	+30°F	+250°F
LSYJB	-40°F	+250°F
LSYJC	+30°F	+250°F
LSYKB	-20°F	+250°F
LSYKC	+30°F	+250°F
LSYLB	-40°F	+250°F
LSYLC	+10°F	+250°F
LSYMB	-40°F	+250°F
LSYMC	+10°F	+250°F
LSYNB	-20°F	+250°F
LSYNC	+30°F	+250°F
LSYPB	-40°F	+250°F
LSYPC	+10°F	+250°F
LSYRB	-20°F	+250°F
LSYRC	+30°F	+250°F
LSYVB	-40°F	+200°F
LSYVC	+10°F	+250°F
LSYWB	-40°F	+200°F
LSYWC	+10°F	+250°F

ISSUE 7  
 LSY SERIES CHART 1  
 PAGE 10 OF 10  
 RELEASE NO CO-78499  
 REFLECTS LSY SERIES  
 10JUL07  
 PSR  
 CHECK  
 19APR05  
 AK  
 12 SEP 94  
 JAF  
 24 AUG 94  
 RASTER  
 DRAWN  
 GJM

REVISIONS

A	00	09948	10 JAN 00
B	200704		
C	200853		
D	202198		
E	0012601		
F	10031956		

THIS DRAWING COVERS A PROPRIETARY ITEM AND IS THE PROPERTY OF MICRO SWITCH A DIVISION OF HONEYWELL. THIS DRAWING IS NOT TO BE COPIED OR USED WITHOUT THE APPROVAL OF MICRO SWITCH.

**MICRO SWITCH**  
FREEPORT ILLINOIS U.S.A.  
A DIVISION OF HONEYWELL  
FED MFG CODE 91929

SWITCH - ENCLOSED

CATALOG LISTING  
**LSY SERIES**  
CHART 1

SCALE  
DO NOT SCALE PRINT

UNLESS OTHERWISE NOTED  
DIMENSIONS ARE IN INCHES  
TOLERANCES ARE

FINISH	1.000	±.005
DRILL PLUGS	1.000	±.010
DRILL PLUGS	1.000	±.010
DRILL PLUGS	1.000	±.010
DRILL PLUGS	1.000	±.010



Компания «ЭлектроПласт» предлагает заключение долгосрочных отношений при поставках импортных электронных компонентов на взаимовыгодных условиях!

Наши преимущества:

- Оперативные поставки широкого спектра электронных компонентов отечественного и импортного производства напрямую от производителей и с крупнейших мировых складов;
- Поставка более 17-ти миллионов наименований электронных компонентов;
- Поставка сложных, дефицитных, либо снятых с производства позиций;
- Оперативные сроки поставки под заказ (от 5 рабочих дней);
- Экспресс доставка в любую точку России;
- Техническая поддержка проекта, помощь в подборе аналогов, поставка прототипов;
- Система менеджмента качества сертифицирована по Международному стандарту ISO 9001;
- Лицензия ФСБ на осуществление работ с использованием сведений, составляющих государственную тайну;
- Поставка специализированных компонентов (Xilinx, Altera, Analog Devices, Intersil, Interpoint, Microsemi, Aeroflex, Peregrine, Syfer, Eurofarad, Texas Instrument, Miteq, Cobham, E2V, MA-COM, Hittite, Mini-Circuits, General Dynamics и др.);

Помимо этого, одним из направлений компании «ЭлектроПласт» является направление «Источники питания». Мы предлагаем Вам помощь Конструкторского отдела:

- Подбор оптимального решения, техническое обоснование при выборе компонента;
- Подбор аналогов;
- Консультации по применению компонента;
- Поставка образцов и прототипов;
- Техническая поддержка проекта;
- Защита от снятия компонента с производства.



#### Как с нами связаться

**Телефон:** 8 (812) 309 58 32 (многоканальный)

**Факс:** 8 (812) 320-02-42

**Электронная почта:** [org@eplast1.ru](mailto:org@eplast1.ru)

**Адрес:** 198099, г. Санкт-Петербург, ул. Калинина, дом 2, корпус 4, литера А.