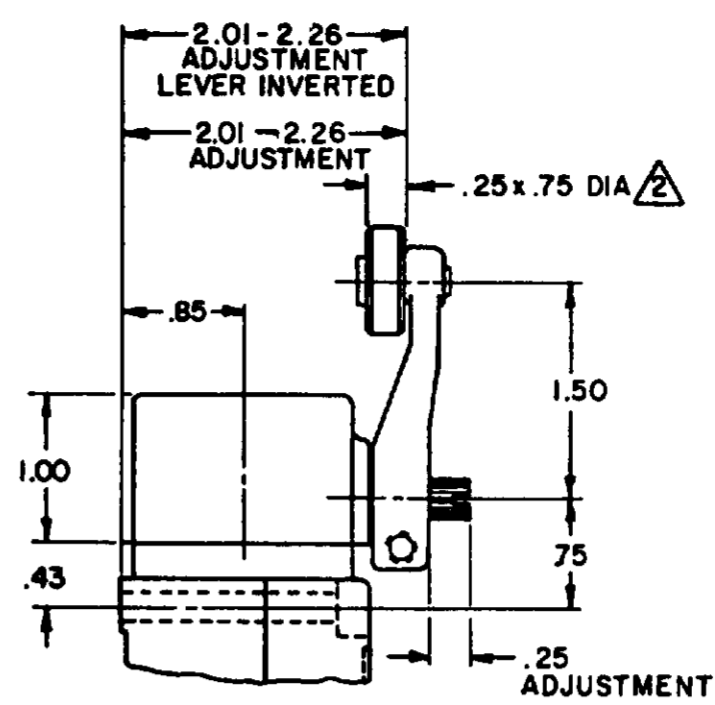
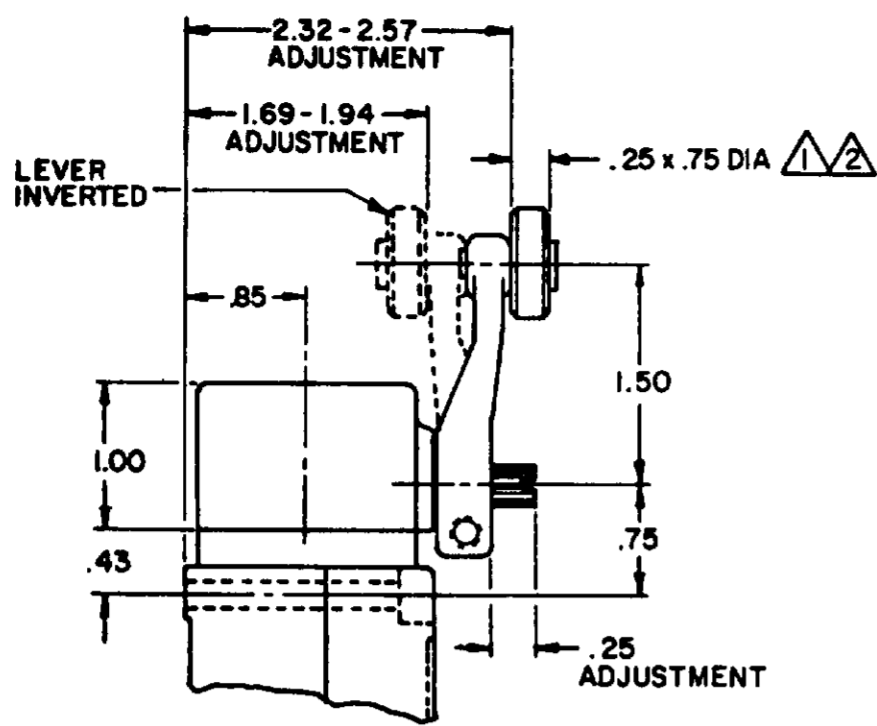
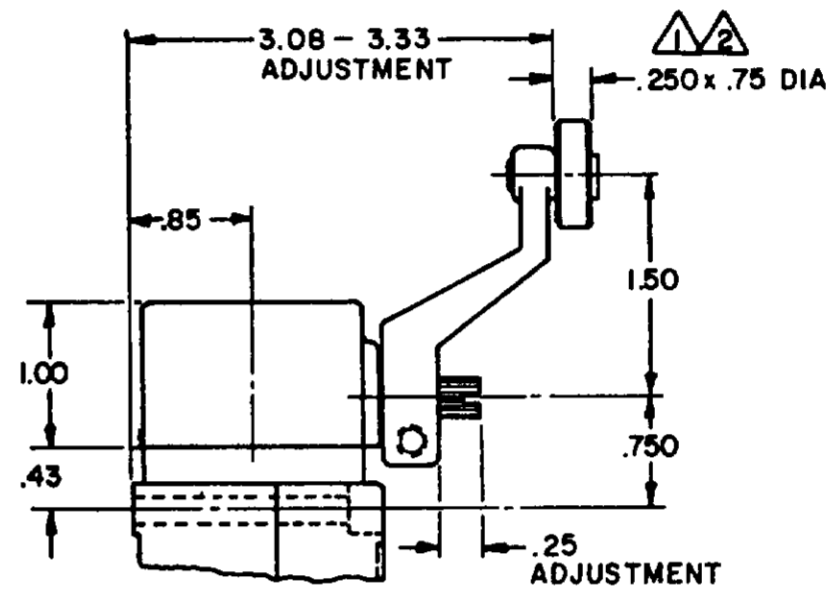


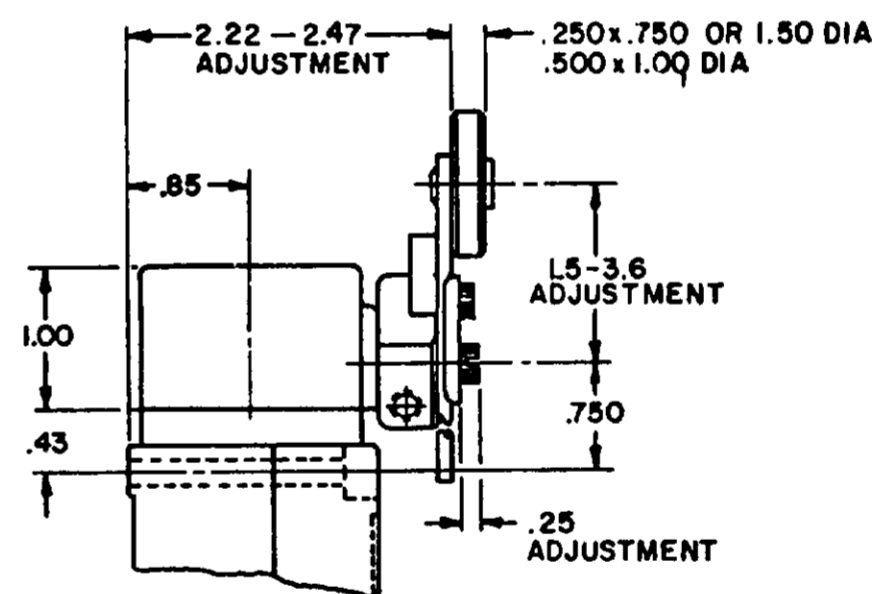
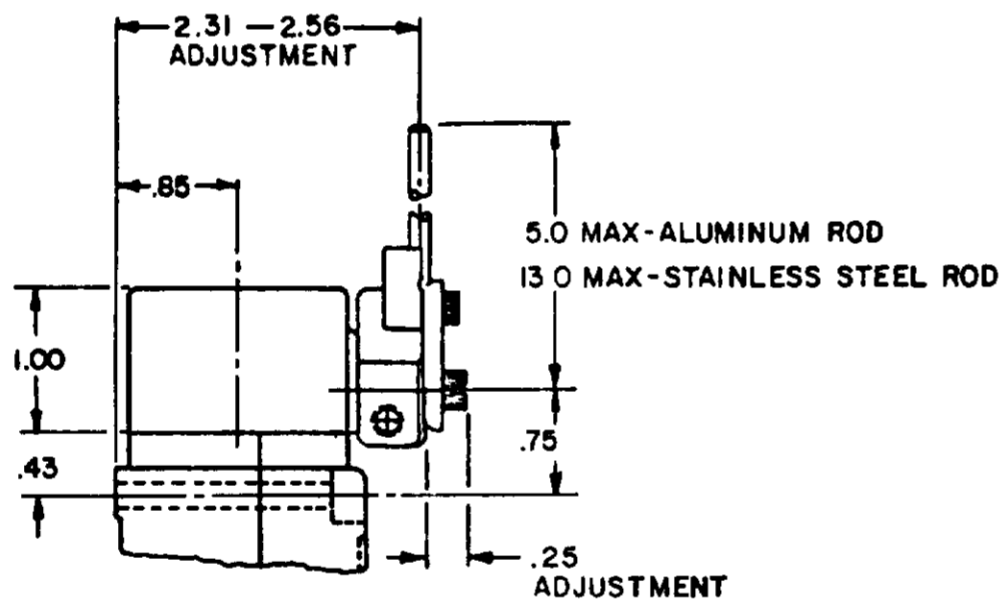
SIDE ROTARY CAM TRACKING



LSZ51 TYPE LEVERS

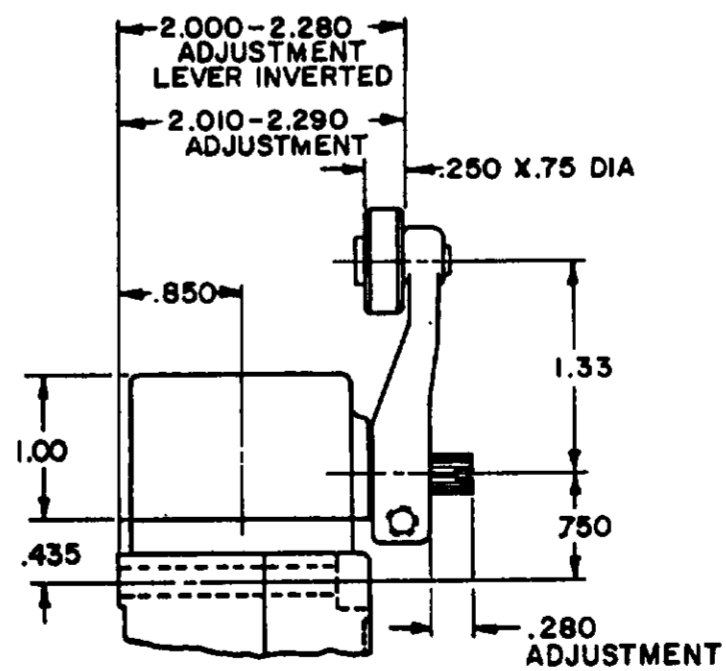


LSZ55 TYPE LEVERS



LSZ54 TYPE LEVER

LSZ52 TYPE LEVER



LSZ59 TYPE LEVERS

NOTES

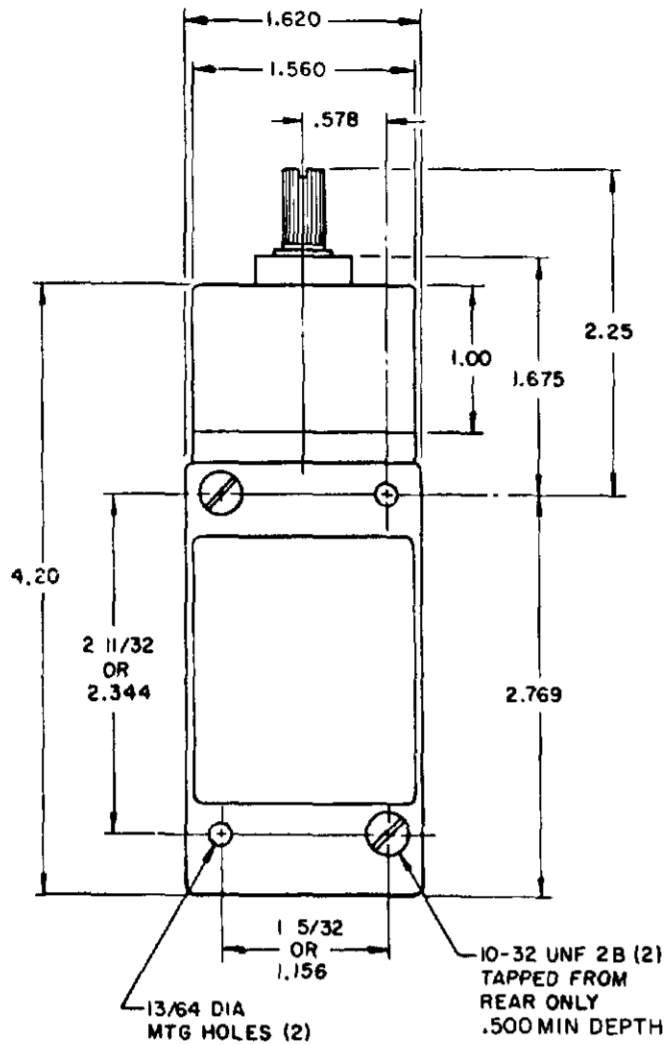
- ▲ ALSO AVAILABLE IN .250 X 1.500 DIA NYLON, BUT LEVER CANNOT BE INVERTED
- ▲ FOR ADDITIONAL ROLLER WIDTHS AND/OR DIAMETERS REFER TO (M)
- 3 - FOR ADDITIONAL TYPES OF ROLLERS AND LEVERS REFER TO LSZ CHART 1 (M)

MICRO SWITCH
 a Honeywell Division
 THIS DRAWING COVERS A PROPRIETARY ITEM AND IS THE PROPERTY OF MICRO SWITCH A DIVISION OF HONEYWELL. THIS DRAWING IS NOT TO BE COPIED OR USED WITHOUT THE APPROVAL OF MICRO SWITCH CATALOG LISTING
 CHART 1
 LSY SERIES

THIRD ANGLE PROJECTION	
SCALE NONE	
DO NOT SCALE PRINT	
UNLESS OTHERWISE SPECIFIED TOLERANCES ARE	
ONE PLACE (.0)	± .030
TWO PLACE (.00)	± .015
THREE PLACE (.000)	± .005
ANGLES	±
WEIGHT	

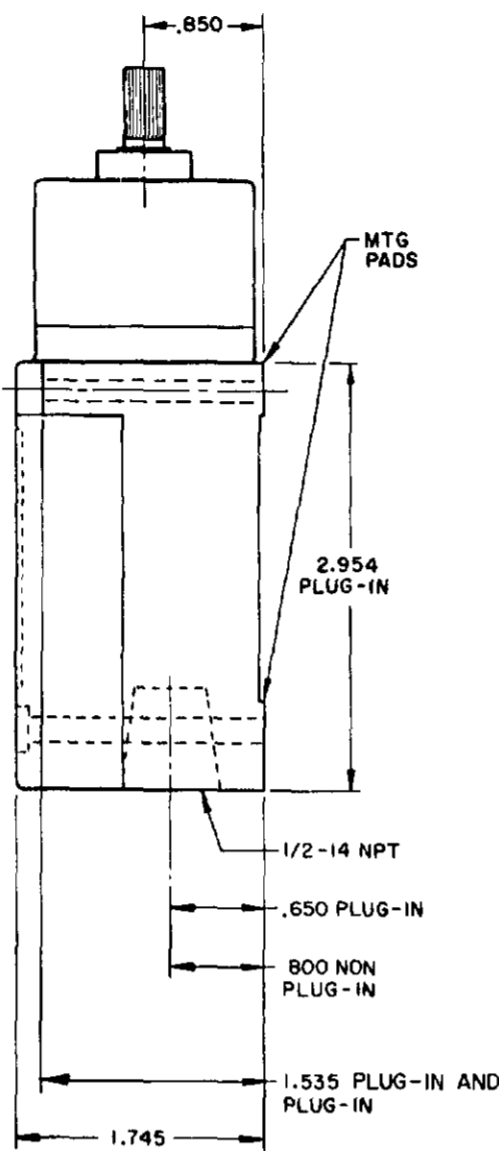
TOP ROTARY

SINGLE POLE

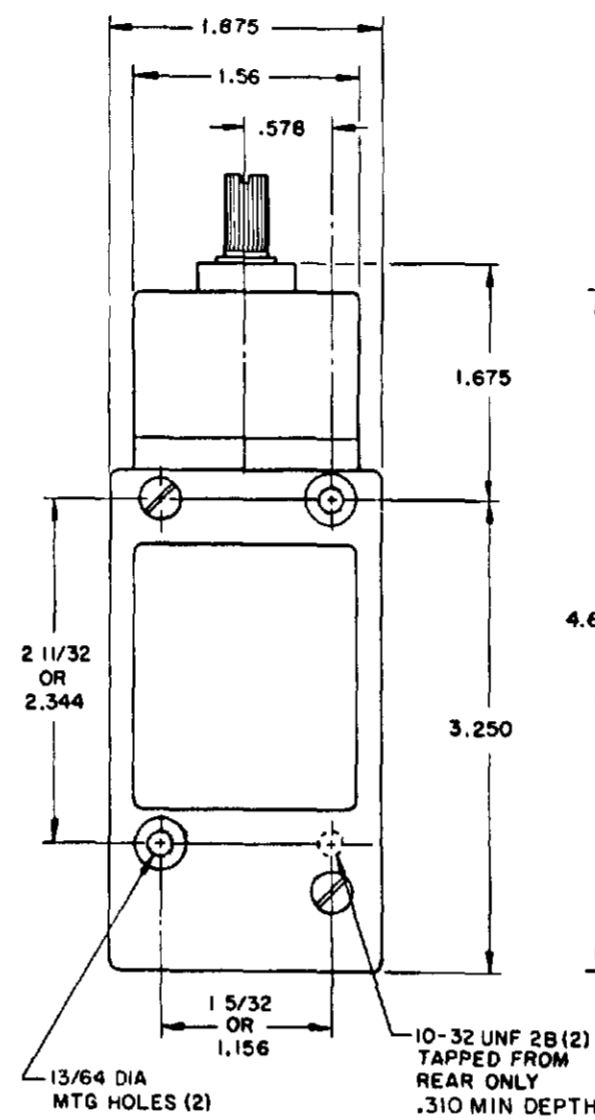


FLOUROSILICONE SEALS
LSYBBI & LSYBB3

VITON SEALS
LSYBCI & LSYBC3



DOUBLE POLE



FLOUROSILICONE SEALS
LSYBB2 & LSYBB4

LSYBB6 & LSYBB7 HAVE 1/2-14NPT
CONDUIT HOLE

VITON SEALS
LSYBC2 & LSYBC4, LSYBC6 & LSYBC7
HAVE 1/2-14NPT CONDUIT HOLE

PRETRAVEL MAX	SINGLE POLE 25°	DOUBLE POLE 25°
OVERTRAVEL MIN	110°	110°
DIFFERENTIAL TRAVEL MAX	10°	12°
OPERATING TORQUE MAX	2.5 IN. LBS	2.5 IN. LBS
TOTAL TRAVEL (REF)	135°	135°

ELECTRICAL RATINGS

10 AMP CONT.

A.C. VOLTAGE	AMPS AT .35 POWER FACTOR			
	SINGL. POL.		DOUBL. POL.	
	MAKE	BREAK	MAKE	BREAK
120	60	6	10	3
240	30	3	15	1.5
480	15	1.5	7.5	.75
600	12	1.2	6	.6

D.C. VOLTAGE	MAKE & BREAK INDUCTIVE	RESISTIVE
120	0.25	0.80
240	0.15	0.40

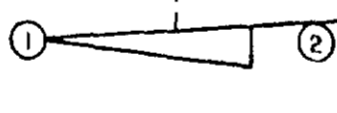
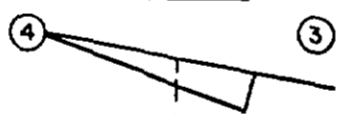
ELECTRONIC DUTY BASIC SWITCH
10 AMP CONT.

VOLTAGE	MAKE AND BREAK AMPS
5 AC OR DC MIN	.01 AMP MIN
600 AC	720 VA
240 DC	30 WATT

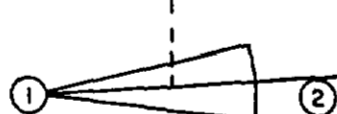
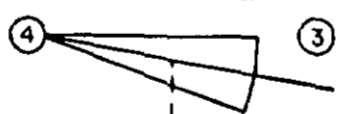
WIRING BASIC SWITCH (SAME POLARITY MUST BE OBSERVED FOR EACH POLE)

SINGLE POLE

MOMENTARY



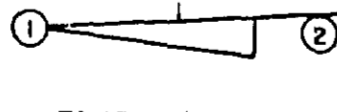
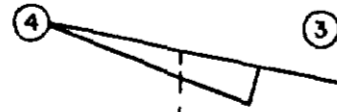
MAINTAINED



SINGLE POLE

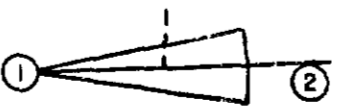
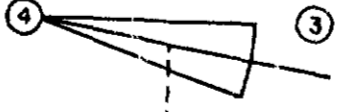
ELECTRONIC DUTY

MOMENTARY



ELECTRONIC DUTY

MAINTAINED

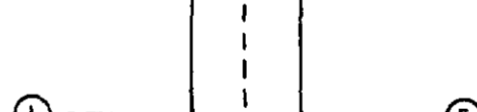
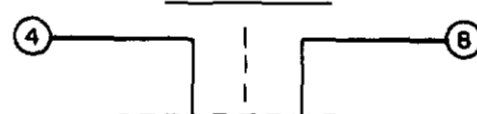


DIRECT ACTING

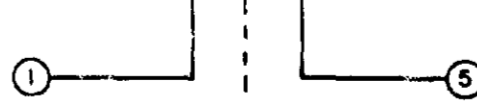
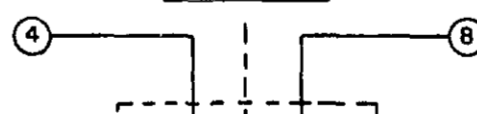


DOUBLE POLE

MOMENTARY



MAINTAINED



DIRECT ACTING (ALSO RATED AT A.C. 10 AMP CONT.)

D.C. VOLTAGE	MAKE AND BREAK AMPS	
	INDUCTIVE	RESISTIVE
30	4.2	4.2
120	1.1	1.1
240	.55	.55

NOTES:
1 - ALL UNITS AVAILABLE WITH
FLOUROSILICONE AND VITON SEALS

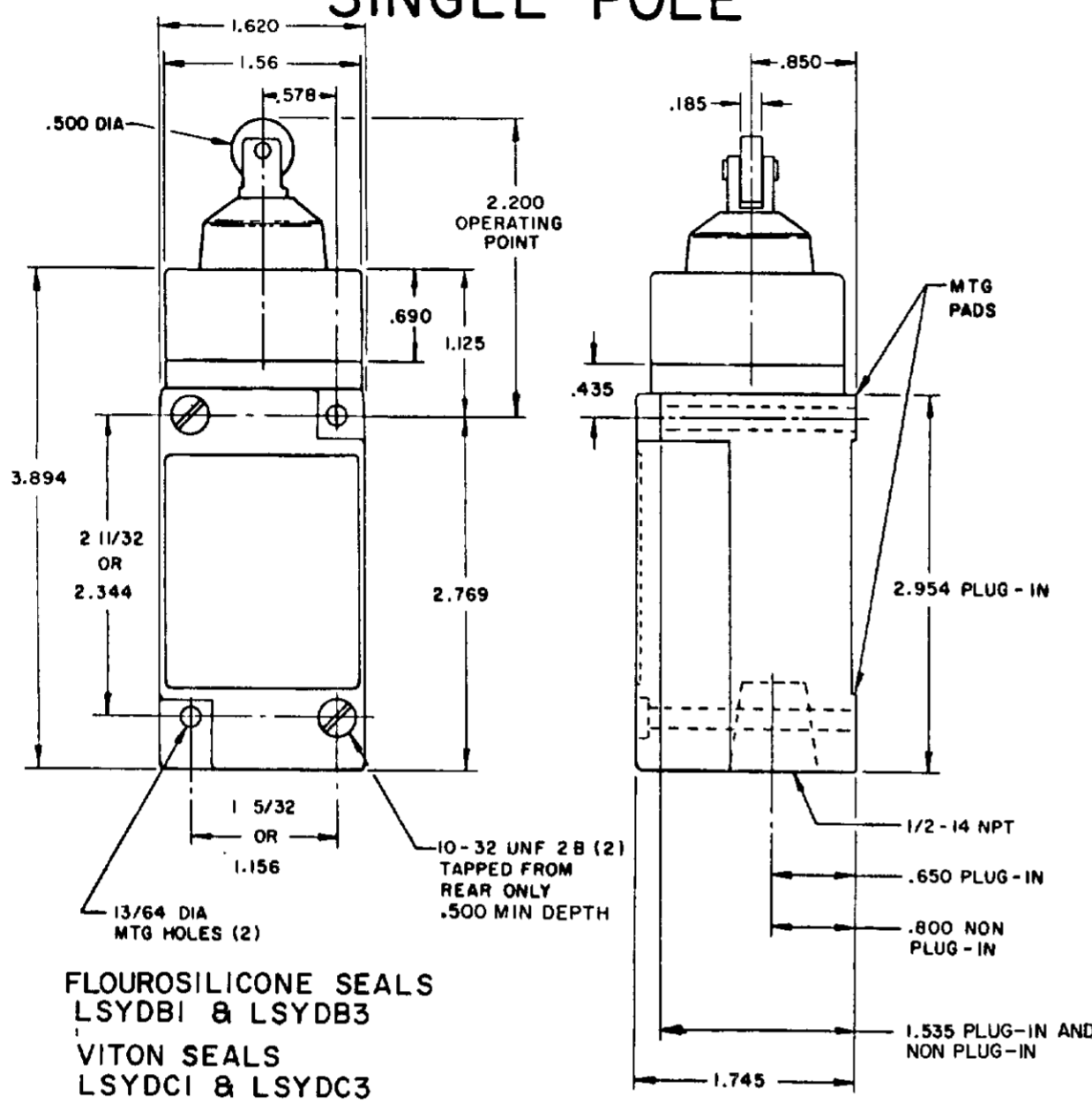
2 DIFFERENTIAL TRAVEL ON ALL
OPERATING CHARACTERISTICS NOT
APPLICABLE

MICRO SWITCH
 FREEMONT, ILL. U.S.A.
 A DIVISION OF HONEYWELL
 FID. REG. CO. 3193
 SWITCH - ENCLOSED
 CHART 1
 LSY SERIES
 CATALOG LISTING

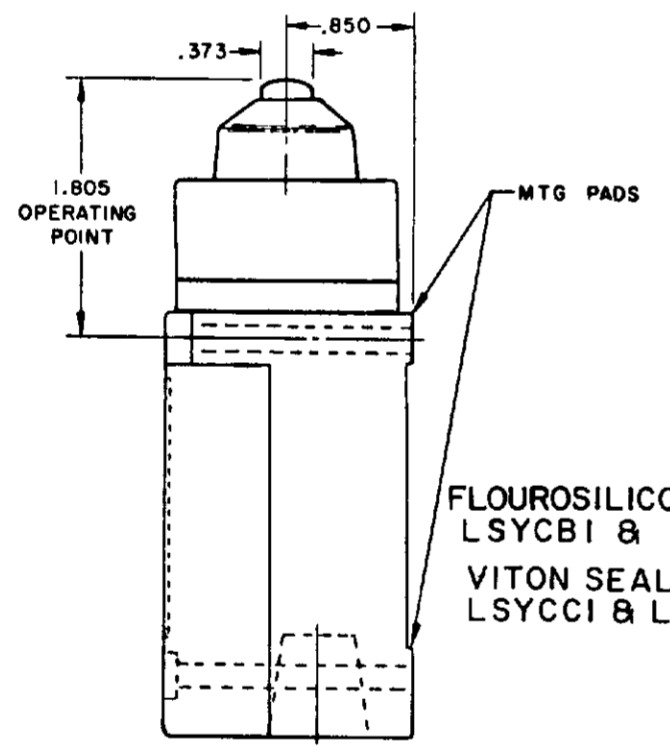
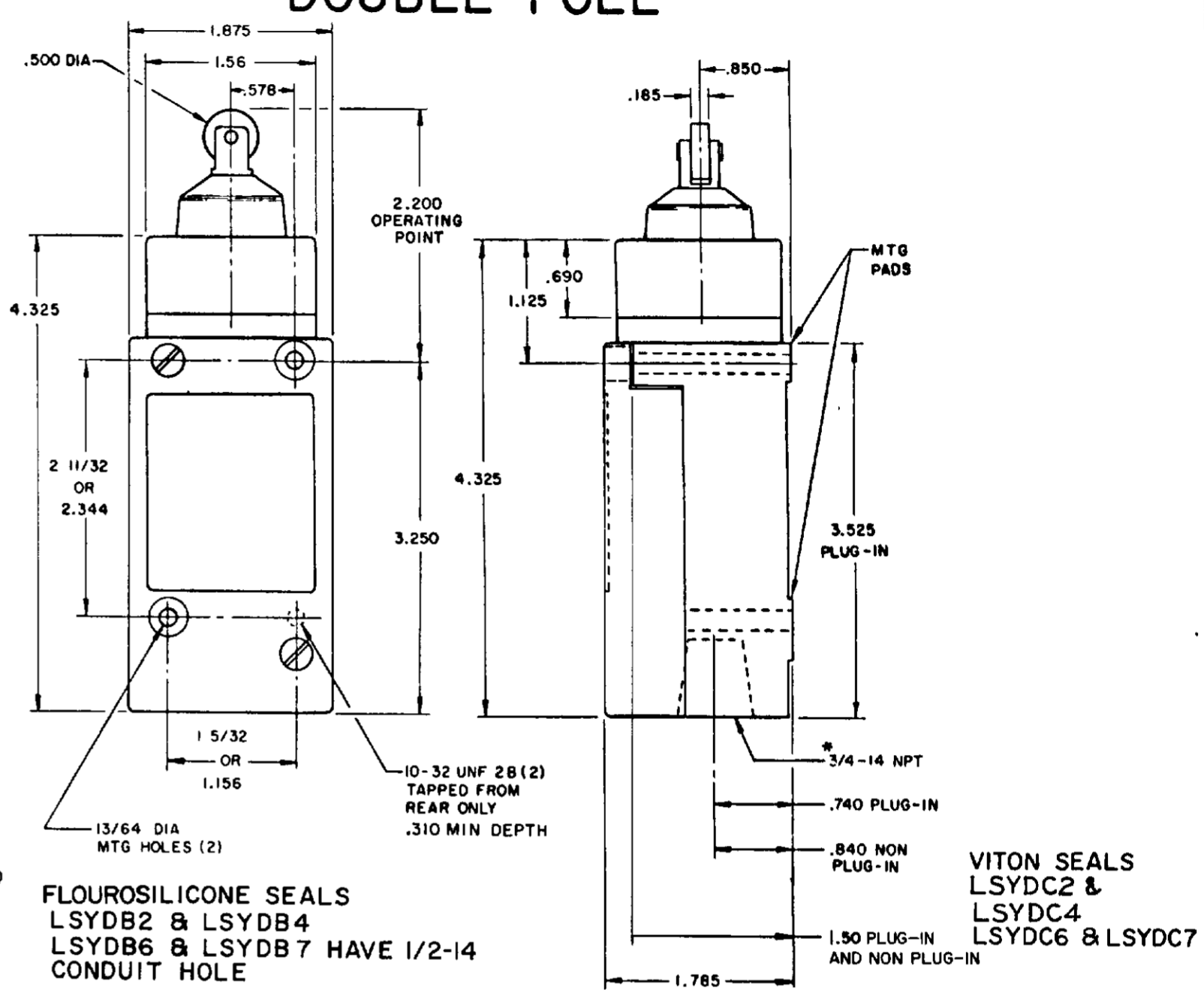
SCALE NONE
 DO NOT SCALE PRINT

PLUNGER TYPE TOP

SINGLE POLE



DOUBLE POLE

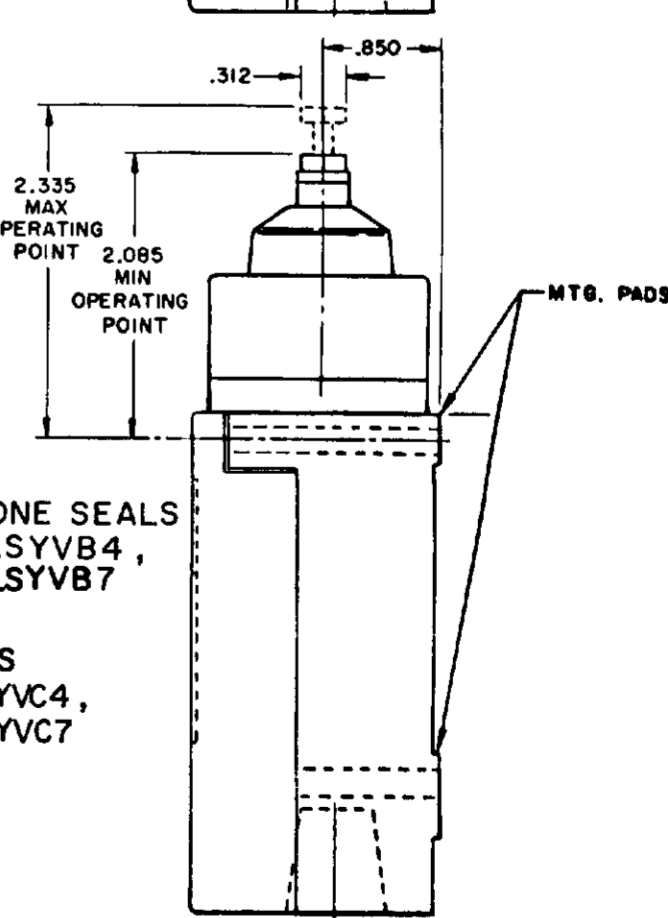
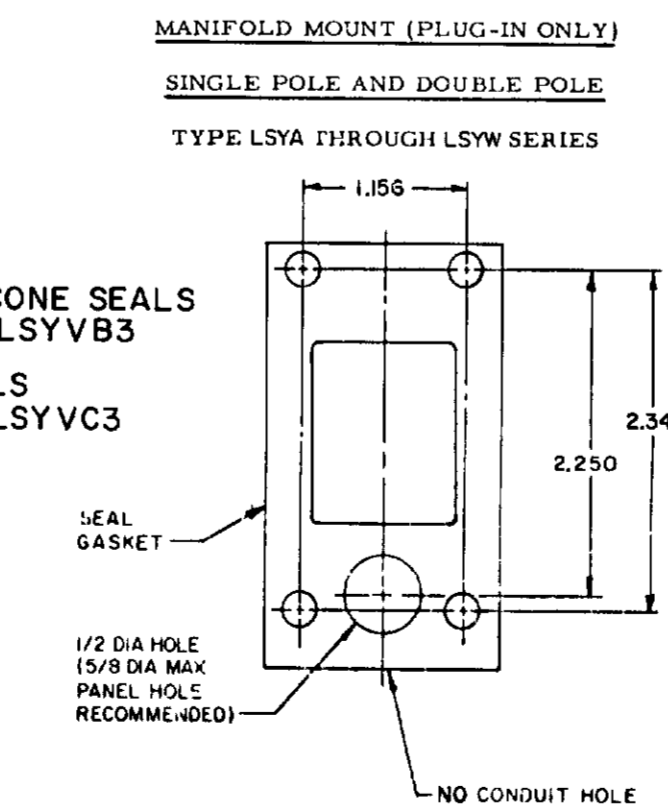
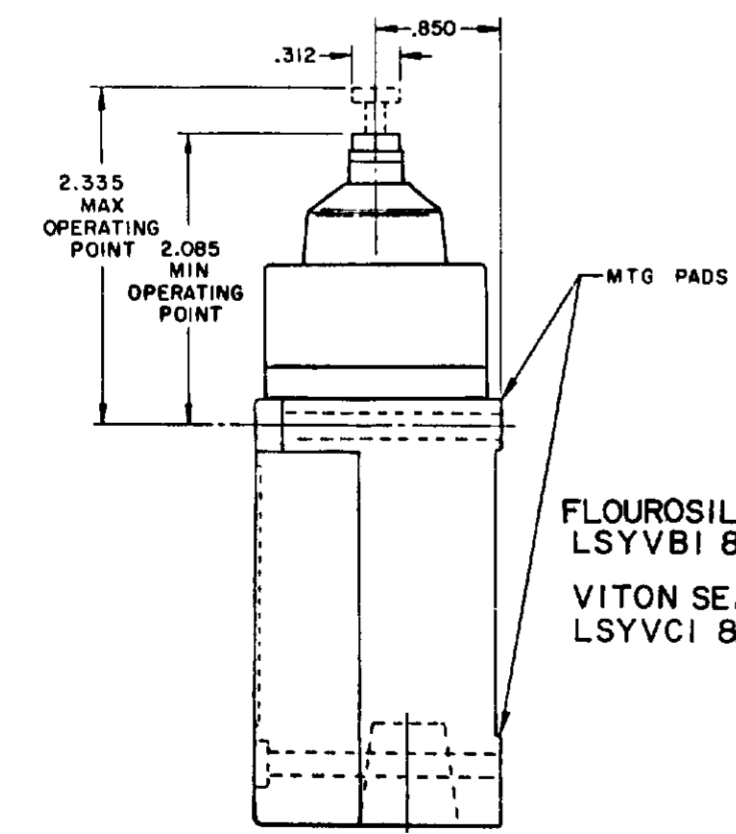
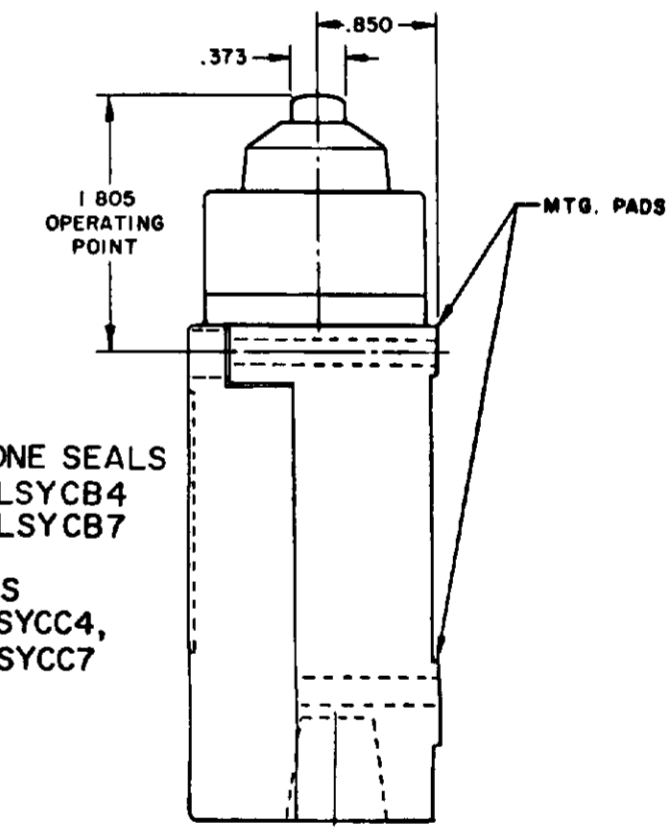


**SINGLE POLE PLUG-IN ONLY
WITH INDICATOR LAMP**

180 X .400 LENS
(FLUSH WITH HOUSING)

120 LAMP VOLTAGE -
LSYCB 5, LSYDB5, LSYVB5
LSYCC 5, LSYDC5, LSYVC5

240 LAMP VOLTAGE -
LSYCB8, LSYDB8, LSYVB8
LSYCC8, LSYDC8, LSYVC8



MICRO SWITCH
THIS DRAWING GOVERNS A PROPRIETARY ITEM AND IS THE PROPERTY OF MICRO SWITCH A DIVISION OF HONEYWELL. THIS DRAWING IS NOT TO BE COPIED OR USED WITHOUT THE APPROVAL OF MICRO SWITCH.
RASTER
DRAWN
GJW 24 AUG 94
CHECK JAF 12 SEP 94
CHECK AK 19 APR 05
CHECK PSR 10 JUL 07
RELEASE NO CO-78499
REPLACES LSY SERIES

SWITCH - ENCLOSED

LSY SERIES
CHART 1

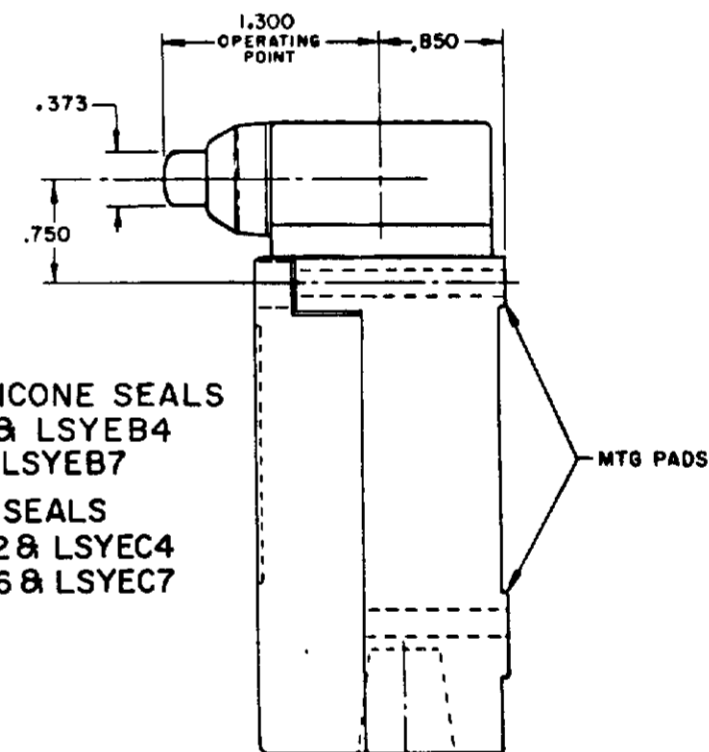
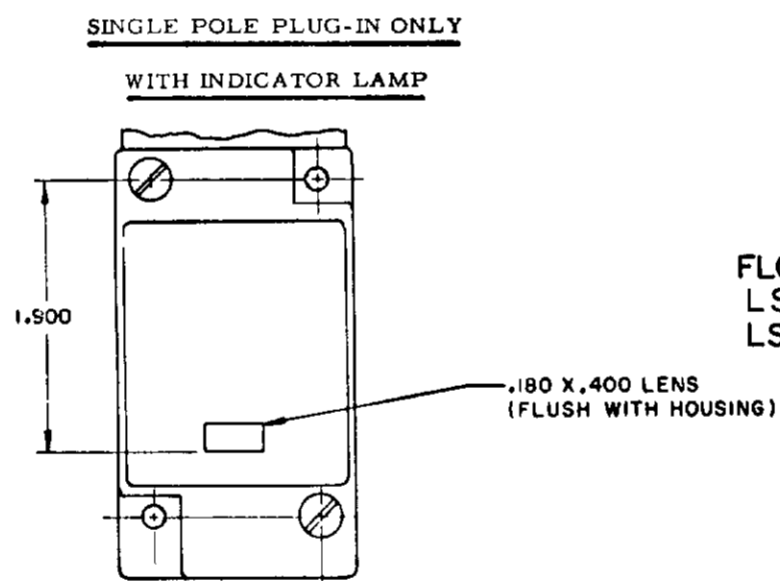
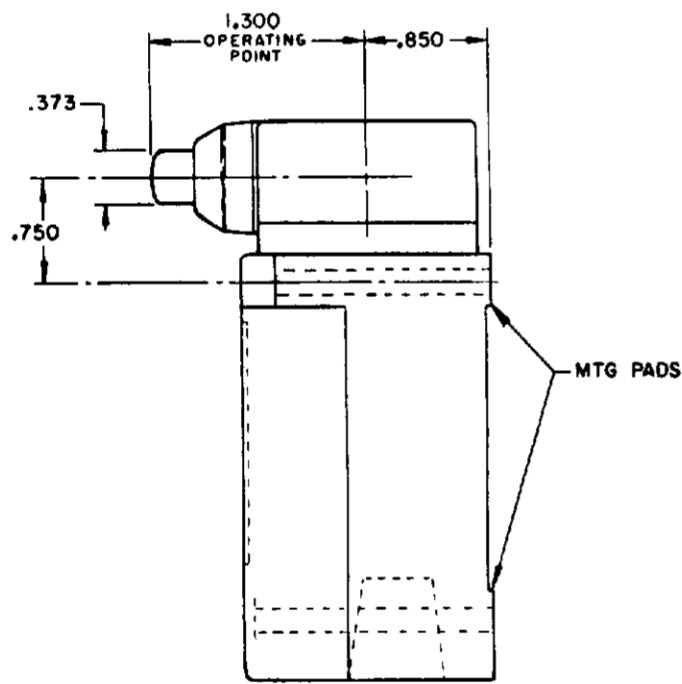
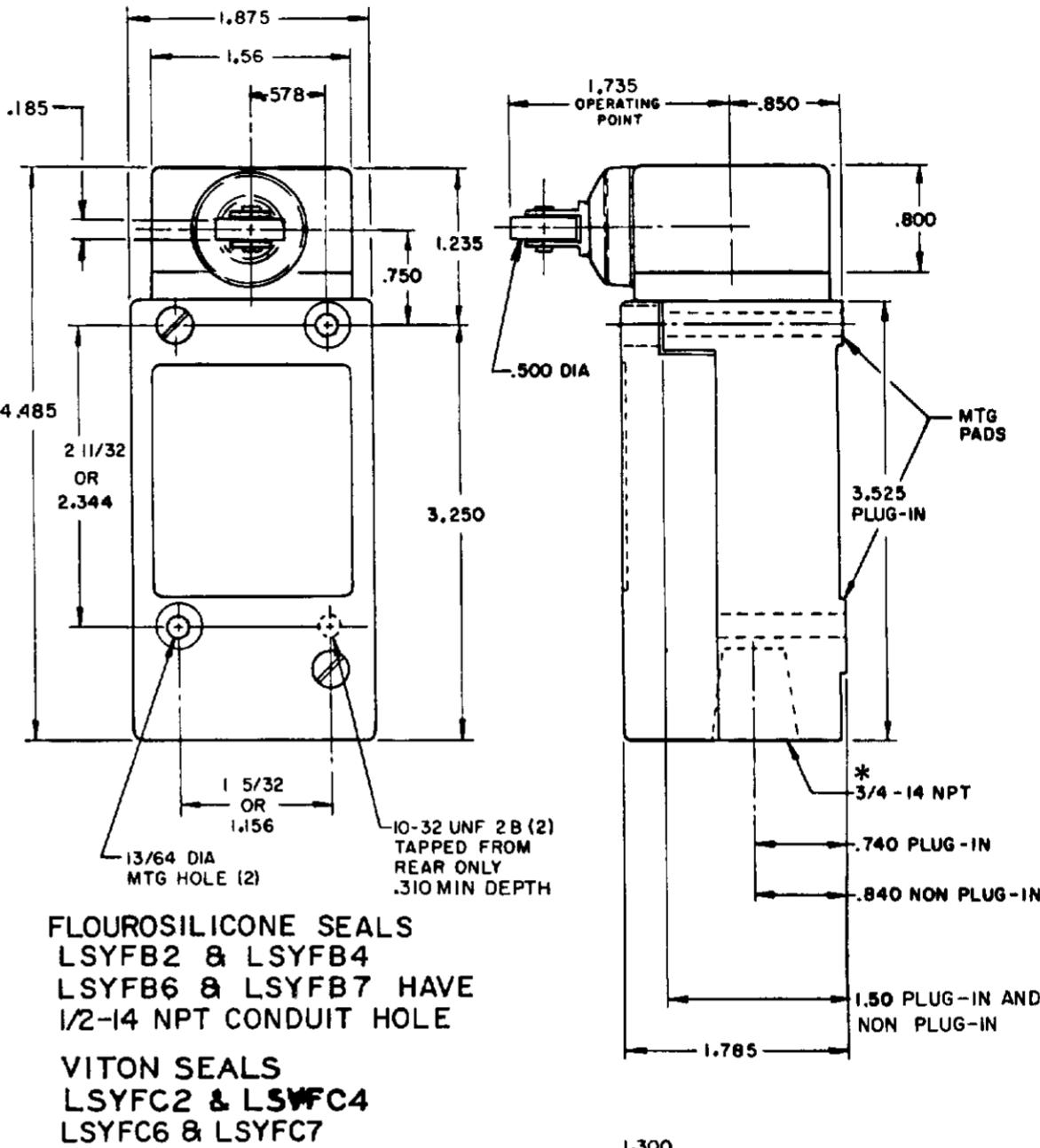
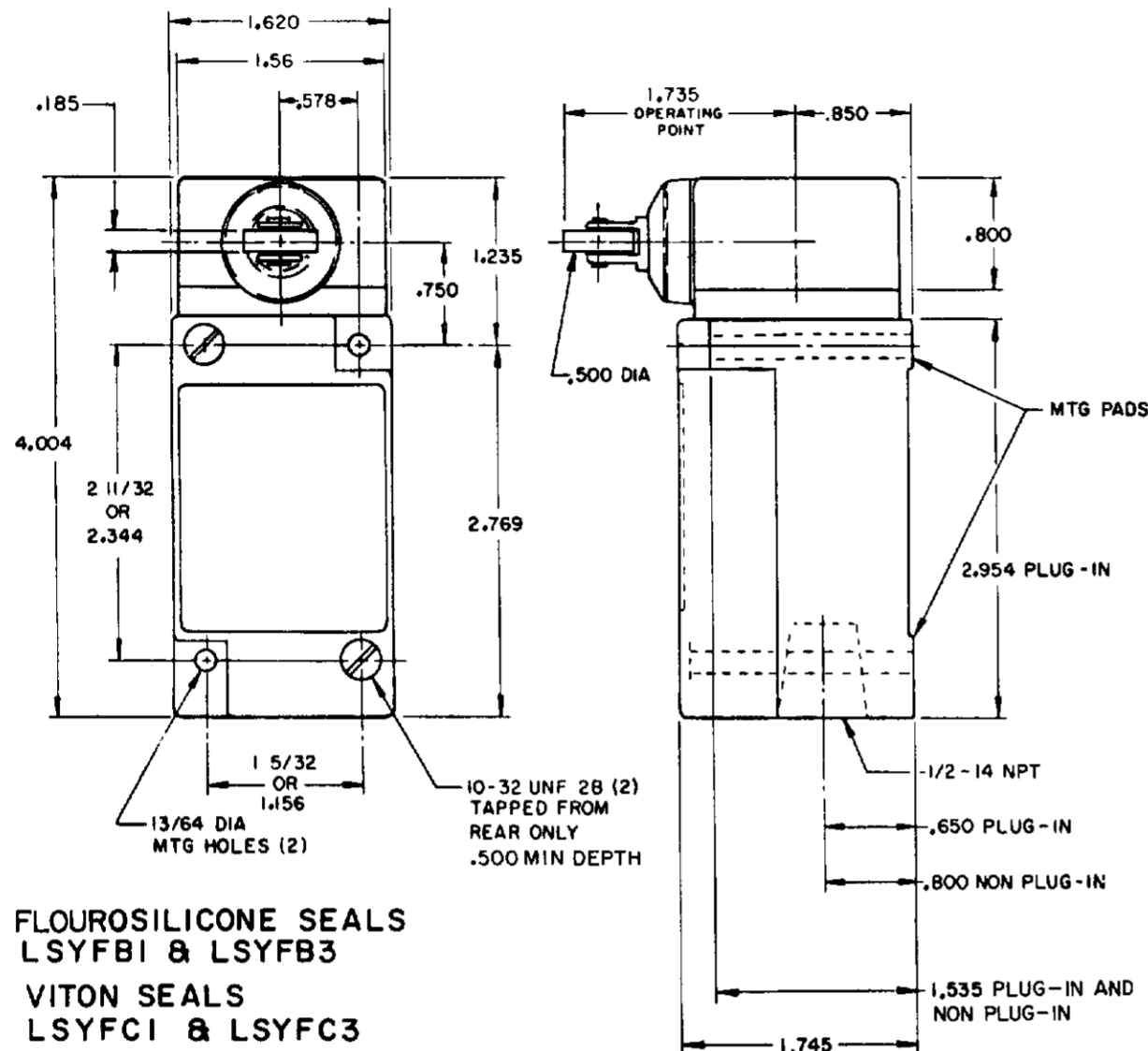
SCALE NONE
DO NOT SCALE PRINT

NOTES:
1 - ALL UNITS AVAILABLE WITH
FLUOROSILICONE AND VITON SEALS

SIDE PLUNGER TYPE

SINGLE POLE

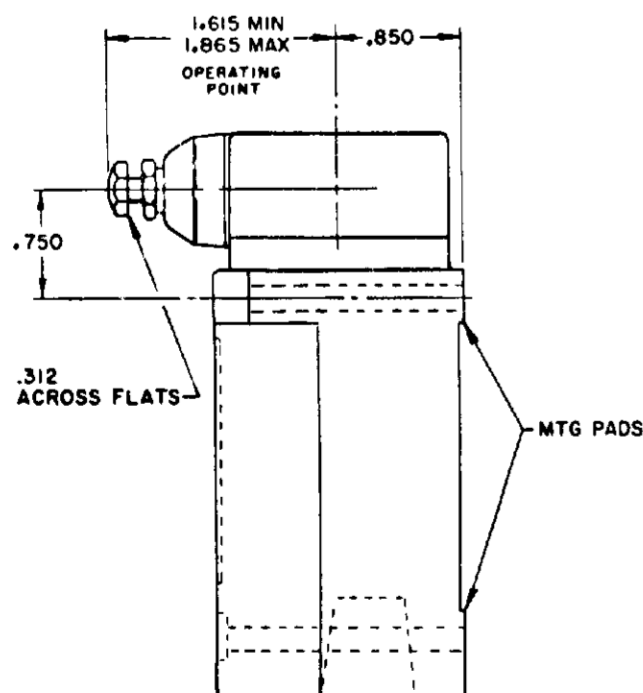
DOUBLE POLE



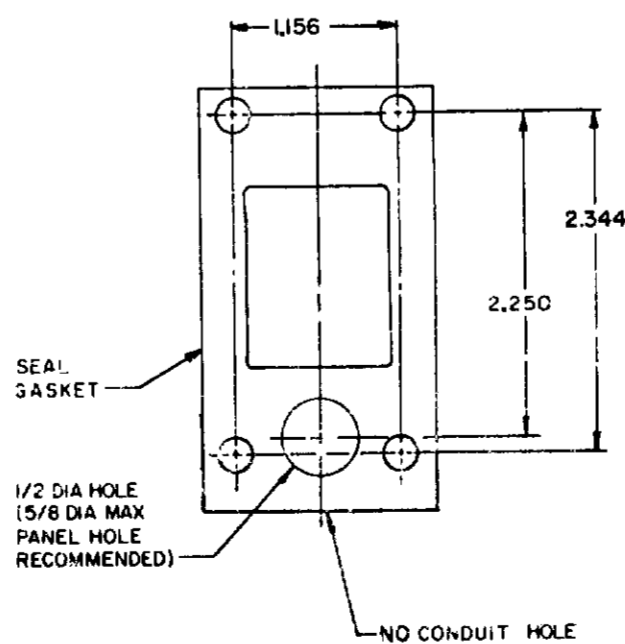
FLOUROSILICONE SEALS
 LSYEB1 & LSYEB3
 VITON SEALS
 LSYEC1 & LSYEC3

120 LAMP VOLTAGE -
 LSYFB5, LSYEB5, LSYWB5
 LSYFC5, LSYEC5, LSYWC5

240 LAMP VOLTAGE -
 LSYFB8, LSYEB8, LSYWB8
 LSYFC8, LSYEC8, LSYWC8



MANIFOLD MOUNT (PLUG-IN ONLY)
 SINGLE POLE AND DOUBLE POLE
 TYPE LSYA THROUGH LSYW SERIES



FLOUROSILICONE SEALS
 LSYWB2 & LSYWB4
 LSYWB6 & LSYWB7
 VITON SEALS
 LSYWC2 & LSYWC4
 LSYWC6 & LSYWC7

FLOUROSILICONE SEALS
 LSYWB1 & LSYWB3
 VITON SEALS
 LSYWC1 & LSYWC3

NOTES:
 1 - ALL UNITS AVAILABLE WITH
 FLOUROSILICONE AND VITON SEALS

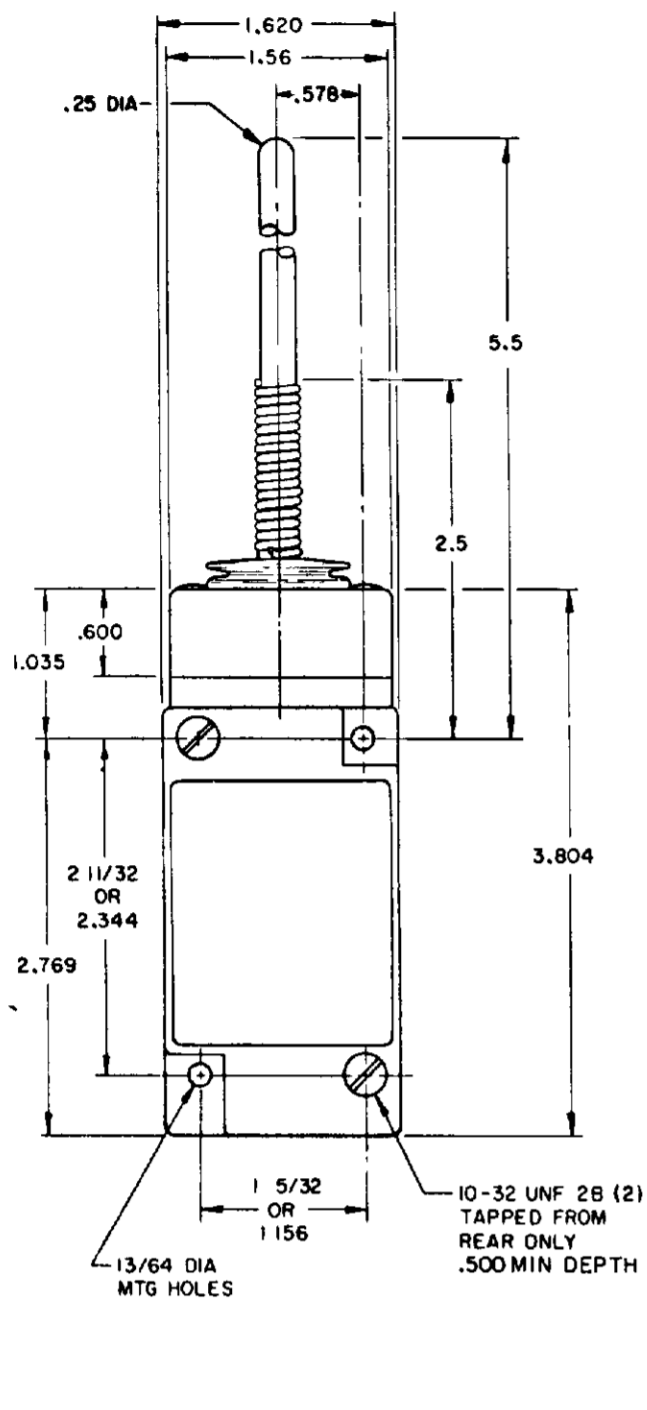
MICRO SWITCH
 SWITCH - ENCLOSED
 CHART 1
 LSY SERIES
 CATALOG LISTING
 THIS DRAWING COVERS A PROPRIETARY ITEM AND IS THE PROPERTY OF MICRO SWITCH, A DIVISION OF HONEYWELL. THIS DRAWING IS NOT TO BE COPIED OR USED WITHOUT THE APPROVAL OF MICRO SWITCH, A DIVISION OF HONEYWELL.
 MICRO SWITCH
 FREEPORT, ILLINOIS, U.S.A.
 A DIVISION OF HONEYWELL
 FED. REG. CO. PAT. 9,838

SCALE NONE
 DO NOT SCALE PRINT

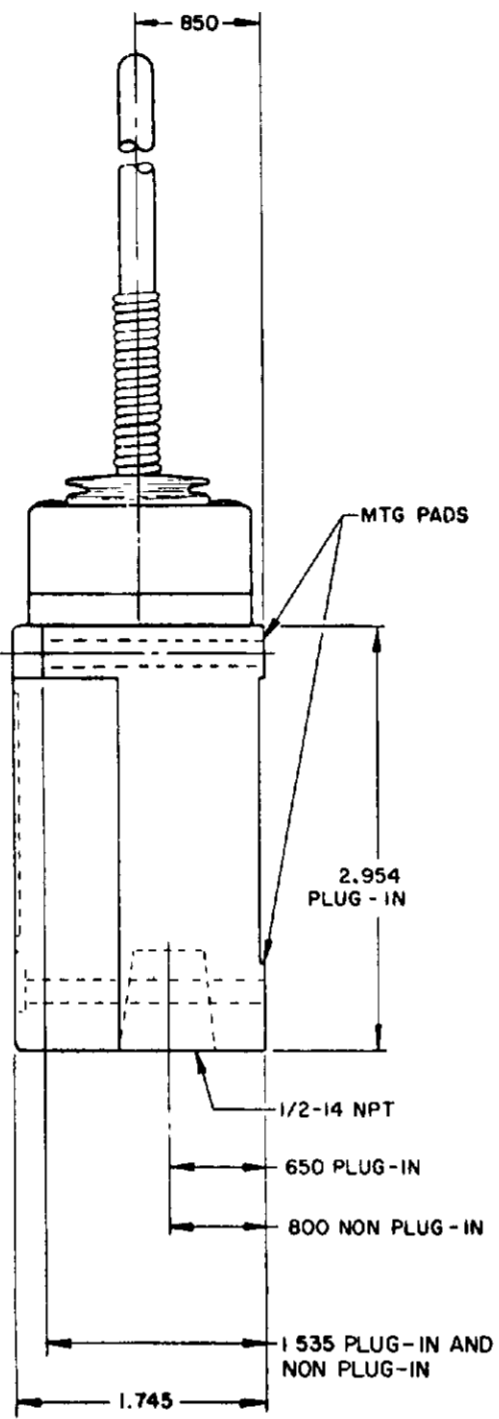
WOBBLE STICK

SINGLE POLE

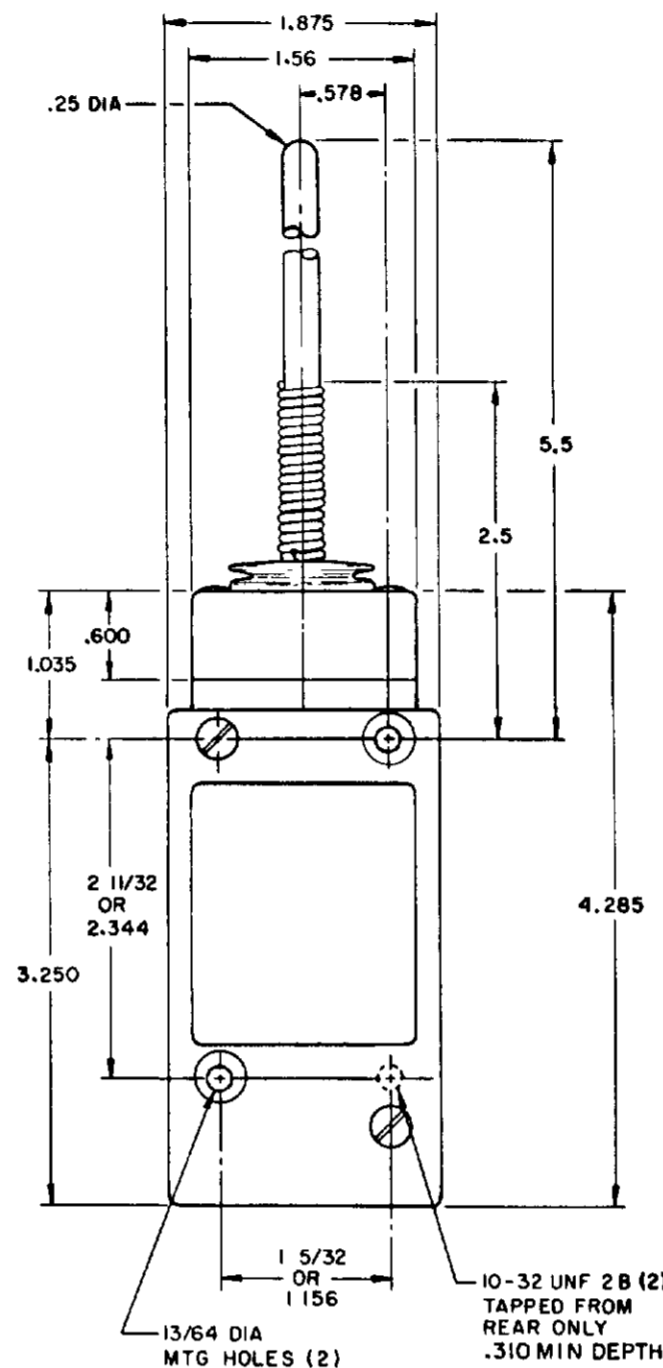
DOUBLE POLE



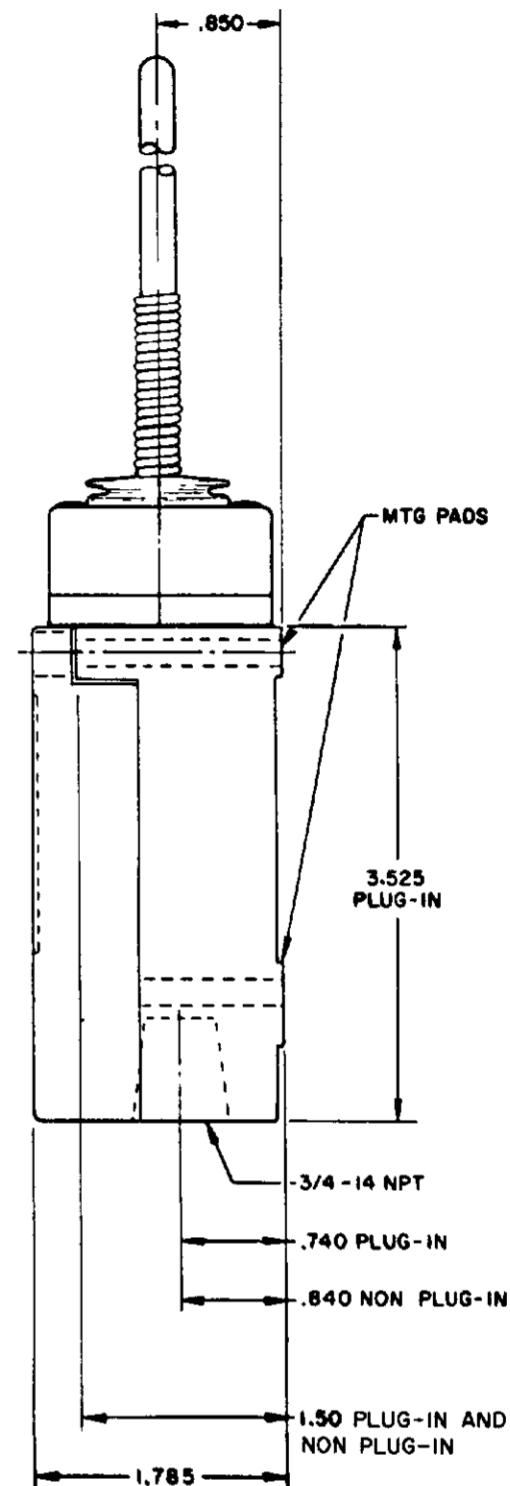
PLASTIC EXTENSION TYPE 7A ACTUATOR



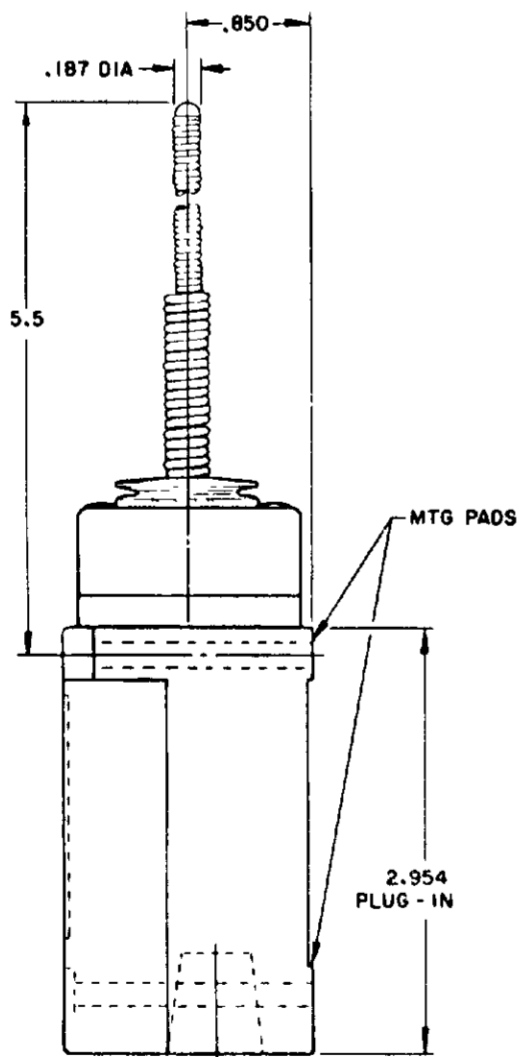
REPLACEMENT ACTUATOR LSZ 4009



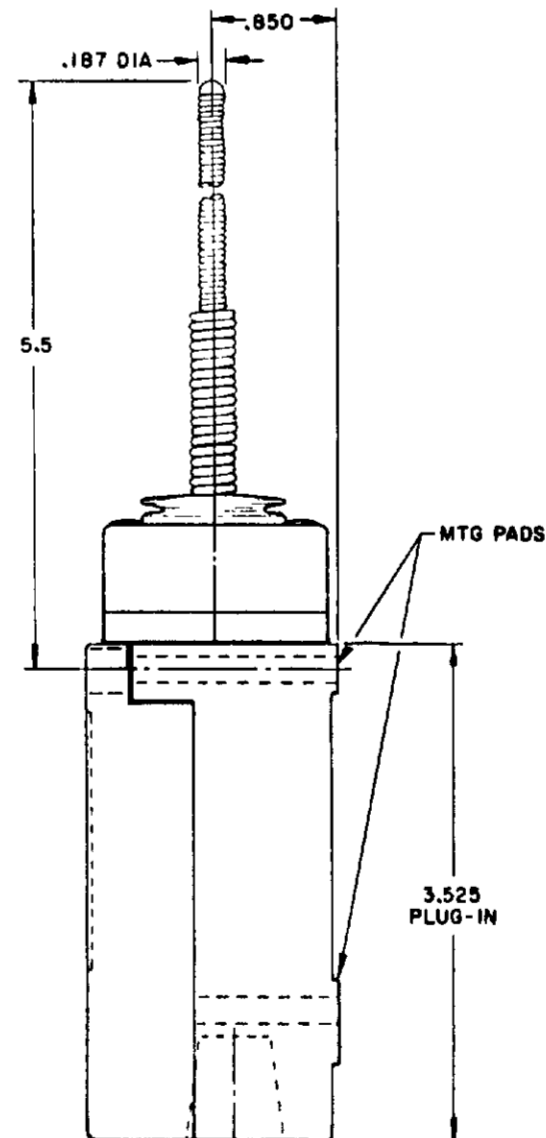
PLASTIC EXTENSION TYPE 7A ACTUATOR



REPLACEMENT ACTUATOR LSZ 4011

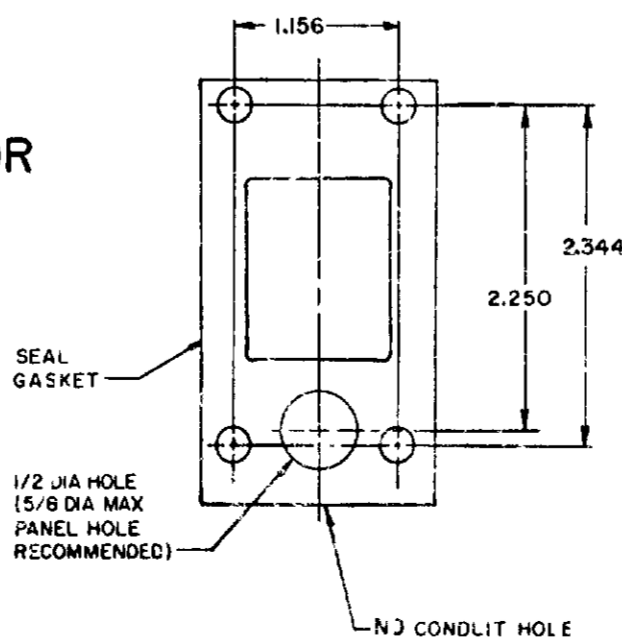


CABLE EXTENSION TYPE 7N ACTUATOR



CABLE EXTENSION TYPE 7N ACTUATOR

MANIFOLD MOUNT (PLUG-IN ONLY)
SINGLE POLE AND DOUBLE POLE
TYPE LSYA THROUGH LSYW SERIES



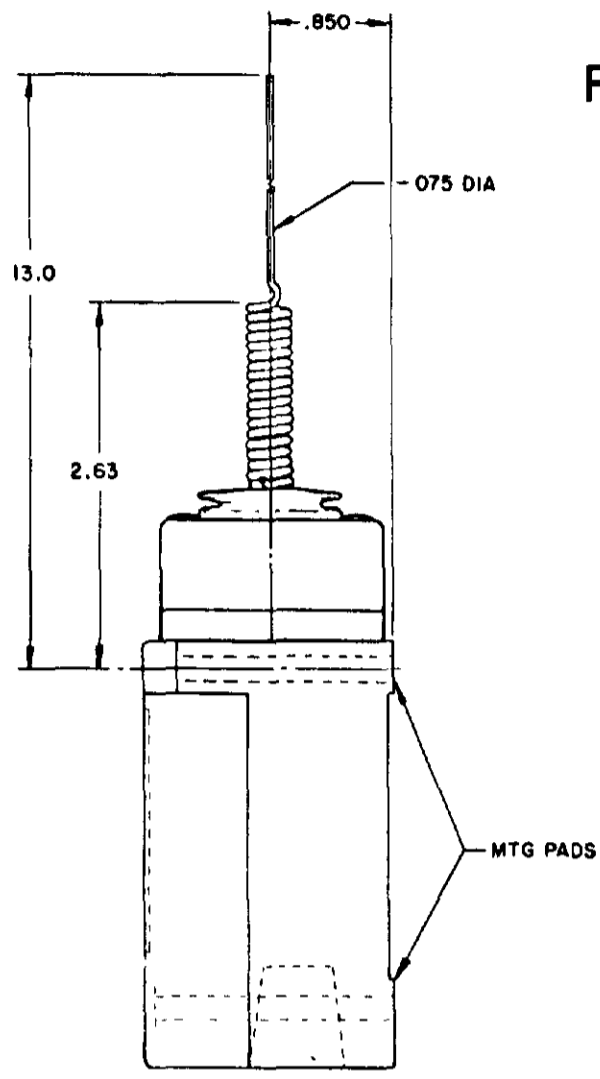
NOTES:
1 - ALL UNITS AVAILABLE WITH FLOUROSILICONE AND VITON SEALS

MICRO SWITCH
FREERPORT ILLINOIS U.S.A.
A DIVISION OF HONEYWELL
780 MFG. CODE 8188

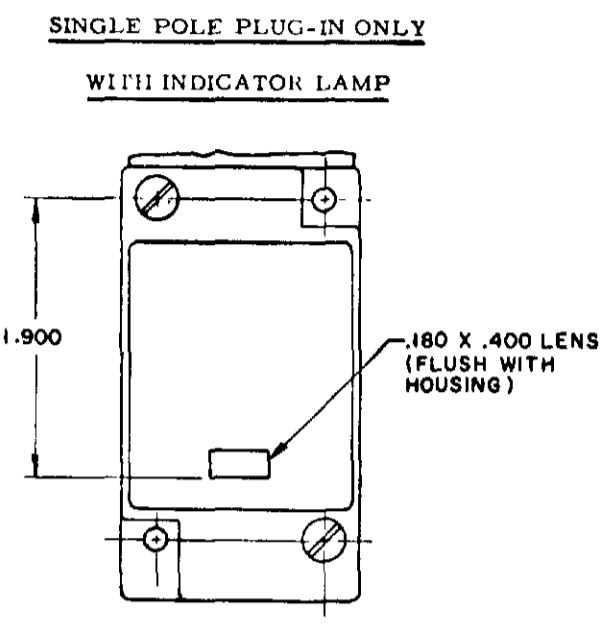
SWITCH-ENCLOSED

LSY SERIES
CATALOG LISTING
CHART 1

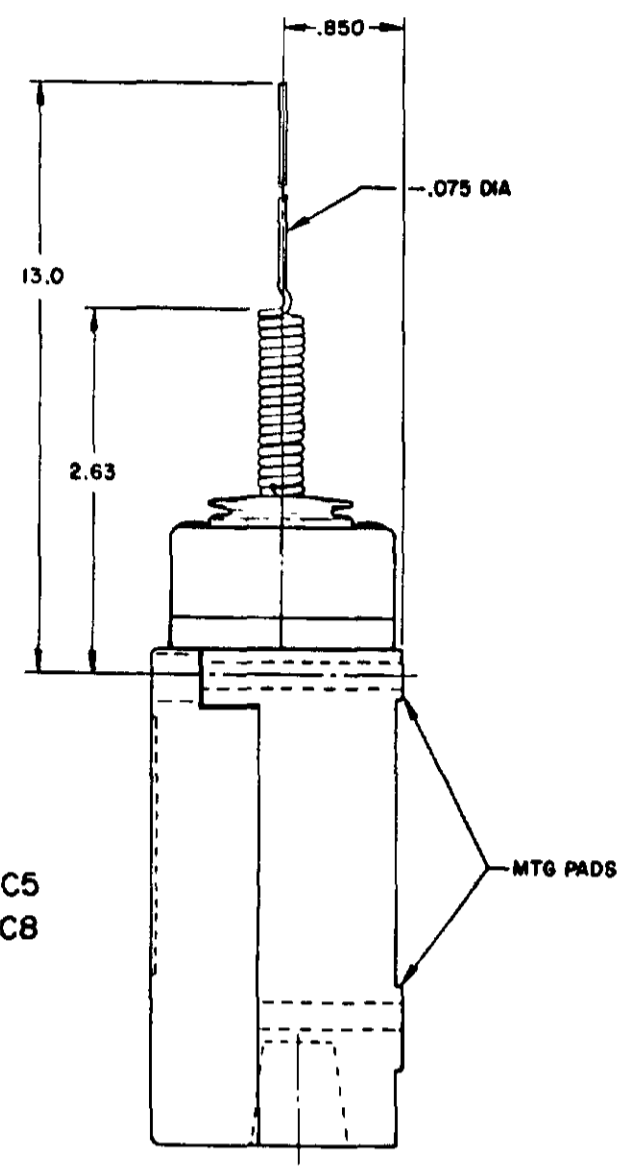
SCALE NONE
DO NOT SCALE PRINT



REPLACEMENT ACTUATOR LSZ4010



120 LAMP VOLTAGE TYPE-LSYJB5 & LSYJC5
 240 LAMP VOLTAGE TYPE-LSYJB8 & LSYJC8



WIRE EXTENSION TYPE 7M ACTUATOR

FLOUROSILICONE SEALS
 LSYJB2 & LSYJB4
 LSYJB6 & LSYJB7 HAVE 1/2-14 NPT CONDUIT HOLE
 VITON SEALS LSYJC2 & LSYJC4
 LSYJC6 & LSYJC7 HAVE 1/2-14 NPT CONDUIT HOLE

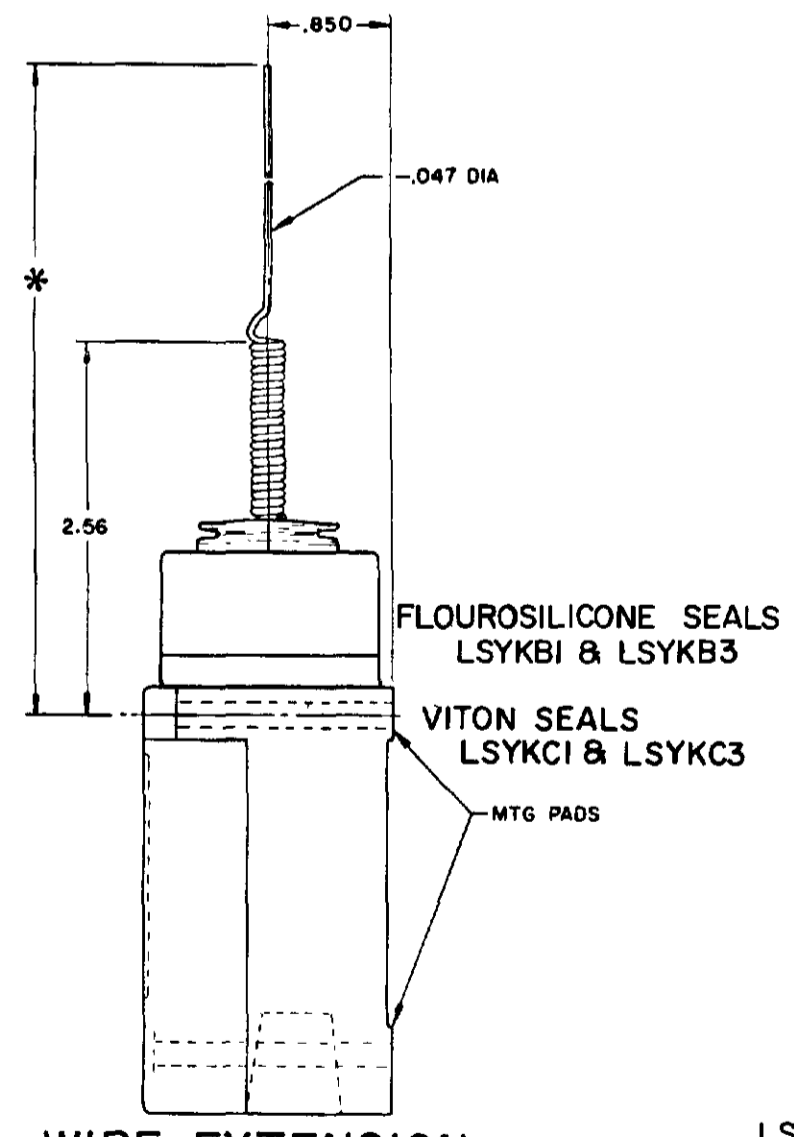
WIRE EXTENSION TYPE 7M ACTUATOR

FLOUROSILICONE SEALS
 LSYJB1 & LSYJB3
 VITON SEALS
 LSYJC1 & LSYJC3

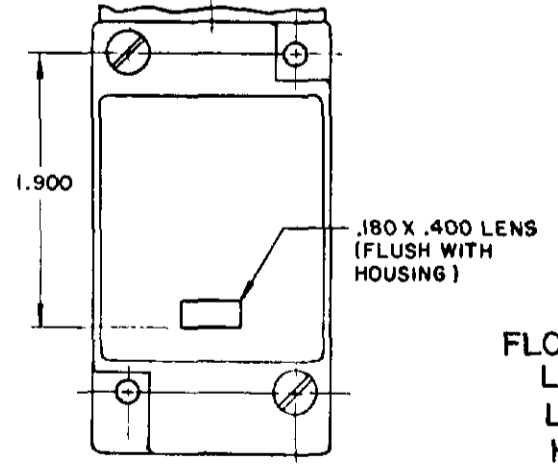
REPLACEMENT ACTUATOR LSZ 4010

CAT WHISKER

SINGLE POLE



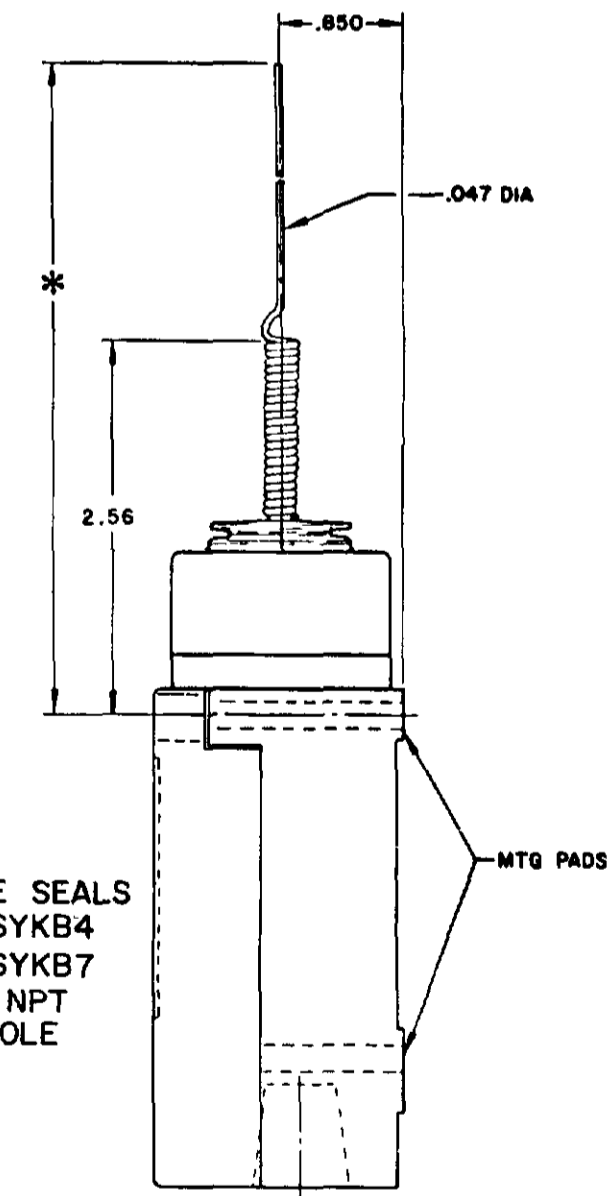
SINGLE POLE PLUG-IN ONLY
 WITH INDICATOR LAMP



FLOUROSILICONE SEALS
 120 LAMP VOLTAGE
 LSYKB5 CAT WHISKER LSYBB5 TOP ROTARY
 240 LAMP VOLTAGE
 LSYKB8 CAT WHISKER LSYBB8 TOP ROTARY

VITON SEALS
 120 LAMP VOLTAGE
 LSYKC5 CAT WHISKER LSYBC5 TOP ROTARY
 240 LAMP VOLTAGE
 LSYKC8 CAT WHISKER LSYBC8 TOP ROTARY

DOUBLE POLE



FLOUROSILICONE SEALS
 LSYKB2 & LSYKB4
 LSYKB6 & LSYKB7
 HAVE 1/2-14 NPT
 CONDUIT HOLE

WIRE EXTENSION REPLACEMENTS

*TYPE 8 A ACTUATOR 5.5 IN. - LSZ 4012
 TYPE 8 B ACTUATOR 7.5 IN. - LSZ 4013
 TYPE 8 C ACTUATOR 5.5 IN. - LSZ 4014

WIRE EXTENSION
 *TYPE 8 A ACTUATOR 5.5 IN.
 TYPE 8 B ACTUATOR 7.5 IN.
 TYPE 8 C COIL ACTUATOR 5.5 IN

PRETRAVEL (APPROX) IN. RADIUS	CAT WHISKER			WOBBLE STICK		
	5/12" COIL	5/12" WIRE	7/12" WIRE	ROD	CABLE	WIRE
	2	2	4.5	1.0	1.5	4.0
OPERATING FORCE-OZ (MAX)	7.0	5.0	3.0	10.0	7.0	5.0

NOTE-
 1 - ALL UNITS AVAILABLE WITH
 FLOUROSILICONE AND VITON SEALS

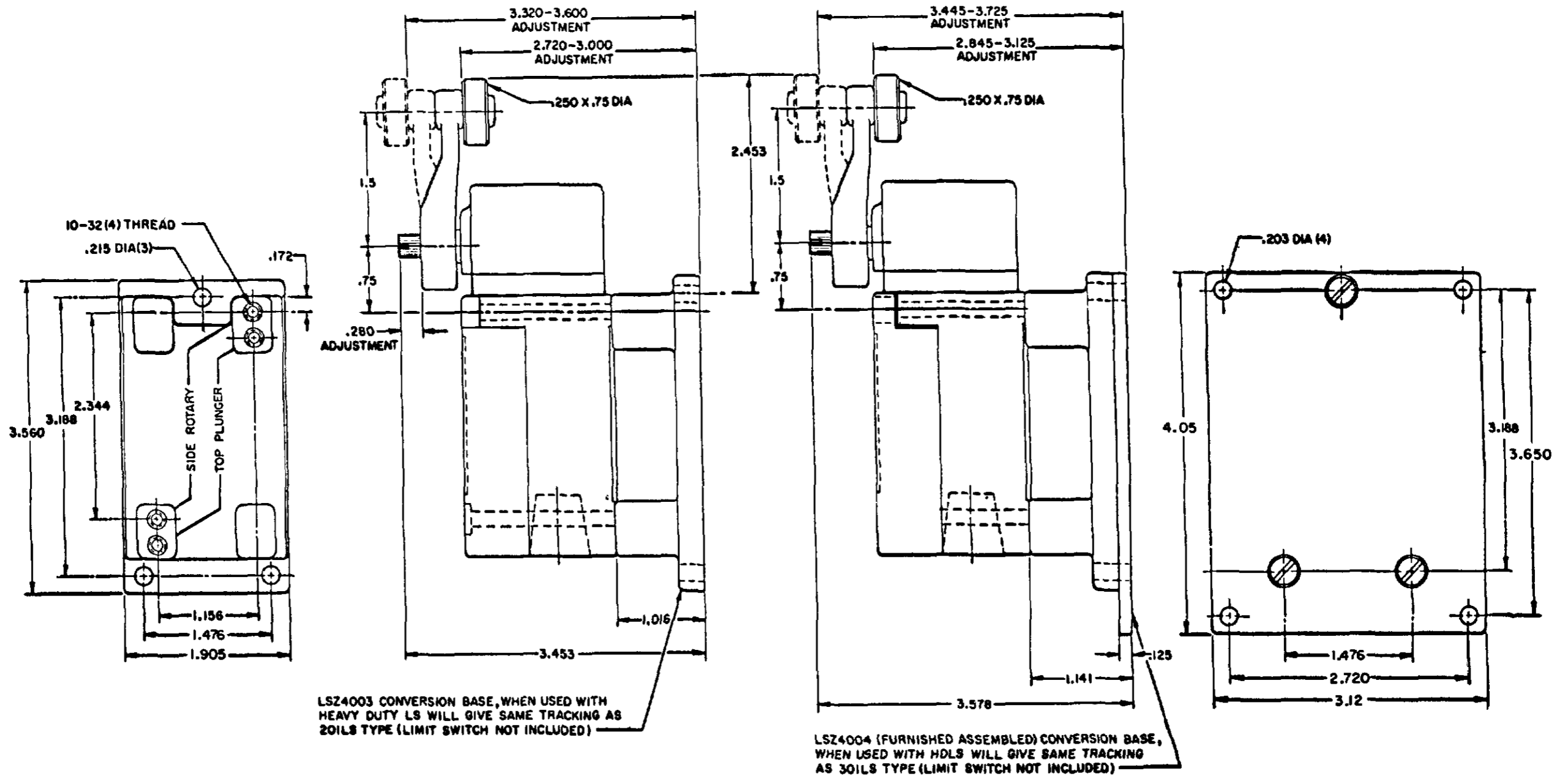
MICRO SWITCH
 THIS DRAWING COVERS A PROPRIETARY ITEM AND IS THE PROPERTY OF MICRO SWITCH A DIVISION OF HONEYWELL. THIS DRAWING IS NOT TO BE COPIED OR USED WITHOUT THE APPROVAL OF MICRO SWITCH.
 MICRO SWITCH
 FREEPORT ILLINOIS U.S.A.
 A DIVISION OF HONEYWELL
 REG. U.S. PAT. & TM. OFF.
SWITCH - ENCLOSED
 LSY SERIES
 CHART 1

SCALE NONE
 DO NOT SCALE PRINT

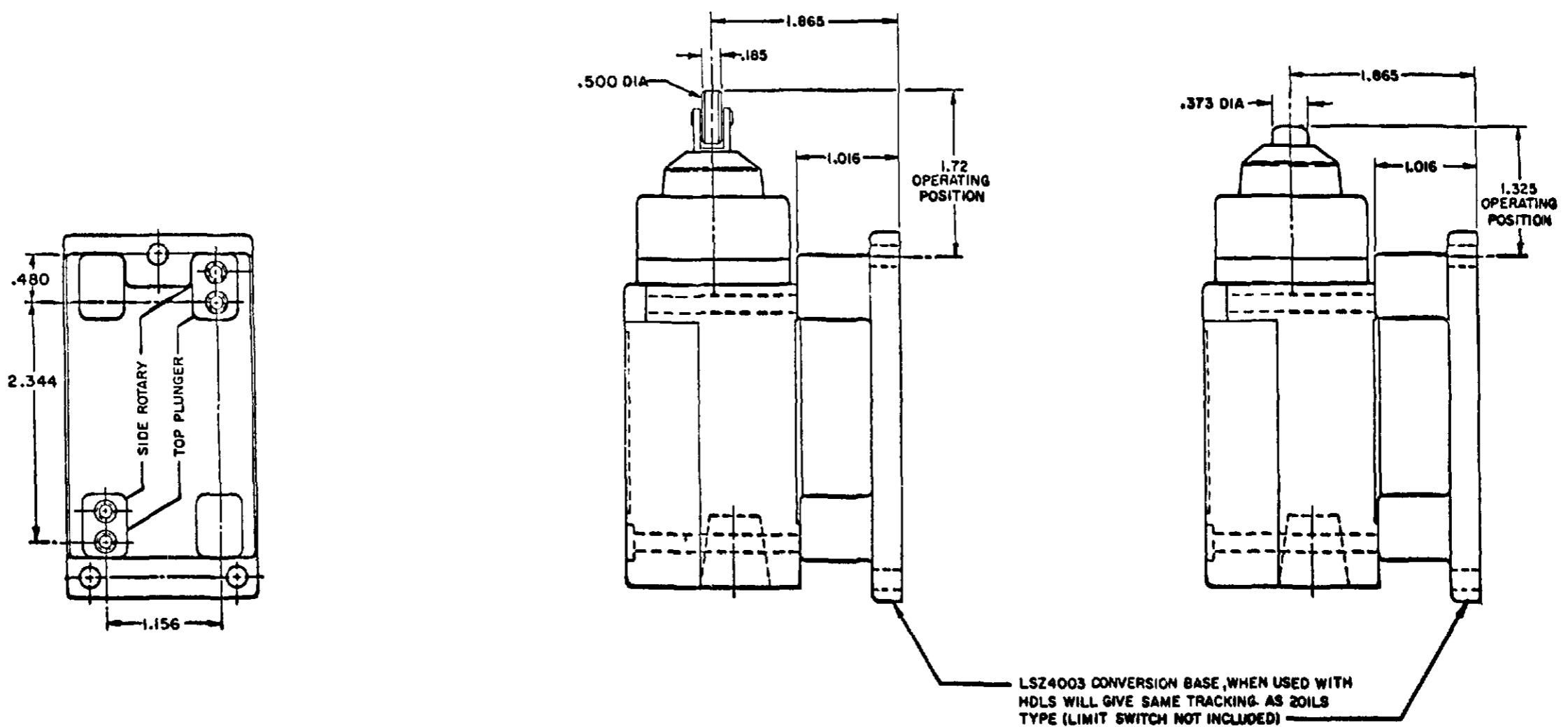
CONVERSION BASES

SINGLE POLE (SIDE ROTARY) LSZ 4003

DOUBLE POLE (SIDE ROTARY) LSZ4004



SINGLE POLE TOP PLUNGER LSZ4003



MICRO SWITCH
 A DIVISION OF HONEYWELL
 PREPARED IN ILLINOIS U.S.A.
 F.D. MFG. CODE 8188

THIS DRAWING GOVERNS A PROPRIETARY ITEM AND IS THE PROPERTY OF MICRO SWITCH, A DIVISION OF HONEYWELL. THIS DRAWING IS NOT TO BE COPIED OR USED WITHOUT THE APPROVAL OF MICRO SWITCH.

SWITCH - ENCLOSED

LSY SERIES
 CATALOG LISTING
 CHART 1

SCALE FULL
 DO NOT SCALE PRINT



Компания «ЭлектроПласт» предлагает заключение долгосрочных отношений при поставках импортных электронных компонентов на взаимовыгодных условиях!

Наши преимущества:

- Оперативные поставки широкого спектра электронных компонентов отечественного и импортного производства напрямую от производителей и с крупнейших мировых складов;
- Поставка более 17-ти миллионов наименований электронных компонентов;
- Поставка сложных, дефицитных, либо снятых с производства позиций;
- Оперативные сроки поставки под заказ (от 5 рабочих дней);
- Экспресс доставка в любую точку России;
- Техническая поддержка проекта, помощь в подборе аналогов, поставка прототипов;
- Система менеджмента качества сертифицирована по Международному стандарту ISO 9001;
- Лицензия ФСБ на осуществление работ с использованием сведений, составляющих государственную тайну;
- Поставка специализированных компонентов (Xilinx, Altera, Analog Devices, Intersil, Interpoint, Microsemi, Aeroflex, Peregrine, Syfer, Eurofarad, Texas Instrument, Miteq, Cobham, E2V, MA-COM, Hittite, Mini-Circuits, General Dynamics и др.);

Помимо этого, одним из направлений компании «ЭлектроПласт» является направление «Источники питания». Мы предлагаем Вам помощь Конструкторского отдела:

- Подбор оптимального решения, техническое обоснование при выборе компонента;
- Подбор аналогов;
- Консультации по применению компонента;
- Поставка образцов и прототипов;
- Техническая поддержка проекта;
- Защита от снятия компонента с производства.



Как с нами связаться

Телефон: 8 (812) 309 58 32 (многоканальный)

Факс: 8 (812) 320-02-42

Электронная почта: org@eplast1.ru

Адрес: 198099, г. Санкт-Петербург, ул. Калинина, дом 2, корпус 4, литера А.