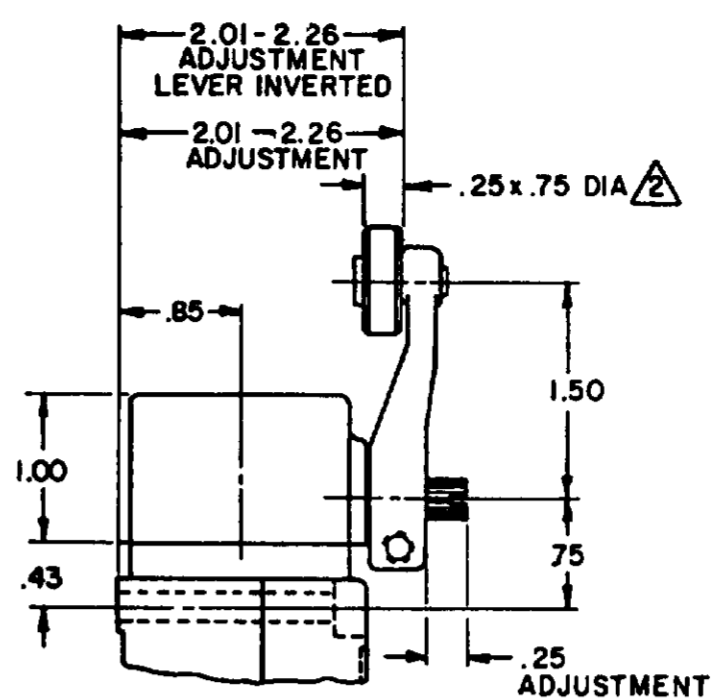
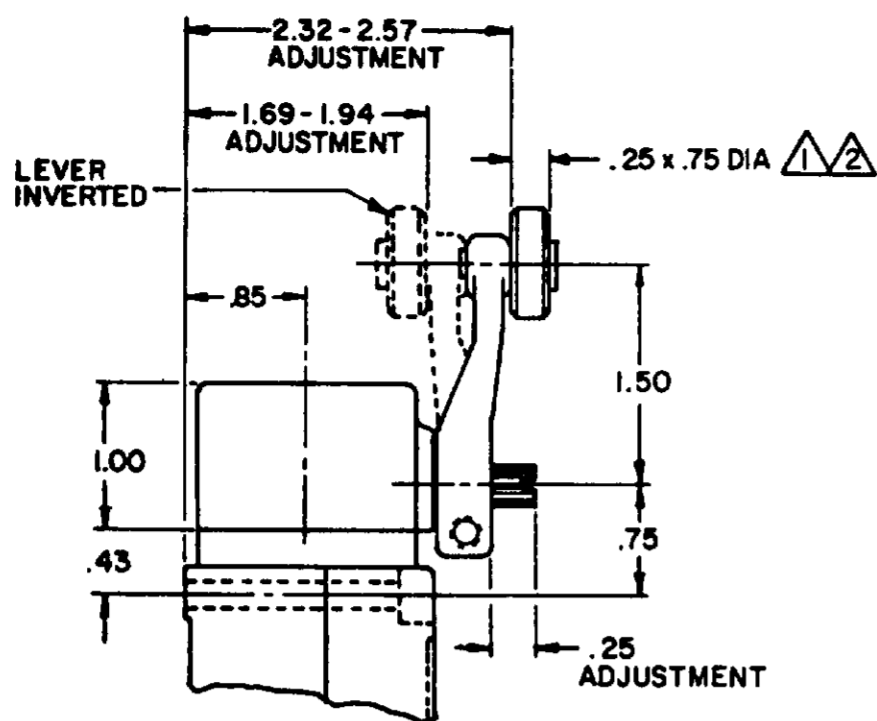
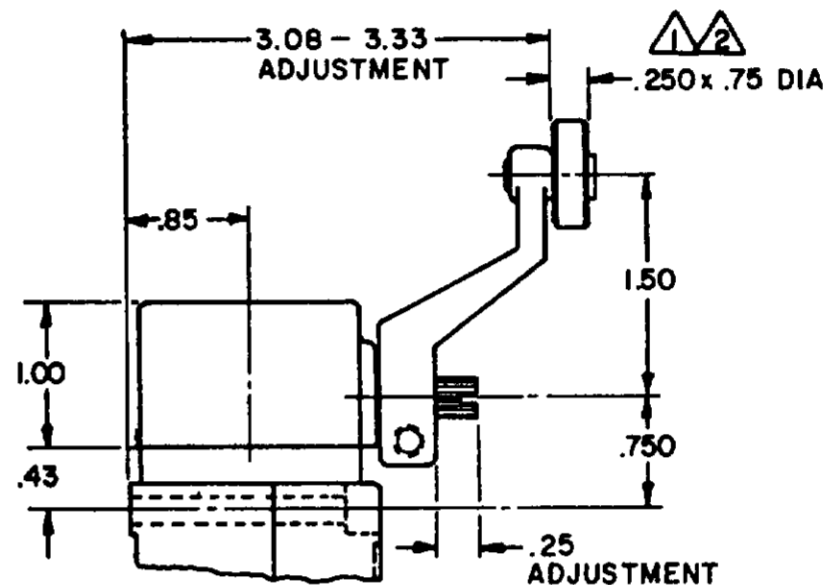
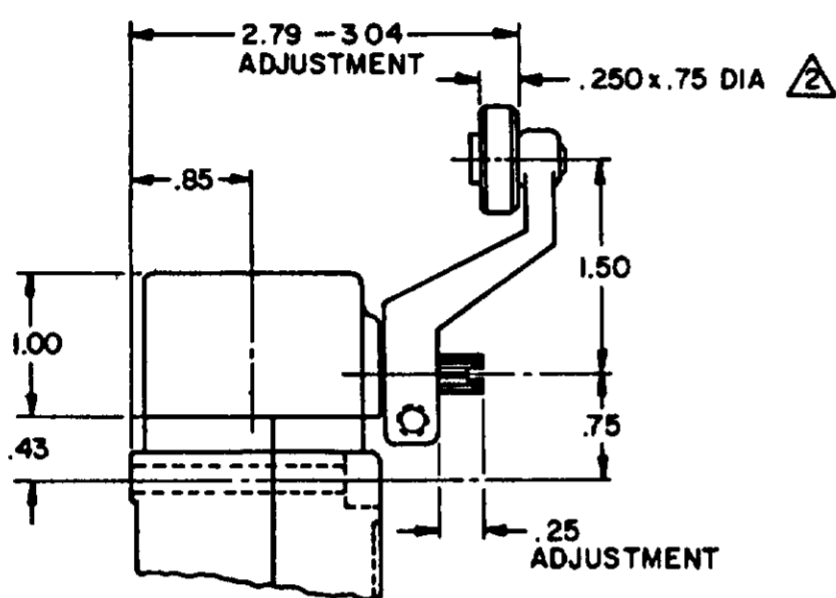


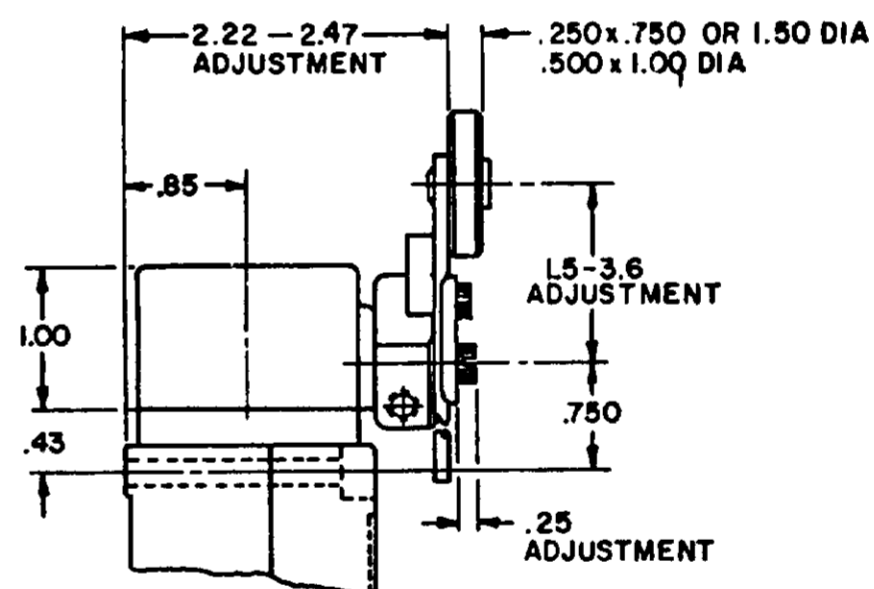
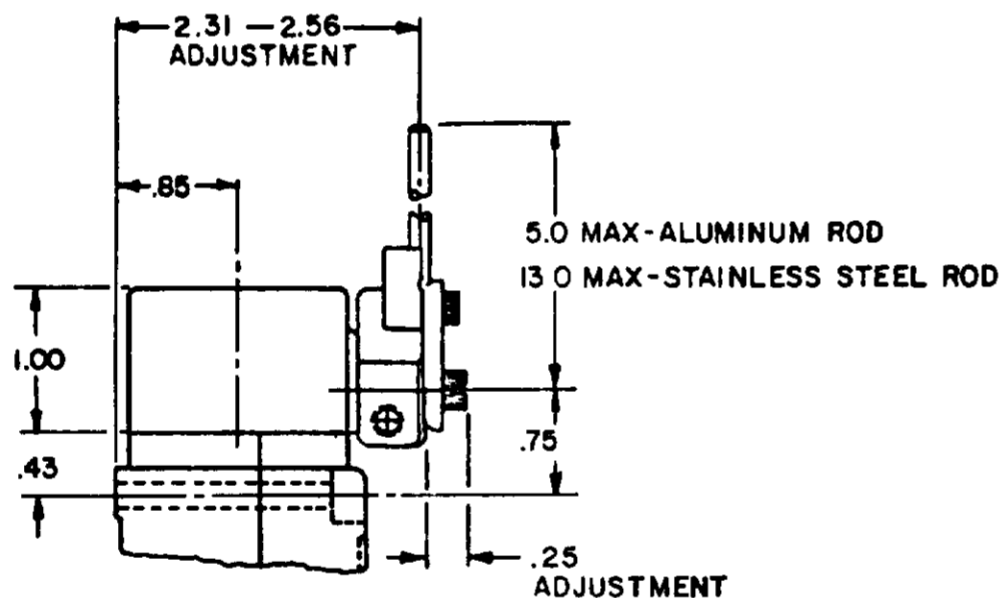
SIDE ROTARY CAM TRACKING



LSZ51 TYPE LEVERS

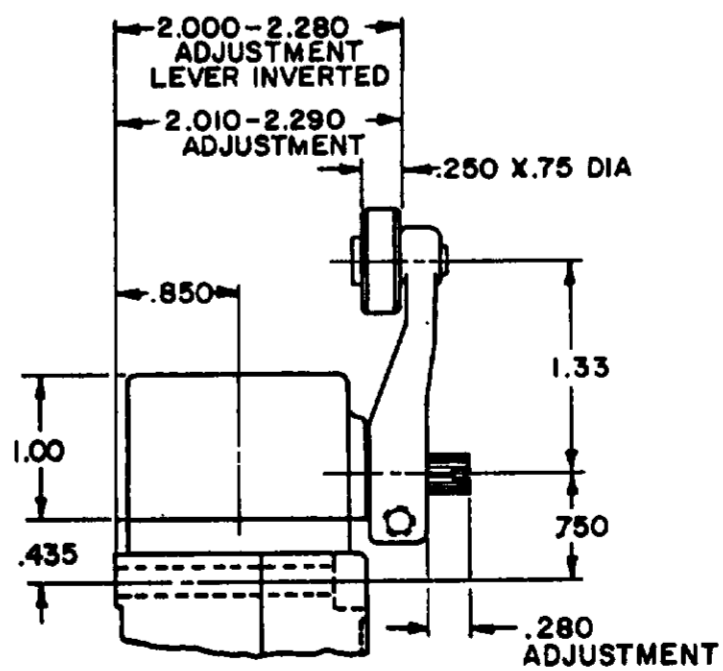
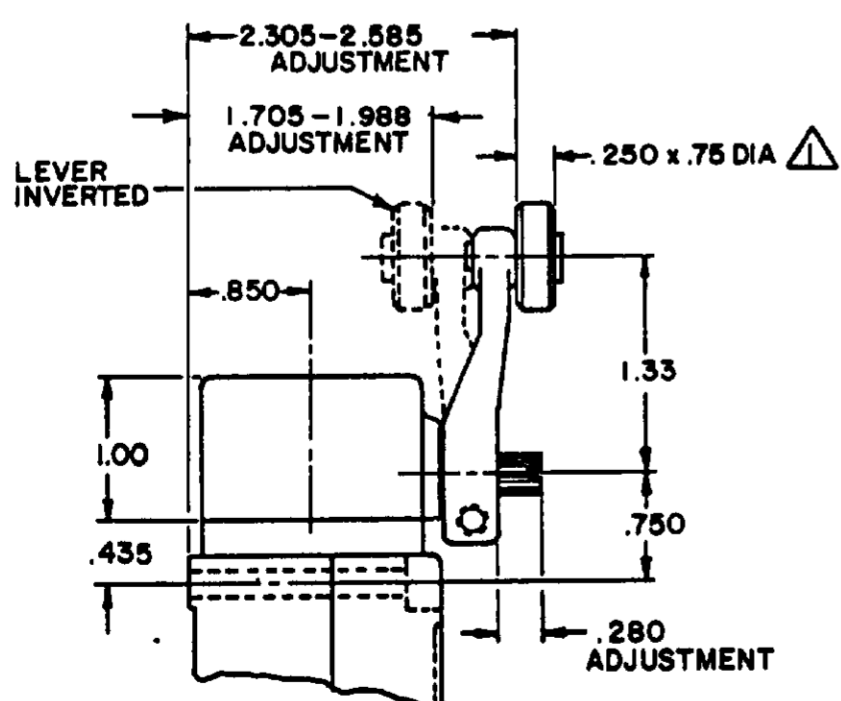


LSZ55 TYPE LEVERS



LSZ54 TYPE LEVER

LSZ52 TYPE LEVER



LSZ59 TYPE LEVERS

NOTES

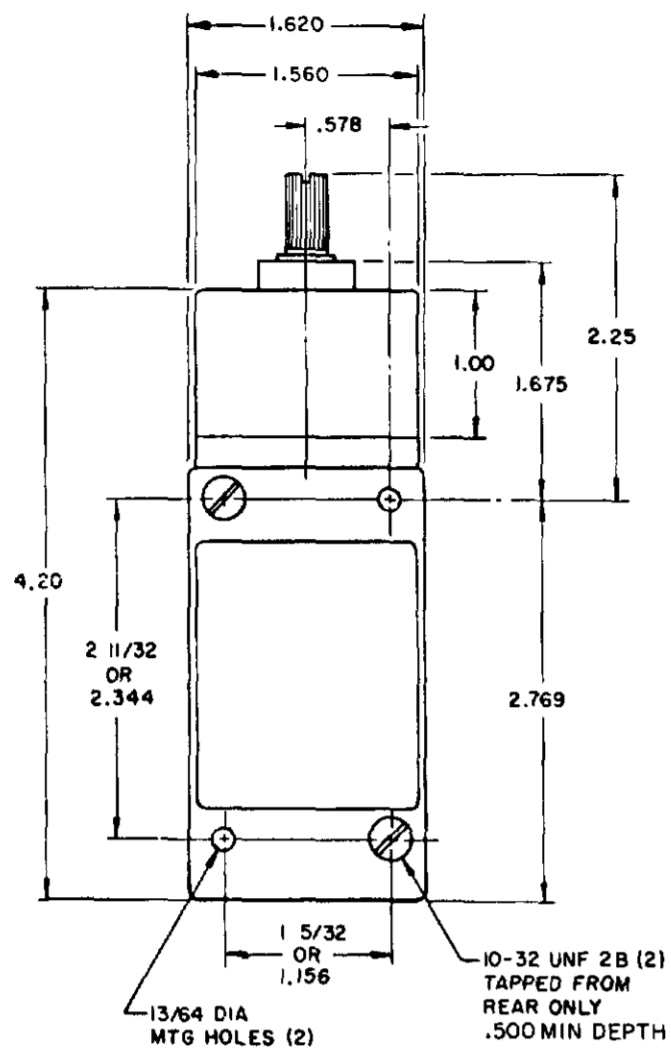
- ▲ ALSO AVAILABLE IN .250 X 1.500 DIA NYLON, BUT LEVER CANNOT BE INVERTED
- ▲ FOR ADDITIONAL ROLLER WIDTHS AND/OR DIAMETERS REFER TO (M)
- 3 - FOR ADDITIONAL TYPES OF ROLLERS AND LEVERS REFER TO LSZ CHART 1 (M)

MICRO SWITCH
 a Honeywell Division
 THIS DRAWING COVERS A PROPRIETARY ITEM AND IS THE PROPERTY OF MICRO SWITCH A DIVISION OF HONEYWELL. THIS DRAWING IS NOT TO BE COPIED OR USED WITHOUT THE APPROVAL OF MICRO SWITCH CATALOG LISTING
 CHART 1
 LSY SERIES

THIRD ANGLE PROJECTION
 SCALE NONE
 DO NOT SCALE PRINT
 UNLESS OTHERWISE SPECIFIED TOLERANCES ARE:
 ONE PLACE (.0) ± .030
 TWO PLACE (.00) ± .015
 THREE PLACE (.000) ± .005
 ANGLES ±

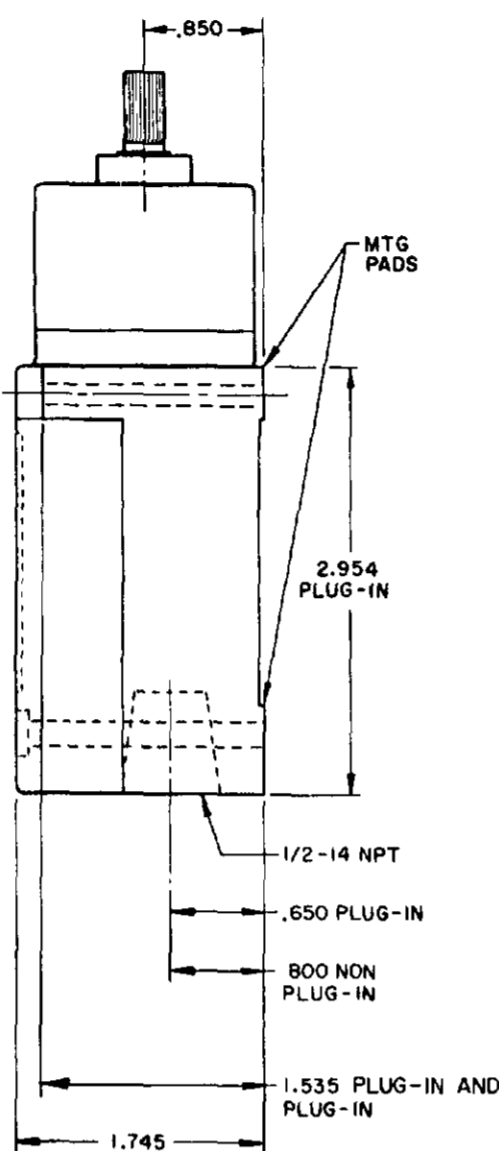
TOP ROTARY

SINGLE POLE

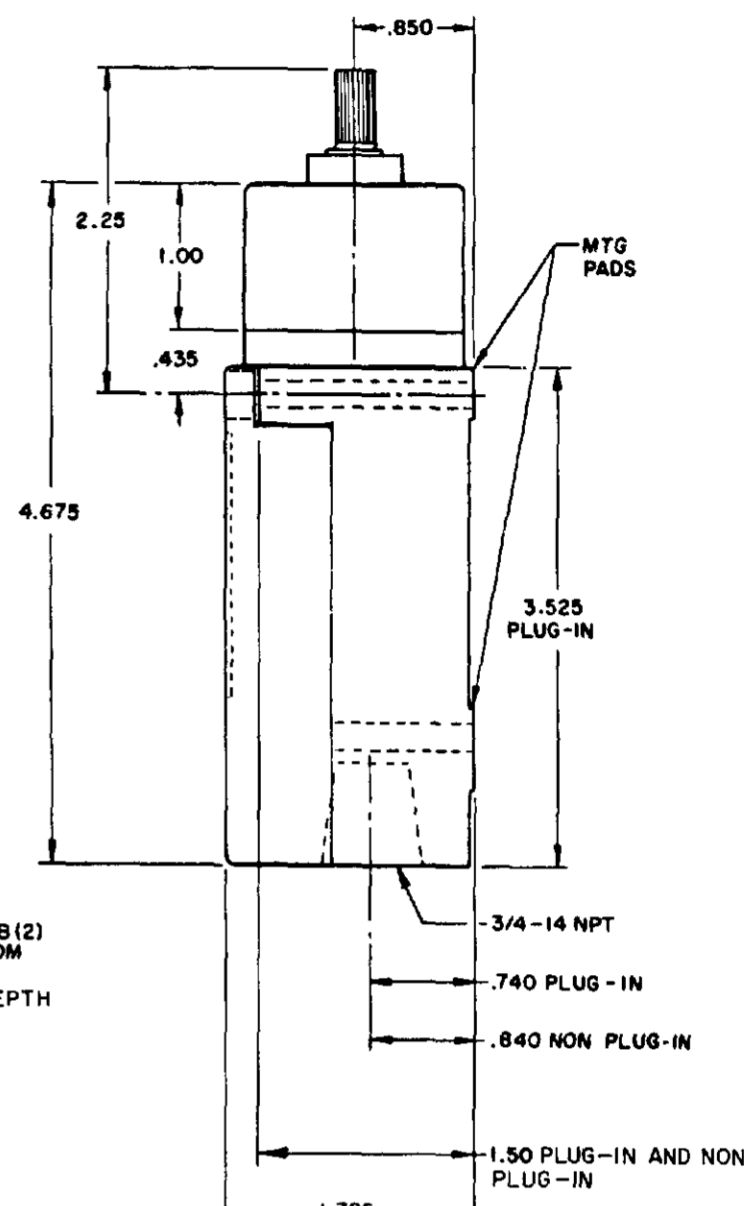
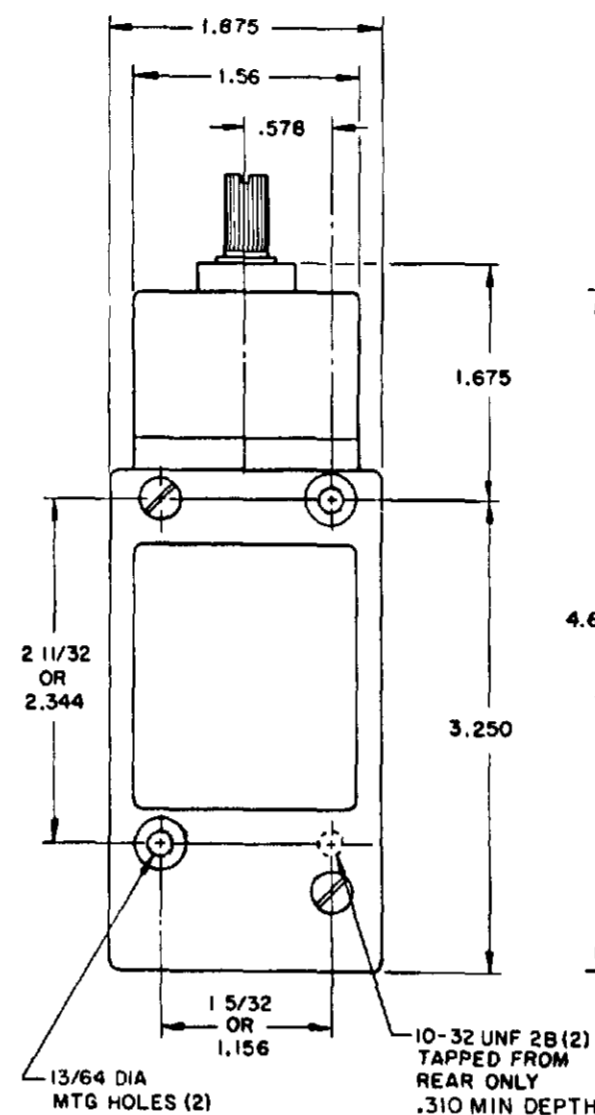


FLOUROSILICONE SEALS
LSYBBI & LSYBB3

VITON SEALS
LSYBCI & LSYBC3



DOUBLE POLE



FLOUROSILICONE SEALS
LSYBB2 & LSYBB4
LSYBB6 & LSYBB7 HAVE 1/2-14NPT
CONDUIT HOLE

VITON SEALS
LSYBC2 & LSYBC4, LSYBC6 & LSYBC7
HAVE 1/2-14NPT CONDUIT HOLE

PRETRAVEL MAX	SINGLE POLE 25°	DOUBLE POLE 25°
OVERTRAVEL MIN	110°	110°
DIFFERENTIAL TRAVEL MAX	10°	12°
OPERATING TORQUE MAX	2.5 IN. LBS	2.5 IN. LBS
TOTAL TRAVEL (REF)	135°	135°

ELECTRICAL RATINGS

10 AMP CONT.

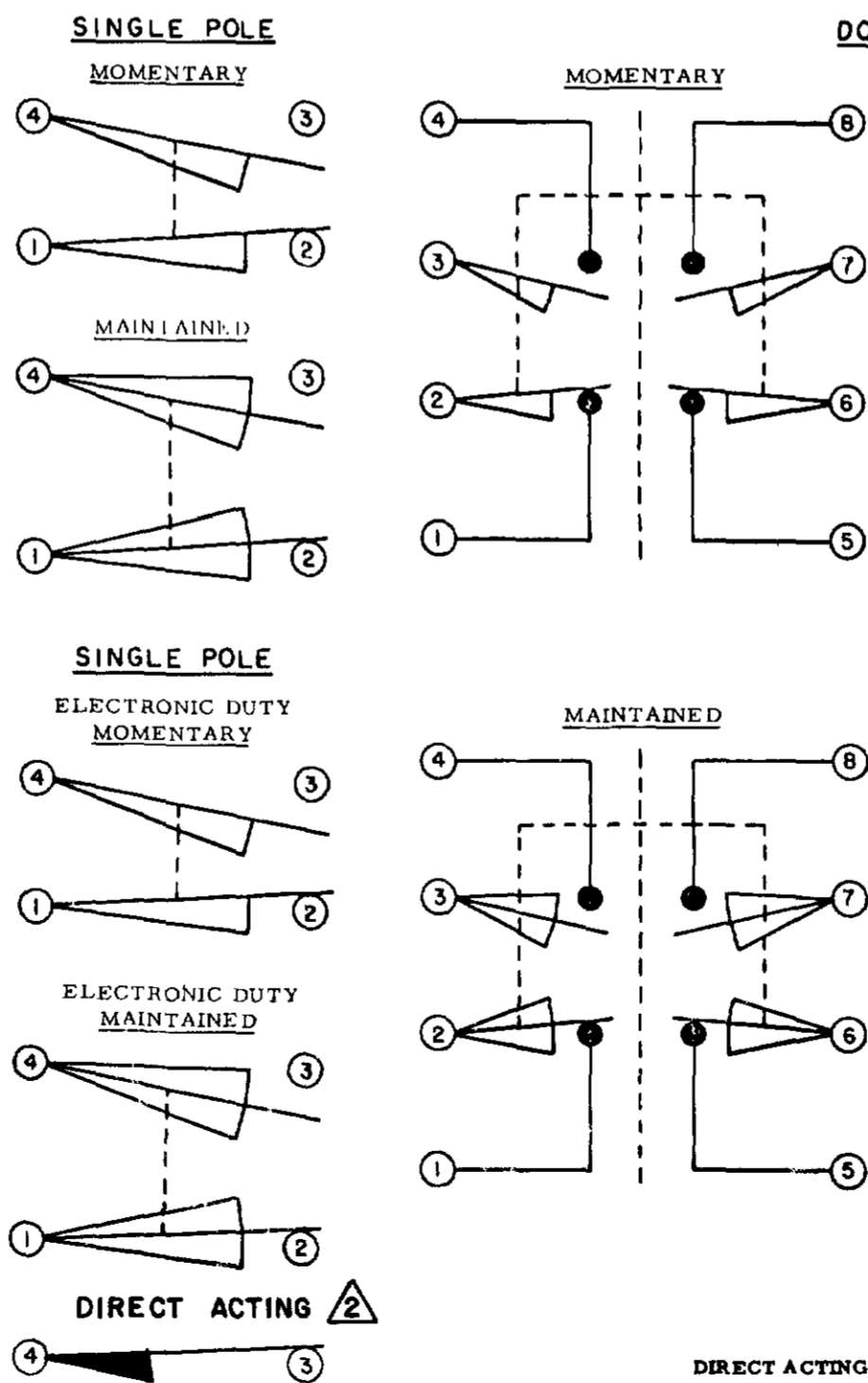
A.C. VOLTAGE	AMPS AT .35 POWER FACTOR			
	SINGL. POL.		DOUBL. POL.	
	MAKE	BREAK	MAKE	BREAK
120	60	6	10	3
240	30	3	15	1.5
480	15	1.5	7.5	.75
600	12	1.2	6	.6

D.C. VOLTAGE	MAKE & BREAK INDUCTIVE	RESISTIVE
120	0.25	0.80
240	0.15	0.40

ELECTRONIC DUTY BASIC SWITCH
10 AMP CONT.

VOLTAGE	MAKE AND BREAK AMPS
5 AC OR DC MIN	.01 AMP MIN
600 AC	720 VA
240 DC	30 WATT

WIRING BASIC SWITCH (SAME POLARITY MUST BE OBSERVED FOR EACH POLE)



DIRECT ACTING (ALSO RATED AT A.C. 10 AMP CONT.)

D.C. VOLTAGE	MAKE AND BREAK AMPS	
	INDUCTIVE	RESISTIVE
30	4.2	4.2
120	1.1	1.1
240	.55	.55

NOTES:
1 - ALL UNITS AVAILABLE WITH FLOUROSILICONE AND VITON SEALS
2 DIFFERENTIAL TRAVEL ON ALL OPERATING CHARACTERISTICS NOT APPLICABLE

MICRO SWITCH
 FREEMONT, ILL. U.S.A.
 A DIVISION OF HONEYWELL
 FID. REG. CO. REG. 51938
 SWITCH - ENCLOSED
 CHART 1
 LSY SERIES
 CATALOG LISTING

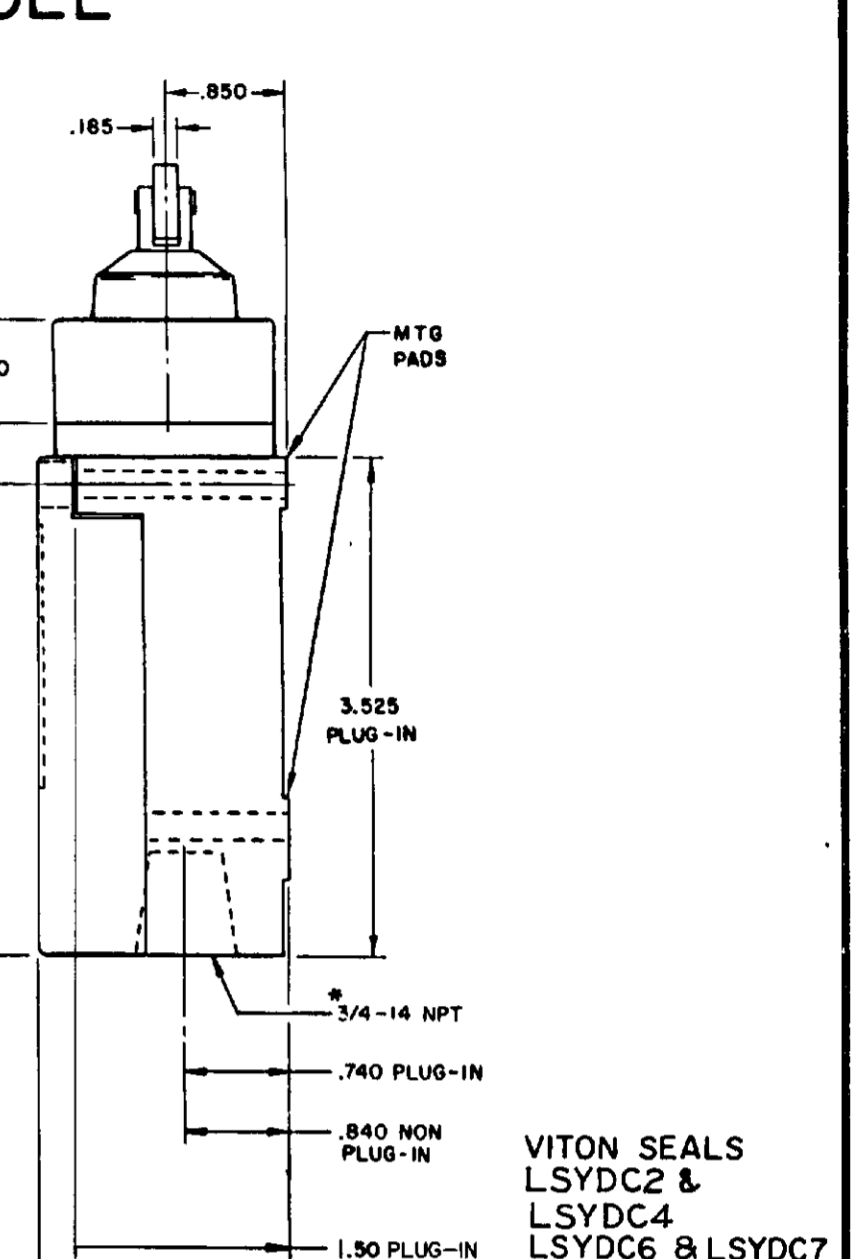
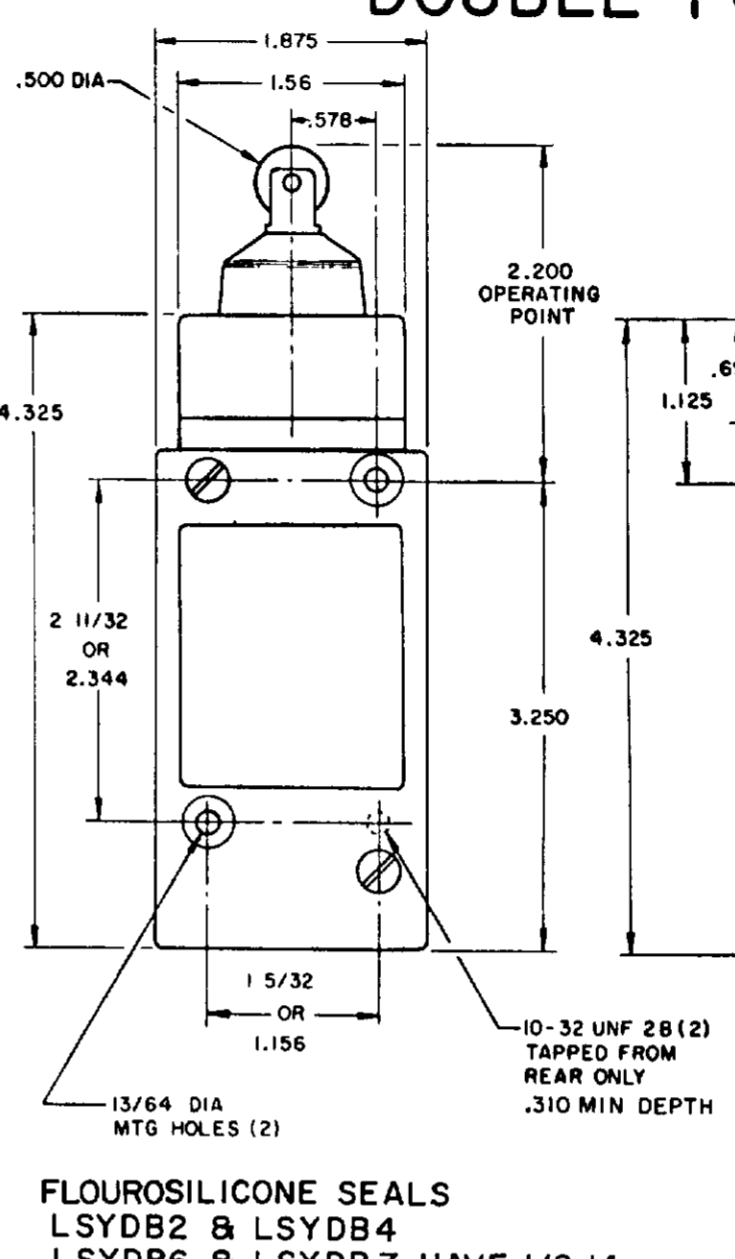
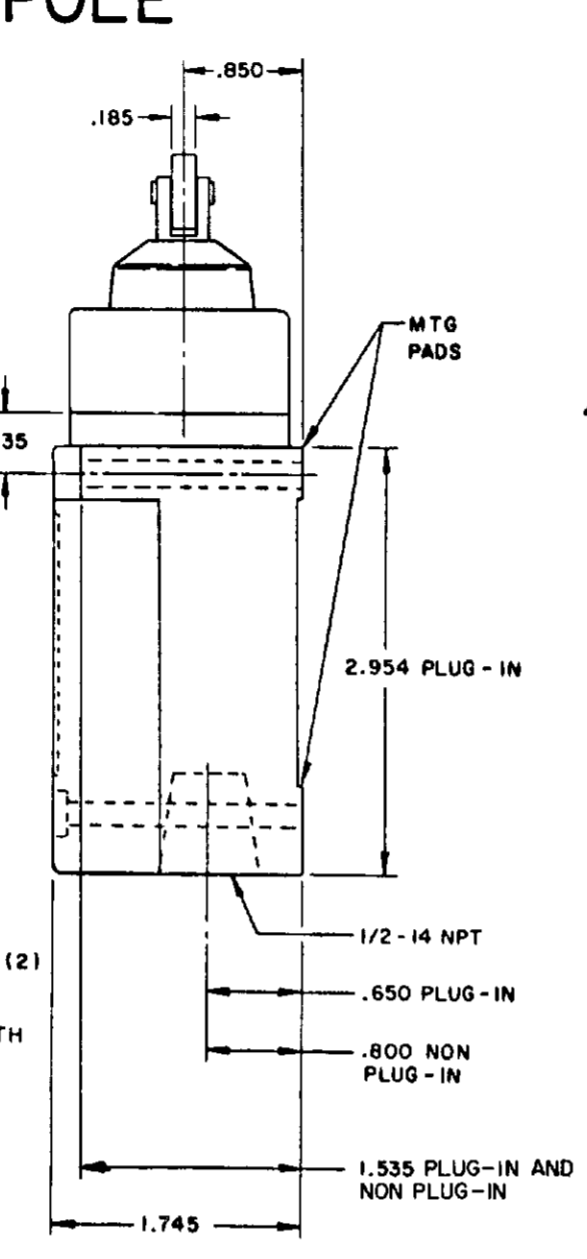
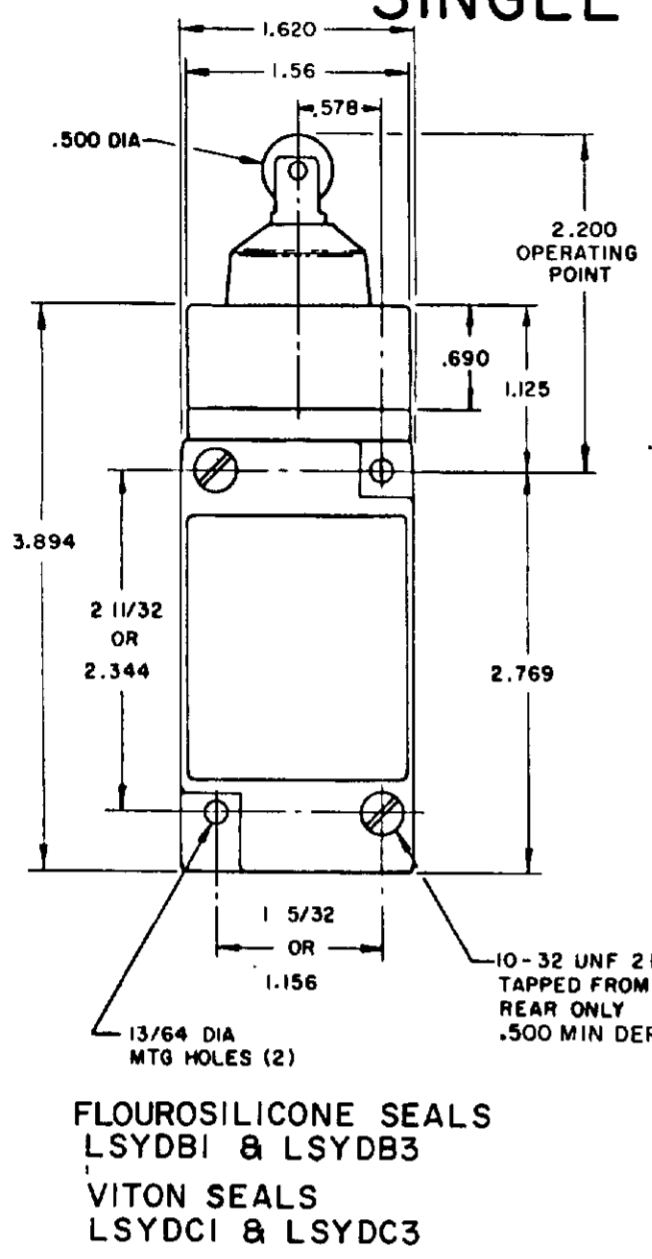
SCALE NONE
DO NOT SCALE PRINT

REV	DATE	BY	CHKD	APP
A	09/94
B	09/94
C	09/94
D	09/94
E	09/94
F	09/94
G	09/94
H	09/94
I	09/94
J	09/94
K	09/94
L	09/94
M	09/94
N	09/94
O	09/94
P	09/94
Q	09/94
R	09/94
S	09/94
T	09/94
U	09/94
V	09/94
W	09/94
X	09/94
Y	09/94
Z	09/94

PLUNGER TYPE TOP

SINGLE POLE

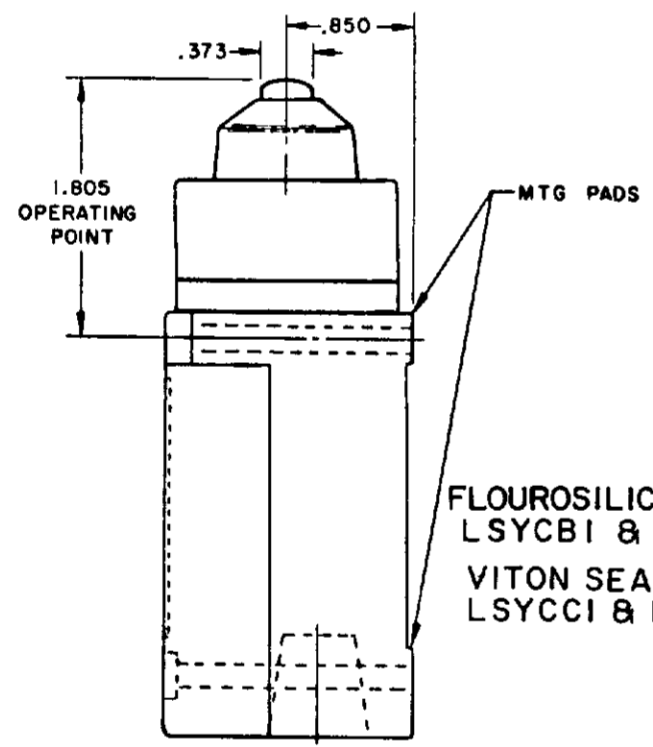
DOUBLE POLE



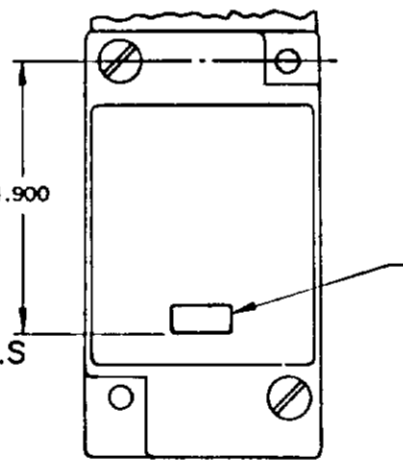
FLUOROSILICONE SEALS
 LSYDB1 & LSYDB3
 VITON SEALS
 LSYDC1 & LSYDC3

FLUOROSILICONE SEALS
 LSYDB2 & LSYDB4
 LSYDB6 & LSYDB7 HAVE 1/2-14
 CONDUIT HOLE

VITON SEALS
 LSYDC2 &
 LSYDC4
 LSYDC6 & LSYDC7



SINGLE POLE PLUG-IN ONLY
 WITH INDICATOR LAMP

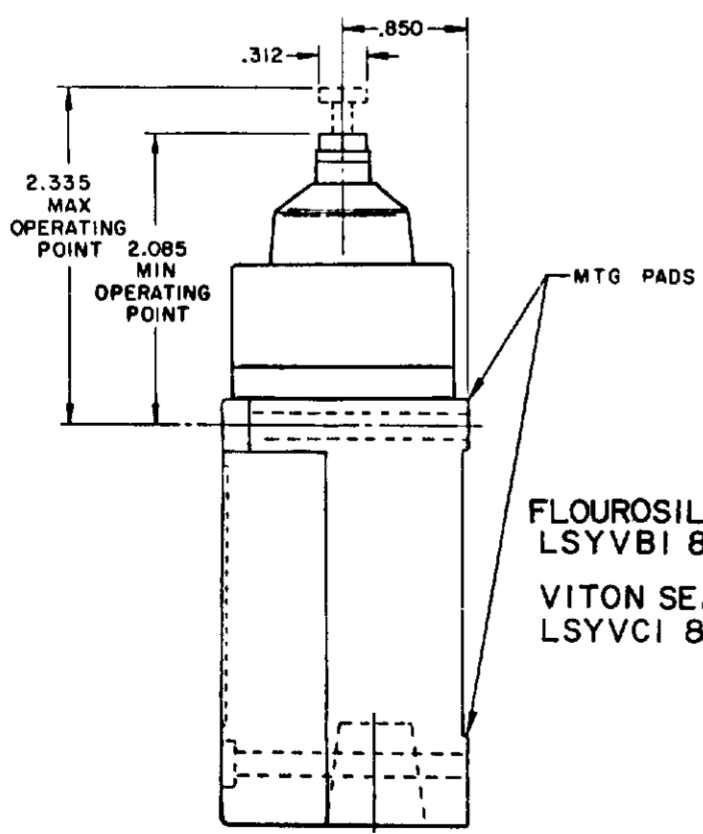


FLUOROSILICONE SEALS
 LSYCB1 & LSYCB3
 VITON SEALS
 LSYCC1 & LSYCC3

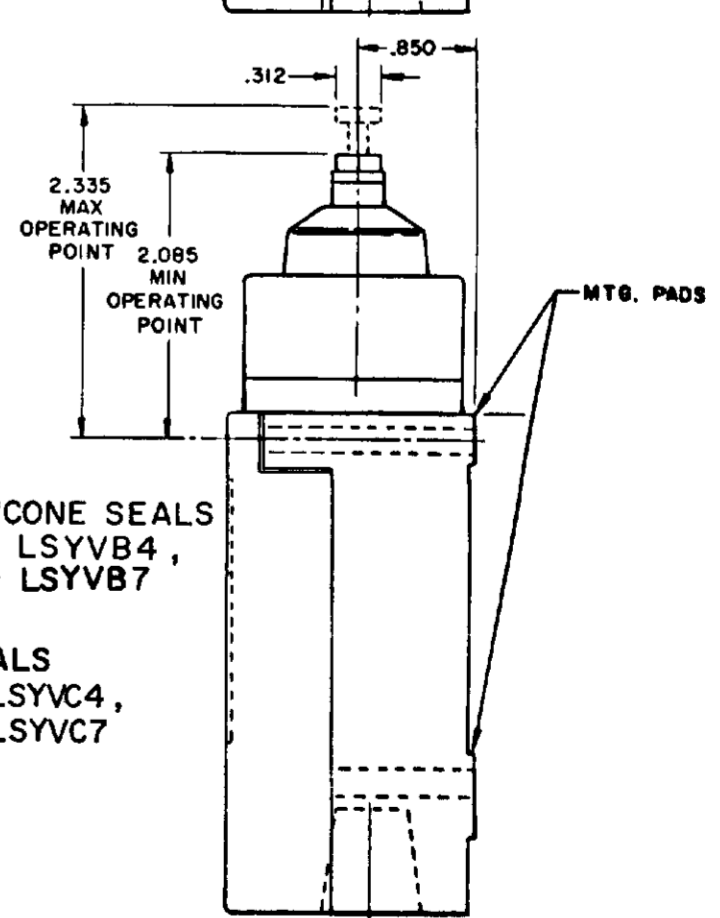
FLUOROSILICONE SEALS
 LSYCB2 & LSYCB4
 LSYCB6 & LSYCB7
 VITON SEALS
 LSYCC2 & LSYCC4,
 LSYCC6 & LSYCC7

120 LAMP VOLTAGE -
 LSYCB 5, LSYDB5, LSYVB5
 LSYCC 5, LSYDC5, LSYVC5
 240 LAMP VOLTAGE -
 LSYCB8, LSYDB8, LSYVB8
 LSYCC8, LSYDC8, LSYVC8

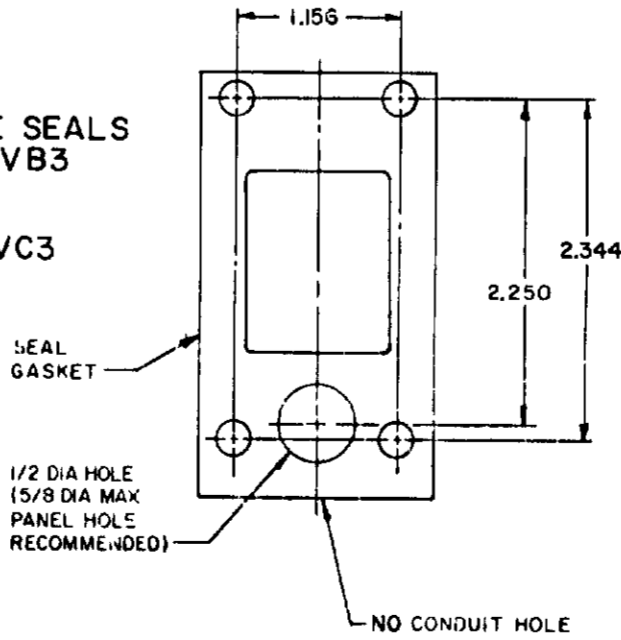
MANIFOLD MOUNT (PLUG-IN ONLY)
 SINGLE POLE AND DOUBLE POLE
 TYPE LSYA THROUGH LSYW SERIES



FLUOROSILICONE SEALS
 LSYVB1 & LSYVB3
 VITON SEALS
 LSYVC1 & LSYVC3



FLUOROSILICONE SEALS
 LSYVB2 & LSYVB4,
 LSYVB6 & LSYVB7
 VITON SEALS
 LSYVC2 & LSYVC4,
 LSYVC6 & LSYVC7



NOTES:
 1 - ALL UNITS AVAILABLE WITH
 FLUOROSILICONE AND VITON SEALS

MICRO SWITCH
 SWITCH - ENCLOSED
 CHART 1

LSY SERIES
 CATALOG LISTING

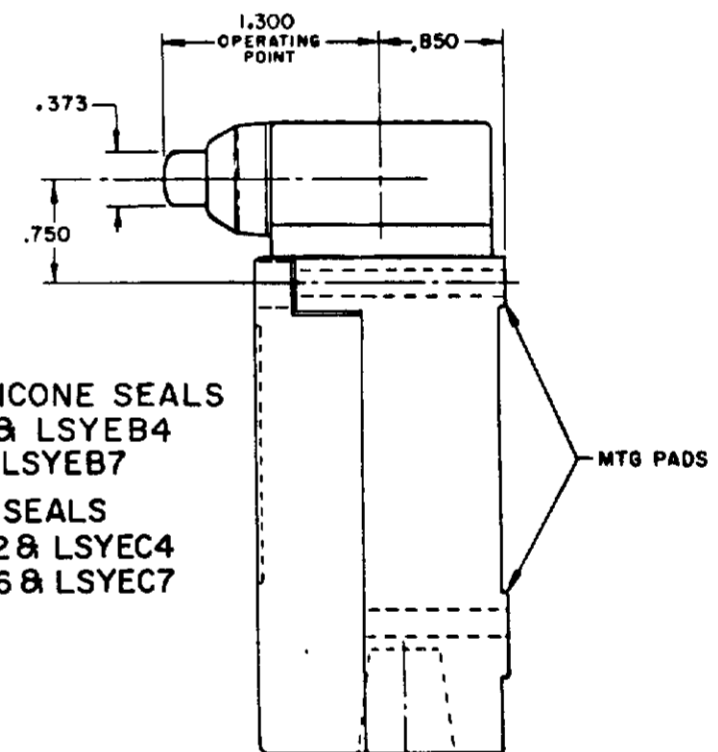
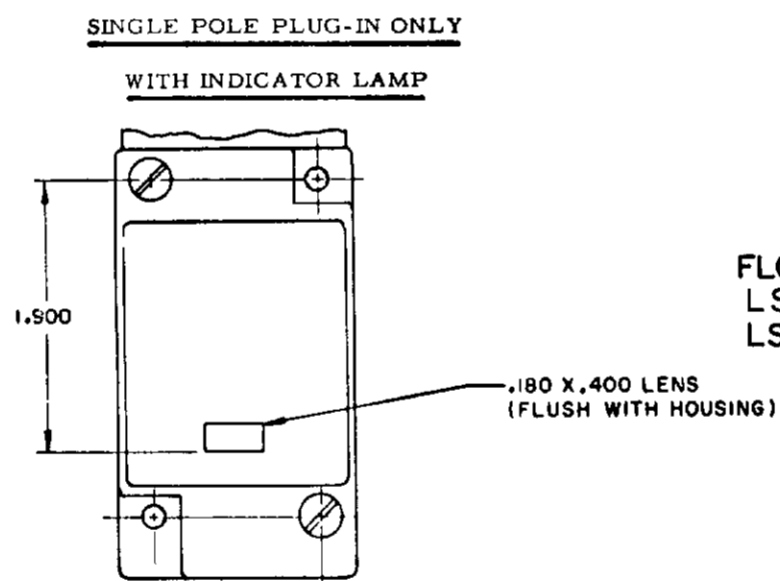
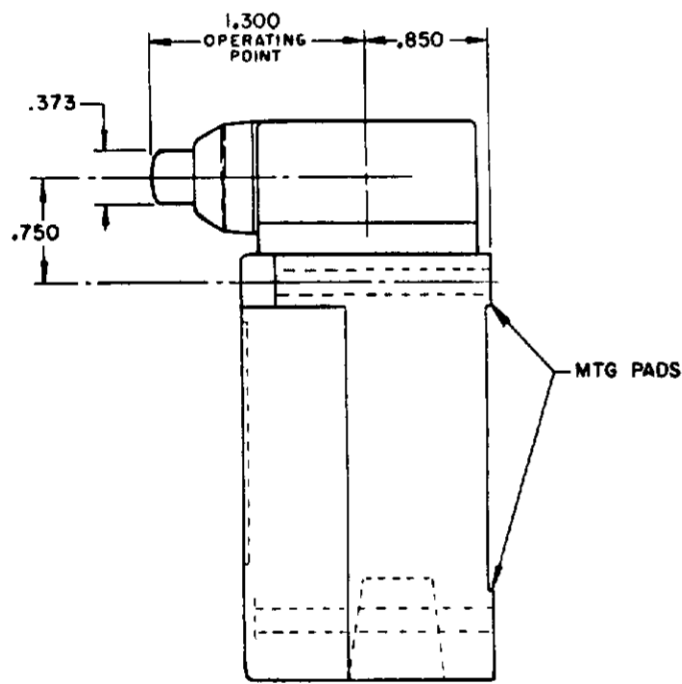
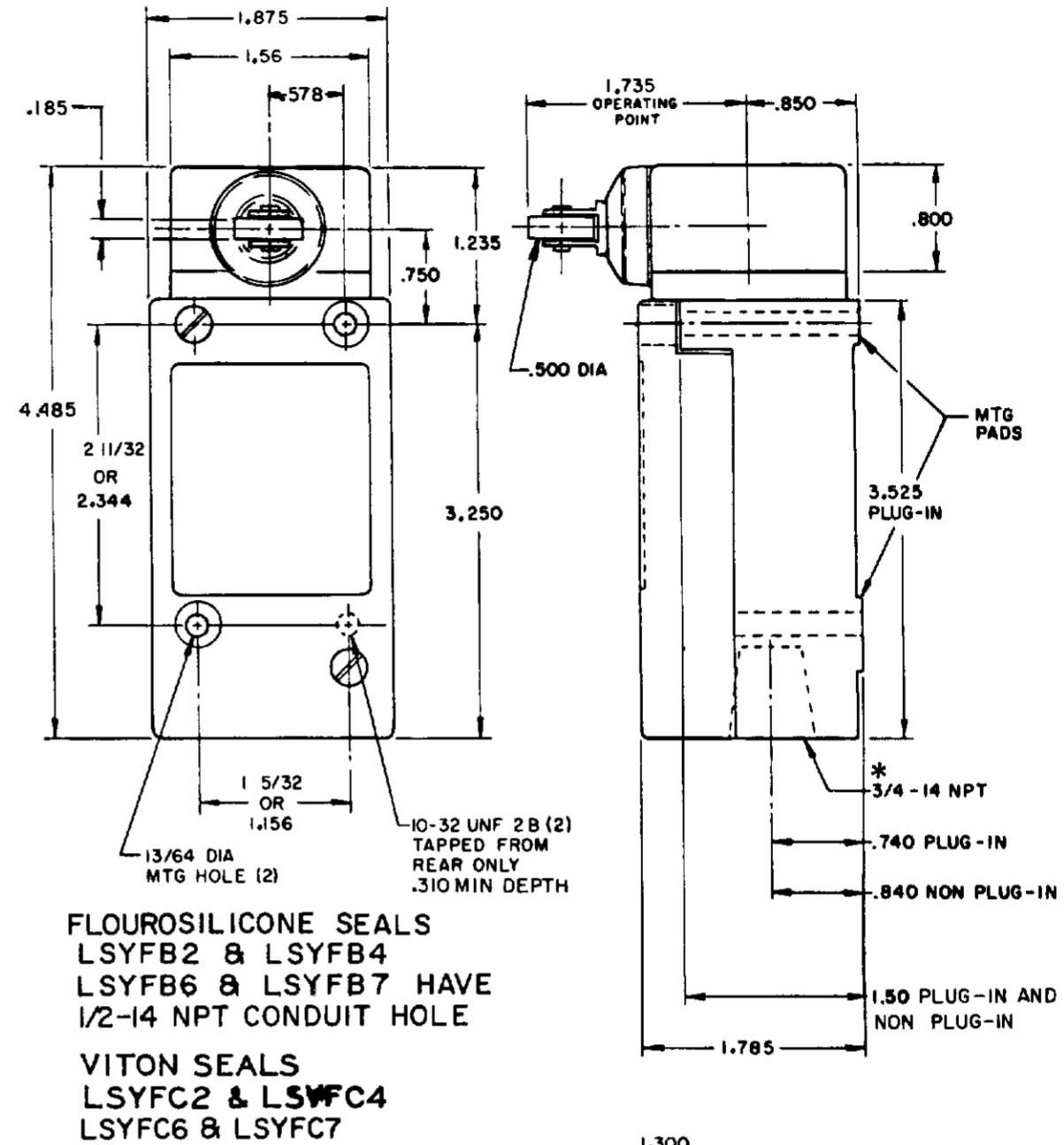
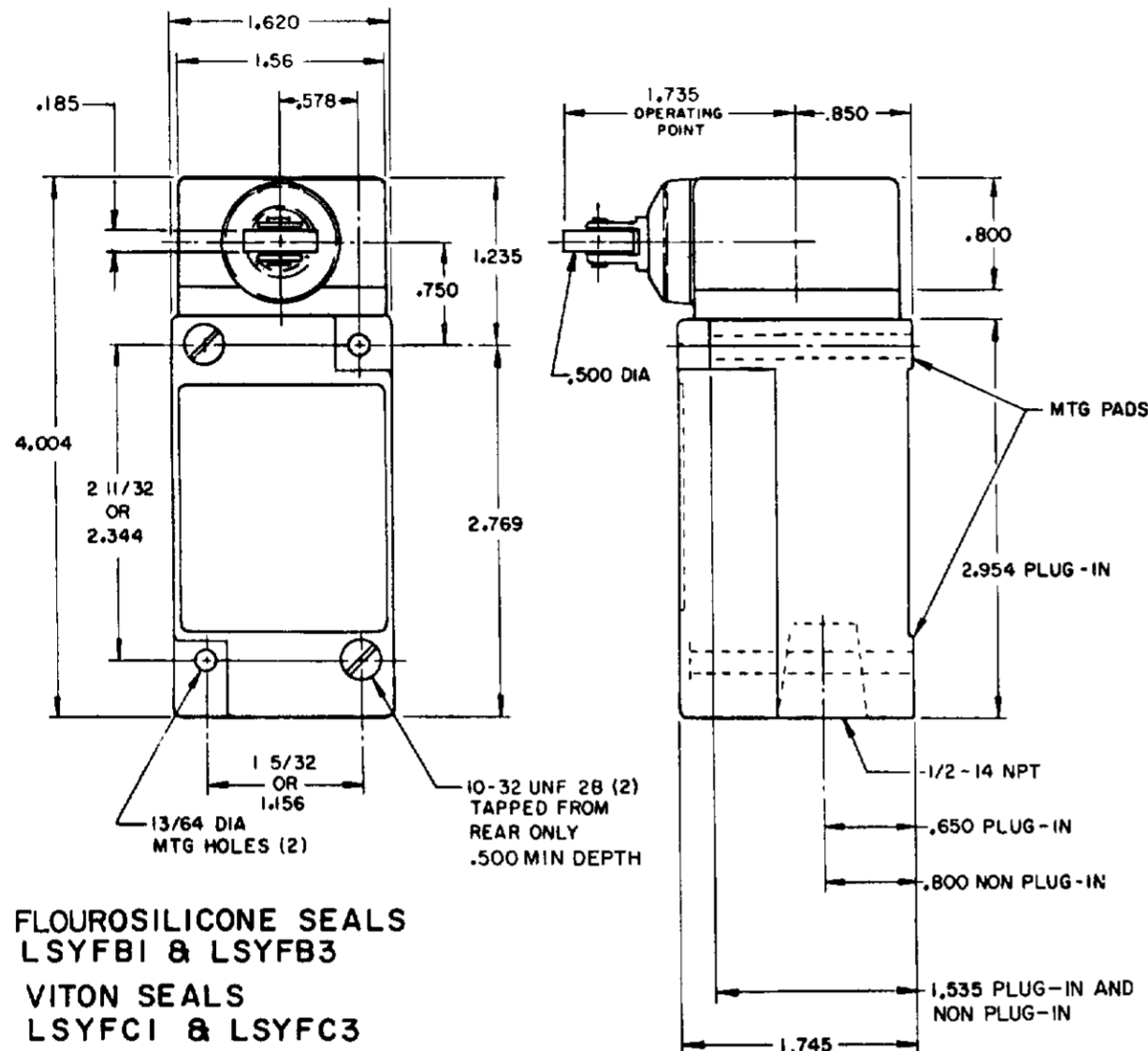
THIS DRAWING GOVERNS A PROPRIETARY ITEM AND IS THE PROPERTY OF MICRO SWITCH, A DIVISION OF HONEYWELL. THIS DRAWING IS NOT TO BE COPIED OR USED WITHOUT THE APPROVAL OF MICRO SWITCH.
 MICRO SWITCH
 140 W. 50th Street
 Elkhart, IN 46517-1099
 U.S.A.

SCALE NONE
 DO NOT SCALE PRINT

SIDE PLUNGER TYPE

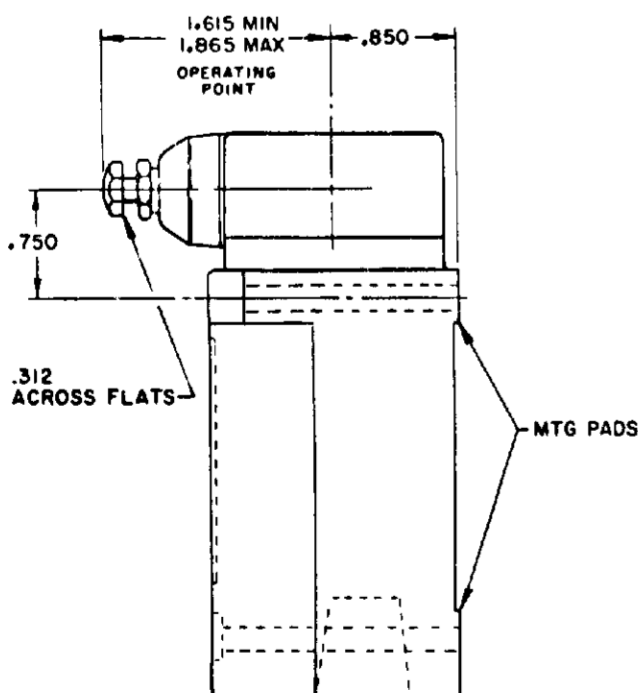
SINGLE POLE

DOUBLE POLE

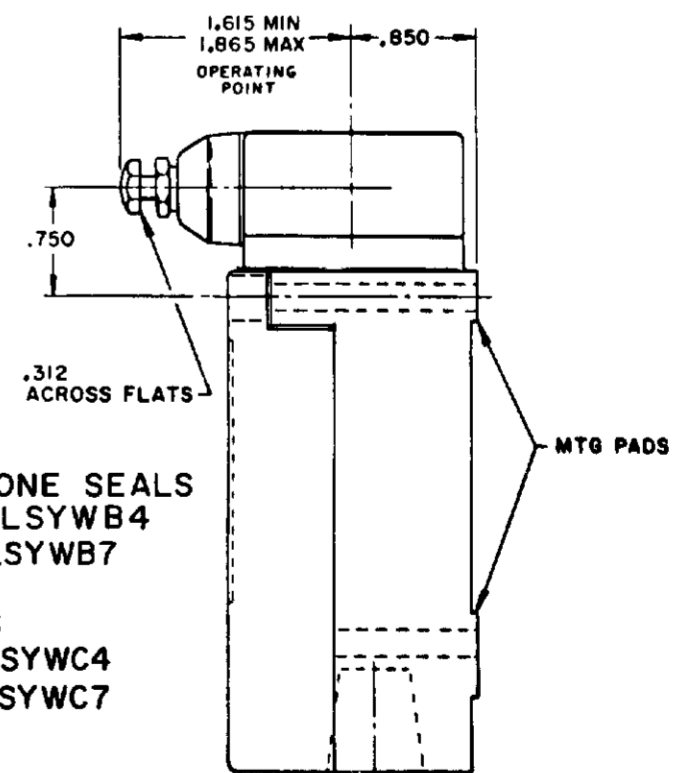
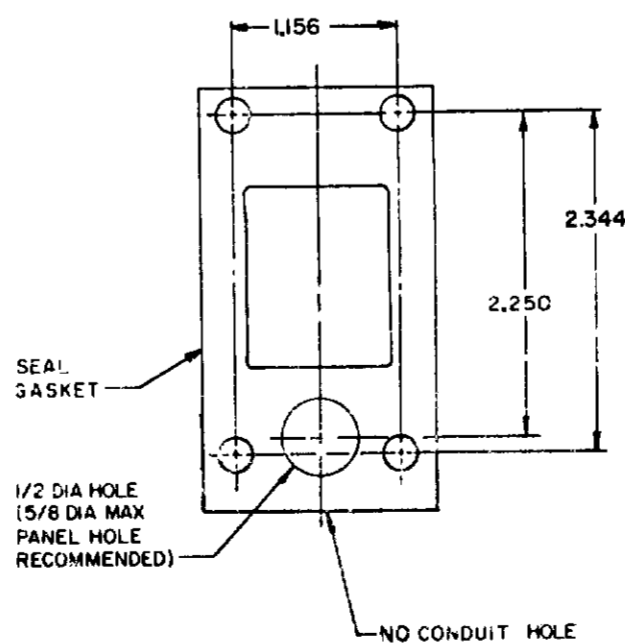


120 LAMP VOLTAGE -
 LSYFB5, LSYEB5, LSYWB5
 LSYFC5, LSYEC5, LSYWC5

240 LAMP VOLTAGE -
 LSYFB8, LSYEB8, LSYWB8
 LSYFC8, LSYEC8, LSYWC8



MANIFOLD MOUNT (PLUG-IN ONLY)
SINGLE POLE AND DOUBLE POLE
TYPE LSYA THROUGH LSYW SERIES



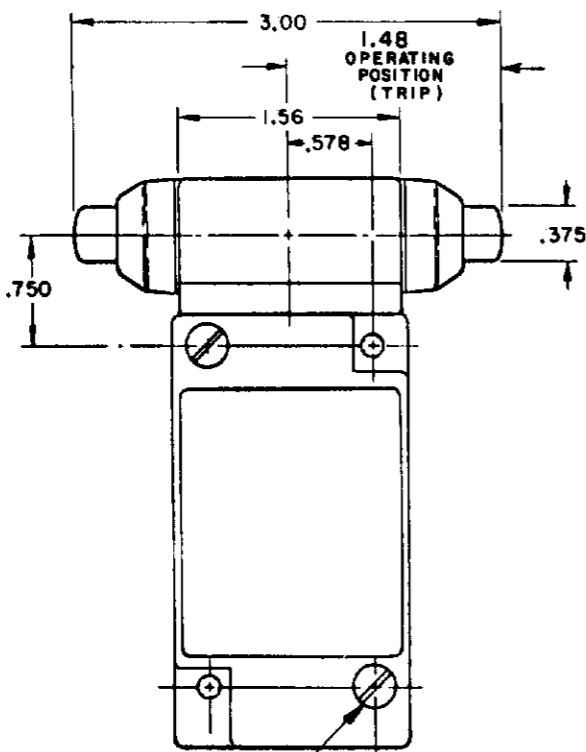
NOTES:
 1 - ALL UNITS AVAILABLE WITH
 FLOUROSILICONE AND VITON SEALS

MICRO SWITCH
 FREEPORT ILLINOIS U.S.A.
 A DIVISION OF HONEYWELL
 REG. U.S. PAT. & TM. OFF.

SWITCH - ENCLOSED

LSY SERIES
 CATALOG LISTING
CHART 1

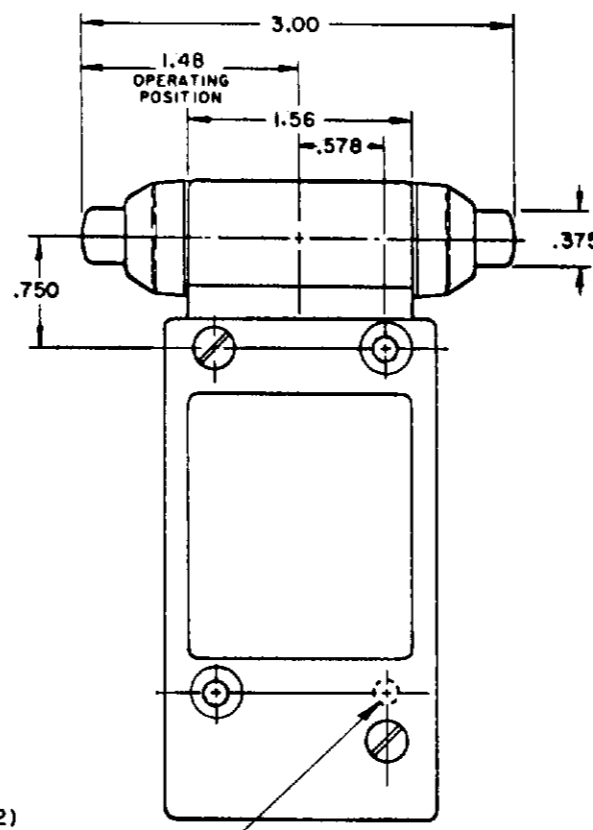
SCALE NONE
 DO NOT SCALE PRINT



10-32 UNF 28(2)
TAPPED FROM REAR ONLY
.500 MIN DEPTH

FLOUROSILICONE SEALS
LSYGB1 & LSYGB3

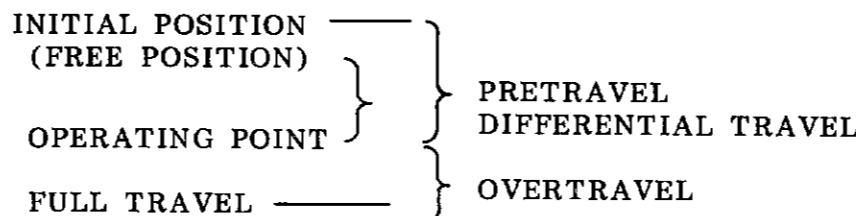
VITON SEALS
LSYGC1 & LSYGC3



10-32 UNF 28(2)
TAPPED FROM REAR ONLY
.310 MIN DEPTH

FLOUROSILICONE SEALS
LSYGB2 & LSYGB4, LSYGB6 & LSYGB7 HAVE 1/2 CONDUIT HOLE)

VITON SEALS
LSYGC2 & LSYGC4 (LSYGC6 &
LSYGC7 HAVE 1/2 CONDUIT HOLE)



OPERATING POINT GIVEN IN RELATION TO TOP MOUNTING HOLE **TOP PLUNGER TYPES**

CHARACTERISTICS	LSYC PLUNGER		LSYD ROLLER PLUNGER		LSYV ADJ PLUNGER		SEQUENCE BASIC		
	SINGLE POLE	DOUBLE POLE	SINGLE POLE	DOUBLE POLE	SINGLE POLE	DOUBLE POLE	LSYC	LSYD	LSYV
PRETRAVEL (MAX)	.070		.070		.070		1ST STEP .070		
DIFFERENTIAL TRAVEL (MAX)	.015	.020	.015	.020	.015	.020	2ND STEP .016 MIN ADD'L		
OVERTRAVEL (MIN)	.190		.190		.190		.170		
OPERATING FORCE (MAX)	4 LBS		4 LBS		4 LBS		4 LBS		
OPERATING POINT	1.805 ± .030		2.200 ± .040		2.085 MIN 2.335 MAX		1ST STEP 1.815±.030 2.210±.040 2.095 MIN / 2.345 MAX		
FULL OVERTRAVEL FORCE (MAX)	7 LBS		7 LBS		7 LBS		7 LBS		

OPERATING POINT GIVEN IN RELATION TO CENTER OF HEAD **SIDE PLUNGER TYPES**

CHARACTERISTICS	LSYE PLUNGER	LSYF ROLLER PLUNGER	LSYW ADJ PLUNGER	LSYG PLUNGER MAINTAINED	SEQUENCE BASIC		
					LSYE	LSYF	LSYW
PRETRAVEL (MAX)	.100	.100	.100	.170	1ST STEP .100		
DIFFERENTIAL TRAVEL (MAX)	.045	.045	.045	.090	2ND STEP .020 MIN ADD'L		
OVERTRAVEL (MIN)	.190	.190	.190	.080	.170		
OPERATING FORCE (MAX)	6 LBS	6 LBS	6 LBS	10 LBS	6 LBS		
OPERATING POINT	1.300 ± .030	1.735 ± .040	1.615 MIN 1.865 MAX	1.480 ± .030	1ST STEP 1.310±.030 1.745±.040 1.625 MIN / 1.875 MAX		
FULL OVERTRAVEL FORCE (MAX)	6 LBS	6 LBS	6 LBS	10 LBS	6 LBS		

MICRO SWITCH
 THIS DRAWING COVERS A PROPRIETARY ITEM AND IS THE PROPERTY OF HONEYWELL. THIS DRAWING IS NOT TO BE COPIED OR USED WITHOUT THE APPROVAL OF HONEYWELL.
 HONEYWELL, HILLSDALE, ILLINOIS, U.S.A.
 A DIVISION OF HONEYWELL
 FED. REG. CODE 31829

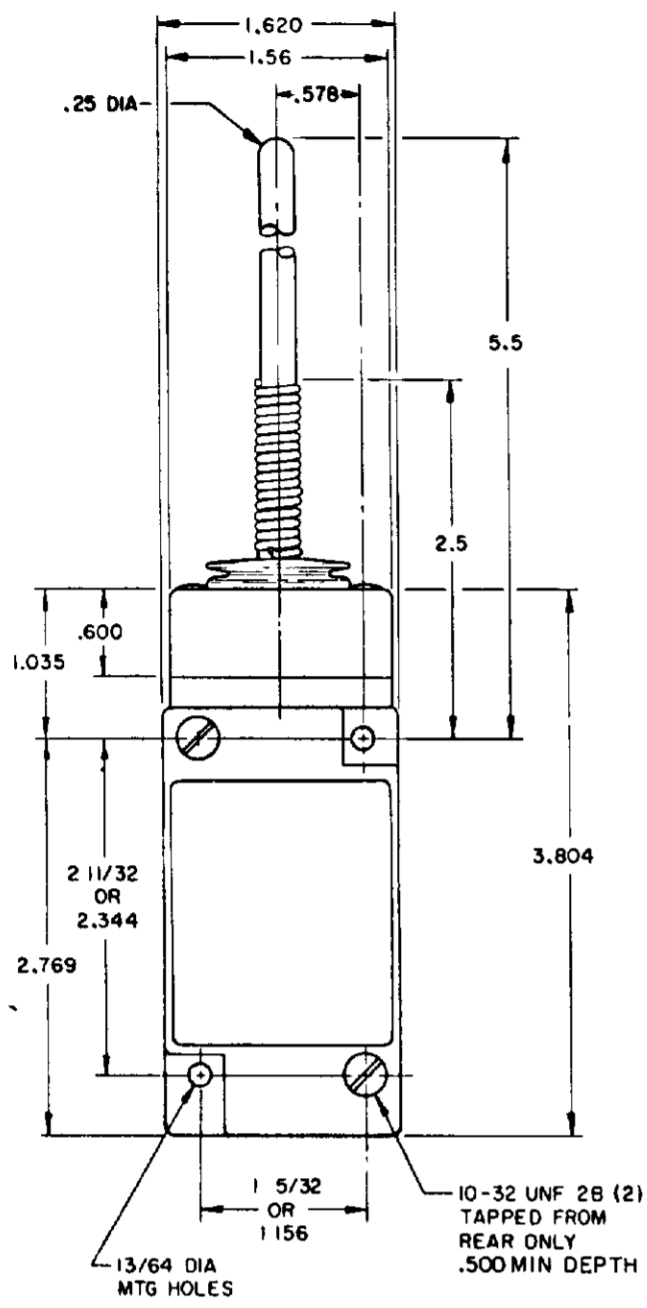
SWITCH - ENCLOSED
LSY SERIES
 CATALOG LISTING
CHART 1

THIRD ANGLE PROJECTION
 SCALE NONE
 DO NOT SCALE PRINT
 TOLERANCES
 UNLESS OTHERWISE SPECIFIED
 DIMENSIONS ARE IN INCHES
 DECIMALS: .0005 .001 .002 .005 .010 .015 .020 .030 .040 .050 .060 .070 .080 .090 .100 .150 .200 .250 .300 .375 .500 .625 .750 .875 1.000
 FRACTIONS: 1/64 1/32 3/64 1/16 5/64 3/32 1/8 7/64 1/4 9/64 5/32 3/8 11/64 1/2 13/64 7/16 3/4 15/64 1 17/64 1 1/2 1 19/64 2 21/64 2 1/2 2 23/64 3 25/64 3 1/2 3 27/64 4 29/64 4 1/2 4 31/64 5 33/64 5 1/2 5 35/64 6 37/64 6 1/2 6 39/64 7 41/64 7 1/2 7 43/64 8 45/64 8 1/2 8 47/64 9 49/64 9 1/2 9 51/64 10 53/64 10 1/2 10 55/64 11 59/64 11 1/2 11 61/64 12 63/64 12 1/2 12 65/64 13 67/64 13 1/2 13 69/64 14 71/64 14 1/2 14 73/64 15 75/64 15 1/2 15 77/64 16 79/64 16 1/2 16 81/64 17 83/64 17 1/2 17 85/64 18 87/64 18 1/2 18 89/64 19 91/64 19 1/2 19 93/64 20 95/64 20 1/2 20 97/64 21 99/64 21 1/2 21 101/64 22 103/64 22 1/2 22 105/64 23 107/64 23 1/2 23 109/64 24 111/64 24 1/2 24 113/64 25 115/64 25 1/2 25 117/64 26 119/64 26 1/2 26 121/64 27 123/64 27 1/2 27 125/64 28 127/64 28 1/2 28 129/64 29 131/64 29 1/2 29 133/64 30 135/64 30 1/2 30 137/64 31 139/64 31 1/2 31 141/64 32 143/64 32 1/2 32 145/64 33 147/64 33 1/2 33 149/64 34 151/64 34 1/2 34 153/64 35 155/64 35 1/2 35 157/64 36 159/64 36 1/2 36 161/64 37 163/64 37 1/2 37 165/64 38 167/64 38 1/2 38 169/64 39 171/64 39 1/2 39 173/64 40 175/64 40 1/2 40 177/64 41 179/64 41 1/2 41 181/64 42 183/64 42 1/2 42 185/64 43 187/64 43 1/2 43 191/64 44 193/64 44 1/2 44 195/64 45 197/64 45 1/2 45 199/64 46 201/64 46 1/2 46 203/64 47 205/64 47 1/2 47 207/64 48 209/64 48 1/2 48 211/64 49 213/64 49 1/2 49 215/64 50 217/64 50 1/2 50 219/64 51 221/64 51 1/2 51 223/64 52 225/64 52 1/2 52 227/64 53 229/64 53 1/2 53 231/64 54 233/64 54 1/2 54 235/64 55 237/64 55 1/2 55 239/64 56 241/64 56 1/2 56 243/64 57 245/64 57 1/2 57 247/64 58 249/64 58 1/2 58 251/64 59 253/64 59 1/2 59 255/64 60 257/64 60 1/2 60 259/64 61 261/64 61 1/2 61 263/64 62 265/64 62 1/2 62 267/64 63 269/64 63 1/2 63 271/64 64 273/64 64 1/2 64 275/64 65 277/64 65 1/2 65 279/64 66 281/64 66 1/2 66 283/64 67 285/64 67 1/2 67 287/64 68 289/64 68 1/2 68 291/64 69 293/64 69 1/2 69 295/64 70 297/64 70 1/2 70 299/64 71 301/64 71 1/2 71 303/64 72 305/64 72 1/2 72 307/64 73 309/64 73 1/2 73 311/64 74 313/64 74 1/2 74 315/64 75 317/64 75 1/2 75 319/64 76 321/64 76 1/2 76 323/64 77 325/64 77 1/2 77 327/64 78 329/64 78 1/2 78 331/64 79 333/64 79 1/2 79 335/64 80 337/64 80 1/2 80 339/64 81 341/64 81 1/2 81 343/64 82 345/64 82 1/2 82 347/64 83 349/64 83 1/2 83 351/64 84 353/64 84 1/2 84 355/64 85 357/64 85 1/2 85 359/64 86 361/64 86 1/2 86 363/64 87 365/64 87 1/2 87 367/64 88 369/64 88 1/2 88 371/64 89 373/64 89 1/2 89 375/64 90 377/64 90 1/2 90 379/64 91 381/64 91 1/2 91 383/64 92 385/64 92 1/2 92 387/64 93 389/64 93 1/2 93 391/64 94 393/64 94 1/2 94 395/64 95 397/64 95 1/2 95 399/64 96 401/64 96 1/2 96 403/64 97 405/64 97 1/2 97 407/64 98 409/64 98 1/2 98 411/64 99 413/64 99 1/2 99 415/64 100 417/64 100 1/2 100 419/64 101 421/64 101 1/2 101 423/64 102 425/64 102 1/2 102 427/64 103 429/64 103 1/2 103 431/64 104 433/64 104 1/2 104 435/64 105 437/64 105 1/2 105 439/64 106 441/64 106 1/2 106 443/64 107 445/64 107 1/2 107 447/64 108 449/64 108 1/2 108 451/64 109 453/64 109 1/2 109 455/64 110 457/64 110 1/2 110 459/64 111 461/64 111 1/2 111 463/64 112 465/64 112 1/2 112 467/64 113 469/64 113 1/2 113 471/64 114 473/64 114 1/2 114 475/64 115 477/64 115 1/2 115 479/64 116 481/64 116 1/2 116 483/64 117 485/64 117 1/2 117 487/64 118 489/64 118 1/2 118 491/64 119 493/64 119 1/2 119 495/64 120 497/64 120 1/2 120 499/64 121 501/64 121 1/2 121 503/64 122 505/64 122 1/2 122 507/64 123 509/64 123 1/2 123 511/64 124 513/64 124 1/2 124 515/64 125 517/64 125 1/2 125 519/64 126 521/64 126 1/2 126 523/64 127 525/64 127 1/2 127 527/64 128 529/64 128 1/2 128 531/64 129 533/64 129 1/2 129 535/64 130 537/64 130 1/2 130 539/64 131 541/64 131 1/2 131 543/64 132 545/64 132 1/2 132 547/64 133 549/64 133 1/2 133 551/64 134 553/64 134 1/2 134 555/64 135 557/64 135 1/2 135 559/64 136 561/64 136 1/2 136 563/64 137 565/64 137 1/2 137 567/64 138 569/64 138 1/2 138 571/64 139 573/64 139 1/2 139 575/64 140 577/64 140 1/2 140 579/64 141 581/64 141 1/2 141 583/64 142 585/64 142 1/2 142 587/64 143 589/64 143 1/2 143 591/64 144 593/64 144 1/2 144 595/64 145 597/64 145 1/2 145 599/64 146 601/64 146 1/2 146 603/64 147 605/64 147 1/2 147 607/64 148 609/64 148 1/2 148 611/64 149 613/64 149 1/2 149 615/64 150 617/64 150 1/2 150 619/64 151 621/64 151 1/2 151 623/64 152 625/64 152 1/2 152 627/64 153 629/64 153 1/2 153 631/64 154 633/64 154 1/2 154 635/64 155 637/64 155 1/2 155 639/64 156 641/64 156 1/2 156 643/64 157 645/64 157 1/2 157 647/64 158 649/64 158 1/2 158 651/64 159 653/64 159 1/2 159 655/64 160 657/64 160 1/2 160 659/64 161 661/64 161 1/2 161 663/64 162 665/64 162 1/2 162 667/64 163 669/64 163 1/2 163 671/64 164 673/64 164 1/2 164 675/64 165 677/64 165 1/2 165 679/64 166 681/64 166 1/2 166 683/64 167 685/64 167 1/2 167 687/64 168 689/64 168 1/2 168 691/64 169 693/64 169 1/2 169 695/64 170 697/64 170 1/2 170 699/64 171 701/64 171 1/2 171 703/64 172 705/64 172 1/2 172 707/64 173 709/64 173 1/2 173 711/64 174 713/64 174 1/2 174 715/64 175 717/64 175 1/2 175 719/64 176 721/64 176 1/2 176 723/64 177 725/64 177 1/2 177 727/64 178 729/64 178 1/2 178 731/64 179 733/64 179 1/2 179 735/64 180 737/64 180 1/2 180 739/64 181 741/64 181 1/2 181 743/64 182 745/64 182 1/2 182 747/64 183 749/64 183 1/2 183 751/64 184 753/64 184 1/2 184 755/64 185 757/64 185 1/2 185 759/64 186 761/64 186 1/2 186 763/64 187 765/64 187 1/2 187 767/64 188 769/64 188 1/2 188 771/64 189 773/64 189 1/2 189 775/64 190 777/64 190 1/2 190 779/64 191 781/64 191 1/2 191 783/64 192 785/64 192 1/2 192 787/64 193 789/64 193 1/2 193 791/64 194 793/64 194 1/2 194 795/64 195 797/64 195 1/2 195 799/64 196 801/64 196 1/2 196 803/64 197 805/64 197 1/2 197 807/64 198 809/64 198 1/2 198 811/64 199 813/64 199 1/2 199 815/64 200 817/64 200 1/2 200 819/64 201 821/64 201 1/2 201 823/64 202 825/64 202 1/2 202 827/64 203 829/64 203 1/2 203 831/64 204 833/64 204 1/2 204 835/64 205 837/64 205 1/2 205 839/64 206 841/64 206 1/2 206 843/64 207 845/64 207 1/2 207 847/64 208 849/64 208 1/2 208 851/64 209 853/64 209 1/2 209 855/64 210 857/64 210 1/2 210 859/64 211 861/64 211 1/2 211 863/64 212 865/64 212 1/2 212 867/64 213 869/64 213 1/2 213 871/64 214 873/64 214 1/2 214 875/64 215 877/64 215 1/2 215 879/64 216 881/64 216 1/2 216 883/64 217 885/64 217 1/2 217 887/64 218 889/64 218 1/2 218 891/64 219 893/64 219 1/2 219 895/64 220 897/64 220 1/2 220 899/64 221 901/64 221 1/2 221 903/64 222 905/64 222 1/2 222 907/64 223 909/64 223 1/2 223 911/64 224 913/64 224 1/2 224 915/64 225 917/64 225 1/2 225 919/64 226 921/64 226 1/2 226 923/64 227 925/64 227 1/2 227 927/64 228 929/64 228 1/2 228 931/64 229 933/64 229 1/2 229 935/64 230 937/64 230 1/2 230 939/64 231 941/64 231 1/2 231 943/64 232 945/64 232 1/2 232 947/64 233 949/64 233 1/2 233 951/64 234 953/64 234 1/2 234 955/64 235 957/64 235 1/2 235 959/64 236 961/64 236 1/2 236 963/64 237 965/64 237 1/2 237 967/64 238 969/64 238 1/2 238 971/64 239 973/64 239 1/2 239 975/64 240 977/64 240 1/2 240 979/64 241 981/64 241 1/2 241 983/64 242 985/64 242 1/2 242 987/64 243 989/64 243 1/2 243 991/64 244 993/64 244 1/2 244 995/64 245 997/64 245 1/2 245 999/64 246 1001/64 246 1/2 246 1003/64 247 1005/64 247 1/2 247 1007/64 248 1009/64 248 1/2 248 1011/64 249 1013/64 249 1/2 249 1015/64 250 1017/64 250 1/2 250 1019/64 251 1021/64 251 1/2 251 1023/64 252 1025/64 252 1/2 252 1027/64 253 1029/64 253 1/2 253 1031/64 254 1033/64 254 1/2 254 1035/64 255 1037/64 255 1/2 255 1039/64 256 1041/64 256 1/2 256 1043/64 257 1045/64 257 1/2 257 1047/64 258 1049/64 258 1/2 258 1051/64 259 1053/64 259 1/2 259 1055/64 260 1057/64 260 1/2 260 1059/64 261 1061/64 261 1/2 261 1063/64 262 1065/64 262 1/2 262 1067/64 263 1069/64 263 1/2 263 1071/64 264 1073/64 264 1/2 264 1075/64 265 1077/64 265 1/2 265 1079/64 266 1081/64 266 1/2 266 1083/64 267 1085/64 267 1/2 267 1087/64 268 1089/64 268 1/2 268 1091/64 269 1093/64 269 1/2 269 1095/64 270 1097/64 270 1/2 270 1099/64 271 1101/64 271 1/2 271 1103/64 272 1105/64 272 1/2 272 1107/64 273 1109/64 273 1/2 273 1111/64 274 1113/64 274 1/2 274 1115/64 275 1117/64 275 1/2 275 1119/64 276 1121/64 276 1/2 276 1123/64 277 1125/64 277 1/2 277 1127/64 278 1129/64 278 1/2 278 1131/64 279 1133/64 279 1/2 279 1135/64 280 1137/64 280 1/2 280 1139/64 281 1141/64 281 1/2 281 1143/64 282 1145/64 282 1/2 282 1147/64 283 1149/64 283 1/2 283 1151/64 284 1153/64 284 1/2 284 1155/64 285 1157/64 285 1/2 285 1159/64 286 1161/64 286 1/2 286 1163/64 287 1165/64 287 1/2 287 1167/64 288 1169/64 288 1/2 288 1171/64 289 1173/64 289 1/2 289 1175/64 290 1177/64 290 1/2 290 1179/64 291 1181/64 291 1/2 291 1183/64 292 1185/64 292 1/2 292 1187/64 293 1189/64 293 1/2 293 1191/64 294 1193/64 294 1/2 294 1195/64 295 1197/64 295 1/2 295 1199/64 296 1201/64 296 1/2 296 1203/64 297 1205/64 297 1/2 297 1207/64 298 1209/64 298 1/2 298 1211/64 299 1213/64 299 1/2 299 1215/64 300 1217/64 300 1/2 300 1219/64 301 1221/64 301 1/2 301 1223/64 302 1225/64 302 1/2 302 1227/64 303 1229/64 303 1/2 303 1231/64 304 1233/64 304 1/2 304 1235/64 305 1237/64 305 1/2 305 1239/64 306 1241/64 306 1/2 306 1243/64 307 1245/64 307 1/2 307 1247/64 308 1249/64 308 1/2 308 1251/64 309 1253/64 309 1/2 309 1255/64 310 1257/64 310 1/2 310 1259/64 311 1261/64 311 1/2 311 1263/64 312 1265/64 312 1/2 312 1267/64 313 1269/64 313 1/2 313 1271/64 314 1273/64 314 1/2 314 1275/64 315 1277/64 315 1/2 315 1279/64 316 1281/64 316 1/2 316 1283/64 317 1285/64 317 1/2 317 1287/64 318 1289/64 318 1/2 318 1291/64 319 1293/64 319 1/2 319 1295/64 320 1297/64 320 1/2 320 1299/64 321 1301/64 321 1/2 321 1303/64 322 1305/64 322 1/2 322 1307/64 323 1309/64 323 1/2 323 1311/64 324 1313/64 324 1/2 324

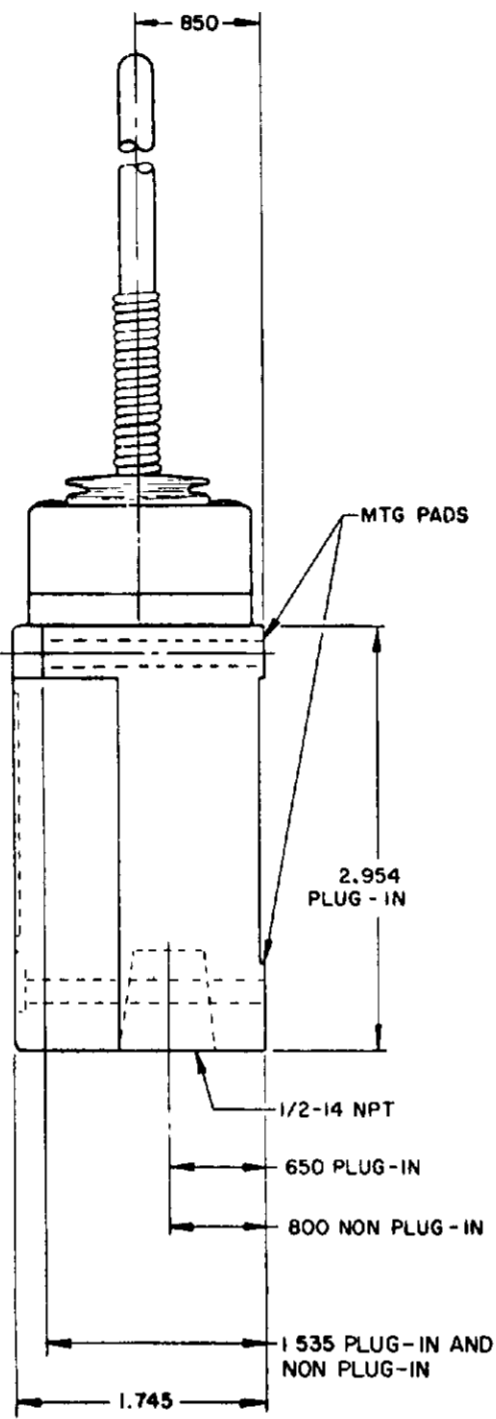
WOBBLE STICK

SINGLE POLE

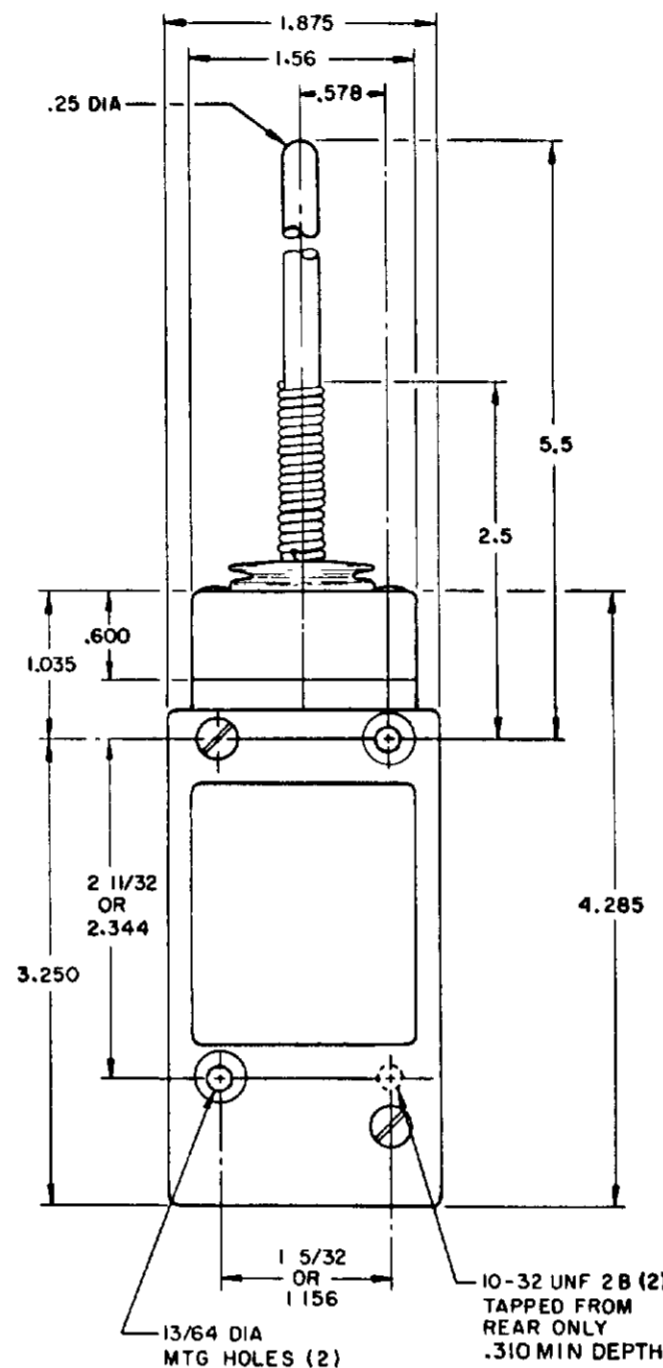
DOUBLE POLE



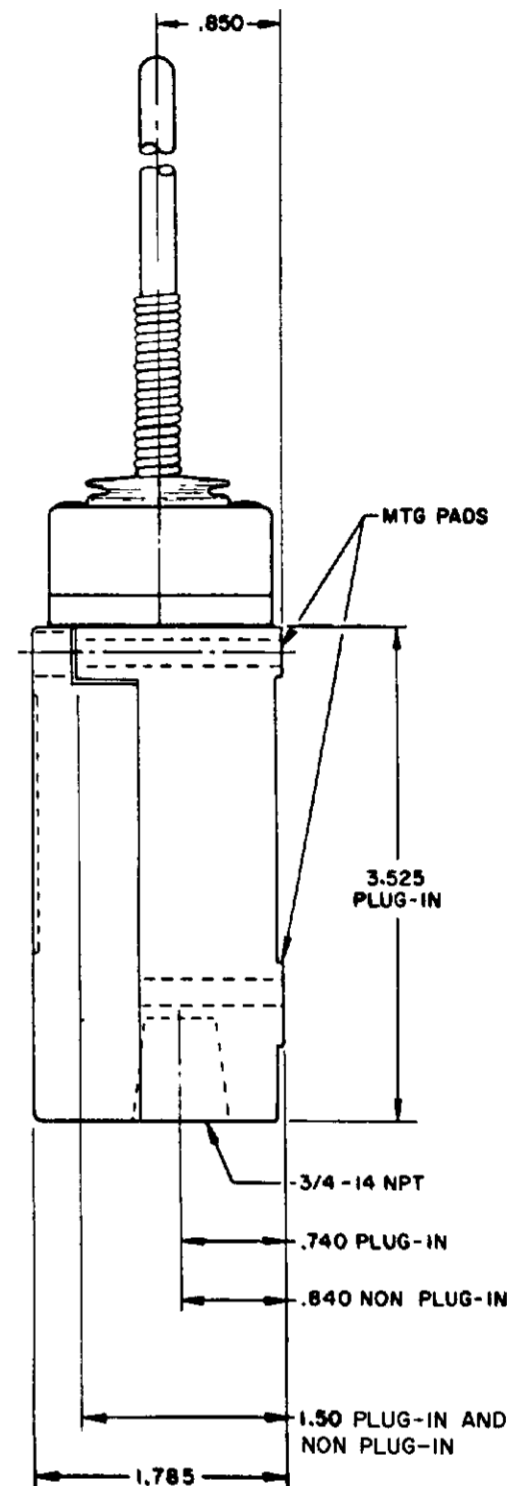
PLASTIC EXTENSION
 TYPE 7A ACTUATOR



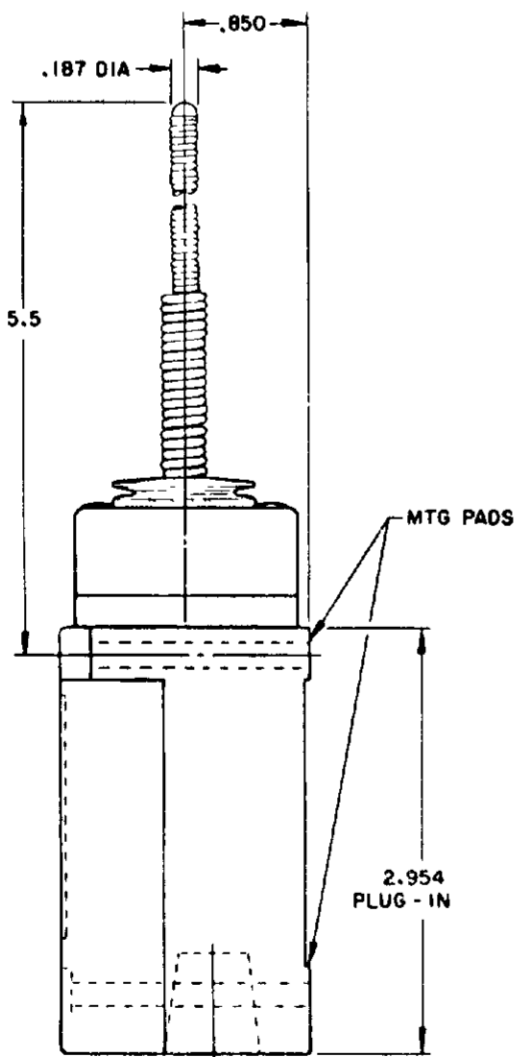
REPLACEMENT ACTUATOR
 LSZ 4009



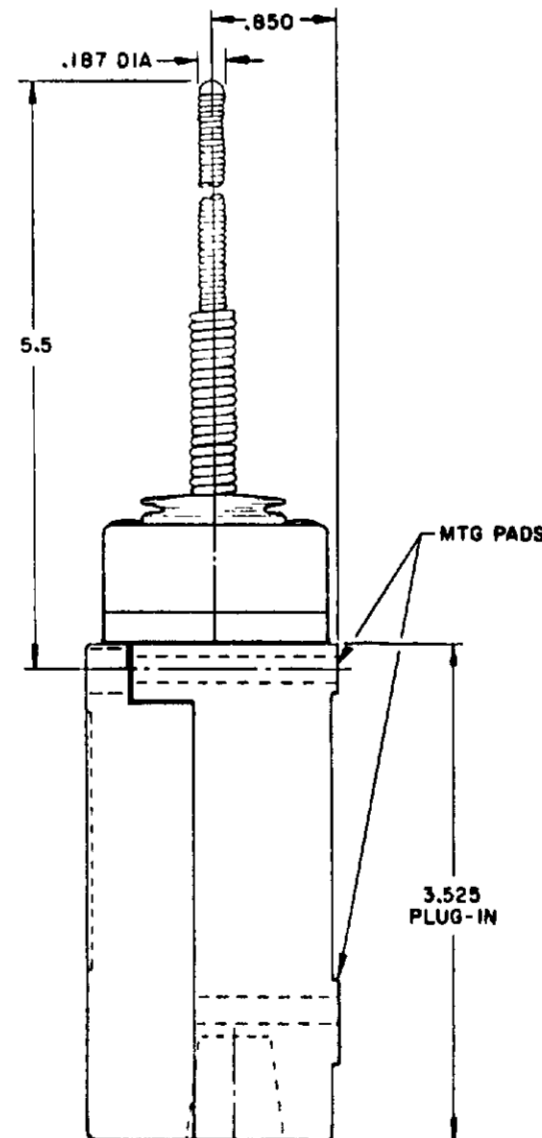
PLASTIC EXTENSION
 TYPE 7A ACTUATOR



REPLACEMENT ACTUATOR
 LSZ 4011

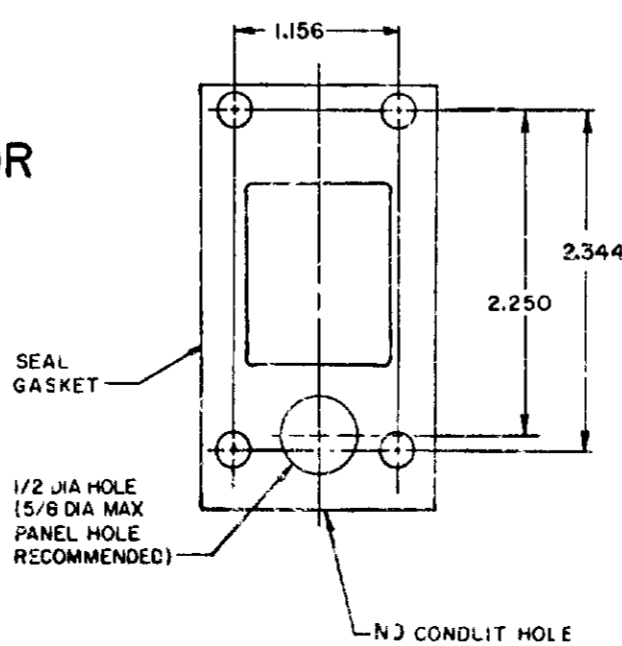


CABLE EXTENSION
 TYPE 7N ACTUATOR



CABLE EXTENSION
 TYPE 7N ACTUATOR

MANIFOLD MOUNT (PLUG-IN ONLY)
 SINGLE POLE AND DOUBLE POLE
 TYPE LSYA THROUGH LSYW SERIES



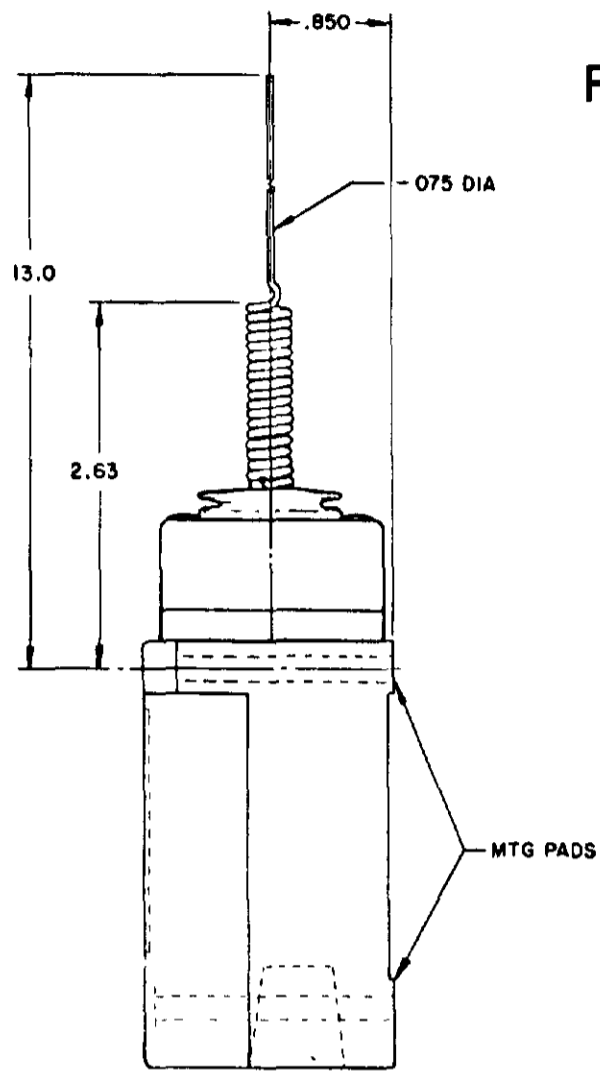
NOTES:
 1 - ALL UNITS AVAILABLE WITH
 FLOUROSILICONE AND VITON SEALS

MICRO SWITCH
 FREEMONT ILLINOIS U.S.A.
 A DIVISION OF HONEYWELL
 780 MFG. CODE 8188

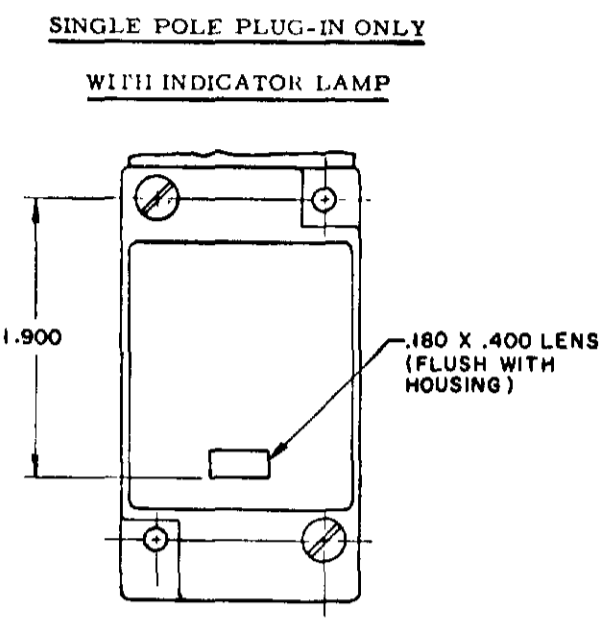
SWITCH-ENCLOSED

LSY SERIES
 CATALOG LISTING
 CHART 1

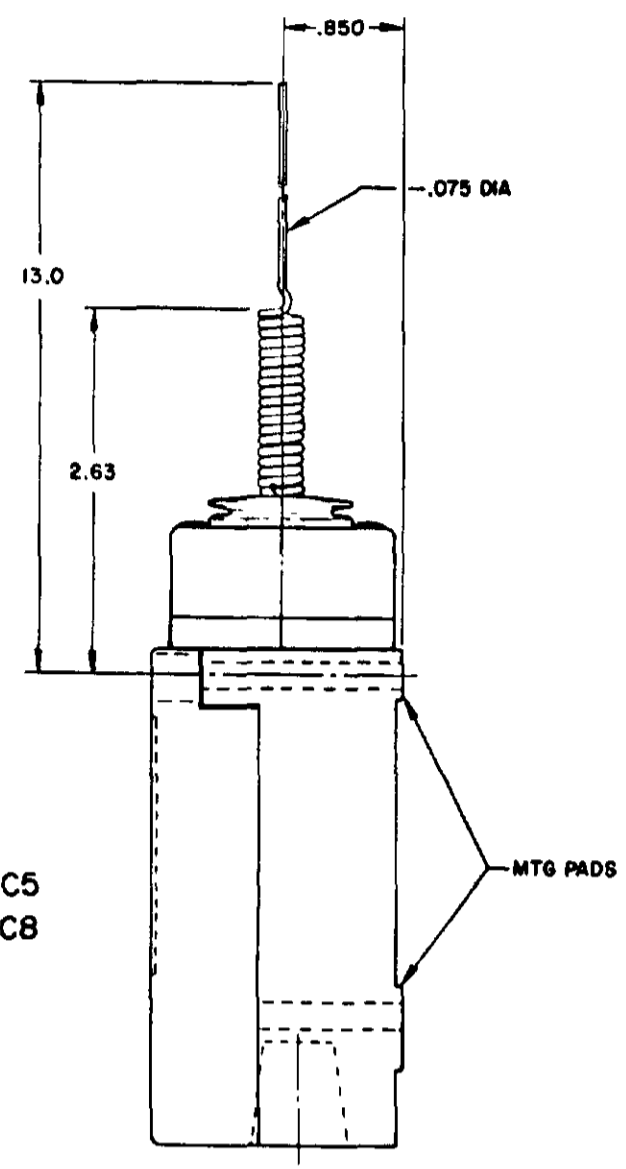
SCALE NONE
 DO NOT SCALE PRINT



REPLACEMENT ACTUATOR LSZ4010



120 LAMP VOLTAGE TYPE-LSYJB5 & LSYJC5
 240 LAMP VOLTAGE TYPE-LSYJB8 & LSYJC8



WIRE EXTENSION TYPE 7M ACTUATOR

FLOUROSILICONE SEALS
 LSYJB2 & LSYJB4
 LSYJB6 & LSYJB7 HAVE 1/2-14 NPT CONDUIT HOLE
 VITON SEALS LSYJC2 & LSYJC4
 LSYJC6 & LSYJC7 HAVE 1/2-14 NPT CONDUIT HOLE

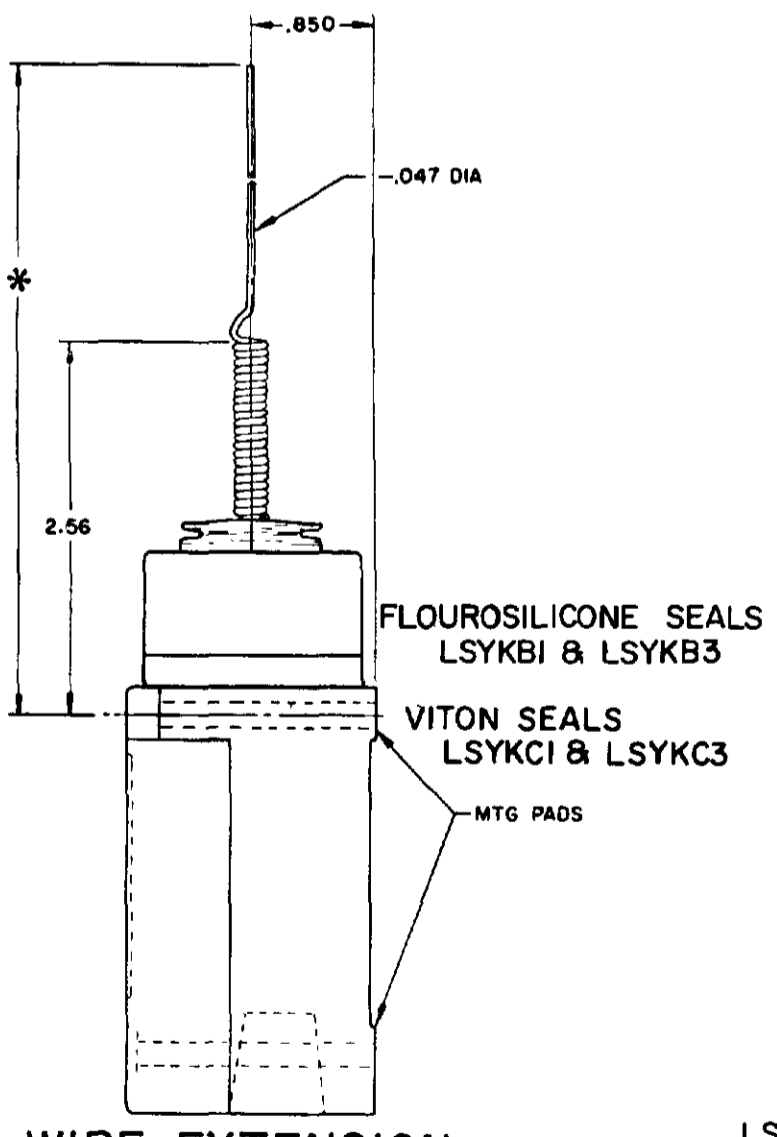
WIRE EXTENSION TYPE 7M ACTUATOR

FLOUROSILICONE SEALS
 LSYJB1 & LSYJB3
 VITON SEALS
 LSYJC1 & LSYJC3

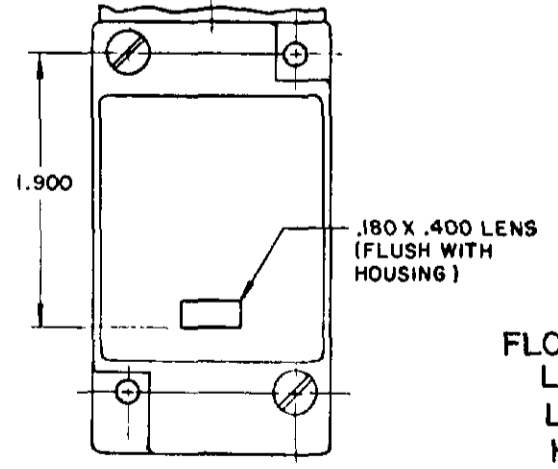
REPLACEMENT ACTUATOR LSZ 4010

CAT WHISKER

SINGLE POLE



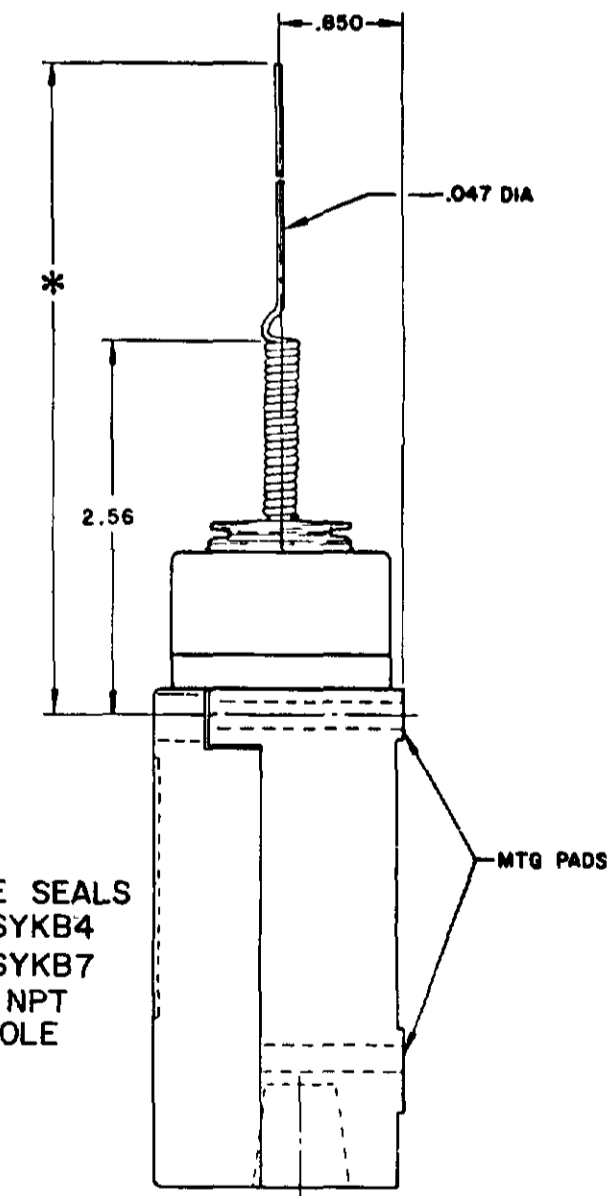
SINGLE POLE PLUG-IN ONLY
 WITH INDICATOR LAMP



FLOUROSILICONE SEALS
 120 LAMP VOLTAGE
 LSYKB5 CAT WHISKER LSYBB5 TOP ROTARY
 240 LAMP VOLTAGE
 LSYKB8 CAT WHISKER LSYBB8 TOP ROTARY

VITON SEALS
 120 LAMP VOLTAGE
 LSYKC5 CAT WHISKER LSYBC5 TOP ROTARY
 240 LAMP VOLTAGE
 LSYKC8 CAT WHISKER LSYBC8 TOP ROTARY

DOUBLE POLE



FLOUROSILICONE SEALS
 LSYKB2 & LSYKB4
 LSYKB6 & LSYKB7
 HAVE 1/2-14 NPT
 CONDUIT HOLE

WIRE EXTENSION REPLACEMENTS

*TYPE 8 A ACTUATOR 5.5 IN.-LSZ 4012
 TYPE 8 B ACTUATOR 7.5 IN.-LSZ 4013
 TYPE 8 C ACTUATOR 5.5 IN.-LSZ 4014

WIRE EXTENSION
 *TYPE 8 A ACTUATOR 5.5 IN.
 TYPE 8 B ACTUATOR 7.5 IN.
 TYPE 8 C COIL ACTUATOR 5.5 IN

PRETRAVEL (APPROX) IN. RADIUS	CAT WHISKER			WOBBLE STICK		
	5/12" COIL	5/12" WIRE	7/12" WIRE	ROD	CABLE	WIRE
	2	2	4.5	1.0	1.5	4.0
OPERATING FORCE-OZ (MAX)	7.0	5.0	3.0	10.0	7.0	5.0

NOTE-
 1 - ALL UNITS AVAILABLE WITH
 FLOUROSILICONE AND VITON SEALS

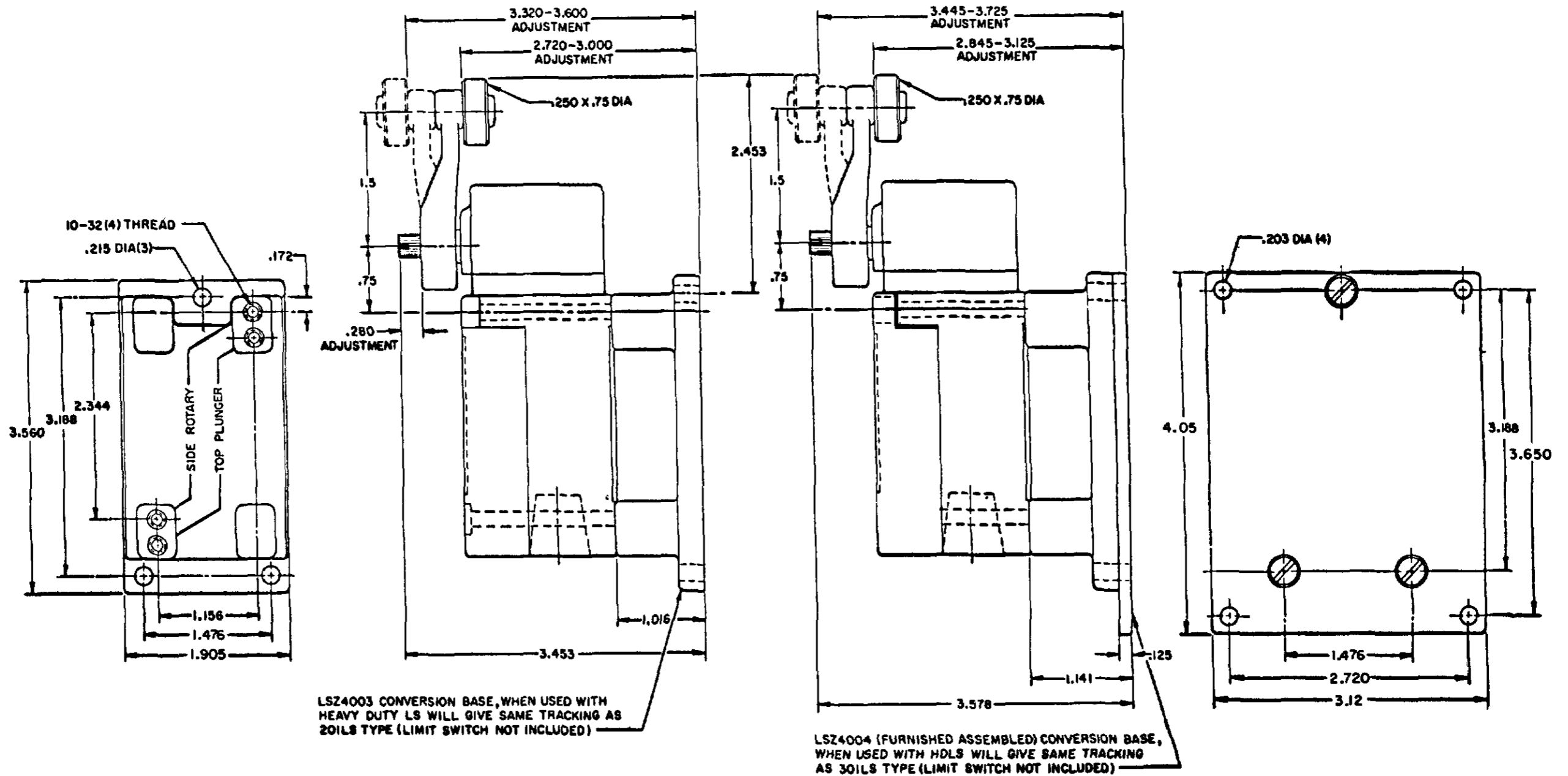
MICRO SWITCH
 THIS DRAWING COVERS A PROPRIETARY ITEM AND IS THE PROPERTY OF MICRO SWITCH A DIVISION OF
 HONEYWELL THIS DRAWING IS NOT TO BE COPIED OR USED WITHOUT THE APPROVAL OF MICRO SWITCH
 A DIVISION OF HONEYWELL
 FREEDPORT ILLINOIS U.S.A.
 REG. U.S. PAT. & TM. OFF.
 CAT. LISTING
LSY SERIES
CHART 1

SCALE NONE
 DO NOT SCALE PRINT

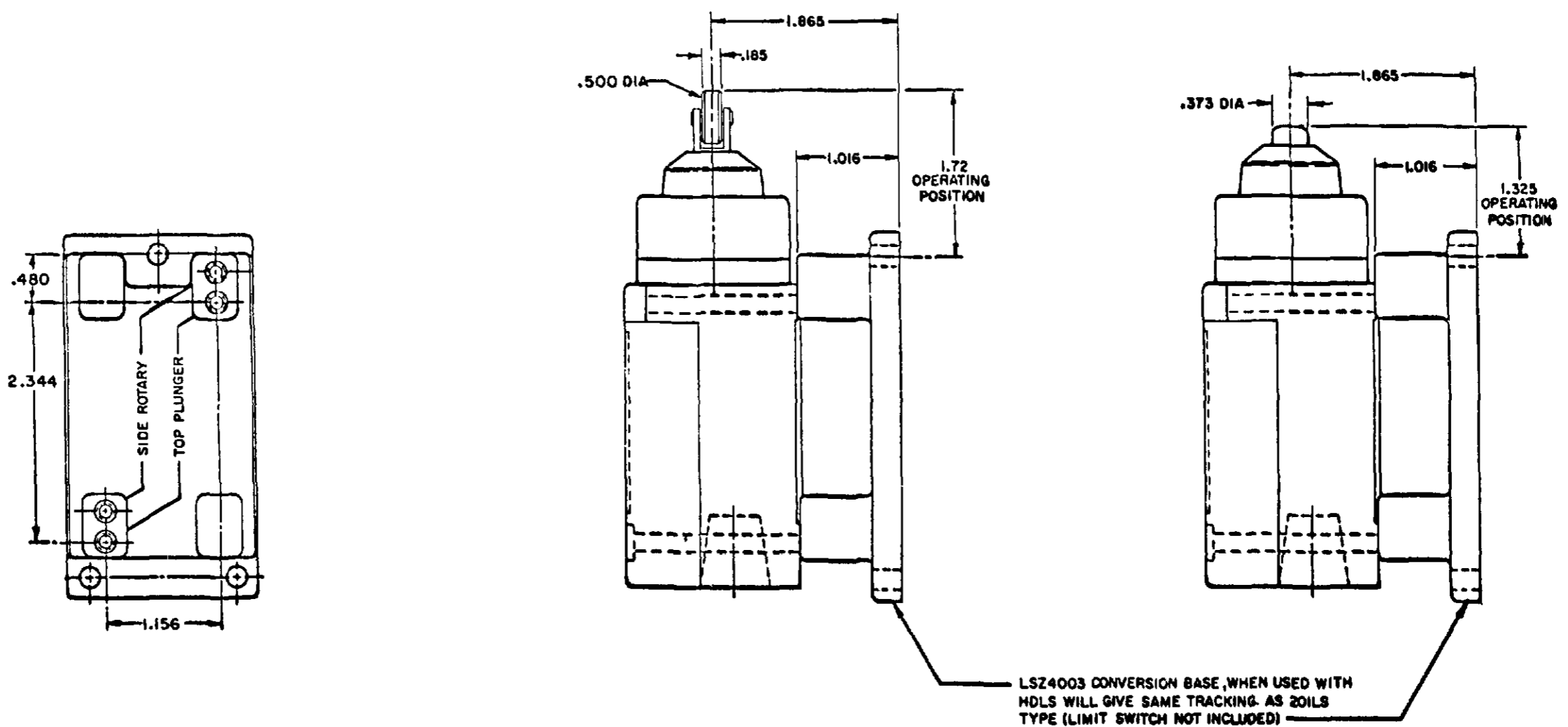
CONVERSION BASES

SINGLE POLE (SIDE ROTARY) LSZ 4003

DOUBLE POLE (SIDE ROTARY) LSZ4004



SINGLE POLE TOP PLUNGER LSZ4003



MICRO SWITCH
 A DIVISION OF HONEYWELL
 PREPARED ILLINOIS U.S.A.
 F.D. MFG. CODE 8188

THIS DRAWING COVERS A PROPRIETARY ITEM AND IS THE PROPERTY OF MICRO SWITCH, A DIVISION OF HONEYWELL. THIS DRAWING IS NOT TO BE COPIED OR USED WITHOUT THE APPROVAL OF MICRO SWITCH.

SWITCH - ENCLOSED

LSY SERIES
 CATALOG LISTING
 CHART 1

SCALE FULL
 DO NOT SCALE PRINT



Компания «ЭлектроПласт» предлагает заключение долгосрочных отношений при поставках импортных электронных компонентов на взаимовыгодных условиях!

Наши преимущества:

- Оперативные поставки широкого спектра электронных компонентов отечественного и импортного производства напрямую от производителей и с крупнейших мировых складов;
- Поставка более 17-ти миллионов наименований электронных компонентов;
- Поставка сложных, дефицитных, либо снятых с производства позиций;
- Оперативные сроки поставки под заказ (от 5 рабочих дней);
- Экспресс доставка в любую точку России;
- Техническая поддержка проекта, помощь в подборе аналогов, поставка прототипов;
- Система менеджмента качества сертифицирована по Международному стандарту ISO 9001;
- Лицензия ФСБ на осуществление работ с использованием сведений, составляющих государственную тайну;
- Поставка специализированных компонентов (Xilinx, Altera, Analog Devices, Intersil, Interpoint, Microsemi, Aeroflex, Peregrine, Syfer, Eurofarad, Texas Instrument, Miteq, Cobham, E2V, MA-COM, Hittite, Mini-Circuits, General Dynamics и др.);

Помимо этого, одним из направлений компании «ЭлектроПласт» является направление «Источники питания». Мы предлагаем Вам помощь Конструкторского отдела:

- Подбор оптимального решения, техническое обоснование при выборе компонента;
- Подбор аналогов;
- Консультации по применению компонента;
- Поставка образцов и прототипов;
- Техническая поддержка проекта;
- Защита от снятия компонента с производства.



Как с нами связаться

Телефон: 8 (812) 309 58 32 (многоканальный)

Факс: 8 (812) 320-02-42

Электронная почта: org@eplast1.ru

Адрес: 198099, г. Санкт-Петербург, ул. Калинина, дом 2, корпус 4, литера А.