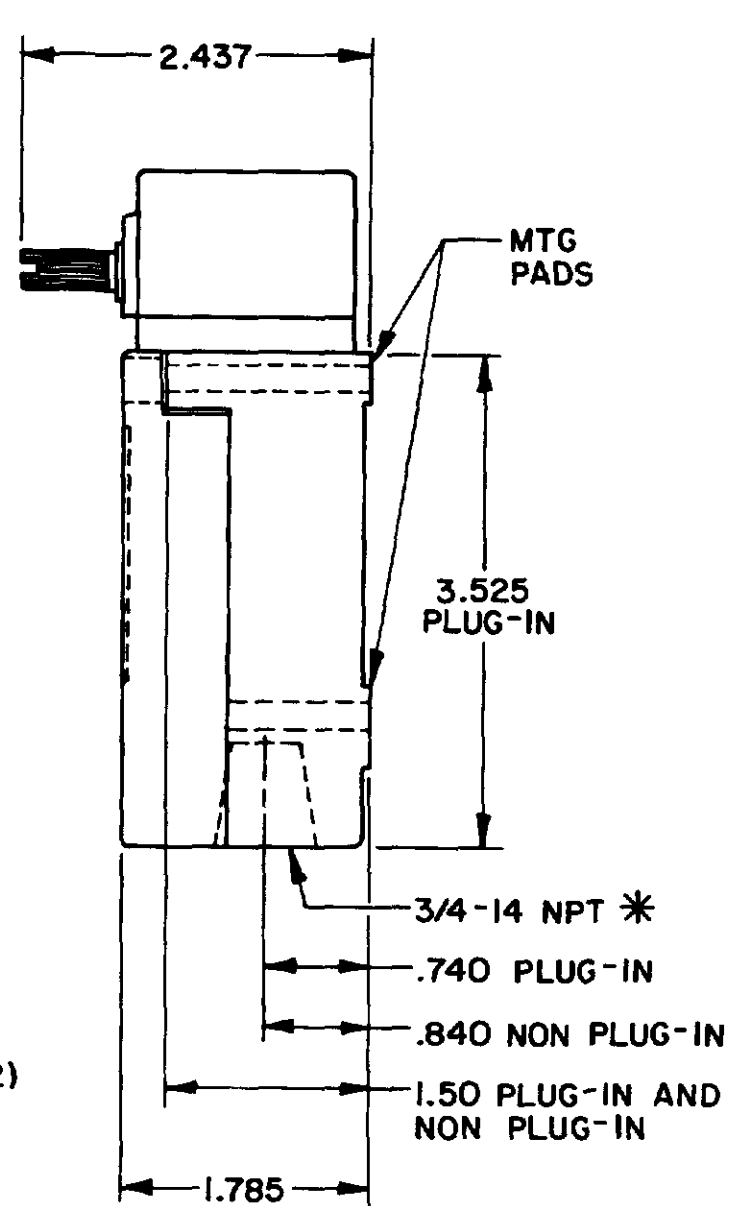
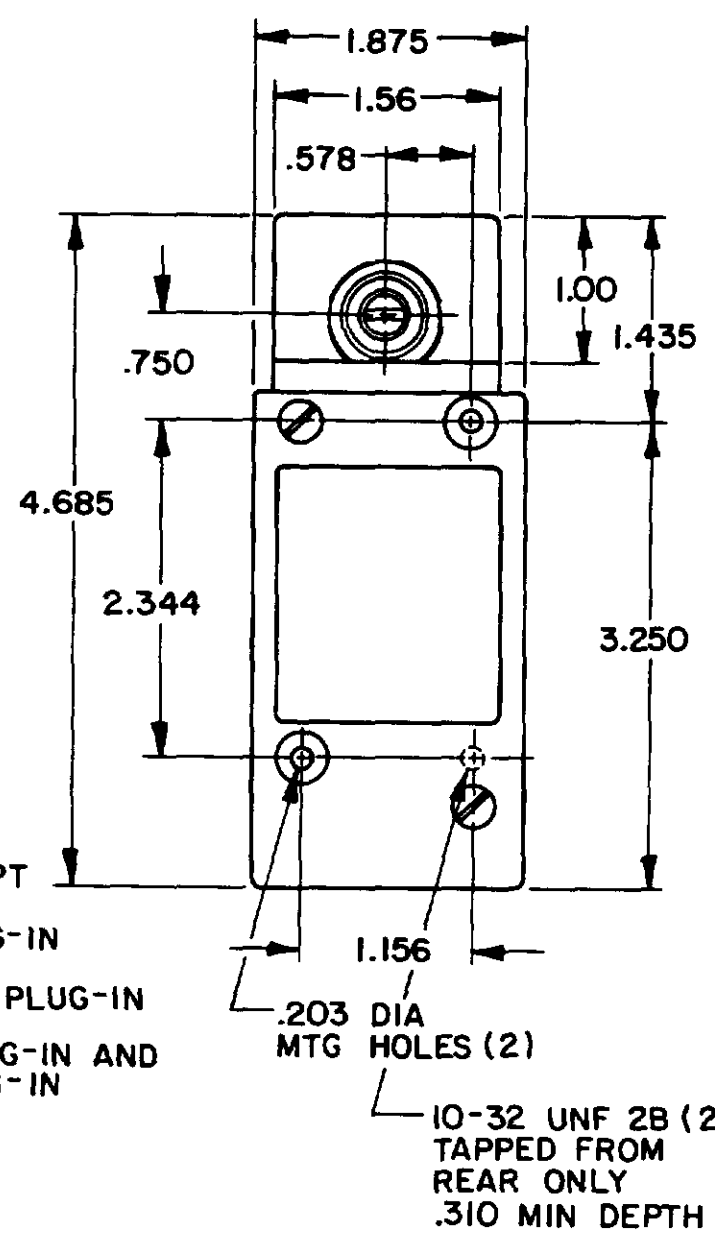
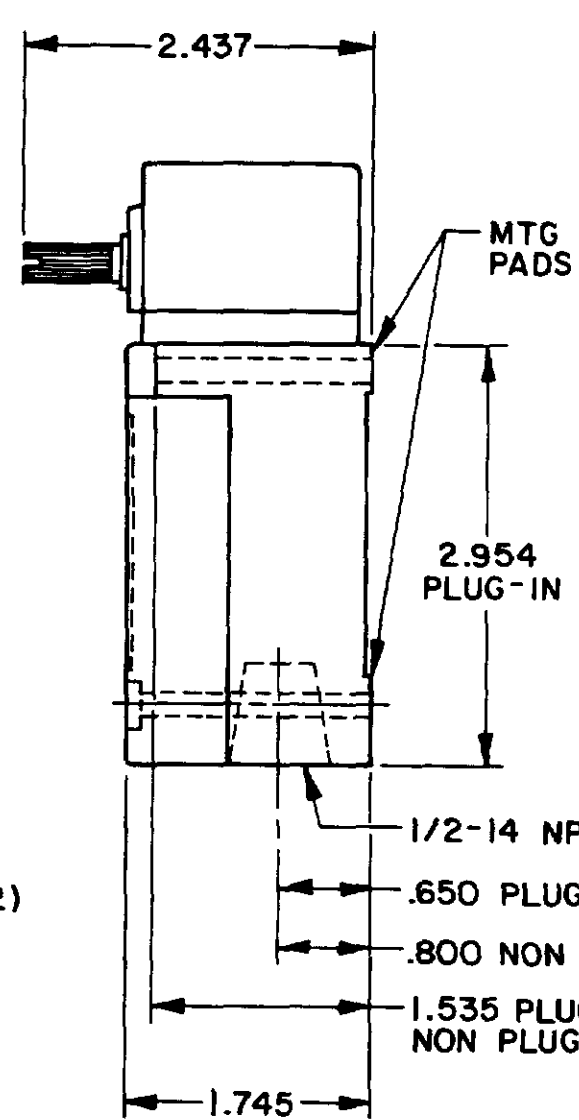
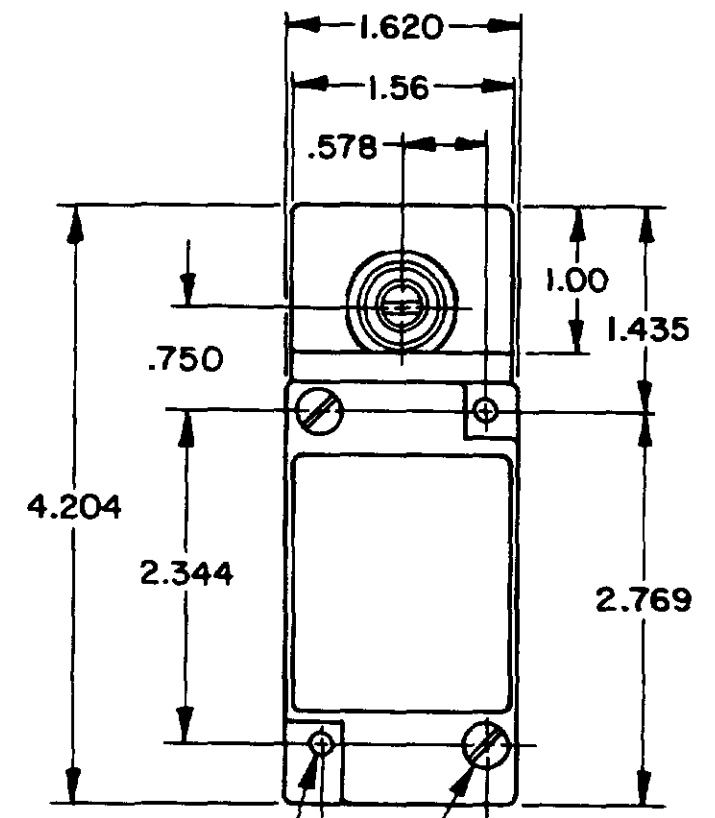


OPERATING CHARACTERISTICS	LSYA MOMENTARY		LSYR MOMENTARY LOW TORQUE		LSYN MAINTAINED	LSYP MOMENTARY LOW PRETRAVEL AND DIFF. TRAVEL		LSYH MOMENTARY LOW PRETRAVEL AND LOW TORQUE		LSYL SEQUENCE DOUBLE POLE ONLY	LSYM CENTER NEUTRAL DOUBLE POLE ONLY	LSYS GRAVITY RETURN	LSYU LOW PRETRAVEL	
	SINGLE POLE	DOUBLE POLE	SINGLE POLE	DOUBLE POLE		SINGLE POLE	DOUBLE POLE	SINGLE POLE	DOUBLE POLE				SGL POLE	DBL POLE
PRETRAVEL(MAX)	15°	15°	15°	15°	65°	9°	9°	9°	9°	1ST STEP 15° 2ND STEP 10° ADD'L	18°	NOT APPLICABLE	5°	
OVERTRAVEL(MIN)	60°	60°	60°	60°	20°	68°	68°	68°	68°	48°	57°	NOT APPLICABLE	70°	
DIFFERENTIAL TRAVEL(MAX)	5°	7°	5°	7°	40°	3°	4°	3°	4°	5°	10°	12°	3°	4°
TOTAL TRAVEL (REF)	75°	75°	75°	75°	90°	75°	75°	75°	75°	75°	75°	360°	75°	
OPERATING TORQUE(MAX)	4 IN. LBS	4 IN. LBS	1.7 IN. LBS	1.7 IN. LBS	4 IN. LBS	4 IN. LBS	4 IN. LBS	1.7 IN. LBS	1.7 IN. LBS	4 IN. LBS	4 IN. LBS	5 IN-OZ	4 IN. LBS	
FULL TRAVEL TORQUE(MAX)	4 IN. LBS	4 IN. LBS	1.7 IN. LBS	1.7 IN. LBS		4 IN. LBS	4 IN. LBS	1.7 IN. LBS	1.7 IN. LBS	4 IN. LBS	4 IN. LBS	5 IN-OZ	4 IN. LBS	

SIDE ROTARY

SINGLE POLE

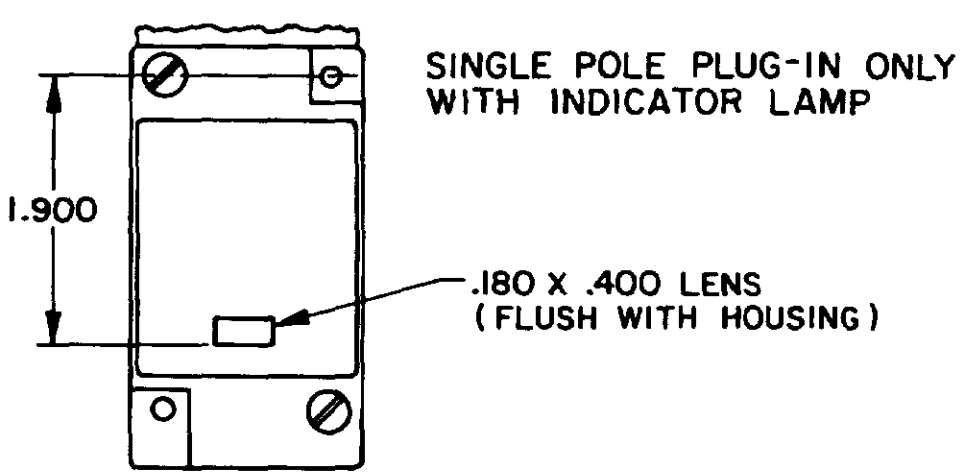
DOUBLE POLE



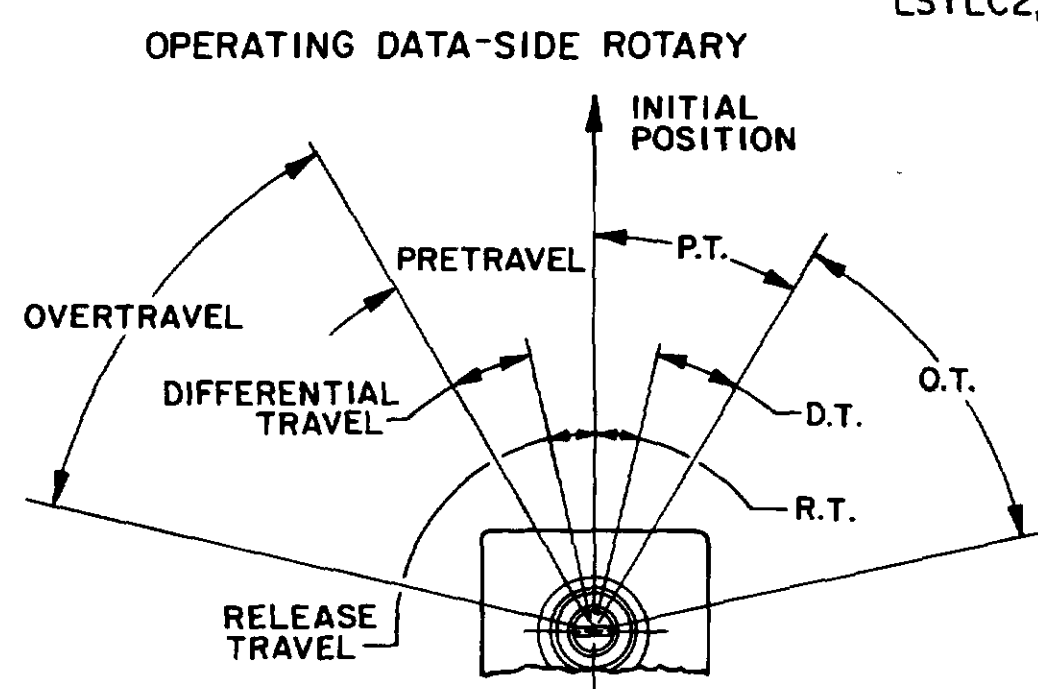
FLOUROSILICONE SEALS: LSYABI, LSYHBI, LSYNBI, LSYBBI, LSYRBI, LSYHB3, LSYPB3, LSYRB3, LSYSB1
 VITON: LSYAC1, LSYHCI, LSYNC1, LSYPC1, LSYRC1, LSYAC3, LSYHC3, LSYNC3, LSYPC3, LSYRC3, LSYSC1

FLOUROSILICONE SEALS: LSYAB2, LSYHB2, LSYMB2, LSYNB2, LSYPB2, LSYRB2, LSYAB4, LSYHB4, LSYMB4, LSYNB4, LSYPB4, LSYRB4
 * (LSYAB6, LSYHB6, LSYMB6, LSYNB6, LSYPB6, LSYRB6, LSYAB7, LSYHB7, LSYMB7, LSYNB7, LSYPB7, LSYRB7 HAVE 1/2-14 CONDUIT HOLE)

VITON SEALS: LSYAC2, LSYHC2, LSYNC2, LSYPC2, LSYRC2, LSYAC4, LSYHC4, LSYNC4, LSYPC4, LSYRC4, LSYMC2, LSYMC4, LSYMC6, LSYMC7, LSYLC2, LSYLC4, LSYLC6, LSYLC7

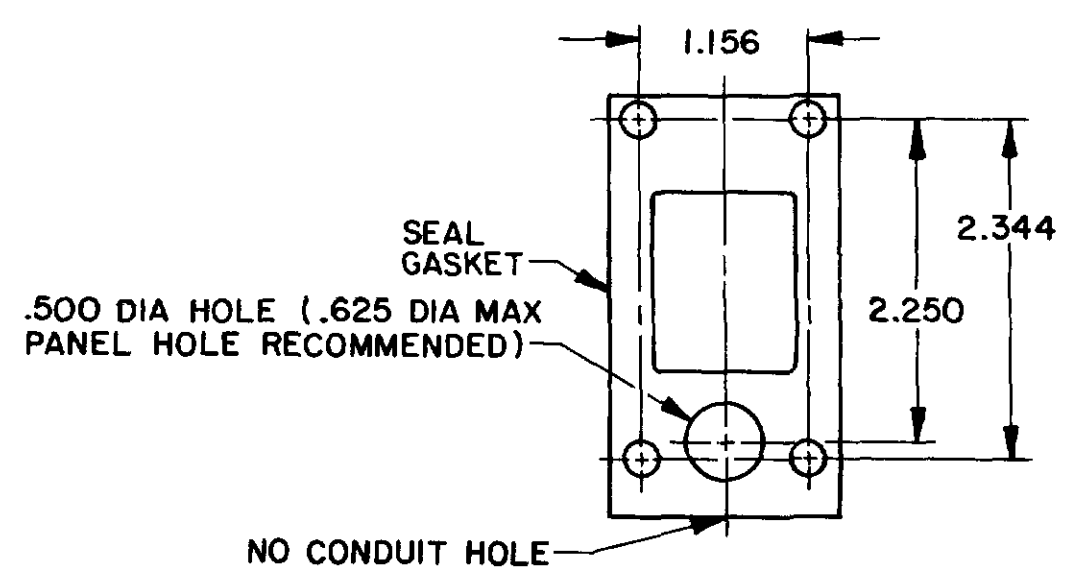


120 LAMP VOLTAGE -
 TYPE LSYAB5, LSYHB5, LSYNB5, LSYPB5, LSYRB5, LSYAC5, LSYHC5, LSYNC5, LSYPC5, LSYRC5
 240 LAMP VOLTAGE -
 TYPE LSYAB8, LSYHB8, LSYNB8, LSYPB8, LSYRB8, LSYAC8, LSYHC8, LSYNC8, LSYPC8, LSYRC8



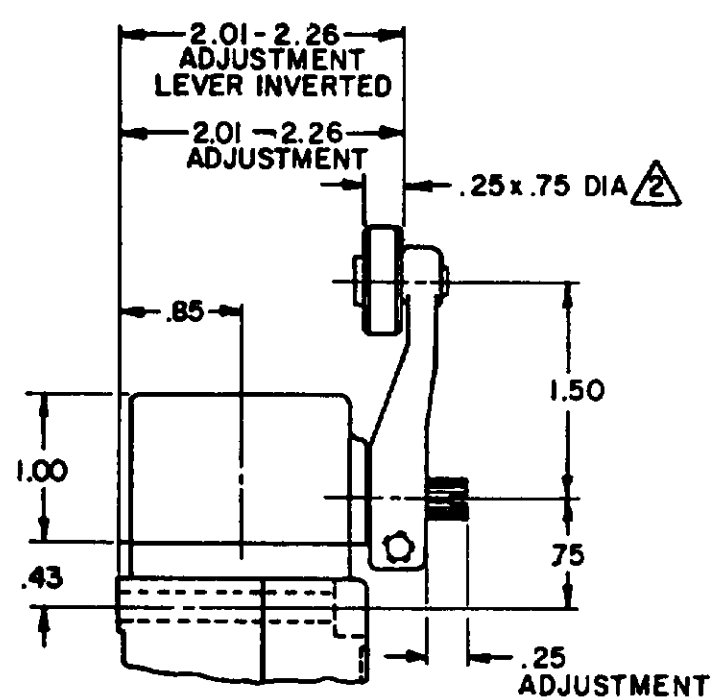
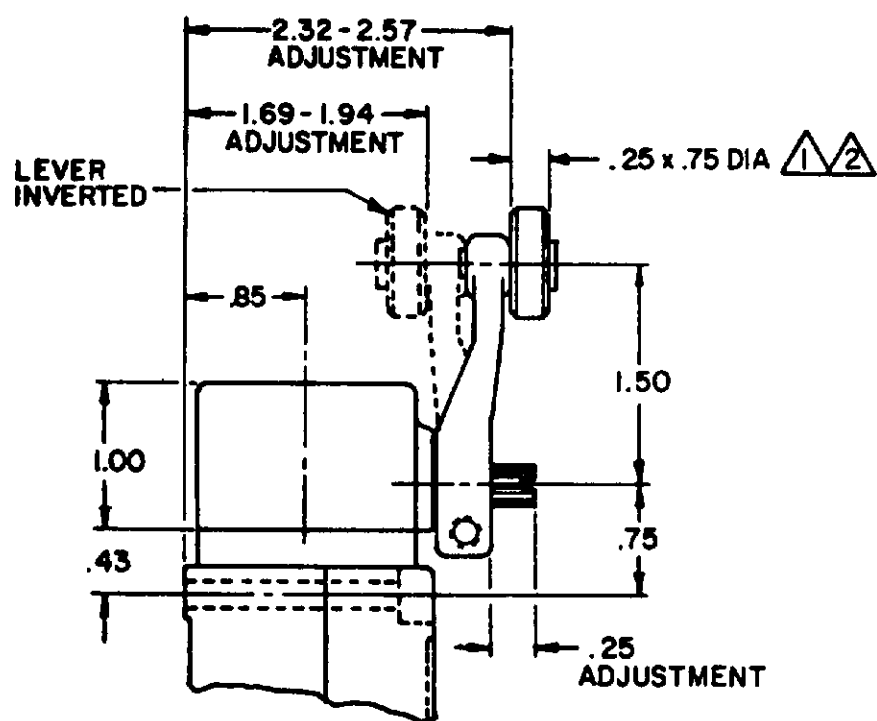
NOTE
 1 - ALL UNITS AVAILABLE WITH FLUOROSILICONE AND VITON SEALS

MANIFOLD MOUNT (PLUG-IN ONLY)
 SINGLE POLE AND DOUBLE POLE
 TYPE LSYA THROUGH LSYW SERIES

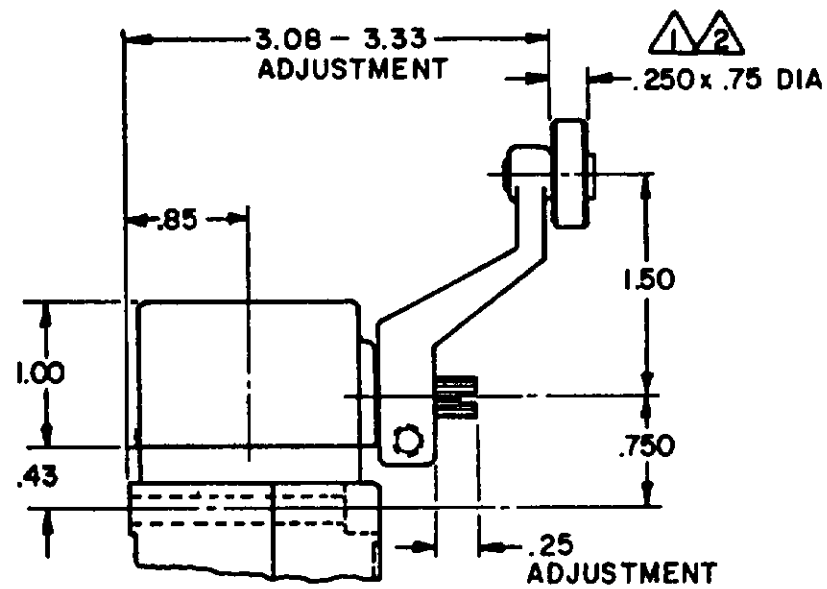
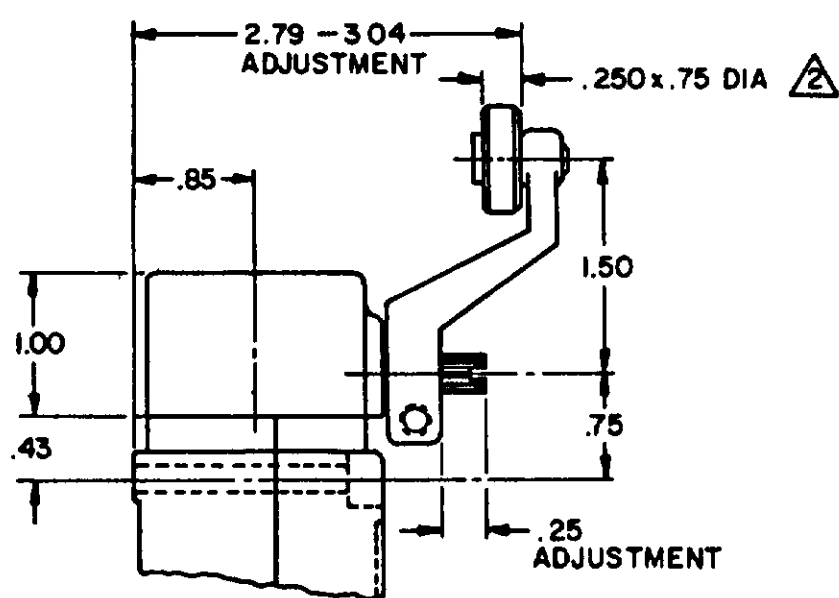


MICRO SWITCH
 THIS DRAWING COVERS A PROPRIETARY ITEM AND IS THE PROPERTY OF MICRO SWITCH, A DIVISION OF FREEPORT ELECTRONICS U.S.A. A DIVISION OF HONEYWELL. IT IS NOT TO BE COPIED OR USED WITHOUT THE APPROVAL OF MICRO SWITCH.
 MICRO SWITCH - ENCLOSED
 LSY SERIES
 CHART 1

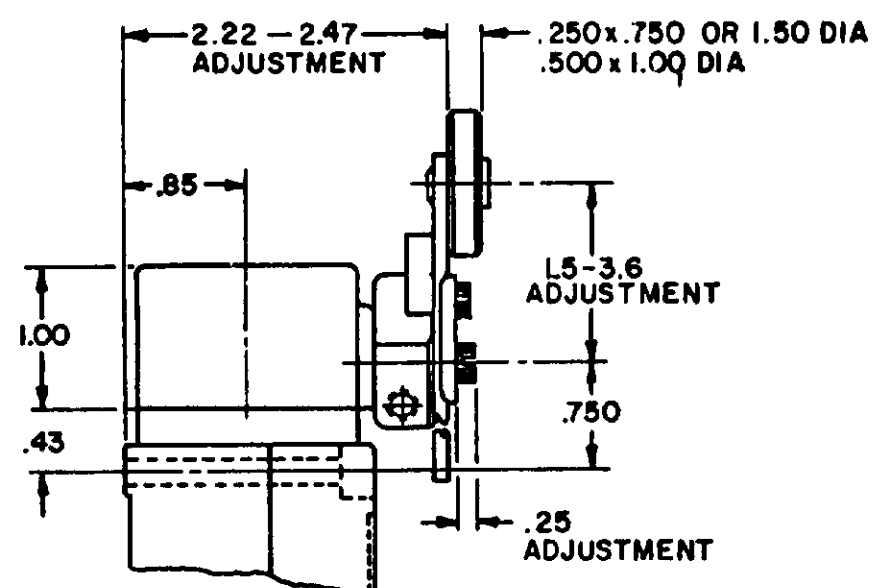
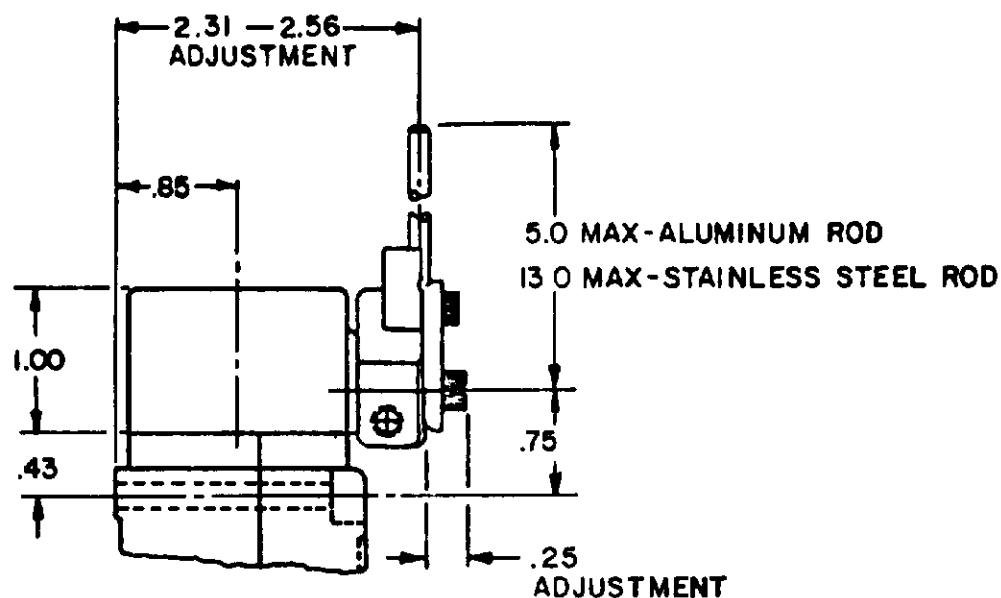
SIDE ROTARY CAM TRACKING



LSZ51 TYPE LEVERS

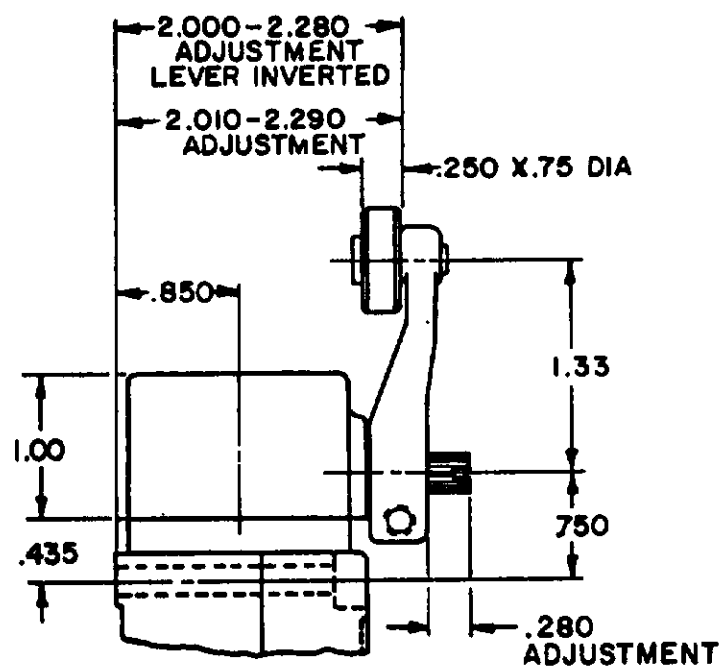
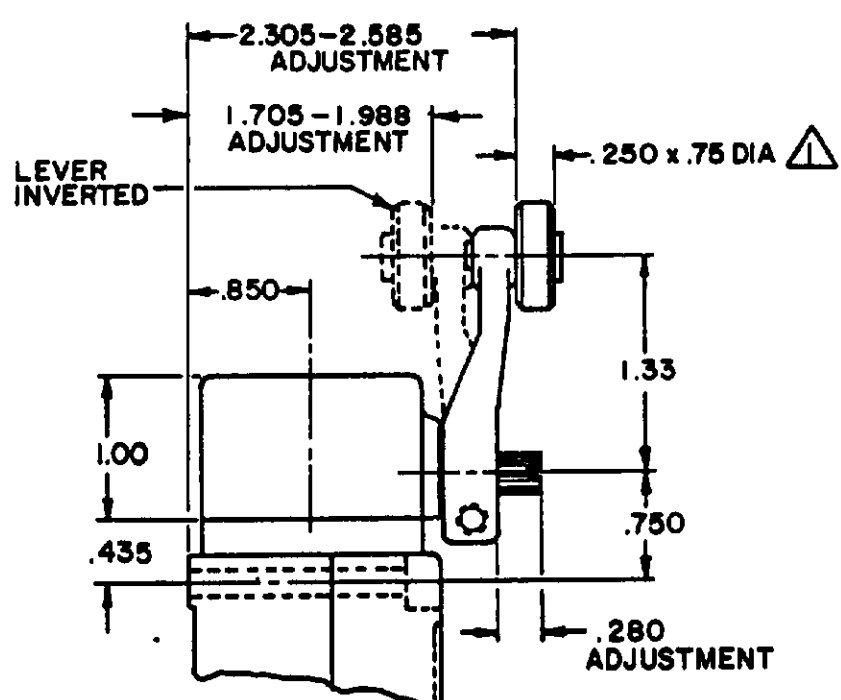


LSZ55 TYPE LEVERS



LSZ54 TYPE LEVER

LSZ52 TYPE LEVER



LSZ59 TYPE LEVERS

NOTES

- ▲ ALSO AVAILABLE IN .250 X 1.500 DIA NYLON, BUT LEVER CANNOT BE INVERTED
- ▲ FOR ADDITIONAL ROLLER WIDTHS AND/OR DIAMETERS REFER TO (M)
- 3 - FOR ADDITIONAL TYPES OF ROLLERS AND LEVERS REFER TO LSZ CHART 1 (M)

THIS DRAWING COVERS A PROPRIETARY ITEM AND IS THE PROPERTY OF MICRO SWITCH A DIVISION OF HONEYWELL. THIS DRAWING IS NOT TO BE COPIED OR USED WITHOUT THE APPROVAL OF MICRO SWITCH.

MICRO SWITCH
a Honeywell Division

STD. MFG. CODE 31823

LSY SERIES
CATALOG LISTING
CHART 1

THIRD ANGLE PROJECTION

SCALE NONE

DO NOT SCALE PRINT

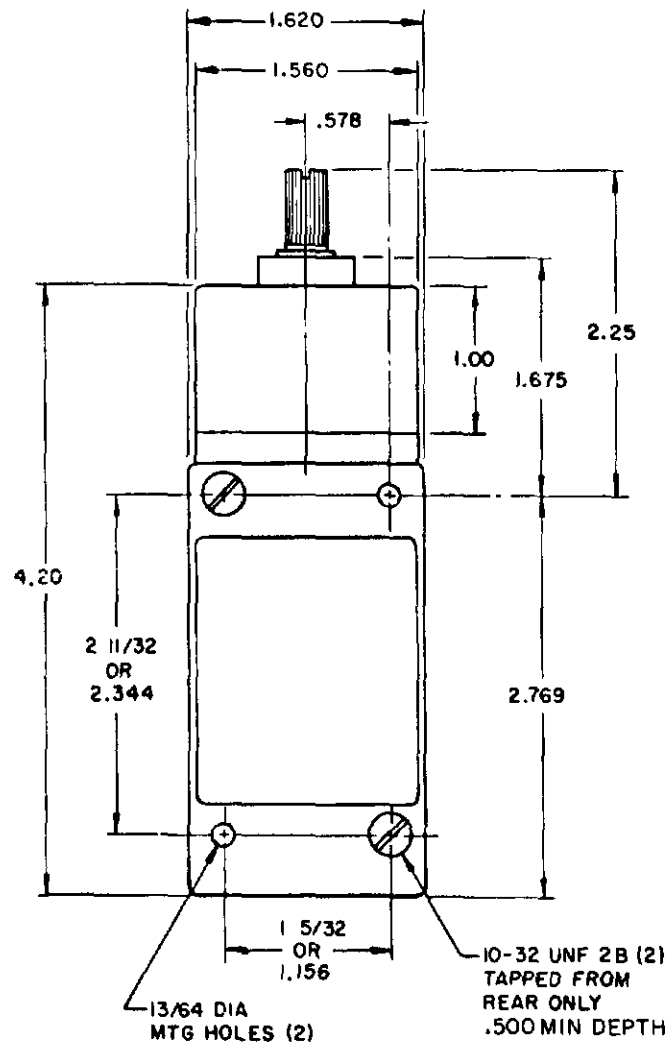
UNLESS OTHERWISE SPECIFIED TOLERANCES ARE

ONE PLACE	(.0)	± .030
TWO PLACE	(.00)	± .015
THREE PLACE	(.000)	± .005
ANGLES		±

WEIGHT

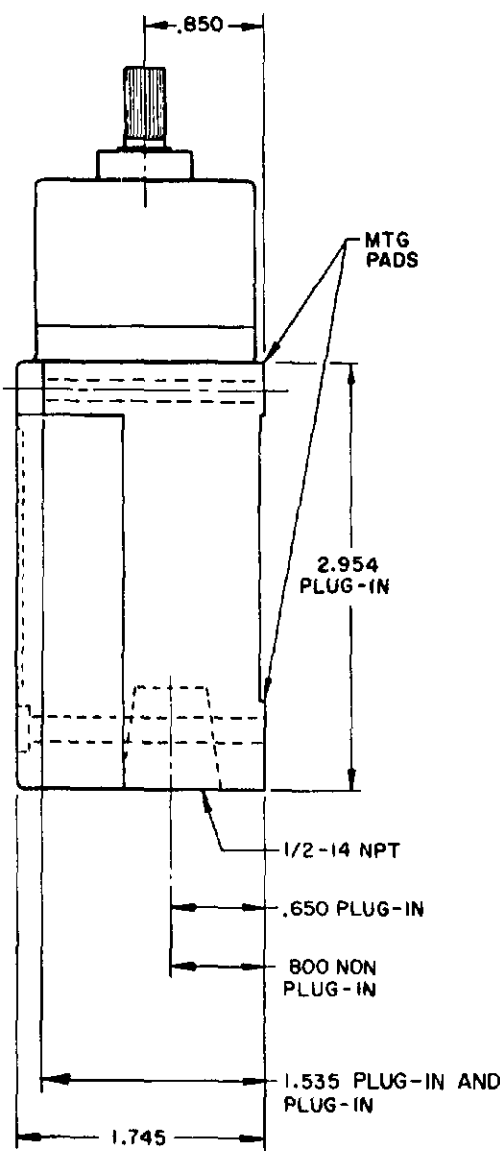
TOP ROTARY

SINGLE POLE

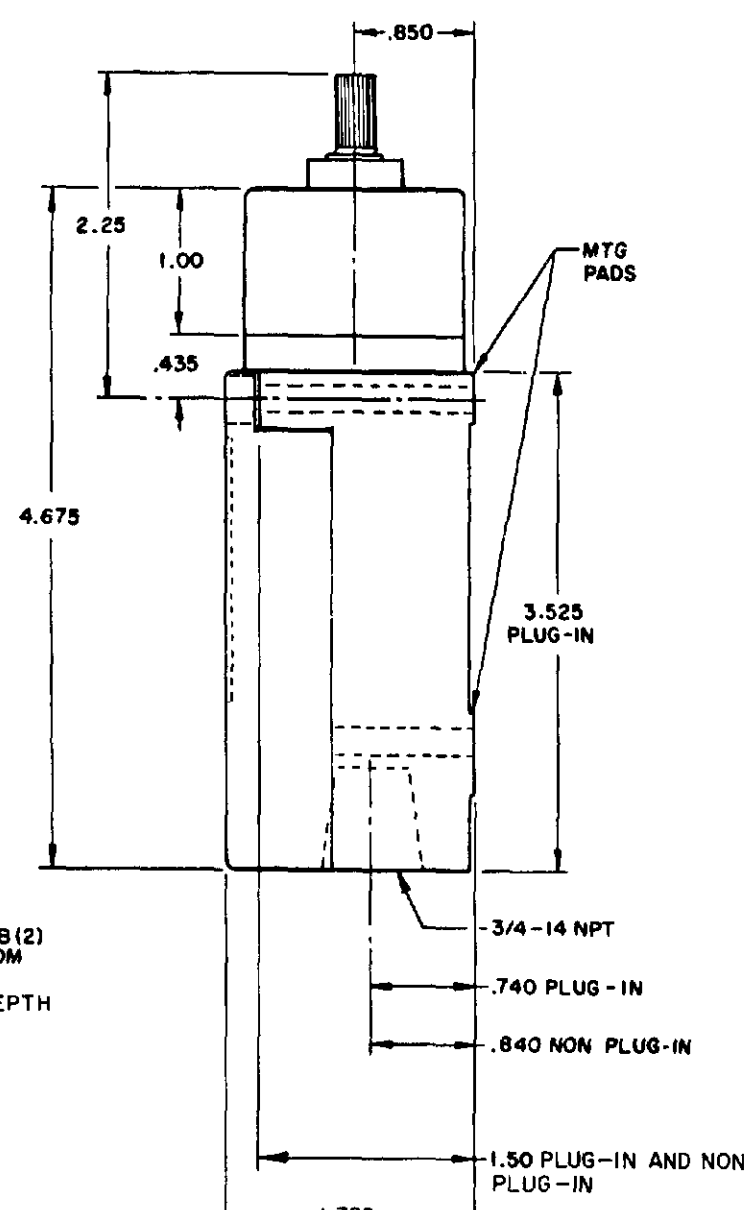
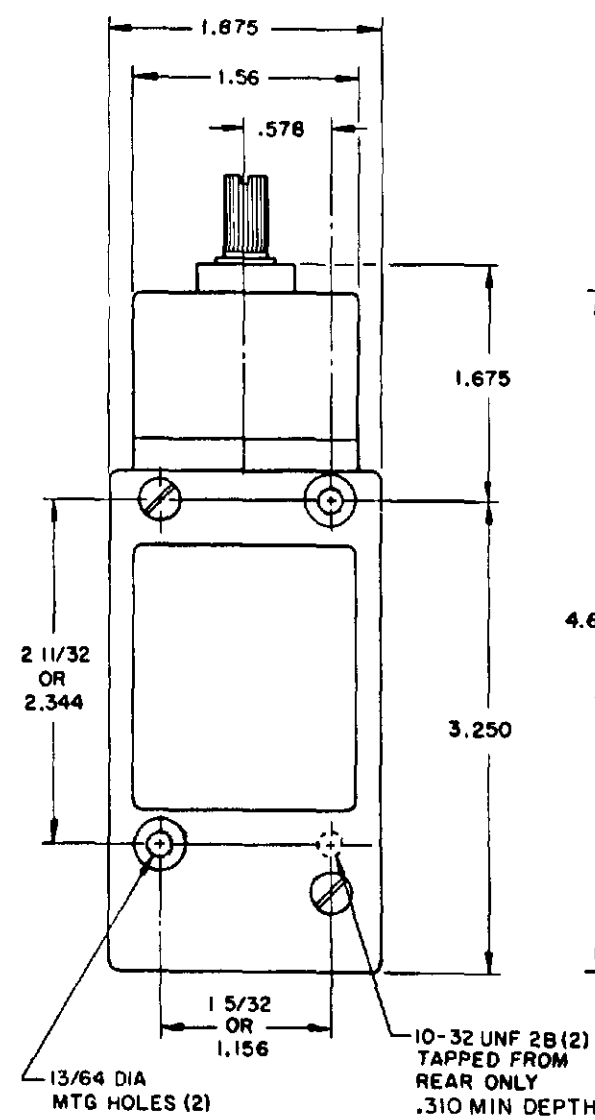


FLOUROSILICONE SEALS
LSYBBI & LSYBB3

VITON SEALS
LSYBCI & LSYBC3



DOUBLE POLE



FLOUROSILICONE SEALS
LSYBB2 & LSYBB4

LSYBB6 & LSYBB7 HAVE 1/2-14NPT
CONDUIT HOLE

VITON SEALS
LSYBC2 & LSYBC4, LSYBC6 & LSYBC7
HAVE 1/2-14NPT CONDUIT HOLE

PRETRAVEL MAX	SINGLE POLE 25°	DOUBLE POLE 25°
OVERTRAVEL MIN	110°	110°
DIFFERENTIAL TRAVEL MAX	10°	12°
OPERATING TORQUE MAX	2.5 IN. LBS	2.5 IN. LBS
TOTAL TRAVEL (REF)	135°	135°

ELECTRICAL RATINGS

10 AMP CONT.

A.C. VOLTAGE	AMPS AT .35 POWER FACTOR			
	SINGL. POL.		DOUBLE POL.	
	MAKE	BREAK	MAKE	BREAK
120	60	6	10	3
240	30	3	15	1.5
480	15	1.5	7.5	.75
600	12	1.2	6	.6

D.C. VOLTAGE	MAKE & BREAK INDUCTIVE	RESISTIVE
120	0.25	0.80
240	0.15	0.40

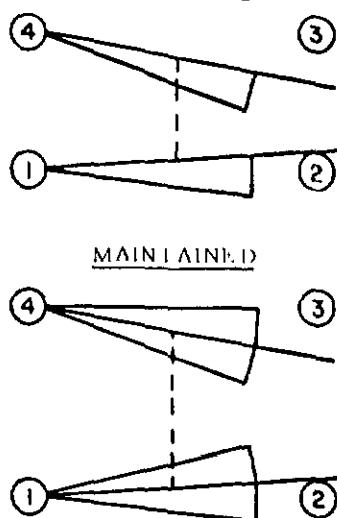
ELECTRONIC DUTY BASIC SWITCH
10 AMP CONT.

VOLTAGE	MAKE AND BREAK AMPS
5 AC OR DC MIN	.01 AMP MIN
600 AC	720 VA
240 DC	30 WATT

WIRING BASIC SWITCH (SAME POLARITY MUST BE OBSERVED FOR EACH POLE)

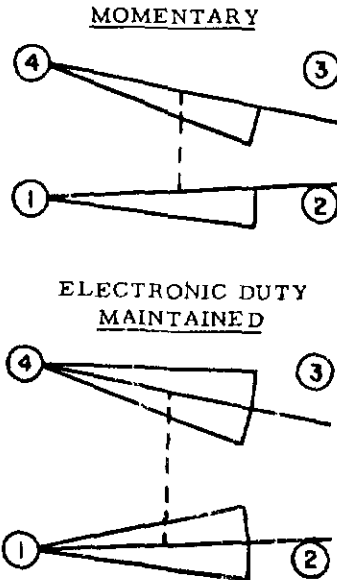
SINGLE POLE

MOMENTARY



SINGLE POLE

ELECTRONIC DUTY MOMENTARY

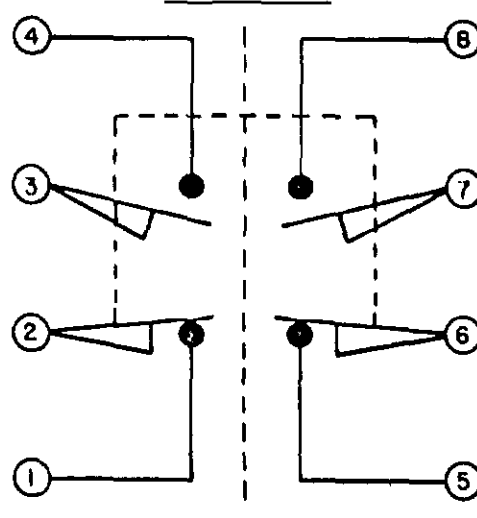


DIRECT ACTING

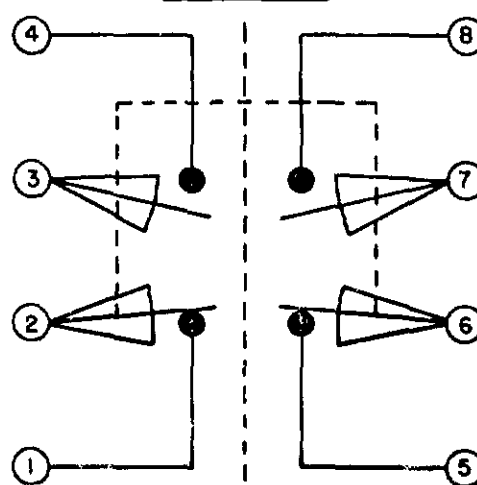


DOUBLE POLE

MOMENTARY



MAINTAINED



DIRECT ACTING (ALSO RATED AT A.C. 10
AMP CONT.)

D.C. VOLTAGE	MAKE AND BREAK AMPS	
	INDUCTIVE	RESISTIVE
30	4.2	4.2
120	1.1	1.1
240	.55	.55

NOTES:
1 - ALL UNITS AVAILABLE WITH
FLOUROSILICONE AND VITON SEALS

2 DIFFERENTIAL TRAVEL ON ALL
OPERATING CHARACTERISTICS NOT
APPLICABLE

MICRO SWITCH
 FREEMONT, CALIF. U.S.A.
 A DIVISION OF HONEYWELL
 FID. REG. CO. REG. 51938
 SWITCH - ENCLOSED
 CHART 1
 LSY SERIES
 CATALOG LISTING

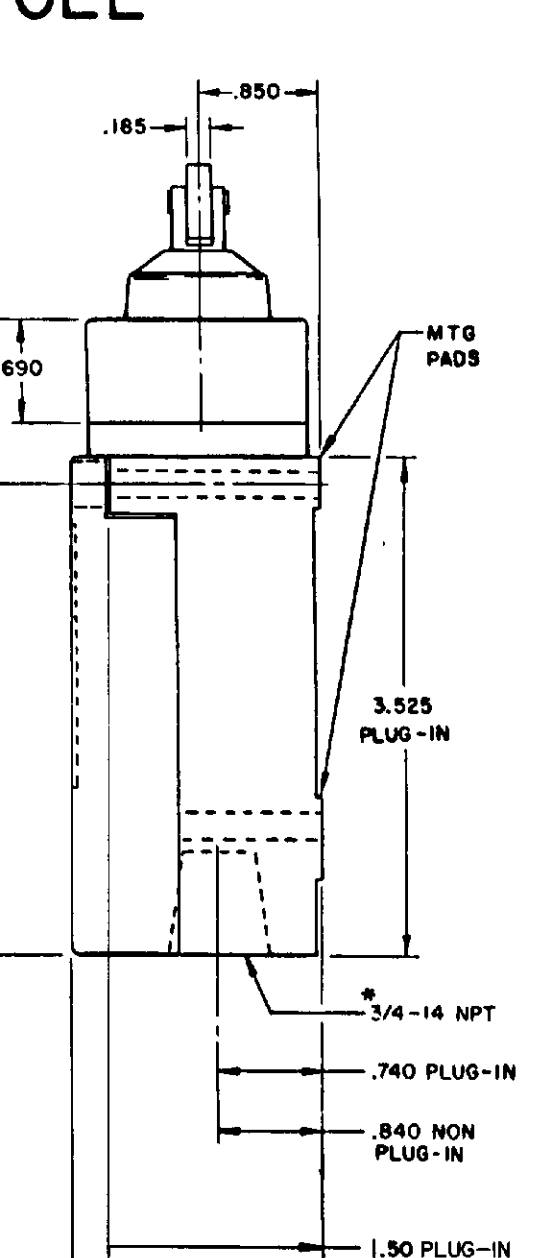
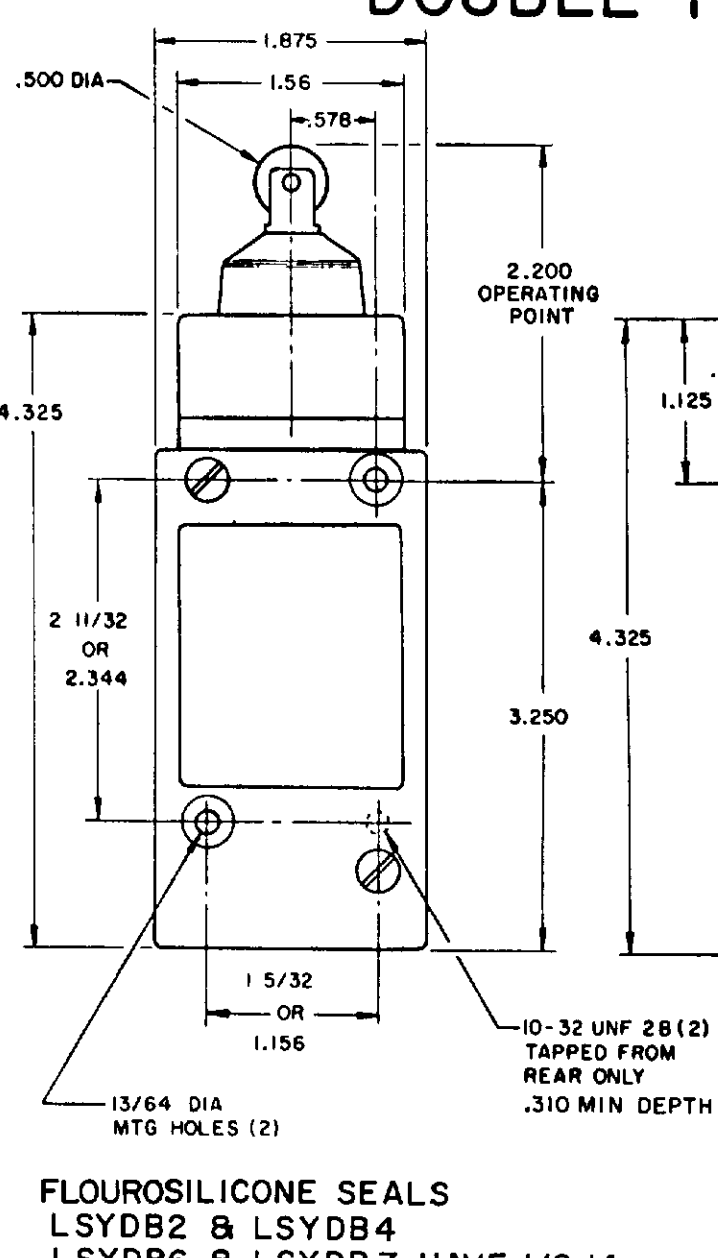
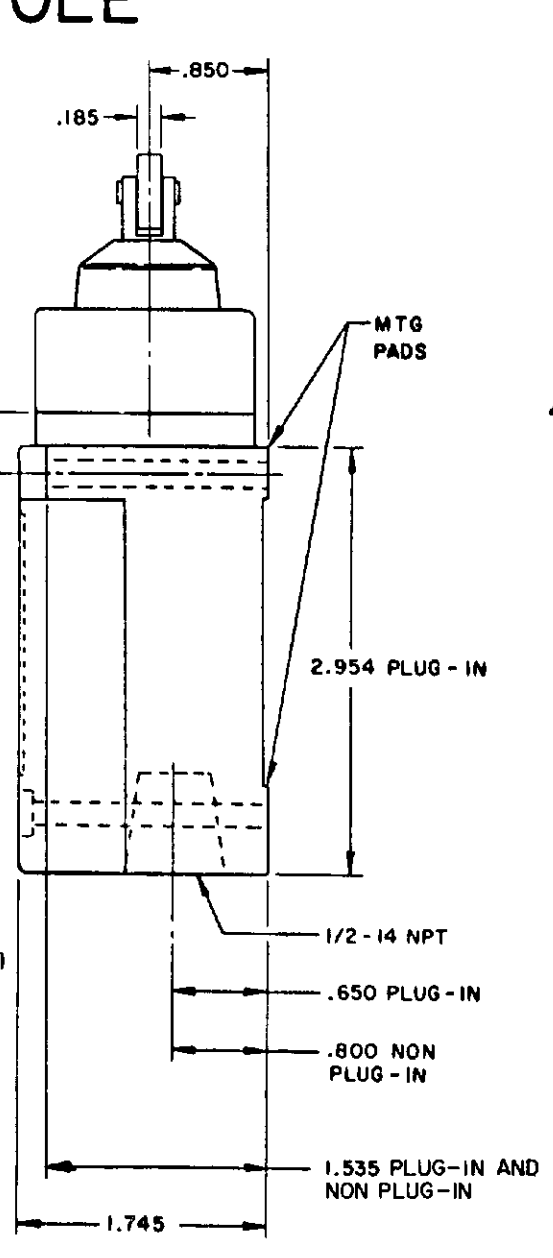
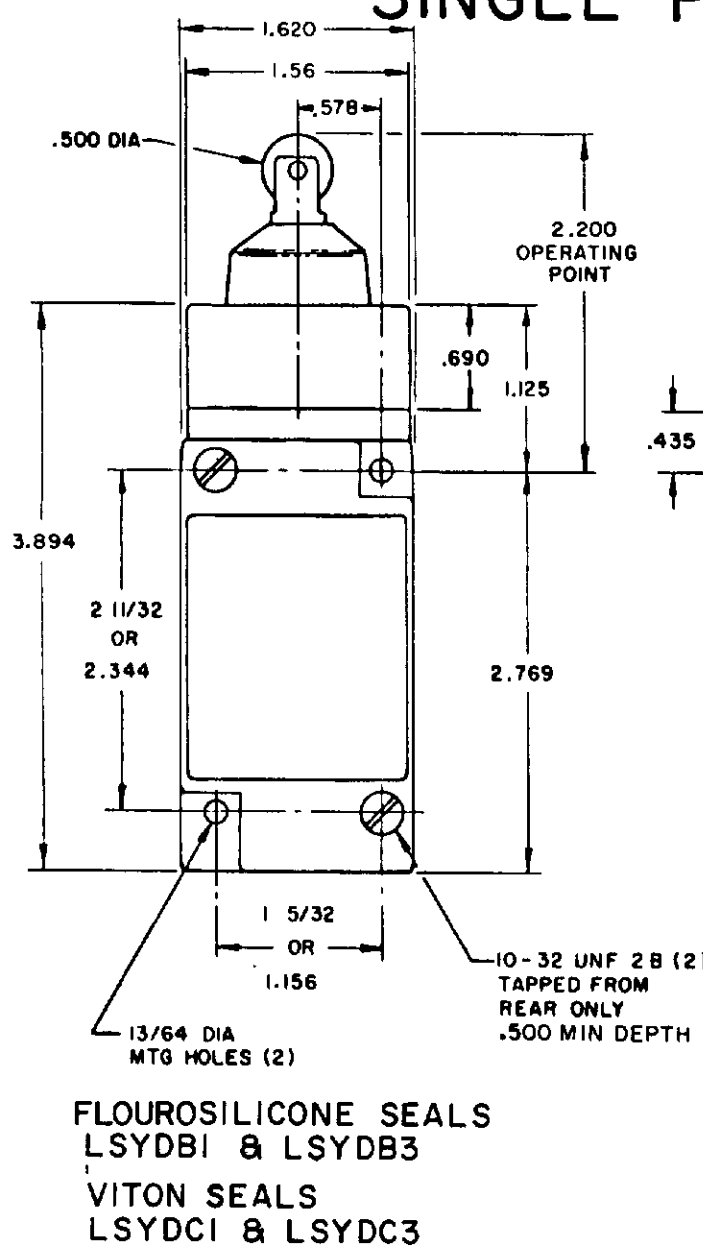
SCALE NONE
 DO NOT SCALE PRINT

REV	DATE	BY	CHK	APP
A	09/94
B	09/94
C	09/94
D	09/94
E	09/94
F	09/94
G	09/94
H	09/94
I	09/94
J	09/94
K	09/94
L	09/94
M	09/94
N	09/94
O	09/94
P	09/94
Q	09/94
R	09/94
S	09/94
T	09/94
U	09/94
V	09/94
W	09/94
X	09/94
Y	09/94
Z	09/94

PLUNGER TYPE TOP

SINGLE POLE

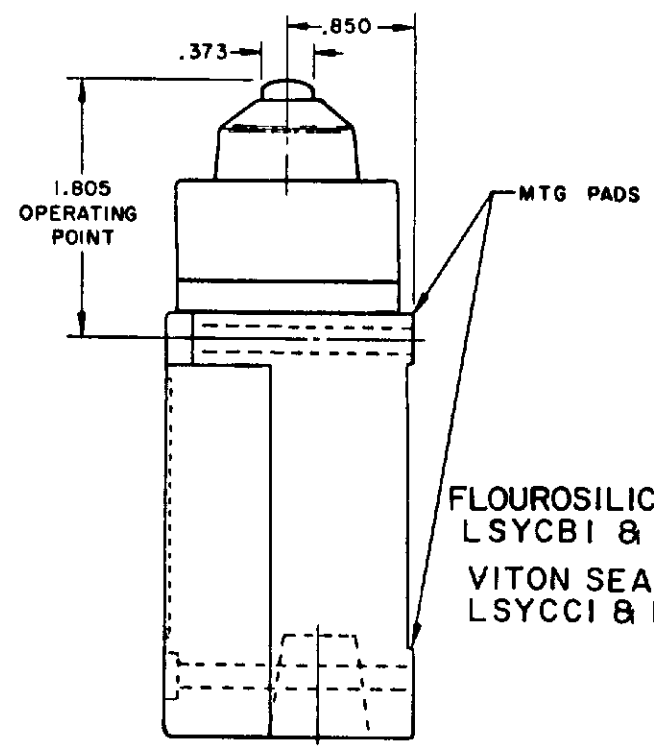
DOUBLE POLE



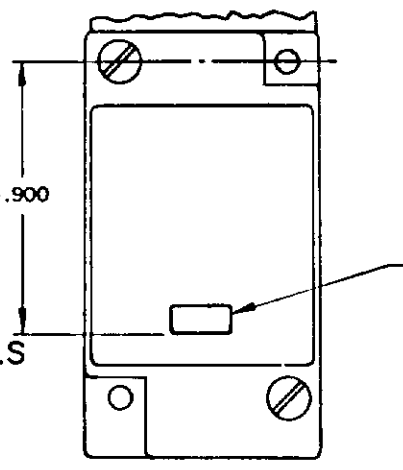
FLUOROSILICONE SEALS
 LSYDB1 & LSYDB3
 VITON SEALS
 LSYDC1 & LSYDC3

FLUOROSILICONE SEALS
 LSYDB2 & LSYDB4
 LSYDB6 & LSYDB7 HAVE 1/2-14
 CONDUIT HOLE

VITON SEALS
 LSYDC2 &
 LSYDC4
 LSYDC6 & LSYDC7



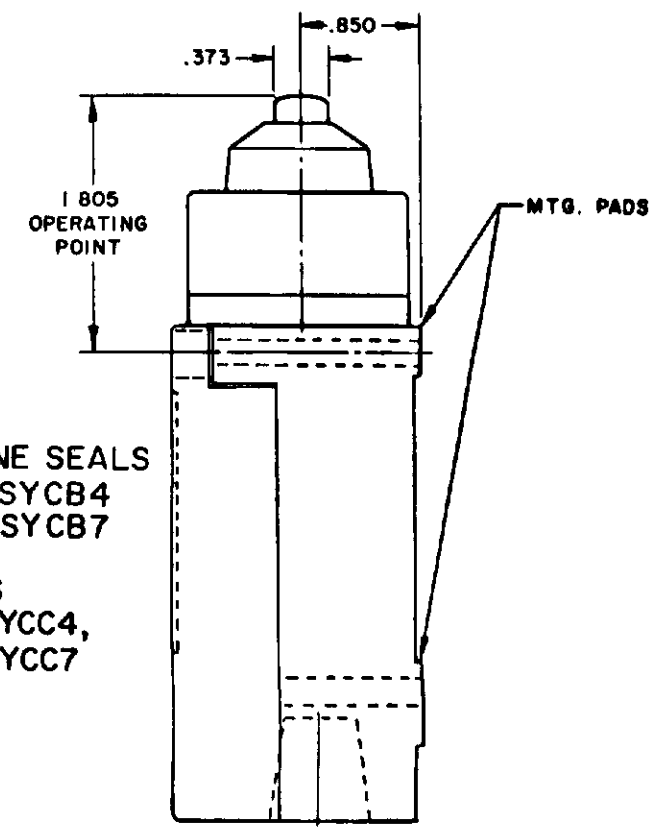
SINGLE POLE PLUG-IN ONLY
 WITH INDICATOR LAMP



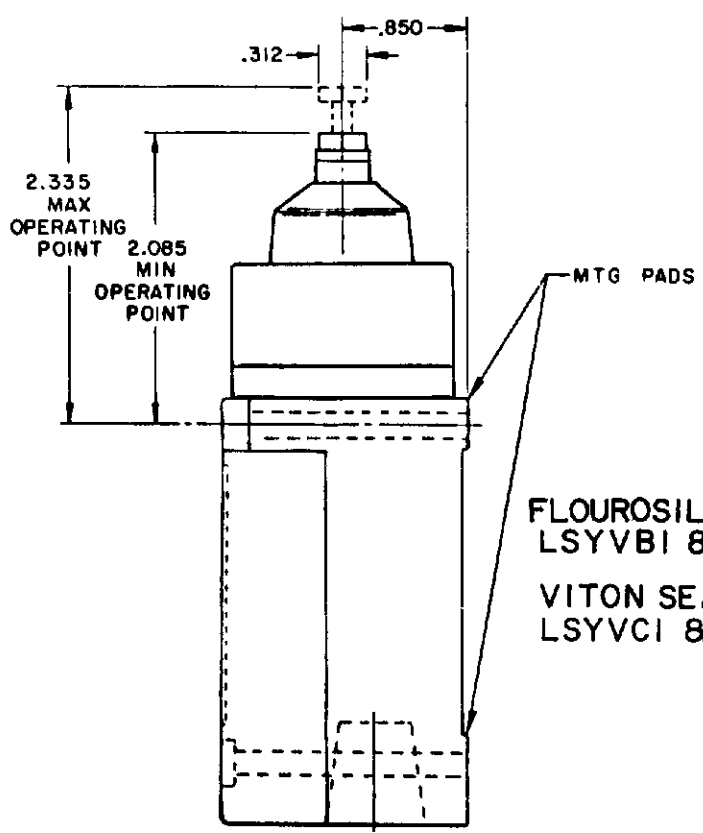
FLUOROSILICONE SEALS
 LSYCB1 & LSYCB3
 VITON SEALS
 LSYCC1 & LSYCC3

120 LAMP VOLTAGE -
 LSYCB 5, LSYDB5, LSYVB5
 LSYCC 5, LSYDC5, LSYVC5
 240 LAMP VOLTAGE -
 LSYCB8, LSYDB8, LSYVB8
 LSYCC8, LSYDC8, LSYVC8

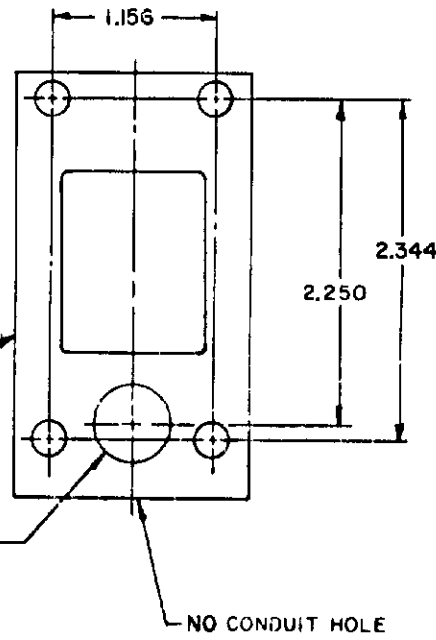
FLUOROSILICONE SEALS
 LSYCB2 & LSYCB4
 LSYCB6 & LSYCB7
 VITON SEALS
 LSYCC2 & LSYCC4,
 LSYCC6 & LSYCC7



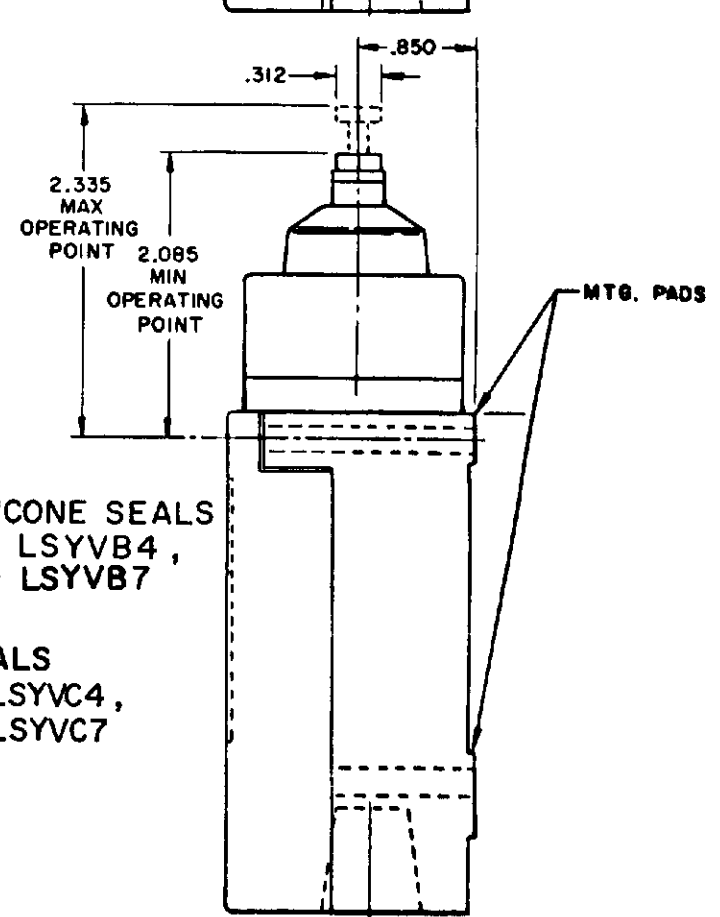
MANIFOLD MOUNT (PLUG-IN ONLY)
 SINGLE POLE AND DOUBLE POLE
 TYPE LSYA THROUGH LSYW SERIES



FLUOROSILICONE SEALS
 LSYVB1 & LSYVB3
 VITON SEALS
 LSYVC1 & LSYVC3



FLUOROSILICONE SEALS
 LSYVB2 & LSYVB4,
 LSYVB6 & LSYVB7
 VITON SEALS
 LSYVC2 & LSYVC4,
 LSYVC6 & LSYVC7

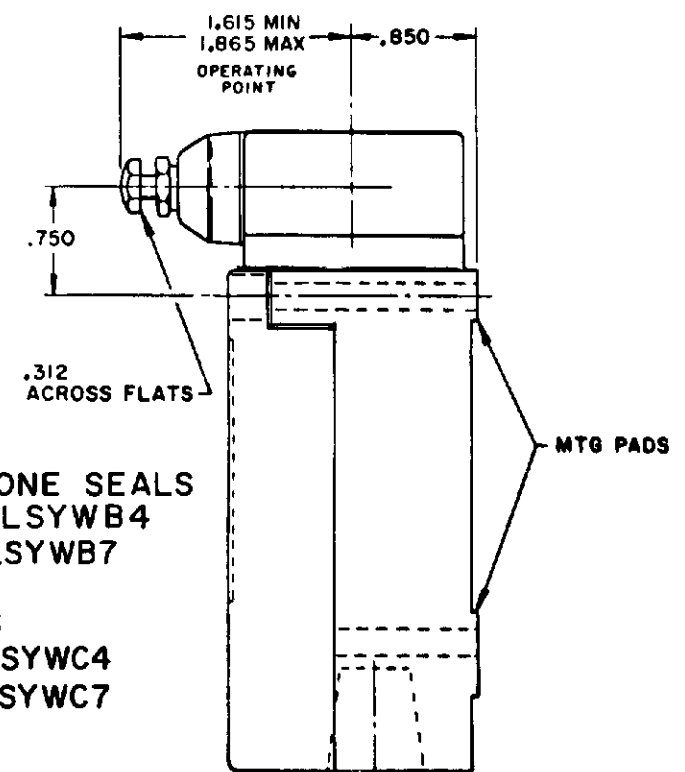
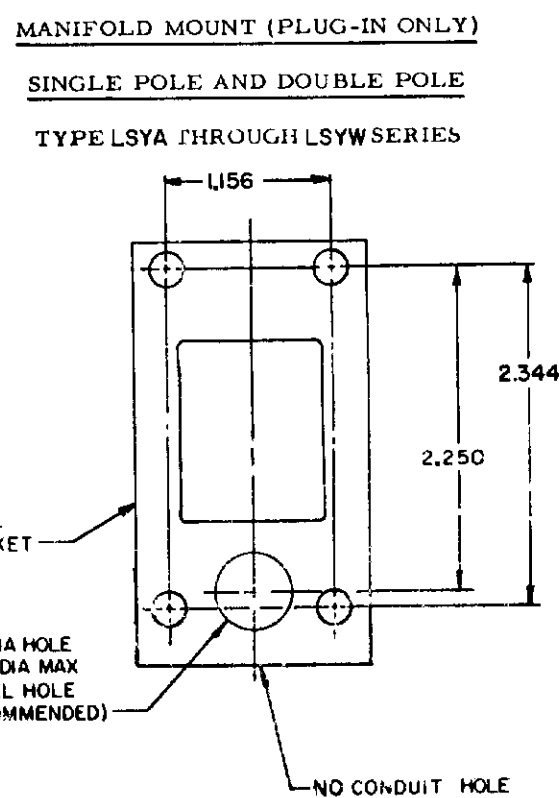
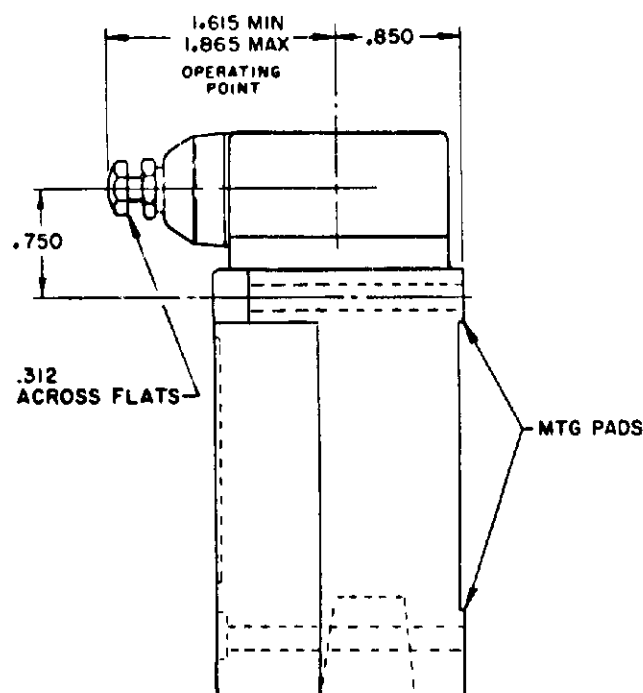
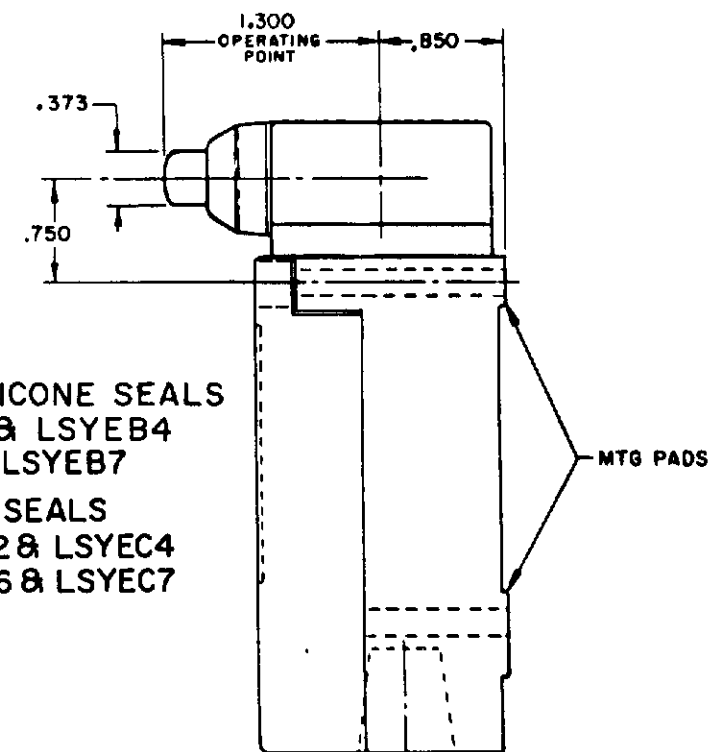
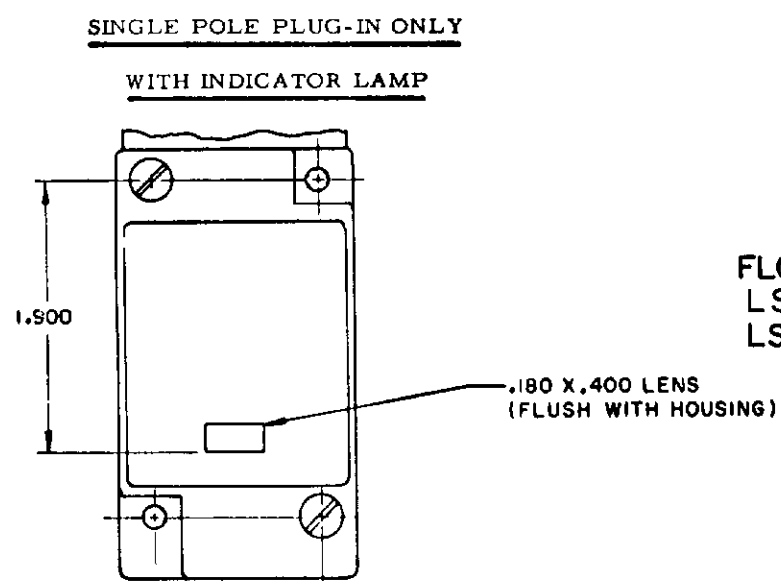
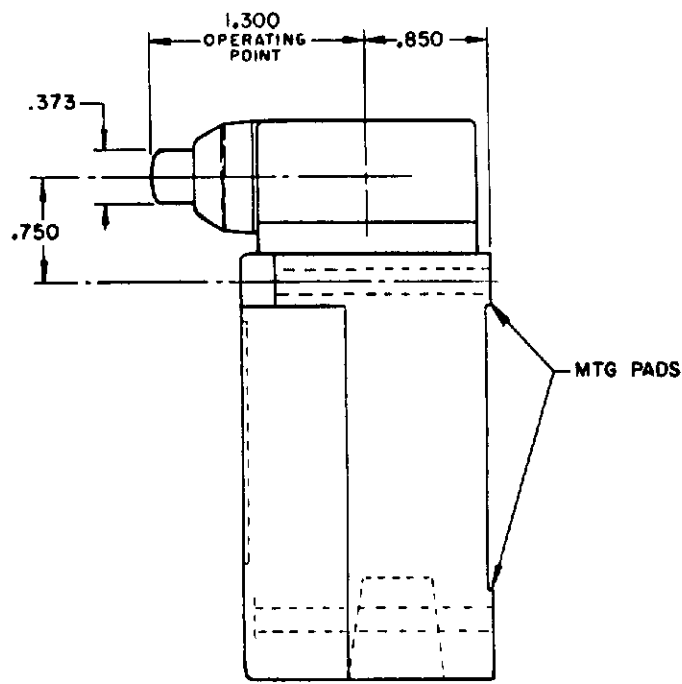
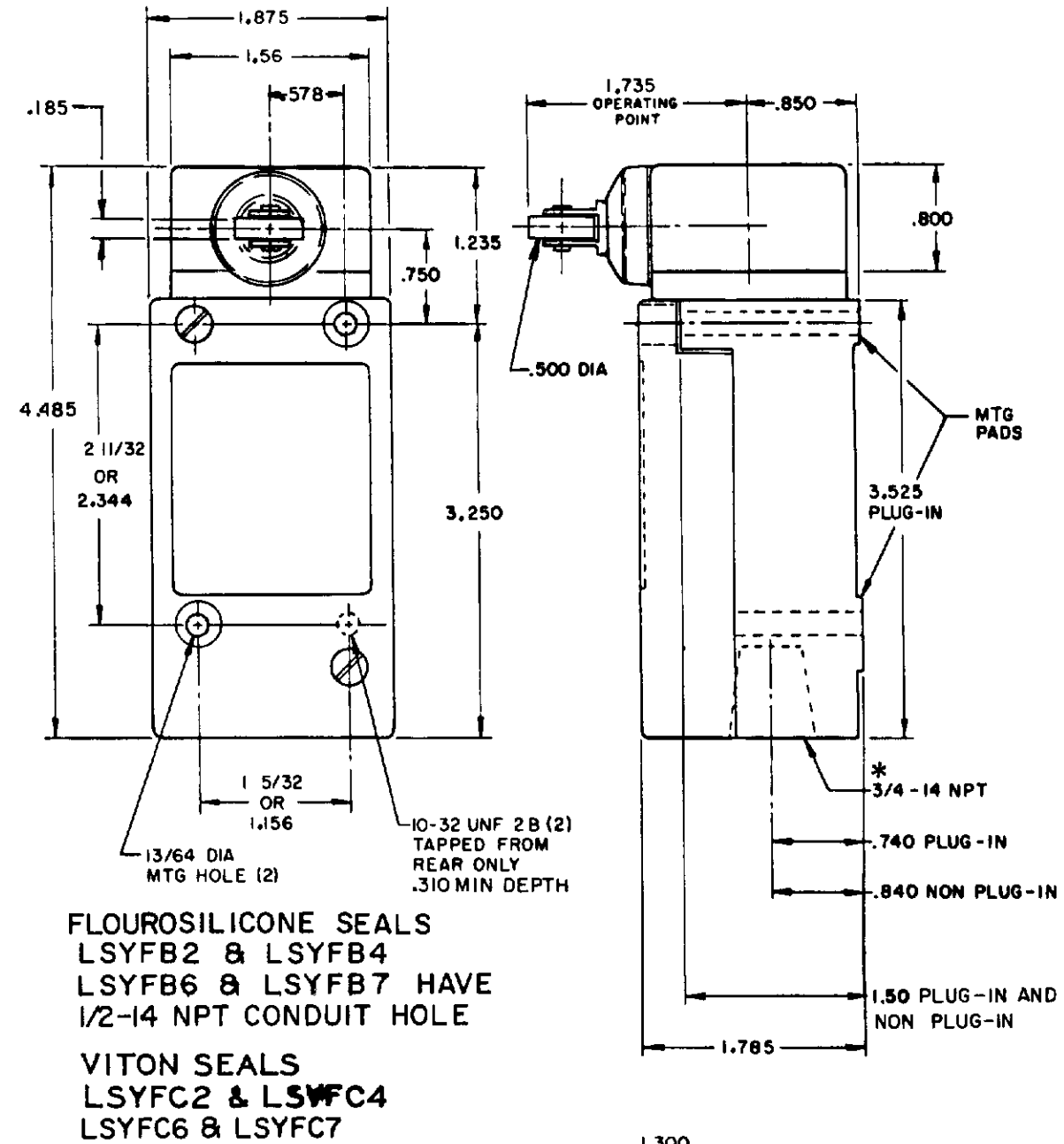
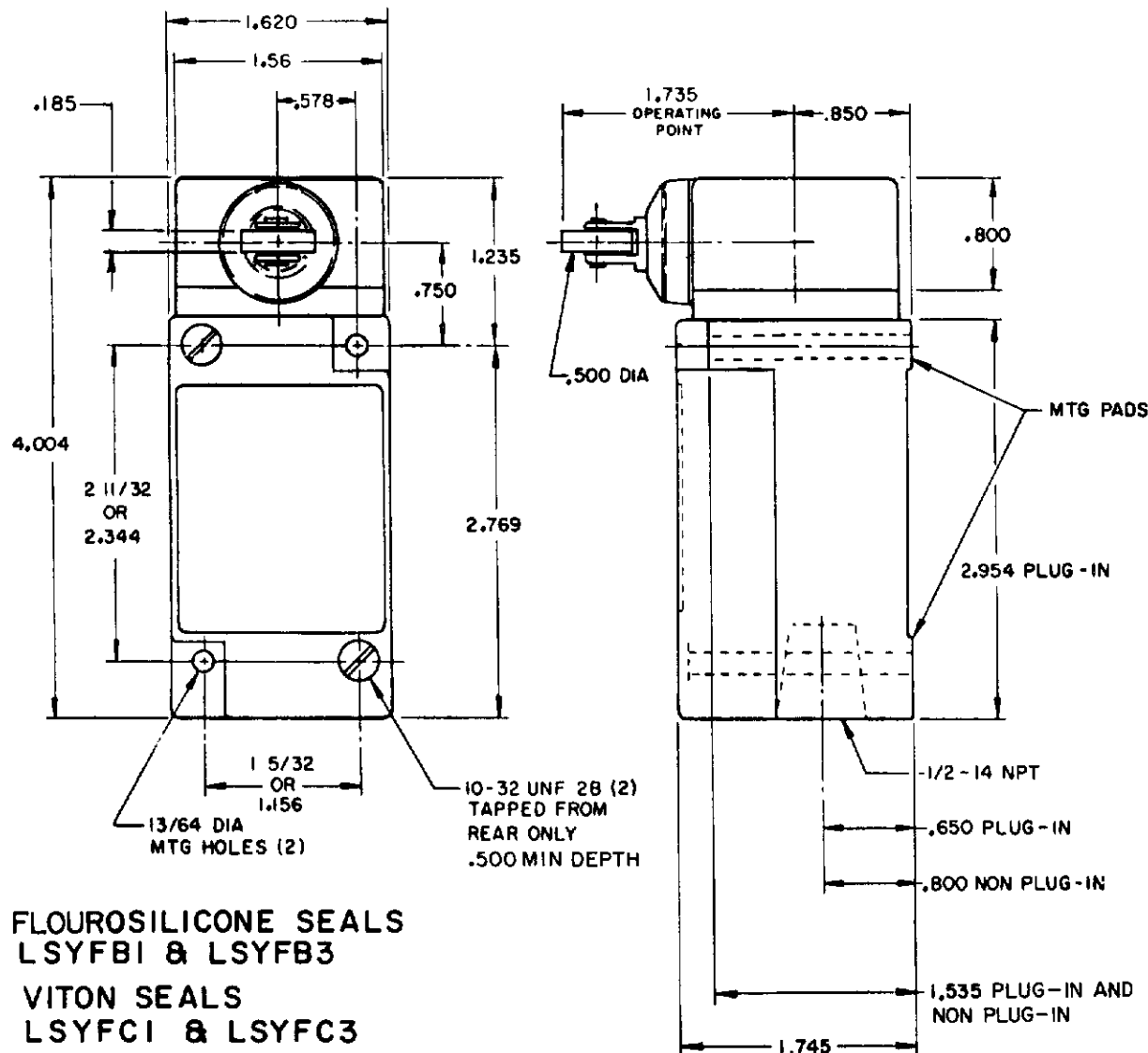


MICRO SWITCH
 THIS DRAWING GOVERNS A PROPRIETARY ITEM AND IS THE PROPERTY OF MICRO SWITCH, A DIVISION OF
 HONEYWELL. THIS DRAWING IS NOT TO BE COPIED OR USED WITHOUT THE APPROVAL OF MICRO SWITCH.
 MICRO SWITCH
 140 W. 50th ST. NEW YORK, N.Y. 10018
SWITCH - ENCLOSED
 LSY SERIES
 CHART 1
 SCALE NONE
 DO NOT SCALE PRINT
 NOTES:
 1 - ALL UNITS AVAILABLE WITH
 FLUOROSILICONE AND VITON SEALS

SIDE PLUNGER TYPE

SINGLE POLE

DOUBLE POLE



NOTES:
 1 - ALL UNITS AVAILABLE WITH
 FLOUROSILICONE AND VITON SEALS

MICRO SWITCH
 FREEPORT ILLINOIS U.S.A.
 A DIVISION OF HONEYWELL
 REG. U.S. PAT. & TM. OFF.

SWITCH - ENCLOSED

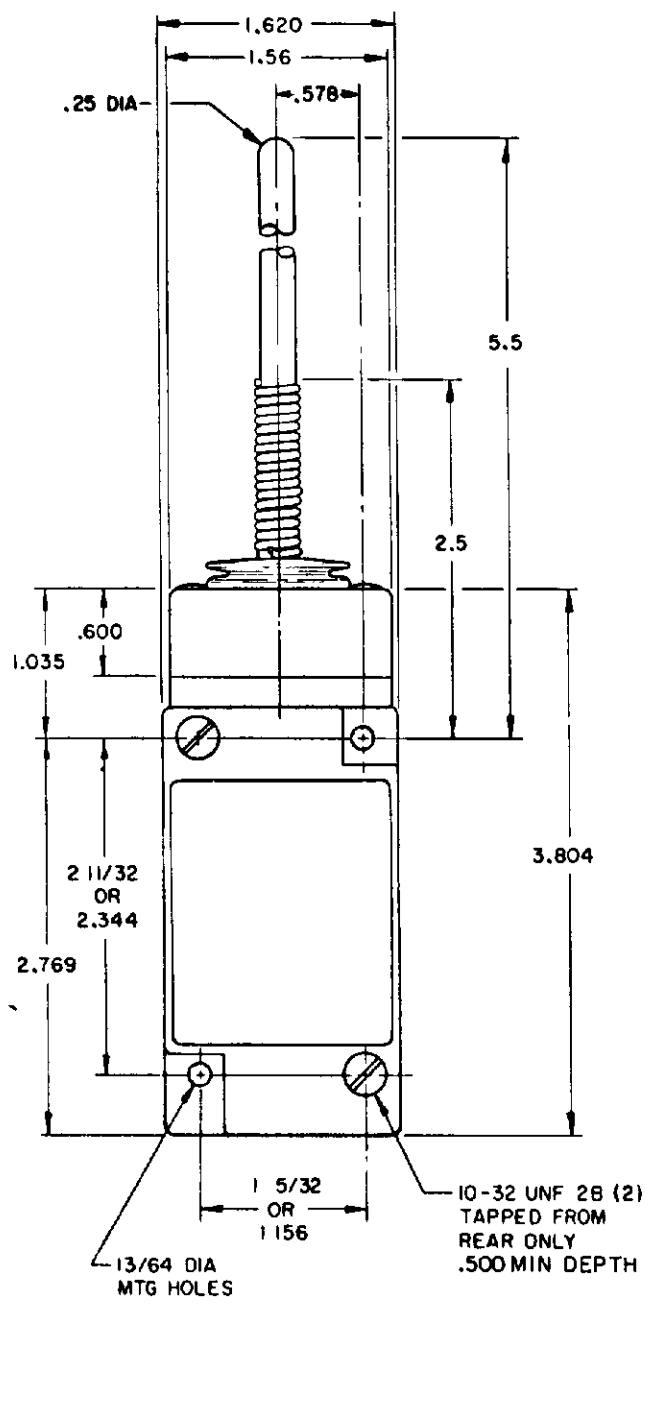
LSY SERIES
 CATALOG LISTING
 CHART 1

SCALE NONE
 DO NOT SCALE PRINT

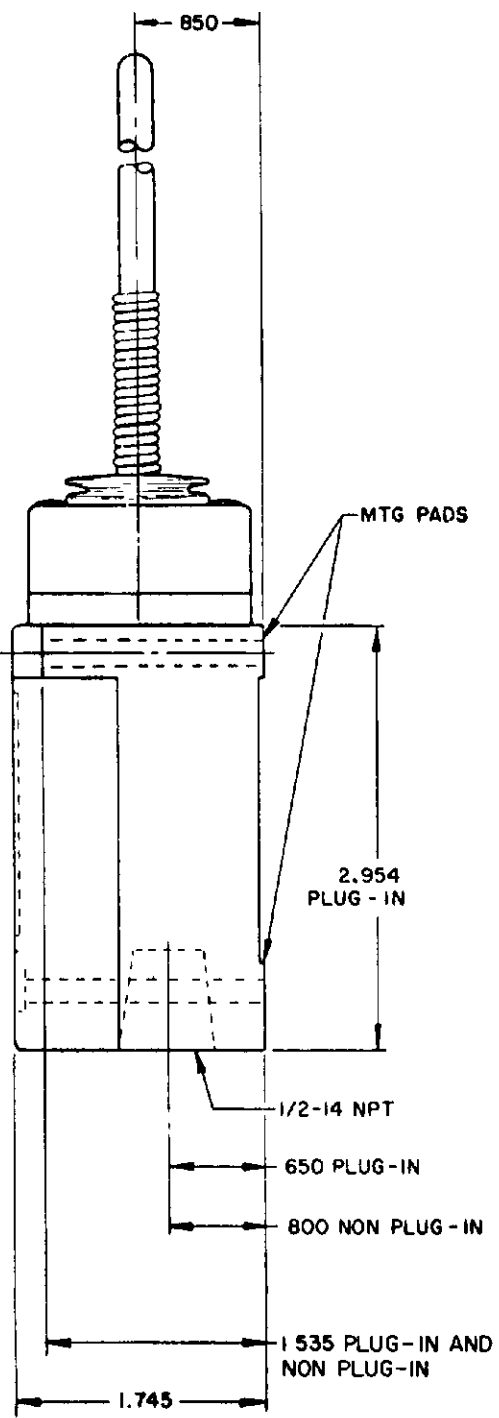
WOBBLE STICK

SINGLE POLE

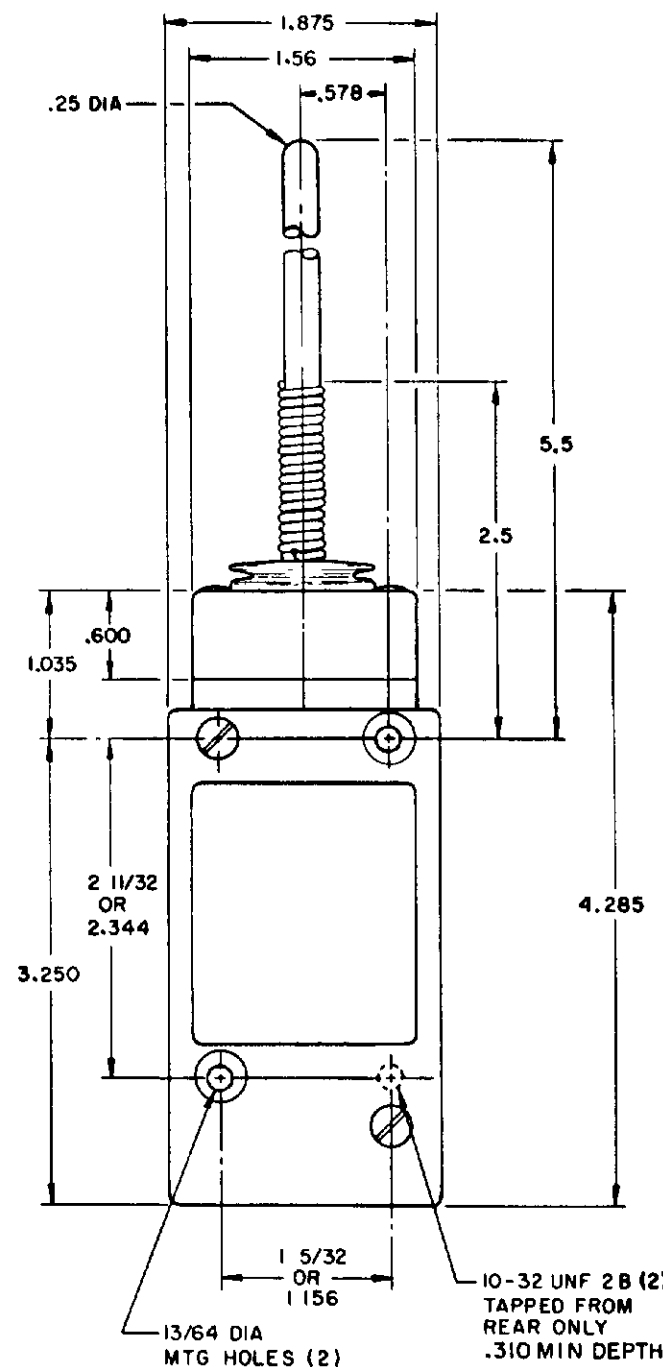
DOUBLE POLE



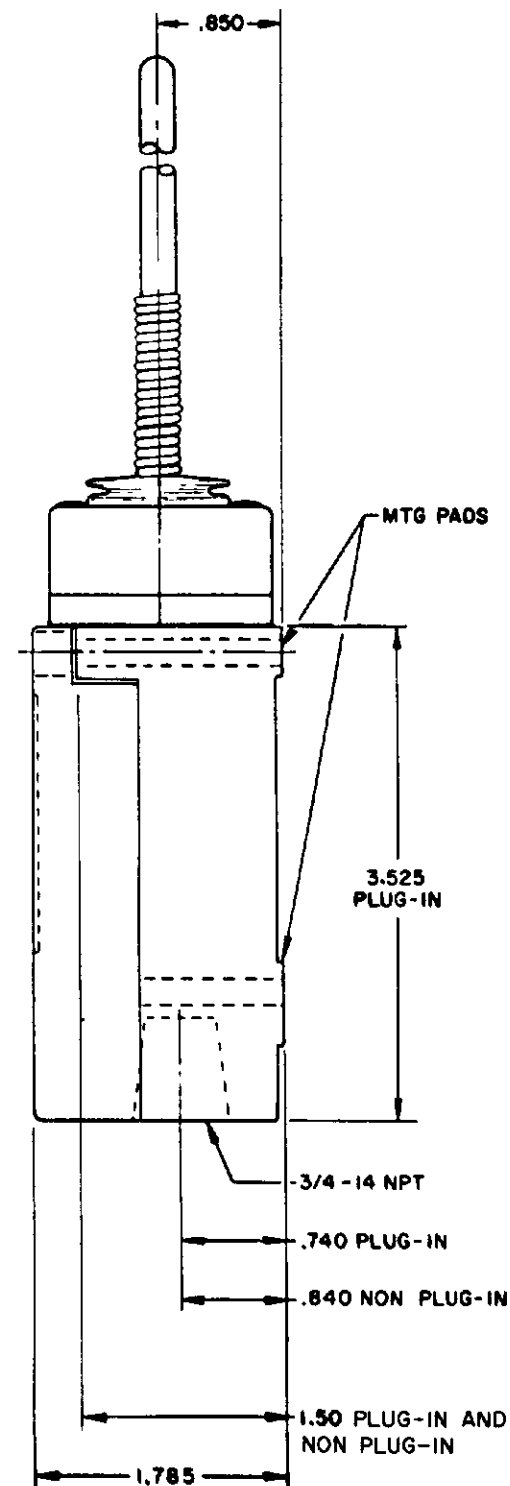
**PLASTIC EXTENSION
TYPE 7A ACTUATOR**



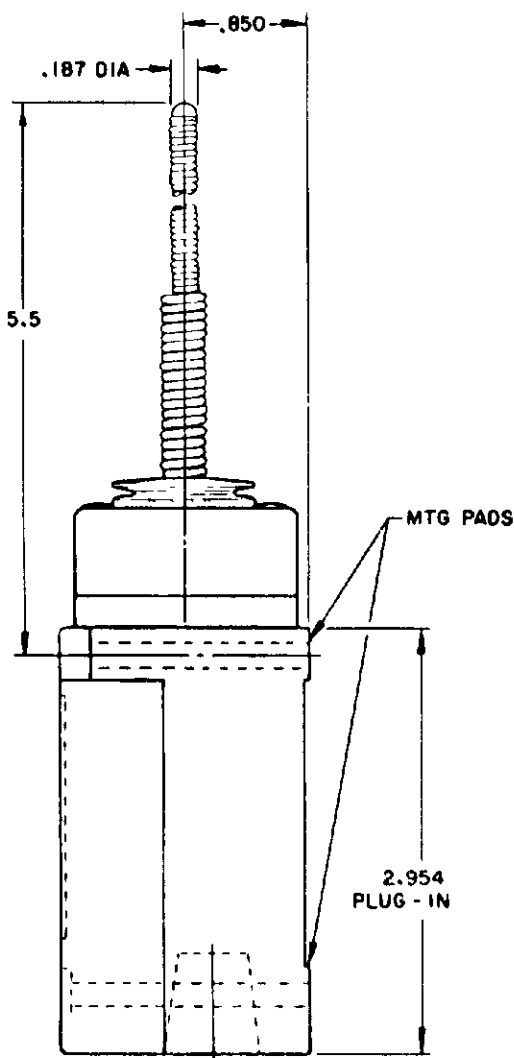
**REPLACEMENT ACTUATOR
LSZ 4009**



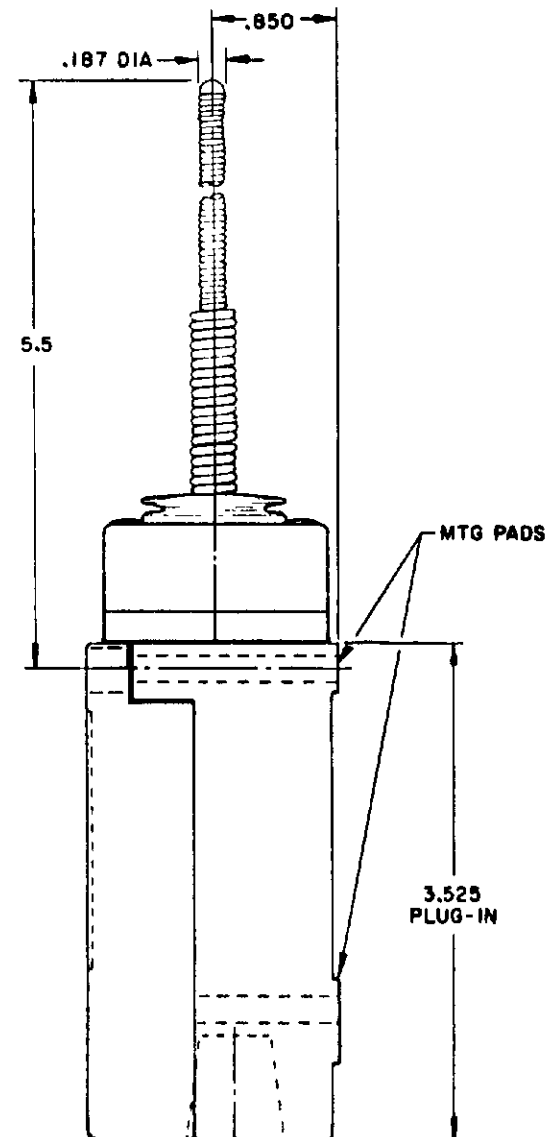
**PLASTIC EXTENSION
TYPE 7A ACTUATOR**



**REPLACEMENT ACTUATOR
LSZ 4011**

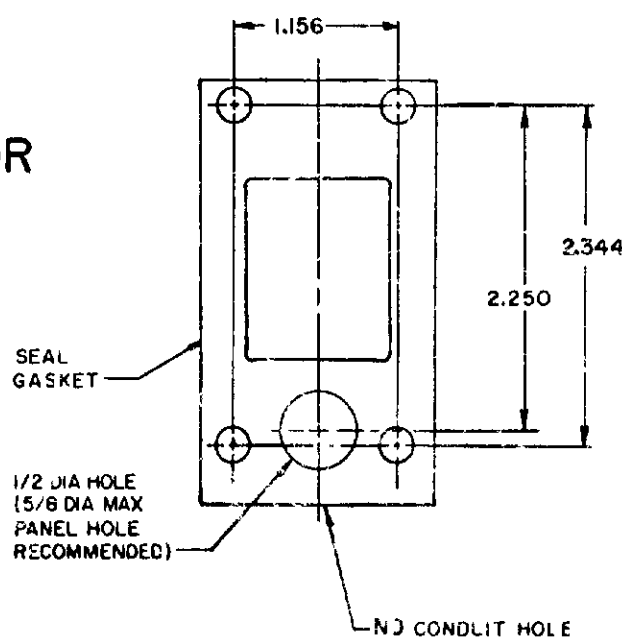


**CABLE EXTENSION
TYPE 7N ACTUATOR**



**CABLE EXTENSION
TYPE 7N ACTUATOR**

MANIFOLD MOUNT (PLUG-IN ONLY)
SINGLE POLE AND DOUBLE POLE
TYPE LSYA THROUGH LSYW SERIES



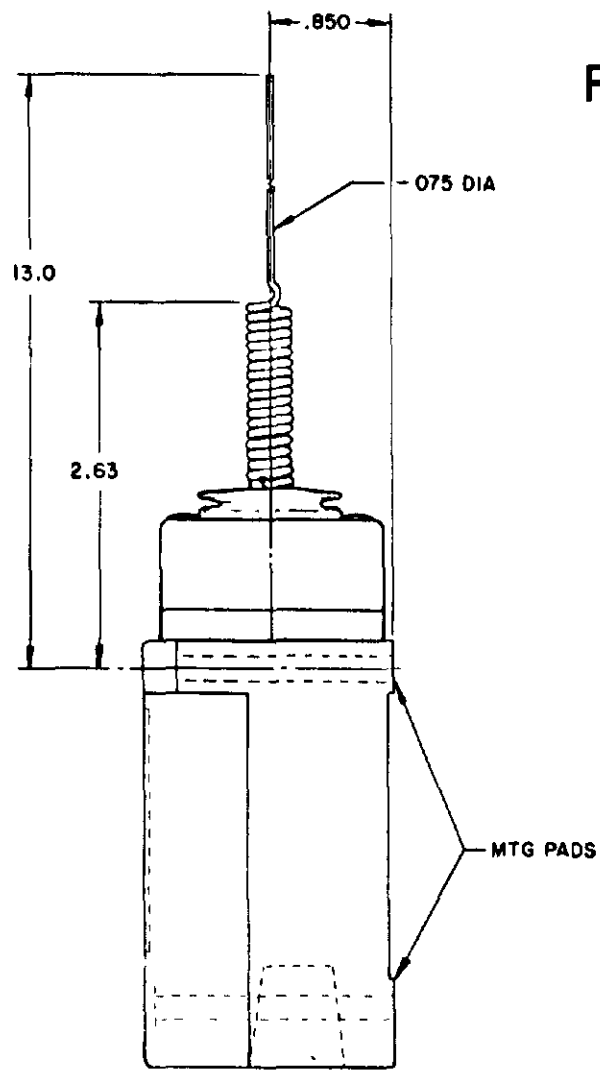
NOTES:
1 - ALL UNITS AVAILABLE WITH
FLUOROSILICONE AND VITON SEALS

MICRO SWITCH
A DIVISION OF HONEYWELL
FREDERICK ILLINOIS U.S.A.
780 MFG. CODE 8188

SWITCH-ENCLOSED

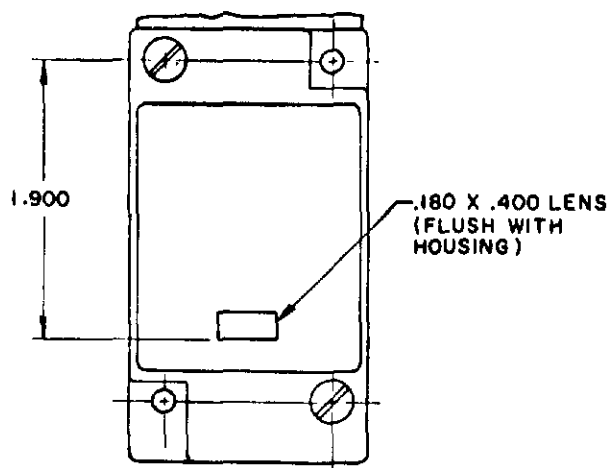
LSY SERIES
CATALOG LISTING
CHART 1

SCALE NONE
DO NOT SCALE PRINT

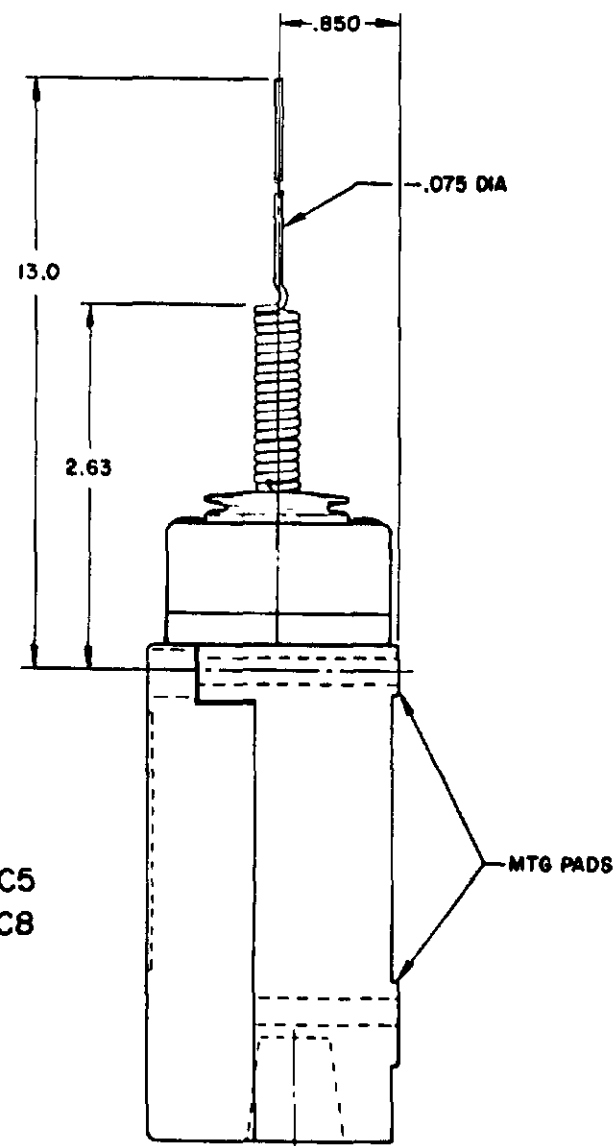


REPLACEMENT ACTUATOR LSZ4010

SINGLE POLE PLUG-IN ONLY
 WITH INDICATOR LAMP



120 LAMP VOLTAGE TYPE-LSYJB5 & LSYJC5
 240 LAMP VOLTAGE TYPE-LSYJB8 & LSYJC8



WIRE EXTENSION TYPE 7M ACTUATOR

FLOUROSILICONE SEALS
 LSYJBI & LSYJB3

VITON SEALS
 LSYJCI & LSYJC3

FLOUROSILICONE SEALS
 LSYJB2 & LSYJB4

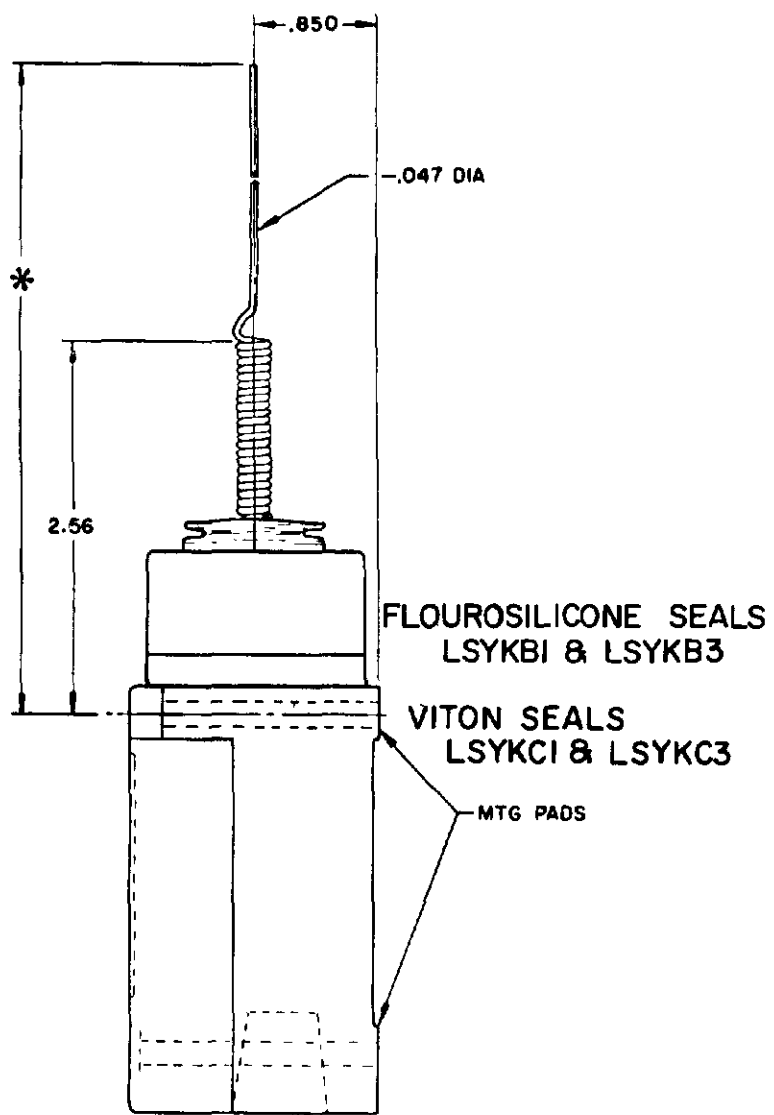
LSYJB6 & LSYJB7 HAVE 1/2-14 NPT CONDUIT HOLE

VITON SEALS LSYJC2 & LSYJC4
 LSYJC6 & LSYJC7 HAVE 1/2-14 NPT CONDUIT HOLE

REPLACEMENT ACTUATOR LSZ 4010

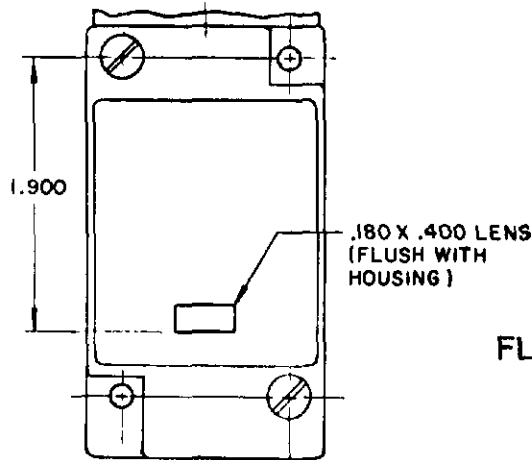
CAT WHISKER

SINGLE POLE



FLOUROSILICONE SEALS
 LSYKBI & LSYKB3
 VITON SEALS
 LSYKCI & LSYKC3

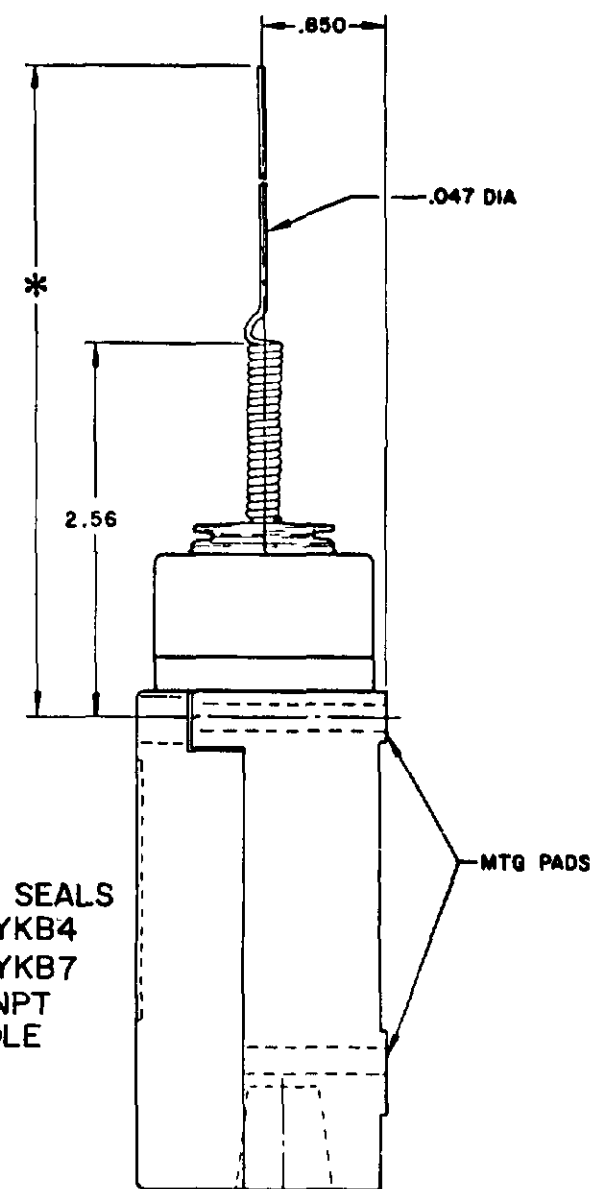
SINGLE POLE PLUG-IN ONLY
 WITH INDICATOR LAMP



FLOUROSILICONE SEALS
 120 LAMP VOLTAGE
 LSYKB5 CAT WHISKER LSYBB5 TOP ROTARY
 240 LAMP VOLTAGE
 LSYKB8 CAT WHISKER LSYBB8 TOP ROTARY

VITON SEALS
 120 LAMP VOLTAGE
 LSYKC5 CAT WHISKER LSYBC5 TOP ROTARY
 240 LAMP VOLTAGE
 LSYKC8 CAT WHISKER LSYBC8 TOP ROTARY

DOUBLE POLE



FLOUROSILICONE SEALS
 LSYKB2 & LSYKB4
 LSYKB6 & LSYKB7
 HAVE 1/2-14 NPT
 CONDUIT HOLE

WIRE EXTENSION REPLACEMENTS

*TYPE 8 A ACTUATOR 5.5 IN. - LSZ 4012
 TYPE 8 B ACTUATOR 7.5 IN. - LSZ 4013
 TYPE 8 C ACTUATOR 5.5 IN. - LSZ 4014

WIRE EXTENSION
 *TYPE 8 A ACTUATOR 5.5 IN.
 TYPE 8 B ACTUATOR 7.5 IN.
 TYPE 8 C COIL ACTUATOR 5.5 IN

PRETRAVEL (APPROX) IN. RADIUS	CAT WHISKER			WOBBLE STICK		
	5/12" COIL	5/12" WIRE	7/12" WIRE	ROD	CABLE	WIRE
	2	2	4.5	1.0	1.5	4.0
OPERATING FORCE-OZ (MAX)	7.0	5.0	3.0	10.0	7.0	5.0

NOTE-
 1 - ALL UNITS AVAILABLE WITH
 FLOUROSILICONE AND VITON SEALS

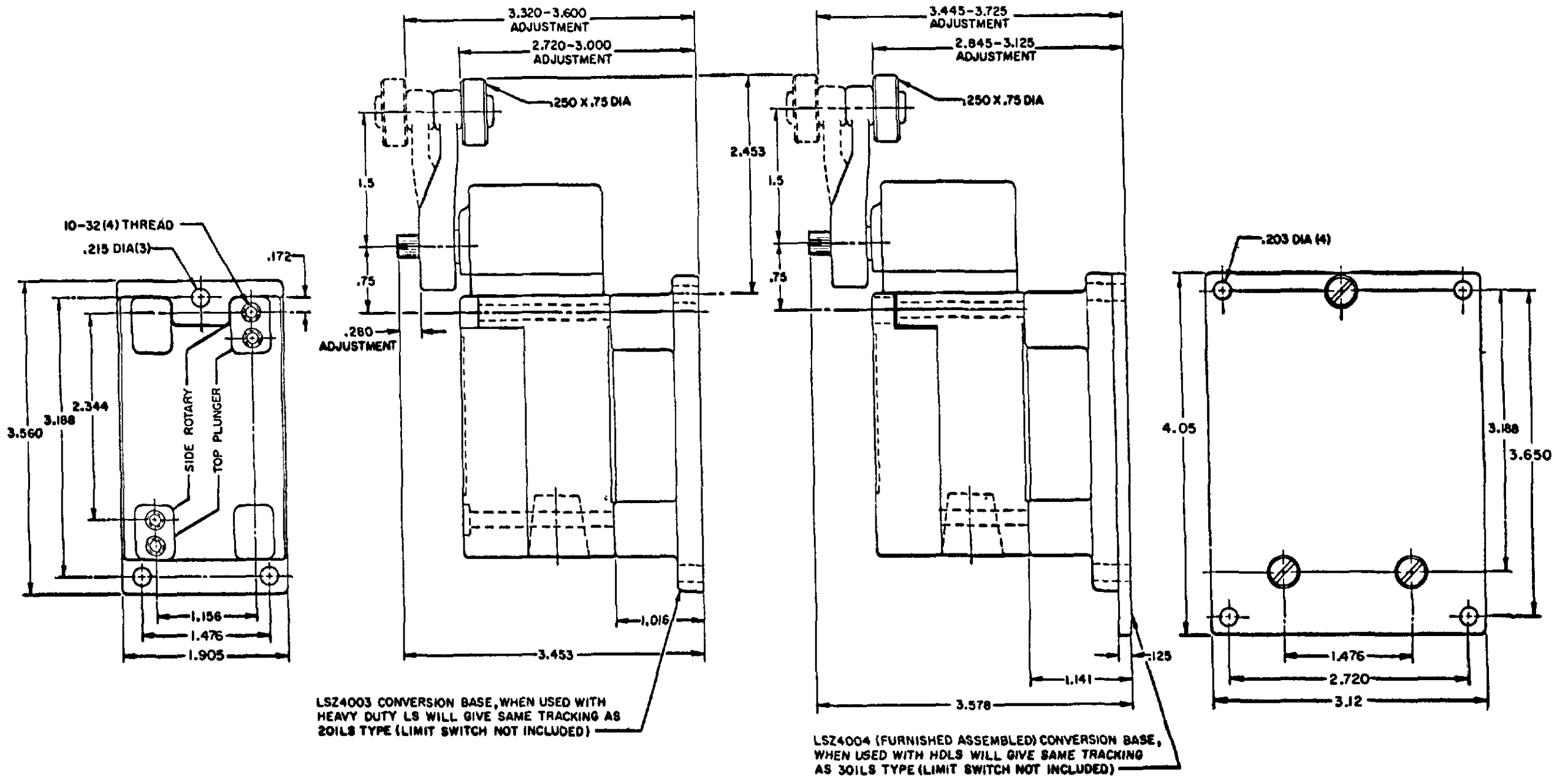
MICRO SWITCH
 THIS DRAWING COVERS A PROPRIETARY ITEM AND IS THE PROPERTY OF MICRO SWITCH A DIVISION OF HONEYWELL. THIS DRAWING IS NOT TO BE COPIED OR USED WITHOUT THE APPROVAL OF MICRO SWITCH.
 HONEYWELL INTERNATIONAL U.S.A.
 A DIVISION OF HONEYWELL
 REG. U.S. PAT. & TM. OFF.
SWITCH - ENCLOSED
 LSY SERIES
 CHART 1

SCALE NONE
 DO NOT SCALE PRINT

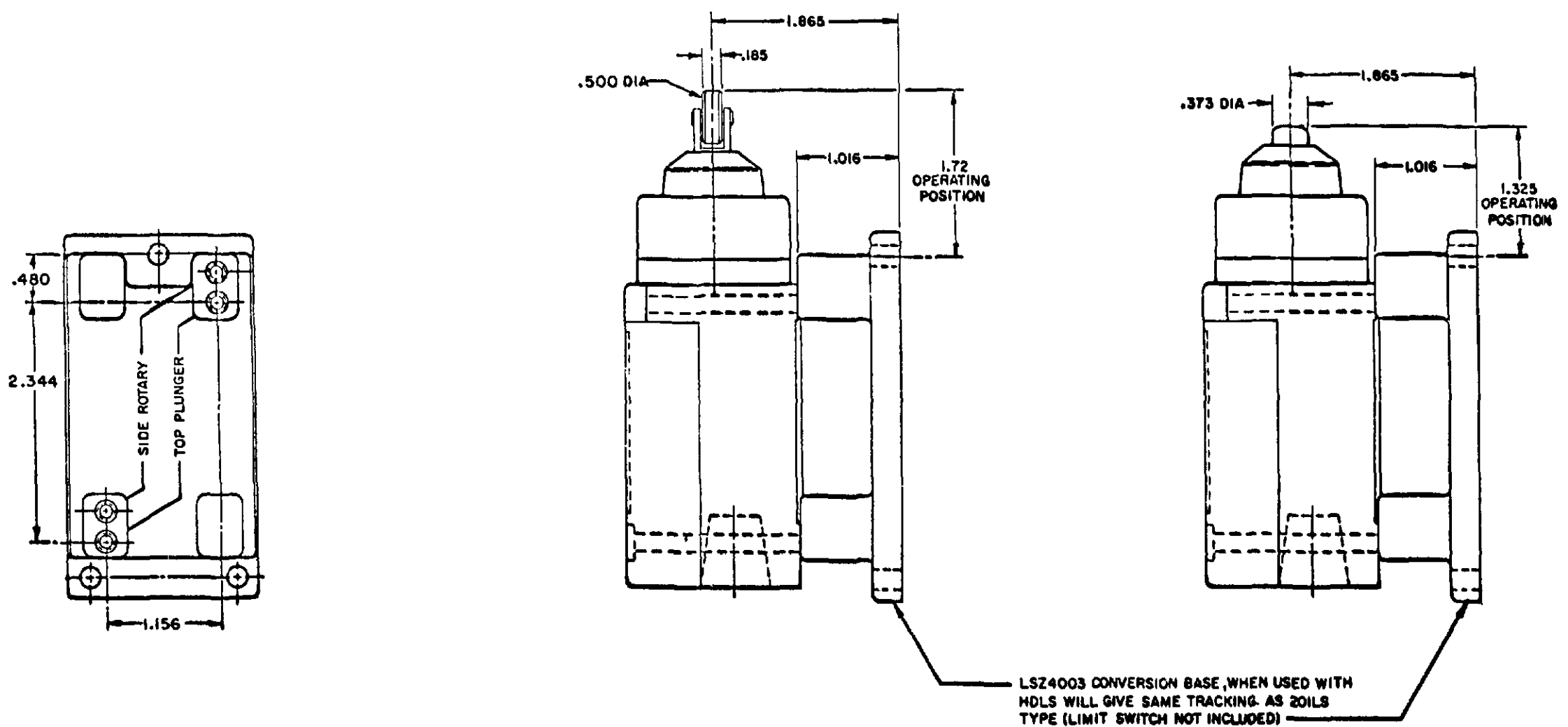
CONVERSION BASES

SINGLE POLE (SIDE ROTARY) LSZ 4003

DOUBLE POLE (SIDE ROTARY) LSZ4004



SINGLE POLE TOP PLUNGER LSZ4003



MICRO SWITCH
 A DIVISION OF HONEYWELL
 PREPARED IN ILLINOIS U.S.A.
 F.D. MFG. CODE 8188

THIS DRAWING COVERS A PROPRIETARY ITEM AND IS THE PROPERTY OF MICRO SWITCH, A DIVISION OF HONEYWELL. THIS DRAWING IS NOT TO BE COPIED OR USED WITHOUT THE APPROVAL OF MICRO SWITCH.

SWITCH - ENCLOSED

LSY SERIES
 CATALOG LISTING
 CHART 1

SCALE FULL
 DO NOT SCALE PRINT



Компания «ЭлектроПласт» предлагает заключение долгосрочных отношений при поставках импортных электронных компонентов на взаимовыгодных условиях!

Наши преимущества:

- Оперативные поставки широкого спектра электронных компонентов отечественного и импортного производства напрямую от производителей и с крупнейших мировых складов;
- Поставка более 17-ти миллионов наименований электронных компонентов;
- Поставка сложных, дефицитных, либо снятых с производства позиций;
- Оперативные сроки поставки под заказ (от 5 рабочих дней);
- Экспресс доставка в любую точку России;
- Техническая поддержка проекта, помощь в подборе аналогов, поставка прототипов;
- Система менеджмента качества сертифицирована по Международному стандарту ISO 9001;
- Лицензия ФСБ на осуществление работ с использованием сведений, составляющих государственную тайну;
- Поставка специализированных компонентов (Xilinx, Altera, Analog Devices, Intersil, Interpoint, Microsemi, Aeroflex, Peregrine, Syfer, Eurofarad, Texas Instrument, Miteq, Cobham, E2V, MA-COM, Hittite, Mini-Circuits, General Dynamics и др.);

Помимо этого, одним из направлений компании «ЭлектроПласт» является направление «Источники питания». Мы предлагаем Вам помощь Конструкторского отдела:

- Подбор оптимального решения, техническое обоснование при выборе компонента;
- Подбор аналогов;
- Консультации по применению компонента;
- Поставка образцов и прототипов;
- Техническая поддержка проекта;
- Защита от снятия компонента с производства.



Как с нами связаться

Телефон: 8 (812) 309 58 32 (многоканальный)

Факс: 8 (812) 320-02-42

Электронная почта: org@eplast1.ru

Адрес: 198099, г. Санкт-Петербург, ул. Калинина, дом 2, корпус 4, литера А.