

# RTE Series Low Profile Rotary DIP Switches



H  
DIP

## Features/Benefits

- Thru-hole and surface mount models
- Miniature size with robust metal cover in black or silver nickel finish
- 4, 10, & 16 positions
- Large choice of codings
- Vertical, right angle or reverse versions
- RoHS compliant

## Typical Applications

- Timers, automation components
- Computer and peripherals
- Alarms, access control, smoke detectors, lighting, home protection
- Instrumentation



## Specifications

### CONTACT RATING:

Gold: 100 mA max. 10 $\mu$  A min. 30 V DC max. 20 mVDC min.

MECHANICAL LIFE: 20,000 indexations

CONTACT RESISTANCE: 100 m $\Omega$  max. initial;  
150 m $\Omega$  after life

INSULATION RESISTANCE: 10<sup>10</sup>  $\Omega$  min. initial

DIELECTRIC STRENGTH: 300 Vrms 1 mn

OPERATING TEMPERATURE: -25°C to 85°C.

STORAGE TEMPERATURE: -55°C to 85°C.

### PACKAGING:

Quantities

| Terminations | Actuator                | Tube | Box (in bulk) | Carrier tape | Standard Package |
|--------------|-------------------------|------|---------------|--------------|------------------|
| G            | Flush, screwdriver slot |      |               | 1250         | 1250 (1 reel)    |
|              | Shaft for button        |      |               | 750          | 750 (1 reel)     |
| N            | All versions            | 65   |               |              | 1950 (30 tubes)  |
| V            | All versions            |      | 150           |              | 1500 (10 boxes)  |
| R            | Flush, screwdriver slot | 65   |               |              | 1950 (30 tubes)  |
|              | Shaft for button        |      | 150           |              | 1500 (10 boxes)  |

## Materials

COVER: Brass, nickel plated (black or silver)

BASE: PPS

ACTUATOR: LCP

MOVABLE CONTACTS: Copper alloy, gold plated.

STATIONARY CONTACTS: Brass, gold plated.

TERMINALS: See page I-28 to I-29

O-RING: Silicone

### SOLDERING PROCESS:

- Surface Mount Terminals: Infrared Reflow Soldering in accordance with IEC 61760-1.

- Non Reverse Thru-Hole Terminals: Lead free single or double wave soldering process according to C&K Procedure PS-LF-001

- Reverse Thru-Hole Terminals: Manual soldering: 3 sec / 350°C. Lead free single wave soldering process can be used but validation of the process must be done by customer

**Note:** Specifications and materials listed above are for switches with standard options. For information on specific and custom switches, consult Customer Service Center.

## How To Order

The Build-A Switch concept allows you to mix and match options to create the switch you need. Below is a complete listing of options shown in catalog. To order, simply select desired option from each category and place in the appropriate box.

**NOTE:** Some of the configurations may not be available or could require some development.



Number of Positions

- RTE04**    **ESD Protection and top plate**
- RTE10**    **0** Without ESD - standard plate
- RTE16**    **1** With ESD - standard plate <sup>2</sup>
- B** Without ESD - black plate

- Actuator**
- 0** Flush, screwdriver slot
- 2** Shaft for button

- Terminations**
- N** Thru-hole
- V** Right angle
- G** Surface mount
- R** Reverse, thru-hole

- Switch Function**
- 0** Single pole <sup>1</sup>
- 1** BCD code
- 3** Gray Code (for RTE 10)
- 4** Hexadecimal code (for RTE 16)
- 7** Gray Code (for RTE 16)

- Contact/Terminal Material**
- 4** Gold 0.5  $\mu$ m/ lead free tin
- 7** Gold 1.0  $\mu$ m



First Angle Projection

1 - Single pole function not available for RTE10/RTE16  
2 - ESD protection available with "N" and "R" terminations only

# RTE Series Low Profile Rotary DIP Switches

## SWITCHES WITH STANDARD OPTIONS

### PC Mount-Terminal Option N



### Right Angle Mount-Terminal Option V



### Surface Mount-Terminal Option G



## NUMBER OF POSITIONS

### RTE04 4 POSITIONS



### RTE10 10 POSITIONS



### RTE16 16 POSITIONS



# RTE Series Low Profile Rotary DIP Switches



H  
DIP

## ESD PROTECTION

0 WITHOUT



1 WITH

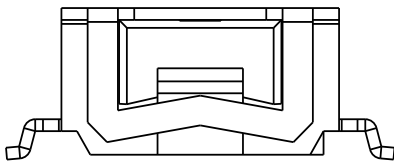


## ACTUATOR

0 SCREWDRIVER SLOT



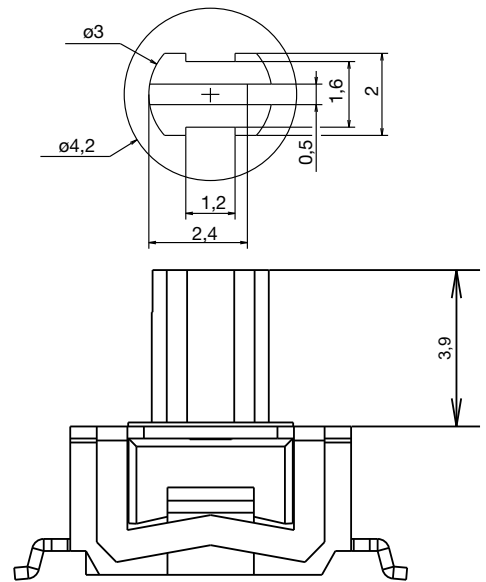
For all RTE versions



Except for RTE1000Gx4 (SMT)  
RTE1600Gx4 (SMT)



2 SHAFT FOR BUTTON



Dimensions are shown: Inch (mm)  
Specifications and dimensions subject to change



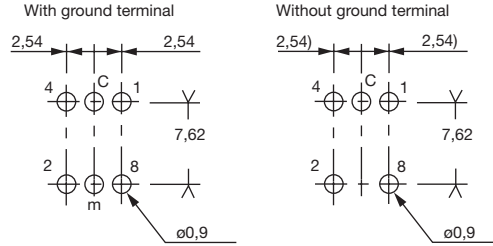
8 Nov 2019

# RTE Series Low Profile Rotary DIP Switches

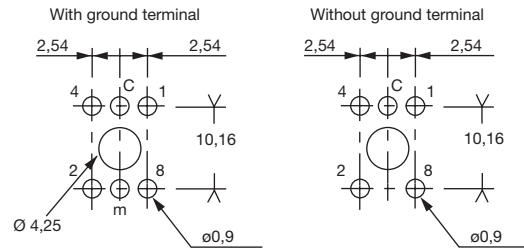
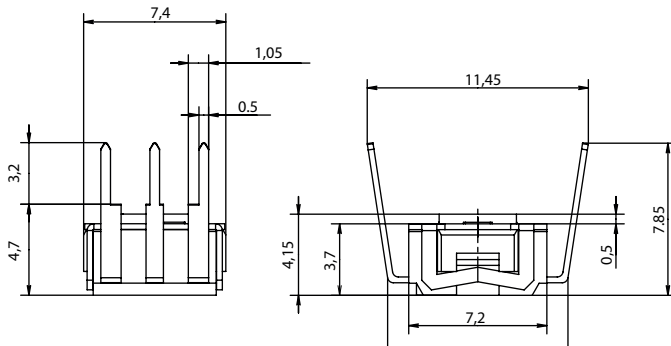
## TERMINATIONS

DIP I

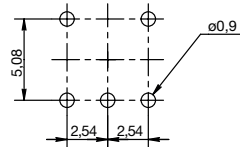
### N THRU-HOLE



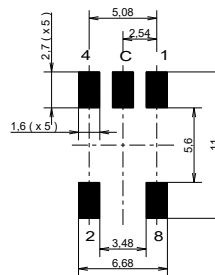
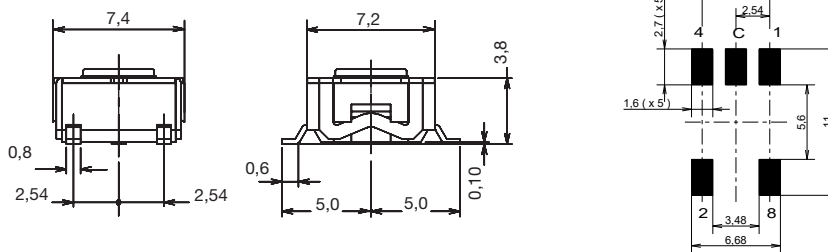
### R REVERSE, THRU-HOLE



### V RIGHT ANGLE, THRU-HOLE



### G SURFACE MOUNT



PCB layout seen component side





H

DIP

## SWITCH FUNCTION

### 0 SINGLE POLE

| POS. | 1 | 2 | 3 | 4 |
|------|---|---|---|---|
| C    | ● | ● | ● | ● |
| 1    | ● |   |   |   |
| 2    |   | ● |   |   |
| 3    |   |   | ● |   |
| 4    |   |   |   | ● |

### 1 BCD CODE

| POS. | 0 | 1 | 2 | 3 | 4 | 5 | 6 | 7 | 8 | 9 |
|------|---|---|---|---|---|---|---|---|---|---|
| C    | ● | ● | ● | ● | ● | ● | ● | ● | ● | ● |
| 1    |   | ● |   |   |   |   |   | ● |   | ● |
| 2    |   |   | ● | ● |   |   | ● | ● |   |   |
| 4    |   |   |   |   | ● | ● | ● | ● |   |   |
| 8    |   |   |   |   |   |   |   |   | ● | ● |

### 3 GRAY CODE ( for RTE10 only )

| POS. | 0 | 1 | 2 | 3 | 4 | 5 | 6 | 7 | 8 | 9 |
|------|---|---|---|---|---|---|---|---|---|---|
| C    | ● | ● | ● | ● | ● | ● | ● | ● | ● | ● |
| 1    |   | ● | ● |   |   | ● | ● |   |   | ● |
| 2    |   |   | ● | ● | ● | ● |   |   |   |   |
| 4    |   |   |   | ● | ● | ● | ● | ● | ● | ● |
| 8    |   |   |   |   |   |   |   |   | ● | ● |

### 4 HEXADECIMAL CODE

| POS. | 0 | 1 | 2 | 3 | 4 | 5 | 6 | 7 | 8 | 9 | A | B | C | D | E | F |
|------|---|---|---|---|---|---|---|---|---|---|---|---|---|---|---|---|
| C    | ● | ● | ● | ● | ● | ● | ● | ● | ● | ● | ● | ● | ● | ● | ● | ● |
| 1    |   | ● |   |   |   | ● | ● |   |   | ● |   | ● |   | ● |   | ● |
| 2    |   |   | ● | ● |   |   | ● | ● |   |   | ● |   | ● |   | ● |   |
| 4    |   |   |   |   | ● | ● | ● | ● |   |   |   | ● | ● | ● | ● | ● |
| 8    |   |   |   |   |   |   |   |   | ● | ● | ● | ● | ● | ● | ● | ● |

### 7 GRAY CODE (for RTE04 only)

| POS. | 1 | 2 | 3 | 4 |
|------|---|---|---|---|
| C    | ● | ● | ● | ● |
| 1    | ● |   |   |   |
| 2    |   | ● |   |   |
| 4    |   |   | ● |   |
| 8    |   |   |   | ● |

(for RTE16 only)

| POS. | 0 | 1 | 2 | 3 | 4 | 5 | 6 | 7 | 8 | 9 | A | B | C | D | E | F |
|------|---|---|---|---|---|---|---|---|---|---|---|---|---|---|---|---|
| C    | ● | ● | ● | ● | ● | ● | ● | ● | ● | ● | ● | ● | ● | ● | ● | ● |
| 1    |   | ● | ● |   |   | ● | ● |   |   | ● | ● |   | ● | ● |   | ● |
| 2    |   |   | ● | ● | ● | ● |   |   |   |   | ● | ● | ● | ● |   |   |
| 4    |   |   |   |   | ● | ● | ● | ● | ● | ● | ● | ● | ● | ● | ● | ● |
| 8    |   |   |   |   |   |   |   |   | ● | ● | ● | ● | ● | ● | ● | ● |

## CONTACT MATERIAL

| OPTION CODE | CONTACT MATERIAL | TERMINAL PLATING       |
|-------------|------------------|------------------------|
| 4           | Gold             | 0.5 µm / lead free tin |
| 7           | Gold             | 1.0 µm                 |



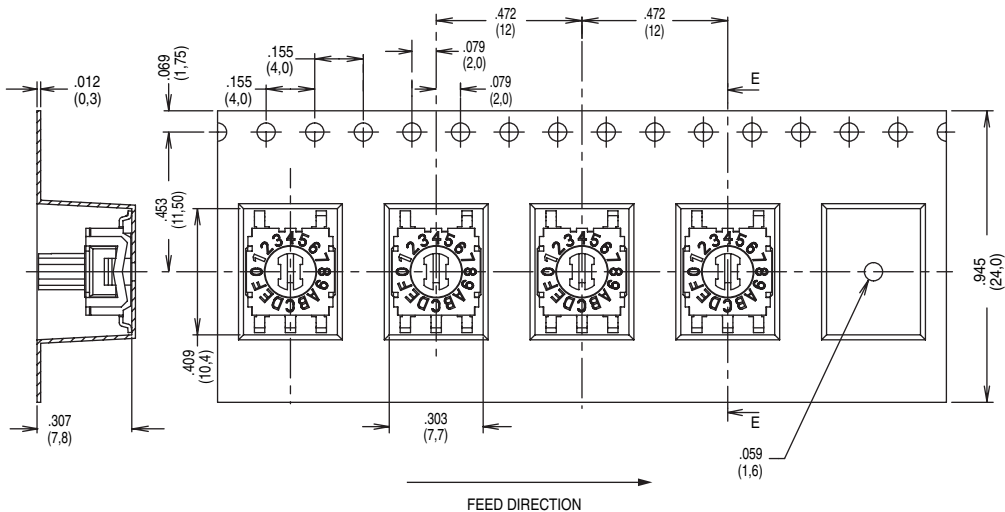
First Angle  
Projection

Dimensions are shown: Inch (mm)  
Specifications and dimensions subject to change

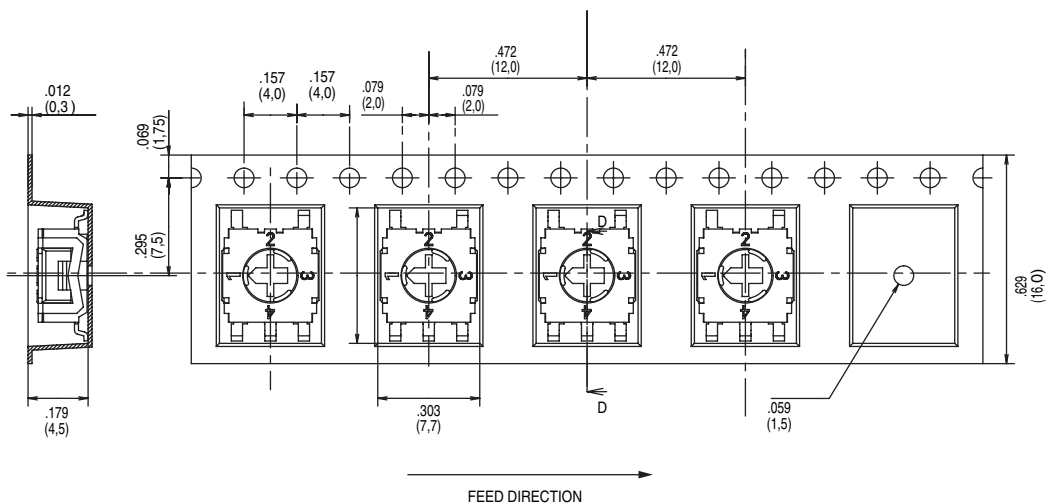
# RTE Series Low Profile Rotary DIP Switches

## TAPE AND REEL

Tape and reel for RTExx02Gxx  
750 pieces per reel.



Tape and reel for RTExx00Gxx  
1,250 pieces per reel.



Dimensions are shown: Inch (mm)  
Specifications and dimensions subject to change



Компания «ЭлектроПласт» предлагает заключение долгосрочных отношений при поставках импортных электронных компонентов на взаимовыгодных условиях!

Наши преимущества:

- Оперативные поставки широкого спектра электронных компонентов отечественного и импортного производства напрямую от производителей и с крупнейших мировых складов;
- Поставка более 17-ти миллионов наименований электронных компонентов;
- Поставка сложных, дефицитных, либо снятых с производства позиций;
- Оперативные сроки поставки под заказ (от 5 рабочих дней);
- Экспресс доставка в любую точку России;
- Техническая поддержка проекта, помощь в подборе аналогов, поставка прототипов;
- Система менеджмента качества сертифицирована по Международному стандарту ISO 9001;
- Лицензия ФСБ на осуществление работ с использованием сведений, составляющих государственную тайну;
- Поставка специализированных компонентов (Xilinx, Altera, Analog Devices, Intersil, Interpoint, Microsemi, Aeroflex, Peregrine, Syfer, Eurofarad, Texas Instrument, Miteq, Cobham, E2V, MA-COM, Hittite, Mini-Circuits, General Dynamics и др.);

Помимо этого, одним из направлений компании «ЭлектроПласт» является направление «Источники питания». Мы предлагаем Вам помощь Конструкторского отдела:

- Подбор оптимального решения, техническое обоснование при выборе компонента;
- Подбор аналогов;
- Консультации по применению компонента;
- Поставка образцов и прототипов;
- Техническая поддержка проекта;
- Защита от снятия компонента с производства.



#### Как с нами связаться

**Телефон:** 8 (812) 309 58 32 (многоканальный)

**Факс:** 8 (812) 320-02-42

**Электронная почта:** [org@eplast1.ru](mailto:org@eplast1.ru)

**Адрес:** 198099, г. Санкт-Петербург, ул. Калинина, дом 2, корпус 4, литера А.