

RTE Series Low Profile Rotary DIP Switches

ROHS COMPLIANT

H

DIP

Features/Benefits

- Thru-hole and surface mount models
- Miniature size with robust metal cover in black or silver nickel finish
- 4, 10, & 16 positions
- Large choice of codings
- Vertical, right angle or reverse versions
- RoHS compliant

Typical Applications

- Timers, automation components
- Computer and peripherals
- Alarms, access control, smoke detectors, lighting, home protection
- Instrumentation



Specifications

CONTACT RATING:

Gold: 100 mA max. 10µ A min. 30 V DC max. 20 mVDC min.

MECHANICAL LIFE: 20,000 indexations

CONTACT RESISTANCE: 100 mΩ max. initial;
150 mΩ after life

INSULATION RESISTANCE: 10¹⁰ Ω min. initial

DIELECTRIC STRENGTH: 300 Vrms 1 mn

OPERATING TEMPERATURE: -25°C to 85°C.

STORAGE TEMPERATURE: -55°C to 85°C.

PACKAGING:

Quantities

| Terminations | Actuator | Tube | Box (in bulk) | Carrier tape | Standard Package |
|--------------|-------------------------|------|---------------|--------------|------------------|
| G | Flush, screwdriver slot | | | 1250 | 1250 (1 reel) |
| | Shaft for button | | | 750 | 750 (1 reel) |
| N | All versions | 65 | | | 1950 (30 tubes) |
| V | All versions | | 150 | | 1500 (10 boxes) |
| R | Flush, screwdriver slot | 65 | | | 1950 (30 tubes) |
| | Shaft for button | | 150 | | 1500 (10 boxes) |

Materials

COVER: Brass, nickel plated (black or silver)

BASE: PPS

ACTUATOR: LCP

MOVABLE CONTACTS: Copper alloy, gold plated.

STATIONARY CONTACTS: Brass, gold plated.

TERMINALS: See page I-28 to I-29

O-RING: Silicone

SOLDERING PROCESS:

- Surface Mount Terminals: Infrared Reflow Soldering in accordance with IEC 61760-1.

- Non Reverse Thru-Hole Terminals: Lead free single or double wave soldering process according to C&K Procedure PS-LF-001

- Reverse Thru-Hole Terminals: Manual soldering: 3 sec / 350°C. Lead free single wave soldering process can be used but validation of the process must be done by customer

Note: Specifications and materials listed above are for switches with standard options. For information on specific and custom switches, consult Customer Service Center.

How To Order

The Build-A Switch concept allows you to mix and match options to create the switch you need. Below is a complete listing of options shown in catalog. To order, simply select desired option from each category and place in the appropriate box.

NOTE: Some of the configurations may not be available or could require some development.



Number of Positions

- RTE04** **ESD Protection and top plate**
- RTE10** **0** Without ESD - standard plate
- RTE16** **1** With ESD - standard plate ²
- B** Without ESD - black plate

- Actuator**
- 0** Flush, screwdriver slot
- 2** Shaft for button

- Terminations**
- N** Thru-hole
- V** Right angle
- G** Surface mount
- R** Reverse, thru-hole

- Switch Function**
- 0** Single pole ¹
- 1** BCD code
- 3** Gray Code (for RTE 10)
- 4** Hexadecimal code (for RTE 16)
- 7** Gray Code (for RTE 16)

- Contact/Terminal Material**
- 4** Gold 0.5 µm/ lead free tin
- 7** Gold 1.0 µm



First Angle Projection

1 - Single pole function not available for RTE10/RTE16
2 - ESD protection available with "N" and "R" terminations only

RTE Series Low Profile Rotary DIP Switches

SWITCHES WITH STANDARD OPTIONS

PC Mount-Terminal Option N



Right Angle Mount-Terminal Option V

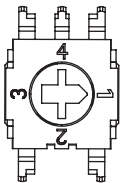


Surface Mount-Terminal Option G



NUMBER OF POSITIONS

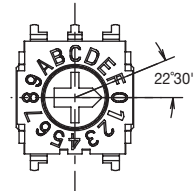
RTE04 4 POSITIONS



RTE10 10 POSITIONS



RTE16 16 POSITIONS



RTE Series Low Profile Rotary DIP Switches



H
DIP

ESD PROTECTION

0 WITHOUT



1 WITH

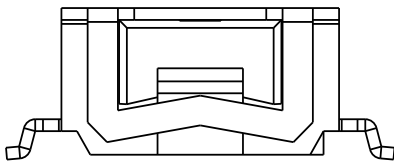


ACTUATOR

0 SCREWDRIVER SLOT



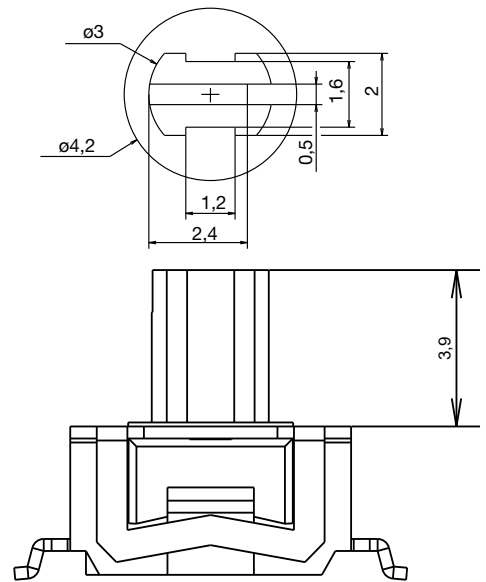
For all RTE versions



Except for RTE1000Gx4 (SMT)
RTE1600Gx4 (SMT)



2 SHAFT FOR BUTTON



Dimensions are shown: Inch (mm)
Specifications and dimensions subject to change



8 Nov 2019

RTE Series Low Profile Rotary DIP Switches

TERMINATIONS

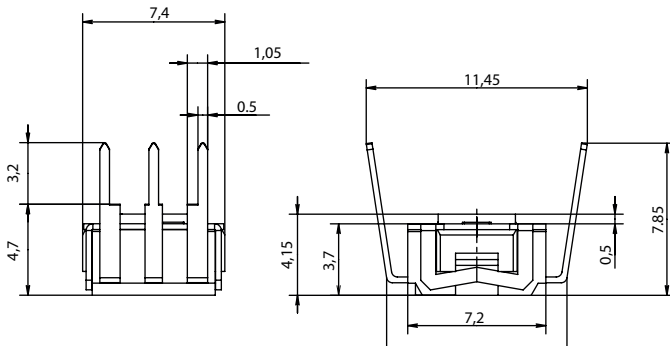
TERMINATIONS

DIP I

N THRU-HOLE



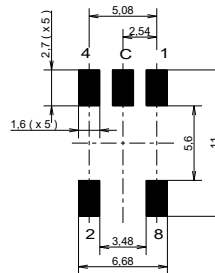
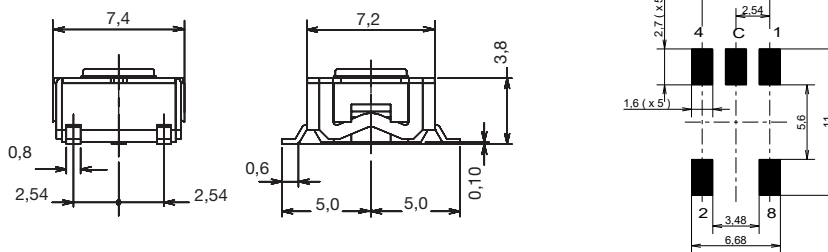
R REVERSE, THRU-HOLE



V RIGHT ANGLE, THRU-HOLE



G SURFACE MOUNT



PCB layout seen component side



Dimensions are shown: Inch (mm)
Specifications and dimensions subject to change



H

DIP

SWITCH FUNCTION

0 SINGLE POLE

| POS. | 1 | 2 | 3 | 4 |
|------|---|---|---|---|
| C | ● | ● | ● | ● |
| 1 | ● | | | |
| 2 | | ● | | |
| 3 | | | ● | |
| 4 | | | | ● |

1 BCD CODE

| POS. | 0 | 1 | 2 | 3 | 4 | 5 | 6 | 7 | 8 | 9 |
|------|---|---|---|---|---|---|---|---|---|---|
| C | ● | ● | ● | ● | ● | ● | ● | ● | ● | ● |
| 1 | | ● | | | | | | ● | | ● |
| 2 | | | ● | ● | | | ● | ● | | |
| 4 | | | | | ● | ● | ● | ● | | |
| 8 | | | | | | | | | ● | ● |

3 GRAY CODE (for RTE10 only)

| POS. | 0 | 1 | 2 | 3 | 4 | 5 | 6 | 7 | 8 | 9 |
|------|---|---|---|---|---|---|---|---|---|---|
| C | ● | ● | ● | ● | ● | ● | ● | ● | ● | ● |
| 1 | | ● | ● | | | ● | ● | | | ● |
| 2 | | | ● | ● | ● | | | | | |
| 4 | | | | ● | ● | ● | ● | ● | ● | ● |
| 8 | | | | | | | | | ● | ● |

4 HEXADECIMAL CODE

| POS. | 0 | 1 | 2 | 3 | 4 | 5 | 6 | 7 | 8 | 9 | A | B | C | D | E | F |
|------|---|---|---|---|---|---|---|---|---|---|---|---|---|---|---|---|
| C | ● | ● | ● | ● | ● | ● | ● | ● | ● | ● | ● | ● | ● | ● | ● | ● |
| 1 | | ● | | | | ● | ● | | ● | | ● | | ● | | ● | ● |
| 2 | | | ● | ● | | | ● | ● | | | ● | | ● | | ● | ● |
| 4 | | | | | ● | ● | ● | ● | | | | ● | ● | ● | ● | ● |
| 8 | | | | | | | | | ● | ● | ● | ● | ● | ● | ● | ● |

7 GRAY CODE (for RTE04 only)

| POS. | 1 | 2 | 3 | 4 |
|------|---|---|---|---|
| C | ● | ● | ● | ● |
| 1 | ● | | | |
| 2 | | ● | | |
| 4 | | | ● | |
| 8 | | | | ● |

(for RTE16 only)

| POS. | 0 | 1 | 2 | 3 | 4 | 5 | 6 | 7 | 8 | 9 | A | B | C | D | E | F |
|------|---|---|---|---|---|---|---|---|---|---|---|---|---|---|---|---|
| C | ● | ● | ● | ● | ● | ● | ● | ● | ● | ● | ● | ● | ● | ● | ● | ● |
| 1 | | ● | ● | | | ● | ● | | ● | | ● | | ● | | ● | ● |
| 2 | | | ● | ● | ● | ● | | | ● | | ● | | ● | | ● | ● |
| 4 | | | | ● | ● | ● | ● | ● | ● | ● | ● | | ● | | ● | ● |
| 8 | | | | | | | | | ● | ● | ● | ● | ● | ● | ● | ● |

CONTACT MATERIAL

| OPTION CODE | CONTACT MATERIAL | TERMINAL PLATING |
|-------------|------------------|------------------------|
| 4 | Gold | 0.5 µm / lead free tin |
| 7 | Gold | 1.0 µm |



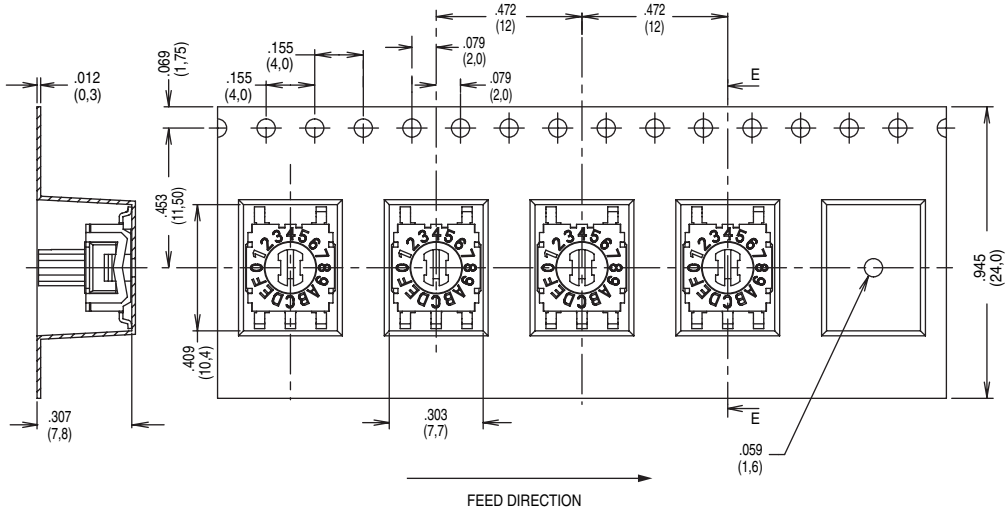
First Angle
Projection

Dimensions are shown: Inch (mm)
Specifications and dimensions subject to change

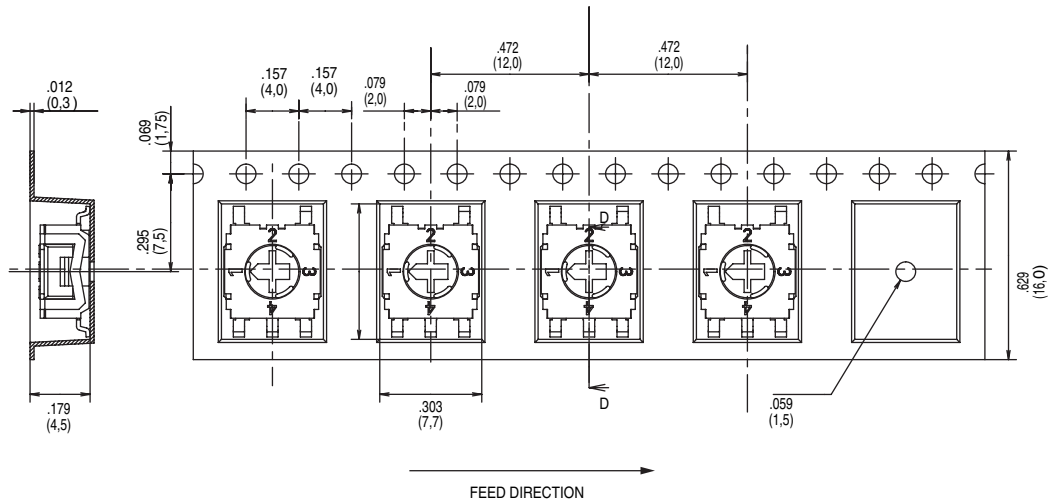
RTE Series Low Profile Rotary DIP Switches

TAPE AND REEL

Tape and reel for RTExx02Gxx
750 pieces per reel.



Tape and reel for RTExx00Gxx
1,250 pieces per reel.



Dimensions are shown: Inch (mm)
Specifications and dimensions subject to change



Компания «ЭлектроПласт» предлагает заключение долгосрочных отношений при поставках импортных электронных компонентов на взаимовыгодных условиях!

Наши преимущества:

- Оперативные поставки широкого спектра электронных компонентов отечественного и импортного производства напрямую от производителей и с крупнейших мировых складов;
- Поставка более 17-ти миллионов наименований электронных компонентов;
- Поставка сложных, дефицитных, либо снятых с производства позиций;
- Оперативные сроки поставки под заказ (от 5 рабочих дней);
- Экспресс доставка в любую точку России;
- Техническая поддержка проекта, помощь в подборе аналогов, поставка прототипов;
- Система менеджмента качества сертифицирована по Международному стандарту ISO 9001;
- Лицензия ФСБ на осуществление работ с использованием сведений, составляющих государственную тайну;
- Поставка специализированных компонентов (Xilinx, Altera, Analog Devices, Intersil, Interpoint, Microsemi, Aeroflex, Peregrine, Syfer, Eurofarad, Texas Instrument, Miteq, Cobham, E2V, MA-COM, Hittite, Mini-Circuits, General Dynamics и др.);

Помимо этого, одним из направлений компании «ЭлектроПласт» является направление «Источники питания». Мы предлагаем Вам помощь Конструкторского отдела:

- Подбор оптимального решения, техническое обоснование при выборе компонента;
- Подбор аналогов;
- Консультации по применению компонента;
- Поставка образцов и прототипов;
- Техническая поддержка проекта;
- Защита от снятия компонента с производства.



Как с нами связаться

Телефон: 8 (812) 309 58 32 (многоканальный)

Факс: 8 (812) 320-02-42

Электронная почта: org@eplast1.ru

Адрес: 198099, г. Санкт-Петербург, ул. Калинина, дом 2, корпус 4, литера А.