

Ultra compact and efficient 1-stage filter in ECO design for 3-phase systems



See below:

Approvals and Compliances

Description

- High attenuation value

Applications

- Voltage rating 480 VAC for world wide acceptance
- Especially designed for industrial applications such as: Frequency Converters, Stepper Motor Drives, UPS-Systems, Inverters
- Suitable for use in equipment according to IEC/UL 62368-1

Weblinks

[pdf data sheet](#), [html datasheet](#), [General Product Information](#), [Approvals](#), [Distributor-Stock-Check](#), [Detailed request for product](#), [Microsite](#)

Technical Data

| | |
|-------------------------|---|
| Rated Current | 16 - 150A @ Ta 40 °C |
| Rated voltage | 480VAC, 50/60 Hz |
| Approval for | 16 - 150A @ Ta 40 °C / 480VAC; 50/60Hz |
| Overload Current | 1.5 x Ir for 1 minute, per hour |
| Leakage Current | < 15mA (440V / 50Hz) |
| Dielectric Strength | 480VAC: > 2.25kVDC between L-L > 3kVDC between L-PE Test voltage 2 sec |
| Number of Filter Stages | 1-stage |
| Weight | 1 - 7kg |
| Material: Housing | Aluminum |
| Sealing Compound | UL 94V-0 |

| | |
|-----------------------|---|
| Mounting | Screw-on mounting on chassis, upright or lengthwise |
| Terminal | Bolts and nuts |
| Operating Temperature | -25 °C to 100 °C |
| Climatic Category | 25/100/21 acc. to IEC 60068-1 |
| Degree of Protection | IP20 acc. to IEC 60529 |
| Protection Class | Suitable for appliances with protection class I acc. to IEC 61140 |
| MTBF | > 200'000h acc. to MIL-HB-217 F |

Approvals and Compliances

Detailed information on product approvals, code requirements, usage instructions and detailed test conditions can be looked up in [Details about Approvals](#)

SCHURTER products are designed for use in industrial environments. They have approvals from independent testing bodies according to national and international standards. Products with specific characteristics and requirements such as required in the automotive sector according to IATF 16949, medical technology according to ISO 13485 or in the aerospace industry can be offered exclusively with customer-specific, individual agreements by SCHURTER.

Approvals

The approval mark is used by the testing authorities to certify compliance with the safety requirements placed on electronic products.

Approval Reference Type: FMAC ECO

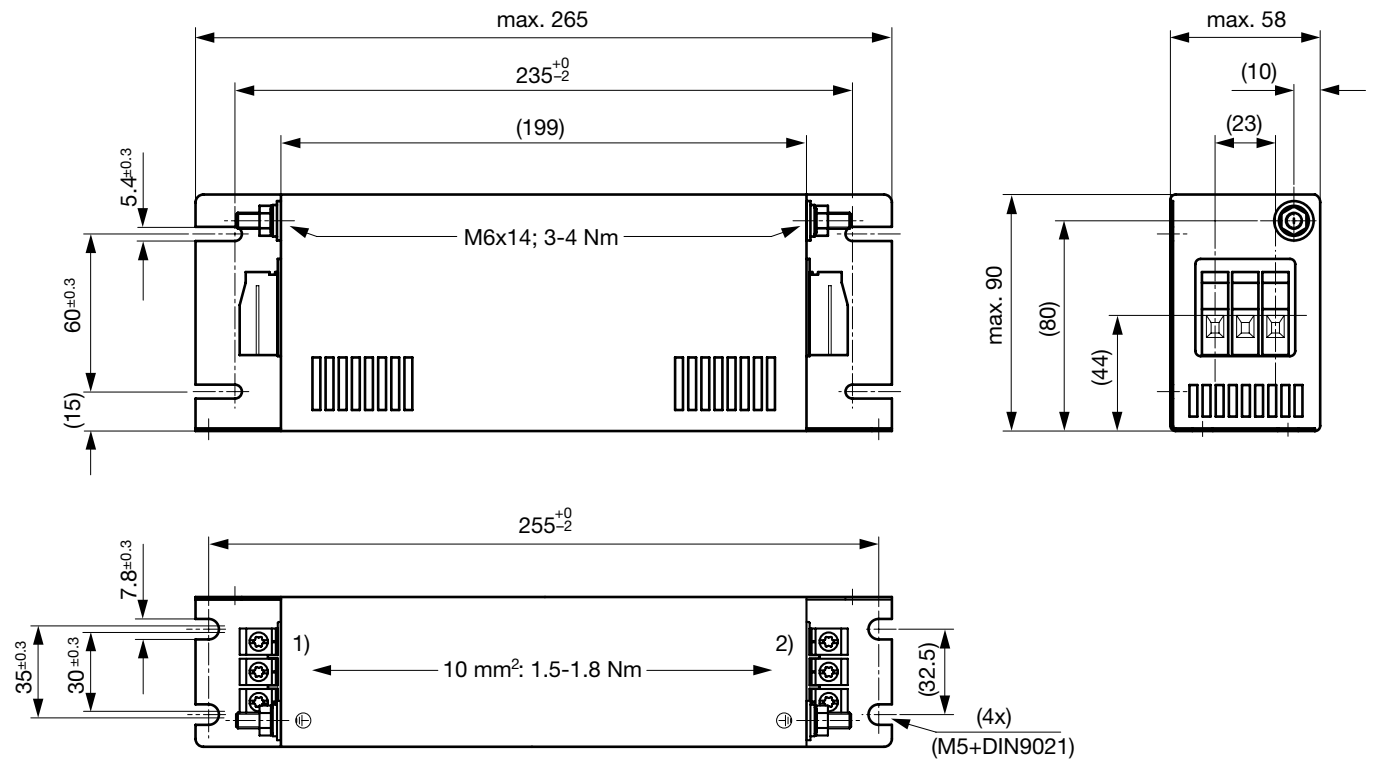
| Approval Logo | Certificates | Certification Body | Description |
|---------------|-------------------------------|--------------------|------------------------------|
| | VDE Approvals | VDE | Certificate Number: 40028851 |
| | UL Approvals | UL | UL File Number: E72928 |

Product standards

Product standards that are referenced

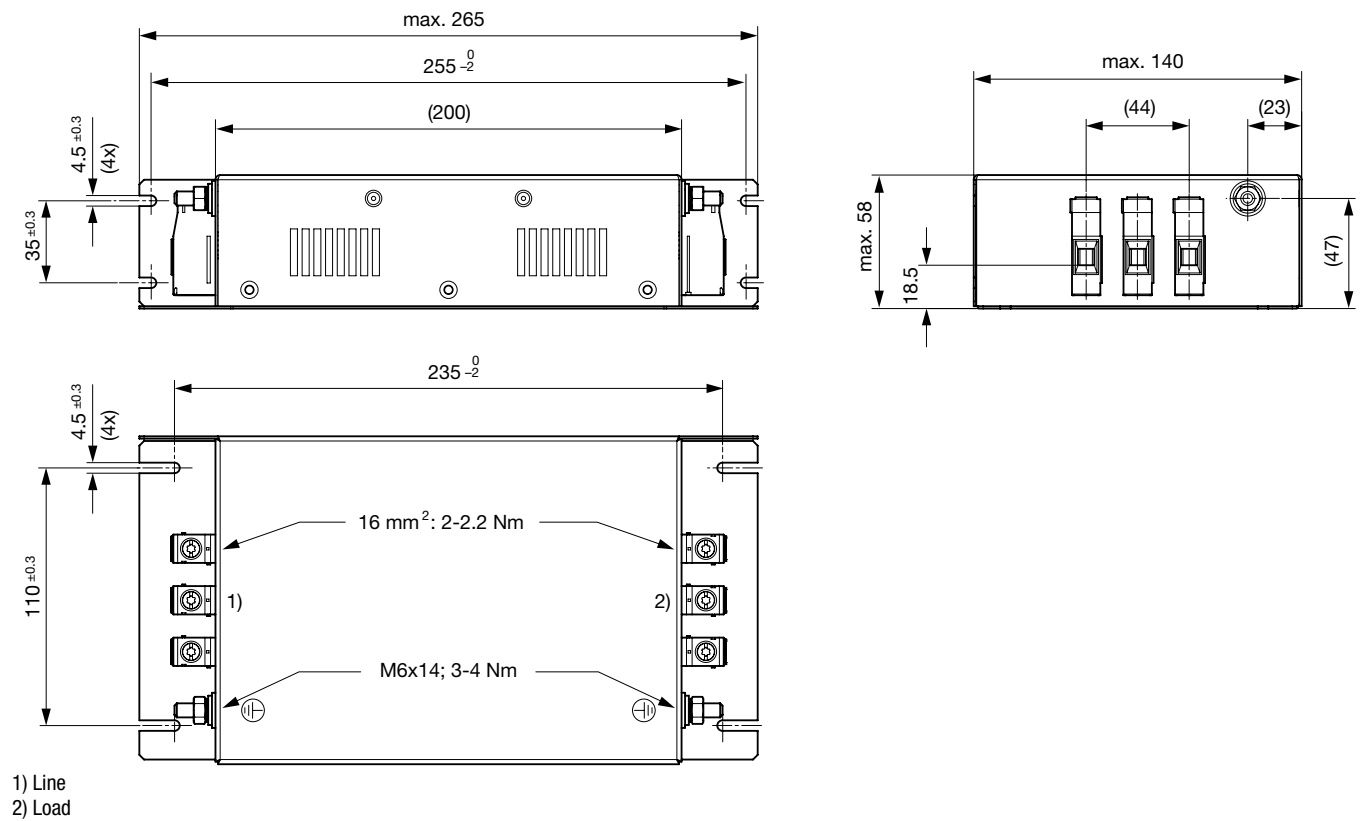
| Organization | Design | Standard | Description |
|--------------|-----------------------|-----------|--|
| | Designed according to | IEC 60939 | Passive filters for suppressing electromagnetic interference |
| | Designed according to | UL 1283 | Electromagnetic interference filters |

Case 1D-10



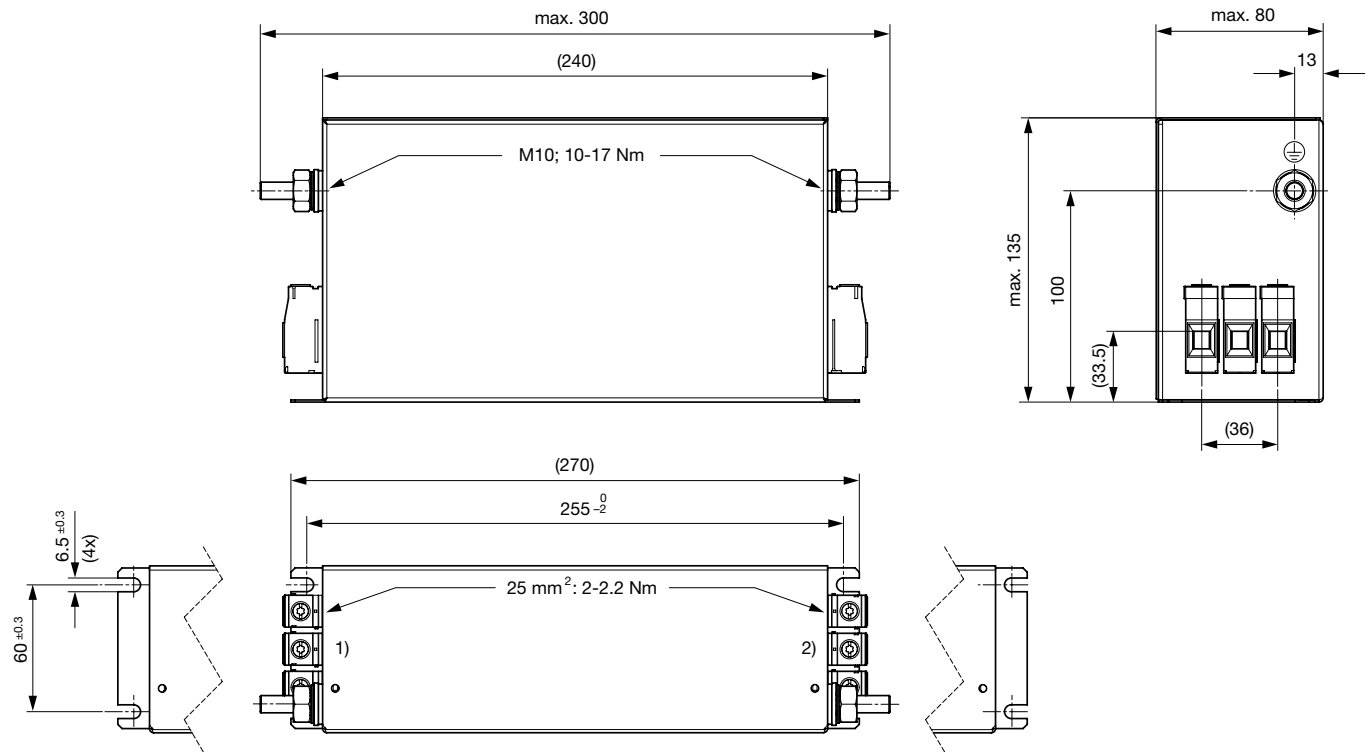
- 1) Line
- 2) Load

Case 1E



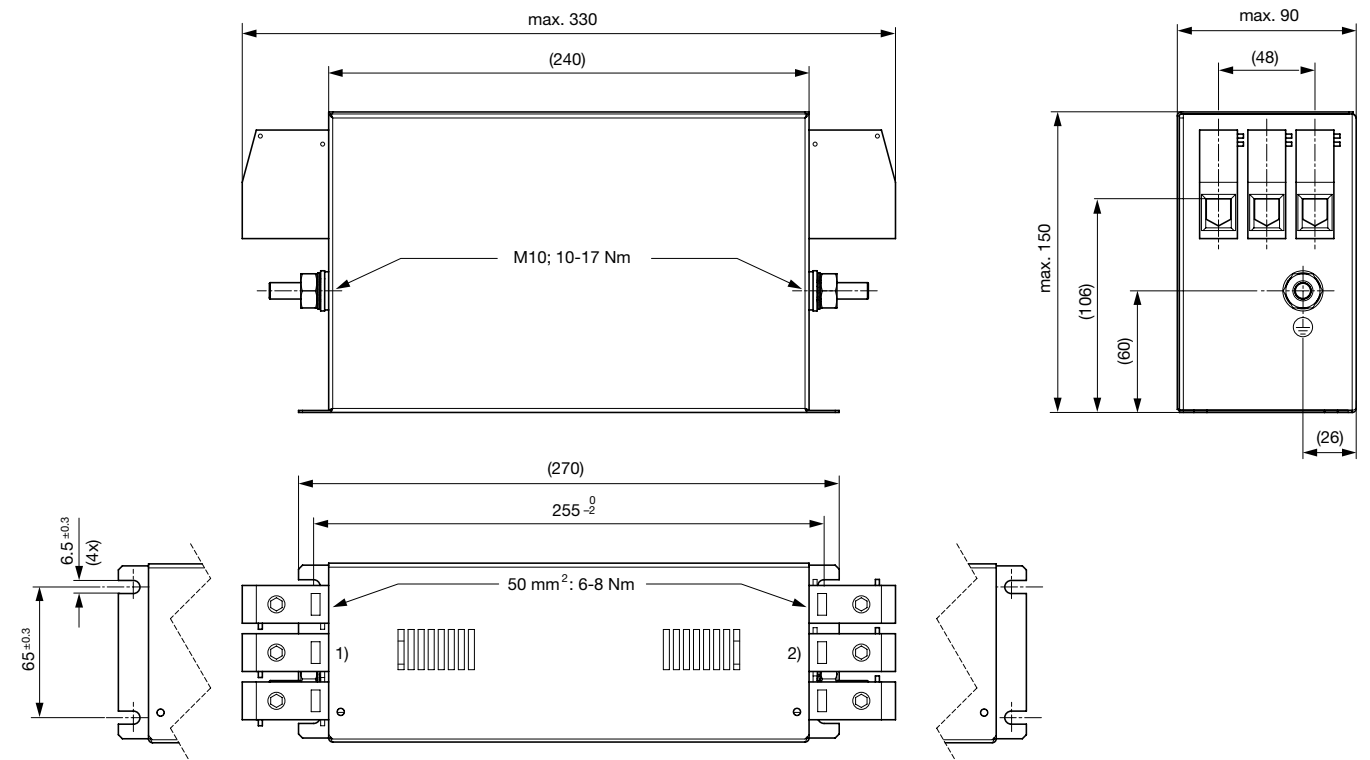
- 1) Line
- 2) Load

Case 1T



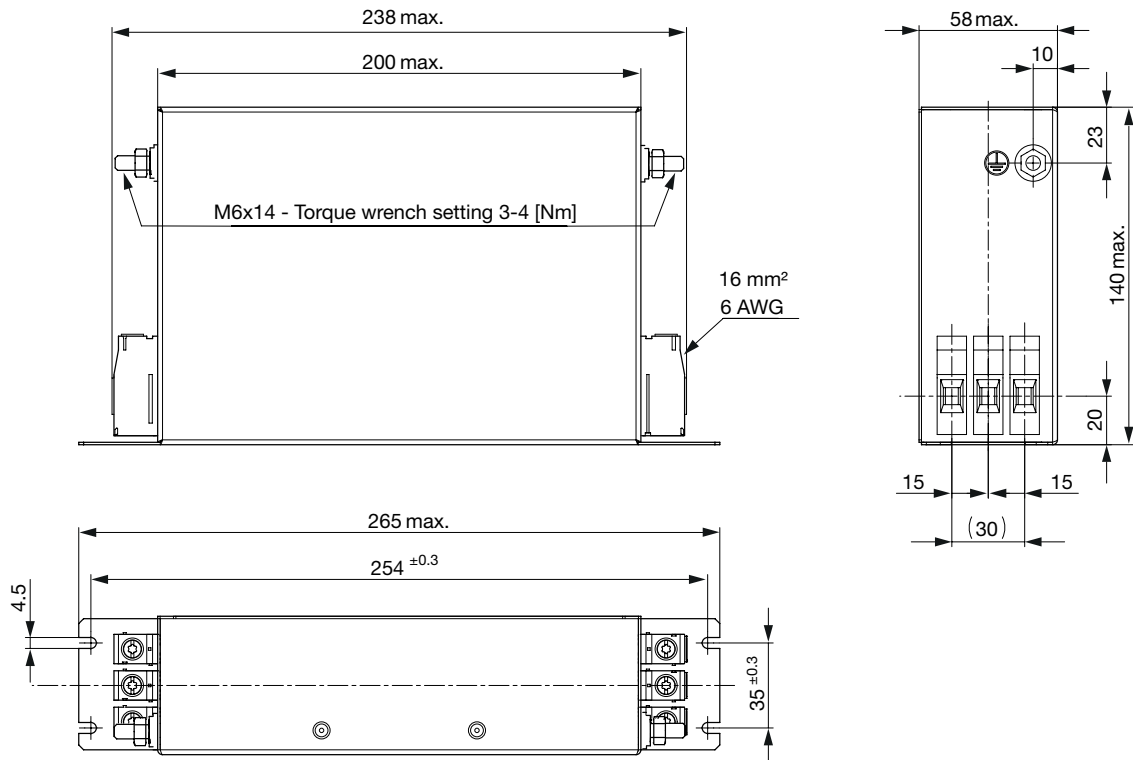
- 1) Line
- 2) Load

Case 1G



- 1) Line
- 2) Load

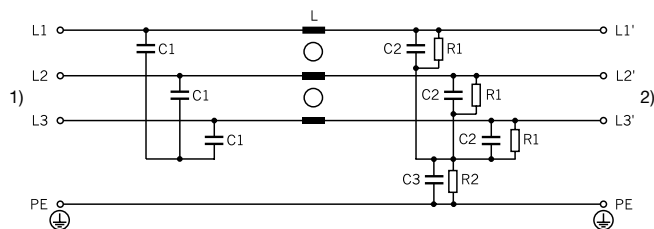
Case SF



Technical data to the filter components

| Rated Current [A] | L [mH] | C1 [μF] | C2 [μF] | C3 [μF] | R1 [MΩ] | R2 [MΩ] | Filter-Type |
|-------------------|--------|---------|---------|---------|---------|---------|-------------|
| 110 | 0.55 | 6.6 | 6.6 | 3.3 | 1 | 1 | Indus- |
| 150 | 0.48 | 6.6 | 6.6 | 3.3 | 1 | 1 | Indus- |
| 16 | 0.55 | 2.2 | 2.2 | 3.3 | 1 | 1 | Indus- |
| 25 | 0.45 | 2.2 | 2.2 | 3.3 | 1 | 1 | Indus- |
| 36 | 0.57 | 2.2 | 2.2 | 3.3 | 1 | 1 | Indus- |
| 50 | 0.65 | 4.7 | 3.3 | 3.3 | 1 | 1 | Indus- |
| 55 | 0.75 | 4.7 | 3.3 | 3.3 | 1 | 1 | Indus- |
| 64 | 0.55 | 4.7 | 3.3 | 3.3 | 1 | 1 | Indus- |
| 80 | 0.55 | 4.7 | 4.7 | 3.3 | 1 | 1 | Indus- |

Diagrams



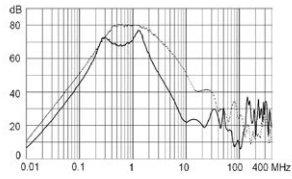
- 1) Line
- 2) Load

Attenuation Loss

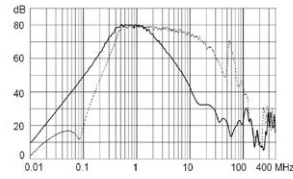
--- 50Ω differential mode ____ 50Ω common mode

Industrial version

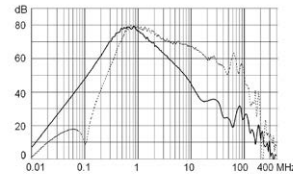
16A (FMAC-091C-1610)



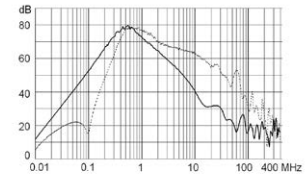
25A (FMAC-091C-2510)



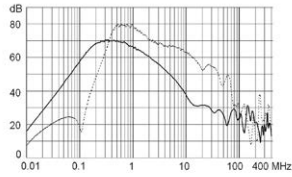
36A (FMAC-091D-3610)



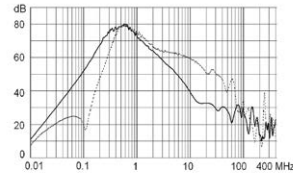
50A (FMAC-091D-5010)



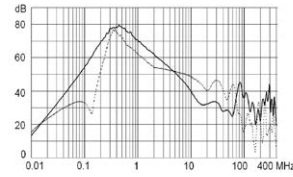
55A (FMAC-091D-5510)



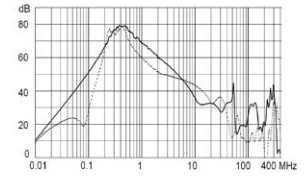
64A (FMAC-091E-6410)



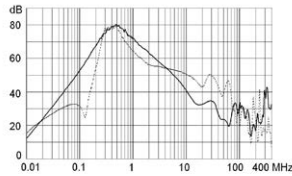
80A (FMAC-091T-8010)



110A (FMAC-091G-H110)



150A (FMAC-091G-H210)



All Variants

| Rated Current @ Tu 40°C (75°C) [A] | Characteristic | Rated Voltage [VAC] | Tripped Power Dissipation [W] | Leakage Current [mA] @ 440V _r | Contact Resistance [mΩ] | Weight [kg] | Screw clamps [mm ²] 2) | Housings | Order Number |
|------------------------------------|------------------|---------------------|-------------------------------|--|-------------------------|-------------|------------------------------------|----------|----------------|
| 16 | High attenuation | 480 | 6 | 8.9 | 7.6 | 1 kg | 4 | 1C | FMAC-091C-1610 |
| 25 | High attenuation | 480 | 8 | 8.9 | 4.1 | 1 kg | 4 | 1C | FMAC-091C-2510 |
| 36 | High attenuation | 480 | 10 | 8.9 | 2.5 | 1.3 kg | 10 | 1D-10 | FMAC-091D-3610 |
| 50 | High attenuation | 480 | 13 | 10.2 | 1.7 | 1.7 kg | 10 | 1D-10 | FMAC-091D-5010 |
| 55 | High attenuation | 480 | 14 | 10.2 | 1.5 | 1.7 kg | 10 | 1D-10 | FMAC-091D-5510 |
| 64 | High attenuation | 480 | 17 | 10.2 | 1.4 | 2 kg | 16 | 1E | FMAC-091E-6410 |
| 110 | High attenuation | 480 | 28 | 11.8 | 0.8 | 5.8 kg | 50 | 1G | FMAC-091G-H110 |
| 150 | High attenuation | 480 | 40 | 11.8 | 0.6 | 7 kg | 50 | 1G | FMAC-091G-H210 |
| 80 | High attenuation | 480 | 22 | 11.1 | 1.1 | 5.1 kg | 25 | 1T | FMAC-091T-8010 |
| 64 | High attenuation | 480 | 17 | 10.2 | 1.4 | 2 kg | 16 | SF | FMAC-3FSF-6410 |

Most Popular.

Availability for all products can be searched real-time: <https://www.schurter.com/en/Stock-Check/Stock-Check-SCHURTER>

1) Leakage current according IEC 60939-1

2) Maximum conductor cross section (wire gauge) to be used; a comparative table for AWG and mm² values can be found in the general product information <https://www.schurter.com/en/FAQ#10>

Packaging unit 1 Pcs



Компания «ЭлектроПласт» предлагает заключение долгосрочных отношений при поставках импортных электронных компонентов на взаимовыгодных условиях!

Наши преимущества:

- Оперативные поставки широкого спектра электронных компонентов отечественного и импортного производства напрямую от производителей и с крупнейших мировых складов;
- Поставка более 17-ти миллионов наименований электронных компонентов;
- Поставка сложных, дефицитных, либо снятых с производства позиций;
- Оперативные сроки поставки под заказ (от 5 рабочих дней);
- Экспресс доставка в любую точку России;
- Техническая поддержка проекта, помощь в подборе аналогов, поставка прототипов;
- Система менеджмента качества сертифицирована по Международному стандарту ISO 9001;
- Лицензия ФСБ на осуществление работ с использованием сведений, составляющих государственную тайну;
- Поставка специализированных компонентов (Xilinx, Altera, Analog Devices, Intersil, Interpoint, Microsemi, Aeroflex, Peregrine, Syfer, Eurofarad, Texas Instrument, Miteq, Cobham, E2V, MA-COM, Hittite, Mini-Circuits, General Dynamics и др.);

Помимо этого, одним из направлений компании «ЭлектроПласт» является направление «Источники питания». Мы предлагаем Вам помощь Конструкторского отдела:

- Подбор оптимального решения, техническое обоснование при выборе компонента;
- Подбор аналогов;
- Консультации по применению компонента;
- Поставка образцов и прототипов;
- Техническая поддержка проекта;
- Защита от снятия компонента с производства.



Как с нами связаться

Телефон: 8 (812) 309 58 32 (многоканальный)

Факс: 8 (812) 320-02-42

Электронная почта: org@eplast1.ru

Адрес: 198099, г. Санкт-Петербург, ул. Калинина, дом 2, корпус 4, литера А.