

CMOS Low Voltage Photoelectric Smoke Detector ASIC with Interconnect and Timer Mode

Features

- Two AA Battery Operation
- Internal Power On Reset
- Low Quiescent Current Consumption
- Available in 16L N SOIC
- Local Alarm Memory
- Interconnect up to 40 Detectors
- 9 Minute Timer for Sensitivity Control
- Temporal or Continuous Horn Pattern
- Internal Low Battery and Chamber Test
- All Internal Oscillator
- Internal Infrared Emitter Diode (IRED) driver
- Adjustable IRED Drive current
- Adjustable Hush Sensitivity
- 2% Low Battery Set Point

Description

The RE46C190 is a low power, low voltage CMOS photoelectric type smoke detector IC. With minimal external components, this circuit will provide all the required features for a photoelectric-type smoke detector.

The design incorporates a gain-selectable photo amplifier for use with an infrared emitter/detector pair.

An internal oscillator strobes power to the smoke detection circuitry every 10 seconds, to keep the standby current to a minimum. If smoke is sensed, the detection rate is increased to verify an Alarm condition. A high gain mode is available for push button chamber testing.

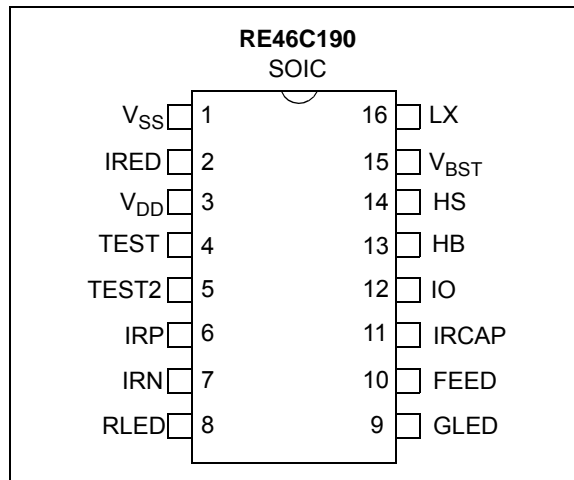
A check for a low battery condition is performed every 86 seconds, and chamber integrity is tested once every 43 seconds, when in Standby. The temporal horn pattern supports the NFPA 72 emergency evacuation signal.

An interconnect pin allows multiple detectors to be connected such that, when one unit alarms, all units will sound.

An internal 9 minute timer can be used for a Reduced Sensitivity mode.

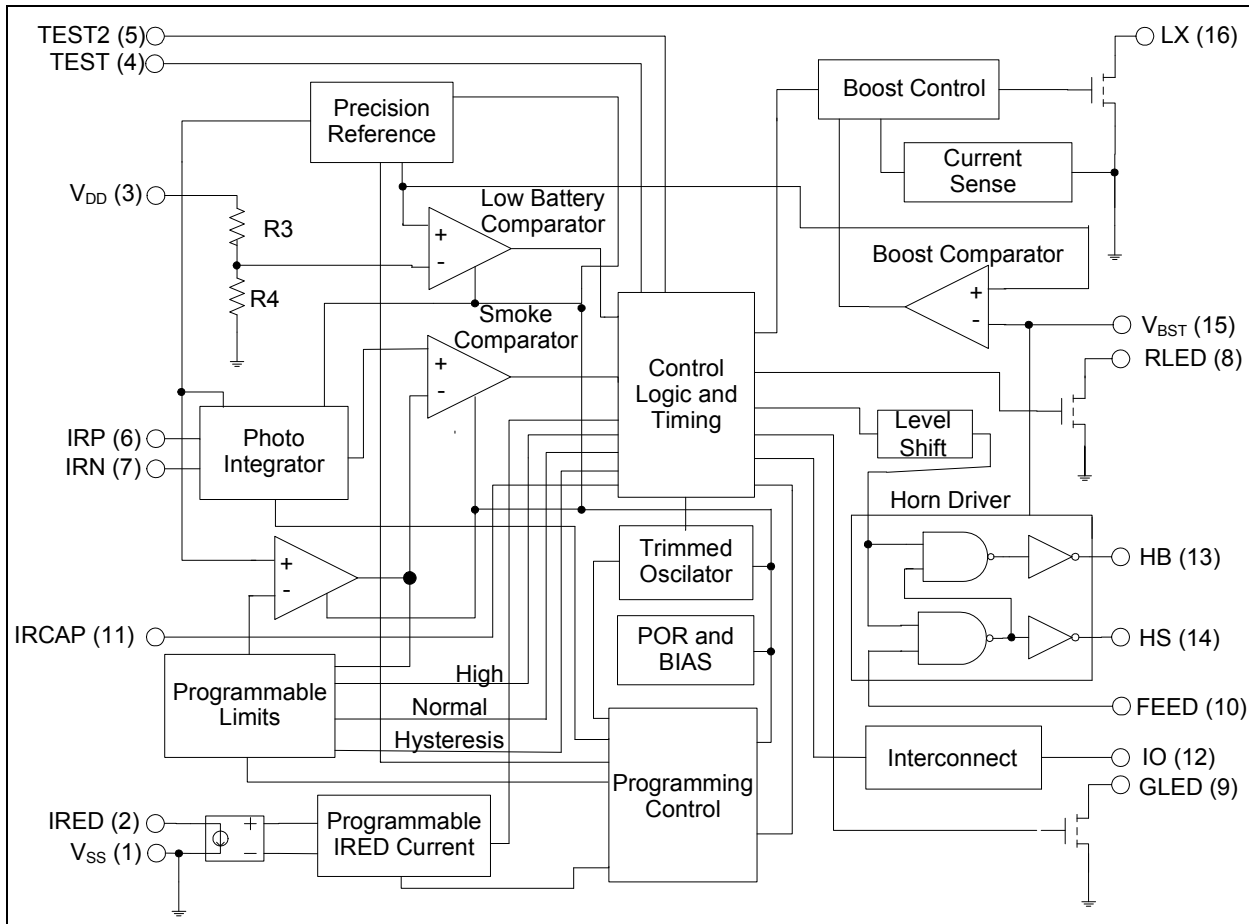
Utilizing low power CMOS technology, the RE46C190 was designed for use in smoke detectors that comply with Underwriters Laboratory Specification UL217 and UL268.

PIN CONFIGURATION

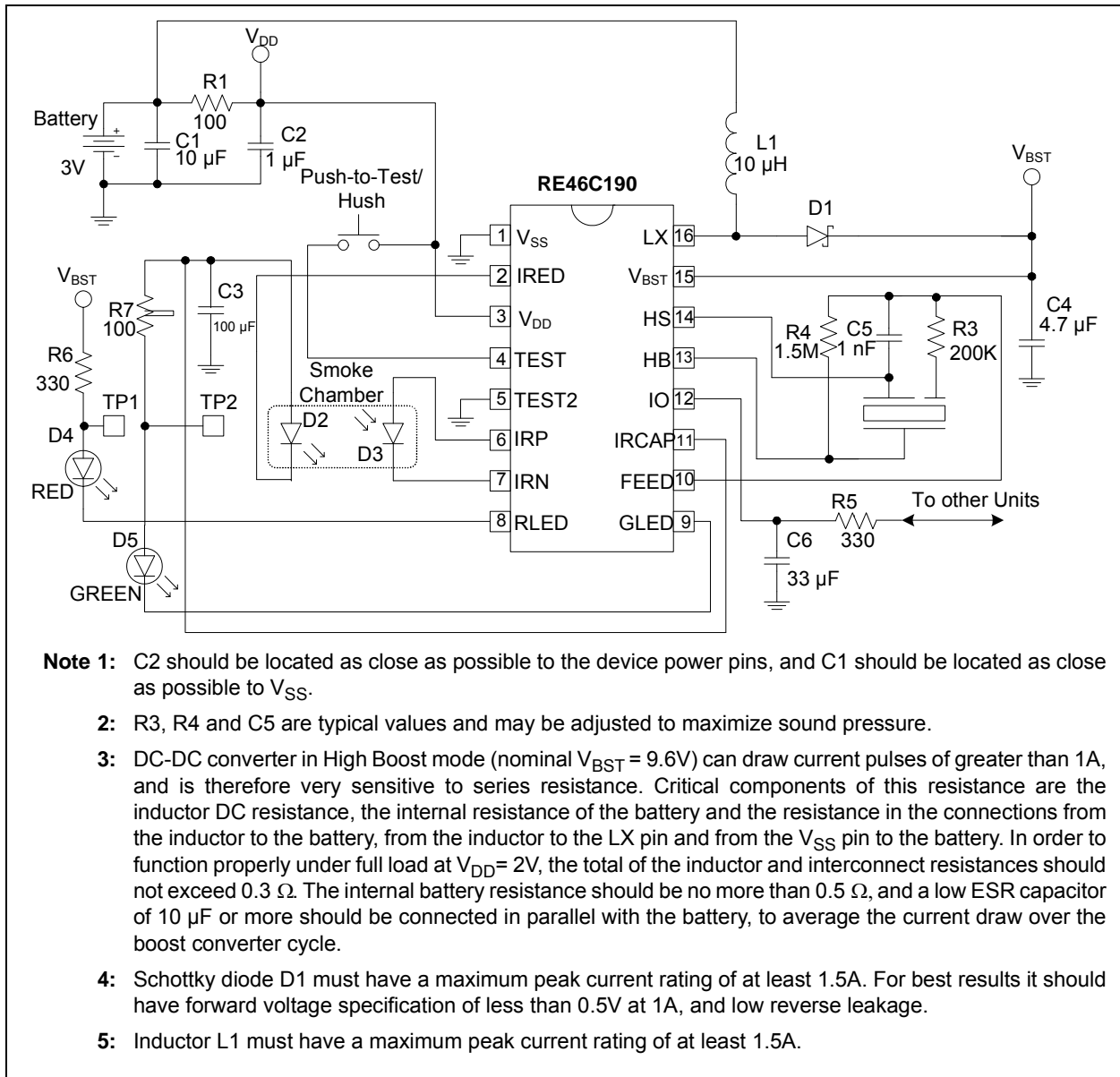


RE46C190

TYPICAL BLOCK DIAGRAM



TYPICAL BATTERY APPLICATION



RE46C190

NOTES:

1.0 ELECTRICAL CHARACTERISTICS

Absolute Maximum Ratings†

Supply Voltage $V_{DD}=5.5V$; $V_{BST}=13V$
 Input Voltage Range Except FEED, TEST..... $V_{IN} = -3V$ to $V_{DD} +3V$
 FEED Input Voltage Range $V_{INFD} = -10$ to $+22V$
 TEST Input Voltage Range $V_{INTEST} = -3V$ to $V_{BST}+3V$
 Input Current except FEED..... $I_{IN} = 10$ mA
 Continuous Operating Current (HS, HB, V_{BST})..... $I_O = 40$ mA
 Continuous Operating Current (IRED) $I_{OIR} = 300$ mA
 Operating Temperature $T_A = -10$ to $+60^\circ C$
 Storage Temperature $T_{STG} = -55$ to $+125^\circ C$
 ESD Human Body Model $V_{HBM} = 750V$
 ESD Machine Model $V_{MM} = 75V$

† **Notice:** Stresses above those listed under “Maximum ratings” may cause permanent damage to the device. This is a stress rating only and functional operation of the device at these or any other conditions above those indicated in the operation listings of this specification is not implied. Exposure to maximum rating conditions for extended periods may affect device reliability.

DC ELECTRICAL CHARACTERISTICS

DC Electrical Characteristics: Unless otherwise indicated, all parameters apply at $T_A = -10$ to $+60^\circ C$, $V_{DD} = 3V$, $V_{BST} = 4.2V$, Typical Application (unless otherwise noted)([Note 1](#), [Note 2](#), [Note 3](#))

Parameter	Symbol	Test Pin	Min	Typ	Max	Units	Conditions
Supply Voltage	V_{DD}	3	2	—	5.0	V	Operating
Supply Current	I_{DD1}	3	—	1	2	μA	Standby, Inputs low, No loads, Boost Off, No smoke check
Standby Boost Current	I_{BST1}	15	—	100	—	nA	Standby, Inputs low, No loads, Boost Off, No smoke check
IRCAP Supply Current	I_{IRCAP}	11	—	500	—	μA	During smoke check
Boost Voltage	V_{BST1}	15	3.0	3.6	4.2	V	IRCAP charging for Smoke Check, GLED operation $I_{OUT} = 40$ mA
	V_{BST2}	15	8.5	9.6	10.7	V	No local alarm, RLED Operation, $I_{OUT} = 40$ mA, IO as an input
Input Leakage	I_{INOP}	6	-200	—	200	μA	IRP = V_{DD} or V_{SS}
		7	-200	—	200	μA	IRN = V_{DD} or V_{SS}
	I_{IHF}	10	—	20	50	μA	FEED = 22V; $V_{BST} = 9V$
	I_{ILF}	10	-50	-15	—	μA	FEED = -10V; $V_{BST} = 10.7V$
Input Voltage Low	V_{IL1}	10	—	—	2.7	V	FEED, $V_{BST} = 9V$
	V_{IL2}	12	—	—	800	mV	No local alarm, IO as an input

Note 1: Wherever a specific V_{BST} value is listed under test conditions, the V_{BST} is forced externally with the inductor disconnected and the DC-DC converter NOT running.

2: Typical values are for design information only.

3: Limits over the specified temperature range are not production tested and are based on characterization data. Unless otherwise stated, production test is at room temperature with guardbanded limits.

4: Not production tested.

RE46C190

DC ELECTRICAL CHARACTERISTICS (CONTINUED)

DC Electrical Characteristics: Unless otherwise indicated, all parameters apply at $T_A = -10$ to $+60^\circ\text{C}$, $V_{DD} = 3\text{V}$, $V_{BST} = 4.2\text{V}$, Typical Application (unless otherwise noted)([Note 1](#), [Note 2](#), [Note 3](#))

Parameter	Symbol	Test Pin	Min	Typ	Max	Units	Conditions
Input Voltage High	V_{IH1}	10	6.2	—	—	V	FEED; $V_{BST} = 9\text{V}$
	V_{IH2}	12	2.0	—	—	V	No local alarm, IO as an input
IO Hysteresis	V_{HYST1}	12	—	150	—	mV	
Input Pull Down Current	I_{PD1}	4, 5	0.25	—	10	μA	$V_{IN} = V_{DD}$
	I_{PDIO1}	12	20	—	80	μA	$V_{IN} = V_{DD}$
	I_{PDIO2}	12	—	—	140	μA	$V_{IN} = 15\text{V}$
Output Voltage Low	V_{OL1}	13, 14	—	—	1	V	$I_{OL} = 16\text{ mA}$, $V_{BST} = 9\text{V}$
	V_{OL2}	8	—	—	300	mV	$I_{OL} = 10\text{ mA}$, $V_{BST} = 9\text{V}$
	V_{OL3}	9	—	—	300	mV	$I_{OL} = 10\text{ mA}$, $V_{BST} = 3.6\text{V}$
Output High Voltage	V_{OH1}	13, 14	8.5	—	—	V	$I_{OL} = 16\text{ mA}$, $V_{BST} = 9\text{V}$
Output Current	I_{IOH1}	12	-4	-5	—	mA	Alarm, $V_{IO} = 3\text{V}$ or $V_{IO} = 0\text{V}$, $V_{BST} = 9\text{V}$
	I_{IODMP}	12	5	30	—	mA	At Conclusion of Local Alarm or Test, $V_{IO}=1\text{V}$
	I_{IRED50}	2	45	50	55	mA	IRED on, $V_{IRED} = 1\text{V}$, $V_{BST} = 5\text{V}$, IRCAP = 5V, (50 mA option selected; $T_A = 27^\circ\text{C}$)
	$I_{IRED100}$	2	90	100	110	mA	IRED on, $V_{IRED} = 1\text{V}$, $V_{BST} = 5\text{V}$, IRCAP = 5V, (100 mA option selected; $T_A = 27^\circ\text{C}$)
	$I_{IRED150}$	2	135	150	165	mA	IRED on, $V_{IRED} = 1\text{V}$, $V_{BST} = 5\text{V}$, IRCAP = 5V, (150 mA option selected; $T_A = 27^\circ\text{C}$)
	$I_{IRED2050}$	2	180	200	220	mA	IRED on, $V_{IRED} = 1\text{V}$, $V_{BST} = 5\text{V}$, IRCAP = 5V, (200 mA option selected; $T_A = 27^\circ\text{C}$)
IRED Current Temperature Coefficient	TC_{IRED}		—	0.5	—	%/ $^\circ\text{C}$	$V_{BST} = 5\text{V}$, IRCAP = 5V; Note 4

- Note 1:** Wherever a specific V_{BST} value is listed under test conditions, the V_{BST} is forced externally with the inductor disconnected and the DC-DC converter NOT running.
- 2:** Typical values are for design information only.
- 3:** Limits over the specified temperature range are not production tested and are based on characterization data. Unless otherwise stated, production test is at room temperature with guardbanded limits.
- 4:** Not production tested.

DC ELECTRICAL CHARACTERISTICS (CONTINUED)

DC Electrical Characteristics: Unless otherwise indicated, all parameters apply at $T_A = -10$ to $+60^\circ\text{C}$, $V_{DD} = 3\text{V}$, $V_{BST} = 4.2\text{V}$, Typical Application (unless otherwise noted)([Note 1](#), [Note 2](#), [Note 3](#))

Parameter	Symbol	Test Pin	Min	Typ	Max	Units	Conditions
Low Battery Alarm Voltage	V_{LB1}	3	2.05	2.1	2.15	V	Falling Edge; 2.1V nominal selected
	V_{LB2}	3	2.15	2.2	2.25	V	Falling Edge; 2.2V nominal selected
	V_{LB3}	3	2.25	2.3	2.35	V	Falling Edge; 2.3V nominal selected
	V_{LB4}	3	2.35	2.4	2.45	V	Falling Edge; 2.4V nominal selected
	V_{LB5}	3	2.45	2.5	2.55	V	Falling Edge; 2.5V nominal selected
	V_{LB6}	3	2.55	2.6	2.65	V	Falling Edge; 2.6V nominal selected
	V_{LB7}	3	2.65	2.7	2.75	V	Falling Edge; 2.7V nominal selected
	V_{LB8}	3	2.75	2.8	2.85	V	Falling Edge; 2.8V nominal selected
Low Battery Hysteresis	V_{LBHYST}	3	—	100	—	mV	
IRCAP Turn On Voltage	V_{TIR1}	11	3.6	4.0	4.4	V	Falling edge; $V_{BST} = 5\text{V}$; $I_{OUT} = 20\text{ mA}$
IRCAP Turn Off Voltage	V_{TIR2}	11	4.0	4.4	4.8	V	Rising edge; $V_{BST} = 5\text{V}$; $I_{OUT} = 20\text{ mA}$

Note 1: Wherever a specific V_{BST} value is listed under test conditions, the V_{BST} is forced externally with the inductor disconnected and the DC-DC converter NOT running.

2: Typical values are for design information only.

3: Limits over the specified temperature range are not production tested and are based on characterization data. Unless otherwise stated, production test is at room temperature with guardbanded limits.

4: Not production tested.

RE46C190

AC ELECTRICAL CHARACTERISTICS

AC Electrical Characteristics: Unless otherwise indicated, all parameters apply at $T_A = -10^\circ$ to $+60^\circ\text{C}$, $V_{DD} = 3\text{V}$, $V_{BST} = 4.2\text{V}$, Typical Application (unless otherwise noted) (Note 1 to Note 4).								
Parameter	Symbol	Test Pin	Min	Typ	Max	Units	Condition	
Time Base								
Internal Clock Period	T_{PCLK}		9.80	10.4	11.0	ms	PROGSET, IO = high	
RLED Indicator								
On Time	T_{ON1}	8	9.80	10.4	11.0	ms	Operating	
Standby Period	T_{PLED1}	8	320	344	368	s	Standby, no alarm	
Local Alarm Period	T_{PLED2A}	8	470	500	530	ms	Local alarm condition with temporal horn pattern	
	T_{PLED2B}	8	625	667	710	ms	Local alarm condition with continuous horn pattern	
Hush Timer Period	T_{PLED4}	8	10	10.7	11.4	s	Timer mode, no local alarm	
External Alarm Period	T_{PLED0}	8	LED IS NOT ON			s	Remote alarm only	
GLED Indicator								
Latched Alarm Period	T_{PLED3}	9	40	43	46	s	Latched Alarm Condition, LED enabled	
Latched Alarm Pulse Train (3x) Off Time	T_{OFLED}	9	1.25	1.33	1.41	s	Latched Alarm Condition, LED enabled	
Latched Alarm LED Enabled Duration	T_{LALED}	9	22.4	23.9	25.3	Hours	Latched Alarm Condition, LED enabled	
Smoke Check								
Smoke Test Period with Temporal Horn Pattern	T_{PER0A}	2	10	10.7	11.4	s	Standby, no alarm	
	T_{PER1A}	2	1.88	2.0	2.12	s	Standby, after one valid smoke sample	
	T_{PER2A}	2	0.94	1.0	1.06	s	Standby, after two consecutive valid smoke samples	
	T_{PER3A}	2	0.94	1.0	1.06	s	Local Alarm (three consecutive valid smoke samples)	
	T_{PER4A}	2		235	250	265	ms	Push button test, >1 chamber detections
				313	333	353	ms	Push button test, no chamber detections
T_{PER5A}	2	7.5	8.0	8.5	s	In remote alarm		

Note 1: See timing diagram for Horn Pattern ([Figure 5-2](#)).

2: T_{PCLK} and T_{IRON} are 100% production tested. All other AC parameters are verified by functional testing.

3: Typical values are for design information only.

4: Limits over the specified temperature range are not production tested, and are based on characterization data.

AC ELECTRICAL CHARACTERISTICS (CONTINUED)

AC Electrical Characteristics: Unless otherwise indicated, all parameters apply at $T_A = -10^\circ$ to $+60^\circ\text{C}$, $V_{DD} = 3\text{V}$, $V_{BST} = 4.2\text{V}$, Typical Application (unless otherwise noted) ([Note 1](#) to [Note 4](#)).

Parameter	Symbol	Test Pin	Min	Typ	Max	Units	Condition
Smoke Test Period with Continuous Horn Pattern	T_{PER0B}	2	10	10.7	11.4	s	Standby, no alarm
	T_{PER1B}	2	2.5	2.7	2.9	s	Standby, after one valid smoke sample
	T_{PER2B}	2	1.25	1.33	1.41	s	Standby, after two consecutive valid smoke samples
	T_{PER3B}	2	1.25	1.33	1.41	s	Local Alarm (three consecutive valid smoke samples)
	T_{PER4B}	2	313	333	353	ms	Push button test
	T_{PER5B}	2	10	10.7	11.4	s	In remote alarm
Chamber Test Period	T_{PCT1}	2	40	43	46	s	Standby, no alarm
Long Term Drift Sample Period	T_{LTD}	2	400	430	460	s	Standby, no alarm LTD enabled
Low Battery							
Low Battery Sample Period	T_{PLB1}	3	320	344	368	s	RLED on
	T_{PLB2}	3	80	86	92	s	RLED on
Horn Operation							
Low Battery Horn Period	T_{HPER1}	13	40	43	46	s	Low battery, no alarm
Chamber Fail Horn Period	T_{HPER2}	13	40	43	46	s	Chamber failure
Low Battery Horn On Time	T_{HON1}	13	9.8	10.4	11.0	ms	Low battery, no alarm
Chamber Fail Horn On Time	T_{HON2}	13	9.8	10.4	11.0	ms	Chamber failure
Chamber Fail Off Time	T_{HOF1}	13	305	325	345	ms	Failed chamber, no alarm, 3x chirp option
Alarm On Time with Temporal Horn Pattern	T_{HON2A}	13	470	500	530	ms	Local or remote alarm (Note 1)
Alarm Off Time with Temporal Horn Pattern	T_{HOF2A}	13	470	500	530	ms	Local or remote alarm (Note 1)
	T_{HOF3A}	13	1.4	1.5	1.6	s	Local or remote alarm (Note 1)
Alarm On Time with Continuous Horn Pattern	T_{HON2B}	13	235	250	265	ms	Local or remote alarm (Note 1)
Alarm Off Time with Continuous Horn Pattern	T_{HOF2B}	13	78	83	88	ms	Local or remote alarm (Note 1)

Note 1: See timing diagram for Horn Pattern ([Figure 5-2](#)).

2: T_{PCLK} and T_{IRON} are 100% production tested. All other AC parameters are verified by functional testing.

3: Typical values are for design information only.

4: Limits over the specified temperature range are not production tested, and are based on characterization data.

RE46C190

AC ELECTRICAL CHARACTERISTICS (CONTINUED)

AC Electrical Characteristics: Unless otherwise indicated, all parameters apply at $T_A = -10^\circ$ to $+60^\circ\text{C}$, $V_{DD} = 3\text{V}$, $V_{BST} = 4.2\text{V}$, Typical Application (unless otherwise noted) (Note 1 to Note 4).

Parameter	Symbol	Test Pin	Min	Typ	Max	Units	Condition
Push-to-Test Alarm Memory On Time	T_{HON4}	13	9.8	10.4	11.0	ms	Alarm memory active, push-to-test
Push-to-Test Alarm Memory Horn Period	T_{HPER4}	13	235	250	265	ms	Alarm memory active, push-to-test
Interconnect Signal Operation (IO)							
IO Active Delay	T_{IODLY1}	12	—	0	—	s	From start of local alarm to IO active
Remote Alarm Delay with Temporal Horn Pattern	$T_{IODLY2A}$	12	0.780	1.00	1.25	s	No local alarm, from IO active to alarm
Remote Alarm Delay with Continuous Horn Pattern	$T_{IODLY2B}$	12	380	572	785	ms	No local alarm, from IO active to alarm
IO Charge Dump Duration	T_{IODMP}	12	1.23	1.31	1.39	s	At conclusion of local alarm or test
IO Filter	T_{IOFILT}	12	—	—	313	ms	Standby, no alarm
Hush Timer Operation							
Hush Timer Period	T_{TPER}		8.0	8.6	9.1	Min	No alarm
EOL							
End-of-Life Age Sample	T_{EOL}		314	334	354	Hours	EOL Enabled; Standby
Detection							
IRED On Time	T_{IRON}	2	—	100	—	μs	Prog Bits 3,4 = 1,1
		2	—	200	—	μs	Prog Bits 3,4 = 0,1
		2	—	300	—	μs	Prog Bits 3,4 = 1,0
		2	—	400	—	μs	Prog Bits 3,4 = 0,0

- Note 1:** See timing diagram for Horn Pattern (Figure 5-2).
- 2:** T_{PCLK} and T_{IRON} are 100% production tested. All other AC parameters are verified by functional testing.
- 3:** Typical values are for design information only.
- 4:** Limits over the specified temperature range are not production tested, and are based on characterization data.

TEMPERATURE CHARACTERISTICS

Electrical Specifications: All limits specified for $V_{DD} = 3\text{V}$, $V_{BST} = 4.2\text{V}$ and $V_{SS} = 0\text{V}$, Except where noted in the Electrical Characteristics.

Parameters	Sym	Min	Typ	Max	Units	Conditions
Temperature Ranges						
Operating Temperature Range	T_A	-10	—	+60	$^\circ\text{C}$	
Storage Temperature Range	T_{STG}	-55	—	+125	$^\circ\text{C}$	
Thermal Package Resistances						
Thermal Resistance, 16L-SOIC (150 mil.)	θ_{JA}	—	86.1	—	$^\circ\text{C/W}$	

2.0 PIN DESCRIPTIONS

The descriptions of the pins are listed in [Table 2-1](#).

TABLE 2-1: PIN FUNCTION TABLE

RE46C190 SOIC	Symbol	Function
1	V _{SS}	Connect to the negative supply voltage.
2	IRED	Provides a regulated and programmable pulsed current for the infrared emitter diode.
3	V _{DD}	Connect to the positive supply or battery voltage.
4	TEST	This input is used to invoke Test modes and the Timer mode. This input has an internal pull-down.
5	TEST2	Test input for test and programming modes. This input has an internal pull-down.
6	IRP	Connect to the anode of the photo diode.
7	IRN	Connect to the cathode of the photo diode.
8	RLED	Open drain NMOS output, used to drive a visible LED. This pin provides load current for the low battery test, and is a visual indicator for Alarm and Hush modes.
9	GLED	Open drain NMOS output used to drive a visible LED to provide visual indication of an Alarm Memory condition.
10	FEED	Usually connected to the feedback electrode through a current limiting resistor. If not used, this pin must be connected to V _{DD} or V _{SS} .
11	IRCAP	Used to charge and monitor the IRED capacitor.
12	IO	This bidirectional pin provides the capability to interconnect many detectors in a single system. This pin has an internal pull-down device and a charge dump device.
13	HB	This pin is connected to the metal electrode of a piezoelectric transducer.
14	HS	This pin is a complementary output to HB, connected to the ceramic electrode of the piezoelectric transducer.
15	V _{BST}	Boosted voltage produced by DC-DC converter.
16	LX	Open drain NMOS output, used to drive the boost converter inductor. The inductor should be connected from this pin to the positive supply through a low resistance path.

RE46C190

NOTES:

3.0 DEVICE DESCRIPTION

3.1 Standby Internal Timing

The internal oscillator is trimmed to $\pm 6\%$ tolerance. Once every 10 seconds, the boost converter is powered up, the IRcap is charged from V_{BST} and then the detection circuitry is active for 10 ms. Prior to completion of the 10 mS period, the IRED pulse is active for a user-programmable duration of 100-400 μ s. During this IRED pulse, the photo diode current is integrated and then digitized. The result is compared to a limit value stored in EEPROM during calibration to determine the photo chamber status. If a smoke condition is present, the period to the next detection decreases, and additional checks are made.

3.2 Smoke Detection Circuitry

The digitized photo amplifier integrator output is compared to the stored limit value at the conclusion of the IRED pulse period. The IRED drive is all internal, and both the period and current are user programmable. Three consecutive smoke detections will cause the device to go into Alarm and activate the horn and interconnect circuits. In Alarm, the horn is driven at the high boost voltage level, which is regulated based on an internal voltage reference, and therefore results in consistent audibility over battery life. RLED will turn on for 10 ms at a 2 Hz rate. In Local Alarm, the integration limit is internally decreased to provide alarm hysteresis. The integrator has three separate gain settings:

- Normal and Hysteresis
- Reduced Sensitivity (HUSH)
- High Gain for Chamber Test and Push-to-Test

There are four separate sets of integration limits (all user programmable):

- Normal Detection
- Hysteresis
- HUSH
- Chamber Test and Push-to-Test modes

In addition, there are user selectable integrator gain settings to optimize detection levels (see [Table 4-1](#)).

3.3 Supervisory Tests

Once every 86 seconds, the status of the battery voltage is checked by enabling the boost converter for 10 ms and comparing a fraction of the V_{DD} voltage to an internal reference. In each period of 344 seconds, the battery voltage is checked four times. Three checks are unloaded and one check is performed with the RLED enabled, which provides a battery load. The High Boost mode is active only for the loaded low battery test. In addition, once every 43 seconds the chamber is activated and a High Gain mode and chamber test limits are internally selected. A check of the chamber is made by amplifying background reflections. The Low Boost mode is used for the chamber test.

If either the low battery test or the chamber test fails, the horn will pulse on for 10 ms every 43 seconds, and will continue to pulse until the failing condition passes. If two consecutive chamber tests fail, the horn will pulse on three times for 10 ms, separated by 330 ms every 43 seconds. Each of the two supervisory test audible indicators is separated by approximately 20 seconds.

As an option, a Low Battery Silence mode can be invoked. If a low battery condition exists, and the TEST input is driven high, the RLED will turn on. If the TEST input is held for more than 0.5 second, the unit will enter the Push-to-test operation described in [Section 3.4 "Push-to-Test Operation \(PTT\)"](#). After the TEST input is driven low, the unit enters in Low Battery Hush mode, and the 10 ms horn pulse is silenced for 8 hours. The activation of the test button will also initiate the 9 minute Reduced Sensitivity mode described in [Section 3.6 "Reduced Sensitivity Mode"](#). At the end of the 8 hours, the audible indication will resume if the low battery condition still exists.

3.4 Push-to-Test Operation (PTT)

If the TEST input pin is activated (V_{IH}), the smoke detection rate increases to once every 250 ms after one internal clock cycle. In Push-to-Test, the photo amplifier High Gain mode is selected, and background reflections are used to simulate a smoke condition. After the required three consecutive detections, the device will go into a Local Alarm condition. When the TEST input is driven low (V_{IL}), the photo amplifier Normal Gain is selected, after one clock cycle. The detection rate continues at once every 250 ms until three consecutive No Smoke conditions are detected. At this point, the device returns to standby timing. In addition, after the TEST input goes low, the device enters the HUSH mode (see [Section 3.6 "Reduced Sensitivity Mode"](#)).

3.5 Interconnect Operation

The bidirectional IO pin allows the interconnection of multiple detectors. In a Local Alarm condition, this pin is driven high (High Boost) immediately through a constant current source. Shorting this output to ground will not cause excessive current. The IO is ignored as input during a Local Alarm.

The IO pin also has an NMOS discharge device that is active for 1.3 seconds after the conclusion of any type of Local Alarm. This device helps to quickly discharge any capacitance associated with the interconnect line.

If a remote, active high signal is detected, the device goes into Remote Alarm and the horn will be active. RLED will be off, indicating a Remote Alarm condition. Internal protection circuitry allows the signaling unit to have a higher supply voltage than the signaled unit, without excessive current draw.

The interconnect input has a 336 ms nominal digital filter. This allows the interconnection to other types of alarms (carbon monoxide, for example) that may have a pulsed interconnect signal.

3.6 Reduced Sensitivity Mode

A Reduced Sensitivity or Hush mode is initiated by activating the TEST input (V_{IH}). If the TEST input is activated during a Local Alarm, the unit is immediately reset out of the alarm condition, and the horn is silenced. When the TEST input is deactivated (V_{IL}), the device enters into a 9-minute nominal Hush mode. During this period, the HUSH integration limit is selected. The hush gain is user programmable. In Reduced Sensitivity mode, the RLED flashes for 10 ms every 10 seconds to indicate that the mode is active. As an option, the Hush mode will be cancelled if any of the following conditions exist:

- Reduced sensitivity threshold is exceeded (high smoke level)
- An interconnect alarm occurs
- TEST input is activated again

3.7 Local Alarm Memory

An Alarm Memory feature allows easy identification of any unit that had previously been in a Local Alarm condition. If a detector has entered a Local Alarm, when it exits that Local Alarm, the Alarm Memory latch is set. Initially the GLED can be used to visually identify any unit that had previously been in a Local Alarm condition. The GLED flashes three times spaced 1.3 seconds apart. This pattern will repeat every 43 seconds. The duration of the flash is 10 ms. In order to preserve battery power, this visual indication will stop after a period of 24 hours. The user will still be able to identify a unit with an active alarm memory by pressing the Push-to-Test button. When this button is active, the horn will chirp for 10 ms every 250 ms.

If the Alarm Memory condition is set, then any time the Push-to-Test button is pressed and released, the Alarm Memory latch is reset.

The initial 24 hour visual indication is not displayed if a low battery condition exists.

3.8 End of Life Indicator

As an option, after every 14 days of continuous operation, the device will read a stored age count from the EEPROM and increment this count. After 10 years of powered operation, an audible warning will occur indicating that the unit should be replaced. This indicator will be similar to the chamber test failure warning in that the horn will pulse on three times for 10 ms separated by 330 ms every 43 seconds. This indicator will be separated from the low battery indicator by approximately 20 seconds.

3.9 Photo Chamber Long Term Drift Adjustment

As an option, the design includes a Long Term Drift Adjustment for the photo chamber. If this option is selected, during calibration a normal no-smoke baseline integration measurement is made and stored in EEPROM. During normal operation, a new baseline is calculated by making 64 integration measurements over a period of 8 hours. These measurements are averaged and compared to the original baseline stored during calibration to calculate the long term drift. All four limits stored during calibration are adjusted by this drift factor. Drift sampling is suspended during Hush, Local Smoke and Remote Smoke conditions.

4.0 USER PROGRAMMING MODES

TABLE 4-1: PARAMETRIC PROGRAMMING

Parametric Programming		Range		Resolution	
IRED Period		100-400 μ s		100 μ s	
IRED Current Sink		50-200 mA		50 mA	
Low Battery Detection Voltage		2.1 – 2.8V		100 mV	
Photo Detection Limits		Typical Maximum Input Current (nA)			
		100 μ s	200 μ s	300 μ s	400 μ s
Normal/Hysteresis	GF = 1	58	29	19.4	14.5
	GF = 2	29	14.5	9.6	7.2
	GF = 3	14.5	7.2	4.8	3.6
	GF = 4	7.2	3.6	2.4	1.8
Hush	GF = 1	116	58	38.8	29
	GF = 2	58	29	19.4	14.5
	GF = 3	29	14.5	9.6	7.2
	GF = 4	14.5	7.2	4.8	3.6
Chamber Test	GF = 1	29	14.5	9.6	7.2
	GF = 2	14.5	7.2	4.8	3.6
	GF = 3	7.2	3.6	2.4	1.8
	GF = 4	3.6	1.8	1.2	0.9
<p>Note 1: GF is the user selectable Photo Integration Gain Factor. Once selected, it applies to all modes of operation. For example, if GF = 1 and integration time is selected to be 100 μs, the ranges will be as follows: Normal/Hysteresis = 58 nA, Hush = 116 nA, Chamber Test = 29 nA.</p> <p>2: Nominal measurement resolution in each case will be 1/31 of the maximum input range.</p> <p>3: The same current resolution and ranges applies to the limits.</p>					

TABLE 4-2: FEATURES PROGRAMMING

Features	Options
Tone Select	Continuous or NFPA Tone
10 Year End-of-life Indicator	Enable/Disable
Photo Chamber Long Term Drift Adjustment	Enable/Disable
Low Battery Hush	Enable/Disable
Hush Options	Option 1: Hush mode is not cancelled for any reason. If the test button is pushed during Hush, the unit reverts to Normal Sensitivity to test the unit, but when it comes out of test, resumes in Hush where it left off.
	Option 2: The Hush mode is cancelled if the Reduced Sensitivity threshold is exceeded (high smoke level), and if an external (interconnect alarm) is signaled. If the test button is pushed during Hush, after the test is executed, the Hush mode is terminated.

RE46C190

4.1 Calibration and Programming Procedures

Eleven separate programming and test modes are available for user customization. To enter these modes, after power-up, TEST2 must be driven to V_{DD} and held at that level. The TEST input is then clocked to step through the modes. FEED and IO are reconfigured to become test mode inputs, while RLED, GLED and HB become test mode outputs. The test mode functions for each pin are outlined in Table 4-3.

When TEST2 is held at V_{DD} , TEST becomes a tri-state input with nominal input levels at V_{SS} , V_{DD} and V_{BST} . A TEST clock occurs whenever the TEST input switches from V_{SS} to V_{BST} . The TEST Data column represents the state of TEST when used as a data input, which would be either V_{SS} or V_{DD} . The TEST pin can therefore be used as both a clock, to change modes, and a data input, once a mode is set. Other pin functions are described in Section 4.2 “User Selections”.

TABLE 4-3: TEST MODE FUNCTIONS

Mode	Description	TEST Clock	TEST Data	TEST2	FEED	IO	RLED	GLED	HB
	V_{IH}	V_{BST}	V_{DD}	V_{DD}	V_{BST}	V_{DD}	—	—	—
	V_{IL}	V_{SS}	V_{SS}	V_{SS}	V_{SS}	V_{SS}	—	—	—
T0	Photo Gain Factor (2 bits)	0	ProgData	V_{DD}	ProgCLK	ProgEn 14 bits	RLED	GLED	HB
	Integ Time (2 bits)	0	ProgData	V_{DD}	ProgCLK	ProgEn 14 bits	RLED	GLED	HB
	IREC Current (2 bits)	0	ProgData	V_{DD}	ProgCLK	ProgEn 14 bits	RLED	GLED	HB
	Low Battery Trip (3 bits)	0	ProgData	V_{DD}	ProgCLK	ProgEn 14 bits	RLED	GLED	HB
	LTD Enable (1 bit)	0	ProgData	V_{DD}	ProgCLK	ProgEn 14 bits	RLED	GLED	HB
	Hush Option (1 bit)	0	ProgData	V_{DD}	ProgCLK	ProgEn 14 bits	RLED	GLED	HB
	LB Hush Enable (1 bit)	0	ProgData	V_{DD}	ProgCLK	ProgEn 14 bits	RLED	GLED	HB
	EOL Enable (1 bit)	0	ProgData	V_{DD}	ProgCLK	ProgEn 14 bits	RLED	GLED	HB
	Tone Select (1 bit)	0	ProgData	V_{DD}	ProgCLK	ProgEn 14 bits	RLED	GLED	HB
T1	Norm Lim Set (5 bits) ⁽⁴⁾	1	not used	V_{DD}	CalCLK	LatchLim ⁽³⁾	Gamp	IntegOut	SmkComp ⁽¹⁾
T2	Hyst Lim Set (5 bits) ⁽⁴⁾	2	not used	V_{DD}	CalCLK	LatchLim ⁽³⁾	Gamp	IntegOut	SmkComp ⁽¹⁾
T3	Hush Lim Set (5 bits) ⁽⁴⁾	3	not used	V_{DD}	CalCLK	LatchLim ⁽³⁾	Gamp	IntegOut	SmkComp ⁽¹⁾
T4	Ch Test Lim Set (5 bits) ⁽⁴⁾	4	not used	V_{DD}	CalCLK	LatchLim ⁽³⁾	Gamp	IntegOut	SmkComp ⁽¹⁾
T5	LTD Baseline (5 bits)	5	not used	V_{DD}	MeasEn	ProgEn 25 bits	Gamp	IntegOut	SmkComp ⁽¹⁾
T6	Serial Read/Write	6	ProgData	V_{DD}	ProgCLK	ProgEn	RLED	GLED	Serial Out
T7	Norm Lim Check	7	not used	V_{DD}	MeasEn	not used	Gamp	IntegOut	SCMP ⁽²⁾
T8	Hyst Lim Check	8	not used	V_{DD}	MeasEn	not used	Gamp	IntegOut	SCMP ⁽²⁾
T9	Hush Lim Check	9	not used	V_{DD}	MeasEn	not used	Gamp	IntegOut	SCMP ⁽²⁾
T10	Ch Test Lim Check	10	not used	V_{DD}	MeasEn	not used	Gamp	IntegOut	SCMP ⁽²⁾
T11	Horn Test	11	not used	V_{DD}	FEED	HornEn	RLED	GLED	HB

- Note 1:** SmkComp (HB) – digital comparator output (high if $Gamp < IntegOut$; low if $Gamp > IntegOut$)
- Note 2:** SCMP (HB) – digital output representing comparison of measurement value and associated limit. Signal is valid only after MeasEn has been asserted and measurement has been made. (SCMP high if measured value $>$ limit; low if measured value $<$ limit).
- Note 3:** LatchLim (IO) – digital input used to latch present state of limits (Gamp level) for later storage. T1-T4 limits are latched, but not stored until ProgEn is asserted in T5 mode.
- Note 4:** Operating the circuit in this manner with nearly continuous IRED current for an extended period of time may result in undesired or excessive heating of the part. The duration of this step should be minimized.

4.2 User Selections

Prior to smoke calibration, the user must program the functional options and parametric selections. This requires that 14 bits, representing selected values, be clocked in serially using TEST as a data input and FEED as a clock input, and then be stored in the internal EEPROM.

The detailed steps are as follows:

1. Power up with bias conditions as shown in [Figure 4-1](#). At power-up
TEST = TEST2 = FEED = IO = V_{SS}.

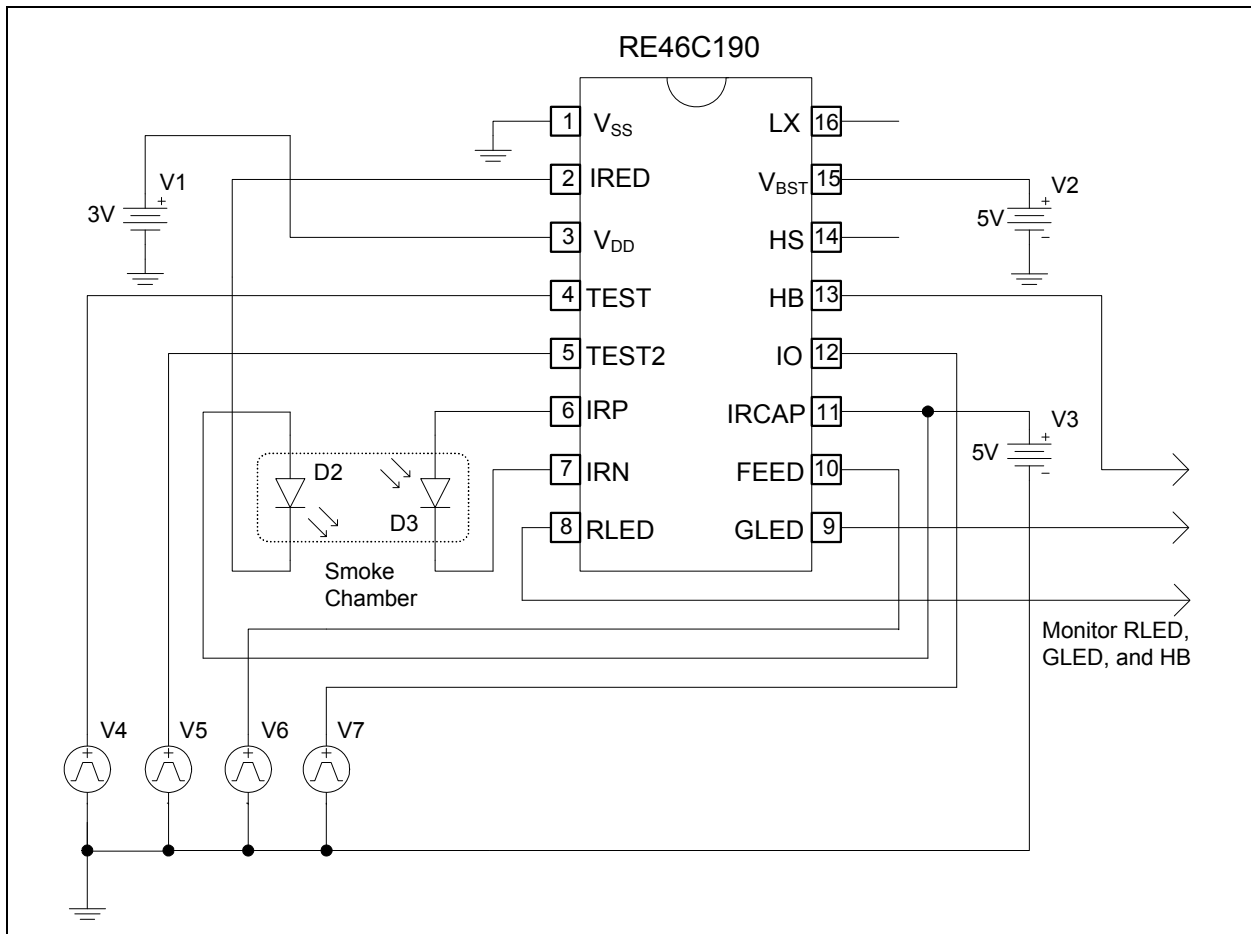


FIGURE 4-1: Nominal Application Circuit for Programming.

REGISTER 4-1: CONFIGURATION AND CALIBRATION SETTINGS REGISTER (CONTINUED)

bit 33-31	LB<0:2> : Low Battery Trip Point bits 000 = 2.1V 001 = 2.5V 010 = 2.3V 011 = 2.7V 100 = 2.2V 101 = 2.6V 110 = 2.4V 111 = 2.8V
bit 30-29	IRC<1:0> : IRED Current bits 00 = 50 mA 01 = 100 mA 10 = 150 mA 11 = 200 mA
bit 28-27	IT<1:0> : Integration Time bits 00 = 400 μ s 01 = 300 μ s 10 = 200 μ s 11 = 100 μ s
bit 26-25	PAGF<1:0> : Photo Amplifier Gain Factor bits 00 = 1 01 = 2 10 = 3 11 = 4
bit 24-20	NL<4:0> : Normal Limits bits (Section 3.2) 00000 = 0 00001 = 1 • • • 11110 = 30 11111 = 31
bit 19-15	HYL<4:0> : Hysteresis Limits bits (Section 3.2) 00000 = 0 00001 = 1 • • • 11110 = 30 11111 = 31
bit 14-10	HUL<4:0> : Hush Limits bits (Section 3.6) 00000 = 0 00001 = 1 • • • 11110 = 30 11111 = 31

RE46C190

REGISTER 4-1: CONFIGURATION AND CALIBRATION SETTINGS REGISTER (CONTINUED)

bit 9-5 **CTL<4:0>**: Chamber Test Limits bits ([Section 3.3](#))

00000 = 0
 00001 = 1
 •
 •
 •
 11110 = 30
 11111 = 31

bit 4-0 **LTD<4:0>**: Long Term Drift Sample bits ([Section 3.9](#))

00000 = 0
 00001 = 1
 •
 •
 •
 11110 = 30
 11111 = 31

The minimum pulse width for FEED is 10 μ s, while the minimum pulse width for TEST is 100 μ s. For example, for the following options, the sequence would be:

data - 0 0 0 1 1 0 0 0 1 0 0 0 0 1
 bit - 25 26 27 28 29 30 31 32 33 34 35 36 37 38

Photo Amp Gain Factor = 1

Integration Time = 200 μ s

IREC Current = 100 mA

Low Battery Trip = 2.2V

Long Term Drift, Low Battery Hush and EOL are all disabled

Hush Option = Never Cancel

Tone Select = Temporal

- After shifting in data, pull IO input to V_{DD} , then V_{SS} (minimum pulse width of 10 ms) to store shift register contents into the memory.
- If any changes are required, power down the part and return to [Step 1](#). All bit values must be reentered.

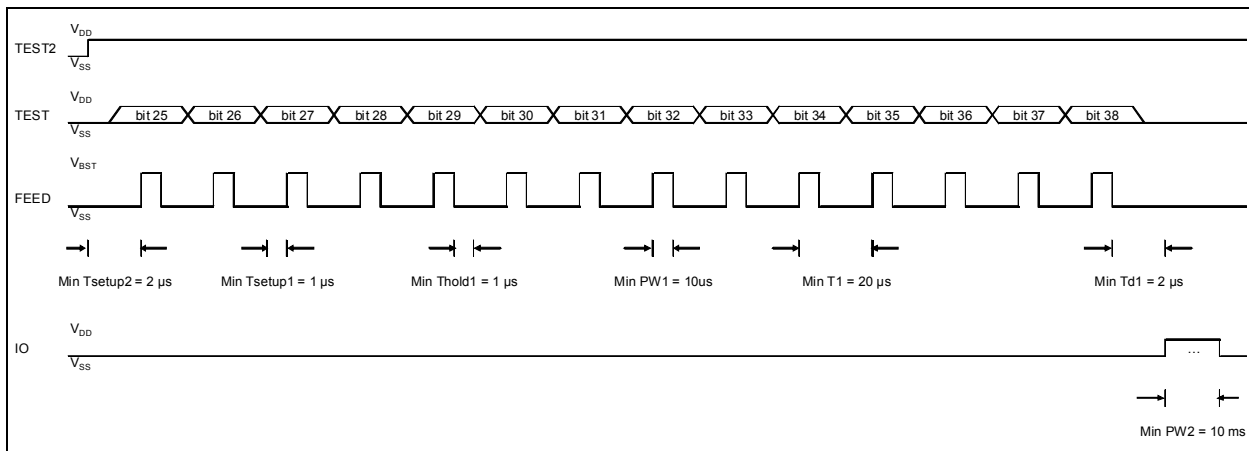


FIGURE 4-2: Timing Diagram for Mode T0.

4.3 Smoke Calibration

A separate calibration mode is entered for each measurement mode (Normal, Hysteresis, Hush and Chamber Test) so that independent limits can be set for each. In all calibration modes, the integrator output can be accessed at the GLED output.

The Gamp output voltage, which represents the smoke detection level, can be accessed at the RLED output. The SmkComp output voltage is the result of the comparison of Gamp with the integrator output, and can be accessed at HB. The FEED input can be clocked to step up the smoke detection level at RLED. Once the desired smoke threshold is reached, the TEST input is pulsed low to high to store the result.

The procedure is described in the following steps:

1. Power up with the bias conditions shown in [Figure 4-1](#).
2. Drive TEST2 input from V_{SS} to V_{DD} to enter the Programming mode. TEST2 should remain at V_{DD} through [Step 8](#) described below.
3. Apply a clock pulse to the TEST input to enter in T1 mode. This initiates the calibration mode for Normal Limits setting. The Integrator output saw tooth should appear at GLED and the smoke detection level at RLED. Clock FEED to increase the smoke detection level as needed. Once the desired smoke threshold is reached, the IO input is pulsed low to high to enter the result. See typical waveforms in [Figure 4-4](#). Operating the circuit in this manner, with nearly continuous IRED current for an extended period of time, may result in undesired or excessive heating of the part. The duration of this step should be minimized.
4. Apply a second clock pulse to the TEST input to enter in T2 mode. This initiates the calibration mode for Hysteresis Limits. Clock FEED as in [Step 3](#) and apply pulse to IO, once desired level is reached. Operating the circuit in this manner, with nearly continuous IRED current for an extended period of time, may result in undesired or excessive heating of the part. The duration of this step should be minimized.
5. Apply a clock pulse to the TEST input again to enter in T3 mode and initiate calibration for Hush Limits. Clock FEED as in the steps above and apply a pulse to IO, once the desired level is reached. Operating the circuit in this manner, with nearly continuous IRED current for an extended period of time, may result in undesired or excessive heating of the part. The duration of this step should be minimized.
6. Apply a clock pulse to the TEST input a fourth time to enter in T4 mode, and initiate the calibration for Chamber Test Limits. Clock FEED and apply pulse to IO, once desired level is reached. Operating the circuit in this manner, with nearly continuous IRED current for an extended period of time, may result in undesired or excessive heating of the part. The duration of this step should be minimized.
7. If the Long Term Drift Adjustment is enabled, after all limits have been set, the long term drift (LTD) baseline measurement must be made. To do this, a measurement must be made under no-smoke conditions. To enable the baseline measurement, pull TEST from V_{SS} to V_{BST} again and return to V_{SS} . Once the chamber is clear, pulse FEED low to high to make the baseline measurement.
8. After limits have been set and baseline LTD measurement has been made, pulse IO to store all results in memory. Before this step, no limits are stored in memory.

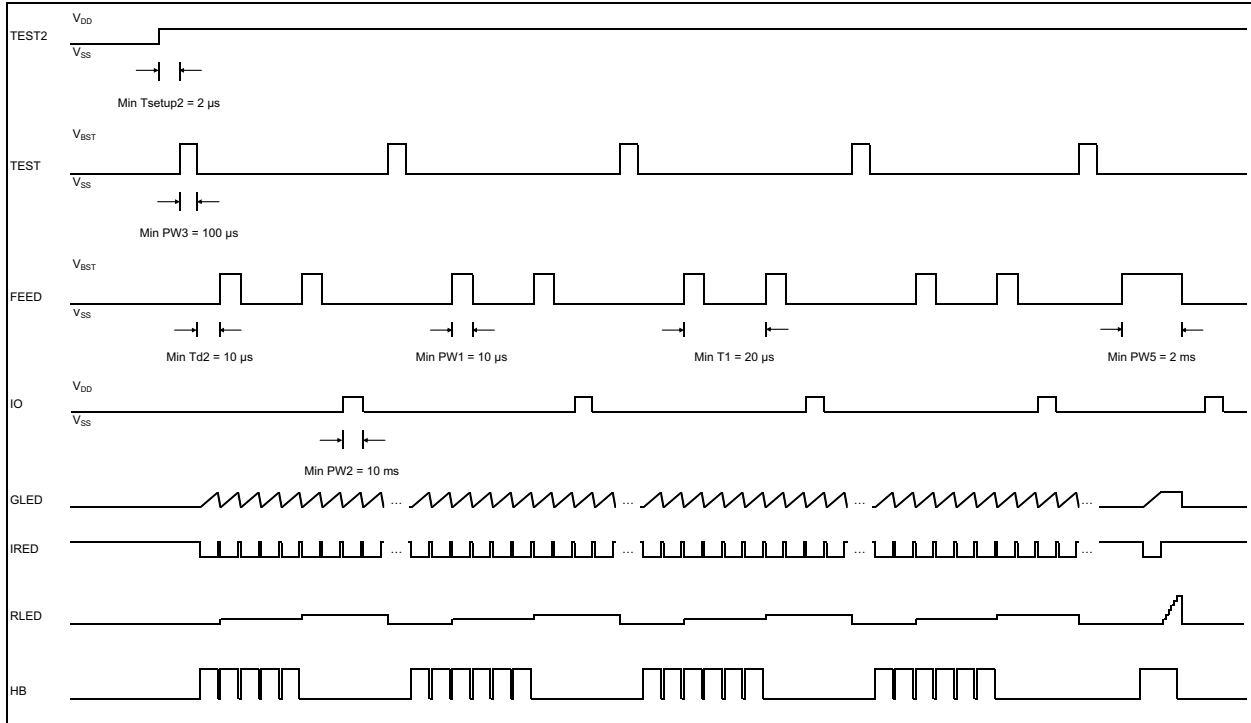


FIGURE 4-4: Timing Diagram for Modes T1 to T5.

RE46C190

4.4 Serial Read/Write

As an alternative to the steps in [Section 4.3 “Smoke Calibration”](#), if the system has been well characterized, the limits and baseline can be entered directly from a serial read/write calibration mode.

To enter this mode, follow these steps:

1. Set up the application as shown in [Figure 4-1](#).
2. Drive TEST2 input from V_{SS} to V_{DD} to enter in Programming mode. TEST2 should remain at V_{DD} until all data has been entered.
3. Clock the TEST input to mode T6 (High = V_{BST} , Low = V_{SS} , 6 clocks). This enables the serial read/write mode.
4. TEST now acts as a data input (High = V_{DD} , Low = V_{SS}). FEED acts as the clock input (High = V_{BST} , Low = V_{SS}). Clock in the limits, LTD baseline, functional and parametric options. The data sequence should be as follows:

- 5 bit LTD sample (LSB first)
- 5 bit Chamber Test Limits (LSB first)
- 5 bit Hush Limits (LSB first)
- 5 bit Hysteresis Limits (LSB first),

5 bit Normal Limits (LSB first)

Then, the data sequence follows the pattern described in [Register 4-1](#):

- 2 bit Photo Amp Gain Factor
- 2 bit Integration Time
- 2 bit IRED current
- 3 bit Low Battery Trip Point
- 1 bit Long Term Drift Enable
- 1 bit Hush Option
- 1 bit Low Battery Hush Enable
- 1 bit EOL enable
- 1 bit Tone Select

A serial data output is available at HB.

5. After all 39 bits have been entered, pulse IO to store into the EEPROM memory.

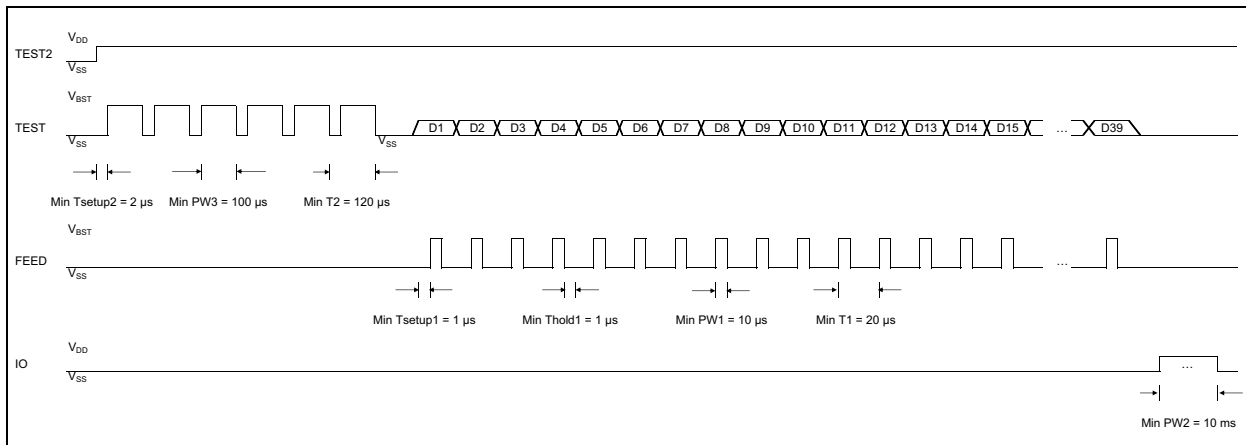


FIGURE 4-5: Timing Diagram for Mode T6.

4.5 Limits Verification

After all limits and LTD baseline have been entered and stored into the memory, additional test modes are available to verify if the limits are functioning as expected. [Table 4-4](#) describes several verification tests.

TABLE 4-4: LIMITS VERIFICATION DESCRIPTION

Limit	Test Description
Normal Limits	Clock TEST to Mode T7 (7 clocks). With appropriate smoke level in chamber, pull FEED to V_{DD} and hold for at least 1 ms. The HB output will indicate the detection status (High = smoke detected).
Hysteresis Limits	Clock TEST to Mode T8 (8 clocks). Pulse FEED and monitor HB as in Normal Limits case.
Hush Limits	Clock TEST to Mode T9 (9 clocks). Pulse FEED and monitor HB.
Chamber Test Limits	Clock TEST to Mode T10 (10 clocks). Pulse FEED and monitor HB.

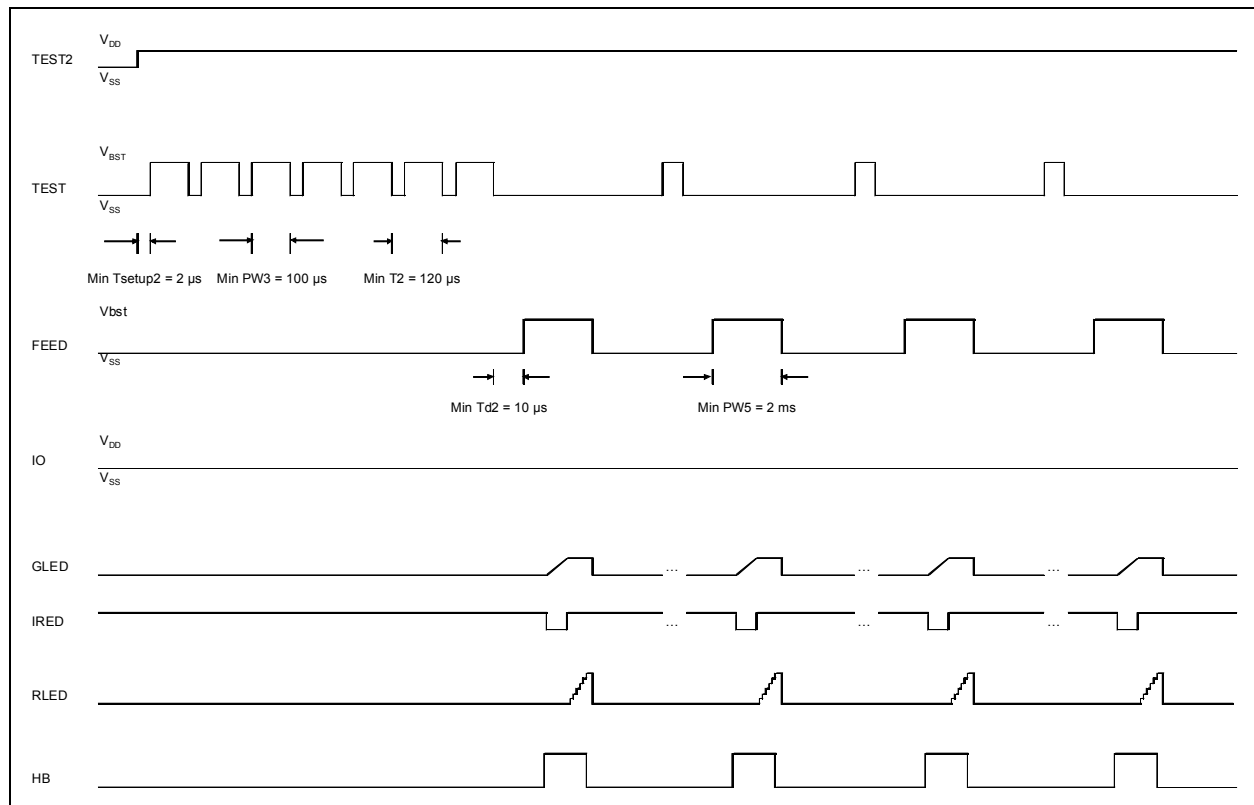


FIGURE 4-6: Timing Diagram for Modes T7-T10.

RE46C190

4.6 Horn Test

The last test mode allows the horn to be enabled indefinitely for audibility testing. To enter this mode, clock TEST to Mode T11 (11 clocks). The IO pin is configured as horn enable.

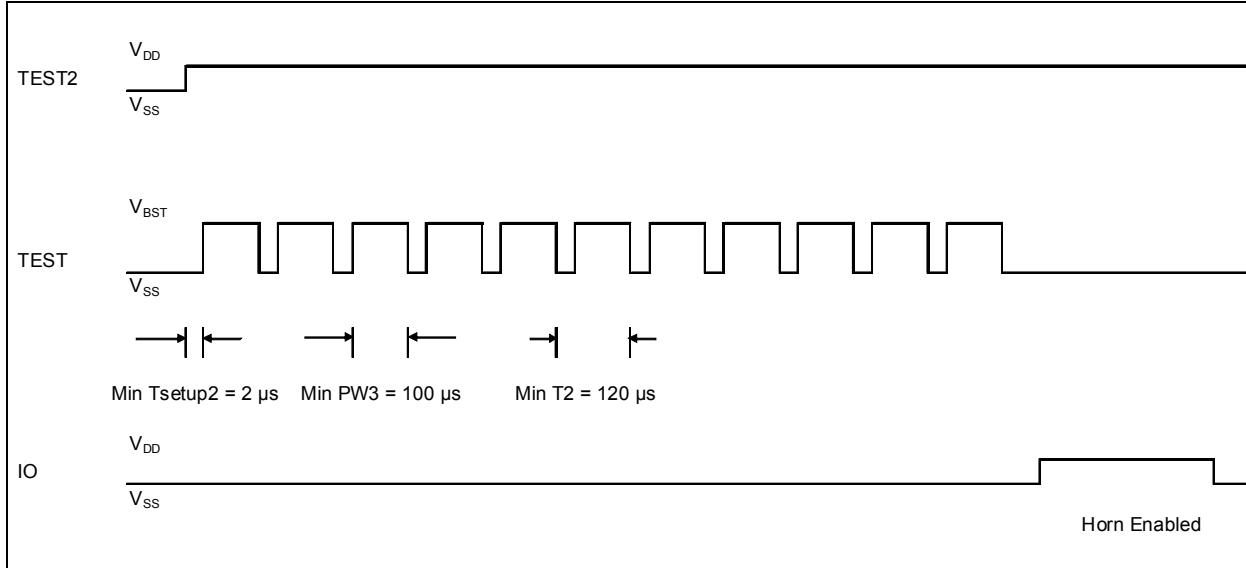


FIGURE 4-7: Timing Diagram for Mode T11.

5.0 APPLICATION NOTES

5.1 Standby Current Calculation and Battery Life

The supply current shown in the [DC Electrical Characteristics](#) table is only one component of the average standby current and, in most cases, can be a small fraction of the total, because power consumption generally occurs in relatively infrequent bursts and depends on many external factors. These include the values selected for IRED current and integration time, the V_{BST} and IR capacitor sizes and leakages, the V_{BAT} level, and the magnitude of any external resistances that will adversely affect the boost converter efficiency.

A calculation of the standby current for the battery life is shown in [Table 5-1](#), based on the following parameters:

V_{BAT}	=	3
V_{BST1}	=	3.6
V_{BST2}	=	9
Boost capacitor size	=	4.70E-06
Boost Efficiency	=	8.50E-01
IRED on time	=	2.000E-04
IRED Current	=	1.000E-01

TABLE 5-1: STANDBY CURRENT CALCULATION

I_{DD} Component	Voltage (V)	Current (A)	Duration (s)	Energy (J)	Period (s)	Average Power (W)	I_{BAT} Contribution (A)	I_{BAT} (μ A)
Fixed I_{DD}	3	1.00E-06	—	—	—	3.00E-06	1.00E-06	1.0
Photo Detection Current								
Chamber test (excluding IR drive)	3.6	1.00E-03	1.00E-02	3.60E-05	43	9.85E-07	3.28E-07	0.3
IR drive during Chamber Test	3.6	0.10	2.00E-04	7.20E-05	43	1.97E-06	6.57E-07	0.7
Smoke Detection (excluding IR drive)	3.6	1.00E-03	1.00E-02	3.60E-05	10.75	3.94E-06	1.31E-06	1.3
IR drive during Smoke Detection	3.6	0.10	2.00E-04	7.20E-05	10.75	7.88E-06	2.63E-06	2.6
Low Battery Check Current								
Loaded Test								
Load	9	2.00E-02	1.00E-02	1.80E-03	344	6.16E-06	2.05E-06	2.1
Boost	V_{BST1} to V_{BST2}	—	—	6.85E-05	344	2.34E-07	7.81E-08	0.1
Unloaded Test								
Load	3.6	1.00E-04	1.00E-02	3.60E-06	43	9.85E-08	3.28E-08	0.0
Total							8.09E-06	8.1

The following paragraphs explain the components in [Table 5-1](#), and the calculations in the example.

5.1.1 FIXED I_{DD}

The I_{DD} is the Supply Current shown in the [DC Electrical Characteristics](#) table.

5.1.2 PHOTO DETECTION CURRENT

Photo Detection Current is the current draw due to the smoke testing every 10.75 seconds, and the chamber test every 43 seconds. The current for both the IR diode and the internal measurement circuitry comes primarily from V_{BST} , so the average current must be scaled for both on-time and boost voltage.

The contribution to I_{BAT} is determined by first calculating the energy consumed by each component, given its duration. An average power is then calculated based on the period of the event and the boost converter efficiency (assumed to be 85% in this case). An I_{BAT} contribution is then calculated based on this average power and the given V_{BAT} . For example, the IR drive contribution during chamber test is detailed in [Equation 5-1](#):

EQUATION 5-1:

$$\frac{3.6V \times 0.1A \times 200\mu s}{43s \times 0.85 \times 3V} = 0.657\mu A$$

RE46C190

5.1.3 LOW BATTERY CHECK CURRENT

The Low Battery Check Current is the current required for the low battery test. It includes both the loaded (RLED on) and unloaded (RLED Off) tests. The boost component of the loaded test represents the cost of charging the boost capacitor to the higher voltage level. This has a fixed cost for every loaded check, because the capacitor is gradually discharged during subsequent operations, and the energy is generally not recovered. The other calculations are similar to those shown in [Equation 5-1](#). The unloaded test has a minimal contribution because it involves only some internal reference and comparator circuitry.

5.1.4 BATTERY LIFE

When estimating the battery life, several additional factors must be considered. These include battery resistance, battery self discharge rate, capacitor leakages and the effect of the operating temperature on all of these characteristics. Some number of false alarms and user tests should also be included in any calculation.

For ten year applications, a 3V spiral wound lithium manganese dioxide battery with a laser seal is recommended. These can be found with capacities of 1400 to 1600 mAh.

5.1.5 FUNCTIONAL TIMING DIAGRAMS

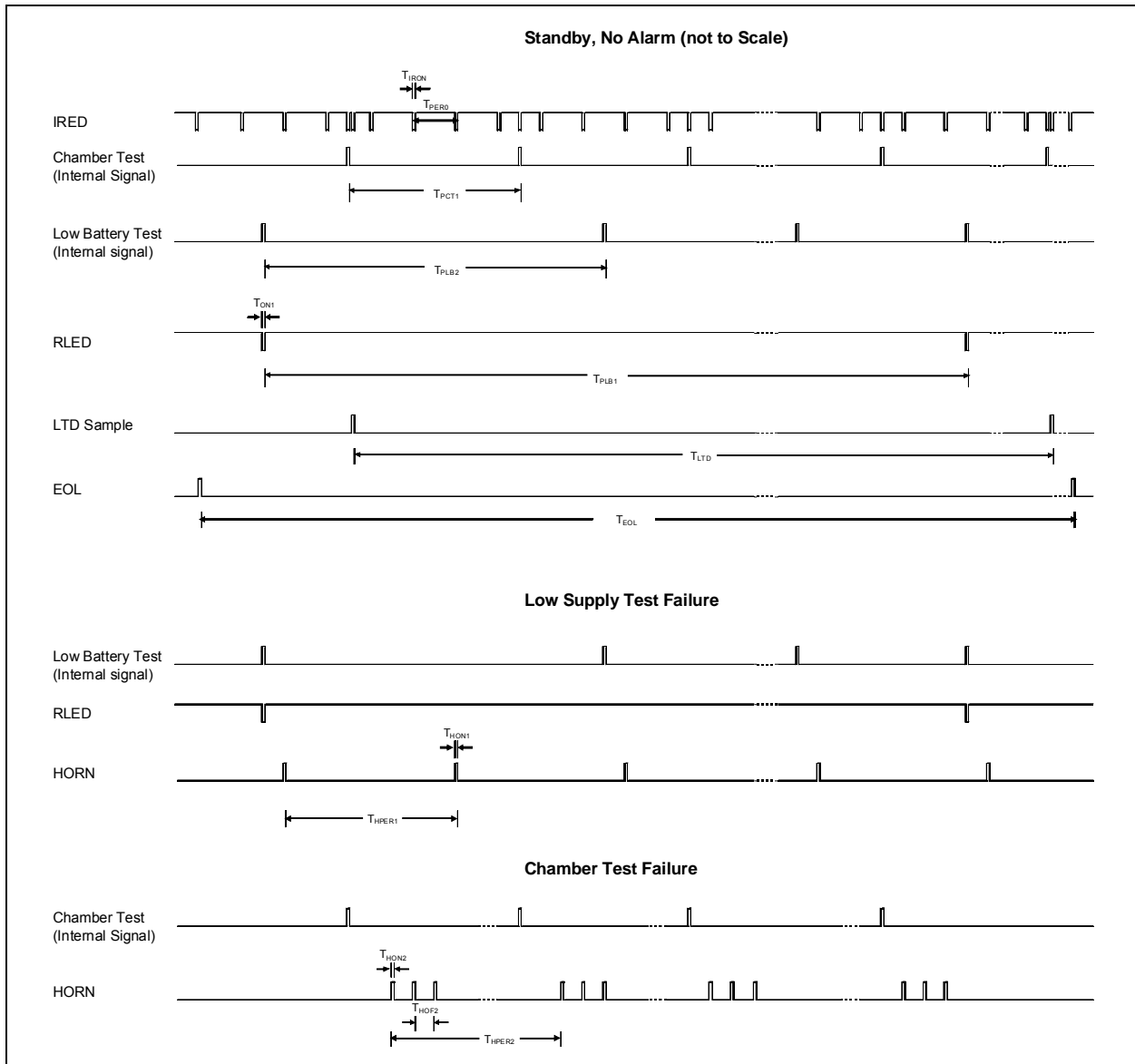


FIGURE 5-1: RE46C190 Timing Diagram – Standby, No Alarm, Low Supply Test Failure and Chamber Test Failure.

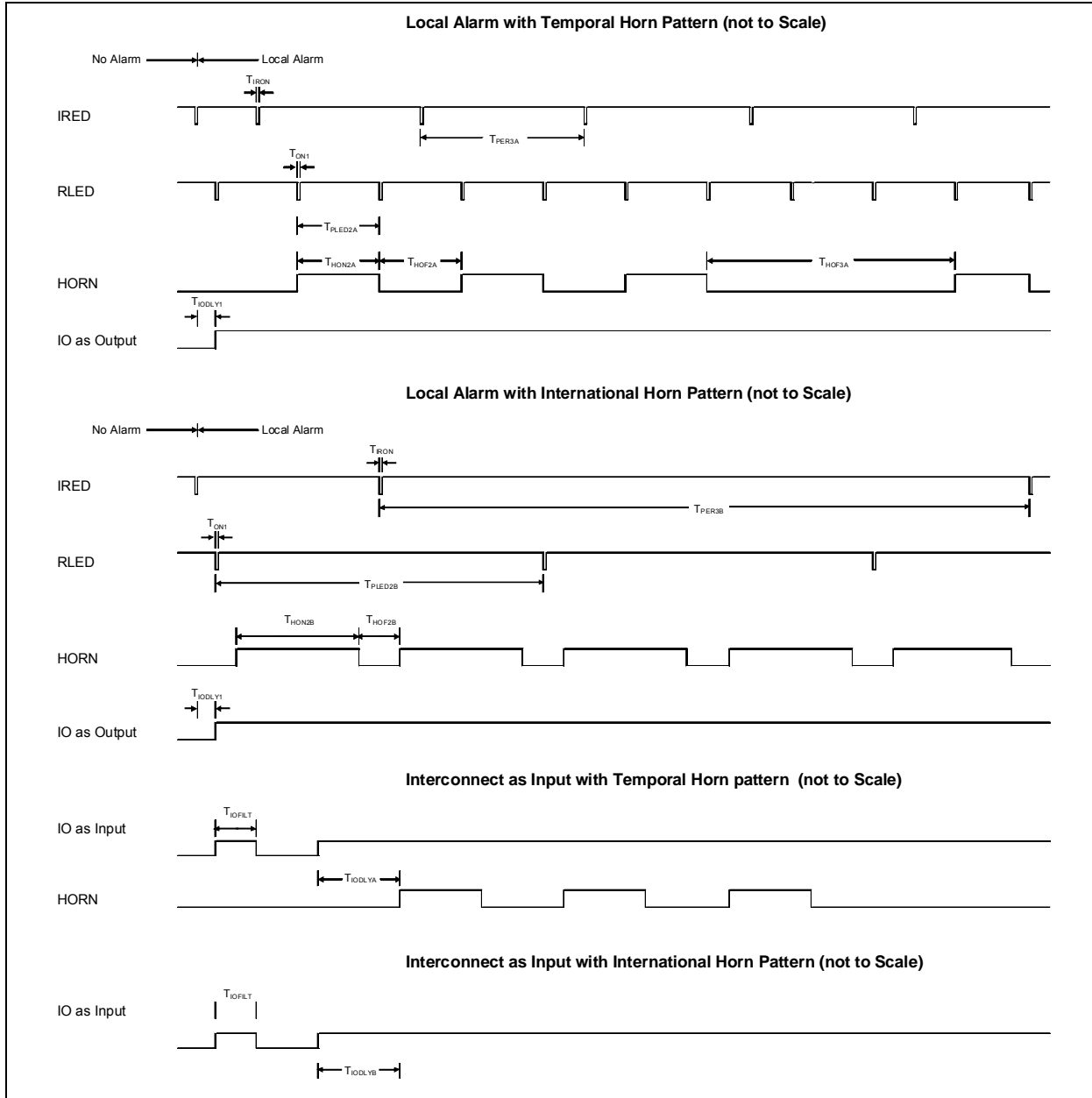


FIGURE 5-2: RE46C190 Timing Diagram – Local Alarm with Temporal Horn Pattern, Local Alarm with International Horn Pattern, Interconnect as Input with Temporal Horn Pattern and Interconnect as Input with International Horn Pattern.

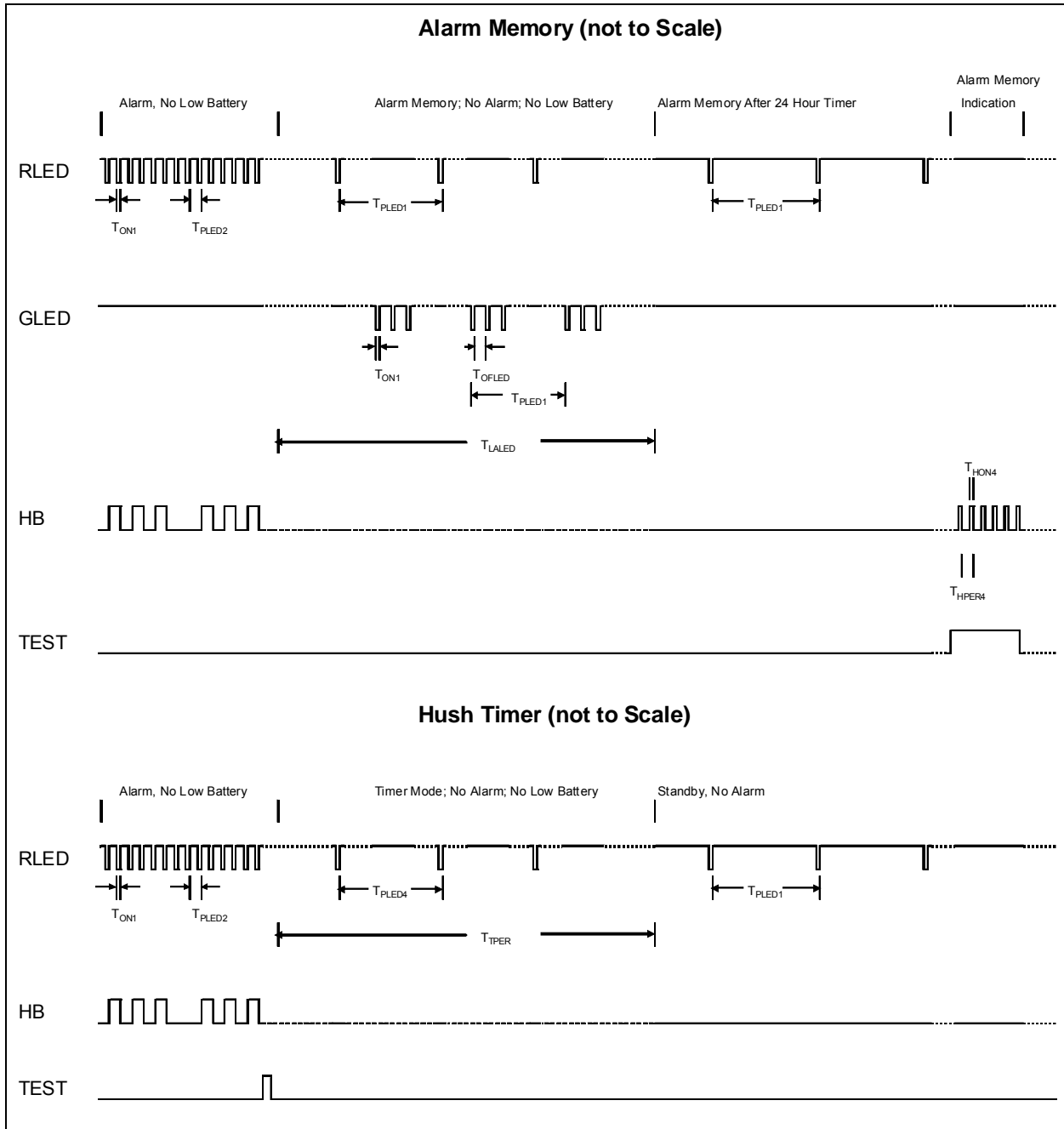


FIGURE 5-3: RE46C190 Timing Diagram – Alarm Memory and Hush Timer.

RE46C190

NOTES:

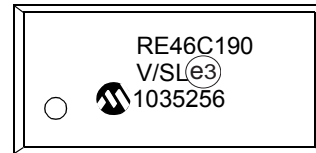
6.0 PACKAGING INFORMATION

6.1 Package Marking Information

16-Lead SOIC (.150")



Example

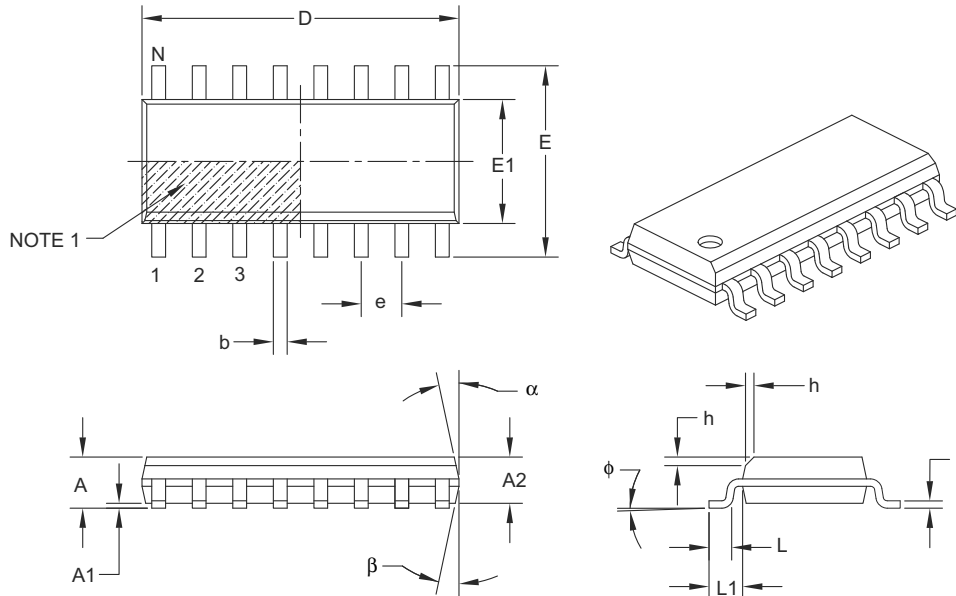


Legend:	XX...X	Customer-specific information
	Y	Year code (last digit of calendar year)
	YY	Year code (last 2 digits of calendar year)
	WW	Week code (week of January 1 is week '01')
	NNN	Alphanumeric traceability code
	(e3)	Pb-free JEDEC designator for Matte Tin (Sn)
	*	This package is Pb-free. The Pb-free JEDEC designator (e3) can be found on the outer packaging for this package.
Note:	In the event the full Microchip part number cannot be marked on one line, it will be carried over to the next line, thus limiting the number of available characters for customer-specific information.	

RE46C190

16-Lead Plastic Small Outline (SL) – Narrow, 3.90 mm Body [SOIC]

Note: For the most current package drawings, please see the Microchip Packaging Specification located at <http://www.microchip.com/packageing>



Dimension Limits	Units	MILLIMETERS		
		MIN	NOM	MAX
Number of Pins	N	16		
Pitch	e	1.27 BSC		
Overall Height	A	–	–	1.75
Molded Package Thickness	A2	1.25	–	–
Standoff §	A1	0.10	–	0.25
Overall Width	E	6.00 BSC		
Molded Package Width	E1	3.90 BSC		
Overall Length	D	9.90 BSC		
Chamfer (optional)	h	0.25	–	0.50
Foot Length	L	0.40	–	1.27
Footprint	L1	1.04 REF		
Foot Angle	ϕ	0°	–	8°
Lead Thickness	c	0.17	–	0.25
Lead Width	b	0.31	–	0.51
Mold Draft Angle Top	α	5°	–	15°
Mold Draft Angle Bottom	β	5°	–	15°

Notes:

- Pin 1 visual index feature may vary, but must be located within the hatched area.
- § Significant Characteristic.
- Dimensions D and E1 do not include mold flash or protrusions. Mold flash or protrusions shall not exceed 0.15 mm per side.
- Dimensioning and tolerancing per ASME Y14.5M.

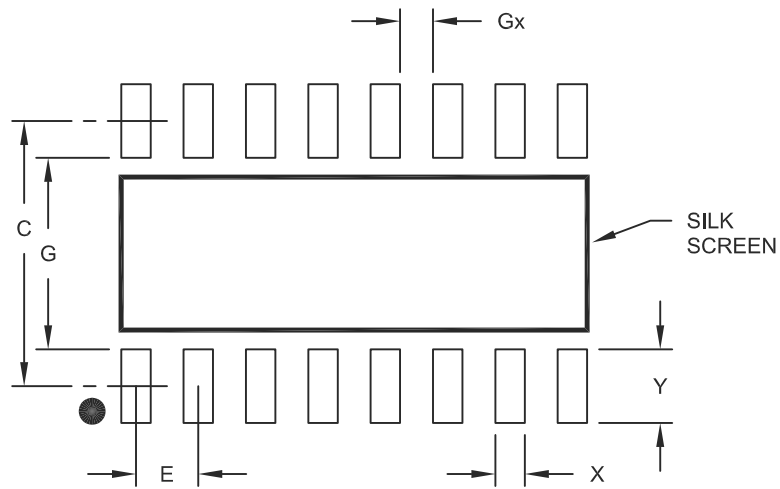
BSC: Basic Dimension. Theoretically exact value shown without tolerances.

REF: Reference Dimension, usually without tolerance, for information purposes only.

Microchip Technology Drawing C04-108B

16-Lead Plastic Small Outline (SL) - Narrow, 3.90 mm Body [SOIC]

Note: For the most current package drawings, please see the Microchip Packaging Specification located at <http://www.microchip.com/packaging>



RECOMMENDED LAND PATTERN

Units		MILLIMETERS		
Dimension Limits		MIN	NOM	MAX
Contact Pitch	E	1.27 BSC		
Contact Pad Spacing	C		5.40	
Contact Pad Width	X			0.60
Contact Pad Length	Y			1.50
Distance Between Pads	Gx	0.67		
Distance Between Pads	G	3.90		

Notes:

1. Dimensioning and tolerancing per ASME Y14.5M

BSC: Basic Dimension. Theoretically exact value shown without tolerances.

Microchip Technology Drawing No. C04-2108A

RE46C190

NOTES:

APPENDIX A: REVISION HISTORY

Revision A (December 2010)

- Original Release of this Document.

RE46C190

NOTES:

PRODUCT IDENTIFICATION SYSTEM

To order or obtain information, e.g., on pricing or delivery, refer to the factory or the listed sales office.

<u>PART NO.</u>	X	XX	I	X
Device	Package	Number of Pins	Tape and Reel	Lead Free
Device		RE46C190:	CMOS Photoelectric Smoke Detector ASIC	
		RE46C190T:	CMOS Photoelectric Smoke Detector ASIC (Tape and Reel)	
Package	S	=	Small Plastic Outline - Narrow, 3.90 mm Body, 16-Lead (SOIC)	

Examples:

a) RE46C190S16F: 16LD SOIC Package, Lead Free

b) RE46C190S16TF: 16LD SOIC Package, Tape and Reel, Lead Free

RE46C190

NOTES:

Note the following details of the code protection feature on Microchip devices:

- Microchip products meet the specification contained in their particular Microchip Data Sheet.
- Microchip believes that its family of products is one of the most secure families of its kind on the market today, when used in the intended manner and under normal conditions.
- There are dishonest and possibly illegal methods used to breach the code protection feature. All of these methods, to our knowledge, require using the Microchip products in a manner outside the operating specifications contained in Microchip's Data Sheets. Most likely, the person doing so is engaged in theft of intellectual property.
- Microchip is willing to work with the customer who is concerned about the integrity of their code.
- Neither Microchip nor any other semiconductor manufacturer can guarantee the security of their code. Code protection does not mean that we are guaranteeing the product as “unbreakable.”

Code protection is constantly evolving. We at Microchip are committed to continuously improving the code protection features of our products. Attempts to break Microchip's code protection feature may be a violation of the Digital Millennium Copyright Act. If such acts allow unauthorized access to your software or other copyrighted work, you may have a right to sue for relief under that Act.

Information contained in this publication regarding device applications and the like is provided only for your convenience and may be superseded by updates. It is your responsibility to ensure that your application meets with your specifications. MICROCHIP MAKES NO REPRESENTATIONS OR WARRANTIES OF ANY KIND WHETHER EXPRESS OR IMPLIED, WRITTEN OR ORAL, STATUTORY OR OTHERWISE, RELATED TO THE INFORMATION, INCLUDING BUT NOT LIMITED TO ITS CONDITION, QUALITY, PERFORMANCE, MERCHANTABILITY OR FITNESS FOR PURPOSE. Microchip disclaims all liability arising from this information and its use. Use of Microchip devices in life support and/or safety applications is entirely at the buyer's risk, and the buyer agrees to defend, indemnify and hold harmless Microchip from any and all damages, claims, suits, or expenses resulting from such use. No licenses are conveyed, implicitly or otherwise, under any Microchip intellectual property rights.

Trademarks

The Microchip name and logo, the Microchip logo, dsPIC, KEELOQ, KEELOQ logo, MPLAB, PIC, PICmicro, PICSTART, PIC³² logo, rPIC and UNI/O are registered trademarks of Microchip Technology Incorporated in the U.S.A. and other countries.


FilterLab, Hampshire, HI-TECH C, Linear Active Thermistor, MXDEV, MXLAB, SEEVAL and The Embedded Control Solutions Company are registered trademarks of Microchip Technology Incorporated in the U.S.A.

Analog-for-the-Digital Age, Application Maestro, CodeGuard, dsPICDEM, dsPICDEM.net, dsPICworks, dsSPEAK, ECAN, ECONOMONITOR, FanSense, HI-TIDE, In-Circuit Serial Programming, ICSP, Mindi, MiWi, MPASM, MPLAB Certified logo, MPLIB, MPLINK, mTouch, Omniscient Code Generation, PICC, PICC-18, PICDEM, PICDEM.net, PICkit, PICTail, REAL ICE, rLAB, Select Mode, Total Endurance, TSHARC, UniWinDriver, WiperLock and ZENA are trademarks of Microchip Technology Incorporated in the U.S.A. and other countries.

SQTP is a service mark of Microchip Technology Incorporated in the U.S.A.

All other trademarks mentioned herein are property of their respective companies.

© 2010, Microchip Technology Incorporated, Printed in the U.S.A., All Rights Reserved.

 Printed on recycled paper.

ISBN: 978-1-60932-782-8

Microchip received ISO/TS-16949:2002 certification for its worldwide headquarters, design and wafer fabrication facilities in Chandler and Tempe, Arizona; Gresham, Oregon and design centers in California and India. The Company's quality system processes and procedures are for its PIC[®] MCUs and dsPIC[®] DSCs, KEELOQ[®] code hopping devices, Serial EEPROMs, microperipherals, nonvolatile memory and analog products. In addition, Microchip's quality system for the design and manufacture of development systems is ISO 9001:2000 certified.

**QUALITY MANAGEMENT SYSTEM
CERTIFIED BY DNV
== ISO/TS 16949:2002 ==**



MICROCHIP

Worldwide Sales and Service

AMERICAS

Corporate Office
2355 West Chandler Blvd.
Chandler, AZ 85224-6199
Tel: 480-792-7200
Fax: 480-792-7277
Technical Support:
<http://support.microchip.com>
Web Address:
www.microchip.com

Atlanta
Duluth, GA
Tel: 678-957-9614
Fax: 678-957-1455

Boston
Westborough, MA
Tel: 774-760-0087
Fax: 774-760-0088

Chicago
Itasca, IL
Tel: 630-285-0071
Fax: 630-285-0075

Cleveland
Independence, OH
Tel: 216-447-0464
Fax: 216-447-0643

Dallas
Addison, TX
Tel: 972-818-7423
Fax: 972-818-2924

Detroit
Farmington Hills, MI
Tel: 248-538-2250
Fax: 248-538-2260

Kokomo
Kokomo, IN
Tel: 765-864-8360
Fax: 765-864-8387

Los Angeles
Mission Viejo, CA
Tel: 949-462-9523
Fax: 949-462-9608

Santa Clara
Santa Clara, CA
Tel: 408-961-6444
Fax: 408-961-6445

Toronto
Mississauga, Ontario,
Canada
Tel: 905-673-0699
Fax: 905-673-6509

ASIA/PACIFIC

Asia Pacific Office
Suites 3707-14, 37th Floor
Tower 6, The Gateway
Harbour City, Kowloon
Hong Kong
Tel: 852-2401-1200
Fax: 852-2401-3431

Australia - Sydney
Tel: 61-2-9868-6733
Fax: 61-2-9868-6755

China - Beijing
Tel: 86-10-8528-2100
Fax: 86-10-8528-2104

China - Chengdu
Tel: 86-28-8665-5511
Fax: 86-28-8665-7889

China - Chongqing
Tel: 86-23-8980-9588
Fax: 86-23-8980-9500

China - Hong Kong SAR
Tel: 852-2401-1200
Fax: 852-2401-3431

China - Nanjing
Tel: 86-25-8473-2460
Fax: 86-25-8473-2470

China - Qingdao
Tel: 86-532-8502-7355
Fax: 86-532-8502-7205

China - Shanghai
Tel: 86-21-5407-5533
Fax: 86-21-5407-5066

China - Shenyang
Tel: 86-24-2334-2829
Fax: 86-24-2334-2393

China - Shenzhen
Tel: 86-755-8203-2660
Fax: 86-755-8203-1760

China - Wuhan
Tel: 86-27-5980-5300
Fax: 86-27-5980-5118

China - Xian
Tel: 86-29-8833-7252
Fax: 86-29-8833-7256

China - Xiamen
Tel: 86-592-2388138
Fax: 86-592-2388130

China - Zhuhai
Tel: 86-756-3210040
Fax: 86-756-3210049

ASIA/PACIFIC

India - Bangalore
Tel: 91-80-3090-4444
Fax: 91-80-3090-4123

India - New Delhi
Tel: 91-11-4160-8631
Fax: 91-11-4160-8632

India - Pune
Tel: 91-20-2566-1512
Fax: 91-20-2566-1513

Japan - Yokohama
Tel: 81-45-471- 6166
Fax: 81-45-471-6122

Korea - Daegu
Tel: 82-53-744-4301
Fax: 82-53-744-4302

Korea - Seoul
Tel: 82-2-554-7200
Fax: 82-2-558-5932 or
82-2-558-5934

Malaysia - Kuala Lumpur
Tel: 60-3-6201-9857
Fax: 60-3-6201-9859

Malaysia - Penang
Tel: 60-4-227-8870
Fax: 60-4-227-4068

Philippines - Manila
Tel: 63-2-634-9065
Fax: 63-2-634-9069

Singapore
Tel: 65-6334-8870
Fax: 65-6334-8850

Taiwan - Hsin Chu
Tel: 886-3-6578-300
Fax: 886-3-6578-370

Taiwan - Kaohsiung
Tel: 886-7-213-7830
Fax: 886-7-330-9305

Taiwan - Taipei
Tel: 886-2-2500-6610
Fax: 886-2-2508-0102

Thailand - Bangkok
Tel: 66-2-694-1351
Fax: 66-2-694-1350

EUROPE

Austria - Wels
Tel: 43-7242-2244-39
Fax: 43-7242-2244-393

Denmark - Copenhagen
Tel: 45-4450-2828
Fax: 45-4485-2829

France - Paris
Tel: 33-1-69-53-63-20
Fax: 33-1-69-30-90-79

Germany - Munich
Tel: 49-89-627-144-0
Fax: 49-89-627-144-44

Italy - Milan
Tel: 39-0331-742611
Fax: 39-0331-466781

Netherlands - Drunen
Tel: 31-416-690399
Fax: 31-416-690340

Spain - Madrid
Tel: 34-91-708-08-90
Fax: 34-91-708-08-91

UK - Wokingham
Tel: 44-118-921-5869
Fax: 44-118-921-5820

08/04/10



Компания «ЭлектроПласт» предлагает заключение долгосрочных отношений при поставках импортных электронных компонентов на взаимовыгодных условиях!

Наши преимущества:

- Оперативные поставки широкого спектра электронных компонентов отечественного и импортного производства напрямую от производителей и с крупнейших мировых складов;
- Поставка более 17-ти миллионов наименований электронных компонентов;
- Поставка сложных, дефицитных, либо снятых с производства позиций;
- Оперативные сроки поставки под заказ (от 5 рабочих дней);
- Экспресс доставка в любую точку России;
- Техническая поддержка проекта, помощь в подборе аналогов, поставка прототипов;
- Система менеджмента качества сертифицирована по Международному стандарту ISO 9001;
- Лицензия ФСБ на осуществление работ с использованием сведений, составляющих государственную тайну;
- Поставка специализированных компонентов (Xilinx, Altera, Analog Devices, Intersil, Interpoint, Microsemi, Aeroflex, Peregrine, Syfer, Eurofarad, Texas Instrument, Miteq, Cobham, E2V, MA-COM, Hittite, Mini-Circuits, General Dynamics и др.);

Помимо этого, одним из направлений компании «ЭлектроПласт» является направление «Источники питания». Мы предлагаем Вам помощь Конструкторского отдела:

- Подбор оптимального решения, техническое обоснование при выборе компонента;
- Подбор аналогов;
- Консультации по применению компонента;
- Поставка образцов и прототипов;
- Техническая поддержка проекта;
- Защита от снятия компонента с производства.



Как с нами связаться

Телефон: 8 (812) 309 58 32 (многоканальный)

Факс: 8 (812) 320-02-42

Электронная почта: org@eplast1.ru

Адрес: 198099, г. Санкт-Петербург, ул. Калинина, дом 2, корпус 4, литера А.