

## 50 A, VRPower® Integrated Power Stage

### DESCRIPTION

The SiC781 is an integrated power stage solution optimized for synchronous buck applications to offer high current, high efficiency and high power density performance. Packaged in Vishay's proprietary MLP 6 mm x 6 mm package, SiC781 enables voltage regulator designs to deliver currents up to 50 A per phase.

The internal power MOSFETs utilize Vishay's state-of-the-art trench MOSFET technology that delivers industry benchmark performance to significantly reduce switching and conduction losses.

The SiC781 incorporates an advanced MOSFET gate driver IC that features high current driving capability, adaptive dead-time control, an integrated bootstrap Schottky diode, and a thermal warning (THWn) that alerts the system of excessive junction temperature. This driver is compatible with wide range of PWM controllers and supports tri-state PWM logic (5 V) as well as zero current detection to improve light load efficiency.

### FEATURES

- Thermally enhanced PowerPAK® MLP66-40L package
- Industry benchmark MOSFET with integrated Schottky diode
- Delivers up to 50 A continuous current
- Pin and functionally compatible with NCP5369N
- High frequency operation up to 1 MHz
- Optimized for 12 V input rail applications
- 5 V PWM logic with tri-state threshold
- Zero current detection and low side MOSFET turn off during discontinuous mode
- Short PWM propagation delay (< 20 ns)
- Supports Intel PS2 requirement with ON Semiconductor's NCP5133 and NCP6133 controllers
- Thermal monitor flag
- Faster enable / disable
- V<sub>CIN</sub> under voltage lock out (UVLO)

### APPLICATIONS

- Synchronous buck converters
- Multi-phase VRDs for CPU, GPU and memory
- DC/DC POL modules

### TYPICAL APPLICATION DIAGRAM

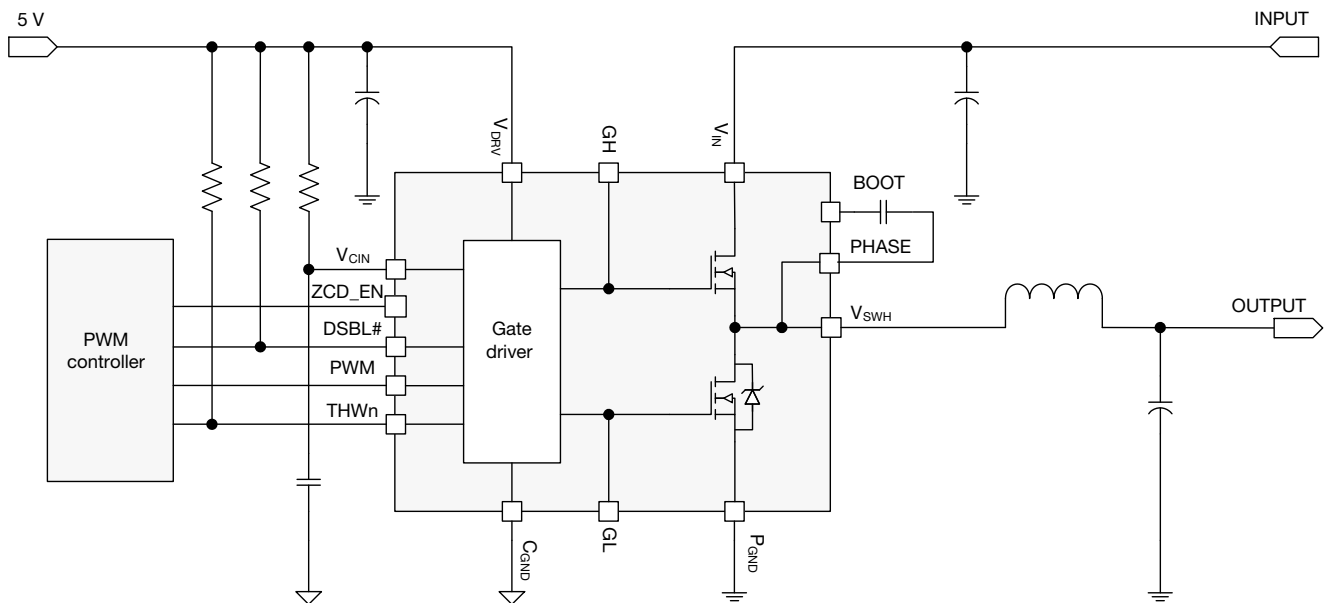
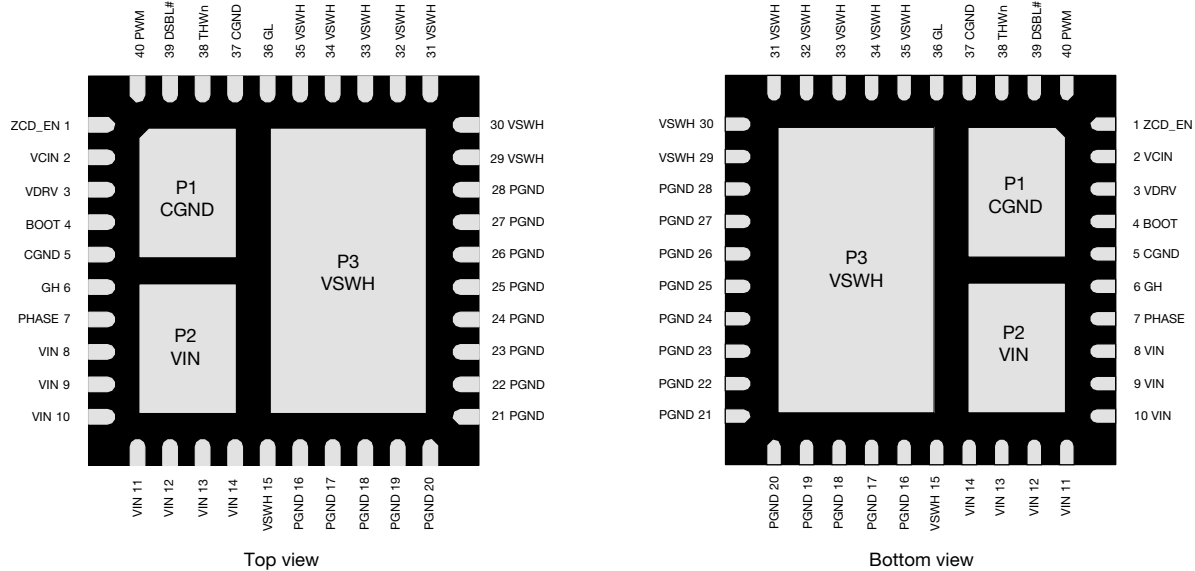


Fig. 1 - SiC781 Typical Application Diagram

## PINOUT CONFIGURATION



**Fig. 2 - SiC781 Pin Configuration**

PIN DESCRIPTION		
PIN NUMBER	NAME	FUNCTION
1	ZCD_EN	ZCD control. Active high
2	V <sub>CIN</sub>	Supply voltage for internal logic circuitry
3	V <sub>DRV</sub>	Supply voltage for internal gate driver
4	BOOT	High-side driver bootstrap voltage
5, 37, P1	C <sub>GND</sub>	Analog ground for the driver IC
6	GH	High-side gate signal
7	PHASE	Return path of high-side gate driver
8 to 14, P2	V <sub>IN</sub>	Power stage input voltage. Drain of high-side MOSFET
15, 29 to 35, P3	V <sub>SWH</sub>	Switch node of the power stage
16 to 28	P <sub>GND</sub>	Power ground
36	GL	Low-side gate signal
38	THWn	Thermal warning open drain output
39	DSBL#	Disable pin. Active low
40	PWM	PWM control input

ORDERING INFORMATION		
PART NUMBER	PACKAGE	MARKING CODE
SiC781CD-T1-GE3	PowerPAK MLP66-40L	SiC781
SiC781DB	Reference Board	



ABSOLUTE MAXIMUM RATINGS			
ELECTRICAL PARAMETER	SYMBOL	LIMITS	UNIT
Input Voltage	$V_{IN}$	-0.3 to +20	V
Control Logic Supply Voltage	$V_{CIN}$	-0.3 to +7	
Drive Supply Voltage	$V_{DRV}$	-0.3 to +7	
Switch Node (DC voltage)	$V_{SWH}$	-0.3 to +20	
Switch Node (AC voltage) <sup>(1)</sup>		-7 to +27	
BOOT Voltage (DC voltage)	$V_{BOOT}$	27	
BOOT Voltage (AC voltage) <sup>(2)</sup>		34	
BOOT to PHASE (DC voltage)	$V_{BOOT\_PHASE}$	-0.3 to +7	
BOOT to PHASE (AC voltage) <sup>(3)</sup>		-0.3 to +8	
All Logic Inputs and Outputs (PWM, DSBL#, ZCD_EN and THWn)		-0.3 to $V_{CIN} + 0.3$	
Max. Operating Junction Temperature	$T_J$	150	°C
Ambient Temperature	$T_A$	-40 to +125	
Storage Temperature	$T_{stg}$	-65 to +150	
Electrostatic Discharge Protection	Human body model, JESD22-A114	4000	V
	Charged device model, JESD22-C101	1000	

**Notes**

- Stresses beyond those listed under “Absolute Maximum Ratings” may cause permanent damage to the device. These are stress ratings only, and functional operation of the device at these or any other conditions beyond those indicated in the operational sections of the specifications is not implied. Exposure to absolute maximum rating conditions for extended periods may affect device reliability.
- (1) The specification values indicate “AC voltage” is  $V_{SWH}$  to  $P_{GND}$ , -7 V (< 50 ns, 10  $\mu$ J), minimum and 27 V (< 50 ns), maximum.
- (2) The specification value indicates “AC voltage” is  $V_{BOOT}$  to  $P_{GND}$ , 34 V (< 50 ns) maximum.
- (3) The specification value indicates “AC voltage” is  $V_{BOOT}$  to  $V_{PHASE}$ , 8 V (< 20 ns) maximum.

RECOMMENDED OPERATING RANGE				
ELECTRICAL	MIN.	TYP.	MAX.	UNIT
Input Voltage ( $V_{IN}$ )	4.5	-	16	V
Drive Supply Voltage ( $V_{DRV}$ )	4.5	5	5.5	
Control Logic Supply Voltage ( $V_{CIN}$ )	4.5	5	5.5	
Switch Node ( $V_{SWH}$ , DC voltage)	-	-	20	
BOOT to PHASE ( $V_{BOOT\_PHASE}$ , DC voltage)	4	4.5	5.5	
Thermal Resistance				
Thermal Resistance from Junction to Case	-	2.5	-	°C/W
Thermal Resistance from Junction to PAD	-	1	-	



<b>ELECTRICAL SPECIFICATIONS</b>						
<b>PARAMETER</b>	<b>SYMBOL</b>	<b>TEST CONDITIONS UNLESS OTHERWISE SPECIFIED (DSBL# = ZCD_EN = 5 V, V<sub>IN</sub> = 12 V, V<sub>DRV</sub> = V<sub>CIN</sub> = 5 V, T<sub>A</sub> = 25 °C)</b>	<b>MIN.</b>	<b>TYP. (1)</b>	<b>MAX.</b>	<b>UNIT</b>
<b>POWER SUPPLIES</b>						
Control Logic Supply Current	I <sub>VCIN</sub>	V <sub>DSBL#</sub> = 0 V, no switching	-	85	-	μA
		V <sub>DSBL#</sub> = 5 V, no switching	-	275	-	
		V <sub>DSBL#</sub> = 5 V, f <sub>s</sub> = 300 kHz, D = 0.1	-	300	-	
Drive Supply Current	I <sub>VDRV</sub>	f <sub>s</sub> = 300 kHz, D = 0.1	-	15	24	mA
		f <sub>s</sub> = 1 MHz, D = 0.1	-	45	-	
		V <sub>DSBL#</sub> = 0 V, no switching	-	35	-	μA
		V <sub>DSBL#</sub> = 5 V, no switching	-	45	-	
<b>BOOTSTRAP SUPPLY</b>						
Bootstrap Switch Forward Voltage	V <sub>F</sub>	I <sub>F</sub> = 2 mA	-	-	0.4	V
<b>PWM CONTROL INPUT</b>						
Rising Threshold	V <sub>TH_PWM_R</sub>		3.4	3.7	4.2	V
Falling Threshold	V <sub>TH_PWM_F</sub>		0.7	0.9	1.2	
Tri-state Rising Threshold	V <sub>TH_TRL_R</sub>		0.9	1.2	1.5	
Tri-state Falling Threshold	V <sub>TH_TRL_F</sub>		3	3.4	3.7	
Tri-state Rising Threshold Hysteresis	V <sub>HYS_TRL_R</sub>		-	250	-	mV
Tri-state Falling Threshold Hysteresis	V <sub>HYS_TRL_F</sub>		-	350	-	
<b>DRIVER TIMING</b>						
Tri-state to GH/GL Rising Propagation Delay	t <sub>PD_TRL_R</sub>		-	30	-	ns
Tri-state GH Hold-Off Time	t <sub>TSHO_GH</sub>	PWM high to tri-state	-	35	-	
Tri-state GL Hold-Off Time	t <sub>TSHO_GL</sub>	PWM low to tri-state	-	120	-	
GH - Turn Off Propagation Delay	t <sub>PD_OFF_GH</sub>		-	20	-	
GH - Turn On Propagation Delay (Dead time rising)	t <sub>PD_ON_GH</sub>		-	8	-	
GL - Turn Off Propagation Delay	t <sub>PD_OFF_GL</sub>		-	12	-	
GL - Turn On Propagation Delay (Dead time falling)	t <sub>PD_ON_GL</sub>		-	8	-	
DSBL# High to GH/GL Rising Propagation Delay	t <sub>PD_DSBL#_R</sub>	Fig. 5	-	20	-	
DSBL# Low to GH/GL Falling Propagation Delay	t <sub>PD_DSBL#_F</sub>		-	15	-	
<b>DSBL#, ZCD_EN INPUT</b>						
DSBL# Logic Input Voltage	V <sub>IH_DSBL#</sub>	Input logic high	2	-	-	V
	V <sub>IL_DSBL#</sub>	Input logic low	-	-	0.8	
ZCD_EN Logic Input Voltage	V <sub>IH_ZCD_EN</sub>	Input logic high	2	-	-	
	V <sub>IL_ZCD_EN</sub>	Input logic low	-	-	0.8	

ELECTRICAL SPECIFICATIONS						
PARAMETER	SYMBOL	TEST CONDITIONS UNLESS OTHERWISE SPECIFIED (DSBL# = ZCD_EN = 5 V, V <sub>IN</sub> = 12 V, V <sub>DRV</sub> = V <sub>CIN</sub> = 5 V, T <sub>A</sub> = 25 °C)	MIN.	TYP. <sup>(1)</sup>	MAX.	UNIT
<b>PROTECTION</b>						
Under Voltage Lockout	V <sub>UVLO</sub>	V <sub>CIN</sub> rising, on threshold	-	3.7	4.3	V
		V <sub>CIN</sub> falling, off threshold	2.7	3.2	-	
Under Voltage Lockout Hysteresis	V <sub>UVLO_HYST</sub>		-	500	-	mV
THWn Flag Set <sup>(2)</sup>	T <sub>THWn_SET</sub>		-	160	-	°C
THWn Flag Clear <sup>(2)</sup>	T <sub>THWn_CLEAR</sub>		-	135	-	
THWn Flag Hysteresis <sup>(2)</sup>	T <sub>THWn_HYST</sub>		-	25	-	
THWn Output Low	V <sub>OL_THWn</sub>	I <sub>THWn</sub> = 2 mA	-	0.02	-	V

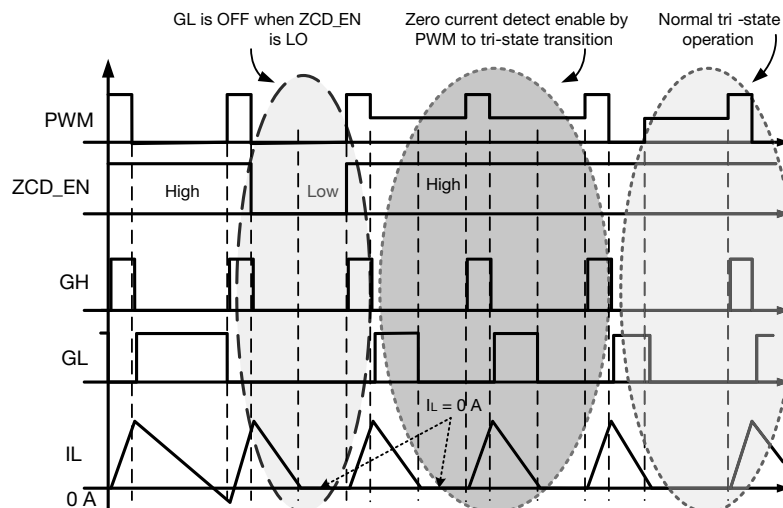
**Notes**

- (1) Typical limits are established by characterization and are not production tested.  
 (2) Guaranteed by design.

DEVICE TRUTH TABLE				
DSBL#	ZCD_EN	PWM	GH	GL
Open	X	X	L	L
L	X	X	L	L
H	L	H	H	L
H	L	Tri-state	L	L
H	L	L	L	L
H	H	H	H	L
H	H	H to tri-state <sup>(1)</sup>	L	H, I <sub>L</sub> > 0 A L, I <sub>L</sub> < 0 A
H	H	L	L	H
H	H	L to tri-state	L	L

**Note**

- (1) In this condition (PS2 mode), controller will deliver PWM signal switching between 5 V and 2 V. See the timing diagram in fig. 3.


**Fig. 3 - Timing Diagram**



## DETAILED OPERATIONAL DESCRIPTION

### PWM Input with Tri-state Function

The PWM input receives the PWM control signal from the VR controller IC. The PWM input is designed to be compatible with standard controllers using two state logic (H and L) and advanced controllers that incorporate tri-state logic (H, L and tri-state) on the PWM output. PWM input operates as follows for two state logic. When PWM is driven above  $V_{TH\_PWM\_R}$  the low-side is turned off and the high-side is turned on. When PWM input is driven below  $V_{TH\_PWM\_F}$  the high-side turns off and the low-side turns on. For tri-state logic, the PWM input operates as above for driving the MOSFETs. However, if the PWM input stays tri-state for the tri-state hold-off period,  $t_{TSHO}$ , both high-side and low-side MOSFETs are turned off. This function allows the VR phase to be disabled without negative output voltage swing caused by inductor ringing and saves a Schottky diode clamp. The PWM and tri-state regions are separated by hysteresis to prevent false triggering.

The SiC781CD incorporates PWM voltage thresholds that are compatible with 5 V logic.

### Disable (DSBL#)

In the low-state, the DSBL# pin shuts down the driver IC and disables both high-side and low-side MOSFETs. In this state, the standby current is minimized. If DSBL# is left unconnected an internal pull-down resistor will pull the pin down to  $C_{GND}$  and shut down the IC.

### Diode Emulation Mode (ZCD\_EN)

When ZCD\_EN pin is high and PWM signal switches from High to tri-state, GL is forced on (after normal BBM time) for the duration of tri-state period. During this time, it is under control of the ZCD (zero crossing detect) comparator. If, after the internal blanking delay, the inductor current becomes zero, GL is turned off. This improves light load efficiency by avoiding discharge of output capacitors.

If PWM enters tri-state from Low, then device will go into normal tri-state mode after tri-state delay. If ZCD\_EN pin is Low the GL output will be turned off regardless of Inductor current, this is an alternative method of improving light load efficiency by reducing switching losses.

This mode of operation is critical to meet improved efficiencies required in Intel's PS2 mode of operation for memory and processor applications.

### Thermal Warning (THWn)

The THWn pin is an open drain signal that flags the presence of excessive junction temperature. Connect a maximum of 20 k $\Omega$  to pull this pin up to  $V_{CIN}$ . An internal temperature sensor detects the junction temperature. The temperature threshold is 160 °C. When this junction temperature is exceeded the THWn flag is set. When the junction temperature drops below 135 °C the device will clear the THWn signal. The SiC781 does not stop operation when the flag is set. The decision to shutdown must be made by an external thermal control function.

### Voltage Input ( $V_{IN}$ )

This is the power input to the drain of the high-side power MOSFET. This pin is connected to the high power intermediate BUS rail.

### Switch Node ( $V_{SWH}$ and PHASE)

The switch node,  $V_{SWH}$ , is the circuit power stage output. This is the output applied to the power inductor and output filter to deliver the output for the buck converter.

The PHASE pin is internally connected to the switch node  $V_{SWH}$ . This pin is to be used exclusively as the return pin for the BOOT capacitor. A 20 k $\Omega$  resistor is connected between GH and PHASE to provide a discharge path for the HS MOSFET in the event that  $V_{CIN}$  goes to zero while  $V_{IN}$  is still applied.

### Ground Connections ( $C_{GND}$ and $P_{GND}$ )

$P_{GND}$  (power ground) should be externally connected to  $C_{GND}$  (control signal ground). The layout of the printed circuit board should be such that the inductance separating  $C_{GND}$  and  $P_{GND}$  is minimized. Transient differences due to inductance effects between these two pins should not exceed 0.5 V.

### Control and Drive Supply Voltage Input ( $V_{DRV}$ , $V_{CIN}$ )

$V_{CIN}$  is the bias supply for the gate drive control IC.  $V_{DRV}$  is the bias supply for the gate drivers. It is recommended to separate these pins through a resistor. This creates a low pass filtering effect to avoid coupling of high frequency gate driver noise into the IC.

### Bootstrap Circuit (BOOT)

An integrated bootstrap diode is incorporated so that only an external capacitor is necessary to complete the bootstrap circuit. Connect a bootstrap capacitor with one leg tied to BOOT pin and the other tied to PHASE pin.

**Shoot-Through Protection and Adaptive Dead Time (AST)**

The SiC781 has an internal adaptive logic to avoid shoot through and optimize dead time. The shoot through protection ensures that both high-side and low-side MOSFETs are not turned on at the same time. The adaptive dead time control operates as follows. The HS and LS gate voltages are monitored to prevent the one turning on from tuning on until the other's gate voltage is sufficiently low (< 1 V). Built in delays also ensure that one power MOS is completely off, before the other can be turned on. This feature helps to adjust dead time as gate transitions change with respect to output current and temperature.

**Under Voltage Lockout (UVLO)**

During the start up cycle, the UVLO disables the gate drive holding high-side and low-side MOSFET gate low until the input voltage rail has reached a point at which the logic circuitry can be safely activated. The SiC781 also incorporates logic to clamp the gate drive signals to zero when the UVLO falling edge triggers the shutdown of the device. As an added precaution, a 20 kΩ resistor is connected between GH and PHASE to provide a discharge path for the HS MOSFET.

**FUNCTIONAL BLOCK DIAGRAM**

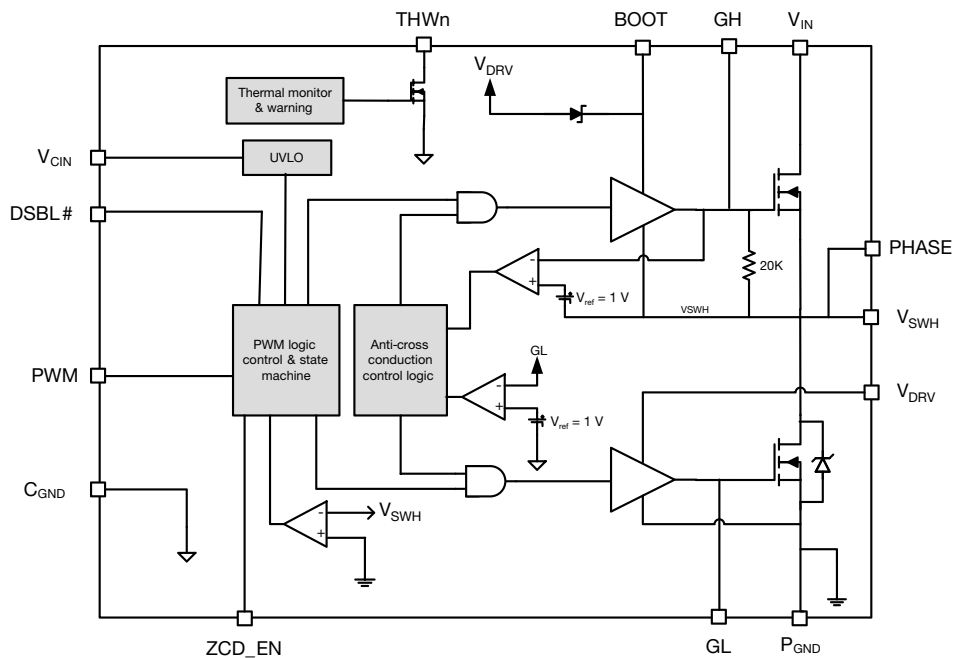
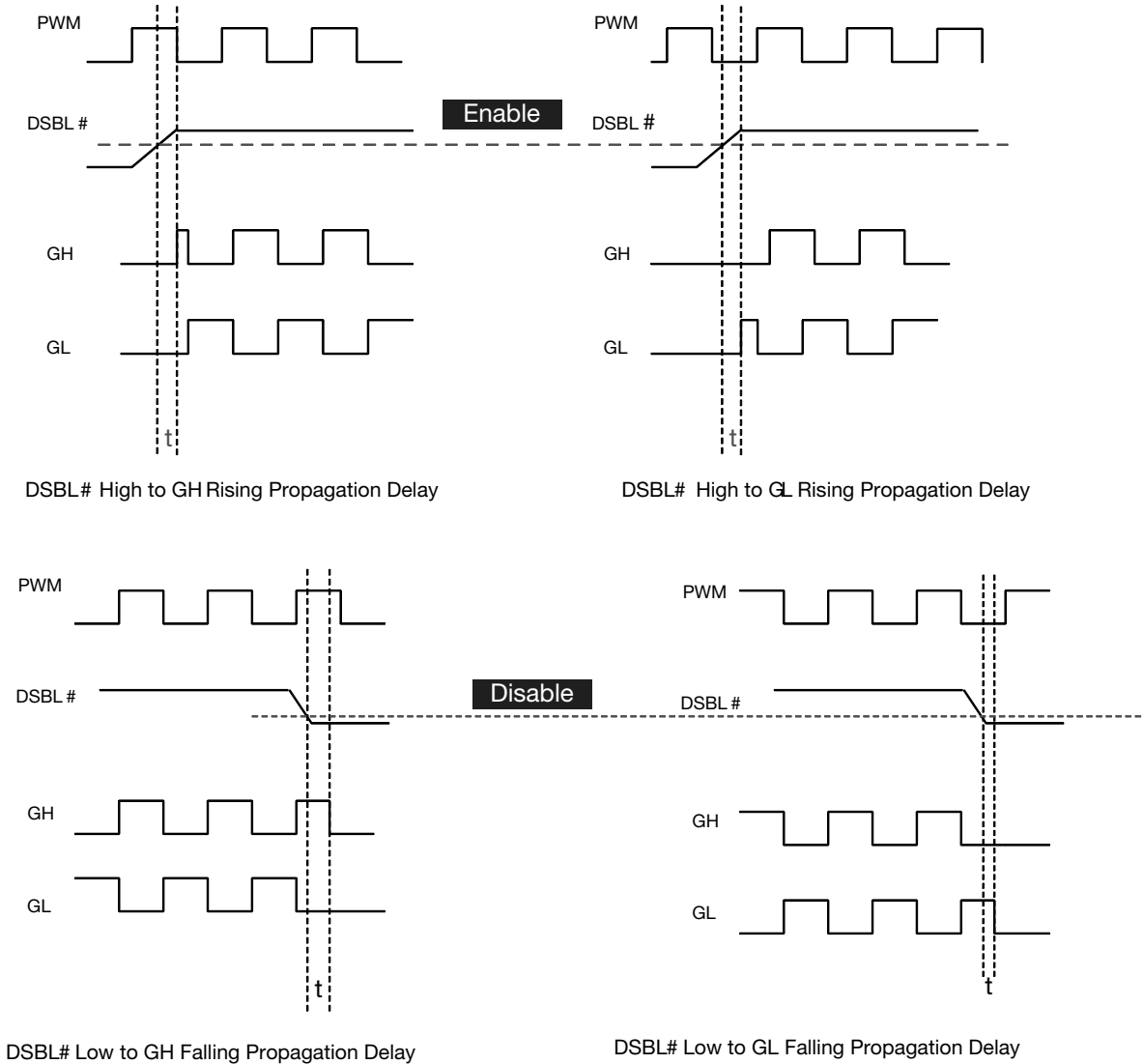


Fig. 4 - SiC781 Functional Block Diagram

**OPERATION TIMING DIAGRAM: DSBL#**

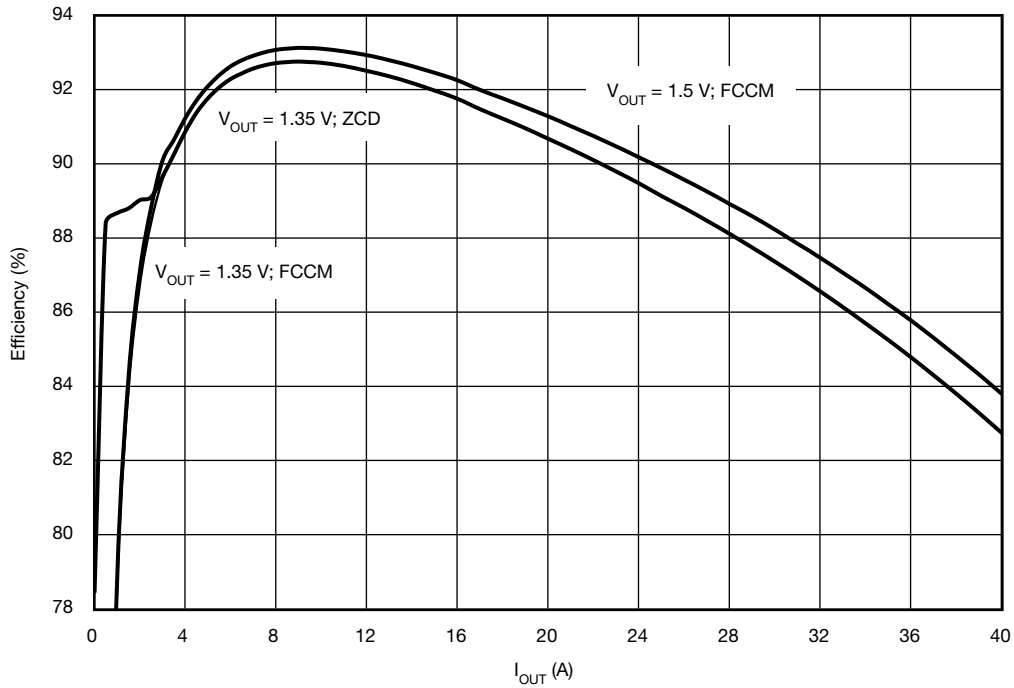


**Fig. 5 - DSBL# Propagation Delay**

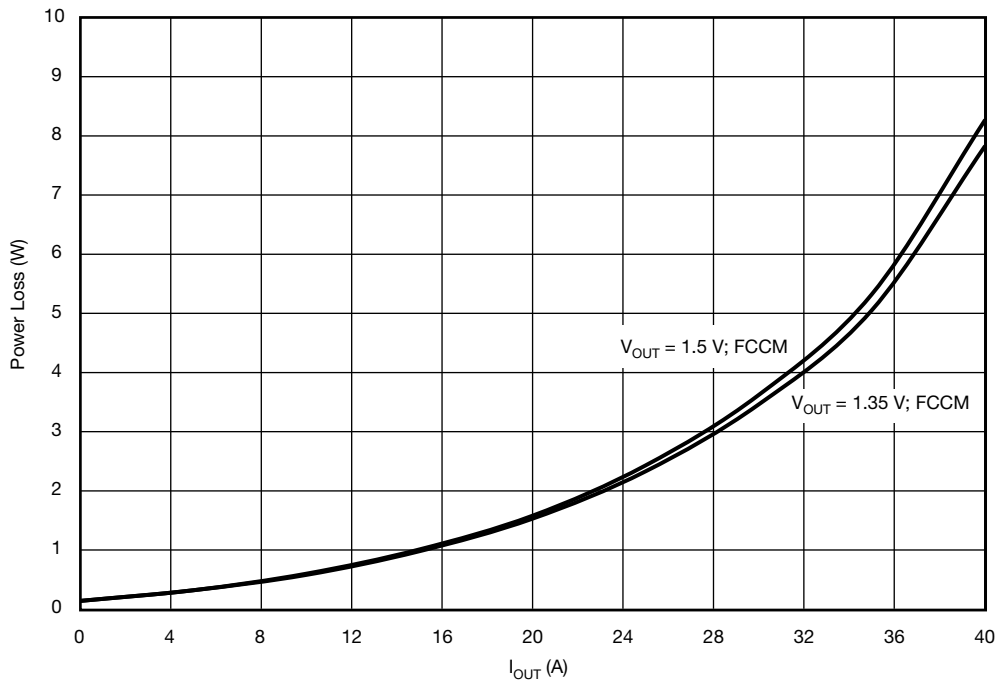


**ELECTRICAL CHARACTERISTICS**

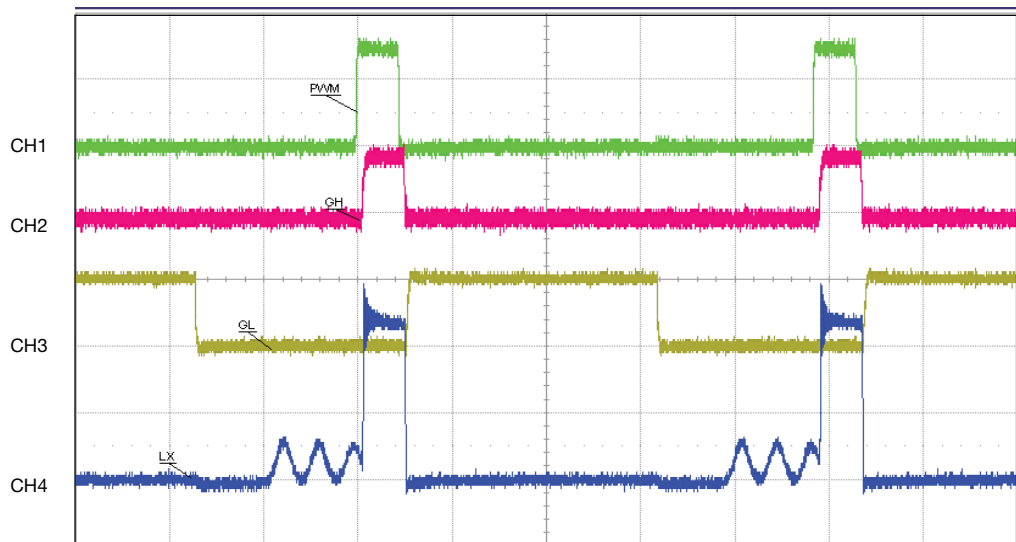
( $V_{IN} = 12\text{ V}$ ,  $F_{SW} = 500\text{ kHz}$ ,  $V_{DRV} = V_{CIN} = 5\text{ V}$ , unless noted otherwise),  $L_{O/P} = 0.33\text{ }\mu\text{H}$  /  $\text{DCR } 0.83\text{ m}\Omega$  (IHLP5050FD0R33-01)



**Fig. 6 - Efficiency vs. I<sub>OUT</sub>**  
 (Complete converter efficiency,  $P_{IN} = [V_{IN} \times I_{IN} + 5\text{ V} \times (I_{DRV} + I_{CIN})]$ ,  $P_{OUT} = V_{OUT} \times I_{OUT}$  measured at output capacitor)



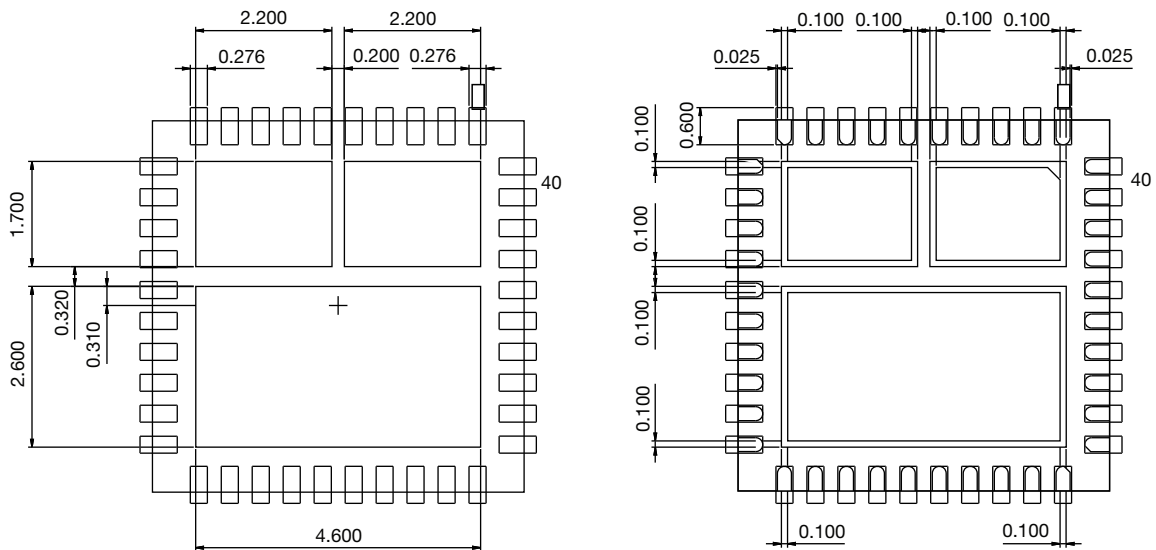
**Fig. 7 - Power Losses vs. I<sub>OUT</sub>**  
 (Includes losses dissipated in the SiC781 only)



**Fig. 8 - PS2 Mode Operation (ZCD)**

CH1 (green) = PWM (2V/div), CH2 (red) = GH (5V/div), CH3 (yellow) = GL (5V/div), CH4 (blue) =  $V_{SWH}$  (5V/div)

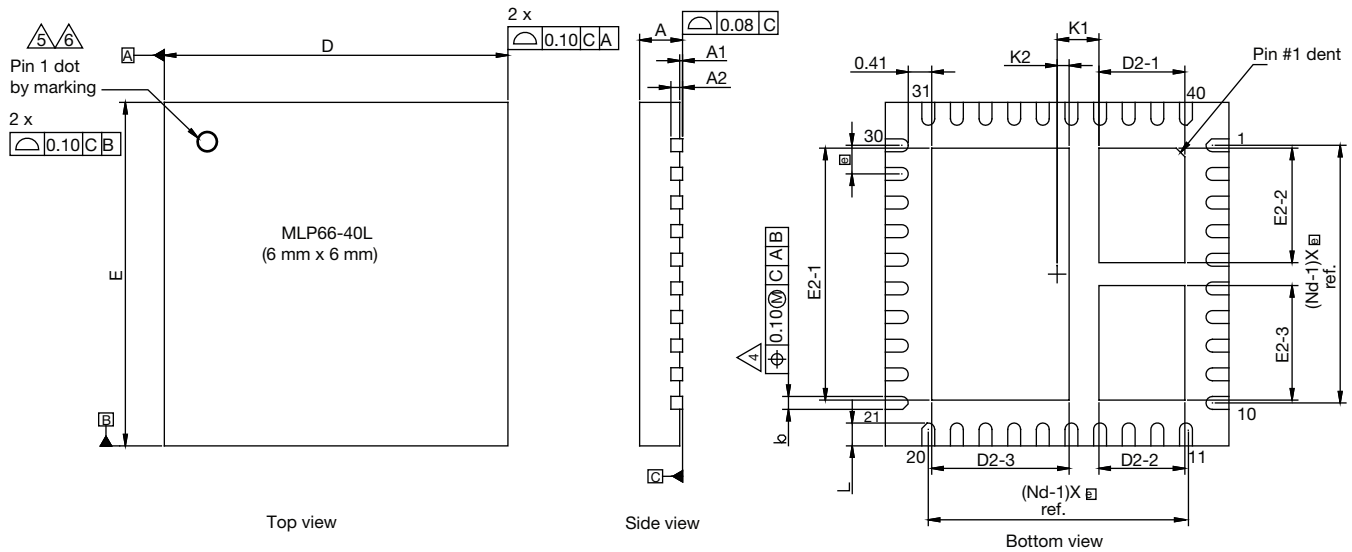
**RECOMMENDED LAND PATTERN PowerPAK MLP66-40L**



All Dimensions are in millimeters



**PACKAGE OUTLINE DRAWING**

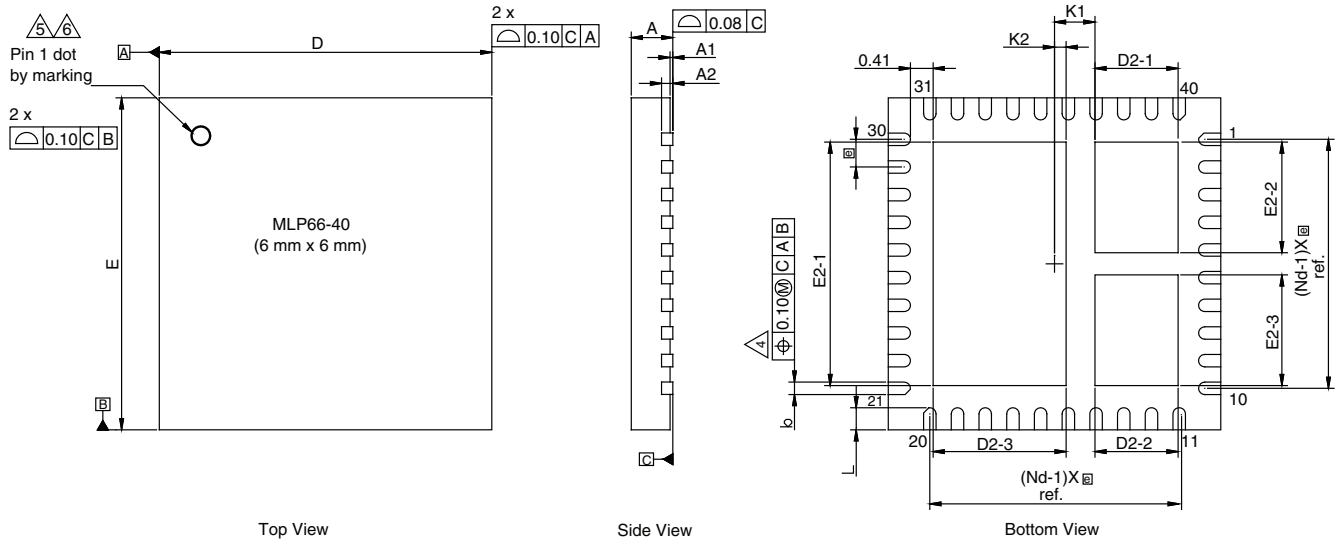


DIM.	MILLIMETERS			INCHES		
	MIN.	NOM.	MAX.	MIN.	NOM.	MAX.
A	0.70	0.75	0.80	0.027	0.029	0.031
A1	0.00	-	0.05	0.000	-	0.002
A2	0.20 ref.			0.008 ref.		
b	0.20	0.25	0.30	0.078	0.098	0.011
D	6.00 BSC			0.236 BSC		
e	0.50 BSC			0.019 BSC		
E	6.00 BSC			0.236 BSC		
L	0.35	0.40	0.45	0.013	0.015	0.017
N	40			40		
Nd	10			10		
Ne	10			10		
D2-1	1.45	1.50	1.55	0.057	0.059	0.061
D2-2	1.45	1.50	1.55	0.057	0.059	0.061
D2-3	2.35	2.40	2.45	0.095	0.094	0.096
E2-1	4.35	4.40	4.45	0.171	0.173	0.175
E2-2	1.95	2.00	2.05	0.076	0.078	0.080
E2-3	1.95	2.00	2.05	0.076	0.078	0.080
K1	0.73 BSC			0.028 BSC		
K2	0.21 BSC			0.008 BSC		

Vishay Siliconix maintains worldwide manufacturing capability. Products may be manufactured at one of several qualified locations. Reliability data for Silicon Technology and Package Reliability represent a composite of all qualified locations. For related documents such as package/tape drawings, part marking, and reliability data, see [www.vishay.com/ppg?62950](http://www.vishay.com/ppg?62950).



# PowerPAK® MLP66-40 Case Outline



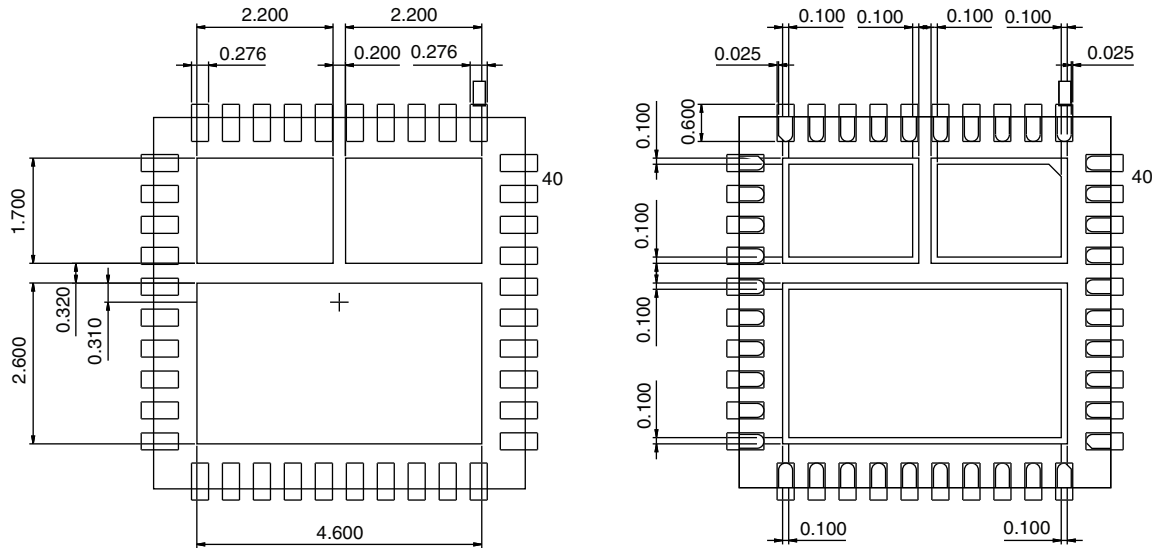
DIM.	MILLIMETERS			INCHES		
	MIN.	NOM.	MAX.	MIN.	NOM.	MAX.
A <sup>(8)</sup>	0.70	0.75	0.80	0.027	0.029	0.031
A1	0.00	-	0.05	0.000	-	0.002
A2	0.20 ref.			0.008 ref.		
b <sup>(4)</sup>	0.20	0.25	0.30	0.078	0.098	0.011
D	6.00 BSC			0.236 BSC		
e	0.50 BSC			0.019 BSC		
E	6.00 BSC			0.236 BSC		
L	0.35	0.40	0.45	0.013	0.015	0.017
N <sup>(3)</sup>	40			40		
Nd <sup>(3)</sup>	10			10		
Ne <sup>(3)</sup>	10			10		
D2-1	1.45	1.50	1.55	0.057	0.059	0.061
D2-2	1.45	1.50	1.55	0.057	0.059	0.061
D2-3	2.35	2.40	2.45	0.095	0.094	0.096
E2-1	4.35	4.40	4.45	0.171	0.173	0.175
E2-2	1.95	2.00	2.05	0.076	0.078	0.080
E2-3	1.95	2.00	2.05	0.076	0.078	0.080
K1	0.73 BSC			0.028 BSC		
K2	0.21 BSC			0.008 BSC		
ECN: T14-0826-Rev. B, 12-Jan-15						
DWG: 5986						

**Notes**

1. Use millimeters as the primary measurement
2. Dimensioning and tolerances conform to ASME Y14.5M. - 1994
3. N is the number of terminals. Nd is the number of terminals in X-direction and Ne is the number of terminals in Y-direction
4. Dimension b applies to plated terminal and is measured between 0.20 mm and 0.25 mm from terminal tip
5. The pin #1 identifier must be existed on the top surface of the package by using indentation mark or other feature of package body
6. Exact shape and size of this feature is optional
7. Package warpage max. 0.08 mm
8. Applied only for terminals



# Recommended Land Pattern PowerPAK® MLP66-40L



All Dimensions are in millimeters



## Disclaimer

ALL PRODUCT, PRODUCT SPECIFICATIONS AND DATA ARE SUBJECT TO CHANGE WITHOUT NOTICE TO IMPROVE RELIABILITY, FUNCTION OR DESIGN OR OTHERWISE.

Vishay Intertechnology, Inc., its affiliates, agents, and employees, and all persons acting on its or their behalf (collectively, "Vishay"), disclaim any and all liability for any errors, inaccuracies or incompleteness contained in any datasheet or in any other disclosure relating to any product.

Vishay makes no warranty, representation or guarantee regarding the suitability of the products for any particular purpose or the continuing production of any product. To the maximum extent permitted by applicable law, Vishay disclaims (i) any and all liability arising out of the application or use of any product, (ii) any and all liability, including without limitation special, consequential or incidental damages, and (iii) any and all implied warranties, including warranties of fitness for particular purpose, non-infringement and merchantability.

Statements regarding the suitability of products for certain types of applications are based on Vishay's knowledge of typical requirements that are often placed on Vishay products in generic applications. Such statements are not binding statements about the suitability of products for a particular application. It is the customer's responsibility to validate that a particular product with the properties described in the product specification is suitable for use in a particular application. Parameters provided in datasheets and/or specifications may vary in different applications and performance may vary over time. All operating parameters, including typical parameters, must be validated for each customer application by the customer's technical experts. Product specifications do not expand or otherwise modify Vishay's terms and conditions of purchase, including but not limited to the warranty expressed therein.

Except as expressly indicated in writing, Vishay products are not designed for use in medical, life-saving, or life-sustaining applications or for any other application in which the failure of the Vishay product could result in personal injury or death. Customers using or selling Vishay products not expressly indicated for use in such applications do so at their own risk. Please contact authorized Vishay personnel to obtain written terms and conditions regarding products designed for such applications.

No license, express or implied, by estoppel or otherwise, to any intellectual property rights is granted by this document or by any conduct of Vishay. Product names and markings noted herein may be trademarks of their respective owners.

## Material Category Policy

**Vishay Intertechnology, Inc. hereby certifies that all its products that are identified as RoHS-Compliant fulfill the definitions and restrictions defined under Directive 2011/65/EU of The European Parliament and of the Council of June 8, 2011 on the restriction of the use of certain hazardous substances in electrical and electronic equipment (EEE) - recast, unless otherwise specified as non-compliant.**

**Please note that some Vishay documentation may still make reference to RoHS Directive 2002/95/EC. We confirm that all the products identified as being compliant to Directive 2002/95/EC conform to Directive 2011/65/EU.**

**Vishay Intertechnology, Inc. hereby certifies that all its products that are identified as Halogen-Free follow Halogen-Free requirements as per JEDEC JS709A standards. Please note that some Vishay documentation may still make reference to the IEC 61249-2-21 definition. We confirm that all the products identified as being compliant to IEC 61249-2-21 conform to JEDEC JS709A standards.**



Компания «ЭлектроПласт» предлагает заключение долгосрочных отношений при поставках импортных электронных компонентов на взаимовыгодных условиях!

Наши преимущества:

- Оперативные поставки широкого спектра электронных компонентов отечественного и импортного производства напрямую от производителей и с крупнейших мировых складов;
- Поставка более 17-ти миллионов наименований электронных компонентов;
- Поставка сложных, дефицитных, либо снятых с производства позиций;
- Оперативные сроки поставки под заказ (от 5 рабочих дней);
- Экспресс доставка в любую точку России;
- Техническая поддержка проекта, помощь в подборе аналогов, поставка прототипов;
- Система менеджмента качества сертифицирована по Международному стандарту ISO 9001;
- Лицензия ФСБ на осуществление работ с использованием сведений, составляющих государственную тайну;
- Поставка специализированных компонентов (Xilinx, Altera, Analog Devices, Intersil, Interpoint, Microsemi, Aeroflex, Peregrine, Syfer, Eurofarad, Texas Instrument, Miteq, Cobham, E2V, MA-COM, Hittite, Mini-Circuits, General Dynamics и др.);

Помимо этого, одним из направлений компании «ЭлектроПласт» является направление «Источники питания». Мы предлагаем Вам помощь Конструкторского отдела:

- Подбор оптимального решения, техническое обоснование при выборе компонента;
- Подбор аналогов;
- Консультации по применению компонента;
- Поставка образцов и прототипов;
- Техническая поддержка проекта;
- Защита от снятия компонента с производства.



#### Как с нами связаться

**Телефон:** 8 (812) 309 58 32 (многоканальный)

**Факс:** 8 (812) 320-02-42

**Электронная почта:** [org@eplast1.ru](mailto:org@eplast1.ru)

**Адрес:** 198099, г. Санкт-Петербург, ул. Калинина, дом 2, корпус 4, литера А.