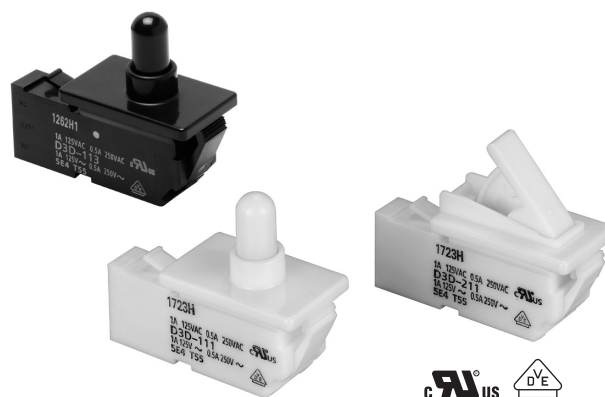



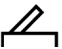
# Miniature Door Switch D3D

## Unique Mechanism Allows Switching of Micro Loads

- Choose from plunger or lever actuators.
- Disconnectable crimp connector for easier wiring.
- Snap-fit attachment for easy installation.
- Provides a long stroke with its unique mechanism
- Available in a variety of colors.
- Low noise operation.
- RoHS Compliant.



## Ordering Information

Actuator	Housing Color	Contact form		
		SPDT	SPST-NC	SPST-NO
Plunger 	White	D3D-111	D3D-121	D3D-131
	Black	D3D-113	D3D-123	D3D-133
Lever 	White	D3D-211	D3D-221	D3D-231
	Black	D3D-213	D3D-223	D3D-233

### Model Number Legend

D3D -     
1 2 3

- |             |                 |                  |
|-------------|-----------------|------------------|
| 1. Actuator | 2. Contact Form | 3. Housing Color |
| 1: Plunger  | 1: SPDT         | 1: White         |
| 2: Lever    | 2: SPST-NC      | 3: Black         |
|             | 3: SPST-NO      |                  |

## Specifications

### Characteristics

Permissible Operating speed	7.5 to 500 mm/s
Permissible Operating frequency	Mechanical: 120 operations/minute, max. Electrical: 20 operations/minute, max.
Insulation resistance	100 MΩ min. (at 500 VDC with insulation tester)
Contact resistance	100 mΩ max.
Dielectric strength	1,000 VAC, 50/60 Hz for 1 min between terminals of the same polarity 1,500 VAC, 50/60 Hz for 1 min between current-carrying metal parts and ground, and between each terminal and non-current-carrying metal parts
Vibration resistance (See note 2)	Malfunction: 10 to 55 Hz, 1.5-mm double amplitude
Shock resistance (See note 2)	Destruction: 490 m/s <sup>2</sup> (approx. 49G) max. Malfunction: 300 m/s <sup>2</sup> (approx. 30G) max.
Degree of protection	IEC IP00
Degree of protection against electric shock	Class I
Proof tracking index (PTI)	250
Ambient operating temperature	-30°C to 60°C (with no icing or condensation at ambient humidity of 60% max.)
Ambient operating humidity	85% max. (at 5 to 35°C)
Life expectancy	Mechanical: 300,000 operations min. (60 operations per minute) Electrical: 50,000 operations min. (20 operations per minute)
Weight	Approx. 4 g

- Note: 1. Data shown are of initial value.  
2. The contacts do not open or close for more than 1 ms.

## ■ Ratings

Rated voltage	Resistive load
125 VAC	1 A
250 VAC	0.5 A

**Note:** The electrical rating applies under the following test conditions:  
Ambient Temperature = 20±2°C, Ambient Humidity = 65±5%, Operating frequency = 30 operations/min.

## ■ Approved Standards

### UL Recognized/CSA Certified

Rated voltage	D3D
125 VAC	1 A (Resistive)
250 VAC	0.5 A (Resistive)

### EN61058-1 (VDE approval)

Rated voltage	D3D
125 VAC	1 A
250 VAC	0.5 A

Testing conditions: 5E4 (50,000 operations), T55 (0°C to 55°C)

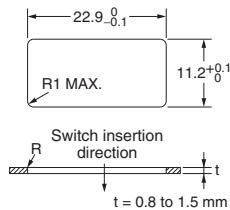
## ■ Contact Specifications

Item	Specification
Specification	Crossbar
Material	Gold alloy
Minimum applicable load (see note)	1 mA at 5 VDC

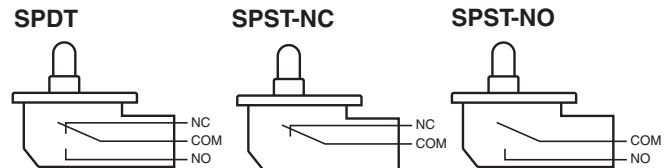
**Note:** Minimum applicable loads are indicated by N standard reference values. This value represents the failure rate at a 60% ( $\lambda_{60}$ ) reliability level (JIS C5003).  
The equation  $\lambda_{60}=0.5 \times 10^{-6}$  / operations indicates that a failure rate of 1/2,000,000 operations can be expected at a reliability level of 60%.

## Engineering Data

### ■ Panel Cutout Dimensions



### ■ Contact Form



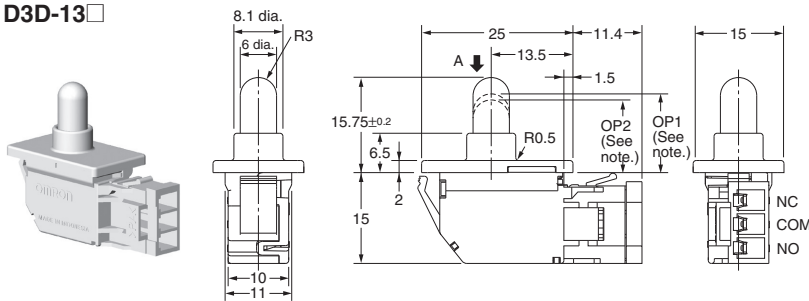
## Dimensions

### ■ Dimensions and Operating Characteristics

- Note:** 1. Unless otherwise specified, all units are in millimeters and a tolerance of ±0.4 mm applies to all dimensions  
2. The operating characteristics are for operation in the A direction (indicated by the arrow)

#### Plunger Models

- D3D-11 □
- D3D-12 □
- D3D-13 □



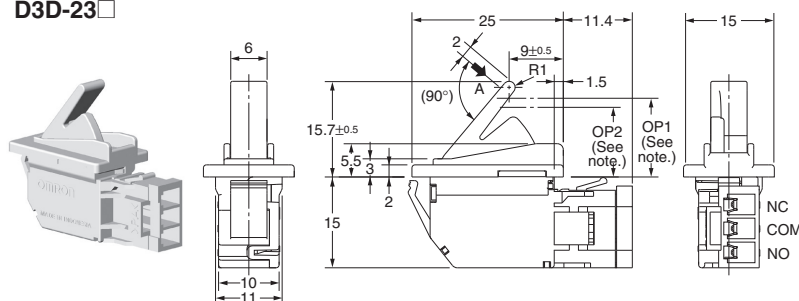
**Note:** The dimensions OP1 and OP2 apply to the D3D-11 □ only. The D3D-12 □ and D3D-13 □ are SPST-NC and SPST-NO respectively and so therefore have only one corresponding dimension here (OP).

Type	Plunger model		
	D3D-11 □	D3D-12 □	D3D-13 □
OF max.	204 gf		
TTF max.	357 gf		
TT	9.0 mm (reference value)		
OP min.	OP1 (NC-OFF) 13 mm	13 mm (NC-OFF)	12 mm (NO-ON)
	OP2 (NO-ON) 12 mm		

- Note:** 1. Unless otherwise specified, all units are in millimeters and a tolerance of  $\pm 0.4$  mm applies to all dimensions  
 2. The operating characteristics are for operation in the A direction (indicated by the arrow)

**Lever Models**

- D3D-21□
- D3D-22□
- D3D-23□



**Note:** The dimensions OP1 and OP2 apply to the D3D-21□ only. The D3D-22□ and D3D-23□ are SPST-NC and SPST-NO respectively and so therefore have only one corresponding dimension here (OP).

Type Model	Lever model		
	D3D-21□	D3D-22□	D3D-23□
OF max.	204 gf		
TTF max.	357 gf		
TT	9.7 mm (reference value)		
OP min.	OP1 (NC-OFF) 13 mm	13 mm (NC-OFF)	11.5 mm (NO-ON)
	OP2 (NO-ON) 11.5 mm		

## Precautions

Be sure to read the precautions and information common to all Snap Action and Detection Switches, contained in the Technical User's Guide, "Snap Action Switches, Technical Information" for correct use.

### Correct Use

#### Mounting

This product does not have waterproof or drip-proof construction. Ensure that water does not enter the switch interior. In particular, do not use the switch in locations where water may be spilled or flow over the switch. Doing so may result in deterioration of the insulation.

#### Wiring

Do not use the switch with a large force applied to the connector or lead wire. Doing so may result in rattling or contact failure.

#### Storage Environment

Storing the switch in a plastic bag will help prevent discoloration due to sulfuration of the (silver-plated) terminals.

Do not use the switch in locations subject to harmful gases or to high temperatures or humidity levels. Depending on the location, it is recommended that switches be inspected between 3 and 6 months after the date of manufacture.

#### Micro Loads

Even when using the switch within the operating range, if there are inrush currents or surges, it may decrease the durability of the switch. If necessary, insert a contact protection circuit.

#### Connectors

The terminals connect to JST's HL Connector.

The HL Connector consists of the following components.

Contact: SSF-21T-P1.4

Housing: HLP-03V

Omron does not sell the HL Connector.

Contact J.S.T. Manufacturing Co. for these connectors.

### Cautions

#### Handling

Do not expose the switch to shocks, such as by dropping it. Doing so may damage or deform the switch.

Do not apply lubrication to the sliding parts, such as pushbuttons or actuators. Doing so may result in faulty operation or contact failure.

In order to ensure stable contact force for NO contacts, use an operating stroke of at least 5 mm.

#### Operating Stroke

In order to ensure stable contact force for NO contacts, set the total stroke to at least 5 mm.

All sales are subject to Omron Electronic Components LLC standard terms and conditions of sale, which can be found at [http://www.components.omron.com/components/web/webfiles.nsf/sales\\_terms.html](http://www.components.omron.com/components/web/webfiles.nsf/sales_terms.html)

**ALL DIMENSIONS SHOWN ARE IN MILLIMETERS.**  
To convert millimeters into inches, multiply by 0.03937. To convert grams into ounces, multiply by 0.03527.

---

**OMRON**<sup>®</sup>

**OMRON ELECTRONIC  
COMPONENTS LLC**

55 E. Commerce Drive, Suite B  
Schaumburg, IL 60173

**847-882-2288**

**OMRON ON-LINE**

Global - <http://www.omron.com>

USA - <http://www.components.omron.com>

Cat. No. X303-E-1a

09/12

Specifications subject to change without notice

Printed in USA



Компания «ЭлектроПласт» предлагает заключение долгосрочных отношений при поставках импортных электронных компонентов на взаимовыгодных условиях!

Наши преимущества:

- Оперативные поставки широкого спектра электронных компонентов отечественного и импортного производства напрямую от производителей и с крупнейших мировых складов;
- Поставка более 17-ти миллионов наименований электронных компонентов;
- Поставка сложных, дефицитных, либо снятых с производства позиций;
- Оперативные сроки поставки под заказ (от 5 рабочих дней);
- Экспресс доставка в любую точку России;
- Техническая поддержка проекта, помощь в подборе аналогов, поставка прототипов;
- Система менеджмента качества сертифицирована по Международному стандарту ISO 9001;
- Лицензия ФСБ на осуществление работ с использованием сведений, составляющих государственную тайну;
- Поставка специализированных компонентов (Xilinx, Altera, Analog Devices, Intersil, Interpoint, Microsemi, Aeroflex, Peregrine, Syfer, Eurofarad, Texas Instrument, Miteq, Cobham, E2V, MA-COM, Hittite, Mini-Circuits, General Dynamics и др.);

Помимо этого, одним из направлений компании «ЭлектроПласт» является направление «Источники питания». Мы предлагаем Вам помощь Конструкторского отдела:

- Подбор оптимального решения, техническое обоснование при выборе компонента;
- Подбор аналогов;
- Консультации по применению компонента;
- Поставка образцов и прототипов;
- Техническая поддержка проекта;
- Защита от снятия компонента с производства.



#### Как с нами связаться

**Телефон:** 8 (812) 309 58 32 (многоканальный)

**Факс:** 8 (812) 320-02-42

**Электронная почта:** [org@eplast1.ru](mailto:org@eplast1.ru)

**Адрес:** 198099, г. Санкт-Петербург, ул. Калинина, дом 2, корпус 4, литера А.