

Male Style 1/2 M

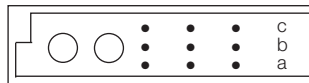
Series 8483



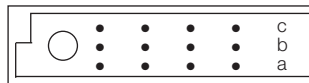
Contact Design and Termination Length	No. of Cavities For Signal Contacts	No. of Cavities for Special Contacts	Loading Description	Part Number Performance classes according to DIN 41612	
				II	I
3.0 mm (Y) Straight	12 (3 x 4)	4	a + b + c fully loaded	10 8483 012 001 025	10 8483 012 001 049
				10 8483 030 001 025	10 8483 030 001 049
11.4 mm (Y) Straight	12 (3 x 4)	4	a + b + c fully loaded	10 8483 012 002 025	10 8483 012 002 049
				10 8483 030 002 025	10 8483 030 002 049
3.0 mm (Y) Right Angled	12 (3 x 4)	4	a + b + c fully loaded	10 8483 012 003 025	10 8483 012 003 049
				10 8483 030 003 025	10 8483 030 003 049
11.3mm (Y) Right Angled	12 (3 x 4)	4	a + b + c fully loaded	10 8483 012 004 025	10 8483 012 004 049
				10 8483 030 004 025	10 8483 030 004 049
Solder hole rows a + c 6.1 mm row b 8.8 mm	12 (3 x 4)	4	a + b + c fully loaded	10 8483 012 006 025	10 8483 012 006 049
				10 8483 030 006 025	10 8483 030 006 049

NB: Additional Plating & Loading Variations: Please contact your local AVX sales office or distributor.

LOADING DESCRIPTION

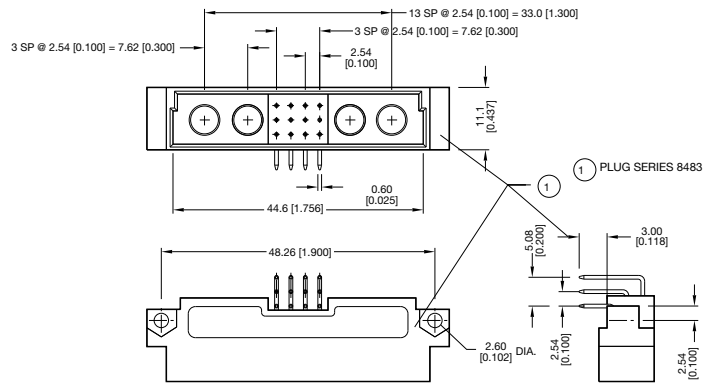


4 contacts, rows a + b + c fully loaded



2 contacts, rows a + b + c fully loaded

DIMENSIONS

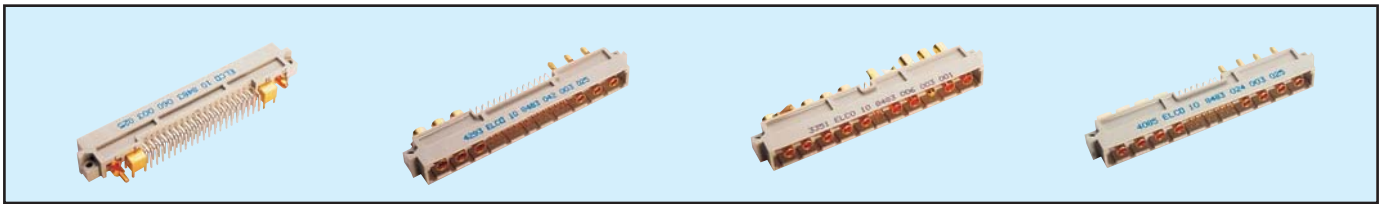


CONTACT ARRANGEMENT

	Variations Receptacle (Mating Side)					Max. Pin Counts
	15	12	9	8	5	
a						30+ Max. 2 Signal Contacts
b						
c						
a						12+ Max. 4 Signal Contacts
b						
c						

Male Style M

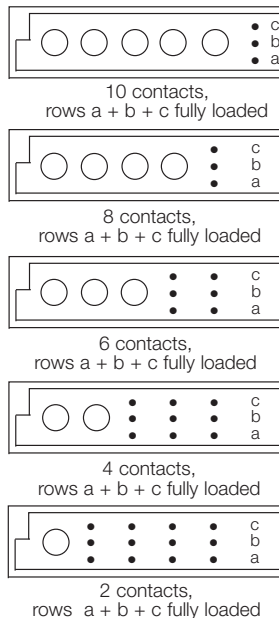
Series 8483 – Fully loaded



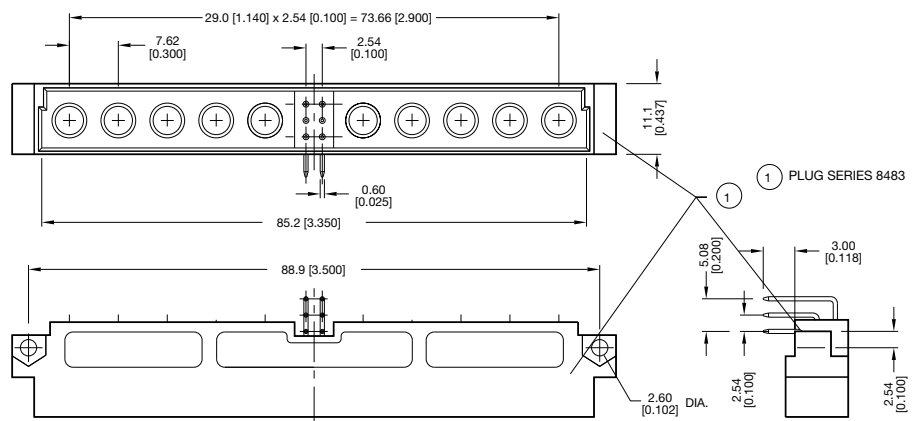
Contact Design and Termination Length	No. of Cavities For Signal Contacts	No. of Cavities for Special Contacts	Loading Description	Part Number Performance classes according to DIN 41612	
				II	I
3.0 mm (Y) Straight	6 (3 x 2)	10	a + b + c fully loaded	10 8483 006 001 025	10 8483 006 001 049
	24 (3 x 8)	8	a + b + c fully loaded	10 8483 024 001 025	10 8483 024 001 049
	42 (3 x 14)	6	a + b + c fully loaded	10 8483 042 001 025	10 8483 042 001 049
	60 (3 x 20)	4	a + b + c fully loaded	10 8483 060 001 025	10 8483 060 001 049
	78 (3 x 26)	2	a + b + c fully loaded	10 8483 078 001 025	10 8483 078 001 049
11.4 mm (Y) Straight	6 (3 x 2)	10	a + b + c fully loaded	10 8483 006 002 025	10 8483 006 002 049
	24 (3 x 8)	8	a + b + c fully loaded	10 8483 024 002 025	10 8483 024 002 049
	42 (3 x 14)	6	a + b + c fully loaded	10 8483 042 002 025	10 8483 042 002 049
	60 (3 x 20)	4	a + b + c fully loaded	10 8483 060 002 025	10 8483 060 002 049
	78 (3 x 26)	2	a + b + c fully loaded	10 8483 078 002 025	10 8483 078 002 049
3.0 mm (Y) Right Angled	6 (3 x 2)	10	a + b + c fully loaded	10 8483 006 003 025	10 8483 006 003 049
	24 (3 x 8)	8	a + b + c fully loaded	10 8483 024 003 025	10 8483 024 003 049
	42 (3 x 14)	6	a + b + c fully loaded	10 8483 042 003 025	10 8483 042 003 049
	60 (3 x 20)	4	a + b + c fully loaded	10 8483 060 003 025	10 8483 060 003 049
	78 (3 x 26)	2	a + b + c fully loaded	10 8483 078 003 025	10 8483 078 003 049
11.3mm (Y) Right Angled	6 (3 x 2)	10	a + b + c fully loaded	10 8483 006 004 025	10 8483 006 004 049
	24 (3 x 8)	8	a + b + c fully loaded	10 8483 024 004 025	10 8483 024 004 049
	42 (3 x 14)	6	a + b + c fully loaded	10 8483 042 004 025	10 8483 042 004 049
	60 (3 x 20)	4	a + b + c fully loaded	10 8483 060 004 025	10 8483 060 004 049
	78 (3 x 26)	2	a + b + c fully loaded	10 8483 078 004 025	10 8483 078 004 049
Solder hole rows a + c 6.1 mm row b 8.8 mm	6 (3 x 2)	10	a + b + c fully loaded	10 8483 006 006 025	10 8483 006 006 049
	24 (3 x 8)	8	a + b + c fully loaded	10 8483 024 006 025	10 8483 024 006 049
	42 (3 x 14)	6	a + b + c fully loaded	10 8483 042 006 025	10 8483 042 006 049
	60 (3 x 20)	4	a + b + c fully loaded	10 8483 060 006 025	10 8483 060 006 049
	78 (3 x 26)	2	a + b + c fully loaded	10 8483 078 006 025	10 8483 078 006 049

NB: Additional Plating & Loading Variations: Please contact your local AVX sales office or distributor.

LOADING DESCRIPTION



DIMENSIONS



See Page 45 for board layout

Female Style M

Series 8483 – Fully loaded



Contact Design and Termination Length	No. of Cavities For Signal Contacts	No. of Cavities for Special Contacts	Loading Description	Part Number Performance classes according to DIN 41612	
				II	I
4.5 mm (Y) Straight	6 (3 x 2)	10	a + b + c fully loaded	20 8483 006 001 025	20 8483 006 001 049
	24 (3 x 8)	8	a + b + c fully loaded	20 8483 024 001 025	20 8483 024 001 049
	42 (3 x 14)	6	a + b + c fully loaded	20 8483 042 001 025	20 8483 042 001 049
	60 (3 x 20)	4	a + b + c fully loaded	20 8483 060 001 025	20 8483 060 001 049
	78 (3 x 26)	2	a + b + c fully loaded	20 8483 078 001 025	20 8483 078 001 049
2.9 mm (Y) Straight	6 (3 x 2)	10	a + b + c fully loaded	20 8483 006 002 025	20 8483 006 002 049
	24 (3 x 8)	8	a + b + c fully loaded	20 8483 024 002 025	20 8483 024 002 049
	42 (3 x 14)	6	a + b + c fully loaded	20 8483 042 002 025	20 8483 042 002 049
	60 (3 x 20)	4	a + b + c fully loaded	20 8483 060 002 025	20 8483 060 002 049
	78 (3 x 26)	2	a + b + c fully loaded	20 8483 078 002 025	20 8483 078 002 049
13.0 mm (Y) Straight	6 (3 x 2)	10	a + b + c fully loaded	20 8483 006 003 025	20 8483 006 003 049
	24 (3 x 8)	8	a + b + c fully loaded	20 8483 024 003 025	20 8483 024 003 049
	42 (3 x 14)	6	a + b + c fully loaded	20 8483 042 003 025	20 8483 042 003 049
	60 (3 x 20)	4	a + b + c fully loaded	20 8483 060 003 025	20 8483 060 003 049
	78 (3 x 26)	2	a + b + c fully loaded	20 8483 078 003 025	20 8483 078 003 049

NB: Additional Plating & Loading Variations: Please contact your local AVX sales office or distributor.

LOADING DESCRIPTION



10 contacts,
rows a + b + c fully loaded



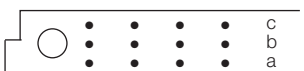
8 contacts,
rows a + b + c fully loaded



6 contacts,
rows a + b + c fully loaded

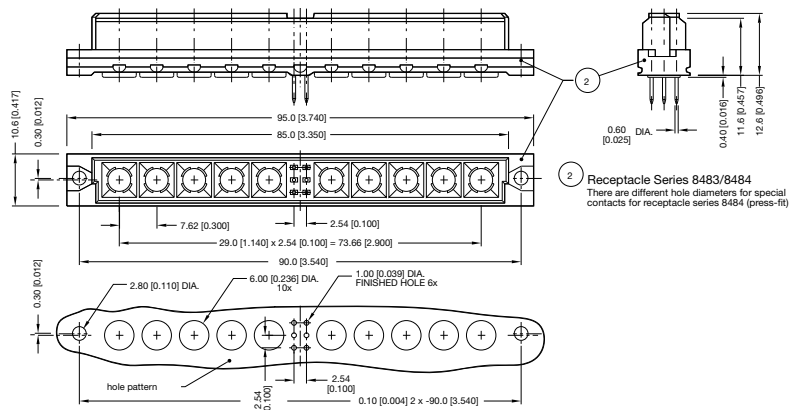


4 contacts,
rows a + b + c fully loaded



2 contacts,
rows a + b + c fully loaded

DIMENSIONS



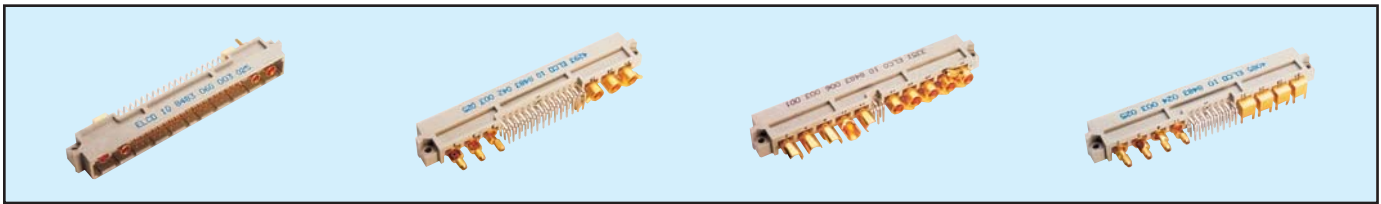
CONTACT ARRANGEMENT		max pin counts
variations receptacle (mating side)		
	31 28 25 22 19 17 16 14 11 8 5 2	
a		78+ max 2 special contacts
b		60+ max 4 special contacts
c		42+ max 6 special contacts
a		24+ max 8 special contacts
b		6+ max 10 special contacts

See Page 45 for board layout

Male Style M



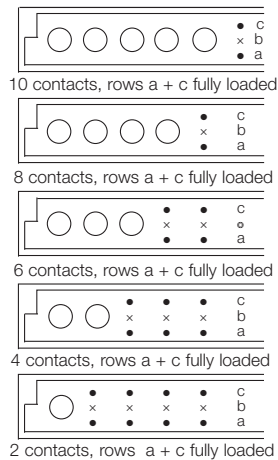
Series 8483 – a + c loaded



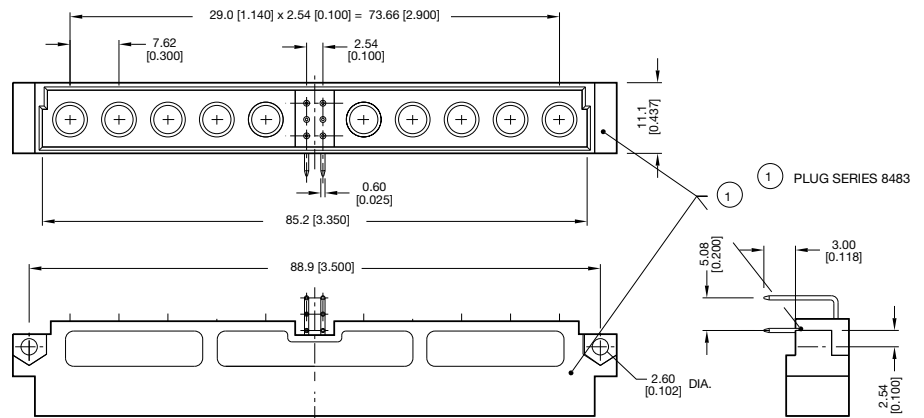
Contact Design and Termination Length	No. of Cavities For Signal Contacts	No. of Cavities for Special Contacts	Loading Description	Part Number Performance classes according to DIN 41612	
				II	I
3.0 mm (Y) Straight	6 (3 x 2)	10	a + c fully loaded	10 8483 006 001 026	10 8483 006 001 050
	24 (3 x 8)	8	a + c fully loaded	10 8483 024 001 026	10 8483 024 001 050
	42 (3 x 14)	6	a + c fully loaded	10 8483 042 001 026	10 8483 042 001 050
	60 (3 x 20)	4	a + c fully loaded	10 8483 060 001 026	10 8483 060 001 050
	78 (3 x 26)	2	a + c fully loaded	10 8483 078 001 026	10 8483 078 001 050
11.4 mm (Y) Straight	6 (3 x 2)	10	a + c fully loaded	10 8483 006 002 026	10 8483 006 002 050
	24 (3 x 8)	8	a + c fully loaded	10 8483 024 002 026	10 8483 024 002 050
	42 (3 x 14)	6	a + c fully loaded	10 8483 042 002 026	10 8483 042 002 050
	60 (3 x 20)	4	a + c fully loaded	10 8483 060 002 026	10 8483 060 002 050
	78 (3 x 26)	2	a + c fully loaded	10 8483 078 002 026	10 8483 078 002 050
3.0 mm (Y) Right Angled	6 (3 x 2)	10	a + c fully loaded	10 8483 006 003 026	10 8483 006 003 050
	24 (3 x 8)	8	a + c fully loaded	10 8483 024 003 026	10 8483 024 003 050
	42 (3 x 14)	6	a + c fully loaded	10 8483 042 003 026	10 8483 042 003 050
	60 (3 x 20)	4	a + c fully loaded	10 8483 060 003 026	10 8483 060 003 050
	78 (3 x 26)	2	a + c fully loaded	10 8483 078 003 026	10 8483 078 003 050
11.3mm (Y) Right Angled	6 (3 x 2)	10	a + c fully loaded	10 8483 006 004 026	10 8483 006 004 050
	24 (3 x 8)	8	a + c fully loaded	10 8483 024 004 026	10 8483 024 004 050
	42 (3 x 14)	6	a + c fully loaded	10 8483 042 004 026	10 8483 042 004 050
	60 (3 x 20)	4	a + c fully loaded	10 8483 060 004 026	10 8483 060 004 050
	78 (3 x 26)	2	a + c fully loaded	10 8483 078 004 026	10 8483 078 004 050
Solder eyelet rows a + c 4.8 mm row b 7.5 mm	6 (3 x 2)	10	a + c fully loaded	10 8483 006 005 026	10 8483 006 005 050
	24 (3 x 8)	8	a + c fully loaded	10 8483 024 005 026	10 8483 024 005 050
	42 (3 x 14)	6	a + c fully loaded	10 8483 042 005 026	10 8483 042 005 050
	60 (3 x 20)	4	a + c fully loaded	10 8483 060 005 026	10 8483 060 005 050
	78 (3 x 26)	2	a + c fully loaded	10 8483 078 005 026	10 8483 078 005 050

NB: Additional Plating & Loading Variations: Please contact your local AVX sales office or distributor.

LOADING DESCRIPTION



DIMENSIONS



See Page 45 for board layout

Female Style M

Series 8483 – a + c loaded



Contact Design and Termination Length	No. of Cavities For Signal Contacts	No. of Cavities for Special Contacts	Loading Description	Part Number Performance classes according to DIN 41612	
				II	I
4.5 mm (Y) Straight	6 (3 x 2)	10	a + c fully loaded	20 8483 006 001 026	20 8483 006 001 050
	24 (3 x 8)	8	a + c fully loaded	20 8483 024 001 026	20 8483 024 001 050
	42 (3 x 14)	6	a + c fully loaded	20 8483 042 001 026	20 8483 042 001 050
	60 (3 x 20)	4	a + c fully loaded	20 8483 060 001 026	20 8483 060 001 050
	78 (3 x 26)	2	a + c fully loaded	20 8483 078 001 026	20 8483 078 001 050
2.9 mm (Y) Straight	6 (3 x 2)	10	a + c fully loaded	20 8483 006 002 026	20 8483 006 002 050
	24 (3 x 8)	8	a + c fully loaded	20 8483 024 002 026	20 8483 024 002 050
	42 (3 x 14)	6	a + c fully loaded	20 8483 042 002 026	20 8483 042 002 050
	60 (3 x 20)	4	a + c fully loaded	20 8483 060 002 026	20 8483 060 002 050
	78 (3 x 26)	2	a + c fully loaded	20 8483 078 002 026	20 8483 078 002 050
13.0 mm (Y) Straight	6 (3 x 2)	10	a + c fully loaded	20 8483 006 003 026	20 8483 006 003 050
	24 (3 x 8)	8	a + c fully loaded	20 8483 024 003 026	20 8483 024 003 050
	42 (3 x 14)	6	a + c fully loaded	20 8483 042 003 026	20 8483 042 003 050
	60 (3 x 20)	4	a + c fully loaded	20 8483 060 003 026	20 8483 060 003 050
	78 (3 x 26)	2	a + c fully loaded	20 8483 078 003 026	20 8483 078 003 050

NB: Additional Plating & Loading Variations: Please contact your local AVX sales office or distributor.

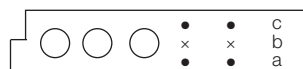
LOADING DESCRIPTION



10 contacts,
rows a + c fully loaded



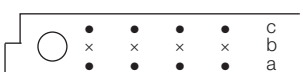
8 contacts,
rows a + c fully loaded



6 contacts,
rows a + c fully loaded

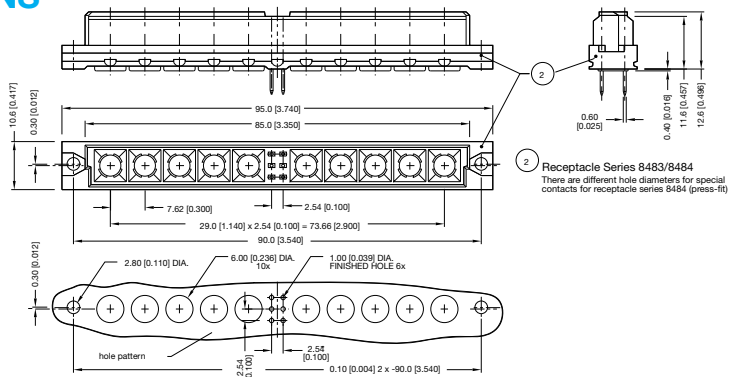


4 contacts,
rows a + c fully loaded



2 contacts,
rows a + c fully loaded

DIMENSIONS



CONTACT ARRANGEMENT		max pin counts
variations receptacle (mating side)		
a	31 28 25 22 19 17 16 14 11 8 5 2	78+ max 2 special contacts
b		60+ max 4 special contacts
c		42+ max 6 special contacts
a		24+ max 8 special contacts
b		6+ max 10 special contacts
c		

See Page 45 for board layout



Компания «ЭлектроПласт» предлагает заключение долгосрочных отношений при поставках импортных электронных компонентов на взаимовыгодных условиях!

Наши преимущества:

- Оперативные поставки широкого спектра электронных компонентов отечественного и импортного производства напрямую от производителей и с крупнейших мировых складов;
- Поставка более 17-ти миллионов наименований электронных компонентов;
- Поставка сложных, дефицитных, либо снятых с производства позиций;
- Оперативные сроки поставки под заказ (от 5 рабочих дней);
- Экспресс доставка в любую точку России;
- Техническая поддержка проекта, помощь в подборе аналогов, поставка прототипов;
- Система менеджмента качества сертифицирована по Международному стандарту ISO 9001;
- Лицензия ФСБ на осуществление работ с использованием сведений, составляющих государственную тайну;
- Поставка специализированных компонентов (Xilinx, Altera, Analog Devices, Intersil, Interpoint, Microsemi, Aeroflex, Peregrine, Syfer, Eurofarad, Texas Instrument, Miteq, Cobham, E2V, MA-COM, Hittite, Mini-Circuits, General Dynamics и др.);

Помимо этого, одним из направлений компании «ЭлектроПласт» является направление «Источники питания». Мы предлагаем Вам помощь Конструкторского отдела:

- Подбор оптимального решения, техническое обоснование при выборе компонента;
- Подбор аналогов;
- Консультации по применению компонента;
- Поставка образцов и прототипов;
- Техническая поддержка проекта;
- Защита от снятия компонента с производства.



Как с нами связаться

Телефон: 8 (812) 309 58 32 (многоканальный)

Факс: 8 (812) 320-02-42

Электронная почта: org@eplast1.ru

Адрес: 198099, г. Санкт-Петербург, ул. Калинина, дом 2, корпус 4, литера А.