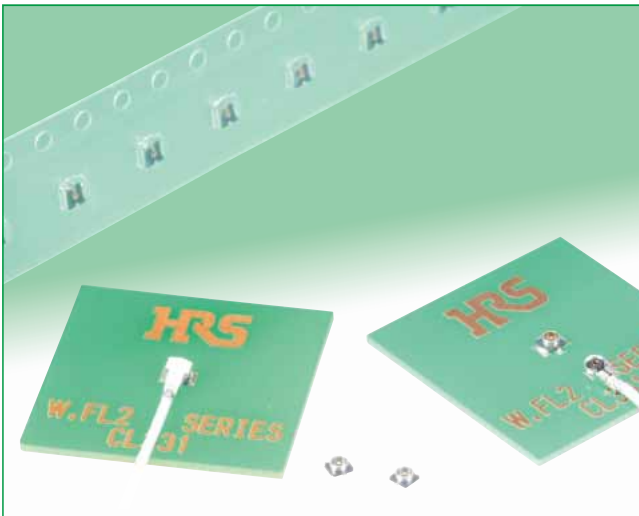


Ultra-Small Surface Mount Coaxial Connectors - 1.18mm Mated Height

W.FL2 Series



Occupied Mounting Area



Features

1. Nominal mated height of 1.18 mm (Max. 1.3 mm)

2. Small board footprint

As with X.FL, W.FL Series, the receptacles occupies an area of 3.4 mm² and share the same land pattern.

Note: The W.FL2 Series is not compatible with X.FL, W.FL Series.

3. Extremely light weight

The world's smallest and lightest class of coaxial connectors.

Receptacle: 5.0mg

Right angle plug: 16.7mg(062), 17.4mg(040), 15.3mg(032)

4. Frequency range up to 6 GHz

DC to 3 GHz: V.S.W.R. of 1.3 max.

3 GHz to 6 GHz: V.S.W.R. of 1.4 max.

5. Automatic board placement

Packaged on tape-and-reel the receptacles can be placed with vacuum nozzles of the automatic placement equipment.

6. Plugs are terminated with ultra-fine coaxial (fluorinated resin insulated) cable

The use of ultra-fine coaxial (fluorinated resin insulated) cables on these connectors offer the ability to complete connections in small, confined spaces with a smooth, easy operation.

7. Simple connector mating / un-mating

Use of the available mating / un-mating tools assures correct connection / disconnection of the plug and receptacle.

8. Halogen-free*(Receptacle, Plug(HF type))

*As defined by IEC61249-2-21

Br-900 ppm maximum, Cl-900 ppm maximum, Cl+Br combined-1,500 ppm maximum.

Mated height comparison (with W.FL Series)

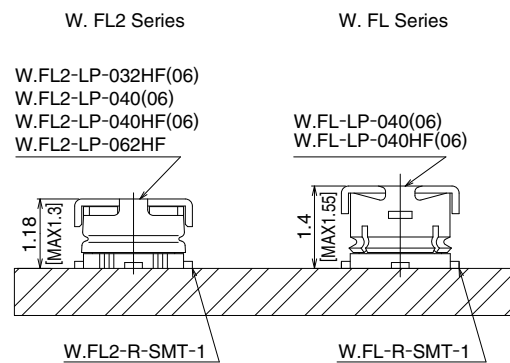


Fig.1

W.FL2 Plug and Receptacle

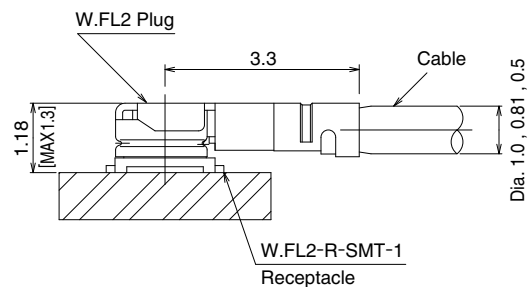


Fig.2

■ Specifications

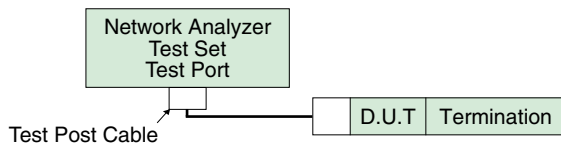
| | | | | |
|--------|----------------------------------|-------------|-----------------------------|-----------------------------------|
| Rating | Nominal characteristic impedance | 50Ω | Operating temperature range | -40°C to +90°C (90%RH max.) |
| | Frequency range | DC to 6 GHz | Storage temperature range | -30°C to +70°C (90%RH max.)Note 1 |

| Item | Specification |
|--------------------------|---|
| 1. Contact resistance | 20 mΩ max. (center contact), 10 mΩ max. (outer contact) |
| 2. Insulation resistance | 500 MΩ min., 100 V DC |
| 3. Withstanding voltage | 200 V AC / 1 minute |
| 4. V.S.W.R. | 1.3 max. (DC to 3 GHz) 1.4 max. (3 GHz to 6 GHz) |

* V.S.W.R. Measurement

as shown on the block diagram below.

Note: Verify connection and measurement setup.



Note1: Cable assembly measurements with SMA conversion adapters mated with W.FL2 plug at each end of the 100cm long ultra-fine coaxial cable.

Note2: Receptacles mounted on a 50 ohms glass epoxy board. Measurements were conducted with SMA conversion adapters attached.

Note1. The term “storage” refers to products stored for long period of time prior to mounting and use.

■ Materials

● Plugs – Right Angle

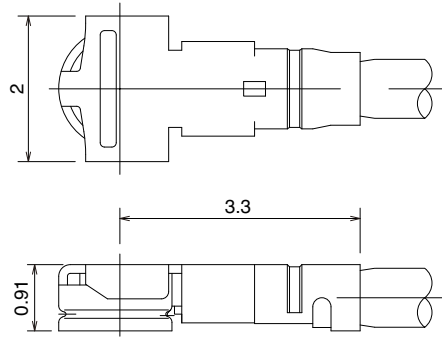
| Part | Material | Finish |
|-----------------------|-----------------|--------------------------------|
| Shell | Phosphor bronze | Silver plated/Gold plated(062) |
| Insulator | PBT | Color: Black, UL94V-0 |
| Insulator (HF type) | LCP | Color: Milky white, UL94V-0 |
| Female center contact | Phosphor bronze | Gold plated |

● Receptacle

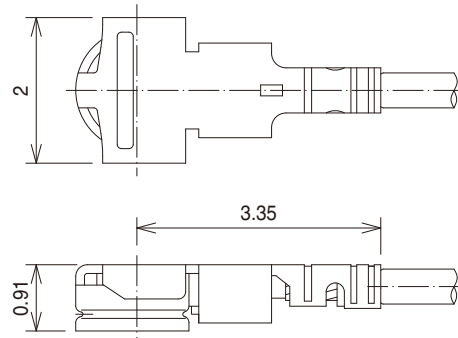
| Part | Material | Finish |
|---------------------|-----------------|-----------------------|
| Shell | Phosphor bronze | Silver plated |
| Insulator | LCP | Color: Black, UL94V-0 |
| Male center contact | Brass | Gold plated |

■ Cable Assembly(Plug)

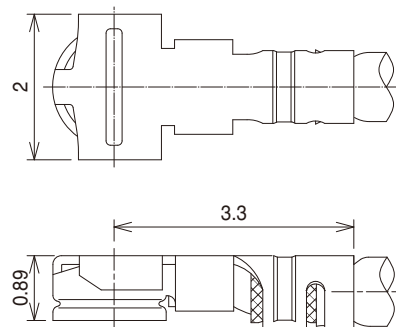
W.FL2-LP-040(06), W.FL2-LP-040HF(06) (Applicable cable : outer diameter 0.81)



W.FL2-LP-032HF(06) (Applicable cable : outer diameter 0.5)

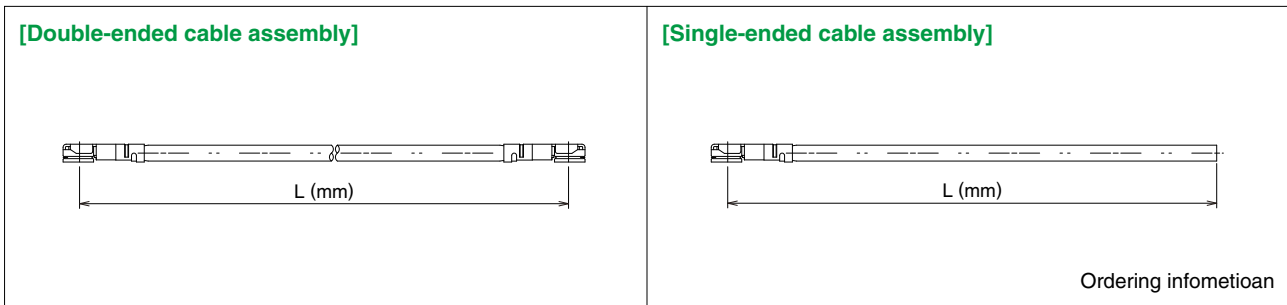


W.FL2-LP-062HF (Applicable cable : outer diameter 1.0)



[Plugs can be ordered only as terminated cable assemblies.]

How to specify Cable Assembly



Ordering information

Used plug: W.FL2-LP-040(06), W.FL2-LP-040HF(06)

Double-Ended **W.FL2 - 2LP - HF6 - 04N [] TV - A - (L)**

①
②
③
④
⑤
⑥
⑦

Single-Ended **W.FL2 - LP - HF6 - 04N [] TV - A - (L)**

①
②
③
④
⑤
⑥
⑦

Standard Tolerances for (L)

| (L)mm | Standard tolerance(mm) |
|----------------------|------------------------|
| *L=35 to 200 | ±4 |
| L=200 to 500 | ±8 |
| L=500 to 1000 | ±12 |
| L=Longer than 1000mm | ±1.5% of (L) |

Note: Minimum available length(L) is 35mm.

| | | | |
|---------------------------|--|-------------------------|---|
| ① Series name | : WFL2, W.FL2 | ④ Cable type | 04N: 0.81mm dia. ultra-fine coaxial cable |
| ② Assembly type | LP: Single ended 2LP: Double ended | ⑤ Cable color | 1: White, 2: Black |
| ③ Environmental compliant | HF6: Halogen-free 6: RoHS compliant | ⑥ Cable outer conductor | TV: Tin Plated braided wire |
| | | ⑦ Total length (mm) | Length(L) |

Used plug: W.FL2-LP-032HF(06)

Double-Ended **W.FL2 - 2LP - HF6 - 032N [] TS - A - (L)**

①
②
③
④
⑤
⑥
⑦

Single-Ended **W.FL2 - LP - HF6 - 032N [] TS - A - (L)**

①
②
③
④
⑤
⑥
⑦

| | | | |
|---------------------------|---------------------------------------|-------------------------|---|
| ① Series name | : WFL2, W.FL2 | ④ Cable type | 032N: 0.5mm dia. ultra-fine coaxial cable |
| ② Assembly type | LP: Single ended 2LP: Double ended | ⑤ Cable color | 1: White, 2: Black |
| ③ Environmental compliant | HF6: Halogen-free | ⑥ Cable outer conductor | TS: Tin Plated fiber or paper covered copper winding wire |
| | | ⑦ Total length (mm) | Length(L) |

Used plug: W.FL2-LP-062HF

Double-Ended **W.FL2 - 2LP - HF - 062N [] SC - A - (L)**

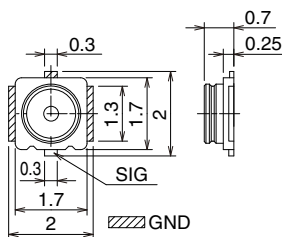
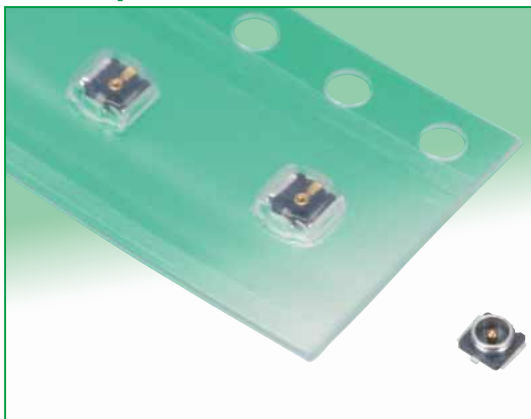
①
②
③
④
⑤
⑥
⑦

Single-Ended **W.FL2 - LP - HF - 062N [] SC - A - (L)**

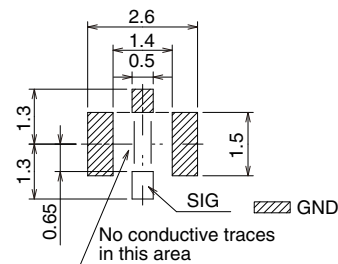
①
②
③
④
⑤
⑥
⑦

| | | | |
|---------------------------|---------------------------------------|-------------------------|--|
| ① Series name | : WFL2, W.FL2 | ④ Cable type | 062N: 1.0mm dia. ultra-fine coaxial cable |
| ② Assembly type | LP: Single ended 2LP: Double ended | ⑤ Cable color | 1: Gray, 2: Black, 3: White |
| ③ Environmental compliant | HF: Halogen-free | ⑥ Cable outer conductor | SC: Outer tin plated braided wire Inner conductor silver plated |
| | | ⑦ Total length (mm) | Length(L) |

Receptacles



Recommended PCB mounting pattern (Note 1)



Note 1: The land pattern is the same as that of the X.FL, W.FL series connectors.

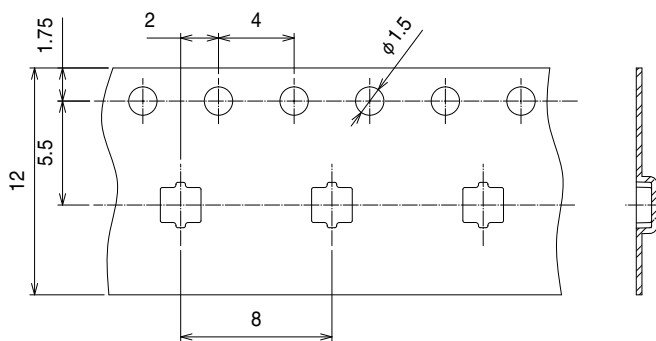
| Part No. | HRS No. | Packaging | RoHS |
|-------------------|---------------|------------------------|------|
| W.FL2-R-SMT-1(60) | 331-0315-4 60 | Reel (5,000 pcs/reel) | Yes |
| W.FL2-R-SMT-1(80) | 331-0315-4 80 | Reel (10,000 pcs/reel) | |

Embossed Carrier Tape Dimensions (IEC 60286-3 compliant)

Embossed Carrier Tape Dimensions

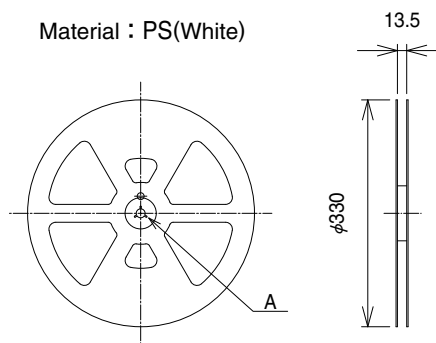
Embossed Carrier Tape Dimensions

(W.FL2-R-SMT-1(60) 8mm pitch)

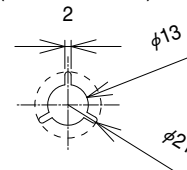


Reel Dimensions

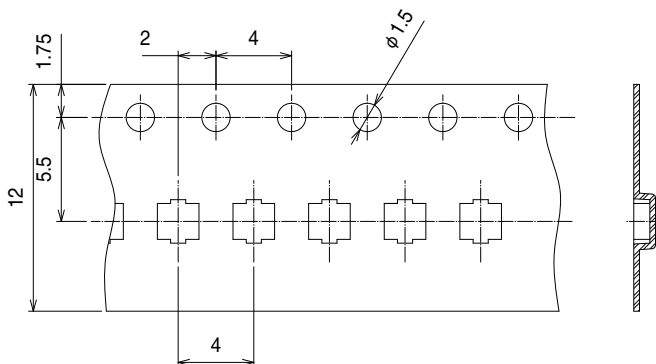
Material : PS(White)



A(SCALE FREE)



(W.FL2-R-SMT-1(80) 4mm pitch)

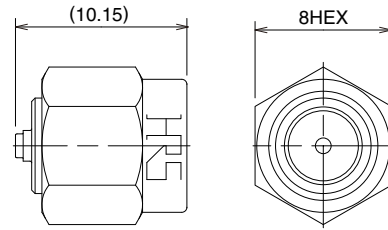


■ Conversion Adapters

● SMA Conversion Adapter (W.FL2 side jack – SMA side plug)



Note: Used for performance measurements only.
The W.FL2 mating side has lower retention force when mated with the corresponding part.



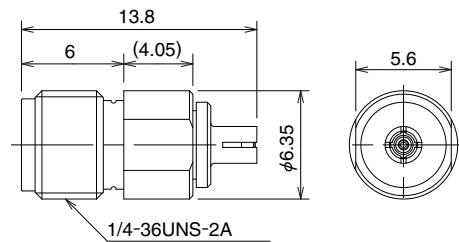
All dimensions: mm

| Part No. | HRS No. | Packaging | RoHS |
|-------------|------------|-----------|------|
| HRMP-W.FL2J | 311-0394-6 | 1 | Yes |

● SMA Conversion Adapter (W.FL2/W.FL side plug – SMA side jack)



Note: Used for performance measurements only.
The W.FL/W.FL2 mating side has lower retention force when mated with the corresponding part.



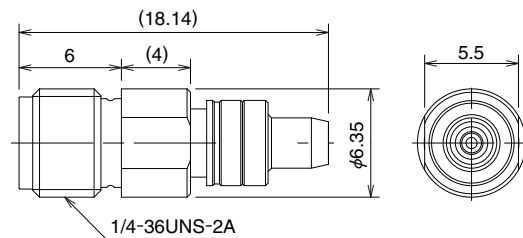
All dimensions: mm

| Part No. | HRS No. | Packaging | RoHS |
|----------------|---------------|-----------|------|
| HRMJ-W.FLP(40) | 311-0368-6 40 | 1 | Yes |

● SMA Conversion Adapter



Note: When mating with corresponding part (W.FL2-R-SMT-1) must be pressed down and held to make complete connection.

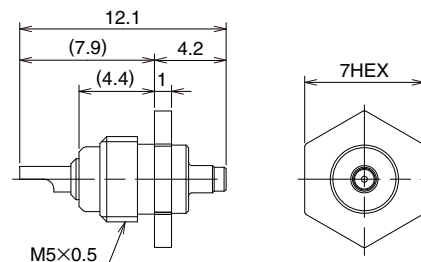
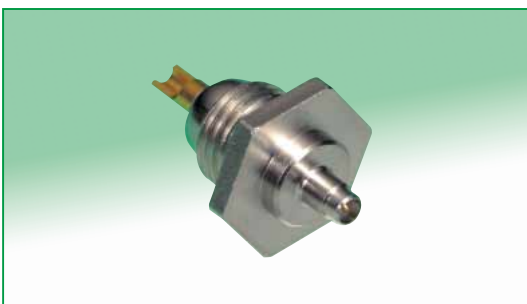


All dimensions: mm

| Part No. | HRS No. | Packaging | RoHS |
|-----------------|------------|-----------|------|
| HRMJ-W.FL2P-ST3 | 311-0417-0 | 1 | Yes |

■ Receptacle Inspection Adapter (W.FL2/W.FL)

Used for inspecting the performance parameters of the cable assembly.



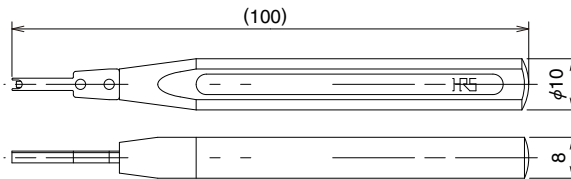
All dimensions: mm

| Part No. | HRS No. | Packaging | RoHS |
|----------|------------|-----------|------|
| W.FL-R-1 | 331-0483-9 | 1 | Yes |

Tools

● Plug - Mating (Space saving type)

This tool is used for mating a plug.

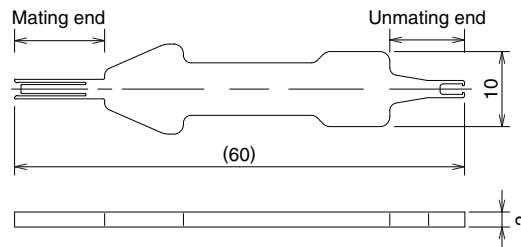
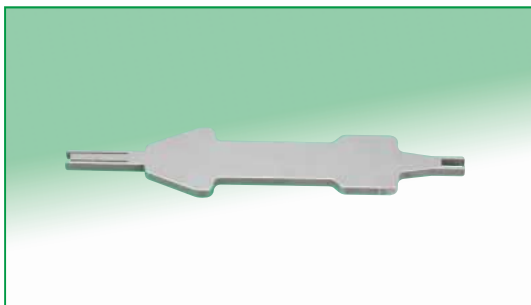


| Part No. | HRS No. | RoHS |
|------------|------------|------|
| W.FL-LP-IN | 331-0323-2 | Yes |

Note: Can be used with W.FL, X.FL plugs.

● Plug - Mating /Unmating (W.FL2-LP-040HF/032HF)

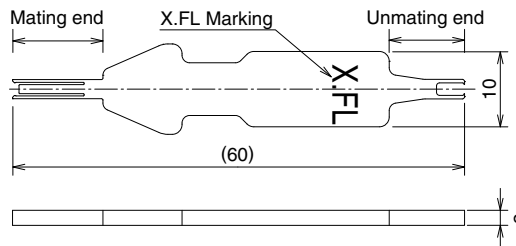
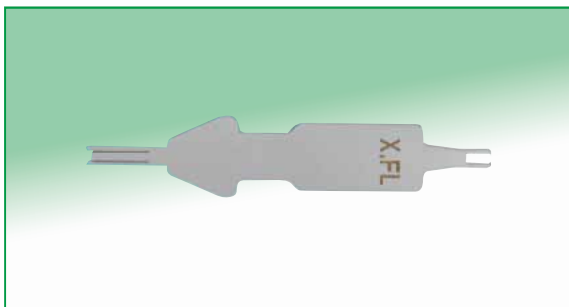
This tool is for mating and unmating a plug.



| Part No. | HRS No. | RoHS |
|-----------------|------------|------|
| W.FL2-LP-IN.OUT | 331-0321-7 | Yes |

● Plug-Mating/Unmating (W.FL2-LP-062HF)

This tool is for mating and unmating W.FL2-LP-062HF plug.

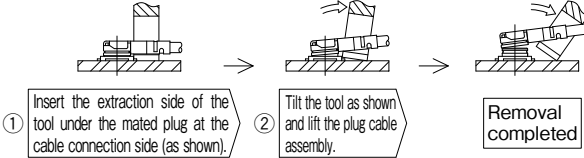
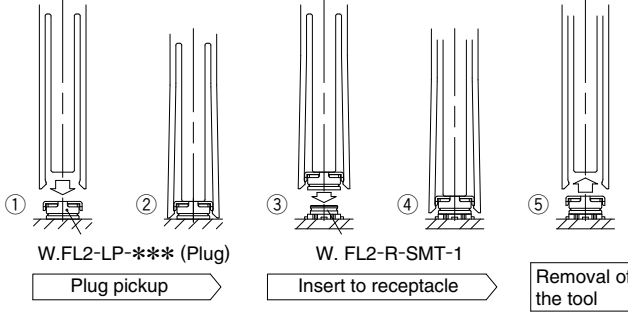
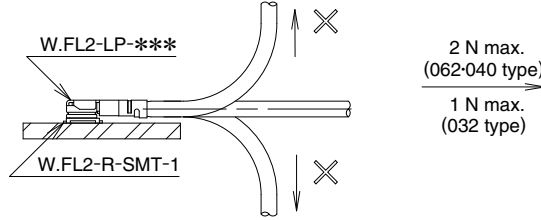


| Part No. | HRS No. | RoHS |
|-----------------|------------|------|
| X.FL-LP-IN.OUT1 | 331-0715-2 | Yes |

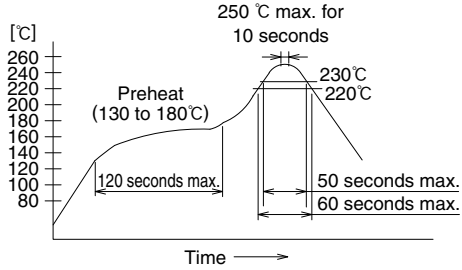
Note: Can be used with X.FL plug.

Precautions

1. Plugs

| | |
|--|---|
| <p>(1) Mating / Unmating</p> | <p>① To disconnect connectors, insert the extraction side of insertion and extraction jig and perform as described in the diagram below.</p> <p>• Unmating</p>  <p>• Mating</p> <p>① Align the mating axes of the plug and the receptacle. ② Confirm that the plug is positioned to be guided. (The both axes are aligned and the plug is positioned stably.) ③ Remove the tool by carefully pulling it up.</p>  <p>● Use of the extraction tool is absolutely mandatory. Any attempt of unmating by pulling on the cable may result in damage and affect the mechanical / electrical performance.</p> |
| <p>(2) Pull forces on the cable after connectors are mated</p> | <p>Do not apply any pull forces after the bending of the cable.</p>  |
| <p>(3) Precautions</p> | <p>Do not twist connectors excessively during mating / unmating.</p> |

2. Receptacles

| | |
|---|--|
| <p>(1) Recommended reflow temperature profile</p> |  <p>① The temperature of the printed circuit board surface temperature at the points of contact with the terminals. ② Reflow soldering should be performed at a printed circuit surface temperature of 250°C max. ③ In individual applications the actual temperature may vary, depending on the solder paste type, volume / thickness and board size / thickness. Consult your solder paste and equipment manufacturer for specific recommendations.</p> |
| <p>(2) Recommended metal mask thickness</p> | <p>0.1 mm to 0.12 mm</p> |
| <p>(3) Reflow cycles</p> | <p>2 times</p> |

3. Operating environment and storage conditions

| | |
|--|---|
| <p>(1) Operating environment</p> | <p>The connectors are not designed to operate in the following environments:</p> <ul style="list-style-type: none"> • Exposed to a excessive amounts of fine particles and dust • Regions and places having a high density of sulfur dioxide, hydrogen sulfide, nitrogen dioxide or other corrosive gasses. • Environments having large rapid variations in temperature. |
| <p>(2) Storage conditions - Receptacle</p> | <p>Store in the Hirose Electric packaging. Temperature: -10 to +40°C, Humidity: 85% max. Use within 6 months of delivery. Receptacles for which the storage period has elapsed must be tested for solderability to the PC board mounting surface.</p> |



HIROSE ELECTRIC CO.,LTD.

2-6-3,Nakagawa Chuoh,Tsuzuki-Ku,Yokohama-Shi 224-8540,JAPAN
 TEL: +81-45-620-3526 Fax: +81-45-591-3726
<http://www.hirose.com>
<http://www.hirose-connectors.com>



Компания «ЭлектроПласт» предлагает заключение долгосрочных отношений при поставках импортных электронных компонентов на взаимовыгодных условиях!

Наши преимущества:

- Оперативные поставки широкого спектра электронных компонентов отечественного и импортного производства напрямую от производителей и с крупнейших мировых складов;
- Поставка более 17-ти миллионов наименований электронных компонентов;
- Поставка сложных, дефицитных, либо снятых с производства позиций;
- Оперативные сроки поставки под заказ (от 5 рабочих дней);
- Экспресс доставка в любую точку России;
- Техническая поддержка проекта, помощь в подборе аналогов, поставка прототипов;
- Система менеджмента качества сертифицирована по Международному стандарту ISO 9001;
- Лицензия ФСБ на осуществление работ с использованием сведений, составляющих государственную тайну;
- Поставка специализированных компонентов (Xilinx, Altera, Analog Devices, Intersil, Interpoint, Microsemi, Aeroflex, Peregrine, Syfer, Eurofarad, Texas Instrument, Miteq, Cobham, E2V, MA-COM, Hittite, Mini-Circuits, General Dynamics и др.);

Помимо этого, одним из направлений компании «ЭлектроПласт» является направление «Источники питания». Мы предлагаем Вам помощь Конструкторского отдела:

- Подбор оптимального решения, техническое обоснование при выборе компонента;
- Подбор аналогов;
- Консультации по применению компонента;
- Поставка образцов и прототипов;
- Техническая поддержка проекта;
- Защита от снятия компонента с производства.



Как с нами связаться

Телефон: 8 (812) 309 58 32 (многоканальный)

Факс: 8 (812) 320-02-42

Электронная почта: org@eplast1.ru

Адрес: 198099, г. Санкт-Петербург, ул. Калинина, дом 2, корпус 4, литера А.