

LTC6604-2.5, LTC6604-5, LTC6604-10 and LTC6604-15
 Dual, Matched, Fully-Differential, Lowpass Filter

DESCRIPTION

Demonstration circuit 1418 features the LT6604-XX series of a dual, matched, fully differential 4th order lowpass filter approximating a Chebyshev frequency response. The cutoff frequencies (F_c) of LT6604-XX are: 2.5MHz, 5MHz, 10MHz and 15MHz. (see Table 1). The LT6604-XX combines a lowpass filter with two fully differential matched amplifiers for driving the differential inputs of a dual analog to Digital Converter (ADC) and band-limiting the baseband signal of digital communications receiver. Each LT6604-XX filter IC requires only two external input resistors to set the filter's differential gain. A DC1418 board contains an LT6604-XX configured with input resistors as two unity gain differential amplifiers/lowpass filters.

Gains greater than one require changing the input resistors to a lower value (refer to an LTC6604-XX data sheet and the DC1418 schematic).

Connection to the differential input and output of a DC1418 is through SMA connectors. On-board jumpers configure the DC1418 for dual or single supply operation and internal or external output common (VOCM) mode biasing. The differential input of a DC1418 is AC coupled and can be configured for DC coupling by replacing shorting the input capacitors with zero ohms surface-mount resistor jumpers. In addition, the DC1418 has surface-mount pads to add input passive components for input signal filtering and DC biasing.

Design files for this circuit board are available.

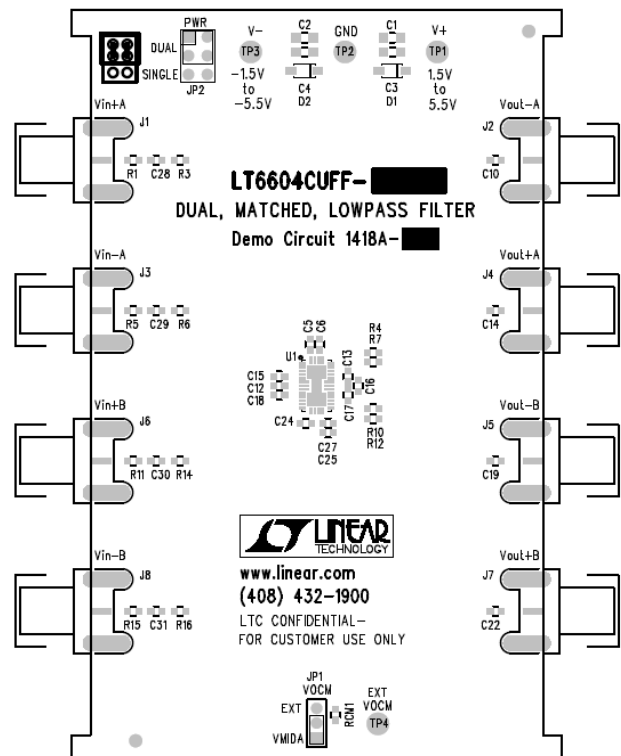
Call the LTC factory.

LT, LTC and LT are registered trademarks of Linear Technology Corporation.

Table 1. The DC1418 Assemblies

ASSEMBLY	
DC1418A-A	LTC6604-2.5, $F_c = 2.5\text{MHz}$
DC1418A-B	LTC6604-5, $F_c = 5\text{MHz}$
DC1418A-C	LTC6604-10, $F_c = 10\text{MHz}$
DC1418A-D	LTC6604-15, $F_c = 15\text{MHz}$

Figure 1. The DC1418 Top Silk Screen



QUICK TEST SET UP



Figure 2. Dual Supply Test Set Up Connections
(set the JP1 shunt to VMIDA and the JP2 shunt to DUAL).

Quick Test Procedure

A DC1418 has two pairs of differential inputs, Vin+A/Vin-A and Vin+B/Vin-B and two pairs of differential outputs Vout-A /Vout+A and Vout-B/Vout-B.

1. Testing the VinA to VoutA Signal Path.

Connect a DC1418 board as shown in Figure 2 (connect signal generator to Vin+A and terminate Vin-A with a 50 ohm terminator). Set the generator for a 1MHz, 2Vp-p, and sinewave. The oscilloscope channels connected to Vout-A and Vout+A show a 1MHz, 1Vp-p, sinewave (see Note 1).

2. Testing the VinB to VoutB Signal Path.

Connect signal generator to Vin+B and terminate Vin-B with a 50 ohm terminator. Set the generator for a 1MHz, 2Vp-p, and sinewave. Connect oscilloscope channel 1 to Vout-B and channel 2 to Vout+B. The oscilloscope channels connected to Vout-B and Vout+B show a 1MHz, 1Vp-p, sinewave.

Note 1: For unity gain testing the DC1418 inputs must be ideally driven by a zero ohm source (the outputs of a high speed differential amplifier). However with the 50 ohm impedance of the generator's output and terminator is in series with the input resistors and the input to output gain is less than one.

Note 2: For single supply testing set the JP2 shunt to SINGLE.



CUSTOMER NOTICE
 LINEAR TECHNOLOGY HAS MADE A BEST EFFORT TO DESIGN A CIRCUIT THAT MEETS CUSTOMER-SUPPLIED SPECIFICATIONS; HOWEVER, IT REMAINS THE CUSTOMER'S RESPONSIBILITY TO VERIFY PROPER AND RELIABLE OPERATION IN THE ACTUAL APPLICATION. COMPONENT SUBSTITUTION AND PRINTED CIRCUIT BOARD LAYOUT MAY SIGNIFICANTLY AFFECT CIRCUIT PERFORMANCE OR RELIABILITY. CONTACT LINEAR TECHNOLOGY APPLICATIONS ENGINEERING FOR ASSISTANCE. THIS CIRCUIT IS PROPRIETARY TO LINEAR TECHNOLOGY AND SUPPLIED FOR USE WITH LINEAR TECHNOLOGY PARTS.

CONTRACT NO.	APPROVALS	DATE
	DRAWN: HELEN	3/21/08
	CHECKED:	
	APPROVED:	
	ENGINEER: PHELIP K.	3/21/08
	DESIGNER:	

10001M, Corvallis, OR 97331
 10001M, Corvallis, OR 97331
 10001M, Corvallis, OR 97331

LINEAR TECHNOLOGY

LT6604CUFF-2.5/10/15
 DUAL, MATCHED, LOWPASS FILTER

REV A

DC1418A - A/B/C/D

SCALE: FILENAME: SHEET 1 OF 1

*** Assy Table**

U1	LTC PART#	R3 / R6 / R14 / R16
- A	LT6604CUFF-2.5	1540 ohm
- B	LT6604CUFF-5	750 ohm
- C	LT6604CUFF-10	357 ohm
- D	LT6604CUFF-15	487 ohm

10001M, Corvallis, OR 97331
 10001M, Corvallis, OR 97331
 10001M, Corvallis, OR 97331

LINEAR TECHNOLOGY

LT6604CUFF-2.5/10/15
 DUAL, MATCHED, LOWPASS FILTER

REV A

DC1418A - A/B/C/D

SCALE: FILENAME: SHEET 1 OF 1

DC1418A General Parts List

Item	Qty	Reference	Part Description	Manufacturer / Part #
1	4	C1,C2,C3,C4	CAP., X5R 4.7µF 16V 0805	KEMET, C0805C475M4PAC
2	15	C5,C6,C12,C13,C15,C16, C17,C18,C24,C25,C27-C31	CAP., X7R 0.1µF 16V 0603	AVX, 0603YC104KAT
3	0	C7,C8,C11,C21,C23,C26(OPT)	CAP., 0603	
4	4	C10,C14,C19,C22	CAP., COG 10pF 25V 0603	AVX, 06033A100KAT
5	2	D1,D2	DIODE, schottky power rectifier SOD-123	ON-SEMI, MBR0520LT1G
6	1	JP1	HEADER, 3Pin 1 Row .079CC	SAMTEC, TMM-103-02-L-S
7	1	JP2	HEADER, .1 DOUBLE ROW, 2X3 PIN	SAMTEC, TSW-103-07-L-D
8	1	JP1	SHUNT, .079" Center	SAMTEC, 2SN-BK-G
9	1	JP2	SHUNT, .1" Center	SAMTEC, MNT-102-BK-G
10	8	J1-J8	CONN. SMA 50-OHM EDGE-LAUNCH	Amphenol Connex, 132357
11	4	TP1-TP4	TESTPOINT, TURRET, 065"	MILL-MAX 2308-2-00-80-00-07-0
12	1	RCM1	RES., CHIP, 1KΩ, 1%, 0603	VISHAY, CRCW06031K00FKEA
13	4	R1,R5,R11,R15	RES., CHIP, 0Ω, 0603	VISHAY, CRCW06030000Z0EA
14	4	R4,R7,R10,R12	RES., CHIP, 49.9Ω, 1%, 0603	VISHAY, CRCW060349R9FKEA

DC1418A-A

Item	Qty	Reference	Part Description	Manufacturer / Part #
1	1	DC1418A	DC1418A GENERAL BOM	
2	4	R3,R6,R14,R16	RES., CER. 1540Ω 1% 0603	VISHAY, CRCW06031K54FKEA
3	1	U1	IC, LT6604CUFF-2.5#PBF QFN	LINEAR TECH. LT6604CUFF-2.5#PBF
4	1		FAB, PRINTED CIRCUIT BOARD	DEMO CIRCUIT 1418A-A

DC1418A-B

Item	Qty	Reference	Part Description	Manufacturer / Part #
1	1	DC1418A	DC1418A GENERAL BOM	
2	4	R3,R6,R14,R16	RES., CER. 750Ω 1% 0603	VISHAY, CRCW0603750RFKEA
3	1	U1	I.C., LT6604CUFF-5#PBF, QFN	LINEAR TECH. LT6604CUFF-5#PBF
4	1		FAB, PRINTED CIRCUIT BOARD	DEMO CIRCUIT 1418A-B

DC1418A-C

Item	Qty	Reference	Part Description	Manufacturer / Part #
1	1	DC1418A	DC1418A GENERAL BOM	
2	4	R3,R6,R14,R16	RES., CER. 357Ω 1% 0603	VISHAY, CRCW0603357RFKEA
3	1	U1	I.C., LT6604CUFF-10#PBF, QFN	LINEAR TECH. LT6604CUFF-10#PBF
4	1		FAB, PRINTED CIRCUIT BOARD	DEMO CIRCUIT 1418A-C

DC1418A-D

Item	Qty	Reference	Part Description	Manufacturer / Part #
1	1	DC1418A	DC1418A GENERAL BOM	
2	4	R3,R6,R14,R16	RES., CER. 487Ω 1% 0603	VISHAY, CRCW0603487RFKEA
3	1	U1	I.C., LT6604CUFF-15#PBF, QFN	LINEAR TECH. LT6604CUFF-15#PBF
4	1		FAB, PRINTED CIRCUIT BOARD	DEMO CIRCUIT 1418A-D



Компания «ЭлектроПласт» предлагает заключение долгосрочных отношений при поставках импортных электронных компонентов на взаимовыгодных условиях!

Наши преимущества:

- Оперативные поставки широкого спектра электронных компонентов отечественного и импортного производства напрямую от производителей и с крупнейших мировых складов;
- Поставка более 17-ти миллионов наименований электронных компонентов;
- Поставка сложных, дефицитных, либо снятых с производства позиций;
- Оперативные сроки поставки под заказ (от 5 рабочих дней);
- Экспресс доставка в любую точку России;
- Техническая поддержка проекта, помощь в подборе аналогов, поставка прототипов;
- Система менеджмента качества сертифицирована по Международному стандарту ISO 9001;
- Лицензия ФСБ на осуществление работ с использованием сведений, составляющих государственную тайну;
- Поставка специализированных компонентов (Xilinx, Altera, Analog Devices, Intersil, Interpoint, Microsemi, Aeroflex, Peregrine, Syfer, Eurofarad, Texas Instrument, Miteq, Cobham, E2V, MA-COM, Hittite, Mini-Circuits, General Dynamics и др.);

Помимо этого, одним из направлений компании «ЭлектроПласт» является направление «Источники питания». Мы предлагаем Вам помощь Конструкторского отдела:

- Подбор оптимального решения, техническое обоснование при выборе компонента;
- Подбор аналогов;
- Консультации по применению компонента;
- Поставка образцов и прототипов;
- Техническая поддержка проекта;
- Защита от снятия компонента с производства.



Как с нами связаться

Телефон: 8 (812) 309 58 32 (многоканальный)

Факс: 8 (812) 320-02-42

Электронная почта: org@eplast1.ru

Адрес: 198099, г. Санкт-Петербург, ул. Калинина, дом 2, корпус 4, литера А.