



V4 83170 Dual-current 831708 Part number 83170805



- Nominal ratings 0.1 A to 10 A / 250 VAC
- Minimum rating 1 mA / 4 VDC
- Operating temperature up to +125 °C
- Conforming to standards EN 61058 and UL 1054
- Choice of actuators with 2 possible fixing positions

Part numbers

| Type | Function | Connections |
|------------------------------|----------------|-------------|
| 83170805 Dual-current 831708 | I (changeover) | W7A5 |

Specifications

Electrical characteristics

| | |
|------------------------------|-----|
| Rating nominal / 250 VAC (A) | 0,1 |
| Rating thermal / 250 VAC (A) | 6 |

Mechanical characteristics

| | |
|-------------------------------------|------------------------|
| Maximum operating force (N) | 1,5 |
| Min. Release force (N) | 0,3 |
| Maximum total travel force (N) | 1,8 |
| Max. permitted overtravel force (N) | 10 |
| Maximum rest position (mm) | 9,2 |
| Operating position (mm) | 8,4 \pm 0,3 |
| Max. differential travel mm | 0,15 |
| Min. overtravel (mm) | 0,5 |
| Ambient operating temperature (°C) | -20 \rightarrow +125 |
| Mechanical life (operations) | 10 ⁶ |
| Contact gap (mm) | 0,4 |
| Weight (g) | 1,7 |

Additional specifications

Components

Material

- Case : polyester UL 94 VO
- Button : Glass-filled polyamide
- Contacts : AgNi, gold-plated AgNi (dual-current)
- Terminals : cupro-nickel (except W7A5 in brass)

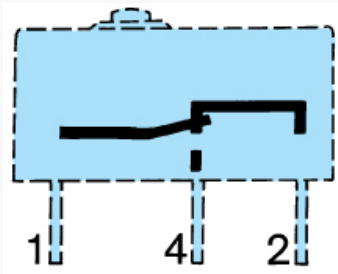
Levers

- Flat : stainless steel
- Roller : stainless steel, polyamide roller

Approvals

NF - UL - cUL

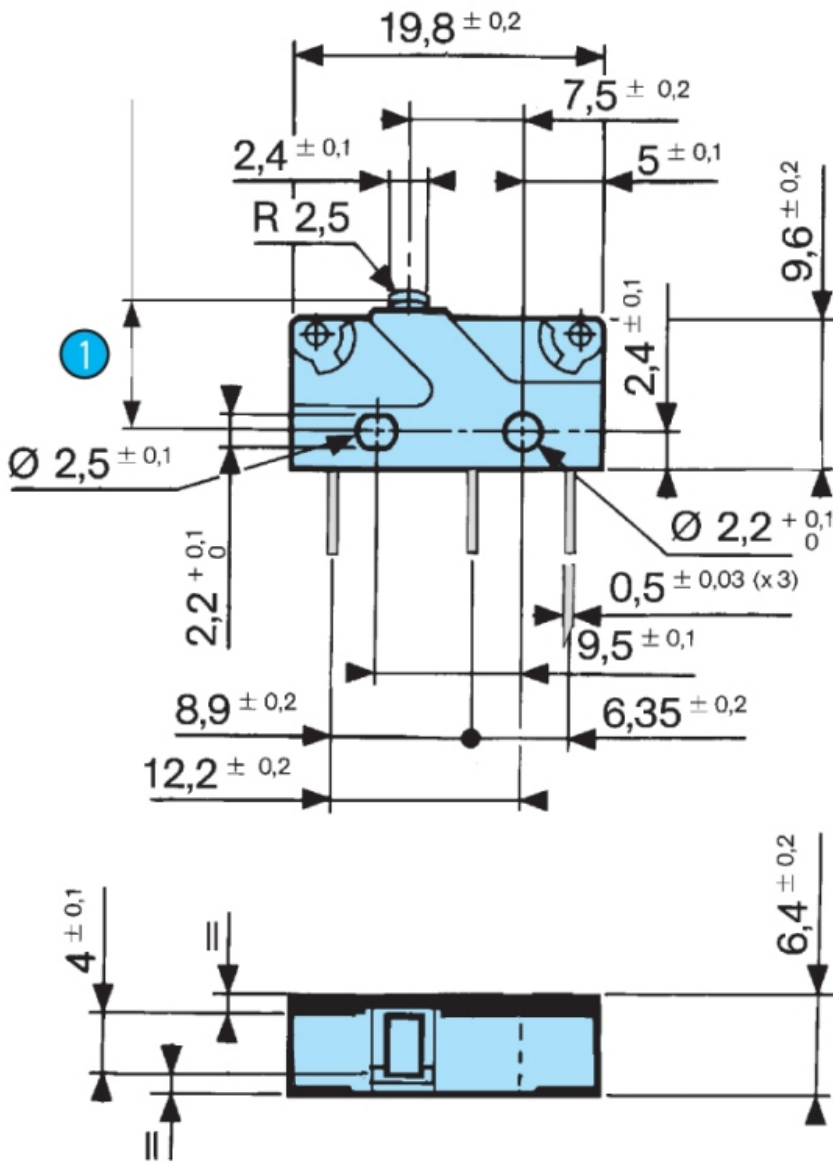
Principles



Dimensions (mm)

Product

83170
Asymmetrical version

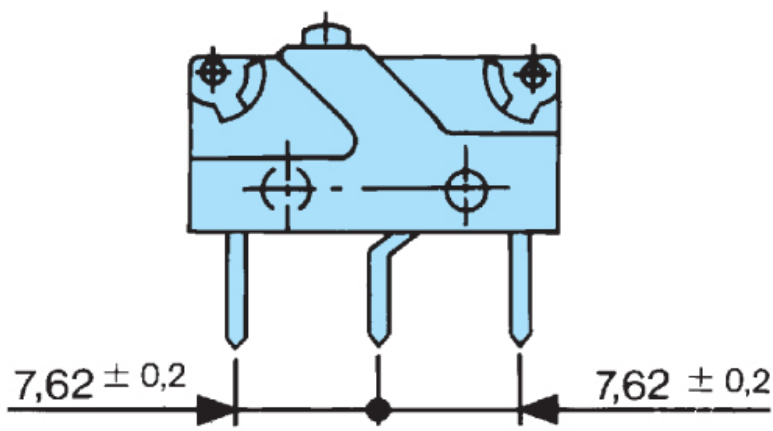


| N° | Legend |
|----|----------|
| 1 | OL = 7.6 |

Dimensions (mm)

Product

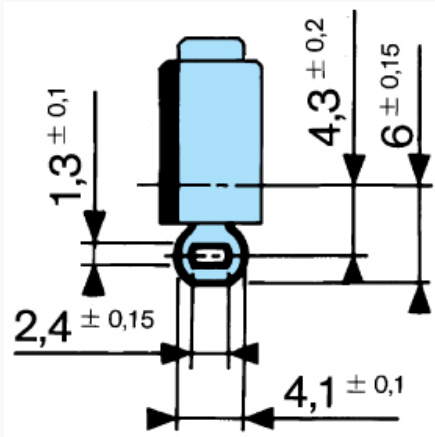
83170 Symmetrical version



Dimensions (mm)

Connections

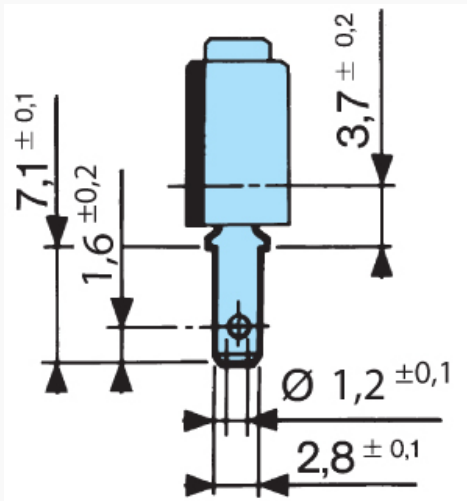
W2



Dimensions (mm)

Connections

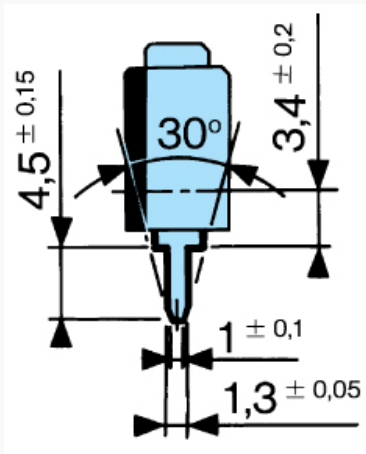
W7A5



Dimensions (mm)

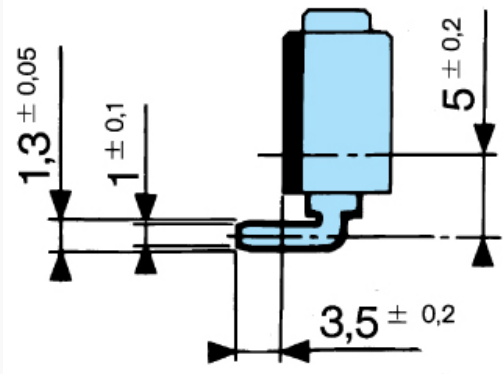
Connections

X1 - X1S



Dimensions (mm)

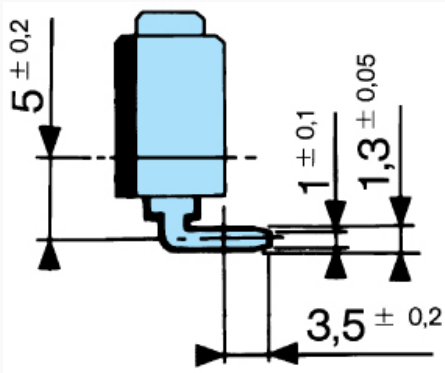
Connections



Dimensions (mm)

Connections

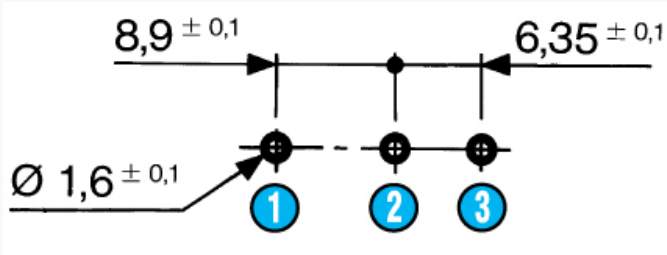
X3 - X3S



Dimensions (mm)

Drilling

Printed circuit board mounting
Asymmetrical X1 - X2 - X3

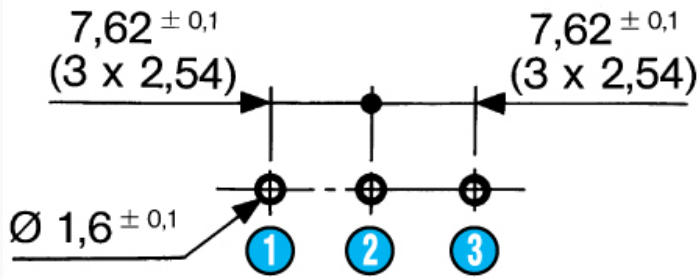


| N° | Legend |
|----|--------|
| 1 | 1.C |
| 2 | 4.NO |
| 3 | 2.NC |

Dimensions (mm)

Drilling

Printed circuit board mounting
Symmetrical X1S - X2S - X3S

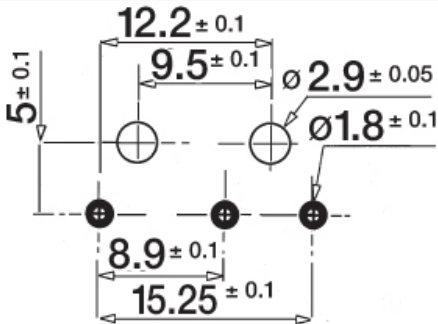


| N° | Legend |
|----|--------|
| 1 | 1.C |
| 2 | 4.NO |
| 3 | 2.NC |

Dimensions (mm)

Drilling

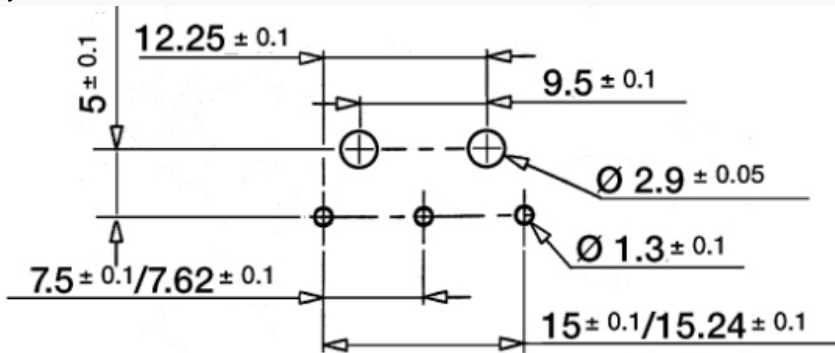
Mounting on a printed circuit board with fixing pins
Asymmetrical



Dimensions (mm)

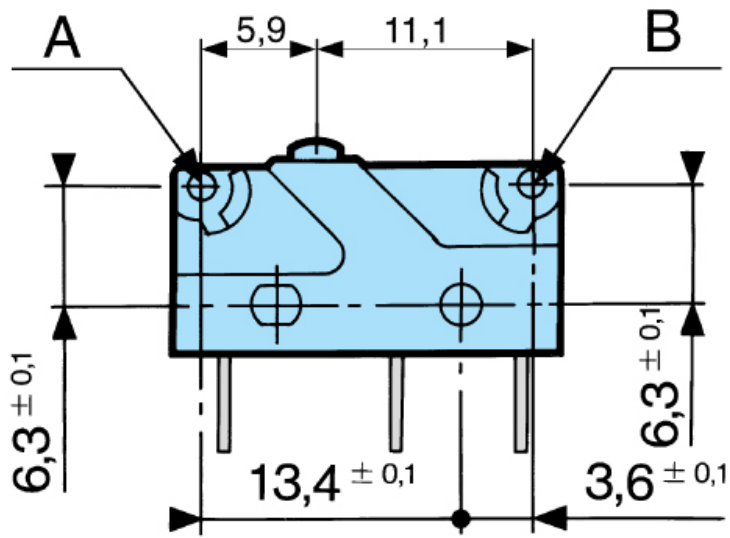
Drilling

Mounting on a printed circuit board with fixing pins
Symmetrical



Dimensions (mm)

Actuator mounting positions

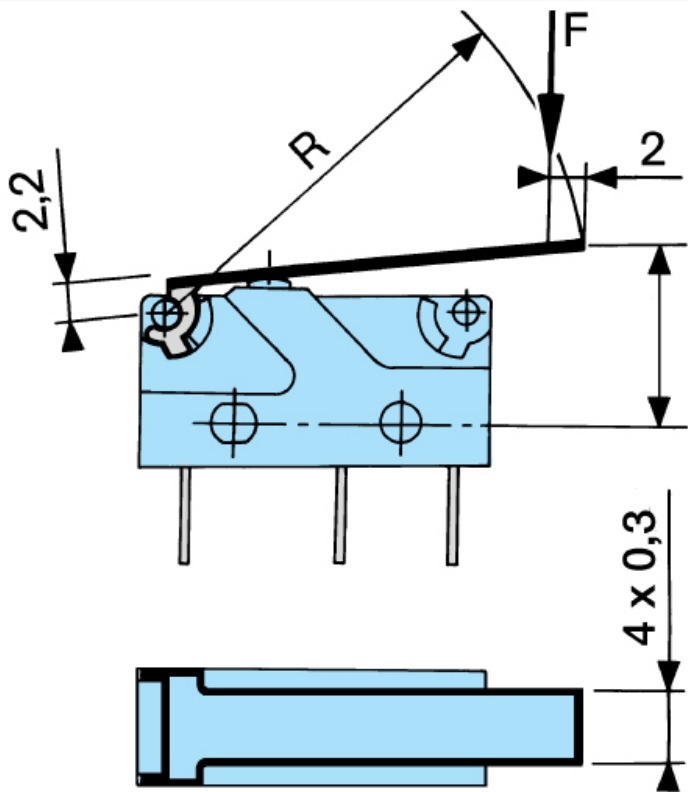


Fixing position Except where otherwise indicated, levers are supplied unmounted. For factory mounting, specify fixing position A or B. To calculate force : divide the switch force by the coefficient in the table. To calculate travel : multiply the switch travel by the same coefficient.

Dimensions (mm)

Actuators

170A

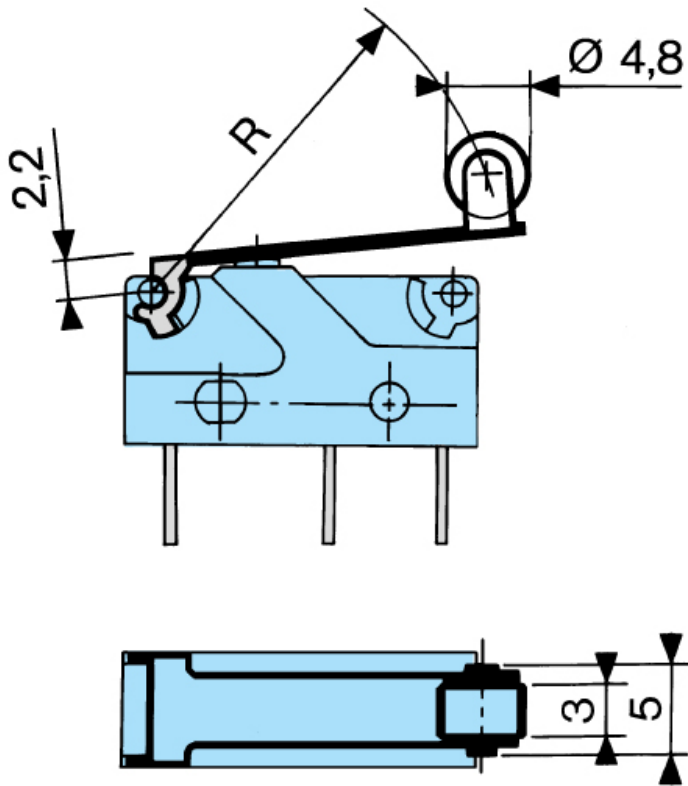


Fixing position Except where otherwise indicated, levers are supplied unmounted. For factory mounting, specify fixing position A or B. To calculate force : divide the switch force by the coefficient in the table. To calculate travel : multiply the switch travel by the same coefficient.

Dimensions (mm)

Actuators

170E

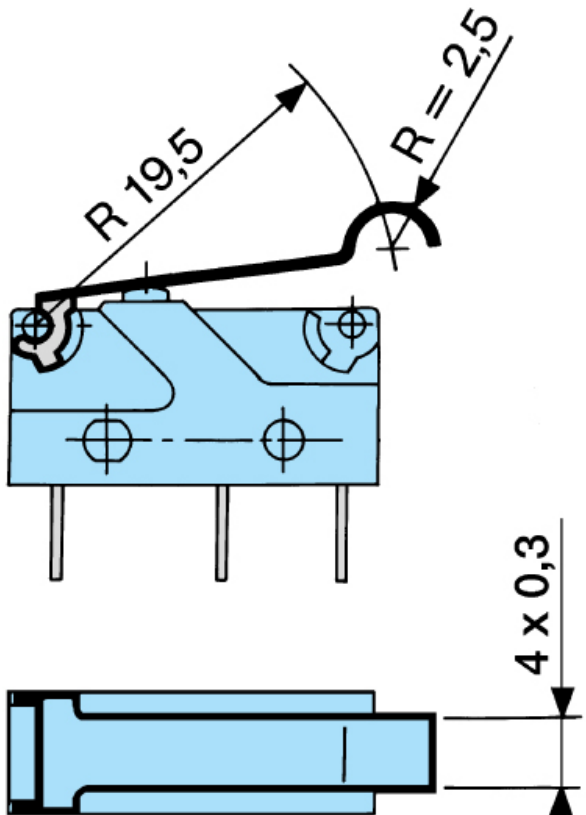


Fixing position Except where otherwise indicated, levers are supplied unmounted. For factory mounting, specify fixing position A or B. To calculate force : divide the switch force by the coefficient in the table. To calculate travel : multiply the switch travel by the same coefficient.

Dimensions (mm)

Actuators

170F

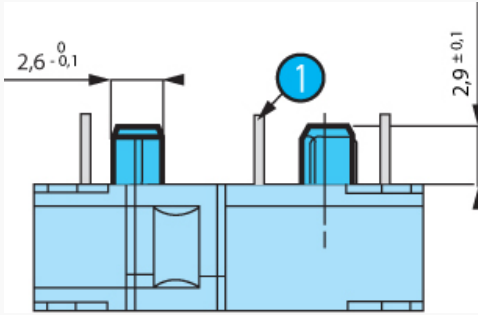


Fixing position Except where otherwise indicated, levers are supplied unmounted. For factory mounting, specify fixing position A or B. To calculate force : divide the switch force by the coefficient in the table. To calculate travel : multiply the switch travel by the same coefficient.

Dimensions (mm)

Actuators

Fixing pins



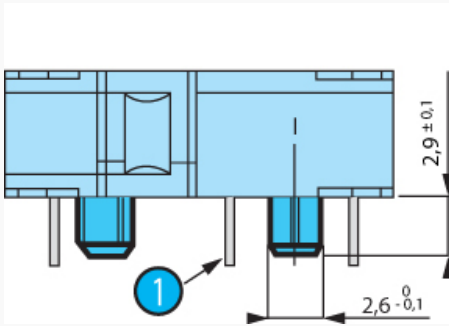
Fixing position Except where otherwise indicated, levers are supplied unmounted. For factory mounting, specify fixing position A or B. To calculate force : divide the switch force by the coefficient in the table. To calculate travel : multiply the switch travel by the same coefficient.

| N° | Legend |
|----|--------------------------|
| ① | Output on unit side : X2 |

Dimensions (mm)

Actuators

Fixing pins

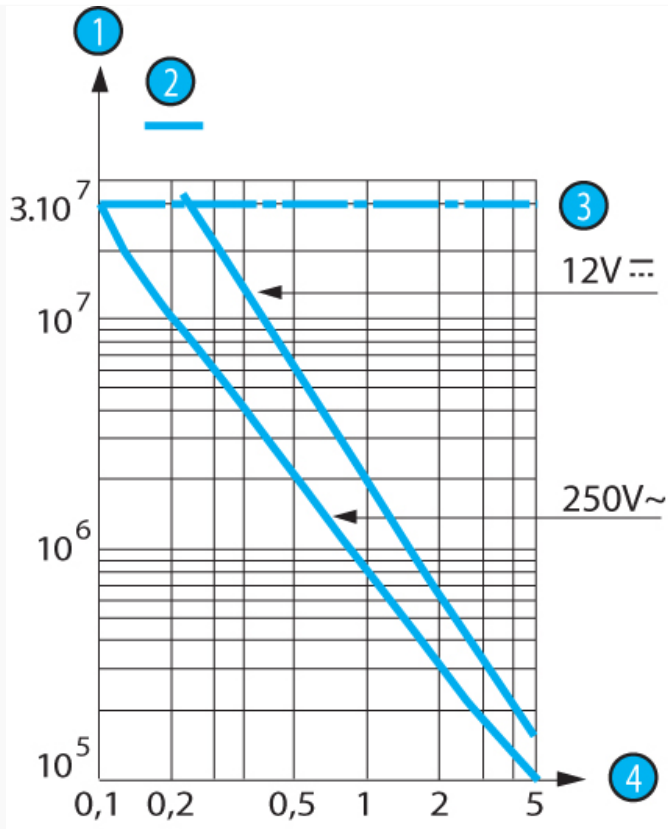


Fixing position Except where otherwise indicated, levers are supplied unmounted. For factory mounting, specify fixing position A or B. To calculate force : divide the switch force by the coefficient in the table. To calculate travel : multiply the switch travel by the same coefficient.

| N° | Legend |
|----|---------------------------|
| ① | Output on cover side : X3 |

Curves

Operating curve for types 831708 / 831709



Models 831708 and 831709 are designed to operate equally well on dual-current (1 mA 4 V minimum) or medium-current (5 A maximum) circuits. However, a given product should only be used to switch one type of circuit during its working life.

| N° | Legend |
|----|-----------------------|
| 1 | Number of cycles |
| 2 | Resistive circuit |
| 3 | Mechanical life limit |
| 4 | Current in Amps |

Connections

Actuators and fixing positions

| Part numbers for standard actuators | 79253327 | 79253326 | 79253328 | 79218454 | 79253329 | | | | | |
|-------------------------------------|--------------------------------------|---------------------|----------------------|-------------------|----------------------|----------------------|----------------------|----------------------|----------------------|----------------------|
| Actuators | Flat 170A R18.3 | Flat 170A R24 | Flat 170A R41 | Roller 170E R20 | Dummy roller 170F | | | | | |
| Fixing positions | | | | | | | | | | |
| Coefficient | A B | A B | A B | A B | A B | | | | | |
| Tripping point | 3 1.5 | 4 2 | 7 3.5 | 3 1.5 | 3 1.5 | | | | | |
| | 10 ^{±1.4} | 9.2 ^{±0.9} | 10.7 ^{±1.7} | 9.6 ^{±1} | 12.7 ^{±1.5} | 10.6 ^{±1.8} | 15.5 ^{±1.4} | 14.5 ^{±0.9} | 12.9 ^{±1.3} | 11.9 ^{±1.1} |
| Levers | | | | | | | | | | |
| | Characteristics available on request | | | | | | | | | |

Other information

Mounting - Operation

See basic technical concepts

Product adaptations



- Special levers
- Special connections



Компания «ЭлектроПласт» предлагает заключение долгосрочных отношений при поставках импортных электронных компонентов на взаимовыгодных условиях!

Наши преимущества:

- Оперативные поставки широкого спектра электронных компонентов отечественного и импортного производства напрямую от производителей и с крупнейших мировых складов;
- Поставка более 17-ти миллионов наименований электронных компонентов;
- Поставка сложных, дефицитных, либо снятых с производства позиций;
- Оперативные сроки поставки под заказ (от 5 рабочих дней);
- Экспресс доставка в любую точку России;
- Техническая поддержка проекта, помощь в подборе аналогов, поставка прототипов;
- Система менеджмента качества сертифицирована по Международному стандарту ISO 9001;
- Лицензия ФСБ на осуществление работ с использованием сведений, составляющих государственную тайну;
- Поставка специализированных компонентов (Xilinx, Altera, Analog Devices, Intersil, Interpoint, Microsemi, Aeroflex, Peregrine, Syfer, Eurofarad, Texas Instrument, Miteq, Cobham, E2V, MA-COM, Hittite, Mini-Circuits, General Dynamics и др.);

Помимо этого, одним из направлений компании «ЭлектроПласт» является направление «Источники питания». Мы предлагаем Вам помощь Конструкторского отдела:

- Подбор оптимального решения, техническое обоснование при выборе компонента;
- Подбор аналогов;
- Консультации по применению компонента;
- Поставка образцов и прототипов;
- Техническая поддержка проекта;
- Защита от снятия компонента с производства.



Как с нами связаться

Телефон: 8 (812) 309 58 32 (многоканальный)

Факс: 8 (812) 320-02-42

Электронная почта: org@eplast1.ru

Адрес: 198099, г. Санкт-Петербург, ул. Калинина, дом 2, корпус 4, литера А.