



## V4 83170 Dual-current 831708 Part number 83170805



- Nominal ratings 0.1 A to 10 A / 250 VAC
- Minimum rating 1 mA / 4 VDC
- Operating temperature up to +125 °C
- Conforming to standards EN 61058 and UL 1054
- Choice of actuators with 2 possible fixing positions

### Part numbers

| Type                         | Function       | Connections |
|------------------------------|----------------|-------------|
| 83170805 Dual-current 831708 | I (changeover) | W7A5        |

### Specifications

#### Electrical characteristics

|                              |     |
|------------------------------|-----|
| Rating nominal / 250 VAC (A) | 0,1 |
| Rating thermal / 250 VAC (A) | 6   |

#### Mechanical characteristics

|                                     |                        |
|-------------------------------------|------------------------|
| Maximum operating force (N)         | 1,5                    |
| Min. Release force (N)              | 0,3                    |
| Maximum total travel force (N)      | 1,8                    |
| Max. permitted overtravel force (N) | 10                     |
| Maximum rest position (mm)          | 9,2                    |
| Operating position (mm)             | 8,4 $\pm$ 0,3          |
| Max. differential travel mm         | 0,15                   |
| Min. overtravel (mm)                | 0,5                    |
| Ambient operating temperature (°C)  | -20 $\rightarrow$ +125 |
| Mechanical life (operations)        | 10 <sup>6</sup>        |
| Contact gap (mm)                    | 0,4                    |
| Weight (g)                          | 1,7                    |

### Additional specifications

#### Components

##### Material

- Case : polyester UL 94 VO
- Button : Glass-filled polyamide
- Contacts : AgNi, gold-plated AgNi (dual-current)
- Terminals : cupro-nickel (except W7A5 in brass)

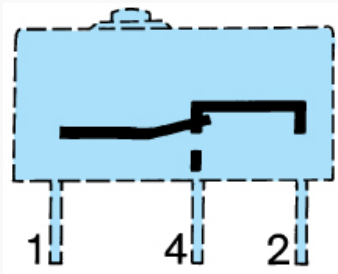
##### Levers

- Flat : stainless steel
- Roller : stainless steel, polyamide roller

##### Approvals

NF - UL - cUL

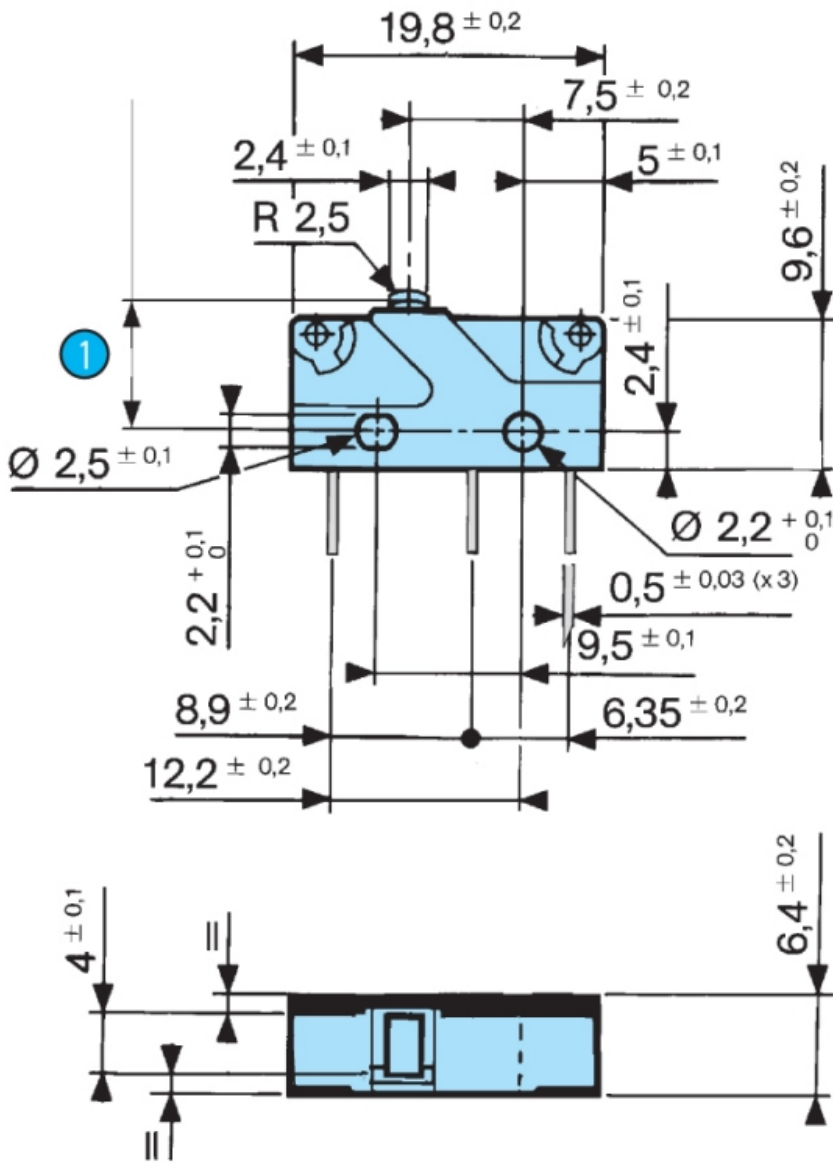
### Principles



### Dimensions (mm)

#### Product

83170  
Asymmetrical version

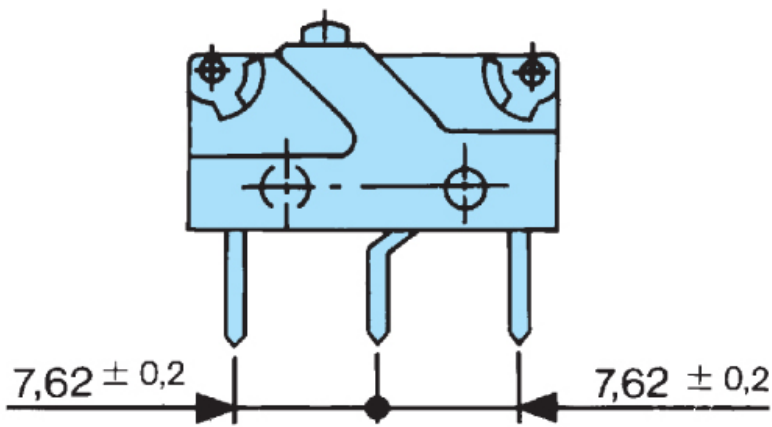


| N° | Legend   |
|----|----------|
| 1  | OL = 7.6 |

Dimensions (mm)

Product

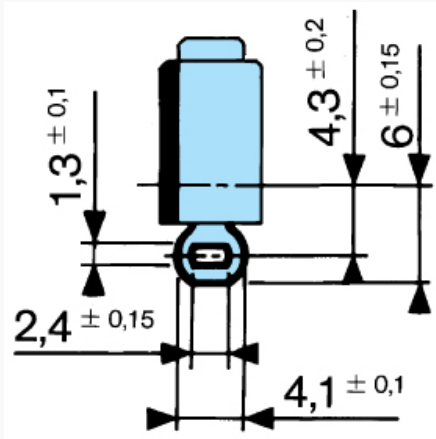
83170 Symmetrical version



Dimensions (mm)

Connections

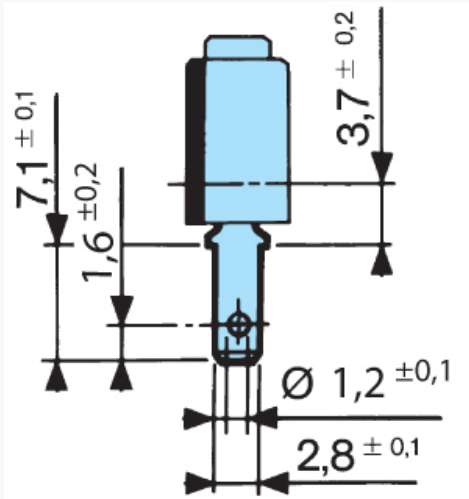
W2



Dimensions (mm)

Connections

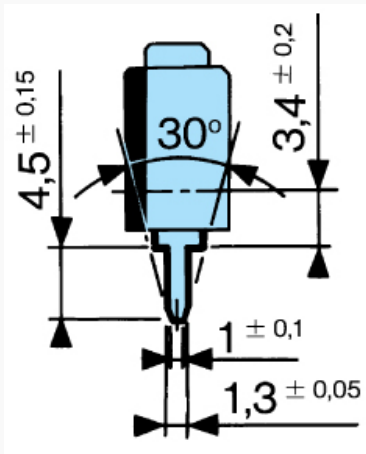
W7A5



Dimensions (mm)

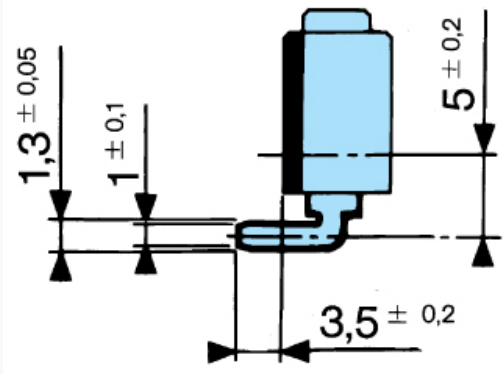
Connections

X1 - X1S



Dimensions (mm)

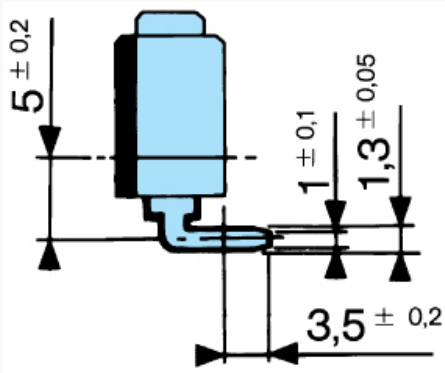
Connections



Dimensions (mm)

Connections

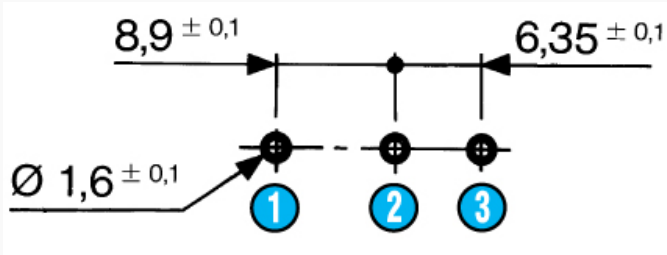
X3 - X3S



Dimensions (mm)

Drilling

Printed circuit board mounting  
Asymmetrical X1 - X2 - X3

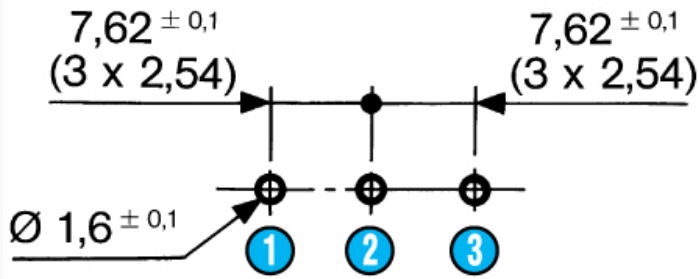


| N° | Legend |
|----|--------|
| 1  | 1.C    |
| 2  | 4.NO   |
| 3  | 2.NC   |

Dimensions (mm)

Drilling

Printed circuit board mounting  
Symmetrical X1S - X2S - X3S

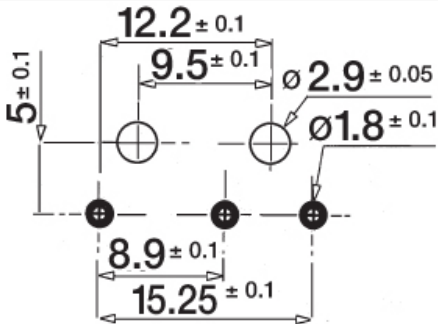


| N° | Legend |
|----|--------|
| 1  | 1.C    |
| 2  | 4.NO   |
| 3  | 2.NC   |

Dimensions (mm)

Drilling

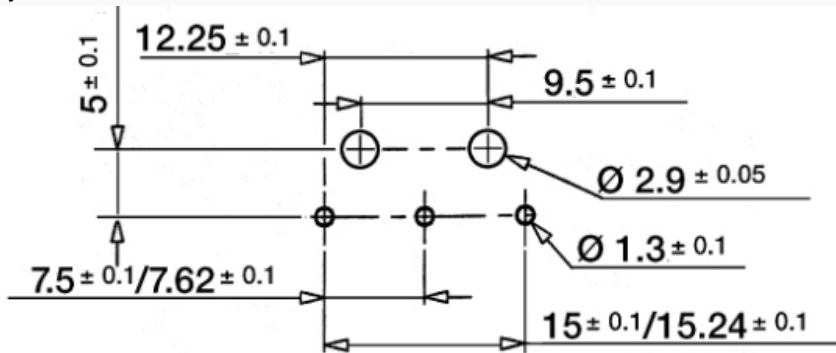
Mounting on a printed circuit board with fixing pins  
Asymmetrical



Dimensions (mm)

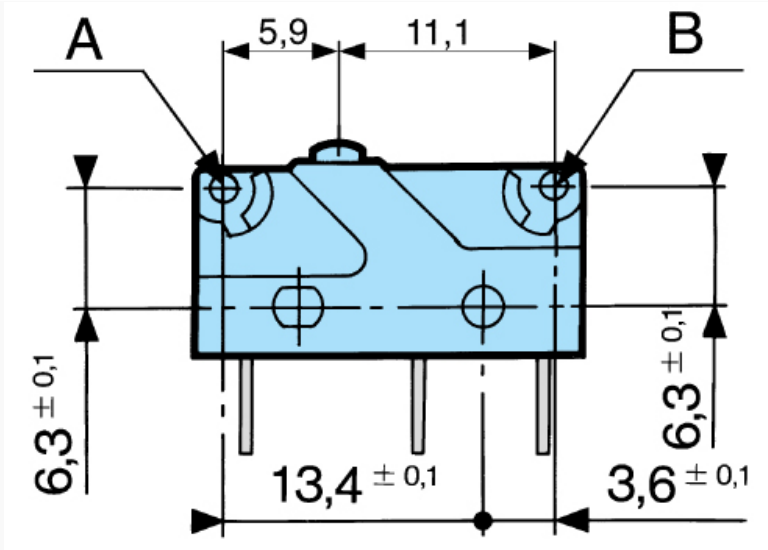
Drilling

Mounting on a printed circuit board with fixing pins  
Symmetrical



Dimensions (mm)

Actuator mounting positions

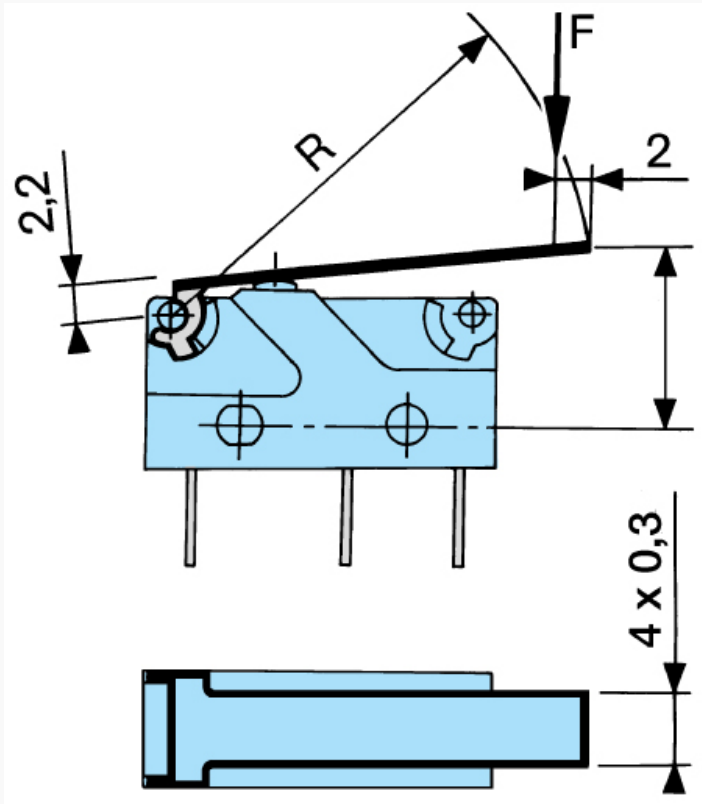


Fixing position Except where otherwise indicated, levers are supplied unmounted. For factory mounting, specify fixing position A or B. To calculate force : divide the switch force by the coefficient in the table. To calculate travel : multiply the switch travel by the same coefficient.

Dimensions (mm)

Actuators

170A

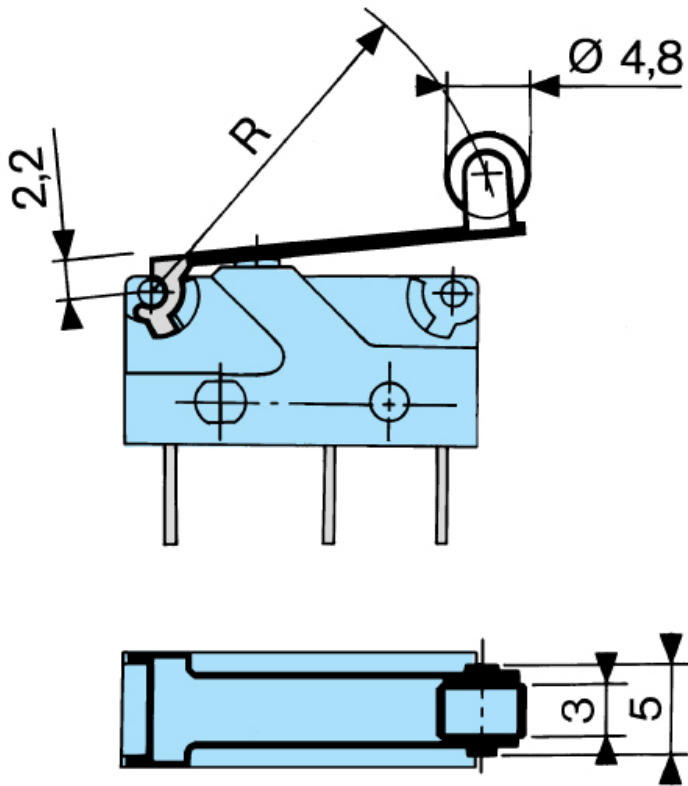


Fixing position Except where otherwise indicated, levers are supplied unmounted. For factory mounting, specify fixing position A or B. To calculate force : divide the switch force by the coefficient in the table. To calculate travel : multiply the switch travel by the same coefficient.

Dimensions (mm)

Actuators

170E

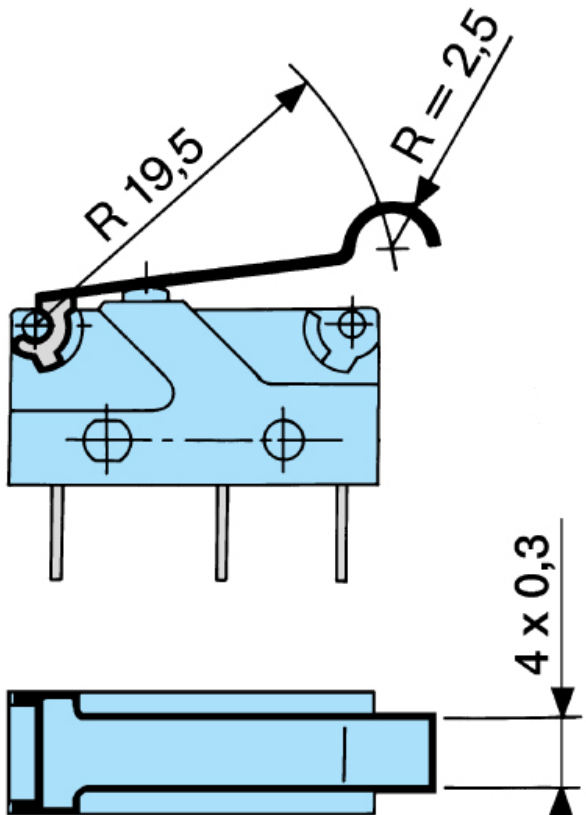


Fixing position Except where otherwise indicated, levers are supplied unmounted. For factory mounting, specify fixing position A or B. To calculate force : divide the switch force by the coefficient in the table. To calculate travel : multiply the switch travel by the same coefficient.

Dimensions (mm)

Actuators

170F

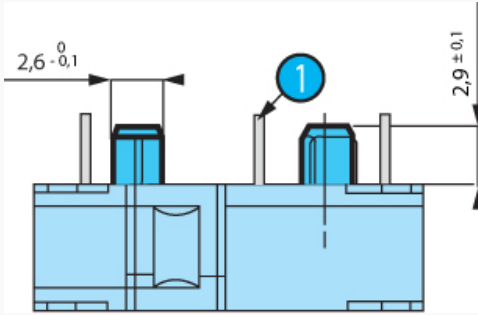


Fixing position Except where otherwise indicated, levers are supplied unmounted. For factory mounting, specify fixing position A or B. To calculate force : divide the switch force by the coefficient in the table. To calculate travel : multiply the switch travel by the same coefficient.

## Dimensions (mm)

## Actuators

## Fixing pins



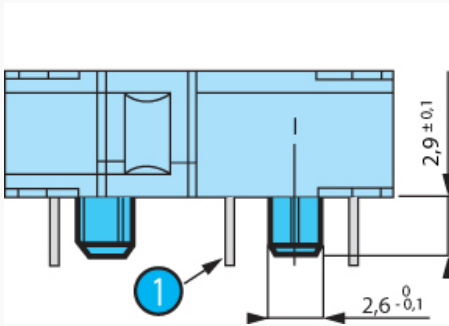
Fixing position Except where otherwise indicated, levers are supplied unmounted. For factory mounting, specify fixing position A or B. To calculate force : divide the switch force by the coefficient in the table. To calculate travel : multiply the switch travel by the same coefficient.

| N° | Legend                   |
|----|--------------------------|
| 1  | Output on unit side : X2 |

## Dimensions (mm)

## Actuators

## Fixing pins



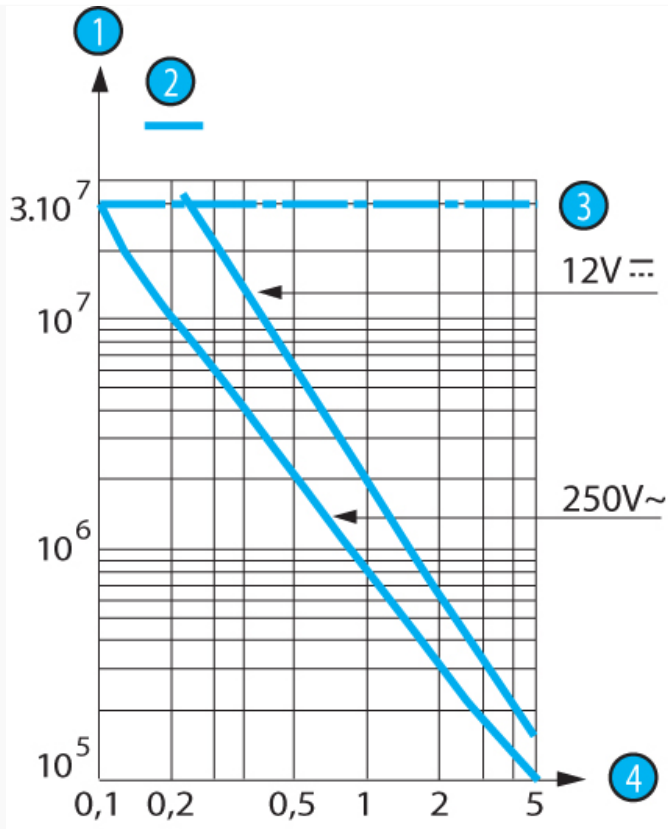
Fixing position Except where otherwise indicated, levers are supplied unmounted. For factory mounting, specify fixing position A or B. To calculate force : divide the switch force by the coefficient in the table. To calculate travel : multiply the switch travel by the same coefficient.

| N° | Legend                    |
|----|---------------------------|
| 1  | Output on cover side : X3 |

## Curves

## Operating curve for types 831708 / 831709





Models 831708 and 831709 are designed to operate equally well on dual-current (1 mA 4 V minimum) or medium-current (5 A maximum) circuits. However, a given product should only be used to switch one type of circuit during its working life.

| N° | Legend                |
|----|-----------------------|
| 1  | Number of cycles      |
| 2  | Resistive circuit     |
| 3  | Mechanical life limit |
| 4  | Current in Amps       |

Connections

Actuators and fixing positions

| Part numbers for standard actuators | 79253327                             | 79253326            | 79253328             | 79218454          | 79253329             |                      |                      |                      |                      |                      |
|-------------------------------------|--------------------------------------|---------------------|----------------------|-------------------|----------------------|----------------------|----------------------|----------------------|----------------------|----------------------|
| Actuators                           | Flat 170A R18.3                      | Flat 170A R24       | Flat 170A R41        | Roller 170E R20   | Dummy roller 170F    |                      |                      |                      |                      |                      |
| Fixing positions                    |                                      |                     |                      |                   |                      |                      |                      |                      |                      |                      |
| Coefficient                         | A B                                  | A B                 | A B                  | A B               | A B                  |                      |                      |                      |                      |                      |
| Tripping point                      | 3 1.5                                | 4 2                 | 7 3.5                | 3 1.5             | 3 1.5                |                      |                      |                      |                      |                      |
|                                     | 10 <sup>+1.4</sup>                   | 9.2 <sup>+0.9</sup> | 10.7 <sup>+1.7</sup> | 9.6 <sup>+1</sup> | 12.7 <sup>+1.5</sup> | 10.6 <sup>+1.8</sup> | 15.5 <sup>+1.4</sup> | 14.5 <sup>+0.9</sup> | 12.9 <sup>+1.3</sup> | 11.9 <sup>+1.1</sup> |
| Levers                              |                                      |                     |                      |                   |                      |                      |                      |                      |                      |                      |
|                                     | Characteristics available on request |                     |                      |                   |                      |                      |                      |                      |                      |                      |

Other information

Mounting - Operation

See basic technical concepts

Product adaptations



- Special levers
- Special connections



Компания «ЭлектроПласт» предлагает заключение долгосрочных отношений при поставках импортных электронных компонентов на взаимовыгодных условиях!

Наши преимущества:

- Оперативные поставки широкого спектра электронных компонентов отечественного и импортного производства напрямую от производителей и с крупнейших мировых складов;
- Поставка более 17-ти миллионов наименований электронных компонентов;
- Поставка сложных, дефицитных, либо снятых с производства позиций;
- Оперативные сроки поставки под заказ (от 5 рабочих дней);
- Экспресс доставка в любую точку России;
- Техническая поддержка проекта, помощь в подборе аналогов, поставка прототипов;
- Система менеджмента качества сертифицирована по Международному стандарту ISO 9001;
- Лицензия ФСБ на осуществление работ с использованием сведений, составляющих государственную тайну;
- Поставка специализированных компонентов (Xilinx, Altera, Analog Devices, Intersil, Interpoint, Microsemi, Aeroflex, Peregrine, Syfer, Eurofarad, Texas Instrument, Miteq, Cobham, E2V, MA-COM, Hittite, Mini-Circuits, General Dynamics и др.);

Помимо этого, одним из направлений компании «ЭлектроПласт» является направление «Источники питания». Мы предлагаем Вам помощь Конструкторского отдела:

- Подбор оптимального решения, техническое обоснование при выборе компонента;
- Подбор аналогов;
- Консультации по применению компонента;
- Поставка образцов и прототипов;
- Техническая поддержка проекта;
- Защита от снятия компонента с производства.



#### Как с нами связаться

**Телефон:** 8 (812) 309 58 32 (многоканальный)

**Факс:** 8 (812) 320-02-42

**Электронная почта:** [org@eplast1.ru](mailto:org@eplast1.ru)

**Адрес:** 198099, г. Санкт-Петербург, ул. Калинина, дом 2, корпус 4, литера А.