

### POWER MANAGEMENT

#### Description

The SC1189 combines a synchronous voltage mode controller with two low-dropout linear regulators providing most of the circuitry necessary to implement three DC/DC converters for powering advanced microprocessors such as Pentium®III.

The SC1189 switching section features an integrated 5 bit D/A converter, latched drive output for enhanced noise immunity, pulse by pulse current limiting and logic compatible shutdown. The SC1189 switching section operates at a fixed frequency of 200kHz, providing an optimum compromise between size, efficiency and cost in the intended application areas. The integrated D/A converter provides programmability of output voltage from 1.05V to 1.825V in 25mV increments with no external components.

The SC1189 linear sections are low dropout regulators with short circuit protection, supplying 1.25V for V<sub>tt</sub> and 2.5V for non-GTL I/O. They can be easily adjusted to supply higher voltages e.g. 1.8V chipset.

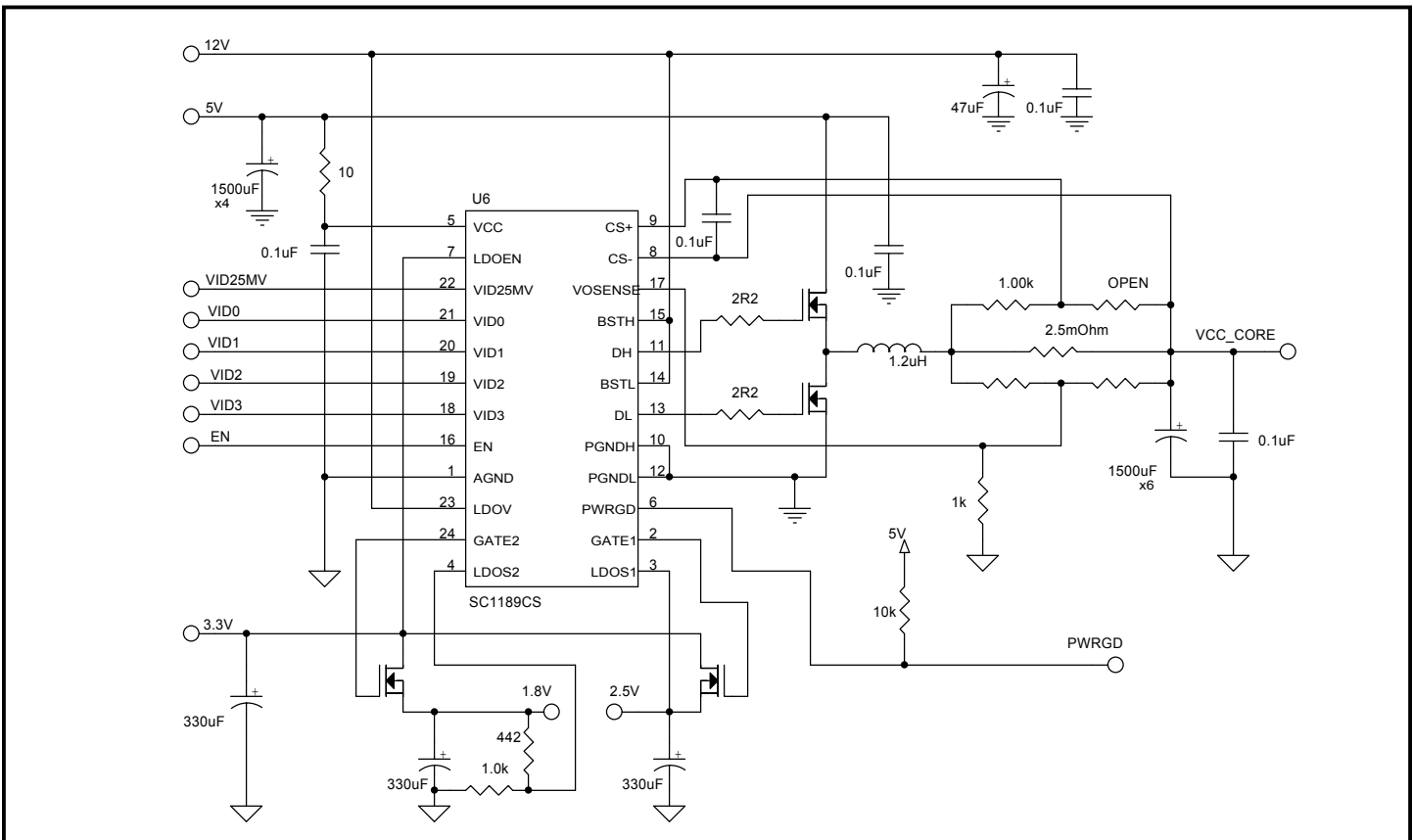
#### Features

- ◆ Synchronous design, enables no heatsink solution
- ◆ 95% efficiency (switching section)
- ◆ 5 bit DAC for output programmability
- ◆ Designed for Intel Pentium® III requirements
- ◆ 1.25V, 2.5V short circuit protected linear controllers
- ◆ Linear controllers adjustable to 1.8V chipset.
- ◆ VRM 8.5 Compliant
- ◆ VRM 8.4 Compliant (1.3V to 1.8V)
- ◆ 1.0% accuracy (1.6V to 1.8V)
- ◆ On Chip Power Good Signal
- ◆ Available in Lead free package, fully WEEE and RoHS compliant.

#### Applications

- ◆ Pentium® III microprocessor supplies
- ◆ 1.050V to 1.825V microprocessor supplies
- ◆ Programmable triple power supplies

#### Simplified Application Circuit



**POWER MANAGEMENT**
**Absolute Maximum Ratings**

Exceeding the specifications below may result in permanent damage to the device, or device malfunction. Operation outside of the parameters specified in the Electrical Characteristics section is not implied.

Parameter	Symbol	Maximum	Units
VCC to AGND	$V_{IN}$	-0.3 to +7	V
PGNDH, PGNDL to AGND		±1	V
BSTH to PGNDH, BSTL to PGNDL		-0.3 to +15	V
DH to PGNDH, DL to PGNDL (Note2)		-1 to +15	V
Operating Temperature Range	$T_A$	0 to +70	°C
Junction Temperature Range	$T_J$	0 to +125	°C
Storage Temperature Range	$T_{STG}$	-65 to +150	°C
Lead Temperature (Soldering) 10 Sec.	$T_{LEAD}$	300	°C
Thermal Resistance Junction to Ambient	$\theta_{JA}$	80	°C/W
Thermal Impedance Junction to Case	$\theta_{JC}$	25	°C/W

**Electrical Characteristics**

Unless specified:  $V_{CC} = 4.75V$  to  $5.25V$ ;  $GND = P_{GND} = 0V$ ;  $V_{OSENSE} = V_O$ ;  $0mV < (CS+ - CS-) < 60mV$ ;  $LDOV = 11.4V$  to  $12.6V$ ;  $T_A = 0$  to  $70^\circ C$

Parameter	Conditions	Min	Typ	Max	Units
<b>Switching Section</b>					
Output Voltage	$I_O = 2A$ in Application Circuit	See Output Voltage Table			
Supply Voltage	VCC	4.5		7	V
Supply Current	VCC = 5.0V		8	15	mA
Load Regulation	$I_O = 0.8A$ to $24A$		1		%
Line Regulation			+0.5		%
Current Limit Voltage		55	70	85	mV
Oscillator Frequency		170	200	230	kHz
Oscillator Max Duty Cycle		90	95		%
Peak DH Sink/Source Current	BSTH - DH = 4.5V, DH - PGNDH = 3.3V DH - PGNDH = 1.5V	2 1 100			A A mA
Peak DL Sink/Source Current	BSTL - DL = 4.5V, DL - PGNDL = 3.3V DL - PGNDL = 1.5V	2 1 100			A A mA
Gain ( $A_{OL}$ )	VOSENSE to $V_O$		35		dB
VID Source Current	$VIDx \leq 2.4V$	1	10		uA
VID Leakage	$VIDx = 3.3V$ $VIDx = 0V$			±10 100	μA μA
Power good threshold voltage		88		112	%
Dead Time		40	100		ns

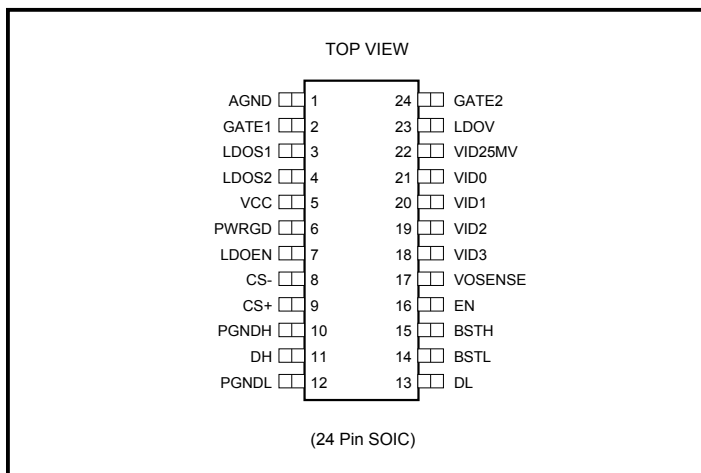
**POWER MANAGEMENT**
**Electrical Characteristics (Cont.)**

Unless specified:  $V_{CC} = 4.75V$  to  $5.25V$ ;  $GND = P_{GND} = 0V$ ;  $V_{OSENSE} = V_O$ ;  $0mV < (CS+ - CS-) < 60mV$ ;  $LDOV = 11.4V$  to  $12.6V$ ;  $T_A = 0$  to  $70^\circ C$

Parameter	Conditions	Min	Typ	Max	Units
Linear Sections					
Quiescent Current	LDOV = 12V			5	mA
Output Voltage LDO1		2.487	2.525	2.563	V
Output Voltage LDO2		1.231	1.250	1.269	V
Gain ( $A_{OL}$ )	LDOS (1,2) to GATE (1,2)		90		dB
Load Regulation	$I_o = 0$ to 8A			0.3	%
Line Regulation				0.3	%
Output Impedance	VGATE = 6.5V		1	1.5	k $\Omega$
LDOV Undervoltage Lockout		6.5	8.0	10	V
LDOEN Threshold		1.3		1.9	V
LDOEN Sink Current	LDOEN = 3.3V LDOEN = 0V		0.01 -200	1.0 -300	$\mu A$ $\mu A$
Overcurrent Trip Voltage	% of $V_o$ set point	20	40	60	%
Power-up Output Short Circuit Immunity		1	5	60	ms
Output Short Circuit Glitch Immunity		0.5	4	30	ms
Gate Pulldown Impedance	GATE (1,2) -AGND; VCC+BST=0V	80	300	750	k $\Omega$
VOSENSE Impedance		10			k $\Omega$

**Notes:**

- (1) This device is ESD sensitive. Use of standard ESD handling precautions is required.
- (2) See Gate Resistor Selection recommendations.

**POWER MANAGEMENT**
**Pin Configuration**

**Ordering Information**

Device <sup>(1)</sup>	Package	Linear Voltage	Temp Range (T <sub>j</sub> )
SC1189SWTR	SO-24	1.25V/2.5V	0° to 125°C
SC1189SWTRT <sup>(2)</sup>			

**Notes:**

(1) Only available in tape and reel packaging. A reel contains 1000 devices.

(2) Lead free product. This product is fully WEEE and RoHS compliant.

**Pin Descriptions**

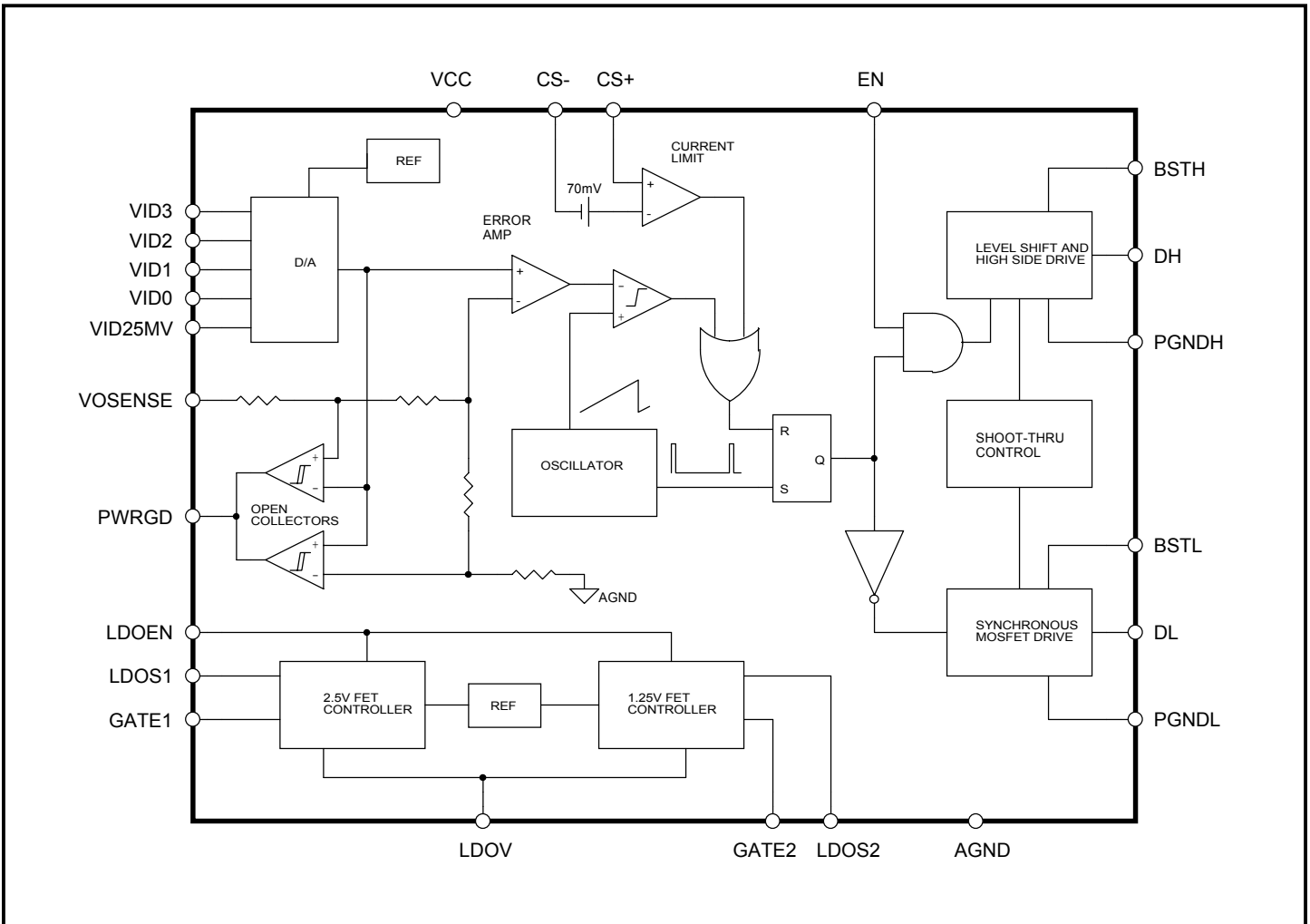
Pin #	Pin Name	Pin Function
1	AGND	Small Signal Analog and Digital Ground
2	GATE1	Gate Drive Output LDO1
3	LDOS1	Sense Input for LDO1
4	LDOS2	Sense Input for LDO2
5	VCC	Input Voltage
6	PWRGD	Power Good Output, pulls low if VCC_CORE is outside valid range
7	LDOEN	LDO Supply Monitor.
8	CS-	Current Sense Input (negative)
9	CS+	Current Sense Input (positive)
10	PGNDH	Power Ground for High Side Switch
11	DH	High Side Driver Output
12	PGNDL	Power Ground for Low Side Switch
13	DL	Low Side Driver Output
14	BSTL	Supply for Low Side Driver
15	BSTH	Supply for High Side Driver
16	EN <sup>(1)</sup>	Logic low shuts down the converter, High or open for normal operation
17	VOSENSE	Top end of internal feedback chain.
18	VID3 <sup>(1)</sup>	Programming Input (MSB)
19	VID2 <sup>(1)</sup>	Programming Input
20	VID1 <sup>(1)</sup>	Programming Input
21	VID0 <sup>(1)</sup>	Programming Input
22	VID25MV <sup>(1)</sup>	Programming Input (LSB)
23	LDOV	+12V for LDO section
24	GATE2	Gate Drive Output LDO2

**Note:**

(1) All logic level inputs and outputs are open collector TTL compatible.

POWER MANAGEMENT

Block Diagram



**POWER MANAGEMENT**
**Applications Information - Output Voltage Table**

Unless specified: 4.75V < VCC < 5.25V; GND = PGND = 0V; VOSENSE = V<sub>O</sub>; 0mV < (CS+ - CS-) < 60mV; = 0°C < T<sub>j</sub> < 85°C

Parameter	Conditions	VID		Min	Typ	Max	Units
		25MV	3210				
Output Voltage <sup>(1)</sup>	I <sub>O</sub> = 2A in Application circuit	0	0100	1.034	1.050	1.066	V
		1	0100	1.059	1.075	1.091	
		0	0011	1.084	1.100	1.117	
		1	0011	1.108	1.125	1.142	
		0	0010	1.133	1.150	1.167	
		1	0010	1.157	1.175	1.193	
		0	0001	1.182	1.200	1.218	
		1	0001	1.207	1.225	1.243	
		0	0000	1.231	1.250	1.269	
		1	0000	1.256	1.275	1.294	
		0	1111	1.281	1.300	1.320	
		1	1111	1.305	1.325	1.345	
		0	1110	1.330	1.350	1.370	
		1	1110	1.354	1.375	1.396	
		0	1101	1.379	1.400	1.421	
		1	1101	1.404	1.425	1.446	
		0	1100	1.428	1.450	1.472	
		1	1100	1.453	1.475	1.497	
		0	1011	1.478	1.500	1.523	
		1	1011	1.502	1.525	1.548	
		0	1010	1.527	1.550	1.573	
		1	1010	1.551	1.575	1.599	
		0	1001	1.584	1.600	1.616	
		1	1001	1.609	1.625	1.641	
		0	1000	1.634	1.650	1.667	
		1	1000	1.658	1.675	1.692	
		0	0111	1.683	1.700	1.717	
		1	0111	1.708	1.725	1.742	
		0	0110	1.733	1.750	1.768	
		1	0110	1.757	1.775	1.793	
		0	0101	1.782	1.800	1.818	
		1	0101	1.798	1.825	1.852	

Note 1: VID[3:0] correspond to legacy VRM8.4 voltage levels for 1.3V to 1.8V

**POWER MANAGEMENT**

**Layout Guidelines**

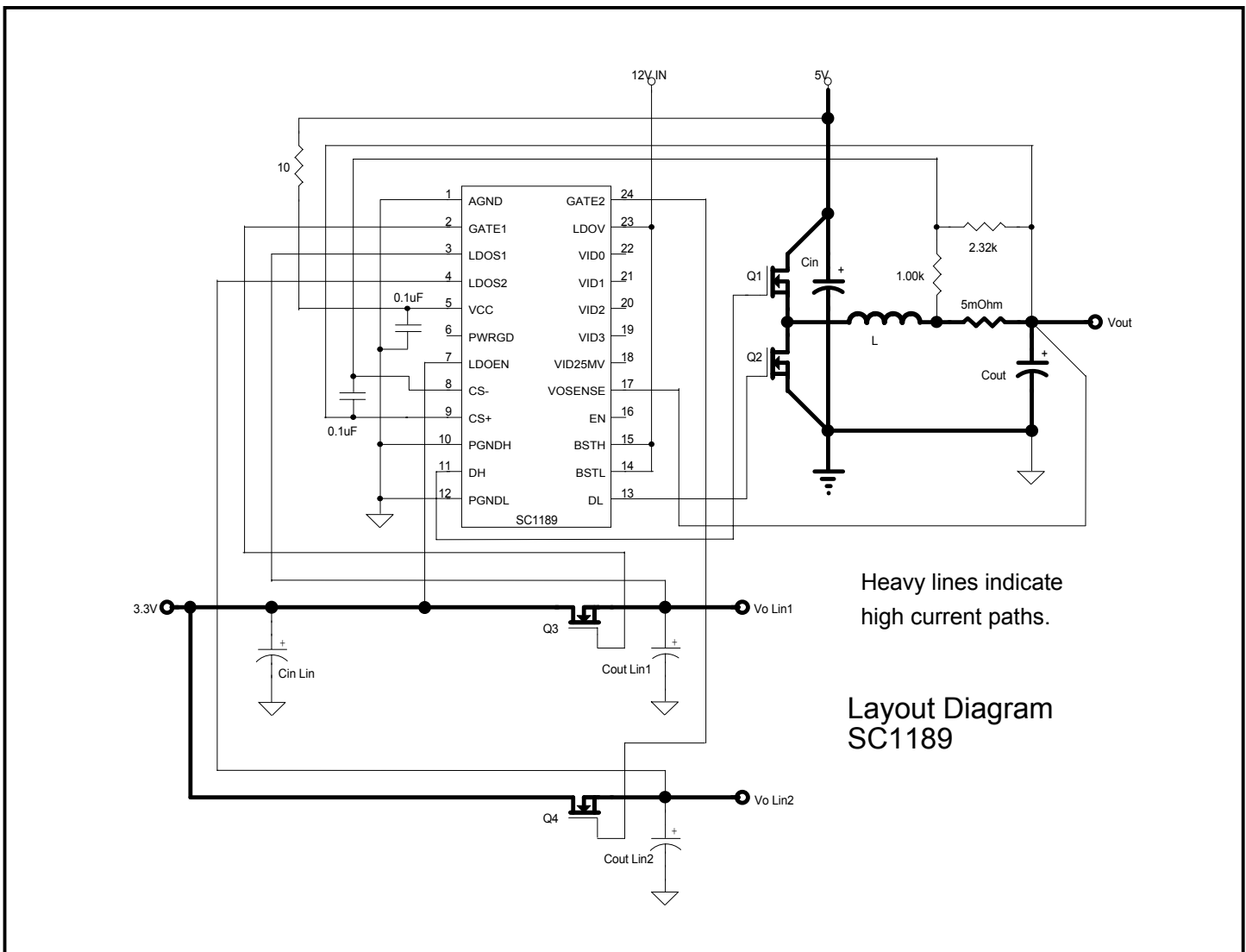
Careful attention to layout requirements are necessary for successful implementation of the SC1189 PWM controller. High currents switching at 200kHz are present in the application and their effect on ground plane voltage differentials must be understood and minimized.

1). The high power parts of the circuit should be laid out first. A ground plane should be used, the number and position of ground plane interruptions should be such as to not unnecessarily compromise ground plane integrity. Isolated or semi-isolated areas of the ground plane may be deliberately introduced to constrain ground currents to particular areas, for example the input capacitor and bottom FET ground.

2). The loop formed by the Input Capacitor(s) (Cin), the Top FET (Q1) and the Bottom FET (Q2) must be kept as small as possible. This loop contains all the high current, fast

transition switching. Connections should be as wide and as short as possible to minimize loop inductance. Minimizing this loop area will a) reduce EMI, b) lower ground injection currents, resulting in electrically “cleaner” grounds for the rest of the system and c) minimize source ringing, resulting in more reliable gate switching signals.

3). The connection between the junction of Q1, Q2 and the output inductor should be a wide trace or copper region. It should be as short as practical. Since this connection has fast voltage transitions, keeping this connection short will minimize EMI. The connection between the output inductor and the sense resistor should be a wide trace or copper area, there are no fast voltage or current transitions in this connection and length is not so important, however adding unnecessary impedance will reduce efficiency.



**POWER MANAGEMENT**
**Layout Guidelines (Cont.)**

4) The Output Capacitor(s) ( $C_{out}$ ) should be located as close to the load as possible, fast transient load currents are supplied by  $C_{out}$  only, and connections between  $C_{out}$  and the load must be short, wide copper areas to minimize inductance and resistance.

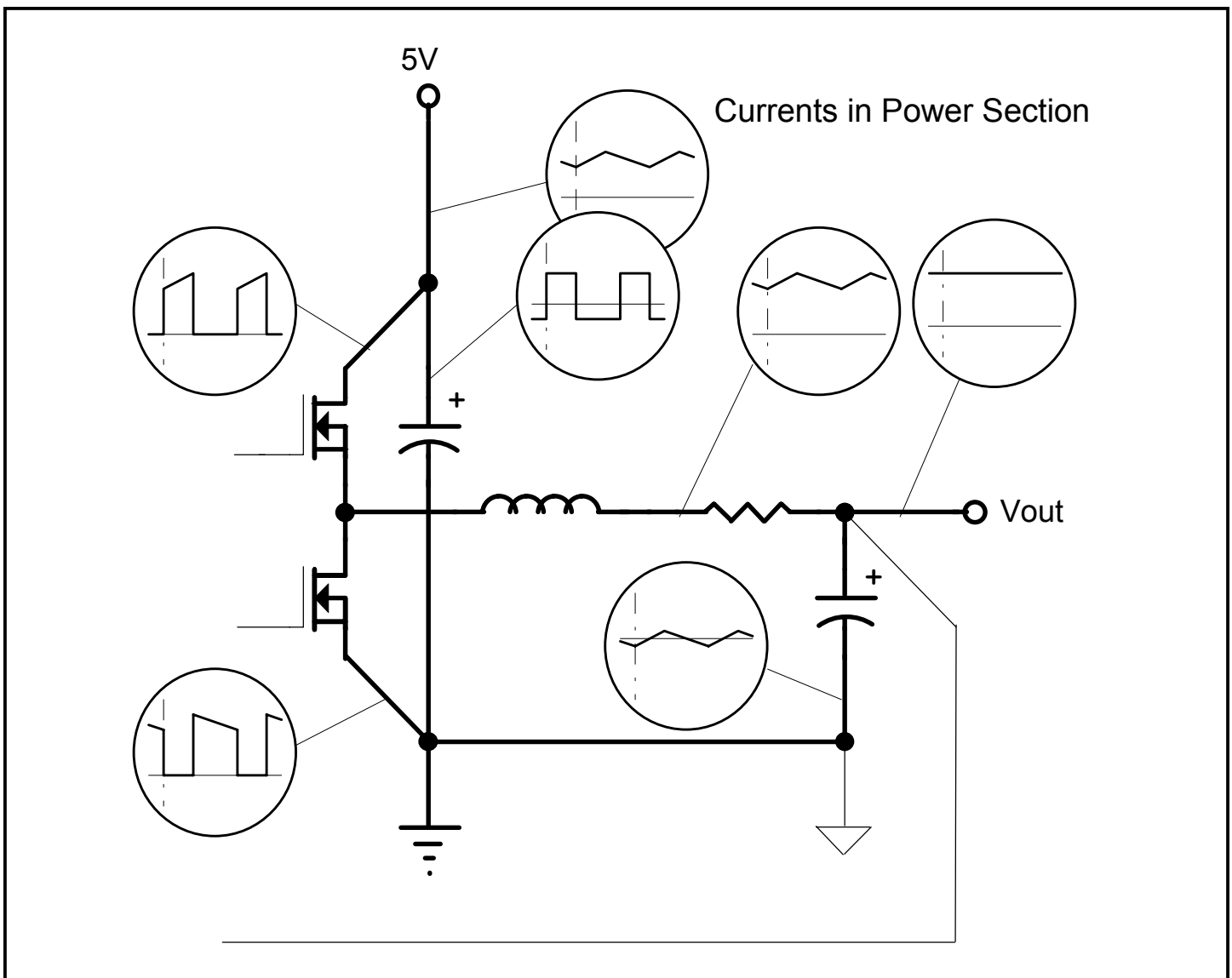
5) The SC1189 is best placed over a quiet ground plane area, avoid pulse currents in the  $C_{in}$ , Q1, Q2 loop flowing in this area. PGNDH and PGNDL should be returned to the ground plane close to the package. The AGND pin should be connected to the ground side of (one of) the output capacitor(s). If this is not possible, the AGND pin may be connected to the ground path between the Output Capacitor(s) and the  $C_{in}$ , Q1, Q2 loop. Under no circumstances should AGND be returned to a ground inside the

$C_{in}$ , Q1, Q2 loop.

6)  $V_{cc}$  for the SC1189 should be supplied from the 5V supply through a  $10\Omega$  resistor, the  $V_{cc}$  pin should be decoupled directly to AGND by a  $0.1\mu F$  ceramic capacitor, trace lengths should be as short as possible.

7) The Current Sense resistor and the divider across it should form as small a loop as possible, the traces running back to CS+ and CS- on the SC1189 should run parallel and close to each other. The  $0.1\mu F$  capacitor should be mounted as close to the CS+ and CS- pins as possible.

8) Ideally, the grounds for the two LDO sections should be returned to the ground side of (one of) the output capacitor(s).





**POWER MANAGEMENT**
**Component Selection**
**SWITCHING SECTION**

**OUTPUT CAPACITORS** - Selection begins with the most critical component. Because of fast transient load current requirements in modern microprocessor core supplies, the output capacitors must supply all transient load current requirements until the current in the output inductor ramps up to the new level. Output capacitor ESR is therefore one of the most important criteria. The maximum ESR can be simply calculated from:

$$R_{ESR} \leq \frac{V_t}{I_t}$$

Where

$V_t$  = Maximum transient voltage excursion

$I_t$  = Transient current step

For example, to meet a 100mV transient limit with a 10A load step, the output capacitor ESR must be less than 10mΩ. To meet this kind of ESR level, there are three available capacitor technologies.

Technology	Each Cap.		Qty. Rqd.	Total	
	C (μF)	ESR (mΩ)		C (μF)	ESR (mΩ)
Low ESR Tantalum	330	60	6	2000	10
OS-CON	330	25	3	990	8.3
Low ESR Aluminum	1500	44	5	7500	8.3

The choice of which to use is simply a cost/performance issue, with Low ESR Aluminum being the cheapest, but taking up the most space.

**INDUCTOR** - Having decided on a suitable type and value of output capacitor, the maximum allowable value of inductor can be calculated. Too large an inductor will produce a slow current ramp rate and will cause the output capacitor to supply more of the transient load current for longer - leading to an output voltage sag below the ESR excursion calculated above.

The maximum inductor value may be calculated from:

$$L \leq \frac{R_{ESR} \cdot C}{I_t} \cdot V_A$$

where  $V_A$  is the lesser of  $V_O$  or  $(V_{IN} - V_O)$

The calculated maximum inductor value assumes 100%

and 0% duty cycle capability, so some allowance must be made. Choosing an inductor value of 50 to 75% of the calculated maximum will guarantee that the inductor current will ramp fast enough to reduce the voltage dropped across the ESR at a faster rate than the capacitor sags, hence ensuring a good recovery from transient with no additional excursions.

We must also be concerned with ripple current in the output inductor and a general rule of thumb has been to allow 10% of maximum output current as ripple current. Note that most of the output voltage ripple is produced by the inductor ripple current flowing in the output capacitor ESR. Ripple current can be calculated from:

$$I_{L,RIPPLE} = \frac{V_{IN}}{4 \cdot L \cdot f_{OSC}}$$

Ripple current allowance will define the minimum permitted inductor value.

**POWER FETS** - The FETs are chosen based on several criteria, with probably the most important being power dissipation and power handling capability.

**TOP FET** - The power dissipation in the top FET is a combination of conduction losses, switching losses and bottom FET body diode recovery losses.

a) Conduction losses are simply calculated as:

$$P_{COND} = I_O^2 \cdot R_{DS(on)} \cdot \delta$$

where

$$\delta = \text{duty cycle} \approx \frac{V_O}{V_{IN}}$$

b) Switching losses can be estimated by assuming a switching time, if we assume 100ns then:

$$P_{SW} = I_O \cdot V_{IN} \cdot 10^{-2}$$

or more generally,

$$P_{SW} = \frac{I_O \cdot V_{IN} \cdot (t_r + t_f) \cdot f_{OSC}}{4}$$

c) Body diode recovery losses are more difficult to estimate, but to a first approximation, it is reasonable to assume that the stored charge on the bottom FET body diode will be moved through the top FET as it starts to turn on. The resulting power dissipation in the top FET will be:

$$P_{RR} = Q_{RR} \cdot V_{IN} \cdot f_{OSC}$$

To a first order approximation, it is convenient to only con-

**POWER MANAGEMENT**
**Component Selection (Cont.)**

sider conduction losses to determine FET suitability. For a 5V in; 2.8V out at 14.2A requirement, typical FET losses would be:

Using 1.5X Room temp  $R_{DS(on)}$  to allow for temperature rise.

FET type	$R_{DS(on)}$ (m $\Omega$ )	$P_D$ (W)	Package
IRL34025	15	1.69	D <sup>2</sup> Pak
IRL2203	10.5	1.19	D <sup>2</sup> Pak
Si4410	20	2.26	S0-8

**BOTTOM FET** - Bottom FET losses are almost entirely due to conduction. The body diode is forced into conduction at the beginning and end of the bottom switch conduction period, so when the FET turns on and off, there is very little voltage across it, resulting in low switching losses. Conduction losses for the FET can be determined by:

$$P_{COND} = I_O^2 \cdot R_{DS(on)} \cdot (1 - \delta)$$

For the example above:

FET type	$R_{DS(on)}$ (m $\Omega$ )	$P_D$ (W)	Package
IRL34025	15	1.33	D <sup>2</sup> Pak
IRL2203	10.5	0.93	D <sup>2</sup> Pak
Si4410	20	1.77	S0-8

Each of the package types has a characteristic thermal impedance. For the surface mount packages on double sided FR4, 2 oz printed circuit board material, thermal impedances of 40°C/W for the D<sup>2</sup>PAK and 80°C/W for the S0-8 are readily achievable. The corresponding temperature rise is detailed below:

FET type	Temperature Rise (°C)	
	Top FET	Bottom FET
IRL34025	67.6	53.2
IRL2203	47.6	37.2
Si4410	180.8	141.6

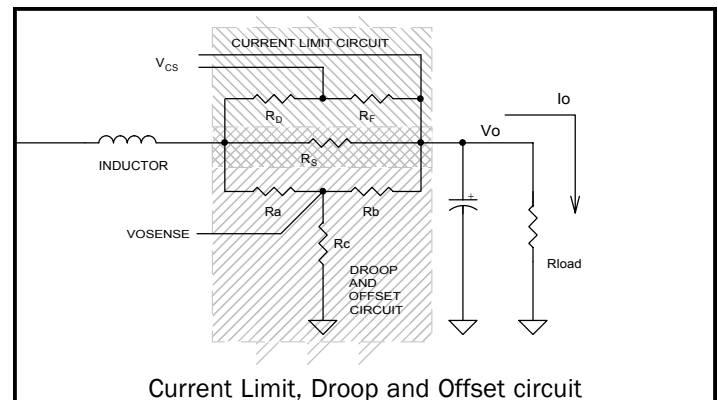
It is apparent that single S0-8 Si4410 are not adequate for this application, but by using parallel pairs in each position, power dissipation will be approximately halved and temperature rise reduced by a factor of 4.

**INPUT CAPACITORS** - since the RMS ripple current in the input capacitors may be as high as 50% of the output current, suitable capacitors must be chosen accordingly. Also, during fast load transients, there may be restrictions on input di/dt. These restrictions require useable energy storage within the converter circuitry, either as extra output capacitance or, more usually, additional input capacitors. Choosing low ESR input capacitors will help maximize ripple rating for a given size.

**GATE RESISTOR SELECTION** - The gate resistors for the top and bottom switching FETs limit the peak gate current and hence control the transition time. It is important to control the off time transition of the top FET, it should be fast to limit switching losses, but not so fast as to cause excessive phase node oscillation below ground as this can lead to current injection in the IC substrate and erratic behaviour or latchup. The actual value should be determined in the application, with the final layout and FETs.

**CURRENT SENSE, LIMIT, DROOP AND OFFSET**

The converter is protected and it's loadline shaped by the signals generated from the sense resistor and associated components.



Current Limit is given by  

$$I_{OLIM} = V_{CS} \cdot (R_D + R_F) / (R_S \cdot R_F)$$

At no load the output voltage is given by:

$$V_O = V_{O(nom)} \cdot (1 + (R_a \cdot R_b) / (R_c \cdot (R_a + R_b)))$$

so the offset is:

$$V_{OS} = V_{O(nom)} \cdot 1000 \cdot (R_a \cdot R_b) / (R_c \cdot (R_a + R_b))$$

and the droop is calculated as:

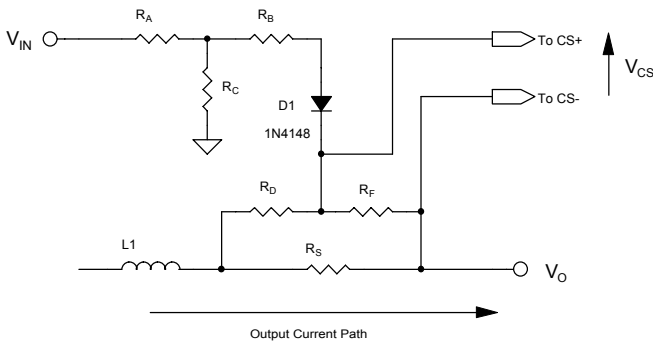
$$V_D = I_O \cdot R_S \cdot R_b / (R_a + R_b)$$

where  $R_S$  is in m $\Omega$ ,  $V_{OS}$  and  $V_D$  in mV

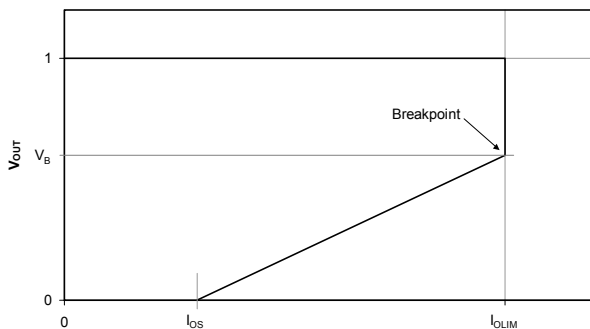
For a full design procedure for droop and offset, see Application Note AN97-9, "Using Droop and Vout Offset for improved transient response".

**FOLDBACK CURRENT LIMITING**

The SC1189 implements a “Hard Current Limit” overcurrent protection for the switching supply output. In a short circuit condition, this will lead to higher than normal power dissipation in the bottom side FETs. If this is problematic, foldback current limiting can be easily and inexpensively implemented to drastically reduce dissipation during output short circuit



Foldback current limit components



Foldback current limit characteristics

For a complete design procedure for foldback current limiting see Application Note AN01-2, “Foldback Current Limit”. An abbreviated procedure is given below.

1) Choose values for  $I_{OLIM}$  and  $R_S$  and calculate the ratio

$$\frac{R_F}{R_D + R_F} = \frac{V_{CS}}{I_{OLIM} \cdot R_S}$$

If this ratio > 1, the value of  $R_S$  or  $I_{OLIM}$  must be increased. Then let  $R_F = 1k\Omega$  and calculate  $R_D$ .

2) Choose a short circuit current ( $I_{OS}$ ) and calculate M, do not be too aggressive with M, a value between 2 and 3 should be sufficient. Choosing too low a value for  $I_{OS}$  will result in a high value for M and may cause startup problems due to insufficient current.

$$M = \frac{I_{OLIM}}{I_{OS}}$$

3) Choose  $V_B$  and calculate  $R_B$

$$R_B = \frac{M \cdot V_B \cdot R_D \cdot R_F}{(M - 1)V_{CS}(R_D + R_F)}$$

4) Calculate the ratio of the input divider

$$\frac{R_C}{(R_A + R_C)} = \frac{V_B + V_{CS} + V_F}{V_{IN}}$$

where  $V_F$  = Forward Voltage drop of diode ( $\approx 0.6V$ )

Choose  $R_C < R_B / 10$  and calculate  $R_A$

**SHORT CIRCUIT PROTECTION - LINEARS**

The Short circuit feature on the linear controllers is implemented by using the  $R_{ds(on)}$  of the FETs. As output current increases, the regulation loop maintains the output voltage by turning the FET on more and more. Eventually, as the  $R_{ds(on)}$  limit is reached, the FET will be unable to turn on more fully, and output voltage will start to fall. When the output voltage falls to approximately 50% of nominal, the LDO controller is latched off, setting output voltage to 0. Power must be cycled to reset the latch.

To prevent false latching due to capacitor inrush currents or low supply rails, the current limit latch is initially disabled. It is enabled at a preset time (nominally 2mS) after both the LDOV and LDOEN rails rise above their lockout points.

To be most effective, the linear FET  $R_{ds(on)}$  should not be selected artificially low, the FET should be chosen so that, at maximum required current, it is almost fully turned on.

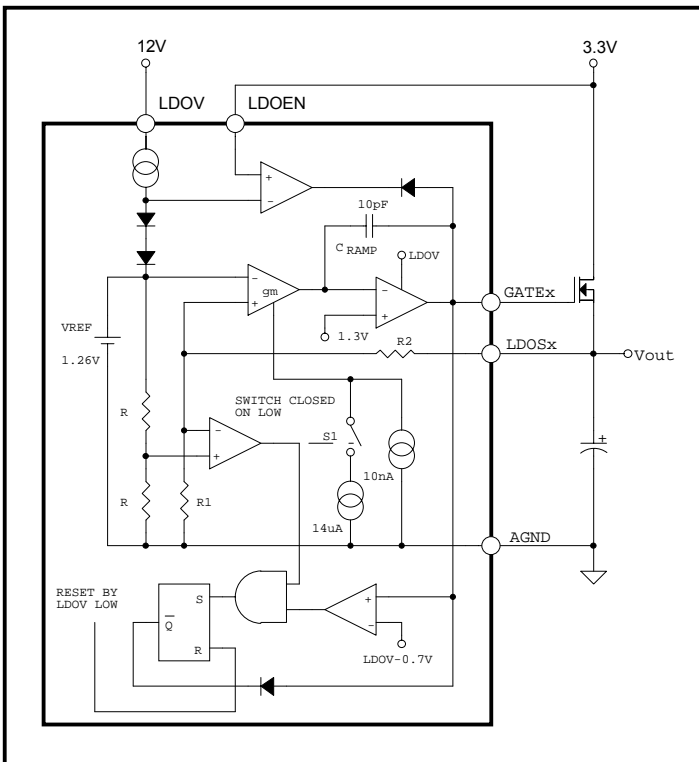
If, for example, a linear supply of 1.5V at 4A is required from a  $3.3V \pm 5\%$  rail, max allowable  $R_{ds(on)}$  would be.  
 $R_{ds(on)max} = (0.95 * 3.3 - 1.5) / 4 \approx 400m\Omega$

To allow for temperature effects 200mΩ would be a suitable room temperature maximum, allowing a peak short circuit current of approximately 15A for a short time before shutdown.

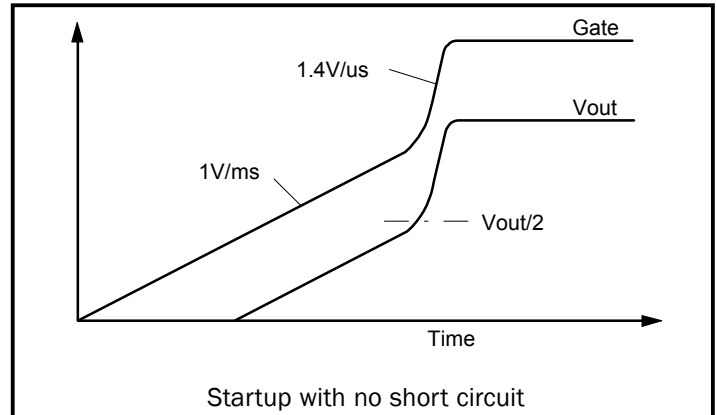
**POWER MANAGEMENT**

**Theory of Operation (Linear OCP)**

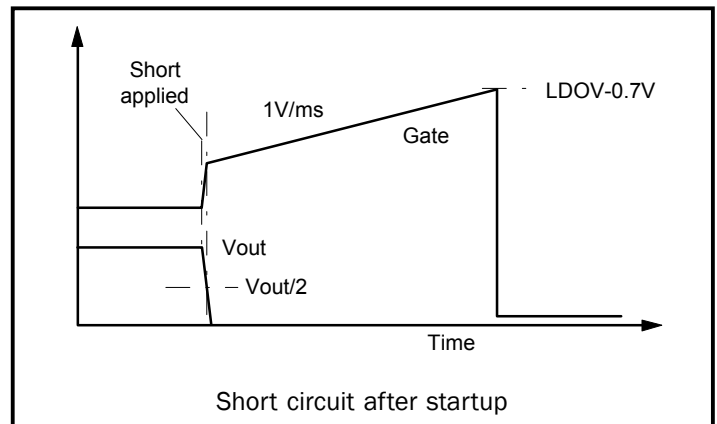
The Linear controllers in the SC1189 have built in Overcurrent Protection (OCP). An overcurrent is assumed to have occurred when the external FET is turned fully on and the output current is  $R_{DS(ON)}$  limited, this is detected by the gate voltage going very high while the output voltage is below approximately 40% of it's setpoint. To allow for capacitor charging and very short overcurrent durations, the gate voltage is ramped very slowly upwards whenever the output voltage is below the OCP threshold. To guarantee that the LDO output voltage is capable of reaching it's setpoint, the gate drive is disabled until both LDOV Undervoltage Lockout (UVLO) and LDOEN Threshold values are exceeded, ensuring that there is sufficient gate drive capability and sufficient LDO input voltage capability. A block diagram of one LDO controller is shown below.



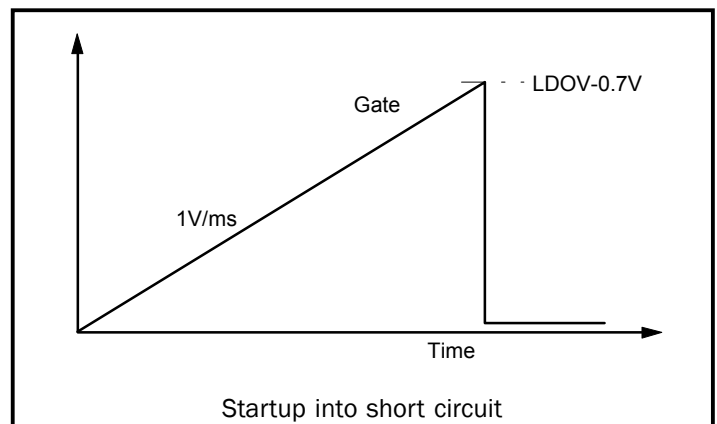
During a normal start-up, once LDOV and LDOEN have reached their thresholds, the GATEx pin is released and  $C_{RAMP}$  is charged by 10nA causing the GATEx voltage to ramp at  $10nA/10pF = 1V/ms$ . Once the GATEx output has ramped to the external FET threshold,  $V_{out}$  starts to ramp up, following GATEx. When  $V_{out}$  reaches the OCP threshold, approximately 40% of setpoint, switch S1 is closed and GATEx ramps up at a much faster rate, followed by  $V_{out}$ , until  $V_{out}$  reaches setpoint and the loop settles into steady state regulation.



If at some later time, a short circuit is applied to the output, the GATEx voltage will ramp up quickly as  $V_{out}$  falls to try and maintain regulation. Once  $V_{out}$  has fallen to the OCP threshold, switch S1 will open and the gate will continue ramping at the 1V/ms rate. If the short is not removed before the GATEx output reaches approximately LDOV - 0.7V, the GATEx pin will be latched low, disabling the LDO

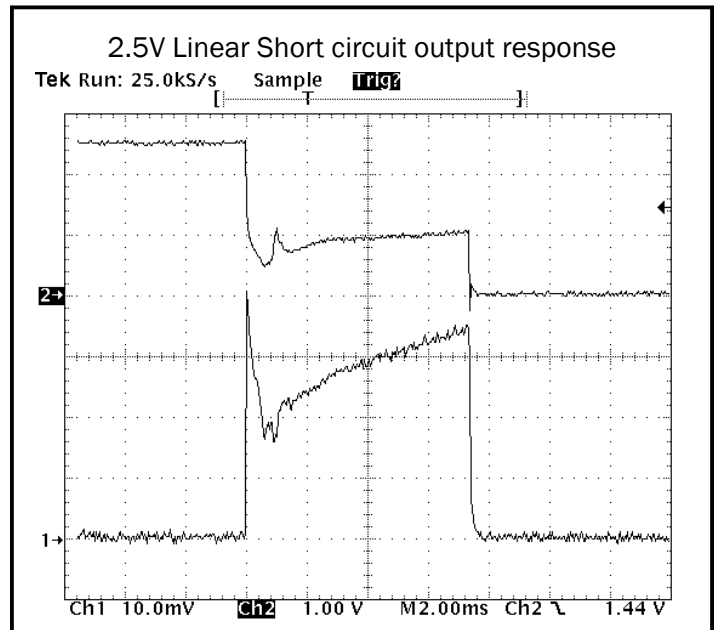
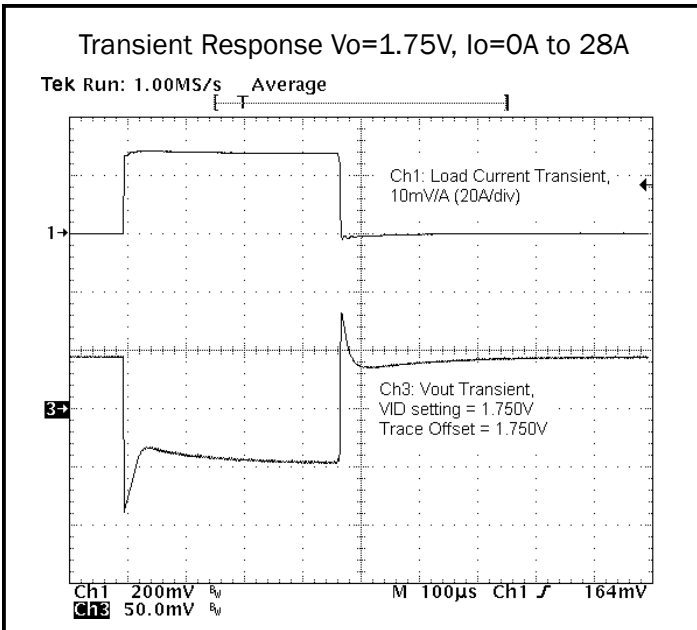
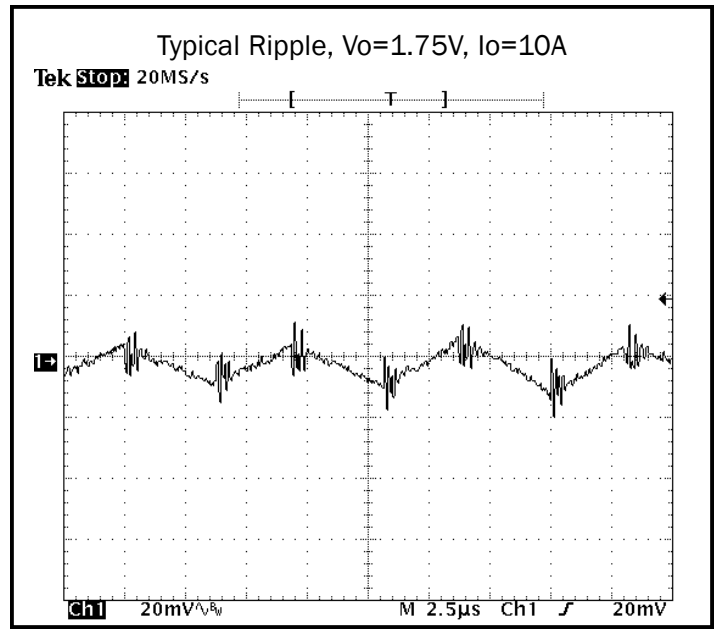
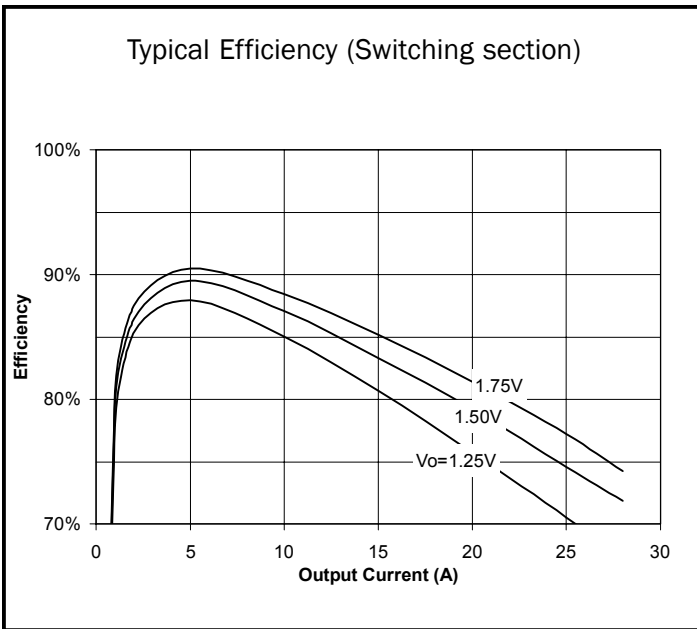


If the LDO tries to start into a short, the gate ramps at the 1V/ms rate to LDOV - 0.7V, where the GATEx pin will be latched low.



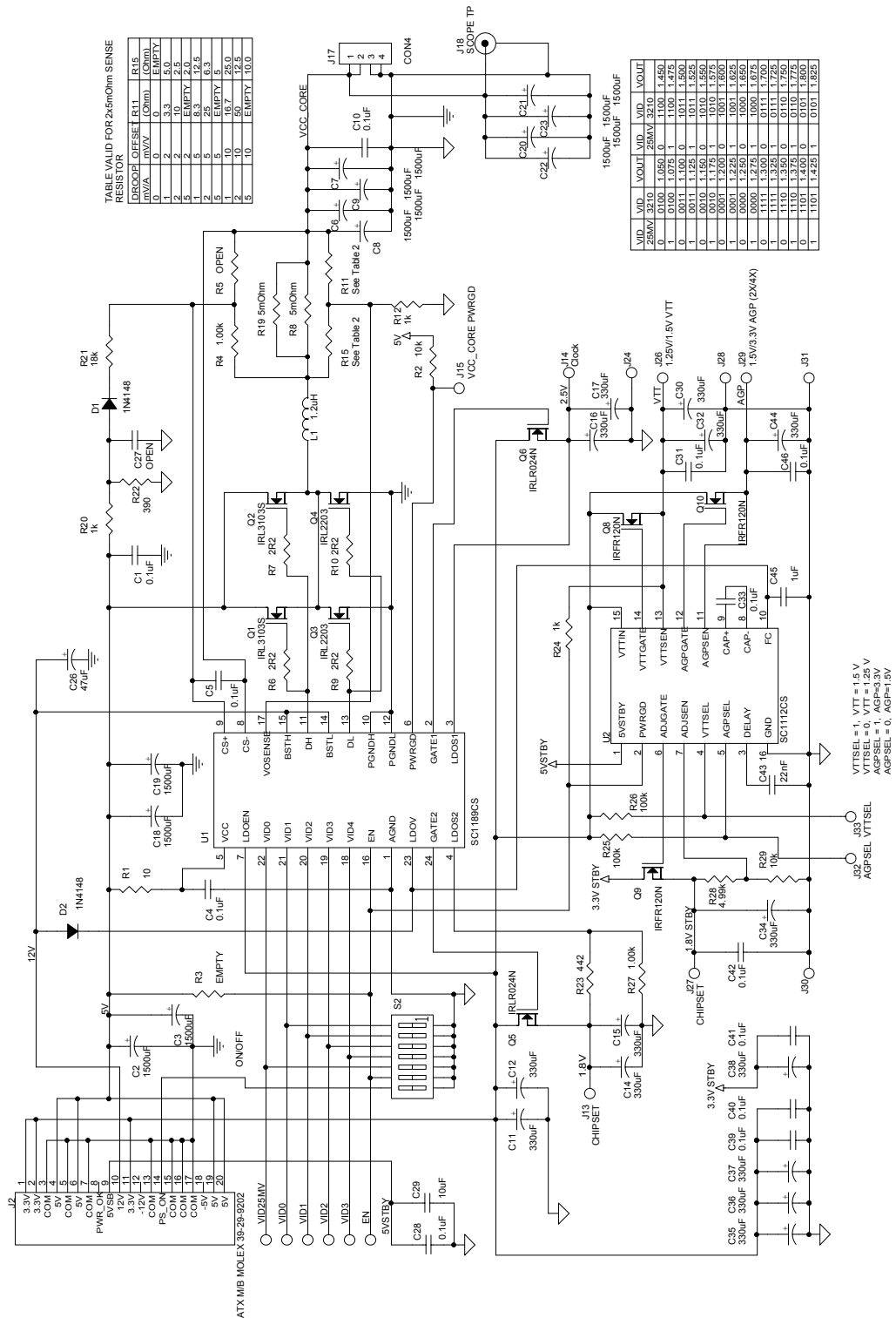
POWER MANAGEMENT

Typical Characteristics



POWER MANAGEMENT

Typical Application Circuit

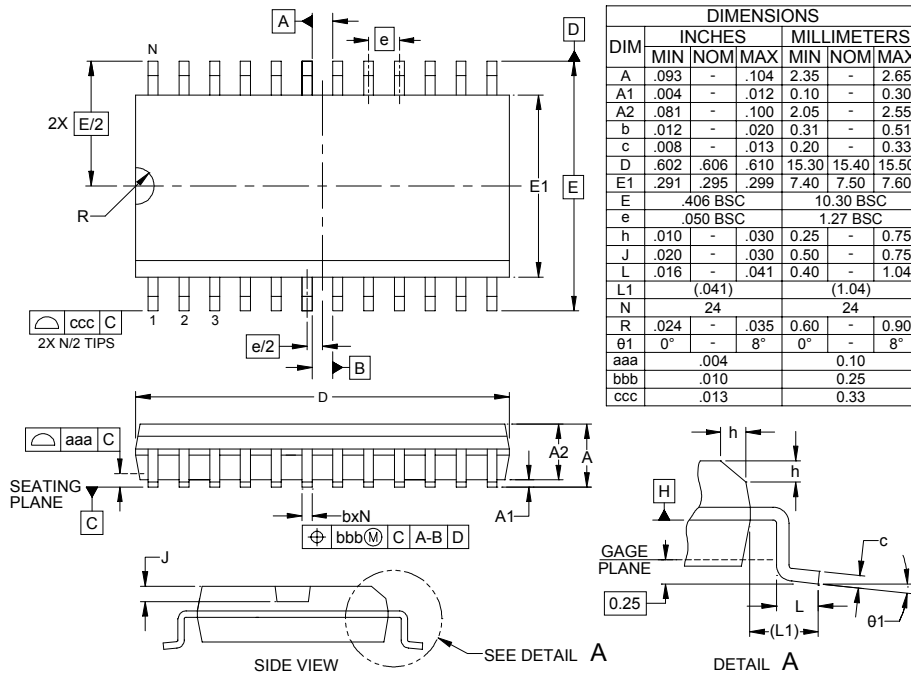


**POWER MANAGEMENT**
**Evaluation Board Bill of Materials**

Item	Qty.	Reference	Value	Notes
1	12	C1, C4, C5, C10, C28, C31, C33, C39, C40, C41, C42, C46	0.1uF	
2	12	C2, C3, C6, C7, C8, C9, C18, C19, C20, C21, C22, C23	1500uF	Low ESR Sanyo MV-GX or equivalent
3	14	C11, C12, C14, C15, C16, C17, C30, C32, C34, C35, C36, C37, C38, C44	330uF	
4	1	C26	47uF	
6	1	C29	10uF	
7	1	C43	22nF	
8	1	C45	1uF	
9	2	D1, D2	1N4148	
10	1	J2	ATX M/B	MOLEX 39-29-9202
6	1	L1	1.2uH	Panasonic PCC-S1
7	2	Q1, Q2	IRLR3103S	
8	2	Q3, Q4	IRL2203	
9	2	Q5, Q6	IRLR024N	
25	3	Q8, Q9, Q10	IRFR120N	
10	1	R1	10	
11	2	R2, R29	10k	
29	2	R4, R27	1.00k	
13	4	R6, R7, R9, R10	2R2	
14	2	R8, R19	5mOhm	IRC OAR1
15	2	R11, R15	See Table	
12	3	R12, R20, R24	1k	
16	1	R21	18k	
17	1	R22	390	
36	1	R23	442	
37	2	R26, R25	100k	
38	1	R28	4.99k	
18	1	U1	SC1189CS	SEMTECH
41	1	U2	SC1112CS	SEMTECH

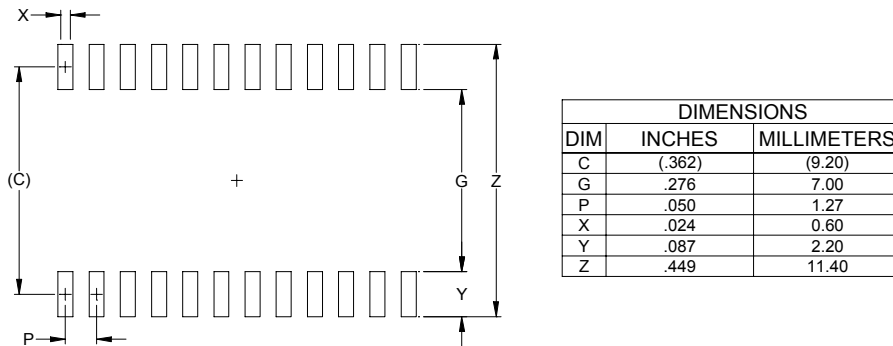
**POWER MANAGEMENT**

**Outline Drawing - SO-24**



- NOTES:
1. CONTROLLING DIMENSIONS ARE IN MILLIMETERS (ANGLES IN DEGREES).
  2. DATUMS [A-] AND [B-] TO BE DETERMINED AT DATUM PLANE [E-H].
  3. DIMENSIONS "E1" AND "D" DO NOT INCLUDE MOLD FLASH, PROTRUSIONS OR GATE BURRS.
  4. REFERENCE JEDEC STD MS-013, VARIATION AD.

**Land Pattern - SO-24**



- NOTES:
1. THIS LAND PATTERN IS FOR REFERENCE PURPOSES ONLY. CONSULT YOUR MANUFACTURING GROUP TO ENSURE YOUR COMPANY'S MANUFACTURING GUIDELINES ARE MET.
  2. REFERENCE IPC-SM-782A, RLP NO. 307A.

**Contact Information**

Semtech Corporation  
 Power Management Products Division  
 200 Flynn Road, Camarillo, CA 93012-8790  
 Phone: (805)498-2111 FAX (805)498-3804





Компания «ЭлектроПласт» предлагает заключение долгосрочных отношений при поставках импортных электронных компонентов на взаимовыгодных условиях!

Наши преимущества:

- Оперативные поставки широкого спектра электронных компонентов отечественного и импортного производства напрямую от производителей и с крупнейших мировых складов;
- Поставка более 17-ти миллионов наименований электронных компонентов;
- Поставка сложных, дефицитных, либо снятых с производства позиций;
- Оперативные сроки поставки под заказ (от 5 рабочих дней);
- Экспресс доставка в любую точку России;
- Техническая поддержка проекта, помощь в подборе аналогов, поставка прототипов;
- Система менеджмента качества сертифицирована по Международному стандарту ISO 9001;
- Лицензия ФСБ на осуществление работ с использованием сведений, составляющих государственную тайну;
- Поставка специализированных компонентов (Xilinx, Altera, Analog Devices, Intersil, Interpoint, Microsemi, Aeroflex, Peregrine, Syfer, Eurofarad, Texas Instrument, Miteq, Cobham, E2V, MA-COM, Hittite, Mini-Circuits, General Dynamics и др.);

Помимо этого, одним из направлений компании «ЭлектроПласт» является направление «Источники питания». Мы предлагаем Вам помощь Конструкторского отдела:

- Подбор оптимального решения, техническое обоснование при выборе компонента;
- Подбор аналогов;
- Консультации по применению компонента;
- Поставка образцов и прототипов;
- Техническая поддержка проекта;
- Защита от снятия компонента с производства.



#### Как с нами связаться

**Телефон:** 8 (812) 309 58 32 (многоканальный)

**Факс:** 8 (812) 320-02-42

**Электронная почта:** [org@eplast1.ru](mailto:org@eplast1.ru)

**Адрес:** 198099, г. Санкт-Петербург, ул. Калинина, дом 2, корпус 4, литера А.