

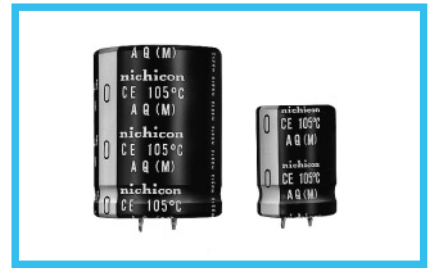
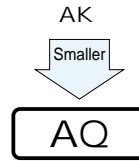
ALUMINUM ELECTROLYTIC CAPACITORS



AQ Snap-in Terminal Type, 105°C Permissible Abnormal Voltage, Smaller-sized (692 type) series



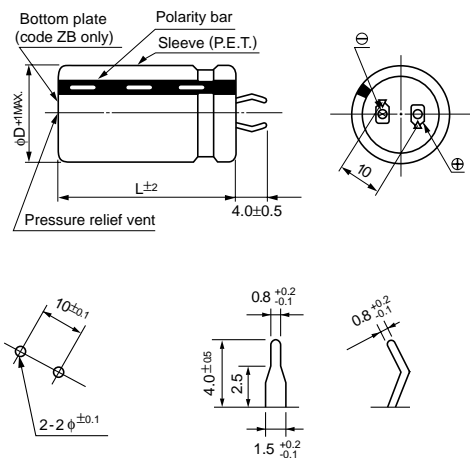
- Withstanding 2000 hours application of rated ripple current of 105°C.
- Extended voltage range at 200V, 220V and 400V.
- Smaller case sizes and higher ripple current than AK series.
- Improved safety features for abnormally excessive voltage.
- Ideally suited for the equipment used at voltage fluctuating area.
- Compliant to the RoHS directive (2002/95/EC).



Specifications

| Item | Performance Characteristics | | | |
|-------------------------------|---|---|--------------------|-------------------------------|
| Category Temperature Range | -25 to +105°C | | | |
| Rated Voltage Range | 200 · 220 · 400V | | | |
| Rated Capacitance Range | 33 to 1500μF | | | |
| Capacitance Tolerance | ±20% at 120Hz, 20°C | | | |
| Leakage Current | $I \leq 3\sqrt{CV}$ (μA) (After 5 minutes' application of rated voltage) [C : Rated Capacitance (μF) V : Voltage (V)] | | | |
| Tangent of loss angle (tan δ) | 0.20MAX. 120Hz, 20°C | | | |
| Stability at Low Temperature | Rated voltage(V) | | 200 · 220 | 400 |
| | Impedance ratio (MAX) | Z - 25°C/Z+20°C | 8 | 8 |
| Endurance | The specifications listed at right shall be met when the capacitors are restored to 20°C after D.C. bias plus rated ripple current is applied for 2000 hours at 105°C, the peak voltage shall not exceed the rated voltage. | | | Measurement frequency : 120Hz |
| | Capacitance change | Within ±20% of the initial capacitance value | | |
| | tan δ | 200% or less than the initial specified value | | |
| Shelf Life | After storing the capacitors under no load at 105°C for 1000 hours and then performing voltage treatment based on JIS C 5101-4 clause 4.1 at 20°C, they shall meet the requirements listed at right. | | | Measurement frequency : 120Hz |
| | Capacitance change | Within ±15% of the initial capacitance value | | |
| | tan δ | 150% or less than the initial specified value | | |
| Safety Performance | The pressure relief vent will operate in normal conditions, with no dangerous conditions such as flames, ignitions or dispersion of pieces of the capacitor and / or case. | | | |
| | Rating | | Test conditions | |
| | Voltage (V) | Rated Capacitance (μF) | Limited DC current | Test voltage |
| | 200 | C < 330 | 4 A | 300VDC and 375VDC |
| | | 330 ≤ C < 470 | 5 A | |
| | | 470 ≤ C | 7 A | |
| | 220 | C < 330 | 4 A | 320VDC and 405VDC |
| 330 ≤ C < 470 | | 5 A | | |
| 470 ≤ C | | 7 A | | |
| 400 | C < 100 | 2 A | 500VDC and 600VDC | |
| | 100 ≤ C < 220 | 4 A | | |
| | 220 ≤ C | 7 A | | |
| Marking | Printed with white color letter on black sleeve | | | |

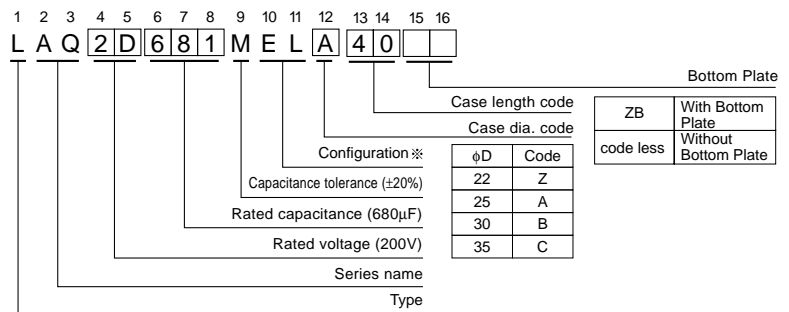
Drawing



(PC board hole dimensions)

(Terminal dimensions)

Type numbering system (Example : 200V 680μF)



※ Please contact to us if other configurations are required.

Minimum order quantity : 50pcs.

● Dimension table in next page.

■ Dimensions

| Cap.(μF) | V(Code) Code | φD | 200V (2D) | | | | 220V (2P) | | | | 400V (2G) | | | | |
|----------|-----------------|----|-----------|-------|-------|-------|-----------|-------|-------|-------|-----------|-------|-------|-------|---------------------|
| | | | 22 | 25 | 30 | 35 | 22 | 25 | 30 | 35 | 22 | 25 | 30 | 35 | |
| 33 | 330 | | | | | | | | | | | 22×25 | | | |
| | | | | | | | | | | | | 0.25 | | | |
| 39 | 390 | | | | | | | | | | | 22×25 | | | |
| | | | | | | | | | | | | 0.30 | | | |
| 47 | 470 | | | | | | | | | | | 22×25 | | | |
| | | | | | | | | | | | | 0.35 | | | |
| 56 | 560 | | | | | | | | | | | 22×25 | | | |
| | | | | | | | | | | | | 0.45 | | | |
| 68 | 680 | | | | | | | | | | | 22×25 | | | |
| | | | | | | | | | | | | 0.51 | | | |
| 82 | 820 | | | | | | | | | | | 22×30 | 25×25 | | |
| | | | | | | | | | | | | 0.58 | 0.58 | | |
| 100 | 101 | | | | | | 22×20 | | | | | 22×30 | 25×25 | | |
| | | | | | | | 0.50 | | | | | 0.66 | 0.66 | | |
| 120 | 121 | | | | | | 22×25 | | | | | 22×35 | 25×30 | 30×25 | |
| | | | | | | | 0.60 | | | | | 0.76 | 0.76 | 0.76 | |
| 150 | 151 | | | | | | 22×25 | 25×20 | | | | 22×40 | 25×35 | 30×25 | |
| | | | | | | | 0.65 | 0.65 | | | | 0.85 | 0.85 | 0.85 | |
| 180 | 181 | | 22×25 | 25×20 | | | 22×25 | 25×25 | | | | | 25×40 | 30×30 | 35×25 |
| | | | 0.70 | 0.70 | | | 0.70 | 0.70 | | | | | 0.95 | 0.95 | 0.95 |
| 220 | 221 | | 22×25 | | | | 22×30 | 25×25 | 30×20 | | | | 25×45 | 30×35 | 35×30 |
| | | | 0.90 | | | | 0.90 | 0.90 | 0.90 | | | | 1.24 | 1.24 | 1.24 |
| 270 | 271 | | 22×25 | | | | 22×35 | 25×30 | 30×25 | 35×20 | | | | 30×40 | 35×35 |
| | | | 1.00 | | | | 1.00 | 1.00 | 1.00 | 1.00 | | | | 1.30 | 1.30 |
| 330 | 331 | | 22×30 | 25×25 | | | 22×40 | 25×30 | 30×25 | 35×25 | | | | 30×45 | 35×35 |
| | | | 1.20 | 1.20 | | | 1.20 | 1.20 | 1.20 | 1.20 | | | | 1.47 | 1.47 |
| 390 | 391 | | 22×35 | 25×30 | | | 22×45 | 25×35 | 30×30 | 35×25 | | | | | 35×40 |
| | | | 1.35 | 1.35 | | | 1.35 | 1.35 | 1.35 | 1.35 | | | | | 1.59 |
| 470 | 471 | | 22×40 | 25×30 | 30×25 | | | 25×40 | 30×30 | 35×25 | | | | | 35×45 |
| | | | 1.45 | 1.45 | 1.45 | | | 1.45 | 1.45 | 1.45 | | | | | 1.87 |
| 560 | 561 | | 22×45 | 25×35 | 30×30 | | | 25×45 | 30×35 | 35×30 | | | | | |
| | | | 1.60 | 1.60 | 1.60 | | | 1.60 | 1.60 | 1.60 | | | | | |
| 680 | 681 | | 22×50 | 25×40 | 30×30 | 35×25 | | | 30×40 | 35×35 | | | | | |
| | | | 1.75 | 1.75 | 1.75 | 1.75 | | | 1.75 | 1.75 | | | | | |
| 820 | 821 | | | 25×50 | 30×35 | 35×30 | | | 30×45 | 35×40 | | | | | |
| | | | | 2.11 | 2.11 | 2.11 | | | 2.11 | 2.11 | | | | | |
| 1000 | 102 | | | | 30×45 | 35×35 | | | | 35×45 | | | | | |
| | | | | | 2.40 | 2.40 | | | | 2.40 | | | | | |
| 1200 | 122 | | | | 30×50 | 35×40 | | | | | | | | | |
| | | | | | 2.65 | 2.65 | | | | | | | | | |
| 1500 | 152 | | | | | 35×45 | | | | | | | | | |
| | | | | | | 3.08 | | | | | | | | | |
| | | | | | | | | | | | | | | | Case size φD×L (mm) |
| | | | | | | | | | | | | | | | Rated ripple |

Rated ripple current (Arms) at 105°C 120Hz

● Frequency coefficient of rated ripple current

| Frequency (Hz) | 50 | 60 | 120 | 1k | 10k or more |
|----------------|------|------|------|------|-------------|
| 200-220V | 0.85 | 0.88 | 1.00 | 1.15 | 1.20 |
| 400V | 0.88 | 0.90 | 1.00 | 1.10 | 1.15 |



Компания «ЭлектроПласт» предлагает заключение долгосрочных отношений при поставках импортных электронных компонентов на взаимовыгодных условиях!

Наши преимущества:

- Оперативные поставки широкого спектра электронных компонентов отечественного и импортного производства напрямую от производителей и с крупнейших мировых складов;
- Поставка более 17-ти миллионов наименований электронных компонентов;
- Поставка сложных, дефицитных, либо снятых с производства позиций;
- Оперативные сроки поставки под заказ (от 5 рабочих дней);
- Экспресс доставка в любую точку России;
- Техническая поддержка проекта, помощь в подборе аналогов, поставка прототипов;
- Система менеджмента качества сертифицирована по Международному стандарту ISO 9001;
- Лицензия ФСБ на осуществление работ с использованием сведений, составляющих государственную тайну;
- Поставка специализированных компонентов (Xilinx, Altera, Analog Devices, Intersil, Interpoint, Microsemi, Aeroflex, Peregrine, Syfer, Eurofarad, Texas Instrument, Miteq, Cobham, E2V, MA-COM, Hittite, Mini-Circuits, General Dynamics и др.);

Помимо этого, одним из направлений компании «ЭлектроПласт» является направление «Источники питания». Мы предлагаем Вам помощь Конструкторского отдела:

- Подбор оптимального решения, техническое обоснование при выборе компонента;
- Подбор аналогов;
- Консультации по применению компонента;
- Поставка образцов и прототипов;
- Техническая поддержка проекта;
- Защита от снятия компонента с производства.



Как с нами связаться

Телефон: 8 (812) 309 58 32 (многоканальный)

Факс: 8 (812) 320-02-42

Электронная почта: org@eplast1.ru

Адрес: 198099, г. Санкт-Петербург, ул. Калинина, дом 2, корпус 4, литера А.