



## Backshells & Accessories

AS85049 - D38999 - MS





## Contents

### Overview

Typical applications .....	06
Features & Benefits .....	07
Range overview .....	08
General technical characteristics .....	10

### Backshell

AS85049 Series .....	14
----------------------	----

### Protective Covers

AS25 Series .....	96
D38999 Series .....	98
MS275 Series .....	100
MS31 Series .....	102

### Accessories

Shield support ring - AS85049 Series .....	108
Bushing strip - AS85049 Series.....	109
Clamping bands - AS85049 Series .....	110

### Appendix

Part number index.....	114
------------------------	-----

# MIL-SPEC PRODUCTS

# Overview

■ Typical applications .....	06
■ Features & Benefits .....	07
■ Range overview .....	08
■ General technical characteristics .....	10

## Typical applications



© Dell / Fotolia

Civil Aviation



© Glenn Fawcett

Ground Transportation



© Rainier Pleasanti / Fotolia

Industry



© Sascha Hahn / Shutterstock

Military Aircraft



© Dougg / Fotolia

Ground Army



© Alex Zabusk / Shutterstock

Military Marine

## Features & Benefits

### QPL

#### AS85049, D38999 & MS Qualified

SUNBANK offers a wide range of qualified products for your wiring assembly: backshells, cover & accessories.

### HIGH RELIABILITY

#### Self-Locking

SUNBANK has developed 2 self-locking mechanisms to withstand high vibrations. Non self-locking option is also available for mild environments.

### LIGHT-WEIGHT

#### High end Materials

Aerospace grade aluminum and composite materials are used to manufacture our products.

### ENVIRONMENTAL

#### Plating Compliance

Products are available in several surface finishes compliant with applicable environmental regulations.

### EMI/RFI

#### Signal Integrity

Many designs allowing shield attachment are available. Corrosion resistance and continuity is ensured by the material/plating combination.

**BACKSHELL**

**Cable clamp strain relief**



Connector type	AS85049 Series
AS50151 solder MIL-DTL-26482 Series 2 MIL-DTL-83723 Series 3 EN2997 & EN3646	AS85049/42 - page 65 ■ AS85049/43 - page 66 ■ AS85049/51 - page 71 ■ AS85049/52 - page 73 ■
MIL-DTL-27599 MIL-DTL-38999 Series I & II	AS85049/47 - page 69 ■ AS85049/49-2 - page 70 ■●
MIL-DTL-38999 Series III & IV EN3645	AS85049/21 - page 42 ■ AS85049/38 - page 63 ■● AS85049/39 - page 64 ■● AS85049/91, 92 - page 91 ▲ AS85049/103 - page 92 ▲ AS85049/104 - page 92 ▲ AS85049/105 - page 92 ■●

**Banding backshell**



Connector type	AS85049 Series
AS50151 crimp MIL-DTL-26482 Series 2 MIL-DTL-83723 Series 3 EN2997 & EN3646	AS85049/82 - page 88 ■ AS85049/83 - page 88 ■ AS85049/84 - page 88 ■
MIL-DTL-27599 MIL-DTL-38999 Series I & II	AS85049/85 - page 89 ■ AS85049/86 - page 89 ■ AS85049/87 - page 89 ■
MIL-DTL-38999 Series III & IV EN3645	AS85049/88 - page 90 ■▲ AS85049/89 - page 90 ■▲ AS85049/90 - page 90 ■▲

**Cable tie strain relief**



Connector type	AS85049 Series
AS50151 crimp MIL-DTL-26482 Series 2 MIL-DTL-83723 Series 3 EN2997 & EN3646	AS85049/53 - page 75 ■ AS85049/54 - page 75 ■ AS85049/55 - page 75 ■
MIL-DTL-38999 Series I & II	AS85049/57 - page 76 ■ AS85049/63 - page 82 ■
MIL-DTL-38999 Series III & IV EN3645	AS85049/15 - page 37 ■ AS85049/16 - page 37 ■

**EMI/RFI backshell**



Connector type	AS85049 Series
AS50151 crimp MIL-DTL-26482 Series 2 MIL-DTL-83723 Series 3 EN2997 & EN3646	AS85049/23 - page 43 ■● AS85049/24 - page 46 ■ AS85049/25 - page 49 ■ AS85049/26-1 - page 54 ■ AS85049/26-2 - page 55 ■ AS85049/26-3 - page 54 ■
MIL-DTL-27599 MIL-DTL-38999 Series I & II	AS85049/29 - page 57 ■ AS85049/33-2 - page 60 ■ AS85049/36 - page 61 ■ AS85049/37 - page 62 ■
MIL-DTL-38999 Series III & IV EN3645	AS85049/19 - page 40 ■ AS85049/20 - page 41 ■

**EMI & environmental backshell**



Connector type	AS85049 Series
AS50151 crimp	AS85049/6 - page 14 ■● AS85049/8 - page 20 ■● AS85049/10 - page 26 ■●
MIL-DTL-38999 Series I & II	AS85049/17 - page 38 ■ AS85049/76 - page 84 ■ AS85049/77 - page 85 ■
MIL-DTL-38999 Series III & IV	AS85049/18 - page 39 ■ AS85049/78 - page 86 ■ AS85049/79 - page 87 ■

**Environmental backshell**



Connector type	AS85049 Series
AS50151 crimp MIL-DTL-26482 Series 2 MIL-DTL-83723 Series 3 EN2997 & EN3646	AS85049/7 - page 17 ■● AS85049/9 - page 23 ■● AS85049/11 - page 31 ■●



## overview

### BACKSHELL

Grommet nut



Connector type	AS85049 Series
MIL-DTL-38999 Series I & II	AS85049/27 - page 56 ■
AS50151 crimp MIL-DTL-26482 Series 2 MIL-DTL-83723 Series 3 EN2997 & EN3646	AS85049/14 - page 36 ■ AS85049/31 - page 58 ■

Potting & shrink boot adapter



Connector type	AS85049 Series
AS50151 crimp MIL-DTL-26482 Series 2 MIL-DTL-83723 Series 3 EN2997 & EN3646	AS85049/60-1 - page 78 ■ AS85049/60-2G - page 79 ■
MIL-DTL-27599	AS85049/61 - page 80 ■
MIL-DTL-27599 MIL-DTL-38999 Series I & II	AS85049/62 - page 81 ■
MIL-DTL-38999 Series I & II	AS85049/58 - page 77 ■
MIL-DTL-38999 Series III & IV EN3645	AS85049/69 - page 83 ■

Strain relief flexible plastic body



Connector type	AS85049 Series
MIL-DTL-38999 Series I & II	AS85049/45 - page 67 ■ AS85049/46 - page 68 ■

### PROTECTIVE COVERS

Threaded mating



Connector type	Dust cover Series
AS50151	AS25042 - page 90 ■ AS25043 - page 91 ■
MIL-DTL-38999 Series III	D38999/32 - page 92 ■ D38999/33 - page 93 ■

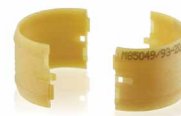
Bayonet mating



Connector type	Dust cover Series
MIL-DTL-38999 Series I	MS27501 - page 94 ■ MS27502 - page 95 ■
MIL-DTL-38999 Series I & II	MS27510 - page 96 ■ MS27511 - page 97 ■
MIL-DTL-38999 Series III & IV	MS3180 - page 98 ■ MS3181 - page 99 ■

### ACCESSORIES

Shield support ring



Connector type	AS85049 Series
All	AS85049/93 - page 102 ▲

Bushing strip



Connector type	AS85049 Series
All	AS85049/127 - page 103

Clamping band



Connector type	AS85049 Series
All	AS85049/128 - page 104 ●



## Description

- The SUNBANK AS85049 Series offers a very wide variety of circular solutions: EMI, environmental, straight, 45° or 90°, aluminum or composite, with strain relief or banding platform, etc... There is no doubt you'll find the right Mil-spec backshell for your assembly.
- The AS85049 Series regroups all our military standard QPL backshells.
- They are designed to fit the main circular connectors used in our industry: MIL-DTL-26482 Series 2, 83723 Series 1 & 3, 38999 Series I, II, III & IV, EN2997, EN3645, EN3646.
- Marking in accordance with: MIL-STD-1285.

## Technical features

### Materials

- Aluminum, Stainless steel, composite.

### Electrical

- **Shell conductivity:**  
Aluminum:  $R < 2.5m\Omega$   
Stainless steel:  $R < 2.5m\Omega$   
Composite:  $R < 5m\Omega$

### Environmental

- **Plating:**  
Nickel, Cadmium, Black anodized, Passivate (for stainless steel only)
- **Temperature range:**  
Electroless Nickel:  $-65^{\circ}\text{C}$  to  $+200^{\circ}\text{C}$   
Passivate:  $-65^{\circ}\text{C}$  to  $+200^{\circ}\text{C}$   
Other plating:  $-65^{\circ}\text{C}$  to  $+175^{\circ}\text{C}$

- **Salt spray resistance:**  
Aluminum shell:  
Electroless Nickel: 96 hours  
Black anodized: 500 hours  
Cadmium: 1.000 hours  
Stainless steel shell:  
Passivate: 1.000 hours  
Composite shell:  
Electroless Nickel: 2.000 hours  
Cadmium: 2.000 hours

## Notes

A large grid area for taking notes, consisting of 20 columns and 30 rows of small squares.

# MIL-Spec Products

# Backshell

AS85049/6.....	14
AS85049/7.....	17
AS85049/8.....	20
AS85049/9.....	23
AS85049/10.....	26
AS85049/11.....	31
AS85049/14.....	36
AS85049/15,16.....	37
AS85049/17.....	38
AS85049/18.....	39
AS85049/19.....	40
AS85049/20.....	41
AS85049/21.....	42
AS85049/23.....	43
AS85049/24.....	46
AS85049/25.....	49
AS85049/26-1, 26-3.....	54
AS85049/26-2.....	55
AS85049/27.....	56
AS85049/29.....	57
AS85049/31.....	58
AS85049/33-2.....	60
AS85049/36.....	61
AS85049/37.....	62
AS85049/38.....	63
AS85049/39.....	64
AS85049/42.....	65
AS85049/43.....	66
AS85049/45.....	67
AS85049/46.....	68
AS85049/47.....	69
AS85049/49-2.....	70
AS85049/51.....	71
AS85049/52.....	73
AS85049/53, 54, 55.....	75
AS85049/57.....	76
AS85049/58.....	77
AS85049/60-1.....	78
AS85049/60-2G.....	79
AS85049/61.....	80
AS85049/62.....	81
AS85049/63.....	82
AS85049/69.....	83
AS85049/76.....	84
AS85049/77.....	85
AS85049/78.....	86
AS85049/79.....	87
AS85049/82, 83, 84.....	88
AS85049/85, 86, 87.....	89
AS85049/88, 89, 90.....	90
AS85049/91, 92.....	91
AS85049/103, 104, 105.....	92

## AS85049/6 Series EMI/RFI environmental backshell - Aluminum 45°

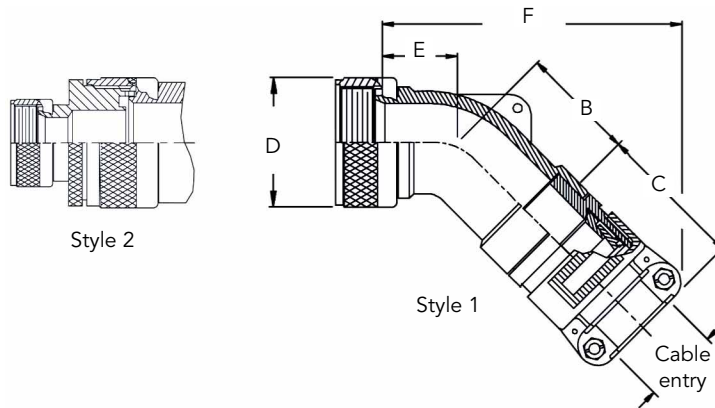
**For connectors:**

- AS50151 crimp
- EN2997 & EN3646
- MIL-DTL-26482 Series 2
- MIL-DTL-83723 Series 3

### Ordering information

<b>Basic Series</b>	<b>AS85049/6</b>	<b>24</b>	<b>W</b>
<b>Dash number</b> 1 to 75			
<b>Material and plating</b>			
W: Aluminum, olive drab cadmium over electroless nickel, 1000 hours salt spray			
N: Aluminum, electroless nickel			
S: Stainless steel, passivated			
B: Stainless steel, black cadmium			

### Dimensions



Dash number	Shell size	Style	B $\pm 0.062"/1.57$		C reference		$\varnothing$ D maxi		E $\pm 0.125"/3.17$		F maxi		Cable entry mini		Cable entry maxi	
			inch	mm	inch	mm	inch	mm	inch	mm	inch	mm	inch	mm	inch	mm
3	8	1	1.182	30.02	1.544	39.21	0.617	15.67	0.500	12.70	2.88	73.15	0.125	3.2	0.250	6.4
4	10	1	1.850	46.99	1.544	39.21	0.734	18.64	0.561	14.24	3.41	86.61	0.125	3.2	0.312	7.9
5	10	1	1.245	31.62	1.544	39.21	0.734	18.64	0.561	14.24	3.05	77.46	0.250	6.4	0.375	9.5
6	12	1	1.910	48.51	1.544	39.21	0.858	21.79	0.625	15.87	3.52	89.40	0.125	3.2	0.312	7.9
7	12	1	1.910	48.51	1.544	39.21	0.858	21.79	0.625	15.87	3.58	90.93	0.250	6.4	0.437	11.1
8	12	1	1.910	48.51	1.844	46.83	0.858	21.79	0.625	15.87	3.86	98.04	0.350	8.9	0.500	12.7
9	14	1	2.000	50.80	1.544	39.21	0.984	24.99	0.688	17.47	3.71	94.23	0.250	6.4	0.437	11.1
10	14	1	1.655	42.03	1.844	46.83	0.984	24.99	0.688	17.47	3.74	94.99	0.350	8.9	0.575	14.6
11	16	1	2.110	53.59	1.544	39.21	1.112	28.24	0.781	19.83	3.88	98.55	0.250	6.4	0.437	11.1
12	16	1	1.750	44.44	1.916	48.66	1.112	28.24	0.781	19.83	4.03	102.36	0.500	12.7	0.700	17.8
13	18	1	2.300	58.41	1.844	46.83	1.218	30.93	0.968	24.58	4.48	113.79	0.350	8.9	0.625	15.9

Continued on pages 15 and 16

Note: All dimensions are in inches and millimeters (inch/mm). For complete dimensions, see the applicable Military Specification. Cable entry is defined as the envelope area of the cable or wire bundle. It is not intended for inspection criteria.

**AS85049/6 Series (continued)**  
**EMI/RFI environmental backshell - Aluminum 45°**

**Dimensions**

Dash number	Shell size	Style	B $\pm 0.062"/1.57$		C reference		Ø D maxi		E $\pm 0.125"/3.17$		F maxi		Cable entry mini		Cable entry maxi	
			inch	mm	inch	mm	inch	mm	inch	mm	inch	mm	inch	mm	inch	mm
14	18	1	1.938	49.22	2.000	50.80	1.218	30.93	0.968	24.58	4.49	114.04	0.625	15.9	0.779	19.8
15	20	1	2.300	58.41	1.844	46.83	1.345	34.16	0.968	24.58	4.48	113.79	0.350	8.9	0.625	15.9
16	20	1	1.938	49.22	2.000	50.80	1.345	34.16	0.968	24.58	4.49	114.04	0.625	15.9	0.904	23.0
17	22	1	2.450	62.23	1.916	48.66	1.468	37.28	1.063	27.00	4.81	122.17	0.500	12.7	0.750	19.1
18	22	1	2.093	53.16	2.230	56.64	1.468	37.28	1.063	27.00	4.98	126.49	0.875	22.2	1.029	26.1
19	24	1	2.450	62.23	1.916	48.66	1.593	40.46	1.063	27.00	4.81	122.17	0.500	12.7	0.750	19.1
20	24	1	2.093	53.16	2.230	56.64	1.593	40.46	1.063	27.00	4.98	126.49	0.875	22.2	1.144	29.1
21	28	1	2.500	63.50	2.000	50.80	1.969	50.01	1.188	30.17	5.11	129.79	0.625	15.9	0.937	23.8
22	28	1	2.156	54.76	2.024	51.40	1.969	50.01	1.188	30.17	5.09	129.28	1.000	25.4	1.375	34.9
23	32	1	2.600	66.03	2.000	50.80	2.219	56.36	1.250	31.75	5.24	133.85	0.625	15.9	0.937	23.8
24	32	1	2.600	66.03	2.230	56.64	2.219	56.36	1.250	31.75	5.52	140.20	0.875	22.2	1.250	31.8
25	32	1	2.250	57.15	2.550	64.77	2.219	56.36	1.250	31.75	5.73	145.54	1.250	31.8	1.625	41.3
26	36	1	2.690	68.32	2.000	50.80	2.469	62.71	1.281	32.53	5.33	135.38	0.625	15.9	0.937	23.8
27	36	1	2.690	68.32	2.024	51.40	2.469	62.71	1.281	32.53	5.56	141.22	1.000	25.4	1.375	34.9
28	36	1	2.344	59.53	2.600	66.03	2.489	63.22	1.281	32.53	5.95	151.13	1.437	36.5	1.840	46.7
29	40	1	2.690	68.32	2.000	50.80	2.719	69.06	2.031	51.58	6.08	154.43	0.625	15.9	0.937	23.8
30	40	1	2.690	68.32	2.024	51.40	2.719	69.06	2.031	51.58	6.31	160.27	1.000	25.4	1.375	34.9
31	40	1	2.344	59.53	2.600	66.03	2.719	69.06	2.031	51.58	6.70	170.18	1.437	36.5	1.875	47.6
32	44	1	2.690	68.32	2.000	50.80	2.969	75.41	2.031	51.58	6.08	154.43	0.625	15.9	0.937	23.8
33	44	1	2.690	68.32	2.024	51.40	2.969	75.41	2.031	51.58	6.31	160.27	1.000	25.4	1.375	34.9
34	44	1	2.344	59.53	2.600	66.03	2.969	75.41	2.031	51.58	6.70	170.18	1.437	36.5	1.875	47.6
35	48	1	2.690	68.32	2.000	50.80	3.219	81.76	2.031	51.58	6.08	154.43	0.625	15.9	0.937	23.8
36	48	1	2.690	68.32	2.024	51.40	3.219	81.76	2.031	51.58	6.31	160.27	1.000	25.4	1.375	34.9
37	48	1	2.344	59.53	2.600	66.03	3.219	81.76	2.031	51.58	6.70	170.18	1.437	36.5	1.875	47.6
40	16	1	2.110	53.59	1.844	46.83	1.112	28.24	0.781	19.83	4.16	105.66	0.350	8.9	0.625	15.9
41	18	1	2.300	58.41	1.544	39.21	1.218	30.93	0.968	24.58	4.13	104.90	0.125	3.2	0.312	7.9
42	18	1	2.300	58.41	1.544	39.21	1.218	30.93	0.968	24.58	4.20	106.67	0.250	6.4	0.437	11.1
43	20	1	2.300	58.41	1.544	39.21	1.345	34.16	0.968	24.58	4.20	106.67	0.250	6.4	0.437	11.1
44	22	1	2.450	62.23	1.544	39.21	1.488	37.79	1.063	27.00	4.34	110.23	0.125	3.2	0.312	7.9
45	22	1	2.450	62.23	1.544	39.21	1.468	37.28	1.063	27.00	4.40	111.76	0.250	6.4	0.437	11.1
46	24	1	2.450	62.23	1.844	46.83	1.593	40.46	1.063	27.00	4.68	118.87	0.350	8.9	0.625	15.9
47	36	1	2.690	68.32	1.916	48.66	2.469	62.71	1.281	32.53	5.20	132.07	0.500	12.7	0.750	19.1
48	40	1	2.690	68.32	1.916	48.66	2.719	69.06	2.031	51.58	5.95	151.13	0.500	12.7	0.750	19.1
49	10	2	1.910	48.51	1.544	39.21	0.734	18.64	1.375	34.92	4.33	109.98	0.250	6.4	0.437	11.1
50	14	2	2.300	58.41	1.916	48.66	0.984	24.99	1.717	43.61	5.36	136.17	0.500	12.7	0.750	19.1
51	16	2	2.450	62.23	2.000	50.80	1.112	28.24	1.812	46.02	5.70	144.78	0.625	15.9	0.937	23.8

Continued from page 14 and continued on page 16

Note: All dimensions are in inches and millimeters (inch/mm). For complete dimensions, see the applicable Military Specification. Cable entry is defined as the envelope area of the cable or wire bundle. It is not intended for inspection criteria.

**AS85049/6 Series (continued)**  
**EMI/RFI environmental backshell - Aluminum 45°**

**Dimensions**

Dash number	Shell size	Style	B $\pm 0.062"/1.57$		C reference		Ø D maxi		E $\pm 0.125"/3.17$		F maxi		Cable entry mini		Cable entry maxi	
			inch	mm	inch	mm	inch	mm	inch	mm	inch	mm	inch	mm	inch	mm
52	18	1	2.300	58.41	1.916	48.66	1.218	30.93	0.968	24.58	4.61	117.09	0.500	12.7	0.750	19.1
54	20	1	2.300	58.41	1.916	48.66	1.345	34.16	0.968	24.58	4.61	117.09	0.500	12.7	0.750	19.1
55	20	2	2.500	63.50	2.230	56.64	1.345	34.16	1.936	49.17	6.14	155.95	0.875	22.2	1.250	31.8
56	22	1	2.450	62.23	1.844	46.83	1.468	37.28	1.063	27.00	4.68	118.87	0.350	8.9	0.625	15.9
57	22	1	2.450	62.23	2.000	50.80	1.468	37.28	1.063	27.00	4.95	125.73	0.625	15.9	0.937	23.8
58	22	2	2.500	63.50	2.230	56.64	1.468	37.28	1.936	49.17	6.14	155.95	0.875	22.2	1.250	31.8
59	24	1	2.450	62.23	2.000	50.80	1.593	40.46	1.063	27.00	4.95	125.73	0.625	15.9	0.937	23.8
60	28	1	2.500	63.50	1.916	48.66	1.969	50.01	1.188	30.17	4.97	126.23	0.500	12.7	0.750	19.1
61	28	1	2.500	63.50	2.230	56.64	1.969	50.01	1.188	30.17	5.39	136.90	0.875	22.2	1.250	31.8
62	32	1	2.600	66.03	2.024	51.40	2.219	56.36	1.250	31.75	5.47	138.93	1.000	25.4	1.375	34.9
63	36	1	2.690	68.32	2.230	56.64	2.469	62.71	1.281	32.53	5.62	142.74	0.875	22.2	1.250	31.8
64	36	1	2.690	68.32	2.550	64.77	2.469	62.71	1.281	32.53	6.08	154.43	1.250	31.8	1.625	41.3
65	40	1	2.690	68.32	2.230	56.64	2.719	69.06	2.031	51.58	6.37	161.79	0.875	22.2	1.250	31.8
66	40	1	2.690	68.32	2.550	64.77	2.719	69.06	2.031	51.58	6.83	173.48	1.250	31.8	1.625	41.3
67	44	1	2.690	68.32	2.230	56.64	2.969	75.41	2.031	51.58	6.37	161.79	0.875	22.2	1.250	31.8
68	44	1	2.690	68.32	2.550	64.77	2.969	75.41	2.031	51.58	6.83	173.48	1.250	31.8	1.625	41.3
69	48	1	2.690	68.32	2.230	56.64	3.219	81.76	2.031	51.58	6.37	161.79	0.875	22.2	1.250	31.8
70	48	1	2.690	68.32	2.550	64.77	3.219	81.76	2.031	51.58	6.83	173.48	1.250	31.8	1.625	41.3
71	12	2	2.110	53.59	1.844	46.83	0.858	21.79	1.529	38.83	4.90	124.46	0.350	8.9	0.625	15.9
72	18	2	2.450	62.23	2.000	50.80	1.218	30.93	1.812	46.02	5.69	144.52	0.625	15.9	0.937	23.8
73	24	2	2.500	63.50	2.230	56.64	1.593	40.46	1.936	49.17	6.13	155.70	0.875	22.2	1.250	31.8
74	14	1	2.000	50.80	1.544	39.21	0.984	24.99	0.688	17.47	3.64	92.45	0.125	3.2	0.312	7.9
75	16	1	2.110	53.59	1.544	39.21	1.112	28.24	0.781	19.83	3.81	96.77	0.125	3.2	0.312	7.9

Continued from page 15

Note: All dimensions are in inches and millimeters (inch/mm). For complete dimensions, see the applicable Military Specification. Cable entry is defined as the envelope area of the cable or wire bundle. It is not intended for inspection criteria.



## AS85049/7 Series Environmental backshell - Aluminum 45°

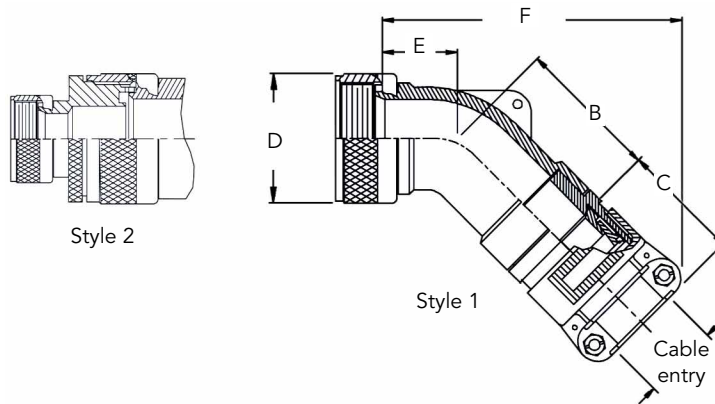
**For connectors:**

- AS50151 crimp
- EN2997 & EN3646
- MIL-DTL-26482 Series 2
- MIL-DTL-83723 Series 3

### Ordering information

<b>Basic Series</b>	<b>AS85049/7</b>	<b>24</b>	<b>W</b>
<b>Dash number</b> 3 to 75			
<b>Material and plating</b>			
B: Stainless steel, black cadmium			
N: Aluminum, electroless nickel			
S: Stainless steel, passivated			
W: Aluminum, olive drab cadmium over electroless nickel, 1000 hours salt spray			

### Dimensions



Dash number	Shell size	Style	B $\pm 0.062"/1.57$		C reference		$\varnothing D$ maxi		E $\pm 0.125"/3.17$		F maxi		Cable entry mini		Cable entry maxi	
			inch	mm	inch	mm	inch	mm	inch	mm	inch	mm	inch	mm	inch	mm
3	8	1	1.182	30.02	1.027	26.1	0.617	15.67	0.500	12.70	2.88	73.15	0.125	3.2	0.250	6.4
4	10	1	1.850	46.99	1.027	26.1	0.734	18.64	0.561	14.24	3.41	86.61	0.125	3.2	0.312	7.9
5	10	1	1.245	31.62	1.027	26.1	0.734	18.64	0.561	14.24	3.05	77.46	0.250	6.4	0.375	9.5
6	12	1	1.910	48.51	1.027	26.1	0.858	21.79	0.625	15.87	3.52	89.40	0.125	3.2	0.312	7.9
7	12	1	1.910	48.51	1.027	26.1	0.858	21.79	0.625	15.87	3.58	90.93	0.250	6.4	0.437	11.1
8	12	1	1.910	48.51	1.027	26.1	0.858	21.79	0.625	15.87	3.86	98.04	0.350	8.9	0.500	12.7
9	14	1	2.000	50.80	1.027	26.1	0.984	24.99	0.688	17.47	3.71	94.23	0.250	6.4	0.437	11.1
10	14	1	1.655	42.03	1.027	26.1	0.984	24.99	0.688	17.47	3.74	94.99	0.350	8.9	0.575	14.6
11	16	1	2.110	53.59	1.027	26.1	1.112	28.24	0.781	19.83	3.88	98.55	0.250	6.4	0.437	11.1
12	16	1	1.750	44.44	1.059	26.9	1.112	28.24	0.781	19.83	4.03	102.36	0.500	12.7	0.700	17.8
13	18	1	2.300	58.41	1.027	26.1	1.218	30.93	0.968	24.58	4.48	113.79	0.350	8.9	0.625	15.9

Continued on pages 18 and 19

Note: All dimensions are in inches and millimeters (inch/mm). For complete dimensions, see the applicable Military Specification. Cable entry is defined as the envelope area of the cable or wire bundle. It is not intended for inspection criteria.

**AS85049/7 Series (continued)**  
**Environmental backshell - Aluminum 45°**

**Dimensions**

Dash number	Shell size	Style	B $\pm 0.062"/1.57$		C reference		Ø D maxi		E $\pm 0.125"/3.17$		F maxi		Cable entry mini		Cable entry maxi	
			inch	mm	inch	mm	inch	mm	inch	mm	inch	mm	inch	mm	inch	mm
14	18	1	1.938	49.22	1.156	29.4	1.218	30.93	0.968	24.58	4.49	114.04	0.625	15.9	0.779	19.8
15	20	1	2.300	58.41	1.027	26.1	1.345	34.16	0.968	24.58	4.48	113.79	0.350	8.9	0.625	15.9
16	20	1	1.938	49.22	1.156	29.4	1.345	34.16	0.968	24.58	4.49	114.04	0.625	15.9	0.904	23.0
17	22	1	2.450	62.23	1.059	26.9	1.468	37.28	1.063	27.00	4.81	122.17	0.500	12.7	0.750	19.1
18	22	1	2.093	53.16	1.375	34.9	1.468	37.28	1.063	27.00	4.98	126.49	0.875	22.2	1.029	26.1
19	24	1	2.450	62.23	1.059	26.9	1.593	40.46	1.063	27.00	4.81	122.17	0.500	12.7	0.750	19.1
20	24	1	2.093	53.16	1.375	34.9	1.593	40.46	1.063	27.00	4.98	126.49	0.875	22.2	1.144	29.1
21	28	1	2.500	63.50	1.156	33.7	1.969	50.01	1.188	30.17	5.11	129.79	0.625	15.9	0.937	23.8
22	28	1	2.156	54.76	1.500	38.1	1.969	50.01	1.188	30.17	5.09	129.28	1.000	25.4	1.375	34.9
23	32	1	2.600	66.03	1.156	29.4	2.219	56.36	1.250	31.75	5.24	133.85	0.625	15.9	0.937	23.8
24	32	1	2.600	66.03	1.375	34.9	2.219	56.36	1.250	31.75	5.52	140.20	0.875	22.2	1.250	31.8
25	32	1	2.250	57.15	1.781	45.2	2.219	56.36	1.250	31.75	5.73	145.54	1.250	31.8	1.625	41.3
26	36	1	2.690	68.32	1.156	29.4	2.469	62.71	1.281	32.53	5.33	135.38	0.625	15.9	0.937	23.8
27	36	1	2.690	68.32	1.500	38.1	2.469	62.71	1.281	32.53	5.56	141.22	1.000	25.4	1.375	34.9
28	36	1	2.344	59.53	1.830	46.5	2.489	63.22	1.281	32.53	5.95	151.13	1.437	36.5	1.840	46.7
29	40	1	2.690	68.32	1.156	29.4	2.719	69.06	2.031	51.58	6.08	154.43	0.625	15.9	0.937	23.8
30	40	1	2.690	68.32	1.500	38.1	2.719	69.06	2.031	51.58	6.31	160.27	1.000	25.4	1.375	34.9
31	40	1	2.344	59.53	1.830	46.5	2.719	69.06	2.031	51.58	6.70	170.18	1.437	36.5	1.875	47.6
32	44	1	2.690	68.32	1.156	29.4	2.969	75.41	2.031	51.58	6.08	154.43	0.625	15.9	0.937	23.8
33	44	1	2.690	68.32	1.500	38.1	2.969	75.41	2.031	51.58	6.31	160.27	1.000	25.4	1.375	34.9
34	44	1	2.344	59.53	1.830	46.5	2.969	75.41	2.031	51.58	6.70	170.18	1.437	36.5	1.875	47.6
35	48	1	2.690	68.32	1.156	29.4	3.219	81.76	2.031	51.58	6.08	154.43	0.625	15.9	0.937	23.8
36	48	1	2.690	68.32	1.500	38.1	3.219	81.76	2.031	51.58	6.31	160.27	1.000	25.4	1.375	34.9
37	48	1	2.344	59.53	1.830	46.5	3.219	81.76	2.031	51.58	6.70	170.18	1.437	36.5	1.875	47.6
40	16	1	2.110	53.59	1.027	26.1	1.112	28.24	0.781	19.83	4.16	105.66	0.350	8.9	0.625	15.9
41	18	1	2.300	58.41	1.027	26.1	1.218	30.93	0.968	24.58	4.13	104.90	0.125	3.2	0.312	7.9
42	18	1	2.300	58.41	1.027	26.1	1.218	30.93	0.968	24.58	4.20	106.67	0.250	6.4	0.437	11.1
43	20	1	2.300	58.41	1.027?	26.1?	1.345	34.16	0.968	24.58	4.20	106.67	0.250	6.4	0.437	11.1
44	22	1	2.450	62.23	1.027	26.1	1.488	37.79	1.063	27.00	4.34	110.23	0.125	3.2	0.312	7.9
45	22	1	2.450	62.23	1.027	26.1	1.468	37.28	1.063	27.00	4.40	111.76	0.250	6.4	0.437	11.1
46	24	1	2.450	62.23	1.027	26.1	1.593	40.46	1.063	27.00	4.68	118.87	0.350	8.9	0.625	15.9
47	36	1	2.690	68.32	1.059	26.9	2.469	62.71	1.281	32.53	5.20	132.07	0.500	12.7	0.750	19.1
48	40	1	2.690	68.32	1.059	26.9	2.719	69.06	2.031	51.58	5.95	151.13	0.500	12.7	0.750	19.1
49	10	2	1.910	48.51	1.027	26.1	0.734	18.64	1.375	34.92	4.33	109.98	0.250	6.4	0.437	11.1
50	14	2	2.300	58.41	1.059	26.9	0.984	24.99	1.717	43.61	5.36	136.17	0.500	12.7	0.750	19.1
51	16	2	2.450	62.23	1.156	29.4	1.112	28.24	1.812	46.02	5.70	144.78	0.625	15.9	0.937	23.8

Continued from page 17 and continued on page 19

Note: All dimensions are in inches and millimeters (inch/mm). For complete dimensions, see the applicable Military Specification. Cable entry is defined as the envelope area of the cable or wire bundle. It is not intended for inspection criteria.

**AS85049/7 Series (continued)**  
**Environmental backshell - Aluminum 45°**

**Dimensions**

Dash number	Shell size	Style	B $\pm 0.062"/1.57$		C reference		Ø D maxi		E $\pm 0.125"/3.17$		F maxi		Cable entry mini		Cable entry maxi	
			inch	mm	inch	mm	inch	mm	inch	mm	inch	mm	inch	mm	inch	mm
52	18	1	2.300	58.41	1.059	26.9	1.218	30.93	0.968	24.58	4.61	117.09	0.500	12.7	0.750	19.1
54	20	1	2.300	58.41	1.059	26.9	1.345	34.16	0.968	24.58	4.61	117.09	0.500	12.7	0.750	19.1
55	20	2	2.500	63.50	1.375	34.9	1.345	34.16	1.936	49.17	6.14	155.95	0.875	22.2	1.250	31.8
56	22	1	2.450	62.23	1.027	26.1	1.468	37.28	1.063	27.00	4.68	118.87	0.350	8.9	0.625	15.9
57	22	1	2.450	62.23	1.156	29.4	1.468	37.28	1.063	27.00	4.95	125.73	0.625	15.9	0.937	23.8
58	22	2	2.500	63.50	1.375	34.9	1.468	37.28	1.936	49.17	6.14	155.95	0.875	22.2	1.250	31.8
59	24	1	2.450	62.23	1.156	29.4	1.593	40.46	1.063	27.00	4.95	125.73	0.625	15.9	0.937	23.8
60	28	1	2.500	63.50	1.059	26.9	1.969	50.01	1.188	30.17	4.97	126.23	0.500	12.7	0.750	19.1
61	28	1	2.500	63.50	1.375	34.9	1.969	50.01	1.188	30.17	5.39	136.90	0.875	22.2	1.250	31.8
62	32	1	2.600	66.03	1.500	38.1	2.219	56.36	1.250	31.75	5.47	138.93	1.000	25.4	1.375	34.9
63	36	1	2.690	68.32	1.375	34.9	2.469	62.71	1.281	32.53	5.62	142.74	0.875	22.2	1.250	31.8
64	36	1	2.690	68.32	1.781	45.2	2.469	62.71	1.281	32.53	6.08	154.43	1.250	31.8	1.625	41.3
65	40	1	2.690	68.32	1.375	34.9	2.719	69.06	2.031	51.58	6.37	161.79	0.875	22.2	1.250	31.8
66	40	1	2.690	68.32	1.781	45.2	2.719	69.06	2.031	51.58	6.83	173.48	1.250	31.8	1.625	41.3
67	44	1	2.690	68.32	1.375	34.9	2.969	75.41	2.031	51.58	6.37	161.79	0.875	22.2	1.250	31.8
68	44	1	2.690	68.32	1.781	45.2	2.969	75.41	2.031	51.58	6.83	173.48	1.250	31.8	1.625	41.3
69	48	1	2.690	68.32	1.375	34.9	3.219	81.76	2.031	51.58	6.37	161.79	0.875	22.2	1.250	31.8
70	48	1	2.690	68.32	1.781	45.2	3.219	81.76	2.031	51.58	6.83	173.48	1.250	31.8	1.625	41.3
71	12	2	2.110	53.59	1.027	26.1	0.858	21.79	1.529	38.83	4.90	124.46	0.350	8.9	0.625	15.9
72	18	2	2.450	62.23	1.156	29.4	1.218	30.93	1.812	46.02	5.69	144.52	0.625	15.9	0.937	23.8
73	24	2	2.500	63.50	1.375	34.9	1.593	40.46	1.936	49.17	6.13	155.70	0.875	22.2	1.250	31.8
74	14	1	2.000	50.80	1.027	26.1	0.984	24.99	0.688	17.47	3.64	92.45	0.125	3.2	0.312	7.9
75	16	1	2.110	53.59	1.027	26.1	1.112	28.24	0.781	19.83	3.81	96.77	0.125	3.2	0.312	7.9

Continued from page 18

Note: All dimensions are in inches and millimeters (inch/mm). For complete dimensions, see the applicable Military Specification. Cable entry is defined as the envelope area of the cable or wire bundle. It is not intended for inspection criteria.

## AS85049/8 Series EMI/RFI environmental backshell - Aluminum 90°

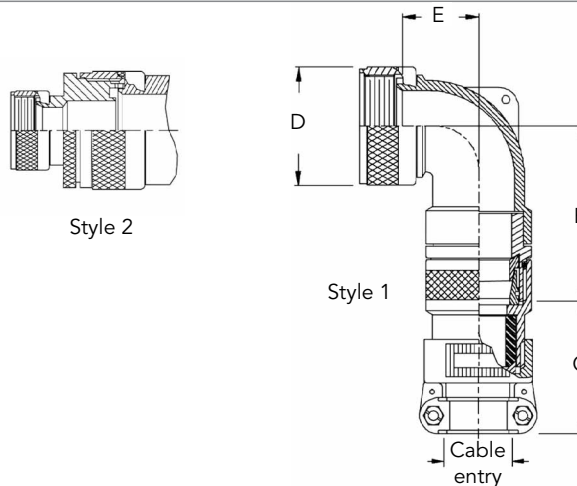
**For connectors:**

- AS50151 crimp
- EN2997 & EN3646
- MIL-DTL-26482 Series 2
- MIL-DTL-83723 Series 3

### Ordering information

<b>Basic Series</b>	<b>AS85049/8</b>	<b>24</b>	<b>W</b>
<b>Dash number</b> 3 to 75			
<b>Material and plating</b>			
W: Aluminum, olive drab cadmium over electroless nickel, 1000 hours salt spray			
N: Aluminum, electroless nickel			
S: Stainless steel, passivated			
B: Stainless steel, black cadmium			

### Dimensions



Dash number	Shell size	Style	B $\pm 0.062/1.57$		C reference		$\varnothing$ D maxi		E $\pm 0.125/3.17$		F maxi		Cable entry mini		Cable entry maxi	
			inch	mm	inch	mm	inch	mm	inch	mm	inch	mm	inch	mm	inch	mm
3	8	1	1.200	30.47	1.544	39.21	0.617	15.67	0.541	13.74	1.09	27.68	0.125	3.2	0.250	6.4
4	10	1	1.920	48.76	1.544	39.21	0.734	18.64	0.636	16.15	1.18	29.97	0.125	3.2	0.312	7.9
5	10	1	1.320	33.52	1.544	39.21	0.734	18.64	0.636	16.15	1.27	32.25	0.250	6.4	0.375	9.5
6	12	1	1.940	49.27	1.544	39.21	0.858	21.79	0.641	16.28	1.18	29.97	0.125	3.2	0.312	7.9
7	12	1	1.940	49.27	1.544	39.21	0.858	21.79	0.641	16.28	1.28	32.51	0.250	6.4	0.437	11.1
8	12	1	1.335	33.90	1.844	46.83	0.858	21.79	0.641	16.28	1.37	34.79	0.350	8.9	0.500	12.7
9	14	1	2.012	51.10	1.544	39.21	0.984	24.99	0.741	18.82	1.38	35.05	0.250	6.4	0.437	11.1
10	14	1	1.655	42.03	1.844	46.83	0.984	24.99	0.741	18.82	1.47	37.33	0.350	8.9	0.575	14.6
11	16	1	2.100	53.33	1.544	39.21	1.112	28.24	0.926	23.52	1.59	40.38	0.250	6.4	0.437	11.1
12	16	1	1.745	44.32	1.916	48.66	1.112	28.24	0.926	23.52	1.77	44.95	0.500	12.7	0.700	17.8
13	18	1	2.270	57.65	1.844	46.83	1.218	30.93	1.016	25.80	1.80	45.72	0.350	8.9	0.625	15.9

Continued on pages 21 and 22

Note: All dimensions are in inches and millimeters (inch/mm). For complete dimensions, see the applicable Military Specification. Cable entry is defined as the envelope area of the cable or wire bundle. It is not intended for inspection criteria.

**AS85049/8 Series (continued)**  
**EMI/RFI environmental backshell - Aluminum 90°**

**Dimensions**

Dash number	Shell size	Style	B $\pm 0.062"/1.57$		C reference		Ø D maxi		E $\pm 0.125"/3.17$		F maxi		Cable entry mini		Cable entry maxi	
			inch	mm	inch	mm	inch	mm	inch	mm	inch	mm	inch	mm	inch	mm
14	18	1	1.920	48.76	2.000	50.80	1.218	30.93	1.016	25.80	1.97	50.03	0.625	15.9	0.779	19.8
15	20	1	2.270	57.65	1.844	46.83	1.345	34.16	1.016	25.80	1.80	45.72	0.350	8.9	0.625	15.9
16	20	1	1.920	48.76	2.000	50.80	1.345	34.16	1.016	25.80	1.97	50.03	0.625	15.9	0.904	23.0
17	22	1	2.380	60.45	1.916	48.66	1.468	37.28	1.166	29.61	2.11	53.59	0.500	12.7	0.750	19.1
18	22	1	2.025	51.43	2.230	56.64	1.468	37.28	1.166	29.61	2.29	58.16	0.875	22.2	1.029	26.1
19	24	1	2.380	60.45	1.916	48.66	1.593	40.46	1.166	29.61	2.11	53.59	0.500	12.7	0.750	19.1
20	24	1	2.025	51.43	2.230	56.64	1.593	40.46	1.166	29.61	2.29	58.16	0.875	22.2	1.144	29.1
21	28	1	2.550	64.77	2.000	50.80	1.969	50.01	1.266	32.15	2.33	59.18	0.625	15.9	0.937	23.8
22	28	1	2.195	55.75	2.024	51.40	1.969	50.01	1.266	32.15	2.51	63.75	1.000	25.4	1.375	34.9
23	32	1	2.800	71.11	2.000	50.80	2.219	56.36	1.616	41.04	2.81	71.37	0.625	15.9	0.937	23.8
24	32	1	2.800	71.11	2.230	56.64	2.219	56.36	1.616	41.04	2.81	71.37	0.875	22.2	1.250	31.8
25	32	1	2.445	62.10	2.550	64.77	2.219	56.36	1.616	41.04	3.07	77.97	1.250	31.8	1.625	41.3
26	36	1	2.770	70.35	2.000	50.80	2.469	62.71	1.816	46.12	3.13	79.50	0.625	15.9	0.937	23.8
27	36	1	2.770	70.35	2.024	51.40	2.469	62.71	1.816	46.12	3.13	79.50	1.000	25.4	1.375	34.9
28	36	1	2.415	61.34	2.600	66.03	2.489	63.22	1.816	46.12	3.39	86.10	1.437	36.5	1.840	46.7
29	40	1	2.770	70.35	2.000	50.80	2.719	69.06	2.566	65.17	3.88	98.55	0.625	15.9	0.937	23.8
30	40	1	2.770	70.35	2.024	51.40	2.719	69.06	2.566	65.17	3.88	98.55	1.000	25.4	1.375	34.9
31	40	1	2.415	61.34	2.600	66.03	2.719	69.06	2.566	65.17	4.14	105.15	1.437	36.5	1.875	47.6
32	44	1	2.770	70.35	2.000	50.80	2.969	75.41	2.566	65.17	3.88	98.55	0.625	15.9	0.937	23.8
33	44	1	2.770	70.35	2.024	51.40	2.969	75.41	2.566	65.17	3.88	98.55	1.000	25.4	1.375	34.9
34	44	1	2.415	61.34	2.600	66.03	2.969	75.41	2.566	65.17	4.14	105.15	1.437	36.5	1.875	47.6
35	48	1	2.770	70.35	2.000	50.80	3.219	81.76	2.566	65.17	3.88	98.55	0.625	15.9	0.937	23.8
36	48	1	2.770	70.35	2.024	51.40	3.219	81.76	2.566	65.17	3.88	98.55	1.000	25.4	1.375	34.9
37	48	1	2.415	61.34	2.600	66.03	3.219	81.76	2.566	65.17	4.14	105.15	1.437	36.5	1.875	47.6
40	16	1	2.100	53.33	1.844	46.83	1.112	28.24	0.926	23.52	1.66	42.16	0.350	8.9	0.625	15.9
41	18	1	2.270	57.65	1.544	39.21	1.218	30.93	1.016	25.80	1.80	45.72	0.125	3.2	0.312	7.9
42	18	1	2.270	57.65	1.544	39.21	1.218	30.93	1.016	25.80	1.80	45.72	0.250	6.4	0.437	11.1
43	20	1	2.270	57.65	1.544	39.21	1.345	34.16	1.016	25.80	1.80	45.72	0.250	6.4	0.437	11.1
44	22	1	2.380	60.45	1.544	39.21	1.488	37.79	1.166	29.61	2.11	53.59	0.125	3.2	0.312	7.9
45	22	1	2.380	60.45	1.544	39.21	1.468	37.28	1.166	29.61	2.11	53.59	0.250	6.4	0.437	11.1
46	24	1	2.380	60.45	1.844	46.83	1.593	40.46	1.166	29.61	2.11	53.59	0.350	8.9	0.625	15.9
47	36	1	2.770	57.65	1.916	48.66	2.469	62.71	1.816	46.12	3.13	79.50	0.500	12.7	0.750	19.1
48	40	1	2.770	70.35	1.916	48.66	2.719	69.06	1.816	46.12	3.88	98.55	0.500	12.7	0.750	19.1
49	10	2	1.940	49.27	1.544	39.21	0.734	18.64	1.391	35.33	2.03	51.56	0.250	6.4	0.437	11.1
50	14	2	2.270	57.65	1.916	48.66	0.984	24.99	1.766	44.85	2.61	66.29	0.500	12.7	0.750	19.1
51	16	2	2.380	60.45	2.000	50.80	1.112	28.24	1.916	48.66	2.87	72.89	0.625	15.9	0.937	23.8

Continued from page 20 and continued on page 22

Note: All dimensions are in inches and millimeters (inch/mm). For complete dimensions, see the applicable Military Specification. Cable entry is defined as the envelope area of the cable or wire bundle. It is not intended for inspection criteria.

**AS85049/8 Series (continued)**  
**EMI/RFI environmental backshell - Aluminum 90°**

**Dimensions**

Dash number	Shell size	Style	B $\pm 0.062"/1.57$		C reference		Ø D maxi		E $\pm 0.125"/3.17$		F maxi		Cable entry mini		Cable entry maxi	
			inch	mm	inch	mm	inch	mm	inch	mm	inch	mm	inch	mm	inch	mm
52	18	1	2.270	57.65	1.916	48.66	1.218	30.93	1.016	25.80	1.86	47.24	0.500	12.7	0.750	19.1
54	20	1	2.270	57.65	1.916	48.66	1.345	34.16	1.016	25.80	1.86	47.24	0.500	12.7	0.750	19.1
55	20	2	2.550	64.77	2.230	56.64	1.345	34.16	2.016	51.20	3.14	79.75	0.875	22.2	1.250	31.8
56	22	1	2.380	60.45	1.844	46.83	1.468	37.28	1.166	29.61	2.11	53.59	0.350	8.9	0.625	15.9
57	22	1	2.380	60.45	2.000	50.80	1.468	37.28	1.166	29.61	2.12	53.84	0.625	15.9	0.937	23.8
58	22	2	2.550	64.77	2.230	56.64	1.468	37.28	2.016	51.20	3.14	79.75	0.875	22.2	1.250	31.8
59	24	1	2.380	60.45	2.000	50.80	1.593	40.46	1.166	29.61	2.14	54.35	0.625	15.9	0.937	23.8
60	28	1	2.550	64.77	1.916	48.66	1.969	50.01	1.266	30.88	2.33	59.18	0.500	12.7	0.750	19.1
61	28	1	2.550	64.77	2.230	56.64	1.969	50.01	1.266	30.88	2.39	60.70	0.875	22.2	1.250	31.8
62	32	1	2.800	71.11	2.024	51.40	2.219	56.36	1.616	41.04	2.86	72.64	1.000	25.4	1.375	34.9
63	36	1	2.770	70.35	2.230	56.64	2.469	62.71	1.816	46.12	3.13	79.50	0.875	22.2	1.250	31.8
64	36	1	2.770	70.35	2.550	64.77	2.469	62.71	1.816	46.12	3.27	83.05	1.250	31.8	1.625	41.3
65	40	1	2.770	70.35	2.230	56.64	2.719	69.06	2.566	65.17	3.88	98.55	0.875	22.2	1.250	31.8
66	40	1	2.770	70.35	2.550	64.77	2.719	69.06	2.566	65.17	4.02	102.10	1.250	31.8	1.625	41.3
67	44	1	2.770	70.35	2.230	56.64	2.969	75.41	2.566	65.17	3.88	98.55	0.875	22.2	1.250	31.8
68	44	1	2.770	70.35	2.550	64.77	2.969	75.41	2.566	65.17	4.02	102.10	1.250	31.8	1.625	41.3
69	48	1	2.770	70.35	2.230	56.64	3.219	81.76	2.566	65.17	3.88	98.55	0.875	22.2	1.250	31.8
70	48	1	2.770	70.35	2.550	64.77	3.219	81.76	2.566	65.17	4.02	102.10	1.250	31.8	1.625	41.3
71	12	2	2.100	53.33	1.844	46.83	0.858	21.79	1.686	42.82	2.42	61.46	0.350	8.9	0.625	15.9
72	18	2	2.380	60.45	2.000	50.80	1.218	30.93	1.926	48.92	2.88	73.015	0.625	15.9	0.937	23.8
73	24	2	2.550	64.77	2.230	56.64	1.593	40.46	2.026	51.46	3.15	80.00	0.875	22.2	1.250	31.8
74	14	1	2.010	51.05	1.544	39.21	0.984	24.99	0.741	18.82	1.31	33.27	0.125	3.2	0.312	7.9
75	16	1	2.100	53.33	1.544	39.21	1.112	28.24	0.926	23.52	1.59	40.38	0.125	3.2	0.312	7.9

Continued from page 21

Note: All dimensions are in inches and millimeters (inch/mm). For complete dimensions, see the applicable Military Specification. Cable entry is defined as the envelope area of the cable or wire bundle. It is not intended for inspection criteria.

## AS85049/9 Series Environmental backshell - Aluminum 90°

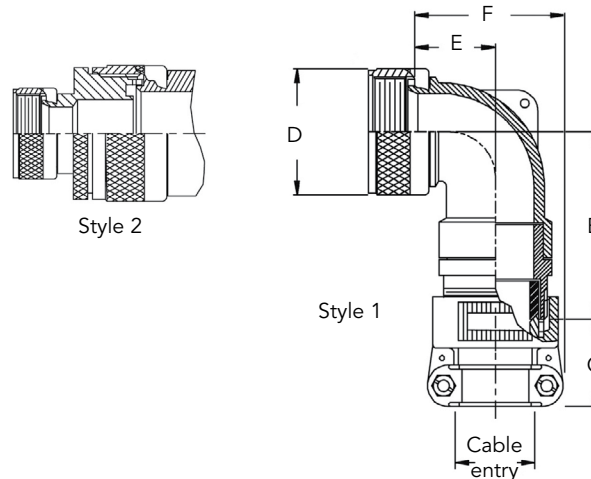
**For connectors:**

- AS50151 crimp
- EN2997 & EN3646
- MIL-DTL-26482 Series 2
- MIL-DTL-83723 Series 3

**Ordering information**

<b>Basic Series</b>	<b>AS85049/9</b>	<b>24</b>	<b>W</b>
<b>Dash number</b> 3 to 75			
<b>Material and plating</b>			
W: Aluminum, olive drab cadmium over electroless nickel, 1000 hours salt spray			
N: Aluminum, electroless nickel			
S: Stainless steel, passivated			
B: Stainless steel, black cadmium			

### Dimensions



Dash number	Shell size	Style	B $\pm 0.062/1.57$		C reference		$\varnothing$ D maxi		E $\pm 0.125/3.17$		F maxi		Cable entry mini		Cable entry maxi	
			inch	mm	inch	mm	inch	mm	inch	mm	inch	mm	inch	mm	inch	mm
3	8	1	1.200	30.47	1.027	26.1	0.617	15.67	0.541	13.74	1.48	37.59	0.125	3.2	0.250	6.4
4	10	1	1.920	48.76	1.027	26.1	0.734	18.64	0.636	16.15	1.57	39.87	0.125	3.2	0.312	7.9
5	10	1	1.320	33.52	1.027	26.1	0.734	18.64	0.636	16.15	1.66	42.16	0.250	6.4	0.375	9.5
6	12	1	1.940	49.27	1.027	26.1	0.858	21.79	0.641	16.28	1.57	39.87	0.125	3.2	0.312	7.9
7	12	1	1.940	49.27	1.027	26.1	0.858	21.79	0.641	16.28	1.67	42.41	0.250	6.4	0.437	11.1
8	12	1	1.335	33.90	1.027	26.1	0.858	21.79	0.641	16.28	1.76	44.70	0.350	8.9	0.500	12.7
9	14	1	2.012	51.10	1.027	26.1	0.984	24.99	0.741	18.82	1.77	44.95	0.250	6.4	0.437	11.1
10	14	1	1.655	42.03	1.027	26.1	0.984	24.99	0.741	18.82	1.86	47.24	0.350	8.9	0.575	14.6
11	16	1	2.100	53.33	1.027	26.1	1.112	28.24	0.926	23.52	1.98	50.29	0.250	6.4	0.437	11.1
12	16	1	1.745	44.32	1.059	26.9	1.112	28.24	0.926	23.52	2.16	54.86	0.500	12.7	0.700	17.8
13	18	1	2.270	57.65	1.027	26.1	1.218	30.93	1.016	25.80	2.19	55.62	0.350	8.9	0.625	15.9

Continued on pages 24 and 25

Note: All dimensions are in inches and millimeters (inch/mm). For complete dimensions, see the applicable Military Specification. Cable entry is defined as the envelope area of the cable or wire bundle. It is not intended for inspection criteria.

**AS85049/9 Series (continued)**  
**Environmental backshell - Aluminum 90°**

**Dimensions**

Dash number	Shell size	Style	B $\pm 0.062/1.57$		C reference		Ø D maxi		E $\pm 0.125/3.17$		H maxi		Cable entry mini		Cable entry maxi	
			inch	mm	inch	mm	inch	mm	inch	mm	inch	mm	inch	mm	inch	mm
14	18	1	1.920	48.76	1.156	29.4	1.218	30.93	1.016	25.80	2.36	59.94	0.625	15.9	0.779	19.8
15	20	1	2.270	57.65	1.027	26.1	1.345	34.16	1.016	25.80	2.19	55.62	0.350	8.9	0.625	15.9
16	20	1	1.920	48.76	1.156	29.4	1.345	34.16	1.016	25.80	2.36	59.94	0.625	15.9	0.904	23.0
17	22	1	2.380	60.45	1.059	26.9	1.468	37.28	1.166	29.61	2.50	63.50	0.500	12.7	0.750	19.1
18	22	1	2.025	51.43	1.375	34.9	1.468	37.28	1.166	29.61	2.68	68.07	0.875	22.2	1.029	26.1
19	24	1	2.380	60.45	1.059	26.9	1.593	40.46	1.166	29.61	2.50	63.50	0.500	12.7	0.750	19.1
20	24	1	2.025	51.43	1.375	34.9	1.593	40.46	1.166	29.61	2.68	68.07	0.875	22.2	1.144	29.1
21	28	1	2.550	64.77	1.156	29.4	1.969	50.01	1.266	32.15	2.88	73.15	0.625	15.9	0.937	23.8
22	28	1	2.195	55.75	1.500	38.1	1.969	50.01	1.266	32.15	3.06	77.72	1.000	25.4	1.375	34.9
23	32	1	2.800	71.11	1.156	29.4	2.219	56.36	1.616	41.04	3.36	85.34	0.625	15.9	0.937	23.8
24	32	1	2.800	71.11	1.375	34.9	2.219	56.36	1.616	41.04	3.36	85.34	0.875	22.2	1.250	31.8
25	32	1	2.445	62.10	1.781	45.2	2.219	56.36	1.616	41.04	3.62	91.94	1.250	31.8	1.625	41.3
26	36	1	2.770	70.35	1.156	29.4	2.469	62.71	1.816	46.12	3.68	93.47	0.625	15.9	0.937	23.8
27	36	1	2.770	70.35	1.500	38.1	2.469	62.71	1.816	46.12	3.68	93.47	1.000	25.4	1.375	34.9
28	36	1	2.415	61.34	1.830	46.5	2.489	63.22	1.816	46.12	3.94	100.07	1.437	36.5	1.840	46.7
29	40	1	2.770	70.35	1.156	29.4	2.719	69.06	2.566	65.17	4.43	112.52	0.625	15.9	0.937	23.8
30	40	1	2.770	70.35	1.500	38.1	2.719	69.06	2.566	65.17	4.43	112.52	1.000	25.4	1.375	34.9
31	40	1	2.415	61.34	1.830	46.5	2.719	69.06	2.566	65.17	4.69	119.12	1.437	36.5	1.875	47.6
32	44	1	2.770	70.35	1.156	29.4	2.969	75.41	2.566	65.17	4.43	112.52	0.625	15.9	0.937	23.8
33	44	1	2.770	70.35	1.500	38.1	2.969	75.41	2.566	65.17	4.43	112.52	1.000	25.4	1.375	34.9
34	44	1	2.415	61.34	1.830	46.5	2.969	75.41	2.566	65.17	4.69	119.12	1.437	36.5	1.875	47.6
35	48	1	2.770	70.35	1.156	29.4	3.219	81.76	2.566	65.17	4.43	112.52	0.625	15.9	0.937	23.8
36	48	1	2.770	70.35	1.500	38.1	3.219	81.76	2.566	65.17	4.43	112.52	1.000	25.4	1.375	34.9
37	48	1	2.415	61.34	1.830	46.5	3.219	81.76	2.566	65.17	4.69	119.12	1.437	36.5	1.875	47.6
40	16	1	2.100	53.33	1.027	26.1	1.112	28.24	0.926	23.52	2.05	52.06	0.350	8.9	0.625	15.9
41	18	1	2.270	57.65	1.027	26.1	1.218	30.93	1.016	25.80	2.19	55.62	0.125	3.2	0.312	7.9
42	18	1	2.270	57.65	1.027	26.1	1.218	30.93	1.016	25.80	2.19	55.62	0.250	6.4	0.437	11.1
43	20	1	2.270	57.65	1.027	26.1	1.345	34.16	1.016	25.80	2.19	55.62	0.250	6.4	0.437	11.1
44	22	1	2.380	60.45	1.027	26.1	1.488	37.79	1.166	29.61	2.50	63.50	0.125	3.2	0.312	7.9
45	22	1	2.380	60.45	1.027	26.1	1.468	37.28	1.166	29.61	2.50	63.50	0.250	6.4	0.437	11.1
46	24	1	2.380	60.45	1.027	26.1	1.593	40.46	1.166	29.61	2.50	63.50	0.350	8.9	0.625	15.9
47	36	1	2.770	57.65	1.059	26.9	2.469	62.71	1.816	46.12	3.68	93.47	0.500	12.7	0.750	19.1
48	40	1	2.770	70.35	1.059	26.9	2.719	69.06	1.816	46.12	4.43	112.52	0.500	12.7	0.750	19.1
49	10	2	1.940	49.27	1.027	26.1	0.734	18.64	1.391	35.33	2.42	61.46	0.250	6.4	0.437	11.1
50	14	2	2.270	57.65	1.059	26.9	0.984	24.99	1.766	44.85	3.00	76.19	0.500	12.7	0.750	19.1
51	16	2	2.380	60.45	1.156	29.4	1.112	28.24	1.916	48.66	3.26	82.80	0.625	15.9	0.937	23.8

Continued from page 23 and continued on page 25

Note: All dimensions are in inches and millimeters (inch/mm). For complete dimensions, see the applicable Military Specification. Cable entry is defined as the envelope area of the cable or wire bundle. It is not intended for inspection criteria.



**AS85049/9 Series (continued)**  
**Environmental backshell - Aluminum 90°**

**Dimensions**

Dash number	Shell size	Style	B $\pm 0.062"/1.57$		C reference		Ø D maxi		E $\pm 0.125"/3.17$		H maxi		Cable entry mini		Cable entry maxi	
			inch	mm	inch	mm	inch	mm	inch	mm	inch	mm	inch	mm	inch	mm
52	18	1	2.270	57.65	1.059	26.9	1.218	30.93	1.016	25.80	2.25	57.15	0.500	12.7	0.750	19.1
54	20	1	2.270	57.65	1.059	26.9	1.345	34.16	1.016	25.80	2.25	57.15	0.500	12.7	0.750	19.1
55	20	2	2.550	64.77	1.375	34.9	1.345	34.16	2.016	51.20	3.53	64.26	0.875	22.2	1.250	31.8
56	22	1	2.380	60.45	1.027	26.1	1.468	37.28	1.166	29.61	2.50	63.50	0.350	8.9	0.625	15.9
57	22	1	2.380	60.45	1.156	29.4	1.468	37.28	1.166	29.61	2.51	63.75	0.625	15.9	0.937	23.8
58	22	2	2.550	64.77	1.375	34.9	1.468	37.28	2.016	51.20	3.53	64.26	0.875	22.2	1.250	31.8
59	24	1	2.380	60.45	1.156	29.4	1.593	40.46	1.166	29.61	2.53	64.26	0.625	15.9	0.937	23.8
60	28	1	2.550	64.77	1.059	26.9	1.969	50.01	1.266	30.88	2.88	73.15	0.500	12.7	0.750	19.1
61	28	1	2.550	64.77	1.375	34.9	1.969	50.01	1.266	30.88	2.94	74.67	0.875	22.2	1.250	31.8
62	32	1	2.800	71.11	1.500	38.1	2.219	56.36	1.616	41.04	3.41	86.61	1.000	25.4	1.375	34.9
63	36	1	2.770	70.35	1.375	34.9	2.469	62.71	1.816	46.12	3.68	93.47	0.875	22.2	1.250	31.8
64	36	1	2.770	70.35	1.781	45.2	2.469	62.71	1.816	46.12	3.82	97.02	1.250	31.8	1.625	41.3
65	40	1	2.770	70.35	1.375	34.9	2.719	69.06	2.566	65.17	4.43	112.52	0.875	22.2	1.250	31.8
66	40	1	2.770	70.35	1.781	45.2	2.719	69.06	2.566	65.17	4.57	116.07	1.250	31.8	1.625	41.3
67	44	1	2.770	70.35	1.375	34.9	2.969	75.41	2.566	65.17	4.43	112.52	0.875	22.2	1.250	31.8
68	44	1	2.770	70.35	1.781	45.2	2.969	75.41	2.566	65.17	4.57	116.07	1.250	31.8	1.625	41.3
69	48	1	2.770	70.35	1.375	34.9	3.219	81.76	2.566	65.17	4.43	112.52	0.875	22.2	1.250	31.8
70	48	1	2.770	70.35	1.781	45.2	3.219	81.76	2.566	65.17	4.57	116.07	1.250	31.8	1.625	41.3
71	12	2	2.100	53.33	1.027	26.1	0.858	21.79	1.686	42.82	2.81	71.37	0.350	8.9	0.625	15.9
72	18	2	2.380	60.45	1.156	29.4	1.218	30.93	1.926	48.92	3.27	83.05	0.625	15.9	0.937	23.8
73	24	2	2.550	64.77	1.375	34.9	1.593	40.46	2.026	51.46	3.54	89.91	0.875	22.2	1.250	31.8
74	14	1	2.010	51.05	1.027	26.1	0.984	24.99	0.741	18.82	1.70	43.18	0.125	3.2	0.312	7.9
75	16	1	2.100	53.33	1.027	26.1	1.112	28.24	0.926	23.52	1.98	50.29	0.125	3.2	0.312	7.9

Continued from page 24

Note: All dimensions are in inches and millimeters (inch/mm). For complete dimensions, see the applicable Military Specification. Cable entry is defined as the envelope area of the cable or wire bundle. It is not intended for inspection criteria.

## AS85049/10 Series EMI/RFI environmental backshell - Aluminum straight

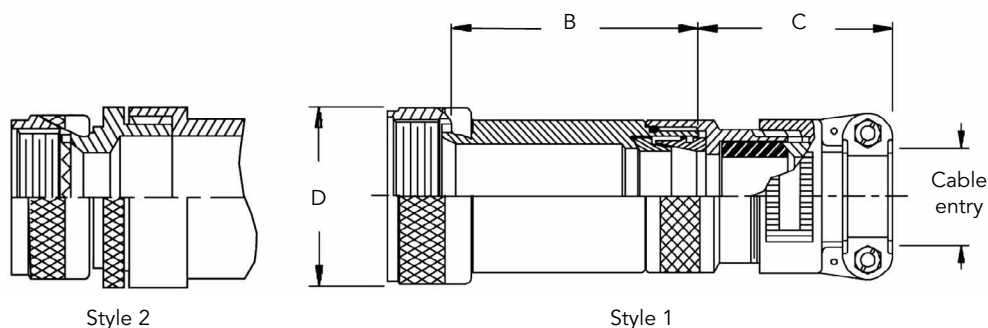
### For connectors:

- AS50151 crimp
- EN2997 & EN3646
- MIL-DTL-26482 Series 2
- MIL-DTL-83723 Series 3

### Ordering information

Basic Series	AS85049/10	24	W
Dash number 5 to 157			
<b>Material and plating</b>			
W: Aluminum, olive drab cadmium over electroless nickel, 1000 hours salt spray			
N: Aluminum, electroless nickel			
S: Stainless steel, passivated			
B: Stainless steel, black cadmium			

### Dimensions



Dash number	Shell size	Style	B $\pm 0.125/3.17$		C reference		$\varnothing$ D maxi		Cable entry mini		Cable entry maxi	
			inch	mm	inch	mm	inch	mm	inch	mm	inch	mm
5	8	1	2.00	50.80	1.544	39.21	0.617	15.67	0.250	6.4	0.375	9.5
6	8	1	3.00	76.19	1.544	39.21	0.617	15.67	0.125	3.2	0.312	7.9
7	8	2	2.75	69.85	1.544	39.21	0.617	15.67	0.250	6.4	0.437	11.1
8	8	2	3.75	95.25	1.544	39.21	0.617	15.67	0.350	8.9	0.500	12.7
9	10	1	2.00	50.80	1.544	39.21	0.734	18.64	0.250	6.4	0.437	11.1
10	10	1	3.00	76.19	1.544	39.21	0.734	18.64	0.350	8.9	0.575	14.6
11	10	2	2.75	69.85	1.544	39.21	0.734	18.64	0.250	6.4	0.437	11.1
12	10	2	3.75	95.25	1.544	39.21	0.734	18.64	0.250	6.4	0.437	11.1
13	12	1	2.00	50.80	1.544	39.21	0.858	21.79	0.250	6.4	0.437	11.1
14	12	1	3.00	76.19	1.544	39.21	0.858	21.79	0.625	15.9	0.779	19.8
15	12	2	2.75	69.85	1.844	46.83	0.858	21.79	0.350	8.9	0.625	15.9
16	12	2	3.75	95.25	1.844	46.83	0.858	21.79	0.625	15.9	0.904	23.0
17	14	1	2.00	50.80	1.844	46.83	0.984	24.99	0.500	12.7	0.750	19.1

Continued on pages 27 to 30

Note: All dimensions are in inches and millimeters (inch/mm). For complete dimensions, see the applicable Military Specification. Cable entry is defined as the envelope area of the cable or wire bundle. It is not intended for inspection criteria.

**AS85049/10 Series (continued)**  
**EMI/RFI environmental backshell - Aluminum straight**

**Dimensions**

Dash number	Shell size	Style	B $\pm 0.125/3.17$		C reference		Ø D maxi		Cable entry mini		Cable entry maxi	
			inch	mm	inch	mm	inch	mm	inch	mm	inch	mm
18	14	1	3.00	76.19	1.844	46.83	0.984	24.99	0.875	22.2	1.029	26.1
19	14	2	2.75	69.85	1.916	48.66	0.984	24.99	0.500	12.7	0.750	19.1
20	14	2	3.75	95.25	1.916	48.66	0.984	24.99	0.875	22.2	1.144	29.1
21	16	1	2.00	50.80	1.916	48.66	1.112	28.24	0.625	15.9	0.937	23.8
22	16	1	3.00	76.19	1.916	48.66	1.112	28.24	1.000	25.4	1.375	34.9
23	16	2	2.75	69.85	2.000	50.80	1.112	28.24	0.625	15.9	0.937	23.8
24	16	2	3.75	95.25	2.000	50.80	1.112	28.24	0.875	22.2	1.250	31.8
25	18	1	2.00	50.80	1.844	46.83	1.218	30.93	1.250	31.8	1.625	41.3
26	18	1	3.00	76.19	1.844	46.83	1.218	30.93	0.625	15.9	0.937	23.8
27	18	1	2.00	50.80	1.916	48.66	1.218	30.93	1.000	25.4	1.375	34.9
28	18	1	3.00	76.19	1.916	48.66	1.218	30.93	1.437	36.5	1.840	46.7
29	18	1	2.75	69.85	2.000	50.80	1.218	30.93	0.625	15.9	0.937	23.8
30	18	1	3.75	95.25	2.000	50.80	1.218	30.93	1.000	25.4	1.375	34.9
31	20	1	3.00	76.19	1.844	46.83	1.345	34.16	1.437	36.5	1.875	47.6
32	20	1	4.00	101.6	1.844	46.83	1.345	34.16	0.625	15.9	0.937	23.8
33	20	1	3.00	76.19	1.916	48.66	1.345	34.16	1.000	25.4	1.375	34.9
34	20	1	4.00	101.6	1.916	48.66	1.345	34.16	1.437	36.5	1.875	47.6
35	20	2	3.75	95.25	2.000	50.80	1.345	34.16	0.625	15.9	0.937	23.8
36	20	2	4.75	120.65	2.000	50.80	1.345	34.16	1.000	25.4	1.375	34.9
37	20	2	3.75	95.25	2.230	56.64	1.345	34.16	1.437	36.5	1.875	47.6
38	20	2	4.75	120.65	2.230	56.64	1.345	34.16	0.500	12.7	0.750	19.1
39	22	1	3.00	76.19	1.844	46.83	1.468	37.28	0.875	22.2	1.184	30.1
40	22	1	4.00	101.6	1.844	46.83	1.468	37.28	0.350	8.9	0.625	15.9
41	22	1	3.00	76.19	1.916	48.66	1.468	37.28	0.125	3.2	0.312	7.9
42	22	1	4.00	101.6	1.916	48.66	1.468	37.28	0.250	6.4	0.437	11.1
43	22	1	3.00	76.19	2.000	50.80	1.468	37.28	0.250	6.4	0.437	11.1
44	22	1	4.00	101.6	2.000	50.80	1.468	37.28	0.125	3.2	0.312	7.9
45	22	2	3.75	95.25	2.230	56.64	1.468	37.28	0.250	6.4	0.437	11.1
46	22	2	4.75	120.65	2.230	56.64	1.468	37.28	0.350	8.9	0.625	15.9
47	24	1	3.00	76.19	1.916	48.66	1.593	40.46	0.500	12.7	0.750	19.1
48	24	1	4.00	101.6	1.916	48.66	1.593	40.46	0.500	12.7	0.750	19.1
49	24	1	3.00	76.19	2.000	50.80	1.593	40.46	0.625	15.9	0.812	20.6
50	24	1	4.00	101.6	2.000	50.80	1.593	40.46	0.625	15.9	0.812	20.6
51	24	1	4.00	101.6	2.000	50.80	1.593	40.46	0.625	15.9	0.937	23.8
52	24	1	4.00	101.6	2.000	50.80	1.593	40.46	0.625	15.9	0.937	23.8
53	24	2	3.75	95.25	2.230	56.64	1.593	40.46	0.875	22.2	1.250	31.8

Continued from page 36 and continued on pages 28

Note: All dimensions are in inches and millimeters (inch/mm). For complete dimensions, see the applicable Military Specification. Cable entry is defined as the envelope area of the cable or wire bundle. It is not intended for inspection criteria.

**AS85049/10 Series (continued)**  
**EMI/RFI environmental backshell - Aluminum straight**

**Dimensions**

Dash number	Shell size	Style	B $\pm 0.125/3.17$		C reference		Ø D maxi		Cable entry mini		Cable entry maxi	
			inch	mm	inch	mm	inch	mm	inch	mm	inch	mm
54	24	2	4.75	120.65	2.230	56.64	1.593	40.46	0.875	22.2	1.250	31.8
55	28	1	3.00	76.19	1.916	48.66	1.969	50.01	0.500	12.7	0.750	19.1
56	28	1	4.00	101.6	1.916	48.66	1.969	50.01	0.500	12.7	0.750	19.1
57	28	1	3.00	76.19	2.000	50.80	1.969	50.01	0.625	15.9	0.937	23.8
58	28	1	4.00	101.6	2.000	50.80	1.969	50.01	0.625	15.9	0.937	23.8
59	28	1	3.00	76.19	2.230	56.64	1.969	50.01	0.875	22.2	1.250	31.8
60	28	1	4.00	101.6	2.230	56.64	1.969	50.01	0.875	22.2	1.250	31.8
61	28	1	3.00	76.19	2.024	51.40	1.969	50.01	1.000	25.4	1.375	34.9
62	28	1	4.00	101.6	2.024	51.40	1.969	50.01	1.000	25.4	1.375	34.9
63	32	1	3.00	76.19	2.000	50.80	2.219	56.36	0.625	15.9	0.937	23.8
64	32	1	4.00	101.6	2.000	50.80	2.219	56.36	0.625	15.9	0.937	23.8
65	32	1	3.00	76.19	2.230	56.64	2.219	56.36	0.875	22.2	1.250	31.8
66	32	1	4.00	101.6	2.230	56.64	2.219	56.36	0.875	22.2	1.250	31.8
67	32	1	3.00	76.19	2.024	51.40	2.219	56.36	1.000	25.4	1.375	34.9
68	32	1	4.00	101.6	2.024	51.40	2.219	56.36	1.000	25.4	1.375	34.9
69	32	1	3.00	76.19	2.550	64.77	2.219	56.36	1.250	31.8	1.625	41.3
70	32	1	4.00	101.6	2.550	64.77	2.219	56.36	1.250	31.8	1.625	41.3
71	36	1	4.00	101.6	2.230	56.64	2.469	62.71	0.875	22.2	1.250	31.8
72	36	1	5.00	127.00	2.230	56.64	2.469	62.71	0.875	22.2	1.250	31.8
73	36	1	4.00	101.6	2.024	51.40	2.469	62.71	1.000	25.4	1.375	34.9
74	36	1	5.00	127.00	2.024	51.40	2.469	62.71	1.000	25.4	1.375	34.9
75	36	1	4.00	101.6	2.550	64.77	2.469	62.71	1.250	31.8	1.625	41.3
76	36	1	5.00	127.00	2.550	64.77	2.469	62.71	1.250	31.8	1.625	41.3
77	36	2	4.88	123.95	2.600	66.03	2.469	62.71	1.437	36.5	1.875	47.6
78	36	2	5.88	149.35	2.600	66.03	2.469	62.71	1.437	36.5	1.875	47.6
79	40	1	4.00	101.6	2.230	56.64	2.719	69.06	0.875	22.2	1.250	31.8
80	40	1	5.00	127.00	2.230	56.64	2.719	69.06	0.875	22.2	1.250	31.8
81	40	1	4.00	101.6	2.024	51.40	2.719	69.06	1.000	25.4	1.375	34.9
82	40	1	5.00	127.00	2.024	51.40	2.719	69.06	1.000	25.4	1.375	34.9
83	40	1	4.00	101.6	2.550	64.77	2.719	69.06	1.250	31.8	1.625	41.3
84	40	1	5.00	127.00	2.550	64.77	2.719	69.06	1.250	31.8	1.625	41.3
85	40	1	4.00	101.6	2.600	66.03	2.719	69.06	1.437	36.5	1.875	47.6
86	40	1	5.00	127.00	2.600	66.03	2.719	69.06	1.437	36.5	1.875	47.6
87	44	1	4.00	101.6	2.230	56.64	2.969	75.41	0.875	22.2	1.250	31.8
88	44	1	5.00	127.00	2.230	56.64	2.969	75.41	0.875	22.2	1.250	31.8
89	44	1	4.00	101.6	2.024	51.40	2.969	75.41	1.000	25.4	1.375	34.9

Continued from page 27 and continued on page 29

Note: All dimensions are in inches and millimeters (inch/mm). For complete dimensions, see the applicable Military Specification. Cable entry is defined as the envelope area of the cable or wire bundle. It is not intended for inspection criteria.

**AS85049/10 Series (continued)**  
**EMI/RFI environmental backshell - Aluminum straight**

**Dimensions**

Dash number	Shell size	Style	B $\pm 0.125/3.17$		C reference		Ø D maxi		Cable entry mini		Cable entry maxi	
			inch	mm	inch	mm	inch	mm	inch	mm	inch	mm
90	44	1	5.00	127.00	2.024	51.40	2.969	75.41	1.000	25.4	1.375	34.9
91	44	1	4.00	101.6	2.550	64.77	2.969	75.41	1.250	31.8	1.625	41.3
92	44	1	5.00	127.00	2.550	64.77	2.969	75.41	1.250	31.8	1.625	41.3
93	44	1	4.00	101.6	2.600	66.03	2.969	75.41	1.437	36.5	1.875	47.6
94	44	1	5.00	127.00	2.600	66.03	2.969	75.41	1.437	36.5	1.875	47.6
95	48	1	4.00	101.6	2.230	56.64	3.219	81.76	0.875	22.2	1.250	31.8
96	48	1	5.00	127.00	2.230	56.64	3.219	81.76	0.875	22.2	1.250	31.8
97	48	1	4.00	101.6	2.024	51.40	3.219	81.76	1.000	25.4	1.375	34.9
98	48	1	5.00	127.00	2.024	51.40	3.219	81.76	1.000	25.4	1.375	34.9
99	48	1	4.00	101.6	2.550	64.77	3.219	81.76	1.250	31.8	1.625	41.3
100	48	1	5.00	127.00	2.550	64.77	3.219	81.76	1.250	31.8	1.625	41.3
101	48	1	4.00	101.6	2.600	66.03	3.219	81.76	1.437	36.5	1.875	47.6
102	48	1	5.00	127.00	2.600	66.03	3.219	81.76	1.437	36.5	1.875	47.6
111	12	1	2.00	50.80	1.844	46.83	0.858	21.79	0.350	8.9	0.500	12.7
112	16	1	2.00	50.80	1.544	39.21	1.112	28.24	0.250	6.4	0.437	11.1
113	16	1	3.00	76.19	1.544	39.21	1.112	28.24	0.250	6.4	0.437	11.1
114	12	1	2.00	50.80	1.544	39.21	0.858	21.79	0.125	3.2	0.312	7.9
115	12	1	3.00	76.19	1.544	39.21	0.858	21.79	0.125	3.2	0.312	7.9
116	14	1	2.00	50.80	1.544	39.21	0.984	24.99	0.250	6.4	0.437	11.1
117	14	1	3.00	76.19	1.544	39.21	0.984	24.99	0.250	6.4	0.437	11.1
118	16	1	2.00	50.80	1.844	46.83	1.112	28.24	0.350	8.9	0.625	15.9
119	16	1	3.00	76.19	1.844	46.83	1.112	28.24	0.350	8.9	0.625	15.9
120	18	1	2.00	50.80	1.544	39.21	1.218	30.93	0.125	3.2	0.312	7.9
121	18	1	3.00	76.19	1.544	39.21	1.218	30.93	0.125	2.3	0.312	7.9
122	18	1	2.00	50.80	1.544	39.21	1.218	30.93	0.250	6.4	0.437	11.1
123	18	1	3.00	76.19	1.544	39.21	1.218	30.93	0.250	6.4	0.437	11.1
124	20	1	3.00	76.19	1.544	39.21	1.345	34.16	0.250	6.4	0.437	11.1
125	20	1	4.00	101.6	1.544	39.21	1.345	34.16	0.250	6.4	0.437	11.1
126	22	1	3.00	76.19	1.544	39.21	1.468	37.28	0.125	3.2	0.312	7.9
127	22	1	4.00	101.6	1.544	39.21	1.468	37.28	0.125	3.2	0.312	7.9
128	22	1	3.00	76.19	1.544	39.21	1.468	37.28	0.250	6.4	0.437	11.1
129	22	1	4.00	101.6	1.544	39.21	1.468	37.28	0.250	6.4	0.437	11.1
130	24	1	3.00	76.19	1.844	46.83	1.593	40.46	0.350	8.9	0.625	15.9
131	24	1	4.00	101.6	1.844	46.83	1.593	40.46	0.350	8.9	0.625	15.9
132	36	1	4.00	101.6	1.916	48.66	2.469	62.71	0.500	12.7	0.750	19.1
133	36	1	5.00	127.00	1.916	48.66	2.469	62.71	0.500	12.7	0.750	19.1

Continued from page 28 and continued on page 30

Note: All dimensions are in inches and millimeters (inch/mm). For complete dimensions, see the applicable Military Specification. Cable entry is defined as the envelope area of the cable or wire bundle. It is not intended for inspection criteria.

**AS85049/10 Series (continued)**  
**EMI/RFI environmental backshell - Aluminum straight**

Dimensions												
Dash number	Shell size	Style	B $\pm 0.125/3.17$		C reference		Ø D maxi		Cable entry mini		Cable entry maxi	
			inch	mm	inch	mm	inch	mm	inch	mm	inch	mm
134	40	1	4.00	101.6	1.916	48.66	2.719	69.06	0.500	12.7	0.750	19.1
135	40	1	5.00	127.00	1.916	48.66	2.719	69.06	0.500	12.7	0.750	19.1
136	10	1	2.00	50.80	1.544	39.21	0.734	18.64	0.250	6.4	0.375	9.5
137	10	1	3.00	76.19	1.544	39.21	0.734	18.64	0.250	6.4	0.375	9.5
138	12	1	2.00	50.80	1.844	46.83	0.858	21.79	0.350	8.9	0.500	12.7
139	12	1	3.00	76.19	1.844	46.83	0.858	21.79	0.350	8.9	0.500	12.7
140	20	1	3.00	76.19	2.000	50.80	1.345	34.16	0.625	15.9	0.904	23.0
141	20	1	4.00	101.6	2.000	50.80	1.345	34.16	0.625	15.9	0.904	23.0
142	22	1	3.00	76.19	2.230	56.64	1.468	37.28	0.875	22.2	1.029	26.1
143	22	1	4.00	101.6	2.230	56.64	1.468	37.28	0.875	22.2	1.029	26.1
144	24	1	3.00	76.19	2.230	56.64	1.593	40.46	0.875	22.2	1.144	29.1
145	24	1	4.00	101.6	2.230	56.64	1.593	40.46	0.875	22.2	1.144	29.1
146	36	1	4.00	101.6	2.600	66.03	2.469	62.71	1.437	36.5	1.840	46.7
147	36	1	5.00	127.00	2.600	66.03	2.469	62.71	1.437	36.5	1.840	46.7
148	36	1	4.00	101.6	2.000	50.80	2.469	62.71	0.625	15.9	0.937	23.8
149	36	1	5.00	127.00	2.000	50.80	2.469	62.71	0.625	15.9	0.937	23.8
150	14	1	2.00	50.80	1.544	39.21	0.984	24.99	0.125	3.2	0.312	7.9
151	14	1	3.00	76.19	1.544	39.21	0.984	24.99	0.125	3.2	0.312	7.9
152	16	1	2.00	50.80	1.544	39.21	1.112	28.24	0.125	3.2	0.312	7.9
153	16	1	3.00	76.19	1.544	39.21	1.112	28.24	0.125	3.2	0.312	7.9
154	44	1	4.00	101.6	2.000	50.80	2.969	75.41	0.625	15.9	0.937	23.8
155	44	1	5.00	127.00	2.000	50.80	2.969	75.41	0.625	15.9	0.937	23.8
156	40	1	4.00	101.6	2.000	50.80	2.719	69.06	0.625	15.9	0.937	23.8
157	40	1	5.00	127.00	2.000	50.80	2.719	69.06	0.625	15.9	0.937	23.8

Continued from page 29

Note: All dimensions are in inches and millimeters (inch/mm). For complete dimensions, see the applicable Military Specification. Cable entry is defined as the envelope area of the cable or wire bundle. It is not intended for inspection criteria.

## AS85049/11 Series Environmental backshell - Aluminum straight

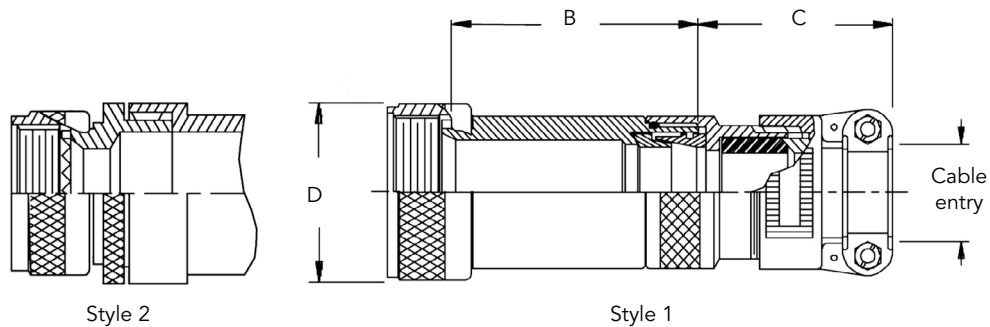
**For connectors:**

- AS50151 crimp
- AS81703 Series 3
- MIL-DTL-26482 Series 2
- MIL-DTL-83723 Series 3
- EN2997 & EN3646

### Ordering information

<b>Basic Series</b>	AS85049/11	24	W
<b>Dash number</b> 5 to 157			
<b>Material and plating</b>			
W: Aluminum, olive drab cadmium over electroless nickel, 1000 hours salt spray			
N: Aluminum, electroless nickel			
S: Stainless steel, passivated			
B: Stainless steel, black cadmium			

### Dimensions



Dash number	Shell size	Style	B $\pm 0.125/3.17$		C reference		Ø D maxi		Cable entry mini		Cable entry maxi	
			inch	mm	inch	mm	inch	mm	inch	mm	inch	mm
5	8	1	2.00	50.80	1.027	26.08	0.617	15.67	0.250	6.4	0.375	9.5
6	8	1	3.00	76.19	1.027	26.08	0.617	15.67	0.125	3.2	0.312	7.9
7	8	2	2.75	69.85	1.027	26.08	0.617	15.67	0.250	6.4	0.437	11.1
8	8	2	3.75	95.25	1.027	26.08	0.617	15.67	0.350	8.9	0.500	12.7
9	10	1	2.00	50.80	1.027	26.08	0.734	18.64	0.250	6.4	0.437	11.1
10	10	1	3.00	76.19	1.027	26.08	0.734	18.64	0.350	8.9	0.575	14.6
11	10	2	2.75	69.85	1.027	26.08	0.734	18.64	0.250	6.4	0.437	11.1
12	10	2	3.75	95.25	1.027	26.08	0.734	18.64	0.250	6.4	0.437	11.1
13	12	1	2.00	50.80	1.027	26.08	0.858	21.79	0.250	6.4	0.437	11.1
14	12	1	3.00	76.19	1.027	26.08	0.858	21.79	0.625	15.9	0.779	19.8
15	12	2	2.75	69.85	1.027	26.08	0.858	21.79	0.350	8.9	0.625	15.9
16	12	2	3.75	95.25	1.027	26.08	0.858	21.79	0.625	15.9	0.904	23.0
17	14	1	2.00	50.80	1.027	26.08	0.984	24.99	0.500	12.7	0.750	19.1

Continued on pages 32 to 35

Note: All dimensions are in inches and millimeters (inch/mm). For complete dimensions, see the applicable Military Specification. Cable entry is defined as the envelope area of the cable or wire bundle. It is not intended for inspection criteria.

## AS85049/11 Series Environmental backshell - Aluminum straight

### Dimensions

Dash number	Shell size	Style	B $\pm 0.125/3.17$		C reference		Ø D maxi		Cable entry mini		Cable entry maxi	
			inch	mm	inch	mm	inch	mm	inch	mm	inch	mm
18	14	1	3.00	76.19	1.027	26.08	0.984	24.99	0.875	22.2	1.029	26.1
19	14	2	2.75	69.85	1.059	26.89	0.984	24.99	0.500	12.7	0.750	19.1
20	14	2	3.75	95.25	1.059	26.89	0.984	24.99	0.875	22.2	1.144	29.1
21	16	1	2.00	50.80	1.059	26.89	1.112	28.24	0.625	15.9	0.937	23.8
22	16	1	3.00	76.19	1.059	26.89	1.112	28.24	1.000	25.4	1.375	34.9
23	16	2	2.75	69.85	1.156	29.36	1.112	28.24	0.625	15.9	0.937	23.8
24	16	2	3.75	95.25	1.156	29.36	1.112	28.24	0.875	22.2	1.250	31.8
25	18	1	2.00	50.80	1.027	26.08	1.218	30.93	1.250	31.8	1.625	41.3
26	18	1	3.00	76.19	1.027	26.08	1.218	30.93	0.625	15.9	0.937	23.8
27	18	1	2.00	50.80	1.059	26.89	1.218	30.93	1.000	25.4	1.375	34.9
28	18	1	3.00	76.19	1.059	26.89	1.218	30.93	1.437	36.5	1.840	46.7
29	18	1	2.75	69.85	1.156	29.36	1.218	30.93	0.625	15.9	0.937	23.8
30	18	1	3.75	95.25	1.156	29.36	1.218	30.93	1.000	25.4	1.375	34.9
31	20	1	3.00	76.19	1.027	26.08	1.345	34.16	1.437	36.5	1.875	47.6
32	20	1	4.00	101.6	1.027	26.08	1.345	34.16	0.625	15.9	0.937	23.8
33	20	1	3.00	76.19	1.059	26.89	1.345	34.16	1.000	25.4	1.375	34.9
34	20	1	4.00	101.6	1.059	26.89	1.345	34.16	1.437	36.5	1.875	47.6
35	20	2	3.75	95.25	1.156	29.36	1.345	34.16	0.625	15.9	0.937	23.8
36	20	2	4.75	120.65	1.156	29.36	1.345	34.16	1.000	25.4	1.375	34.9
37	20	2	3.75	95.25	1.375	34.92	1.345	34.16	1.437	36.5	1.875	47.6
38	20	2	4.75	120.65	1.375	34.92	1.345	34.16	0.500	12.7	0.750	19.1
39	22	1	3.00	76.19	1.027	26.08	1.468	37.28	0.875	22.2	1.184	30.1
40	22	1	4.00	101.6	1.027	26.08	1.468	37.28	0.350	8.9	0.625	15.9
41	22	1	3.00	76.19	1.059	26.89	1.468	37.28	0.125	3.2	0.312	7.9
42	22	1	4.00	101.6	1.059	26.89	1.468	37.28	0.250	6.4	0.437	11.1
43	22	1	3.00	76.19	1.156	29.36	1.468	37.28	0.250	6.4	0.437	11.1
44	22	1	4.00	101.6	1.156	29.36	1.468	37.28	0.125	3.2	0.312	7.9
45	22	2	3.75	95.25	1.375	34.92	1.468	37.28	0.250	6.4	0.437	11.1
46	22	2	4.75	120.65	1.375	34.92	1.468	37.28	0.350	8.9	0.625	15.9
47	24	1	3.00	76.19	1.059	26.89	1.593	40.46	0.500	12.7	0.750	19.1
48	24	1	4.00	101.6	1.059	26.89	1.593	40.46	0.500	12.7	0.750	19.1
49	24	1	3.00	76.19	1.156	29.36	1.593	40.46	0.625	15.9	0.812	20.6
50	24	1	4.00	101.6	1.156	29.36	1.593	40.46	0.625	15.9	0.812	20.6
51	24	1	4.00	101.6	1.156	29.36	1.593	40.46	0.625	15.9	0.937	23.8
52	24	1	4.00	101.6	1.156	29.36	1.593	40.46	0.625	15.9	0.937	23.8
53	24	2	3.75	95.25	1.375	34.92	1.593	40.46	0.875	22.2	1.250	31.8

Continued from page 31 and continued on pages 33

Note: All dimensions are in inches and millimeters (inch/mm). For complete dimensions, see the applicable Military Specification. Cable entry is defined as the envelope area of the cable or wire bundle. It is not intended for inspection criteria.



## AS85049/11 Series Environmental backshell - Aluminum straight

### Dimensions

Dash number	Shell size	Style	B $\pm 0.125/3.17$		C reference		Ø D maxi		Cable entry mini		Cable entry maxi	
			inch	mm	inch	mm	inch	mm	inch	mm	inch	mm
54	24	2	4.75	120.65	1.375	34.92	1.593	40.46	0.875	22.2	1.250	31.8
55	28	1	3.00	76.19	1.059	26.89	1.969	50.01	0.500	12.7	0.750	19.1
56	28	1	4.00	101.6	1.059	26.89	1.969	50.01	0.500	12.7	0.750	19.1
57	28	1	3.00	76.19	1.156	29.36	1.969	50.01	0.625	15.9	0.937	23.8
58	28	1	4.00	101.6	1.156	29.36	1.969	50.01	0.625	15.9	0.937	23.8
59	28	1	3.00	76.19	1.375	34.92	1.969	50.01	0.875	22.2	1.250	31.8
60	28	1	4.00	101.6	1.375	34.92	1.969	50.01	0.875	22.2	1.250	31.8
61	28	1	3.00	76.19	1.500	38.09	1.969	50.01	1.000	25.4	1.375	34.9
62	28	1	4.00	101.6	1.500	38.09	1.969	50.01	1.000	25.4	1.375	34.9
63	32	1	3.00	76.19	1.156	29.36	2.219	56.36	0.625	15.9	0.937	23.8
64	32	1	4.00	101.6	1.156	29.36	2.219	56.36	0.625	15.9	0.937	23.8
65	32	1	3.00	76.19	1.375	34.92	2.219	56.36	0.875	22.2	1.250	31.8
66	32	1	4.00	101.6	1.375	34.92	2.219	56.36	0.875	22.2	1.250	31.8
67	32	1	3.00	76.19	1.500	38.09	2.219	56.36	1.000	25.4	1.375	34.9
68	32	1	4.00	101.6	1.500	38.09	2.219	56.36	1.000	25.4	1.375	34.9
69	32	1	3.00	76.19	1.781	45.23	2.219	56.36	1.250	31.8	1.625	41.3
70	32	1	4.00	101.6	1.781	45.23	2.219	56.36	1.250	31.8	1.625	41.3
71	36	1	4.00	101.6	1.375	34.92	2.469	62.71	0.875	22.2	1.250	31.8
72	36	1	5.00	127.00	1.375	34.92	2.469	62.71	0.875	22.2	1.250	31.8
73	36	1	4.00	101.6	1.500	38.09	2.469	62.71	1.000	25.4	1.375	34.9
74	36	1	5.00	127.00	1.500	38.09	2.469	62.71	1.000	25.4	1.375	34.9
75	36	1	4.00	101.6	1.781	45.23	2.469	62.71	1.250	31.8	1.625	41.3
76	36	1	5.00	127.00	1.781	45.23	2.469	62.71	1.250	31.8	1.625	41.3
77	36	2	4.88	123.95	1.830	45.48	2.469	62.71	1.437	36.5	1.875	47.6
78	36	2	5.88	149.35	1.830	45.48	2.469	62.71	1.437	36.5	1.875	47.6
79	40	1	4.00	101.6	1.375	34.92	2.719	69.06	0.875	22.2	1.250	31.8
80	40	1	5.00	127.00	1.375	34.92	2.719	69.06	0.875	22.2	1.250	31.8
81	40	1	4.00	101.6	1.500	38.09	2.719	69.06	1.000	25.4	1.375	34.9
82	40	1	5.00	127.00	1.500	38.09	2.719	69.06	1.000	25.4	1.375	34.9
83	40	1	4.00	101.6	1.781	45.23	2.719	69.06	1.250	31.8	1.625	41.3
84	40	1	5.00	127.00	1.781	45.23	2.719	69.06	1.250	31.8	1.625	41.3
85	40	1	4.00	101.6	1.830	45.48	2.719	69.06	1.437	36.5	1.875	47.6
86	40	1	5.00	127.00	1.830	45.48	2.719	69.06	1.437	36.5	1.875	47.6
87	44	1	4.00	101.6	1.375	34.92	2.969	75.41	0.875	22.2	1.250	31.8
88	44	1	5.00	127.00	1.375	34.92	2.969	75.41	0.875	22.2	1.250	31.8
89	44	1	4.00	101.6	1.500	38.09	2.969	75.41	1.000	25.4	1.375	34.9

Continued from page 32 and continued on page 34

Note: All dimensions are in inches and millimeters (inch/mm). For complete dimensions, see the applicable Military Specification. Cable entry is defined as the envelope area of the cable or wire bundle. It is not intended for inspection criteria.

## AS85049/11 Series Environmental backshell - Aluminum straight

### Dimensions

Dash number	Shell size	Style	B $\pm 0.125/3.17$		C reference		Ø D maxi		Cable entry mini		Cable entry maxi	
			inch	mm	inch	mm	inch	mm	inch	mm	inch	mm
90	44	1	5.00	127.00	1.500	38.09	2.969	75.41	1.000	25.4	1.375	34.9
91	44	1	4.00	101.6	1.781	45.23	2.969	75.41	1.250	31.8	1.625	41.3
92	44	1	5.00	127.00	1.781	45.23	2.969	75.41	1.250	31.8	1.625	41.3
93	44	1	4.00	101.6	1.830	45.48	2.969	75.41	1.437	36.5	1.875	47.6
94	44	1	5.00	127.00	1.830	45.48	2.969	75.41	1.437	36.5	1.875	47.6
95	48	1	4.00	101.6	1.375	34.92	3.219	81.76	0.875	22.2	1.250	31.8
96	48	1	5.00	127.00	1.375	34.92	3.219	81.76	0.875	22.2	1.250	31.8
97	48	1	4.00	101.6	1.500	38.09	3.219	81.76	1.000	25.4	1.375	34.9
98	48	1	5.00	127.00	1.500	38.09	3.219	81.76	1.000	25.4	1.375	34.9
99	48	1	4.00	101.6	1.781	45.23	3.219	81.76	1.250	31.8	1.625	41.3
100	48	1	5.00	127.00	1.781	45.23	3.219	81.76	1.250	31.8	1.625	41.3
101	48	1	4.00	101.6	1.830	45.48	3.219	81.76	1.437	36.5	1.875	47.6
102	48	1	5.00	127.00	1.830	45.48	3.219	81.76	1.437	36.5	1.875	47.6
111	12	1	2.00	50.80	1.027	26.08	0.858	21.79	0.350	8.9	0.500	12.7
112	16	1	2.00	50.80	1.027	26.08	1.112	28.24	0.250	6.4	0.437	11.1
113	16	1	3.00	76.19	1.027	26.08	1.112	28.24	0.250	6.4	0.437	11.1
114	12	1	2.00	50.80	1.027	26.08	0.858	21.79	0.125	3.2	0.312	7.9
115	12	1	3.00	76.19	1.027	26.08	0.858	21.79	0.125	3.2	0.312	7.9
116	14	1	2.00	50.80	1.027	26.08	0.984	24.99	0.250	6.4	0.437	11.1
117	14	1	3.00	76.19	1.027	26.08	0.984	24.99	0.250	6.4	0.437	11.1
118	16	1	2.00	50.80	1.027	26.08	1.112	28.24	0.350	8.9	0.625	15.9
119	16	1	3.00	76.19	1.027	26.08	1.112	28.24	0.350	8.9	0.625	15.9
120	18	1	2.00	50.80	1.027	26.08	1.218	30.93	0.125	3.2	0.312	7.9
121	18	1	3.00	76.19	1.027	26.08	1.218	30.93	0.125	2.3	0.312	7.9
122	18	1	2.00	50.80	1.027	26.08	1.218	30.93	0.250	6.4	0.437	11.1
123	18	1	3.00	76.19	1.027	26.08	1.218	30.93	0.250	6.4	0.437	11.1
124	20	1	3.00	76.19	1.027	26.08	1.345	34.16	0.250	6.4	0.437	11.1
125	20	1	4.00	101.6	1.027	26.08	1.345	34.16	0.250	6.4	0.437	11.1
126	22	1	3.00	76.19	1.027	26.08	1.468	37.28	0.125	3.2	0.312	7.9
127	22	1	4.00	101.6	1.027	26.08	1.468	37.28	0.125	3.2	0.312	7.9
128	22	1	3.00	76.19	1.027	26.08	1.468	37.28	0.250	6.4	0.437	11.1
129	22	1	4.00	101.6	1.027	26.08	1.468	37.28	0.250	6.4	0.437	11.1
130	24	1	3.00	76.19	1.027	26.08	1.593	40.46	0.350	8.9	0.625	15.9
131	24	1	4.00	101.6	1.027	26.08	1.593	40.46	0.350	8.9	0.625	15.9
132	36	1	4.00	101.6	1.059	26.89	2.469	62.71	0.500	12.7	0.750	19.1
133	36	1	5.00	127.00	1.059	26.89	2.469	62.71	0.500	12.7	0.750	19.1

Continued from page 33 and continued on page 35

Note: All dimensions are in inches and millimeters (inch/mm). For complete dimensions, see the applicable Military Specification. Cable entry is defined as the envelope area of the cable or wire bundle. It is not intended for inspection criteria.

## AS85049/11 Series Environmental backshell - Aluminum straight

### Dimensions

Dash number	Shell size	Style	B $\pm 0.125/3.17$		C reference		Ø D maxi		Cable entry mini		Cable entry maxi	
			inch	mm	inch	mm	inch	mm	inch	mm	inch	mm
134	40	1	4.00	101.6	1.059	26.89	2.719	69.06	0.500	12.7	0.750	19.1
135	40	1	5.00	127.00	1.059	26.89	2.719	69.06	0.500	12.7	0.750	19.1
136	10	1	2.00	50.80	1.027	26.08	0.734	18.64	0.250	6.4	0.375	9.5
137	10	1	3.00	76.19	1.027	26.08	0.734	18.64	0.250	6.4	0.375	9.5
138	12	1	2.00	50.80	1.027	26.08	0.858	21.79	0.350	8.9	0.500	12.7
139	12	1	3.00	76.19	1.027	26.08	0.858	21.79	0.350	8.9	0.500	12.7
140	20	1	3.00	76.19	1.156	29.36	1.345	34.16	0.625	15.9	0.904	23.0
141	20	1	4.00	101.6	1.156	29.36	1.345	34.16	0.625	15.9	0.904	23.0
142	22	1	3.00	76.19	1.375	34.92	1.468	37.28	0.875	22.2	1.029	26.1
143	22	1	4.00	101.6	1.375	34.92	1.468	37.28	0.875	22.2	1.029	26.1
144	24	1	3.00	76.19	1.375	34.92	1.593	40.46	0.875	22.2	1.144	29.1
145	24	1	4.00	101.6	1.375	34.92	1.593	40.46	0.875	22.2	1.144	29.1
146	36	1	4.00	101.6	1.830	45.48	2.469	62.71	1.437	36.5	1.840	46.7
147	36	1	5.00	127.00	1.830	45.48	2.469	62.71	1.437	36.5	1.840	46.7
148	36	1	4.00	101.6	1.156	29.36	2.469	62.71	0.625	15.9	0.937	23.8
149	36	1	5.00	127.00	1.156	29.36	2.469	62.71	0.625	15.9	0.937	23.8
150	14	1	2.00	50.80	1.027	26.08	0.984	24.99	0.125	3.2	0.312	7.9
151	14	1	3.00	76.19	1.027	26.08	0.984	24.99	0.125	3.2	0.312	7.9
152	16	1	2.00	50.80	1.027	26.08	1.112	28.24	0.125	3.2	0.312	7.9
153	16	1	3.00	76.19	1.027	26.08	1.112	28.24	0.125	3.2	0.312	7.9
154	44	1	4.00	101.6	1.156	29.36	2.969	75.41	0.625	15.9	0.937	23.8
155	44	1	5.00	127.00	1.156	29.36	2.969	75.41	0.625	15.9	0.937	23.8
156	40	1	4.00	101.6	1.156	29.36	2.719	69.06	0.625	15.9	0.937	23.8
157	40	1	5.00	127.00	1.156	29.36	2.719	69.06	0.625	15.9	0.937	23.8

Continued from page 34

Note: All dimensions are in inches and millimeters (inch/mm). For complete dimensions, see the applicable Military Specification. Cable entry is defined as the envelope area of the cable or wire bundle. It is not intended for inspection criteria.

## AS85049/14 Series Grommet nut - Aluminum, straight

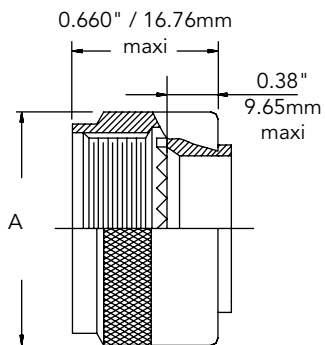
### For connectors:

- MIL-DTL-38999 Series III & IV

### Ordering information

<b>Basic Series</b>	AS85049/14	S	25	W
<b>Self-locking option</b>				
S: Self-locking, detented - utilizes an audible detented anti-decoupling device.				
N: Non self-locking				
<b>Shell size</b>				
9, 11, 13, 15, 17, 19, 21, 23, 25				
<b>Material and plating</b>				
N: Aluminum, electroless nickel				
W: Aluminum, olive drab cadmium over electroless nickel, 1000 hours salt spray				

### Dimensions



Shell size	Ø A maxi	
	inch	mm
9	0.858	21.8
11	0.984	25.0
13	1.157	29.29
15	1.279	32.49
17	1.406	35.71
19	1.516	38.50
21	1.642	41.71
23	1.768	44.91
25	1.889	47.98

Note: All dimensions are in inches and millimeters (inch/mm). For complete dimensions, see the applicable Military Specification. Cable entry is defined as the envelope area of the cable or wire bundle. It is not intended for inspection criteria.

# AS85049/15,16 Series

## Cable tie strain relief - Aluminum 45° and 90°

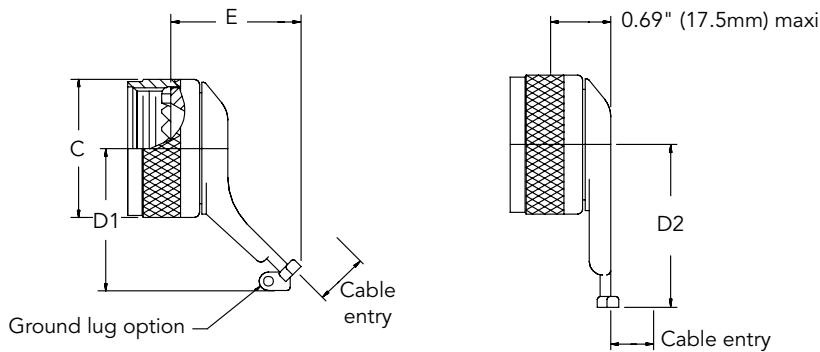
**For connectors:**

- MIL-DTL-38999 Series III & IV
- EN3645

**Ordering information**

<b>Basic Series</b>	<b>AS85049/</b>	<b>15</b>	<b>N</b>	<b>11</b>	<b>N</b>
<b>Angle</b>					
15: 45°					
16: 90°					
<b>Self-locking option</b>					
G: With ground lug.					
H: Self-locking, non detented, with ground gug - utilizes an internal captivated anti-decoupling device (self-seating) with no audible clicking mechanism.					
N: Self-locking, non detented - utilizes an internal captivated anti-decoupling device (self-seating) with no audible clicking mechanism.					
S: Self-locking detented.					
<b>Shell size</b>					
9, 11, 13, 15, 17, 19, 21, 23, 25					
<b>Material and plating</b>					
N: Aluminum, electroless nickel					
W: Aluminum, olive drab cadmium over electroless nickel, 1000 hours salt spray					

### Dimensions



Shell size	Ø C maxi		D1 maxi		D2 maxi		Cable entry maxi		E maxi	
	inch	mm	inch	mm	inch	mm	inch	mm	inch	mm
9	0.858	21.8	0.88	22.4	1.220	31.0	0.264	6.7	1.030	26.2
11	0.984	25.0	0.88	22.4	1.290	32.8	0.392	10.0	1.030	26.2
13	1.160	29.5	0.94	23.9	1.620	41.1	0.506	12.9	1.030	26.2
15	1.280	32.5	1.25	31.8	1.660	42.2	0.631	16.0	1.090	27.7
17	1.410	35.8	1.31	33.3	1.720	43.7	0.756	19.2	1.110	28.2
19	1.520	38.6	1.38	35.1	1.720	43.7	0.845	21.5	1.210	30.7
21	1.640	41.7	1.50	38.1	1.790	45.5	0.970	24.6	1.260	32.0
23	1.770	45.0	1.69	42.9	1.850	47.0	1.095	27.5	1.300	33.0
25	1.890	48.0	1.75	44.5	1.910	48.5	1.220	31.0	1.340	34.0

Note: All dimensions are in inches and millimeters (inch/mm). For complete dimensions, see the applicable Military Specification. Cable entry is defined as the envelope area of the cable or wire bundle. It is not intended for inspection criteria.

# AS85049/17 Series

## EMI/RFI environmental backshell - Aluminum straight

For connectors:

- MIL-DTL-38999 Series I & II

### Ordering information

Basic Series		AS85049/17										24	W	10																				
Dash number		<table border="1"> <tr> <td>Shell size 38999 I</td> <td>09</td><td>11</td><td>13</td><td>15</td><td>17</td><td>19</td><td>21</td><td>23</td><td>25</td> </tr> <tr> <td>= Shell size 38999 II</td> <td>08</td><td>10</td><td>12</td><td>14</td><td>16</td><td>18</td><td>20</td><td>22</td><td>24</td> </tr> </table>										Shell size 38999 I	09	11	13	15	17	19	21	23	25	= Shell size 38999 II	08	10	12	14	16	18	20	22	24			
Shell size 38999 I	09	11	13	15	17	19	21	23	25																									
= Shell size 38999 II	08	10	12	14	16	18	20	22	24																									
Material and plating	<p>N: Aluminum, electroless nickel                  W: Aluminum, olive drab cadmium over electroless nickel, 1000 hours salt spray</p>																																	
Clamp size	01, 02, 03, 04, 05, 06, 07, 08, 09, 10: See table below																																	
Length code	empty: Standard length - see table below A, B, C: See table below																																	

### Dimensions



#### Length code

Code	Length $\pm 0.32"/0.80$	
	inch	mm
Standard	1.5	38.1
A	2.5	63.5
B	3.5	88.9
C	4.5	114.3

#### Clamp size

Dash number	Clamp size	
	mini	maxi
08	01	02
10	01	03
12	02	04
14	02	05
16	02	06
18	03	07
20	03	08
22	03	09
24	04	10

Clamp size	Y maxi		X maxi		Cable entry mini		Cable entry maxi	
	inch	mm	inch	mm	inch	mm	inch	mm
01	0.781	19.84	1.250	31.75	0.062	1.57	0.125	3.18
02	0.969	24.61			0.125	3.18	0.250	6.35
03	1.062	26.97			0.250	6.35	0.375	9.53
04	1.156	29.36			0.375	9.53	0.500	12.70
05	1.250	31.75	1.312	33.32	0.500	12.70	0.625	15.88
06	1.375	34.93	1.375	34.93	0.625	15.88	0.750	19.05
07	1.500	38.10	1.500	38.10	0.750	19.05	0.875	22.23
08	1.625	41.28	1.625	41.28	0.875	22.23	1.000	25.40
09	1.750	44.45			1.000	25.40	1.125	28.58
10	1.875	47.63			1.125	28.58	1.250	31.75

Note: All dimensions are in inches and millimeters (inch/mm). For complete dimensions, see the applicable Military Specification. Cable entry is defined as the envelope area of the cable or wire bundle. It is not intended for inspection criteria.

# AS85049/18 Series

## EMI/RFI environmental backshell - Aluminum straight

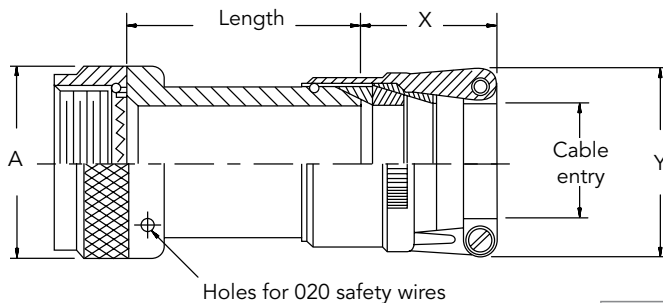
For connectors:

- MIL-DTL-38999 Series III & IV

### Ordering information

<b>Basic Series</b>	AS85049/18	25	W	10
<b>Dash number</b>	09, 11, 13, 15, 17, 19, 21, 23, 25			
<b>Material and plating</b>	N: Aluminum, electroless nickel W: Aluminum, olive drab cadmium over electroless nickel, 1000 hours salt spray			
<b>Clamp size</b>	01, 02, 03, 04, 05, 06, 07, 08, 09, 10: See table below			
<b>Length code</b>	empty: Standard length - see table below A, B, C: See table below			

### Dimensions



#### Length code

Code	Length <sup>±0.32"/0.80</sup>	
	inch	mm
Standard	1.5	38.1
A	2.5	63.5
B	3.5	88.9
C	4.5	114.3

#### Clamp size

Shell size	Clamp size		Ø A maxi	
	mini	maxi	inch	mm
9	01	02	0.75	19.1
11	01	03	0.85	21.6
13	02	04	1.00	25.4
15	02	05	1.15	29.2
17	02	06	1.25	31.8
19	03	07	1.40	35.6
21	03	08	1.55	39.4
23	03	09	1.65	41.9
25	04	10	1.85	47.0

Clamp size	Cable entry				X maxi		Y maxi	
	mini		maxi		inch	mm	inch	mm
	inch	mm	inch	mm				
01	0.062	1.6	0.125	3.2	1.250	31.75	0.800	20.3
02	0.125	3.2	0.250	6.4	1.250	31.75	1.000	25.4
03	0.250	6.4	0.375	9.5	1.250	31.75	1.100	27.9
04	0.375	9.5	0.500	12.7	1.250	31.75	1.200	30.5
05	0.500	12.7	0.625	15.9	1.350	34.29	1.250	31.8
06	0.625	15.9	0.750	19.1	1.375	34.93	1.400	35.6
07	0.750	19.0	0.875	22.2	1.500	38.10	1.500	38.1
08	0.875	22.2	1.000	25.4	1.625	41.28	1.650	41.98
09	1.000	25.4	1.125	28.6	1.625	41.28	1.750	44.5
10	1.125	28.6	1.250	31.8	1.625	41.28	1.900	48.3

Note: All dimensions are in inches and millimeters (inch/mm). For complete dimensions, see the applicable Military Specification. Cable entry is defined as the envelope area of the cable or wire bundle. It is not intended for inspection criteria.

# AS85049/19 Series

## EMI/RFI non-environmental backshell - Aluminum straight

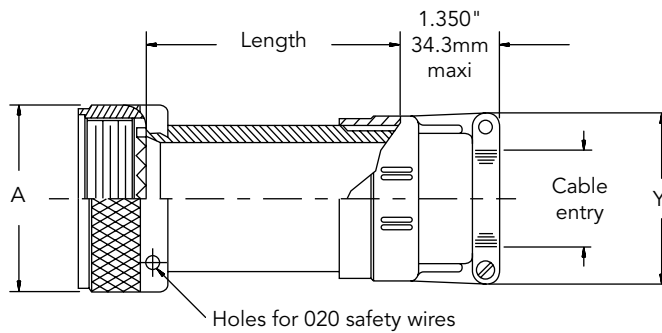
**For connectors:**

- MIL-DTL-38999 Series III & IV
- EN3645

**Ordering information**

<b>Basic Series</b>	AS85049/19	11	W	10	B
<b>Shell size</b>	9, 11, 13, 15, 16, 17, 19, 21, 23, 25				
<b>Material and plating</b>	N: Aluminum, electroless nickel W: Aluminum, olive drab cadmium over electroless nickel, 1000 hours salt spray				
<b>Clamp size</b>	01, 02, 03, 04, 05, 06, 07, 08, 09, 10: See table below				
<b>Length code</b>	empty: Standard length - see table below A, B, C: See table below				

### Dimensions



**Length code**

Code	Length $\pm 0.32 / 0.80$	
	inch	mm
Standard	1.5	38.1
A	2.5	63.5
B	3.5	88.9
C	4.5	114.3

**Clamp size**

Shell size	Clamp size		Ø A maxi	
	mini	maxi	inch	mm
9	01	02	0.75	19.1
11	01	03	0.85	21.6
13	02	04	1.00	25.4
15	02	05	1.10	27.9
17	02	06	1.25	31.8
19	03	07	1.40	35.6
21	03	08	1.50	38.1
23	03	09	1.65	41.9
25	04	10	1.75	44.5

Clamp size	Cable entry				Y maxi	
	mini		maxi		Y maxi	
	inch	mm	inch	mm	inch	mm
01	0.062	1.6	0.125	3.2	0.800	20.3
02	0.125	3.2	0.250	6.4	1.000	25.4
03	0.250	6.4	0.375	9.5	1.100	27.9
04	0.312	7.9	0.500	12.7	1.200	30.5
05	0.437	11.1	0.625	15.9	1.250	31.8
06	0.562	14.3	0.750	19.1	1.400	35.6
07	0.687	17.4	0.875	22.2	1.500	38.1
08	0.812	20.6	1.000	25.4	1.650	41.98
09	0.937	23.8	1.125	28.6	1.750	44.5
10	1.062	27.0	1.250	31.8	1.900	48.3

Note: All dimensions are in inches and millimeters (inch/mm). For complete dimensions, see the applicable Military Specification. Cable entry is defined as the envelope area of the cable or wire bundle. It is not intended for inspection criteria.



## AS85049/20 Series EMI/RFI crimp ring backshell - Aluminum straight

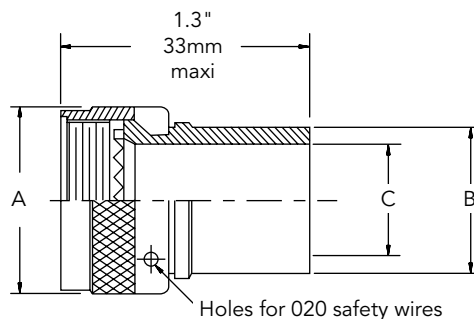
### For connectors:

- MIL-DTL-38999 Series III & IV
- EN3645

### Ordering information

Basic Series	AS85049/20	11	W
Shell size	9, 11, 13, 15, 16, 17, 19, 21, 23, 25		
Material and plating	N: Aluminum, electroless nickel W: Aluminum, olive drab cadmium over electroless nickel, 1000 hours salt spray		

### Dimensions



Crimp ring see page 53

Shell size	Ø A maxi		Ø B maxi		Ø C ±.015"/.04		Crimp ring reference
	inch	mm	inch	mm	inch	mm	
9	0.750	19.1	0.347	8.8	0.250	6.4	-8
11	0.850	21.6	0.498	12.6	0.325	8.3	-10
13	1.000	25.4	0.510	13.0	0.420	10.7	-12
15	1.100	27.9	0.630	16.0	0.540	13.7	-14
17	1.250	31.8	0.760	19.3	0.670	17.0	-16
19	1.400	35.6	0.890	22.6	0.789	20.0	-18
21	1.500	38.1	1.010	25.7	0.914	23.2	-20
23	1.650	41.9	1.130	28.7	1.039	26.4	-22
25	1.750	44.5	1.202	30.5	1.112	28.2	-24

Note: All dimensions are in inches and millimeters (inch/mm). For complete dimensions, see the applicable Military Specification. Cable entry is defined as the envelope area of the cable or wire bundle. It is not intended for inspection criteria.

# AS85049/21 Series

## Non environmental backshell - Aluminum straight

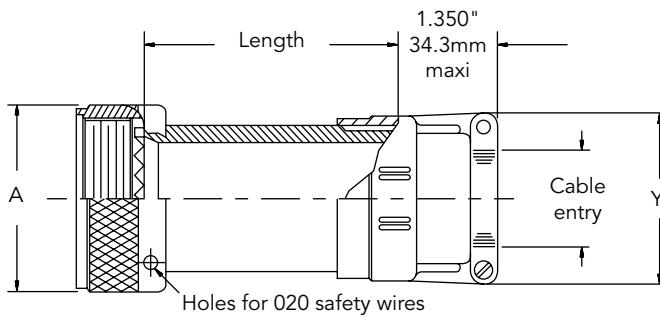
**For connectors:**

- MIL-DTL-38999 Series III & IV
- EN3645

**Ordering information**

<b>Basic Series</b>	AS85049/21	11	A	10	B
<b>Shell size</b> 9, 11, 13, 15, 17, 19, 21, 23, 25					
<b>Material and plating</b> A: Aluminum, black anodize					
<b>Clamp size</b> 01, 02, 03, 04, 05, 06, 07, 08, 09, 10: See table below					
<b>Length code</b> empty: Standard length - see table below A, B, C: See table below					

### Dimensions



**Length code**

Code	Length $\pm 0.32"/0.80$	
	inch	mm
Standard	1.5	38.1
A	2.5	63.5
B	3.5	88.9
C	4.5	114.3

**Clamp size**

Shell size	Clamp size		Ø A maxi	
	mini	maxi	inch	mm
9	01	02	0.75	19.1
11	01	03	0.85	21.6
13	02	04	1.00	25.4
15	02	05	1.10	27.9
17	02	06	1.25	31.8
19	03	07	1.40	35.6
21	03	08	1.50	38.1
23	03	09	1.65	41.9
25	04	10	1.75	44.5

Clamp size	Cable entry				Y maxi	
	mini		maxi		inch	
	inch	mm	inch	mm		
01	0.062	1.6	0.125	3.2	0.800	20.3
02	0.125	3.2	0.250	6.4	1.000	25.4
03	0.250	6.4	0.375	9.5	1.100	27.9
04	0.312	7.9	0.500	12.7	1.200	30.5
05	0.437	11.1	0.625	15.9	1.250	31.8
06	0.562	14.3	0.750	19.1	1.400	35.6
07	0.687	17.4	0.875	22.2	1.500	38.1
08	0.812	20.6	1.000	25.4	1.650	41.98
09	0.937	23.8	1.125	28.6	1.750	44.5
10	1.062	27.0	1.250	31.8	1.900	48.3

Note: All dimensions are in inches and millimeters (millimeters between brackets). For complete dimensions, see the applicable Military Specification. Cable entry is defined as the envelope area of the cable or wire bundle. It is not intended for inspection criteria.

## AS85049/23 Series

### EMI/RFI non-environmental backshell - Aluminum & stainless steel 45°

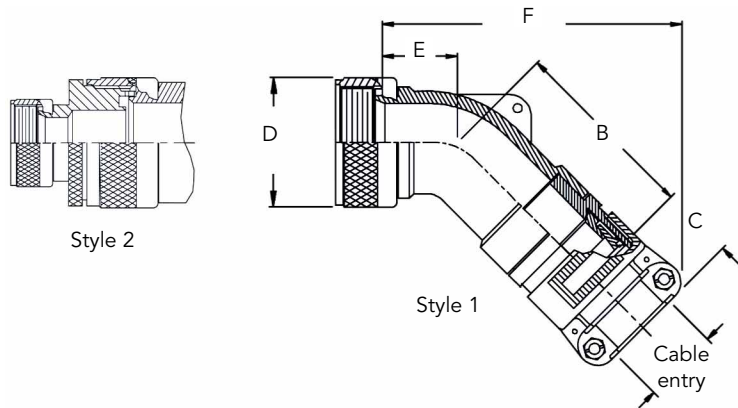
**For connectors:**

- AS50151 crimp
- EN2997 & EN3646
- MIL-DTL-26482 Series 2
- MIL-DTL-83723 Series 3

### Ordering information

<b>Basic Series</b>	AS85049/23	11	W
<b>Dash number</b> 3 thru 75			
<b>Material and plating</b>			
W: Aluminum, olive drab cadmium over electroless nickel, 1000 hours salt spray			
N: Aluminum, electroless nickel			
S: Stainless steel, passivated			
B: Stainless steel, black cadmium			

### Dimensions



Dash number	Shell size	Style	B $\pm 0.125/3.17$		C reference		$\varnothing D$ maxi		E $\pm 0.125/3.17$		F maxi		Cable entry mini		Cable entry maxi	
			inch	mm	inch	mm	inch	mm	inch	mm	inch	mm	inch	mm	inch	mm
3	8	1	1.182	30.0	1.027	26.1	0.617	15.67	0.500	12.7	2.52	64.00	0.125	3.2	0.250	6.4
4	10	1	1.850	46.9	1.027	26.1	0.734	18.64	0.561	14.2	3.05	77.46	0.125	3.2	0.312	7.9
5	10	1	1.245	31.6	1.027	26.1	0.734	18.64	0.561	14.2	2.69	68.32	0.250	6.4	0.375	9.5
6	12	1	1.910	48.5	1.027	26.1	0.858	21.79	0.625	15.8	3.16	80.26	0.125	3.2	0.312	7.9
7	12	1	1.910	48.5	1.027	26.1	0.858	21.79	0.625	15.8	3.22	81.78	0.250	6.4	0.437	11.1
8	12	1	1.910	48.5	1.027	26.1	0.858	21.79	0.625	15.8	3.29	83.56	0.350	8.9	0.500	12.7
9	14	1	2.000	50.8	1.027	26.1	0.984	24.99	0.688	17.4	3.35	85.09	0.250	6.4	0.437	11.1
10	14	1	1.655	42.0	1.027	26.1	0.984	24.99	0.688	17.4	3.17	80.51	0.350	8.9	0.575	14.6
11	16	1	2.110	53.5	1.027	26.1	1.112	28.24	0.781	19.8	3.52	89.40	0.250	6.4	0.437	11.1
12	16	1	1.750	44.4	1.059	26.9	1.112	28.24	0.781	19.8	3.43	87.12	0.500	12.7	0.700	17.8
13	18	1	2.300	58.4	1.027	26.1	1.218	30.93	0.968	24.5	3.91	99.31	0.350	8.9	0.625	15.9

Continued on page 42 and 43

Note: All dimensions are in inches and millimeters (inch/mm). For complete dimensions, see the applicable Military Specification. Cable entry is defined as the envelope area of the cable or wire bundle. It is not intended for inspection criteria.

**AS85049/23 Series (continued)**  
**EMI/RFI non-environmental backshell - Aluminum & stainless steel 45°**

**Dimensions**

Dash number	Shell size	Style	B $\pm 0.125/3.17$		C maxi		Ø D maxi		E $\pm 0.125/3.17$		F maxi		Cable entry mini		Cable entry maxi	
			inch	mm	inch	mm	inch	mm	inch	mm	inch	mm	inch	mm	inch	mm
14	18	1	1.938	49.2	1.156	29.4	1.218	30.93	0.968	24.5	3.90	99.05	0.625	15.9	0.779	19.8
15	20	1	2.300	58.4	1.027	26.1	1.345	34.16	0.968	24.5	3.91	99.31	0.350	8.9	0.625	15.9
16	20	1	1.938	49.2	1.156	29.4	1.345	34.16	0.968	24.5	3.90	99.05	0.625	15.9	0.904	23.0
17	22	1	2.450	62.2	1.059	26.9	1.468	37.28	1.063	27.0	4.21	106.93	0.500	12.7	0.750	19.1
18	22	1	2.093	53.1	1.375	34.9	1.468	37.28	1.063	27.0	4.38	111.25	0.875	22.2	1.029	26.1
19	24	1	2.450	62.2	1.069	27.2	1.593	40.46	1.063	27.0	4.21	106.93	0.500	12.7	0.750	19.1
20	24	1	2.093	53.1	1.375	34.9	1.593	40.46	1.063	27.0	4.38	111.25	0.875	22.2	1.144	29.1
21	28	1	2.500	63.5	1.156	33.7	1.969	50.01	1.188	30.1	4.52	114.80	0.625	15.9	0.937	23.8
22	28	1	2.156	54.7	1.500	38.1	1.969	50.01	1.188	30.1	4.72	119.88	1.000	25.4	1.375	34.9
23	32	1	2.600	66.0	1.156	29.4	2.219	56.36	1.250	31.7	4.65	118.11	0.625	15.9	0.937	23.8
24	32	1	2.600	66.0	1.375	34.9	2.219	56.36	1.250	31.7	4.92	124.96	0.875	22.2	1.250	31.8
25	32	1	2.250	57.1	1.781	45.2	2.219	56.36	1.250	31.7	5.19	131.82	1.250	31.8	1.625	41.3
26	36	1	2.690	68.3	1.156	29.4	2.469	62.71	1.281	32.5	4.74	120.39	0.625	15.9	0.937	23.8
27	36	1	2.690	68.3	1.500	38.1	2.469	62.71	1.281	32.5	5.19	131.82	1.000	25.4	1.375	34.9
28	36	1	2.344	59.5	1.830	46.5	2.489	63.22	1.281	32.5	5.41	137.41	1.437	36.5	1.840	46.7
29	40	1	2.690	68.3	1.156	29.4	2.719	69.06	2.031	51.5	5.49	139.44	0.625	15.9	0.937	23.8
30	40	1	2.690	68.3	1.500	38.1	2.719	69.06	2.031	51.5	5.94	150.87	1.000	25.4	1.375	34.9
31	40	1	2.344	59.5	1.830	46.5	2.719	69.06	2.031	51.5	6.16	156.46	1.437	36.5	1.875	47.6
32	44	1	2.690	68.3	1.156	29.4	2.969	75.41	2.031	51.5	5.49	139.44	0.625	15.9	0.937	23.8
33	44	1	2.690	68.3	1.500	38.1	2.969	75.41	2.031	51.5	5.94	150.87	1.000	25.4	1.375	34.9
34	44	1	2.344	59.5	1.830	46.5	2.969	75.41	2.031	51.5	6.16	156.46	1.437	36.5	1.875	47.6
35	48	1	2.690	68.3	1.156	29.4	3.219	81.76	2.031	51.5	5.49	139.44	0.625	15.9	0.937	23.8
36	48	1	2.690	68.3	1.500	38.1	3.219	81.76	2.031	51.5	5.94	150.87	1.000	25.4	1.375	34.9
37	48	1	2.344	59.5	1.830	46.5	3.219	81.76	2.031	51.5	6.16	156.46	1.437	36.5	1.875	47.6
38	61	1	2.450	62.2	1.059	26.9	1.653	41.98	1.063	27.0	4.21	106.93	0.500	12.7	0.750	19.1
39	61	1	2.093	53.1	1.375	34.9	1.653	41.98	1.063	27.0	4.38	111.25	0.875	22.2	1.184	30.1
40	16	1	2.110	53.5	1.027	26.1	1.112	28.24	0.781	19.8	3.59	91.18	0.350	8.9	0.625	15.9
41	18	1	2.300	58.4	1.027	26.1	1.218	30.93	0.968	24.5	3.80	96.52	0.125	3.2	0.312	7.9
42	18	1	2.300	58.4	1.027	26.1	1.218	30.93	0.968	24.5	3.84	97.53	0.250	6.4	0.437	11.1
43	20	1	2.300	58.4	1.027	26.1	1.345	34.16	0.968	24.5	3.84	97.53	0.250	6.4	0.437	11.1
44	22	1	2.450	62.2	1.027	26.1	1.488	37.79	1.063	27.0	3.98	101.09	0.125	3.2	0.312	7.9
45	22	1	2.450	62.2	1.027	26.1	1.468	37.28	1.063	27.0	4.04	102.61	0.250	6.4	0.437	11.1
46	24	1	2.450	62.2	1.027	26.1	1.593	40.46	1.063	27.0	4.11	104.39	0.350	8.9	0.625	15.9
47	36	1	2.690	68.3	1.059	26.9	2.469	62.71	1.281	32.5	4.60	116.83	0.500	12.7	0.750	19.1
48	40	1	2.690	68.3	1.059	26.9	2.719	69.06	2.031	51.5	5.35	135.89	0.500	12.7	0.750	19.1
49	10	2	1.910	48.5	1.027	26.1	0.734	18.64	1.375	34.9	3.97	100.83	0.250	6.1	0.437	11.1

Continued from page 35 and continued on page 37

Note: All dimensions are in inches and millimeters (inch/mm). For complete dimensions, see the applicable Military Specification. Cable entry is defined as the envelope area of the cable or wire bundle. It is not intended for inspection criteria.

**AS85049/23 Series (continued)**  
**EMI/RFI non-environmental backshell - Aluminum & stainless steel 45°**

**Dimensions**

Dash number	Shell size	Style	B $\pm 0.125/3.17$		C maxi		Ø D maxi		E $\pm 0.125/3.17$		F maxi		Cable entry mini		Cable entry maxi	
			inch	mm	inch	mm	inch	mm	inch	mm	inch	mm	inch	mm	inch	mm
50	14	2	2.300	58.4	1.059	26.9	0.984	24.99	1.717	43.6	4.76	120.90	0.500	12.7	0.750	19.1
51	16	2	2.450	62.2	1.156	29.4	1.112	28.24	1.812	46.0	5.11	129.79	0.625	15.9	0.937	23.8
52	18	1	2.300	58.4	1.059	26.9	1.218	30.93	0.968	24.5	4.01	101.85	0.500	12.7	0.750	19.1
54	20	1	2.300	58.4	1.059	26.9	1.345	34.16	0.968	24.5	4.01	101.85	0.500	12.7	0.750	19.1
55	20	2	2.500	63.5	1.375	34.9	1.345	34.16	1.936	49.1	5.54	140.71	0.875	22.2	1.250	31.8
56	22	1	2.450	62.2	1.027	26.1	1.468	37.28	1.063	27.0	4.11	104.39	0.350	8.9	0.625	15.9
57	22	1	2.450	62.2	1.156	29.4	1.468	37.28	1.063	27.0	4.36	110.74	0.625	15.9	0.937	23.8
58	22	2	2.500	63.5	1.375	34.9	1.468	37.28	1.936	49.1	5.54	140.71	0.875	22.2	1.250	31.8
59	24	1	2.450	62.2	1.156	29.4	1.593	40.46	1.063	27.0	4.36	110.74	0.625	15.9	0.937	23.8
60	28	1	2.500	63.5	1.059	26.9	1.969	50.01	1.188	30.1	4.37	110.99	0.500	12.7	0.750	19.1
61	28	1	2.500	63.5	1.375	34.9	1.969	50.01	1.188	30.1	4.79	121.66	0.875	22.2	1.250	31.8
62	32	1	2.600	66.0	1.500	38.1	2.219	56.36	1.250	31.7	5.10	129.54	1.000	25.4	1.375	34.9
63	36	1	2.690	68.3	1.375	34.9	2.469	62.71	1.281	32.5	5.02	127.50	0.875	22.2	1.250	31.8
64	36	1	2.690	68.3	1.781	45.2	2.469	62.71	1.281	32.5	5.54	140.71	1.250	31.8	1.625	41.3
65	40	1	2.690	68.3	1.375	34.9	2.719	69.06	2.031	51.5	5.77	146.55	0.875	22.2	1.250	31.8
66	40	1	2.690	68.3	1.781	45.2	2.719	69.06	2.031	51.5	6.29	159.76	1.250	31.8	1.625	41.3
67	44	1	2.690	68.3	1.375	34.9	2.969	75.41	2.031	51.5	5.77	146.55	0.875	22.2	1.250	31.8
68	44	1	2.690	68.3	1.781	45.2	2.969	75.41	2.031	51.5	6.29	159.76	1.250	31.8	1.625	41.3
69	48	1	2.690	68.3	1.375	34.9	3.219	81.76	2.031	51.5	5.77	146.55	0.875	22.2	1.250	31.8
70	48	1	2.690	68.3	1.781	45.2	3.219	81.76	2.031	51.5	6.29	159.76	1.250	31.8	1.625	41.3
71	12	2	2.110	53.5	1.027	26.1	0.858	21.79	1.529	38.8	4.33	109.98	0.350	8.9	0.625	15.9
72	18	2	2.450	62.2	1.156	29.4	1.218	30.93	1.812	46.0	5.10	129.54	0.625	15.9	0.937	23.8
73	24	2	2.500	63.5	1.375	34.9	1.593	40.46	1.936	49.1	5.53	140.46	0.875	22.2	1.250	31.8
74	14	1	2.000	50.8	1.027	26.1	0.984	24.99	0.688	17.4	3.28	83.31	0.125	3.2	0.312	7.9
75	16	1	2.110	53.5	1.027	26.1	1.112	28.24	0.781	19.8	3.45	87.63	0.125	3.2	0.312	7.9

Continued from page 35 and 36

Note: All dimensions are in inches and millimeters (inch/mm). For complete dimensions, see the applicable Military Specification. Cable entry is defined as the envelope area of the cable or wire bundle. It is not intended for inspection criteria.

## AS85049/24 Series

### EMI/RFI non-environmental backshell - Aluminum & stainless steel 90°

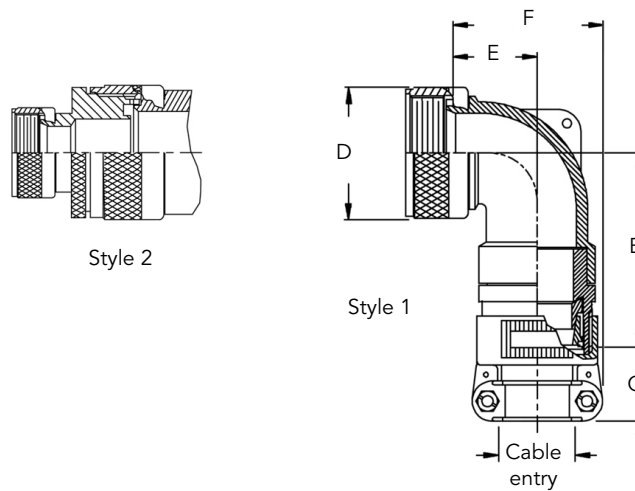
**For connectors:**

- AS50151 crimp
- EN2997 & EN3646
- MIL-DTL-26482 Series 2
- MIL-DTL-83723 Series 3

### Ordering information

<b>Basic Series</b>	<b>AS85049/24</b>	<b>11</b>	<b>W</b>
<b>Dash number</b> 3 thru 75			
<b>Material and plating</b>			
<b>W:</b> Aluminum, olive drab cadmium over electroless nickel, 1000 hours salt spray			
<b>N:</b> Aluminum, electroless nickel			
<b>S:</b> Stainless steel, passivated			
<b>B:</b> Stainless steel, black cadmium			

### Dimensions



Dash number	Shell size	Style	B <sup>±.125"/3.1</sup>		C ref.		Ø D maxi		E <sup>±.125"/3.1</sup>		F maxi		Cable entry mini		Cable entry maxi	
			inch	mm	inch	mm	inch	mm	inch	mm	inch	mm	inch	mm	inch	mm
3	8	1	1.200	30.4	1.027	26.0	0.617	15.6	0.541	13.7	1.09	27.6	0.125	3.1	0.250	6.3
4	10	1	1.920	48.7	1.027	26.0	0.734	18.6	0.636	16.1	1.18	29.9	0.125	3.1	0.312	7.9
5	10	1	1.320	33.5	1.027	26.0	0.734	18.6	0.636	16.1	1.27	32.2	0.250	6.3	0.375	9.5
6	12	1	1.940	49.2	1.027	26.0	0.858	21.7	0.641	16.2	1.18	29.9	0.125	3.1	0.312	7.9
7	12	1	1.940	49.2	1.027	26.0	0.858	21.7	0.641	16.2	1.28	32.5	0.250	6.3	0.437	11.0
8	12	1	1.335	33.9	1.027	26.0	0.858	21.7	0.641	16.2	1.37	34.7	0.350	8.8	0.500	12.7
9	14	1	2.010	51.0	1.027	26.0	0.984	24.9	0.741	18.8	1.38	35.0	0.250	6.3	0.437	11.0
10	14	1	1.655	42.0	1.027	26.0	0.984	24.9	0.741	18.8	1.47	37.3	0.350	8.8	0.575	14.6
11	16	1	2.100	53.3	1.027	26.0	1.112	28.2	0.926	23.5	1.59	40.3	0.250	6.3	0.437	11.0
12	16	1	1.745	44.3	1.059	26.8	1.112	28.2	0.926	23.5	1.77	44.9	0.500	12.7	0.700	17.7

Continued on page 45 and 46

Note: All dimensions are in inches and millimeters (inch/mm). For complete dimensions, see the applicable Military Specification. Cable entry is defined as the envelope area of the cable or wire bundle. It is not intended for inspection criteria.

**AS85049/24 Series (continued)**  
**EMI/RFI non-environmental backshell - Aluminum & stainless steel 90°**

**Dimensions**

Dash number	Shell size	Style	B <sup>±.125"/3.1</sup>		C		Ø D maxi		E <sup>±.125"/3.1</sup>		F maxi		Cable entry mini		Cable entry maxi	
			inch	mm	inch	mm	inch	mm	inch	mm	inch	mm	inch	mm	inch	mm
13	18	1	2.270	57.6	1.027	26.0	1.218	30.9	1.016	25.8	1.80	45.7	0.350	8.8	0.625	15.8
14	18	1	1.920	48.7	1.156	29.3	1.218	30.9	1.016	25.8	1.97	50.0	0.625	15.8	0.779	19.7
15	20	1	2.270	57.6	1.027	26.0	1.345	34.1	1.016	25.8	1.80	45.7	0.350	8.8	0.625	15.8
16	20	1	1.920	48.7	1.156	29.3	1.345	34.1	1.016	25.8	1.97	50.0	0.625	15.8	0.904	22.9
17	22	1	2.380	60.4	1.059	26.8	1.468	37.2	1.166	29.6	2.11	53.5	0.500	12.7	0.750	19.0
18	22	1	2.025	51.4	1.375	34.9	1.468	37.2	1.166	29.6	2.29	58.1	0.875	22.2	1.029	26.1
19	24	1	2.380	60.4	1.059	26.8	1.593	40.4	1.166	29.6	2.11	53.5	0.500	12.7	0.750	19.0
20	24	1	2.025	51.4	1.375	34.9	1.593	40.4	1.166	29.6	2.29	58.1	0.875	22.2	1.144	29.0
21	28	1	2.550	64.7	1.156	29.3	1.969	50.0	1.266	32.1	2.33	59.1	0.625	15.8	0.937	23.7
22	28	1	2.195	55.7	1.500	38.0	1.969	50.0	1.266	32.1	2.51	63.7	1.000	25.4	1.375	34.9
23	32	1	2.800	71.1	1.156	29.3	2.219	56.3	1.616	41.0	2.81	71.3	0.625	15.8	0.937	23.7
24	32	1	2.800	71.1	1.375	34.9	2.219	56.3	1.616	41.0	2.81	71.3	0.875	22.2	1.250	31.7
25	32	1	2.445	62.1	1.781	45.2	2.219	56.3	1.616	41.0	3.07	77.9	1.250	31.7	1.625	41.2
26	36	1	2.770	70.3	1.156	29.3	2.469	62.7	1.816	46.1	3.13	79.5	0.625	15.8	0.937	23.7
27	36	1	2.770	70.3	1.500	38.0	1.469	37.3	1.816	46.1	3.13	79.5	1.000	25.4	1.375	34.9
28	36	1	2.415	61.3	1.830	46.4	2.469	62.7	1.816	46.1	3.39	86.1	1.437	36.4	1.840	46.7
29	40	1	2.770	70.3	1.156	29.3	2.719	69.0	2.566	65.1	3.88	98.5	0.625	15.8	0.937	23.7
30	40	1	2.770	70.3	1.500	38.0	2.719	69.0	2.566	65.1	3.88	98.5	1.000	25.4	1.375	34.9
31	40	1	2.415	61.3	1.830	46.4	2.719	69.0	2.566	65.1	4.14	105.1	1.437	36.4	1.875	47.6
32	44	1	2.770	70.3	1.156	29.3	2.969	75.4	2.566	65.1	3.88	98.5	0.625	15.8	0.937	23.7
33	44	1	2.770	70.3	1.500	38.0	2.969	75.4	2.566	65.1	3.88	98.5	1.000	25.4	1.375	34.9
34	44	1	2.415	61.3	1.830	46.4	2.969	75.4	2.566	65.1	4.14	105.1	1.437	36.4	1.875	47.6
35	48	1	2.770	70.3	1.156	29.3	3.219	81.7	2.566	65.1	3.88	98.5	0.625	15.8	0.937	23.7
36	48	1	2.770	70.3	1.500	38.0	3.219	81.7	2.566	65.1	3.88	98.5	1.000	25.4	1.375	34.9
37	48	1	2.415	61.3	1.830	46.4	3.219	81.7	2.566	65.1	4.14	105.1	1.437	36.4	1.875	47.6
40	16	1	2.100	53.3	1.027	26.0	1.112	28.2	0.926	23.5	1.66	42.1	0.350	8.8	0.625	15.8
41	18	1	2.270	57.6	1.027	26.0	1.218	30.9	1.016	25.8	1.80	45.7	0.125	3.1	0.312	7.9
42	18	1	2.270	57.6	1.027	26.0	1.218	30.9	1.016	25.8	1.80	45.7	0.250	6.3	0.437	11.0
43	20	1	2.270	57.6	1.027	26.0	1.345	34.1	1.016	25.8	1.80	45.7	0.250	6.3	0.437	11.0
44	22	1	2.380	60.4	1.027	26.0	1.468	37.2	1.166	29.6	2.11	53.5	0.125	3.1	0.312	7.9
45	22	1	2.380	60.4	1.027	26.0	1.468	37.2	1.166	29.6	2.11	53.5	0.250	6.3	0.437	11.0
46	24	1	2.380	60.4	1.027	26.0	1.593	40.4	1.166	29.6	2.11	53.5	0.350	8.8	0.625	15.8
47	36	1	2.770	70.3	1.059	26.8	2.469	62.7	1.816	46.1	3.13	79.5	0.500	12.7	0.750	19.0
48	40	1	2.770	70.3	1.059	26.8	2.719	69.0	1.816	46.1	3.88	98.5	0.500	12.7	0.750	19.0
49	10	2	1.940	49.2	1.027	26.0	0.734	18.6	1.381	35.0	2.03	51.5	0.250	6.3	0.437	11.0
50	14	2	2.270	57.6	1.059	26.8	0.984	24.9	1.766	44.8	2.61	66.2	0.500	12.7	0.750	19.0

Continued from page 44 and continued on page 46

Note: All dimensions are in inches and millimeters (inch/mm). For complete dimensions, see the applicable Military Specification. Cable entry is defined as the envelope area of the cable or wire bundle. It is not intended for inspection criteria.

**AS85049/24 Series (continued)**

**EMI/RFI non-environmental backshell - Aluminum & stainless steel 90°**

**Dimensions**

Dash number	Shell size	Style	B <sup>±.125"/3.1</sup>		C		Ø D maxi		E <sup>±.125"/3.1</sup>		F maxi		Cable entry mini		Cable entry maxi	
			inch	mm	inch	mm	inch	mm	inch	mm	inch	mm	inch	mm	inch	mm
51	16	2	2.380	60.4	1.156	29.3	1.112	28.2	1.916	48.6	2.87	72.8	0.625	15.8	0.937	23.7
52	18	1	2.270	57.6	1.059	26.8	1.218	30.9	1.016	25.8	1.86	47.2	0.500	12.7	0.750	19.0
54	20	1	2.270	57.6	1.059	26.8	1.345	34.1	1.016	25.8	1.86	47.2	0.500	12.7	0.750	19.0
55	20	2	2.550	64.7	1.375	34.9	1.345	34.1	2.016	51.2	3.14	79.7	0.875	22.2	1.250	31.7
56	22	1	2.380	60.4	1.027	26.0	1.468	37.2	1.166	29.6	2.11	53.5	0.350	8.8	0.625	15.8
57	22	1	2.380	60.4	1.156	29.3	1.468	37.2	1.166	29.6	2.12	53.8	0.625	15.8	0.937	23.7
58	22	2	2.550	64.7	1.375	34.9	1.468	37.2	2.016	51.2	3.14	79.7	0.875	22.2	1.250	31.7
59	24	1	2.380	60.4	1.156	29.3	1.593	40.4	1.166	29.6	2.14	54.3	0.625	15.8	0.937	23.7
60	28	1	2.550	64.7	1.059	26.8	1.969	50.0	1.266	32.1	2.33	59.1	0.500	12.7	0.750	19.0
61	28	1	2.550	64.7	1.375	34.9	1.969	50.0	1.266	32.1	2.39	60.7	0.875	22.2	1.250	31.7
62	32	1	2.800	71.1	1.500	38.1	2.219	56.3	1.616	41.0	2.86	72.6	1.000	25.4	1.375	34.9
63	36	1	2.770	70.3	1.375	34.9	2.469	62.7	1.816	46.1	3.13	79.5	0.875	22.2	1.250	31.7
64	36	1	2.770	70.3	1.781	45.2	2.469	62.7	1.816	46.1	3.27	83.0	1.250	31.7	1.625	41.2
65	40	1	2.770	70.3	1.375	34.9	2.719	69.0	2.566	65.1	3.88	98.5	0.875	22.2	1.250	31.7
66	40	1	2.770	70.3	1.781	45.2	2.719	69.0	2.566	65.1	4.02	102.1	1.250	31.7	1.625	41.2
67	44	1	2.770	70.3	1.375	34.9	2.969	75.4	2.566	65.1	3.88	98.5	0.875	22.2	1.250	31.7
68	44	1	2.770	70.3	1.781	45.2	2.969	75.4	2.566	65.1	4.02	102.1	1.250	31.7	1.625	41.2
69	48	1	2.770	70.3	1.375	34.9	3.219	81.7	2.566	65.1	3.88	98.5	0.875	22.2	1.250	31.7
70	48	1	2.770	70.3	1.781	45.2	3.219	81.7	2.566	65.1	4.02	102.1	1.250	31.7	1.625	41.2
71	12	2	2.100	53.3	1.027	26.0	0.858	21.7	1.686	42.8	2.42	61.4	0.350	8.8	0.625	15.8
72	18	2	2.380	60.4	1.156	29.3	1.218	30.9	1.925	48.8	2.88	73.1	0.625	15.8	0.937	23.7
73	24	2	2.550	64.7	1.375	34.9	1.593	40.4	2.026	51.4	3.15	80.0	0.875	22.2	1.250	31.7
74	14	1	2.010	51.0	1.027	26.0	0.984	24.9	0.741	18.8	1.31	33.2	0.125	3.1	0.312	7.9
75	16	1	2.100	53.3	1.027	26.0	1.112	28.2	0.926	23.5	1.59	40.3	0.125	3.1	0.312	7.9

Continued from page 44 and 45

Note: All dimensions are in inches and millimeters (inch/mm). For complete dimensions, see the applicable Military Specification. Cable entry is defined as the envelope area of the cable or wire bundle. It is not intended for inspection criteria.



## AS85049/25 Series

### EMI/RFI non-environmental backshell - Aluminum & stainless steel straight

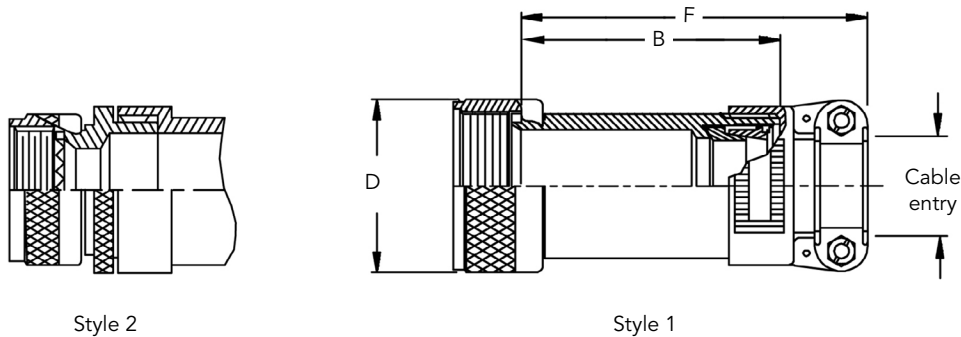
**For connectors:**

- AS50151 crimp
- EN2997 & EN3646
- MIL-DTL-26482 Series 2
- MIL-DTL-83723 Series 3

### Ordering information

<b>Basic Series</b>	AS85049/25	11	W
<b>Dash number</b> 5 thru 157			
<b>Material and plating</b>			
W: Aluminum, olive drab cadmium over electroless nickel, 1000 hours salt spray			
N: Aluminum, electroless nickel			
S: Stainless steel, passivated			
B: Stainless steel, black cadmium			

### Dimensions



Dash number	Shell size	Style	B <sup>±.125"/ 3.2</sup>		Ø D maxi		F maxi		Cable entry mini		Cable entry maxi	
			inch	mm	inch	mm	inch	mm	inch	mm	inch	mm
5	8	1	2.00	50.8	0.617	15.6	3.15	80.0	0.125	3.1	0.250	6.3
6	8	1	3.00	76.1	0.617	15.6	4.15	105.4	0.125	3.1	0.250	6.3
7	8	2	2.75	69.8	0.617	15.6	3.90	99.0	0.250	6.3	0.437	11.0
8	8	2	3.75	95.2	0.617	15.6	4.90	124.4	0.250	6.3	0.437	11.0
9	10	1	2.00	50.8	0.734	18.6	3.15	80.0	0.125	3.1	0.312	7.9
10	10	1	3.00	76.1	0.734	18.6	4.15	105.4	0.125	3.1	0.312	7.9
11	10	2	2.75	69.8	0.734	18.6	3.90	99.0	0.250	6.3	0.437	11.0
12	10	2	3.75	95.2	0.734	18.6	4.90	124.4	0.250	6.3	0.437	11.0
13	12	1	2.00	50.8	0.858	21.7	3.15	80.0	0.250	6.3	0.437	11.0
14	12	1	3.00	76.1	0.858	21.7	4.15	105.4	0.250	6.3	0.437	11.0

Continued on page 48 and 51

Note: All dimensions are in inches and millimeters (inch/mm). For complete dimensions, see the applicable Military Specification. Cable entry is defined as the envelope area of the cable or wire bundle. It is not intended for inspection criteria.

**AS85049/25 Series (continued)**  
**EMI/RFI non-environmental backshell - Aluminum & stainless steel straight**

**Dimensions**

Dash number	Shell size	Style	B <sup>±.125"/ 3.2</sup>		Ø D maxi		F maxi		Cable entry mini		Cable entry maxi	
			inch	mm	inch	mm	inch	mm	inch	mm	inch	mm
15	12	2	2.75	69.8	0.858	21.7	3.90	99.0	0.350	8.8	0.625	15.8
16	12	2	3.75	95.2	0.858	21.7	4.90	124.4	0.350	8.8	0.625	15.8
17	14	1	2.00	50.8	0.984	24.9	3.15	80.0	0.350	8.8	0.575	14.6
18	14	1	3.00	76.2	0.984	24.9	4.15	105.4	0.350	8.8	0.575	14.6
19	14	2	2.75	69.8	0.984	24.9	3.93	99.8	0.500	12.7	0.750	19.0
20	14	2	3.75	95.2	0.984	24.9	5.04	128.0	0.500	12.7	0.750	19.0
21	16	1	2.00	50.8	1.112	28.2	3.18	80.7	0.500	12.7	0.700	17.7
22	16	1	3.00	76.2	1.112	28.2	4.18	106.1	0.500	12.7	0.700	17.7
23	16	2	2.75	69.8	1.112	28.2	4.02	102.1	0.625	15.8	0.937	23.7
24	16	2	3.75	95.2	1.112	28.2	5.02	127.5	0.625	15.8	0.937	23.7
25	18	1	2.00	50.8	1.218	30.9	3.15	80.0	0.350	8.8	0.625	15.8
26	18	1	3.00	76.2	1.218	30.9	4.15	105.4	0.350	8.8	0.625	15.8
27	18	1	2.00	50.8	1.218	30.9	3.18	80.7	0.500	12.7	0.750	19.0
28	18	1	3.00	76.2	1.218	30.9	4.18	106.1	0.500	12.7	0.750	19.0
29	18	2	2.75	69.8	1.218	30.9	4.02	102.1	0.625	15.8	0.937	23.7
30	18	2	3.70	93.9	1.218	30.9	5.02	127.5	0.625	15.8	0.937	23.7
31	20	1	3.00	76.2	1.345	34.1	4.15	105.4	0.350	8.8	0.625	15.8
32	20	1	4.00	101.6	1.345	34.1	5.15	130.8	0.350	8.8	0.625	15.8
33	20	1	3.00	76.2	1.345	34.1	4.18	106.1	0.500	12.7	0.750	19.0
34	20	1	4.00	101.6	1.345	34.1	5.18	131.5	0.500	12.7	0.750	19.0
35	20	2	3.75	95.2	1.345	34.1	5.02	127.5	0.625	15.8	0.937	23.7
36	20	2	4.75	4.75	1.345	34.1	6.02	152.9	0.625	15.8	0.937	23.7
37	20	2	3.75	95.2	1.345	34.1	5.24	133.0	0.875	22.2	1.250	31.7
38	20	2	4.75	4.75	1.345	34.1	6.24	158.4	0.875	22.2	1.250	31.7
39	22	1	3.00	76.2	1.468	37.2	4.15	105.4	0.350	8.8	0.625	15.8
40	22	1	4.00	101.6	1.468	37.2	5.15	130.8	0.350	8.8	0.625	15.8
41	22	1	3.00	76.2	1.468	37.2	4.18	106.1	0.500	12.7	0.750	19.0
42	22	1	4.00	101.6	1.468	37.2	5.18	131.5	0.500	12.7	0.750	19.0
43	22	1	3.00	76.2	1.468	37.2	4.27	108.4	0.625	15.8	0.937	23.7
44	22	1	4.00	101.6	1.468	37.2	5.27	133.8	0.625	15.8	0.937	23.7
45	22	2	3.75	95.2	1.468	37.2	5.24	133.0	0.875	22.2	1.250	31.7
46	22	2	4.75	4.75	1.468	37.2	6.24	158.4	0.875	22.2	1.250	31.7
47	24	1	3.00	76.2	1.593	40.4	4.18	106.1	0.500	12.7	0.750	19.0
48	24	1	4.00	101.6	1.593	40.4	5.18	131.5	0.500	12.7	0.750	19.0
49	24	1	3.00	76.2	1.593	40.4	4.27	108.4	0.625	15.8	0.812	20.6
50	24	1	4.00	101.6	1.593	40.4	5.27	133.8	0.625	15.8	0.812	20.6

Continued from page 47 and continued on page 51

Note: All dimensions are in inches and millimeters (inch/mm). For complete dimensions, see the applicable Military Specification. Cable entry is defined as the envelope area of the cable or wire bundle. It is not intended for inspection criteria.

**AS85049/25 Series (continued)**  
**EMI/RFI non-environmental backshell - Aluminum & stainless steel straight**

**Dimensions**

Dash number	Shell size	Style	B <sup>±.125"/ 3.1</sup>		Ø D maxi		F maxi		Cable entry mini		Cable entry maxi	
			inch	mm	inch	mm	inch	mm	inch	mm	inch	mm
51	24	1	3.00	76.2	1.593	40.4	4.27	108.4	0.625	15.8	0.937	23.7
52	24	1	4.00	101.6	1.593	40.4	5.27	133.8	0.625	15.8	0.937	23.7
53	24	2	3.75	95.2	1.593	40.4	5.24	133.0	0.875	22.2	1.250	31.7
54	24	2	4.75	120.6	1.593	40.4	6.24	158.4	0.875	22.2	1.250	31.7
55	28	1	3.00	76.2	1.969	50.0	4.16	105.6	0.500	12.7	0.750	19.0
56	28	1	4.00	101.6	1.969	50.0	5.16	131.0	0.500	12.7	0.750	19.0
57	28	1	3.00	76.2	1.969	50.0	4.26	108.2	0.625	15.8	0.937	23.7
58	28	1	4.00	101.6	1.969	50.0	5.26	133.6	0.625	15.8	0.937	23.7
59	28	1	3.00	76.2	1.969	50.0	4.48	113.7	0.875	22.2	1.250	31.7
60	28	1	4.00	101.6	1.969	50.0	5.48	139.1	0.875	22.2	1.250	31.7
61	28	1	3.00	76.2	1.969	50.0	4.60	116.8	1.000	25.4	1.375	34.9
62	28	1	4.00	101.6	1.969	50.0	5.60	142.2	1.000	25.4	1.375	34.9
63	32	1	3.00	76.2	2.219	56.3	4.26	108.2	0.625	15.8	0.937	23.7
64	32	1	4.00	101.6	2.219	56.3	5.26	133.6	0.625	15.8	0.937	23.7
65	32	1	3.00	76.2	2.219	56.3	4.48	113.7	0.875	22.2	1.250	31.7
66	32	1	4.00	101.6	2.219	56.3	5.48	139.1	0.875	22.2	1.250	31.7
67	32	1	3.00	76.2	2.219	56.3	4.60	116.8	1.000	25.4	1.375	34.9
68	32	1	4.00	101.6	2.219	56.3	5.60	142.2	1.000	25.4	1.375	34.9
69	32	1	3.00	76.2	2.219	56.3	4.89	124.2	1.250	31.7	1.625	41.2
70	32	1	4.00	101.6	2.219	56.3	5.89	149.6	1.250	31.7	1.625	41.2
71	36	1	4.00	101.6	2.469	62.7	5.49	139.4	0.875	22.2	1.250	31.7
72	36	1	5.00	127.0	2.469	62.7	6.49	164.8	0.875	22.2	1.250	31.7
73	36	1	4.00	101.6	2.469	62.7	5.60	142.2	1.000	25.4	1.375	34.9
74	36	1	5.00	127.0	2.469	62.7	6.60	167.6	1.000	25.4	1.375	34.9
75	36	1	4.00	101.6	2.469	62.7	5.89	149.6	1.250	31.7	1.625	41.2
76	36	1	5.00	127.0	2.469	62.7	6.89	175.0	1.250	31.7	1.625	41.2
77	36	2	4.88	123.9	2.469	62.7	6.81	172.9	1.437	36.4	1.875	47.6
78	36	2	5.88	149.3	2.469	62.7	7.81	198.3	1.437	36.4	1.875	47.6
79	40	1	4.00	101.6	2.719	69.0	5.48	139.1	0.875	22.2	1.250	31.7
80	40	1	5.00	127.0	2.719	69.0	6.48	164.5	0.875	22.2	1.250	31.7
81	40	1	4.00	101.6	2.719	69.0	5.60	142.2	1.000	25.4	1.375	34.9
82	40	1	5.00	127.0	2.719	69.0	6.60	167.6	1.000	25.4	1.375	34.9
83	40	1	4.00	101.6	2.719	69.0	5.89	149.6	1.250	31.8	1.625	41.3
84	40	1	5.00	127.0	2.719	69.0	6.89	175.0	1.250	31.8	1.625	41.3
85	40	1	4.00	101.6	2.719	69.0	5.93	150.6	1.437	36.5	1.875	47.6
86	40	1	5.00	127.0	2.719	69.0	6.93	176.0	1.437	36.5	1.875	47.6

Continued from page 48 and continued on page 51

Note: All dimensions are in inches and millimeters (inch/mm). For complete dimensions, see the applicable Military Specification. Cable entry is defined as the envelope area of the cable or wire bundle. It is not intended for inspection criteria.

**AS85049/25 Series (continued)**  
**EMI/RFI non-environmental backshell - Aluminum & stainless steel straight**

**Dimensions**

Dash number	Shell size	Style	B <sup>±.125"/ 3.2</sup>		Ø D maxi		F maxi		Cable entry mini		Cable entry maxi	
			inch	mm	inch	mm	inch	mm	inch	mm	inch	mm
87	44	1	4.00	101.6	2.969	75.4	5.48	139.2	0.875	22.2	1.250	31.8
88	44	1	5.00	127.0	2.969	75.4	6.48	164.6	0.875	22.2	1.250	31.8
89	44	1	4.00	101.6	2.969	75.4	5.60	142.2	1.000	25.4	1.375	34.9
90	44	1	5.00	127.0	2.969	75.4	6.60	167.6	1.000	25.4	1.375	34.9
91	44	1	4.00	101.6	2.969	75.4	5.89	149.6	1.250	31.8	1.625	41.3
92	44	1	5.00	127.0	2.969	75.4	6.89	175.0	1.250	31.8	1.625	41.3
93	44	1	4.00	101.6	2.969	75.4	5.93	150.6	1.437	36.5	1.875	47.6
94	44	1	5.00	127.0	2.969	75.4	6.93	176.0	1.437	36.5	1.875	47.6
95	48	1	4.00	101.6	3.219	81.8	5.48	139.2	0.875	22.2	1.250	31.8
96	48	1	5.00	127.0	3.219	81.8	6.48	164.6	0.875	22.2	1.250	31.8
97	48	1	4.00	101.6	3.219	81.8	5.60	142.2	1.000	25.4	1.375	34.9
98	48	1	5.00	127.0	3.219	81.8	6.60	167.6	1.000	25.4	1.375	34.9
99	48	1	4.00	101.6	3.219	81.8	5.89	149.6	1.250	31.8	1.625	41.3
100	48	1	5.00	127.0	3.219	81.8	6.89	175.0	1.250	31.8	1.625	41.3
101	48	1	4.00	101.6	3.219	81.8	5.93	150.6	1.437	36.5	1.875	47.6
102	48	1	5.00	127.0	3.219	81.8	6.93	176.0	1.437	36.5	1.875	47.6
111	12	1	2.00	50.8	0.858	21.8	3.15	80.0	0.350	8.9	0.500	12.7
112	16	1	2.00	50.8	1.112	28.2	3.15	80.0	0.250	6.4	0.437	11.1
113	16	1	3.00	76.2	1.112	28.2	4.15	105.4	0.250	6.4	0.437	11.1
114	12	1	2.00	50.8	0.858	21.8	3.15	80.0	0.125	3.2	0.312	7.9
115	12	1	3.00	76.2	0.858	21.8	4.15	105.4	0.125	3.2	0.312	7.9
116	14	1	2.00	50.8	0.984	25.0	3.15	80.0	0.250	6.4	0.437	11.1
117	14	1	3.00	76.2	0.984	25.0	4.15	105.4	0.250	6.4	0.437	11.1
118	16	1	2.00	50.8	1.112	28.2	3.15	80.0	0.350	8.9	0.625	15.9
119	16	1	3.00	76.2	1.112	28.2	4.15	105.4	0.350	8.9	0.625	15.9
120	18	1	2.00	50.8	1.218	30.9	3.15	80.0	0.125	3.2	0.312	7.9
121	18	1	3.00	76.2	1.218	30.9	4.15	105.4	0.125	3.2	0.312	7.9
122	18	1	2.00	50.8	1.218	30.9	3.15	80.0	0.250	6.4	0.437	11.1
123	18	1	3.00	76.2	1.218	30.9	4.15	105.4	0.250	6.4	0.437	11.1
124	20	1	3.00	76.2	1.345	34.2	4.15	105.4	0.250	6.4	0.437	11.1
125	20	1	4.00	101.6	1.345	34.2	5.15	130.8	0.250	6.4	0.437	11.1
126	22	1	3.00	76.2	1.468	37.3	4.15	105.4	0.125	3.2	0.312	7.9
127	22	1	4.00	101.6	1.468	37.3	5.15	130.8	0.125	3.2	0.312	7.9
128	22	1	3.00	76.2	1.468	37.3	4.15	105.4	0.250	6.4	0.437	11.1
129	22	1	4.00	101.6	1.468	37.3	5.15	130.8	0.250	6.4	0.437	11.1
130	24	1	3.00	76.2	1.593	40.5	4.15	105.4	0.350	8.9	0.625	15.9

Continued from page 49 and continued on page 51

Note: All dimensions are in inches and millimeters (inch/mm). For complete dimensions, see the applicable Military Specification. Cable entry is defined as the envelope area of the cable or wire bundle. It is not intended for inspection criteria.

**AS85049/25 Series (continued)**  
**EMI/RFI non-environmental backshell - Aluminum & stainless steel straight**

**Dimensions**

Dash number	Shell size	Style	B <sup>±.125"/ 3.1</sup>		Ø D maxi		F maxi		Cable entry mini		Cable entry maxi	
			inch	mm	inch	mm	inch	mm	inch	mm	inch	mm
131	24	1	4.00	101.6	1.593	40.5	5.15	130.8	0.350	8.9	0.625	15.9
132	36	1	4.00	101.6	2.469	62.7	5.32	135.1	0.500	12.7	0.750	19.1
133	36	1	5.00	127.0	2.469	62.7	6.32	160.5	0.500	12.7	0.750	19.1
134	40	1	4.00	101.6	2.719	69.1	5.16	131.1	0.500	12.7	0.750	19.1
135	40	1	5.00	127.0	2.719	69.1	6.16	156.5	0.500	12.7	0.750	19.1
136	10	1	2.00	50.8	0.734	18.6	3.15	80.0	0.250	6.4	0.375	9.5
137	10	1	3.00	76.2	0.734	18.6	4.15	105.4	0.250	6.4	0.375	9.5
138	12	1	2.00	50.8	0.858	21.8	3.15	80.0	0.350	8.9	0.500	12.7
139	12	1	3.00	76.2	0.858	21.8	4.15	105.4	0.350	8.9	0.500	12.7
140	20	1	3.00	76.2	1.345	34.2	4.27	108.5	0.625	15.9	0.904	23.0
141	20	1	4.00	101.6	1.345	34.2	5.27	133.9	0.625	15.9	0.904	23.0
142	22	1	3.00	76.2	1.468	37.3	4.49	114.0	0.875	22.2	1.029	26.1
143	22	1	4.00	101.6	1.468	37.3	5.49	139.4	0.875	22.2	1.029	26.1
144	24	1	3.00	76.2	1.593	40.5	4.49	114.0	0.875	22.2	1.144	29.1
145	24	1	4.00	101.6	1.593	40.5	5.49	139.4	0.875	22.2	1.144	29.1
146	36	1	4.00	101.6	2.469	62.7	5.93	150.6	1.437	36.5	1.840	46.7
147	36	1	5.00	127.0	2.469	62.7	6.93	176.0	1.437	36.5	1.840	46.7
148	36	1	4.00	101.6	2.469	62.7	5.26	133.6	0.625	15.9	0.937	23.8
149	36	1	5.00	127.0	2.469	62.7	6.26	159.0	0.625	15.9	0.937	23.8
150	14	1	2.00	50.8	0.984	25.0	3.15	80.0	0.125	3.2	0.312	7.9
151	14	1	3.00	76.2	0.984	25.0	4.15	105.4	0.125	3.2	0.312	7.9
152	16	1	2.00	50.8	1.112	28.2	3.15	80.0	0.125	3.2	0.312	7.9
153	16	1	3.00	76.2	1.112	28.2	4.15	105.4	0.125	3.2	0.312	7.9
154	44	1	4.00	101.6	2.969	75.4	5.26	133.6	0.625	15.9	0.937	23.8
155	44	1	5.00	127.0	2.969	75.4	6.26	159.0	0.625	15.9	0.937	23.8
156	40	1	4.00	101.6	2.719	69.1	5.26	133.6	0.625	15.9	0.937	23.8
157	40	1	5.00	127.0	2.719	69.1	6.26	159.0	0.625	15.9	0.937	23.8

Continued from page 47 to 50

Note: All dimensions are in inches and millimeters (inch/mm). For complete dimensions, see the applicable Military Specification. Cable entry is defined as the envelope area of the cable or wire bundle. It is not intended for inspection criteria.

## AS85049/26-1, 26-3 Series EMI/RFI crimp ring backshell - Aluminum straight

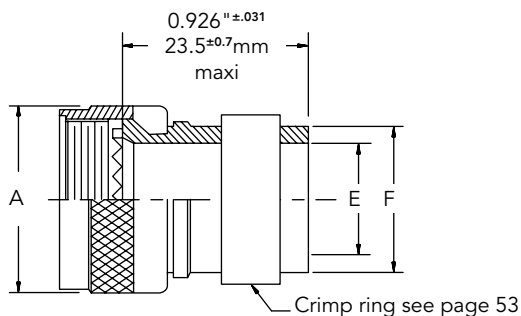
### For connectors:

- AS50151 crimp
- EN2997 & EN3646
- MIL-DTL-26482 Series 2
- MIL-DTL-83723 Series 3

### Ordering information

<b>Basic Series</b>	AS85049/26-	3	12	W
<b>Figure</b>	1: Adapter only 3: Adapter with crimp ring			
<b>Shell size</b>	3, 8, 10, 12, 14, 16, 18, 20, 22, 24, 28, 32, 36, 40, 44, 48, 61			
<b>Material and plating</b>	N: Aluminum, electroless nickel W: Aluminum, olive drab cadmium over electroless nickel, 1000 hours salt spray			

### Dimensions



Shell size	Ø A ±.031" / 0.7		Ø E ±.015" / 0.3		Ø F ±.010" / 0.2	
	inch	mm	inch	mm	inch	mm
3	0.669	17.0	0.250	6.4	0.337	8.6
8	0.617	15.7	0.250	6.4	0.337	8.6
10	0.734	18.6	0.325	8.3	0.488	12.4
12	0.858	21.6	0.420	10.7	0.500	12.7
14	0.984	25.0	0.540	13.7	0.620	15.7
16	1.112	28.2	0.670	17.0	0.750	19.1
18	1.218	30.9	0.789	20.0	0.880	22.4
20	1.345	34.2	0.914	23.2	1.000	25.4
22	1.468	37.3	1.039	26.4	1.120	28.4
24	1.593	40.5	1.112	28.2	1.192	30.3
28	1.969	50.0	1.389	35.3	1.545	39.2
32	2.219	56.4	1.635	41.5	1.795	45.6
36	2.469	62.7	1.850	47.0	2.045	51.9
40	2.719	69.1	2.065	52.5	2.295	58.3
44	2.969	75.4	2.320	58.9	2.545	64.6
48	3.219	81.8	2.570	65.3	2.795	71.0
61	1.653	42.0	1.210	30.7	1.359	34.5

Note: All dimensions are in inches and millimeters (inch/mm). For complete dimensions, see the applicable Military Specification. Cable entry is defined as the envelope area of the cable or wire bundle. It is not intended for inspection criteria.

## AS85049/26-2 Series Crimp ring for EMI/RFI backshell

For backshells:

- AS85049/20                      • AS85049/26-1
- AS85049/33-2

### Ordering information

Basic Series

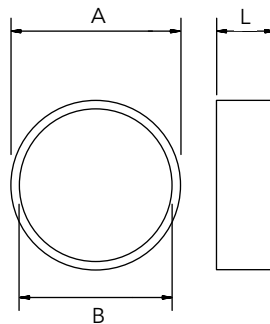
AS85049/26-2

12

Dash number

08, 10, 12, 14, 16, 18, 20, 22, 24, 28, 32, 36, 40, 44, 48, 61

### Dimensions



Dash number	For AS85049/26-1 and AS85049/33-2 shell size	For AS85049/20 shell size	Ø A mini		Ø A maxi		Ø B mini		Ø B maxi		L <sup>±.020"/0.5</sup>	
			inch	mm	inch	mm	inch	mm	inch	mm	inch	mm
08	08	09	0.400	10.2	0.410	10.4	0.448	11.4	0.458	11.6	0.440	11.2
10	10	11	0.585	14.9	0.595	15.1	0.660	16.8	0.680	17.3		
12	12	13	0.585	14.9	0.595	15.1	0.660	16.8	0.680	17.3		
14	14	15	0.705	17.9	0.715	18.2	0.780	19.8	0.800	20.3		
16	16	17	0.835	21.2	0.845	21.5	0.910	23.1	0.930	23.6		
18	18	19	1.005	25.5	1.015	25.8	1.080	27.4	1.100	27.9		
20	20	21	1.125	28.6	1.135	28.8	1.200	30.5	1.220	31.0		
22	22	23	1.245	31.6	1.255	31.9	1.320	33.5	1.340	34.0		
24	24	25	1.327	33.7	1.337	34.0	1.402	35.6	1.422	36.1		
28	28	-	1.665	42.3	1.675	42.5	1.740	44.2	1.760	44.7		
32	32	-	1.915	48.6	1.925	48.9	1.990	50.5	2.010	51.4		
36	36	-	2.165	55.0	2.175	55.2	2.240	56.9	2.260	57.4		
40	40	-	2.415	61.3	2.425	61.6	2.490	63.2	2.510	63.8		
44	44	-	2.665	67.7	2.675	67.9	2.740	69.6	2.760	70.1		
48	48	-	2.915	74.0	2.925	74.3	2.990	75.9	3.010	76.5		
61	61	-	1.435	36.4	1.445	36.7	1.510	38.4	1.530	38.9		

Note: All dimensions are in inches and millimeters (inch/mm). For complete dimensions, see the applicable Military Specification. Cable entry is defined as the envelope area of the cable or wire bundle. It is not intended for inspection criteria.

## AS85049/27 Series Grommet nut - Aluminum, straight

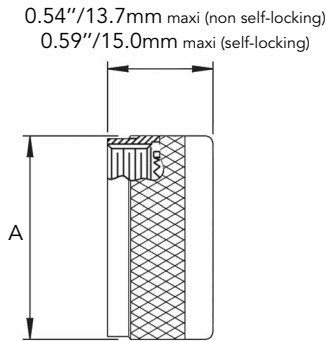
### For connectors:

- MIL-DTL-27599
- MIL-DTL-38999 Series I & II

### Ordering information

<b>Basic Series</b>	<b>AS85049/27</b>										<b>S</b>	<b>10</b>	<b>W</b>																				
<b>Self-locking option</b>																																	
S: Self-locking, detented - utilizes an audible detented anti-decoupling device.																																	
N: Self-locking, non detented - utilizes an internal captivated anti-decoupling device (Self-Seating) with no audible clicking mechanism.																																	
- : Non self-locking																																	
<b>Dash number</b>																																	
08, 10, 12, 14, 16, 18, 20, 22, 24																																	
<table border="1"> <tr> <td>Shell size 38999 I</td> <td>09</td> <td>11</td> <td>13</td> <td>15</td> <td>17</td> <td>19</td> <td>21</td> <td>23</td> <td>25</td> </tr> <tr> <td>= Shell size 38999 II</td> <td>08</td> <td>10</td> <td>12</td> <td>14</td> <td>16</td> <td>18</td> <td>20</td> <td>22</td> <td>24</td> </tr> </table>														Shell size 38999 I	09	11	13	15	17	19	21	23	25	= Shell size 38999 II	08	10	12	14	16	18	20	22	24
Shell size 38999 I	09	11	13	15	17	19	21	23	25																								
= Shell size 38999 II	08	10	12	14	16	18	20	22	24																								
<b>Material and plating</b>																																	
N: Aluminum, electroless nickel																																	
W: Aluminum, olive drab cadmium over electroless nickel, 1000 hours salt spray																																	

### Dimensions



Dash number	Ø A maxi - Self-locking		Ø A maxi - Non Self-locking	
	inch	mm	inch	mm
08	0.859	21.82	0.75	19.10
10	0.984	24.99	0.85	21.60
12	1.156	29.36	1.00	25.40
14	1.281	32.54	1.10	27.90
16	1.406	35.71	1.25	31.80
18	1.516	38.51	1.40	35.60
20	1.641	41.68	1.50	38.10
22	1.766	44.86	1.65	41.90
24	1.891	48.03	1.75	44.50

Note: All dimensions are in inches and millimeters (inch/mm). For complete dimensions, see the applicable Military Specification. Cable entry is defined as the envelope area of the cable or wire bundle. It is not intended for inspection criteria.



# AS85049/29 Series

## Strain relief backshell - Aluminum, straight

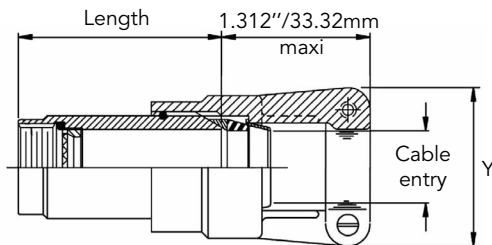
**For connectors:**

- MIL-DTL-27599
- MIL-DTL-38999 Series I & II

### Ordering information

<b>Basic Series</b>											<b>AS85049/29</b>	<b>24</b>	<b>W</b>	<b>10</b>																				
<b>Dash number</b>	<table border="1"> <tr> <td>Shell size 38999 I</td> <td>09</td><td>11</td><td>13</td><td>15</td><td>17</td><td>19</td><td>21</td><td>23</td><td>25</td> </tr> <tr> <td>= Shell size 38999 II</td> <td>08</td><td>10</td><td>12</td><td>14</td><td>16</td><td>18</td><td>20</td><td>22</td><td>24</td> </tr> </table>										Shell size 38999 I	09	11	13	15	17	19	21	23	25	= Shell size 38999 II	08	10	12	14	16	18	20	22	24				
Shell size 38999 I	09	11	13	15	17	19	21	23	25																									
= Shell size 38999 II	08	10	12	14	16	18	20	22	24																									
<b>Material and plating</b>	<p>A: Aluminum, black anodized                  N: Aluminum, electroless nickel                  W: Aluminum, olive drab cadmium over electroless nickel, 1000 hours salt spray</p>																																	
<b>Clamp size</b>	01, 02, 03, 04, 05, 06, 07, 08, 09, 10: See table below																																	
<b>Length code</b>	empty: Standard length - see table below A, B, C: See table below																																	

### Dimensions



#### Length code

Code	Length $\pm 0.32"/0.80$	
	inch	mm
Standard	1.0	25.4
A	2.0	50.8
B	3.0	70.2
C	4.0	101.6

#### Clamp size

Dash number	Clamp size	
	mini	maxi
08	01	02
10	01	03
12	02	04
14	02	05
16	02	06
18	03	07
20	03	08
22	03	09
24	04	10

Clamp size	Y maxi		Cable entry mini		Cable entry maxi	
	inch	mm	inch	mm	inch	mm
01	0.781	19.84	0.062	1.57	0.125	3.18
02	0.969	24.61	0.125	3.18	0.250	6.35
03	1.062	26.97	0.250	6.35	0.375	9.53
04	1.156	29.36	0.312	7.92	0.500	12.70
05	1.250	31.75	0.437	11.10	0.625	15.88
06	1.375	34.93	0.562	14.27	0.750	19.05
07	1.500	38.10	0.687	17.45	0.875	22.23
08	1.625	41.28	0.812	20.62	1.000	25.40
09	1.750	44.45	0.937	23.80	1.125	28.58
10	1.875	47.63	1.062	26.97	1.250	31.75

Note: All dimensions are in inches and millimeters (inch/mm). For complete dimensions, see the applicable Military Specification. Cable entry is defined as the envelope area of the cable or wire bundle. It is not intended for inspection criteria.

## AS85049/31 Series Grommet nut - Aluminum, straight

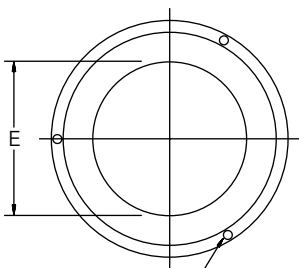
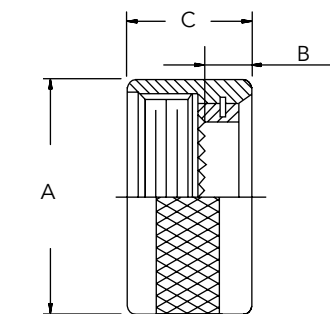
### For connectors :

- AS50151 crimp
- EN2997 & EN3646
- MIL-DTL-26482 Series 2
- MIL-DTL-83723 Series 3

### Ordering information

<b>Basic Series</b>	<b>AS85049/31</b>	<b>S</b>	<b>10</b>	<b>W</b>
<b>Self-locking option</b>				
S: Self-locking, detented - utilizes an audible detented anti-decoupling device.				
N: Non self-locking				
<b>Dash number</b>				
8, 10, 12, 14, 16, 18, 20, 22, 24, 28, 32, 36, 40, 44, 46, 61				
<b>Material and plating</b>				
A: Aluminum, anodized black				
N: Aluminum, electroless nickel				
W: Aluminum, olive drab cadmium over electroless nickel, 1000 hours salt spray				

### Dimensions - Non self-locking version



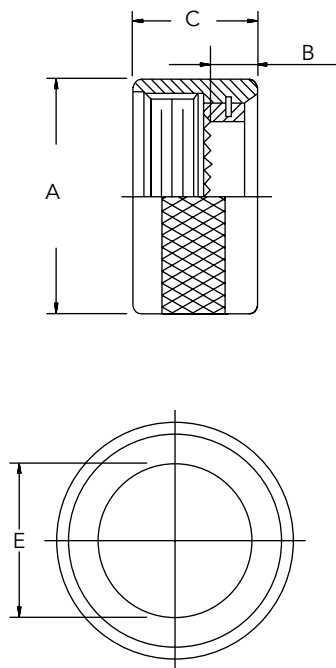
Holes for 0.20" / 0.51mm maxi dia safety wire for devices only (3 equally spaced)

Shell size	Ø A maxi		B maxi		C maxi		Ø E maxi	
	inch	mm	inch	mm	inch	mm	inch	mm
8	0.617	15.67	0.220	5.58	0.540	13.71	0.270	6.85
10	0.734	18.64					0.375	9.52
12	0.858	21.79					0.511	12.97
14	0.984	24.99					0.585	14.85
16	1.112	28.24					0.710	18.03
18	1.218	30.93					0.789	20.04
20	1.345	34.16					0.914	23.21
22	1.468	37.28			1.039	26.39		
24	1.593	40.46			1.154	29.31		
28	1.969	50.01			0.702	17.83	1.389	35.28
32	2.219	56.36					1.635	41.52
36	2.469	62.71					1.850	46.99
40	2.719	69.06					2.065	52.45
44	2.969	75.41					2.320	58.92
48	3.219	81.76	2.570	65.27				
61	1.653	41.98	0.540	13.71			1.194	30.32

Note: All dimensions are in inches and millimeters (inch/mm). For complete dimensions, see the applicable Military Specification. Cable entry is defined as the envelope area of the cable or wire bundle. It is not intended for inspection criteria.

**AS85049/31 Series (continued)**  
**Grommet nut - Aluminum, straight**

**Dimensions - Self-locking version**



Shell size	Ø A maxi		B maxi		C maxi		Ø E maxi	
	inch	mm	inch	mm	inch	mm	inch	mm
8	0.885	22.47	0.39	9.90	0.710	13.71	0.270	6.85
10	1.010	25.65					0.375	9.52
12	1.135	28.82					0.511	12.97
14	1.260	32.00					0.585	14.85
16	1.385	35.17					0.710	18.03
18	1.510	38.35					0.784	20.04
20	1.635	41.52					0.914	23.21
22	1.760	44.70					1.039	26.39
24	1.885	47.87					1.154	29.31
28	2.135	54.22					0.41	10.41
32	2.395	60.83	1.635	41.52				
36	2.635	66.92	1.850	46.99				
40	2.885	73.27	2.065	52.45				
44	3.135	79.62	2.320	58.92				
48	3.385	85.97	2.570	65.27				

Note: All dimensions are in inches and millimeters (inch/mm). For complete dimensions, see the applicable Military Specification. Cable entry is defined as the envelope area of the cable or wire bundle. It is not intended for inspection criteria.

## AS85049/33-2 Series EMI/RFI crimp ring backshell - Aluminum straight

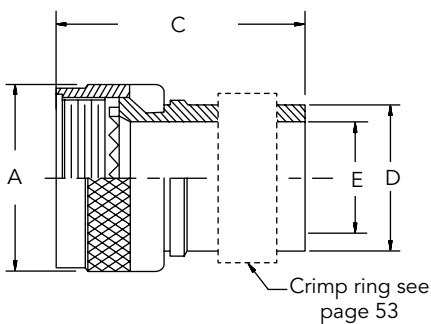
### For connectors:

- MIL-DTL-27599
- MIL-DTL-38999 Series I & II

### Ordering information

Basic Series		AS85049/33-2										10	W
Dash number		Shell size 38999 I											
08, 10, 12, 14, 16, 18, 20, 22, 24		09	11	13	15	17	19	21	23	25			
		= Shell size 38999 II											
		08	10	12	14	16	18	20	22	24			
Material and plating													
N: Aluminum, electroless nickel													
W: Aluminum, olive drab cadmium over electroless nickel, 1000 hours salt spray													

### Dimensions



Dash number	Ø A maxi		C maxi		Ø D maxi		Ø E maxi	
	inch	mm	inch	mm	inch	mm	inch	mm
08	0.75	19.05	0.516	13.11	0.337	8.56	0.250	6.35
10	0.85	21.59	0.641	16.28	0.488	12.40	0.325	8.26
12	1.00	25.40	0.766	19.46	0.500	12.70	0.420	10.67
14	1.10	27.94	0.891	22.63	0.620	15.75	0.540	13.72
16	1.25	31.75	1.016	25.81	0.750	19.05	0.670	17.02
18	1.40	35.56	1.141	28.98	0.880	22.35	0.789	20.04
20	1.50	38.10	1.265	32.13	1.000	25.40	0.914	23.22
22	1.65	41.91	1.391	35.33	1.120	28.45	1.039	26.39
24	1.75	44.45	1.516	38.51	1.192	30.28	1.112	28.24

Note: All dimensions are in inches and millimeters (inch/mm). For complete dimensions, see the applicable Military Specification. Cable entry is defined as the envelope area of the cable or wire bundle. It is not intended for inspection criteria.

# AS85049/36 Series

## EMI/RFI non-environmental backshell - Aluminum straight

**For connectors:**

- MIL-DTL-27599
- MIL-DTL-38999 Series I & II

**Ordering information**

<b>Basic Series</b>											<b>AS85049/36</b>	<b>24</b>	<b>W</b>	<b>10</b>																				
<b>Shell size</b>	<table border="1"> <tr> <td>Shell size 38999 I</td> <td>09</td><td>11</td><td>13</td><td>15</td><td>17</td><td>19</td><td>21</td><td>23</td><td>25</td> </tr> <tr> <td>= Shell size 38999 II</td> <td>08</td><td>10</td><td>12</td><td>14</td><td>16</td><td>18</td><td>20</td><td>22</td><td>24</td> </tr> </table>										Shell size 38999 I	09	11	13	15	17	19	21	23	25	= Shell size 38999 II	08	10	12	14	16	18	20	22	24				
Shell size 38999 I	09	11	13	15	17	19	21	23	25																									
= Shell size 38999 II	08	10	12	14	16	18	20	22	24																									
<b>Material and plating</b>	<p><b>N:</b> Aluminum, electroless nickel  <b>W:</b> Aluminum, olive drab cadmium over electroless nickel, 1000 hours salt spray</p>																																	
<b>Clamp size</b>	01, 02, 03, 04, 05, 06, 07, 08, 09, 10: See table below																																	
<b>Length code</b>	<p><b>empty:</b> Standard length - see table below  <b>A, B, C:</b> See table below</p>																																	

### Dimensions



**Length code**

Code	Length $\pm 0.032"/0.80$	
	inch	mm
Standard	1.5	38.1
A	2.5	63.5
B	3.5	88.9
C	4.5	114.3

**Clamp size**

Shell size	Clamp size	
	mini	maxi
08	01	02
10	01	03
12	02	04
14	02	05
16	02	06
18	03	07
20	03	08
22	03	09
24	04	10

Clamp size	Y maxi		Cable entry mini		Cable entry maxi	
	inch	mm	inch	mm	inch	mm
01	0.781	19.84	0.062	1.57	0.125	3.18
02	0.969	24.61	0.125	3.18	0.250	6.35
03	1.062	26.97	0.250	6.35	0.375	9.53
04	1.156	29.36	0.312	7.92	0.500	12.70
05	1.250	31.75	0.437	11.10	0.625	15.88
06	1.375	34.93	0.562	14.27	0.750	19.05
07	1.500	38.10	0.687	17.45	0.875	22.23
08	1.625	41.28	0.812	20.62	1.000	25.40
09	1.750	44.45	0.937	23.80	1.125	28.58
10	1.875	47.63	1.062	26.97	1.250	31.75

Note: All dimensions are in inches and millimeters (inch/mm). For complete dimensions, see the applicable Military Specification. Cable entry is defined as the envelope area of the cable or wire bundle. It is not intended for inspection criteria.

# AS85049/37 Series

## EMI/RFI non-environmental split backshell - Aluminum 90°

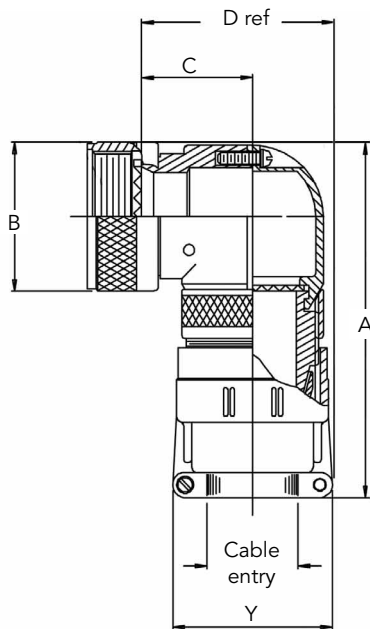
**For connectors:**

- MIL-DTL-27599
- MIL-DTL-38999 Series I & II

**Ordering information**

Basic Series		AS85049/37										24		W		05		L																					
Shell size		<table border="1"> <tr> <td>Shell size 38999 I</td> <td>09</td><td>11</td><td>13</td><td>15</td><td>17</td><td>19</td><td>21</td><td>23</td><td>25</td> </tr> <tr> <td>= Shell size 38999 II</td> <td>08</td><td>10</td><td>12</td><td>14</td><td>16</td><td>18</td><td>20</td><td>22</td><td>24</td> </tr> </table>										Shell size 38999 I	09	11	13	15	17	19	21	23	25	= Shell size 38999 II	08	10	12	14	16	18	20	22	24								
Shell size 38999 I	09	11	13	15	17	19	21	23	25																														
= Shell size 38999 II	08	10	12	14	16	18	20	22	24																														
Material and plating		<p>N: Aluminum, electroless nickel</p> <p>W: Aluminum, olive drab cadmium over electroless nickel, 1000 hours salt spray</p>																																					
Clamp size		01, 02, 03, 04, 05, 06, 07, 08, 09 - See table below																																					
Hole		<p>L: Encapsulating hole</p> <p>D: 3 drain holes</p>																																					

### Dimensions



Dash number	Clamp size		A maxi		Ø B maxi		C maxi		D reference	
	mini	maxi	inch	mm	inch	mm	inch	mm	inch	mm
08	01	02	2.88	73.15	0.750	19.05	0.720	18.29	1.21	30.73
10	01	03	2.92	74.17	0.850	21.59	0.720	18.29	1.25	31.75
12	02	04	3.06	77.72	1.000	25.40	0.800	20.32	1.36	34.54
14	02	05	3.24	82.30	1.100	27.94	0.850	21.59	1.47	37.33
16	02	06	3.44	87.38	1.250	31.75	0.910	23.11	1.60	40.64
18	03	06	3.73	94.74	1.400	35.56	1.000	25.40	1.75	44.44
20	03	07	3.94	100.08	1.500	38.10	1.050	26.67	1.82	46.22
22	03	08	4.14	105.16	1.650	41.91	1.100	27.94	1.97	50.03
24	04	09	4.19	106.43	1.750	44.45	1.200	30.48	2.15	54.60

Clamp size	Y maxi		Cable entry mini		Cable entry maxi	
	inch	mm	inch	mm	inch	mm
01	0.781	19.84	0.062	1.57	0.125	3.18
02	0.969	24.61	0.125	3.18	0.250	6.35
03	1.062	26.97	0.250	6.35	0.375	9.53
04	1.156	29.36	0.312	7.92	0.500	12.70
05	1.250	31.75	0.437	11.10	0.625	15.88
06	1.375	34.93	0.562	14.27	0.750	19.05
07	1.500	38.10	0.687	17.45	0.875	22.23
08	1.625	41.28	0.812	20.62	1.000	25.40
09	1.750	44.45	0.937	23.80	1.125	28.58

Note: All dimensions are in inches and millimeters (inch/mm). For complete dimensions, see the applicable Military Specification. Cable entry is defined as the envelope area of the cable or wire bundle. It is not intended for inspection criteria.

## AS85049/38 Series Cable clamp strain relief - Aluminum straight

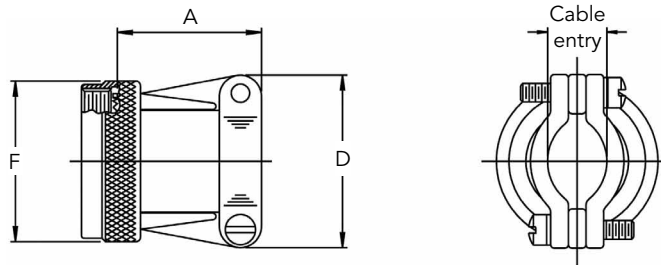
### For connectors:

- MIL-DTL-38999 Series III & IV
- EN3645

### Ordering information

<b>Basic Series</b>	AS85049/38	S	11	N
<b>Self-locking option</b>				
S: Self-locking, detented - utilizes an audible detented anti-decoupling device.				
N: Self-locking, non detented - utilizes an internal captivated anti-decoupling device (self-seating) with no audible clicking mechanism.				
- : Non self-locking				
<b>Shell size</b>				
9, 11, 13, 15, 16, 17, 19, 21, 23, 25				
<b>Material and plating</b>				
A: Aluminum, black anodize				
N: Aluminum, electroless nickel				
S: Stainless steel, passivated				
W: Aluminum, olive drab cadmium over electroless nickel, 500 hours salt spray				

### Dimensions



Shell size	A maxi		D maxi		Ø F maxi		Cable entry mini		Cable entry maxi	
	inch	mm	inch	mm	inch	mm	inch	mm	inch	mm
9	0.91	23.11	0.85	21.60	0.858	21.79	0.098	2.49	0.234	5.94
11	0.91	23.11	0.90	22.90	0.984	24.99	0.153	3.89	0.234	5.94
13	1.01	25.65	1.10	27.90	1.157	29.39	0.19	4.83	0.328	8.33
15	1.06	26.92	1.15	29.20	1.279	32.49	0.26	6.60	0.457	11.61
17	1.16	29.46	1.30	33.00	1.406	35.71	0.283	7.19	0.614	15.60
19	1.41	35.81	1.50	38.10	1.516	38.51	0.325	8.26	0.634	16.10
21	1.51	38.35	1.60	40.60	1.642	41.71	0.343	8.71	0.698	17.73
23	1.66	42.16	1.70	43.20	1.768	44.91	0.381	9.68	0.823	20.90
25	1.76	44.70	1.80	45.70	1.889	47.98	0.418	10.62	0.853	21.67

Note: All dimensions are in inches and millimeters (inch/mm). For complete dimensions, see the applicable Military Specification. Cable entry is defined as the envelope area of the cable or wire bundle. It is not intended for inspection criteria.

## AS85049/39 Series Cable clamp strain relief - Aluminum 90°

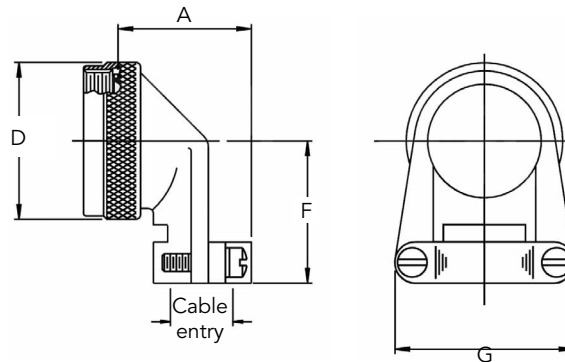
### For connectors:

- MIL-DTL-38999 Series III & IV
- EN3645

### Ordering information

<b>Basic Series</b>	<b>AS85049/39</b>	<b>S</b>	<b>11</b>	<b>N</b>
<b>Self-locking option</b>				
S: Self-locking, detented - utilizes an audible detented anti-decoupling device.				
N: Self-locking, non detented - utilizes an internal captivated anti-decoupling device (self-seating) with no audible clicking mechanism.				
- : Non self-locking				
<b>Shell size</b>				
9, 11, 13, 15, 16, 17, 19, 21, 23, 25				
<b>Material and plating</b>				
A: Aluminum, black anodize				
N: Aluminum, electroless nickel				
S: Stainless steel, passivated				
W: Aluminum, olive drab cadmium over electroless nickel, 500 hours salt spray				

### Dimensions



Shell size	A maxi		Ø D maxi		F maxi		G maxi		Cable entry mini		Cable entry maxi	
	inch	mm	inch	mm	inch	mm	inch	mm	inch	mm	inch	mm
9	1.01	25.7	0.858	21.79	1.00	25.4	0.85	21.6	0.098	2.49	0.234	5.94
11	1.01	25.7	0.984	24.99	1.10	27.9	0.90	22.9	0.153	3.89	0.234	5.94
13	1.21	30.7	1.157	29.39	1.10	27.9	1.10	27.9	0.190	4.83	0.328	8.33
15	1.26	32.0	1.279	32.49	1.25	31.8	1.15	29.2	0.260	6.60	0.457	11.61
17	1.41	35.81	1.406	35.71	1.30	33.0	1.30	33.0	0.283	7.19	0.614	15.60
19	1.51	38.4	1.516	38.51	1.35	34.3	1.50	38.1	0.325	8.26	0.634	16.10
21	1.66	42.2	1.642	41.71	1.60	40.6	1.60	40.6	0.343	8.71	0.698	17.73
23	1.76	44.7	1.768	44.91	1.75	44.5	1.70	43.2	0.381	9.68	0.823	20.90
25	2.91	73.9	1.889	47.98	1.85	47.0	1.80	45.7	0.418	10.62	0.853	21.67

Note: All dimensions are in inches and millimeters (inch/mm). For complete dimensions, see the applicable Military Specification. Cable entry is defined as the envelope area of the cable or wire bundle. It is not intended for inspection criteria.



## AS85049/42 Series Cable clamp strain relief - Aluminum straight

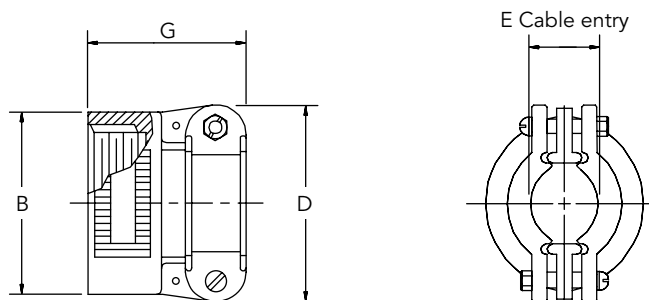
For connectors :

- AS50151 solder

### Ordering information

Basic Series	AS85049/42	10D	W
Dash number	4D, 6D, 8D, 10D, 12D, 16D, 20D, 24D, 28D, 32D		
Material and plating	N: Aluminum, electroless nickel W: Aluminum, olive drab cadmium over electroless nickel, 1000 hours salt spray		

### Dimensions



Shell size	B maxi		D $\pm 0.020/0.50$		E Cable entry mini		E Cable entry maxi		G $\pm 0.020/0.50$	
	inch	mm	inch	mm	inch	mm	inch	mm	inch	mm
4D	0.937	23.8	0.937	23.8	0.125	3.2	0.312	7.9	1.281	32.5
6D	1.031	26.2	1.125	28.6	0.250	6.4	0.437	11.1	1.281	32.5
8D	1.250	31.8	1.312	33.3	0.312	7.9	0.562	14.3	1.281	32.5
10D	1.250	31.8	1.312	33.3	0.350	8.9	0.625	15.9	1.281	32.5
12D	1.437	36.5	1.531	38.9	0.500	12.7	0.750	19.1	1.312	33.3
16D	1.688	42.9	1.750	44.5	0.625	15.9	0.937	23.8	1.406	35.7
20D	2.000	50.8	2.093	53.2	0.875	22.2	1.250	31.8	1.593	40.4
24D	2.250	57.2	2.343	59.5	1.000	25.4	1.375	34.9	1.625	41.3
28D	2.500	63.5	2.750	69.9	1.250	31.8	1.625	41.3	1.900	48.3
32D	2.750	69.9	3.000	76.2	1.437	36.5	1.875	47.6	1.900	48.3

Note: All dimensions are in inches and millimeters (inch/mm). For complete dimensions, see the applicable Military Specification. Cable entry is defined as the envelope area of the cable or wire bundle. It is not intended for inspection criteria.

## AS85049/43 Series Cable clamp strain relief - Aluminum 45°

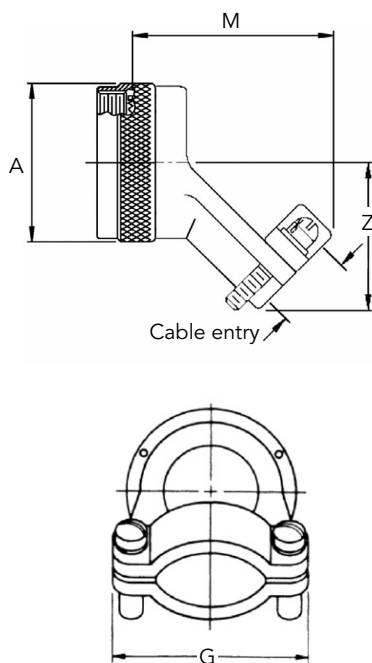
**For connectors :**

- AS50151 solder
- EN2997 & EN3646
- MIL-DTL-26482 Series 2
- MIL-DTL-83723 Series 3

### Ordering information

<b>Basic Series</b>	AS85049/43	-	10	N
<b>Self-locking option</b>				
- : Non self-locking				
<b>Shell size</b>				
8, 10, 12, 14, 16, 18, 20, 22, 24, 28, 32, 36, 40, 44, 48				
<b>Material and plating</b>				
N: Aluminum, electroless nickel				
W: Aluminum, olive drab cadmium over electroless nickel, 1000 hours salt spray				

### Dimensions



Shell size	Ø A maxi		Gmaxi		M maxi		Z maxi		Cable entry mini		Cable entry maxi	
	inch	mm	inch	mm	inch	mm	inch	mm	inch	mm	inch	mm
8	0.617	15.67	0.782	19.86	1.650	41.91	0.772	19.61	0.125	3.20	0.204	5.20
10	0.734	18.64	0.862	21.89	1.694	43.03	0.803	20.40	0.187	4.70	0.286	7.30
12	0.858	21.79	1.018	25.86	1.768	44.91	0.866	21.00	0.291	7.40	0.416	10.60
14	0.984	24.99	1.076	27.33	1.840	46.74	0.928	23.57	0.351	8.90	0.476	12.10
16	1.112	28.24	1.349	34.26	1.916	48.67	0.991	25.17	0.501	12.70	0.625	15.90
18	1.218	30.93	1.481	37.62	2.034	51.66	1.110	28.19	0.518	13.20	0.706	17.90
20	1.345	34.16	1.587	40.31	2.078	52.78	1.172	29.77	0.581	14.80	0.831	21.10
22	1.468	37.28	1.688	42.88	2.122	53.90	1.235	31.37	0.644	16.40	0.956	24.30
24	1.593	40.46	1.805	45.85	2.166	55.02	1.297	32.94	0.706	17.90	1.081	27.50
28	1.969	50.01	2.050	52.07	2.461	62.51	1.543	39.19	0.750	19.10	1.187	30.10
32	2.219	56.36	2.416	61.37	2.549	64.75	1.668	42.37	0.875	22.20	1.250	31.80
36	2.469	62.71	2.526	64.16	2.595	65.91	1.793	45.54	0.938	23.80	1.375	34.90
40	2.719	69.06	2.596	65.94	2.599	66.01	1.918	48.72	0.938	23.80	1.500	38.10
44	2.969	75.41	2.890	73.41	2.860	72.64	2.132	54.15	1.188	30.20	1.750	44.50
48	3.219	81.76	3.374	85.70	2.918	74.12	2.257	57.33	1.312	33.30	1.875	47.60

Note: All dimensions are in inches and millimeters (inch/mm). For complete dimensions, see the applicable Military Specification. Cable entry is defined as the envelope area of the cable or wire bundle. It is not intended for inspection criteria.

# AS85049/45 Series

## Strain relief - Flexible plastic body - Straight

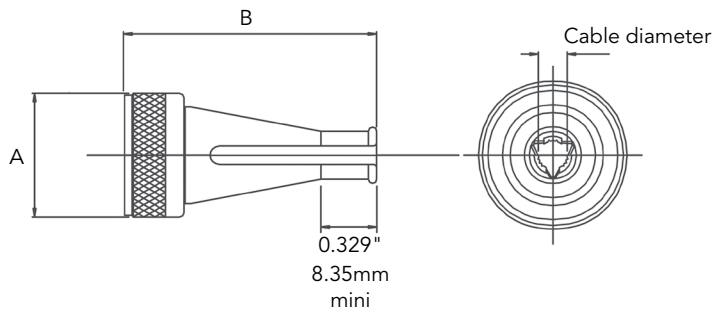
**For connectors:**

- MIL-DTL-38999 Series I & II
- MIL-DTL-27599

### Ordering information

<b>Basic Series</b>		<b>AS85049/45</b>		<b>W</b>	<b>10</b>						
<b>Material and plating</b>											
A: Aluminum, black anodize											
W: Aluminum, olive drab cadmium over electroless nickel, 1000 hours salt spray											
<b>Dash number</b>											
08, 10, 12, 14, 16, 18, 20, 22, 24		Shell size 38999 I	09	11	13	15	17	19	21	23	25
		= Shell size 38999 II	08	10	12	14	16	18	20	22	24

### Dimensions



Dash number	Ø A maxi		B maxi		Cable diameter mini		Cable diameter maxi	
	inch	mm	inch	mm	inch	mm	inch	mm
08	0.578	14.68	1.344	34.14	0.094	2.39	0.203	5.16
10	0.703	17.86			0.141	3.58	0.250	6.35
12	0.828	21.03			0.172	4.37	0.323	8.20
14	0.953	24.21			0.203	5.16	0.422	10.72
16	1.078	27.38			0.234	5.94	0.500	12.70
18	1.203	30.56			0.265	6.73	0.562	14.27
20	1.328	33.73	1.422	36.12	0.297	7.54	0.625	15.88
22	1.453	36.91			0.328	8.33	0.703	17.86
24	1.578	40.08			0.359	9.12	0.765	19.43

Note: All dimensions are in inches and millimeters (inch/mm). For complete dimensions, see the applicable Military Specification. Cable entry is defined as the envelope area of the cable or wire bundle. It is not intended for inspection criteria.

## AS85049/46 Series Strain relief - Flexible plastic body - 90°

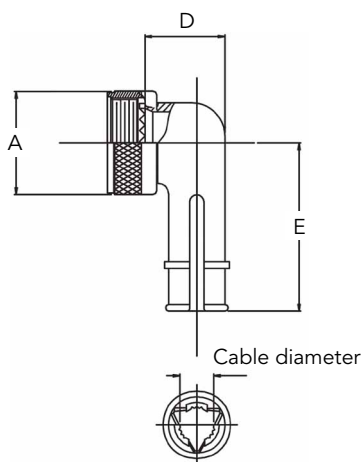
### For connectors:

- MIL-DTL-38999 Series I & II
- MIL-DTL-27599

### Ordering information

<b>Basic Series</b>											<b>AS85049/46</b>	<b>W</b>	<b>10</b>
<b>Material and plating</b>													
A: Aluminum, black anodize													
W: Aluminum, olive drab cadmium over electroless nickel, 1000 hours salt spray													
<b>Dash number</b>													
08, 10, 12, 14, 16, 18, 20, 22, 24	Shell size 8T	09	11	13	15	17	19	21	23	25			
	= Shell size 8LT	08	10	12	14	16	18	20	22	24			

## Dimensions



Dash number	Ø A maxi		D maxi		E maxi		Cable diameter mini		Cable diameter maxi	
	inch	mm	inch	mm	inch	mm	inch	mm	inch	mm
08	0.578	14.68	0.656	16.66	1.015	25.78	0.094	2.39	0.203	5.16
10	0.703	17.86	0.688	17.48	1.062	26.97	0.141	3.58	0.250	6.35
12	0.828	21.03	0.750	19.05	1.125	28.58	0.172	4.37	0.323	8.20
14	0.953	24.21	0.859	21.82	1.328	33.73	0.203	5.16	0.422	10.72
16	1.078	27.38	0.937	23.80	1.392	35.36	0.234	5.94	0.500	12.70
18	1.203	30.56	1.000	25.40	1.453	36.91	0.265	6.73	0.562	14.27
20	1.328	33.73	1.062	26.97	1.609	40.87	0.297	7.54	0.625	15.88
22	1.453	36.91	1.141	28.98	1.656	42.06	0.328	8.33	0.703	17.86
24	1.578	40.08	1.203	30.56	1.719	43.66	0.359	9.12	0.765	19.43

Note: All dimensions are in inches and millimeters (inch/mm). For complete dimensions, see the applicable Military Specification. Cable entry is defined as the envelope area of the cable or wire bundle. It is not intended for inspection criteria.

## AS85049/47 Series Cable clamp strain relief - Aluminum 90°

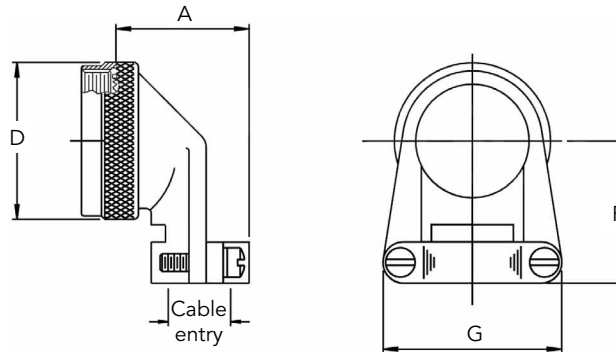
### For connectors:

- MIL-DTL-27599
- MIL-DTL-38999 Series I & II

### Ordering information

<b>Basic Series</b>	<b>AS85049/47</b>										<b>S</b>	<b>W</b>	<b>10</b>																				
<b>Self-locking option</b>																																	
S: Self-locking, detented - utilizes an audible detented anti-decoupling device.																																	
N: Self-locking, non detented - utilizes an internal captivated anti-decoupling device (self-seating) with no audible clicking mechanism.																																	
- : Non self-locking																																	
<b>Material and plating</b>																																	
N: Aluminum, electroless nickel																																	
W: Aluminum, olive drab cadmium over electroless nickel, 1000 hours salt spray																																	
<b>Dash number</b>																																	
08, 10, 12, 14, 16, 18, 20, 22, 24																																	
<table border="1"> <tr> <td>Shell size 38999 I</td> <td>09</td> <td>11</td> <td>13</td> <td>15</td> <td>17</td> <td>19</td> <td>21</td> <td>23</td> <td>25</td> </tr> <tr> <td>= Shell size 38999 II</td> <td>08</td> <td>10</td> <td>12</td> <td>14</td> <td>16</td> <td>18</td> <td>20</td> <td>22</td> <td>24</td> </tr> </table>														Shell size 38999 I	09	11	13	15	17	19	21	23	25	= Shell size 38999 II	08	10	12	14	16	18	20	22	24
Shell size 38999 I	09	11	13	15	17	19	21	23	25																								
= Shell size 38999 II	08	10	12	14	16	18	20	22	24																								

### Dimensions



Dash number	A maxi		Ø D maxi		F maxi		G maxi		Cable entry mini		Cable entry maxi	
	inch	mm	inch	mm	inch	mm	inch	mm	inch	mm	inch	mm
08	1.16	29.5	0.86	21.8	1.00	25.4	0.85	21.6	0.098	2.49	0.234	5.94
10	1.16	29.5	0.98	24.9	1.10	27.9	0.90	22.9	0.153	3.89	0.234	5.94
12	1.24	31.5	1.16	29.5	1.10	27.9	1.10	27.9	0.190	4.83	0.328	8.33
14	1.41	35.8	1.28	32.5	1.25	31.8	1.15	29.2	0.260	6.60	0.457	11.61
16	1.58	40.1	1.41	35.8	1.30	33.0	1.30	33.0	0.283	7.19	0.614	15.60
18	1.60	40.6	1.52	38.6	1.35	34.3	1.50	38.1	0.325	8.26	0.634	16.10
20	1.68	42.7	1.64	41.7	1.60	40.60	1.60	40.6	0.343	8.71	0.698	17.73
22	1.82	46.2	1.77	45.0	1.75	44.5	1.70	43.2	0.381	9.68	0.823	20.90
24	1.93	49.0	1.89	48.0	1.85	47.0	1.80	45.7	0.418	10.62	0.853	21.67

Note: All dimensions are in inches and millimeters (inch/mm). For complete dimensions, see the applicable Military Specification. Cable entry is defined as the envelope area of the cable or wire bundle. It is not intended for inspection criteria.

## AS85049/49-2 Series Cable clamp strain relief - Aluminum straight

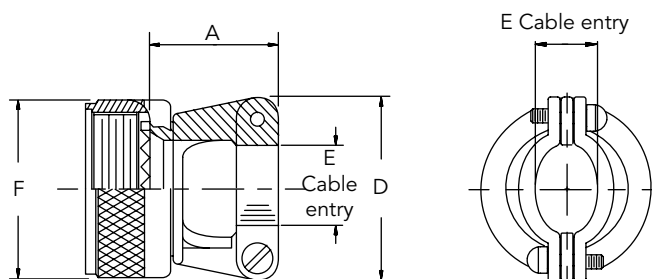
### For connectors:

- MIL-DTL-27599
- MIL-DTL-38999 Series I & II

### Ordering information

<b>Basic Series</b>	<b>AS85049/49-2</b>										<b>S</b>	<b>10</b>	<b>N</b>																				
<b>Self-locking option</b>																																	
S: Self-locking, detented - utilizes an audible detented anti-decoupling device.																																	
N: Self-locking, non detented - utilizes an internal captivated anti-decoupling device (self-seating) with no audible clicking mechanism.																																	
- : Non self-locking																																	
<b>Shell size</b>																																	
8, 10, 12, 14, 16, 18, 20, 22, 24																																	
<table border="1"> <tr> <td>Shell size 38999 I</td> <td>09</td> <td>11</td> <td>13</td> <td>15</td> <td>17</td> <td>19</td> <td>21</td> <td>23</td> <td>25</td> </tr> <tr> <td>= Shell size 38999 II</td> <td>08</td> <td>10</td> <td>12</td> <td>14</td> <td>16</td> <td>18</td> <td>20</td> <td>22</td> <td>24</td> </tr> </table>														Shell size 38999 I	09	11	13	15	17	19	21	23	25	= Shell size 38999 II	08	10	12	14	16	18	20	22	24
Shell size 38999 I	09	11	13	15	17	19	21	23	25																								
= Shell size 38999 II	08	10	12	14	16	18	20	22	24																								
<b>Material and plating</b>																																	
A: Aluminum, black anodize																																	
N: Aluminum, electroless nickel																																	
S: Stainless steel, passivated																																	
W: Aluminum, olive drab cadmium over electroless nickel, 1000 hours salt spray																																	

### Dimensions



Shell size	A maxi		D maxi		E Cable entry mini		E Cable entry maxi		Ø F maxi	
	inch	mm	inch	mm	inch	mm	inch	mm	inch	mm
8	0.91	23.1	0.85	21.6	0.098	2.49	0.234	5.94	0.86	21.8
10	0.91	23.1	0.91	23.1	0.153	3.89	0.234	5.94	0.98	24.9
12	1.01	25.7	1.10	27.9	0.190	4.83	0.328	8.33	1.16	29.5
14	1.06	26.9	1.15	29.2	0.260	6.60	0.457	11.61	1.28	32.5
16	1.16	29.5	1.30	33.0	0.283	7.19	0.614	15.60	1.41	35.8
18	1.41	35.8	1.50	38.1	0.325	8.26	0.634	16.10	1.52	38.6
20	1.51	38.4	1.60	40.6	0.343	8.71	0.698	17.73	1.64	41.7
22	1.66	42.2	1.70	43.2	0.381	9.68	0.823	20.90	1.77	45.0
24	1.76	44.7	1.80	45.7	0.418	10.62	0.853	21.67	1.89	48.0

Note: All dimensions are in inches and millimeters (inch/mm). For complete dimensions, see the applicable Military Specification. Cable entry is defined as the envelope area of the cable or wire bundle. It is not intended for inspection criteria.

## AS85049/51 Series Cable clamp strain relief - Aluminum 90°

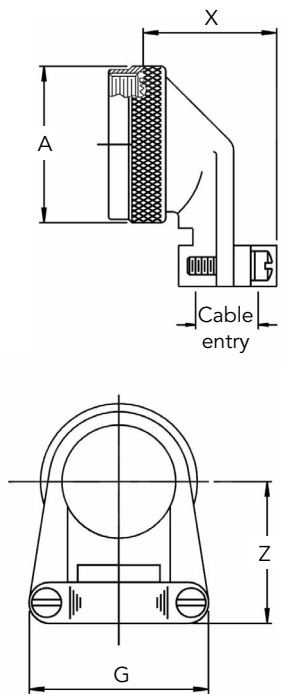
### For connectors:

- AS50151 solder
- EN2997 & EN3646
- MIL-DTL-26482 Series 2
- MIL-DTL-83723 Series 3

### Ordering information

<b>Basic Series</b>	<b>AS85049/51</b>	<b>S</b>	<b>10</b>	<b>N</b>
<b>Self-locking option</b>				
S: Self-locking, detented - utilizes an audible detented anti-decoupling device.				
N: Self-locking, non detented - utilizes an internal captivated anti-decoupling device (self-seating) with no audible clicking mechanism.				
-1: Non self-locking				
<b>Dash number</b>				
8, 10, 12, 14, 16, 18, 20, 22, 21, 28, 32, 36, 40, 44, 48				
<b>Material and plating</b>				
A: Aluminum, black anodize				
N: Aluminum, electroless nickel				
W: Aluminum, olive drab cadmium over electroless nickel, 1000 hours salt spray				

### Dimensions - Non-self locking version



Dash num.	Ø A maxi		G maxi		X maxi		Z $\pm 0.062/1.57$		Cable entry mini		Cable entry maxi	
	inch	mm	inch	mm	inch	mm	inch	mm	inch	mm	inch	mm
8	0.617	15.6	0.782	19.9	0.78	19.8	0.746	18.9	0.125	3.2	0.204	5.2
10	0.734	18.6	0.862	21.9	0.86	21.8	0.805	20.4	0.187	4.7	0.286	7.3
12	0.858	21.7	1.003	25.5	1.05	26.6	0.867	22.0	0.291	7.4	0.416	10.6
14	0.984	24.9	1.061	26.9	1.11	28.1	0.930	23.6	0.351	8.9	0.476	12.1
16	1.112	28.2	1.334	33.9	1.26	32.0	0.994	25.2	0.501	12.7	0.626	15.9
18	1.218	30.9	1.466	37.2	1.37	34.7	1.171	29.7	0.518	13.2	0.706	17.9
20	1.345	34.1	1.572	39.9	1.50	38.0	1.234	31.2	0.581	14.8	0.831	21.1
22	1.468	37.2	1.688	42.9	1.62	41.1	1.296	32.9	0.644	16.4	0.956	24.3
24	1.593	40.4	1.790	45.5	1.75	44.4	1.358	34.5	0.706	17.9	0.081	27.5
28	1.969	50.0	2.035	51.7	1.89	48.0	1.572	39.9	0.750	19.1	1.187	30.1
32	2.219	56.3	2.386	60.6	1.95	49.5	1.797	45.6	0.875	22.2	1.250	31.8
36	2.469	62.7	2.496	63.4	2.07	52.5	1.922	48.8	0.938	23.8	1.375	34.9
40	2.719	69.0	2.566	65.2	2.20	55.8	2.047	52.0	0.938	23.8	1.500	38.1
44	2.969	75.4	2.860	72.6	2.45	62.2	2.296	58.3	1.188	30.2	1.750	44.5
48	3.219	81.7	3.344	84.9	2.57	65.2	2.421	61.5	1.312	33.3	1.875	47.6

Note: All dimensions are in inches and millimeters (inch/mm). For complete dimensions, see the applicable Military Specification. Cable entry is defined as the envelope area of the cable or wire bundle. It is not intended for inspection criteria.

**AS85049/51 Series (continued)**  
**Cable clamp strain relief - Aluminum 90°**

**Dimensions - Self-locking version**



Dash num.	Ø A maxi		G maxi		X maxi		Z $\pm 0.062/1.57$		Cable entry mini		Cable entry maxi	
	inch	mm	inch	mm	inch	mm	inch	mm	inch	mm	inch	mm
8	0.885	22.5	0.782	19.9	0.93	23.6	0.746	18.9	0.125	3.2	0.204	5.2
10	1.010	25.7	0.862	21.9	1.02	25.9	0.805	20.4	0.187	4.7	0.286	7.3
12	1.135	28.8	1.003	25.5	1.21	30.7	0.867	22.0	0.291	7.4	0.416	10.6
14	1.260	32.0	1.061	26.9	1.27	32.2	0.930	23.6	0.351	8.9	0.476	12.1
16	1.385	35.2	1.334	33.9	1.42	36.0	0.994	25.2	0.501	12.7	0.626	15.9
18	1.510	38.4	1.466	37.2	1.53	38.8	1.171	29.7	0.518	13.2	0.706	17.9
20	1.635	41.5	1.572	39.9	1.65	41.9	1.234	31.2	0.581	14.8	0.831	21.1
22	1.760	44.7	1.688	42.9	1.78	45.2	1.296	32.9	0.644	16.4	0.956	24.3
24	1.885	47.9	1.790	45.5	1.90	48.2	1.358	34.5	0.706	17.9	0.081	27.5
28	2.135	54.2	2.035	51.7	2.20	55.8	1.572	39.9	0.750	19.1	1.187	30.1
32	2.395	60.8	2.386	60.6	2.27	57.6	1.797	45.6	0.875	22.2	1.250	31.8
36	2.635	66.9	2.496	63.4	2.39	60.7	1.922	48.8	0.938	23.8	1.375	34.9
40	2.885	73.3	2.566	65.2	2.52	64.0	2.047	52.0	0.938	23.8	1.500	38.1
44	3.135	79.6	2.860	72.6	2.77	70.3	2.296	58.3	1.188	30.2	1.750	44.5
48	3.385	86.0	3.344	84.9	2.89	73.4	2.421	61.5	1.312	33.3	1.875	47.6

Note: All dimensions are in inches and millimeters (inch/mm). For complete dimensions, see the applicable Military Specification. Cable entry is defined as the envelope area of the cable or wire bundle. It is not intended for inspection criteria.



## AS85049/52 Series Cable clamp strain relief - Aluminum straight

**For connectors:**

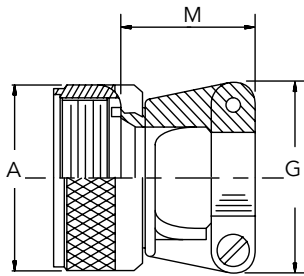
- AS50151 solder
- EN2997 & EN3646
- MIL-DTL-26482 Series 2
- MIL-DTL-83723 Series 3

### Ordering information

<b>Basic Series</b>	<b>AS85049/52</b>	<b>S</b>	<b>10</b>	<b>N</b>
<b>Self-locking option</b>				
S: Self-locking, detented - utilizes an audible detented anti-decoupling device.				
N: Self-locking, non detented - utilizes an internal captivated anti-decoupling device (self-seating) with no audible clicking mechanism.				
-1: Non self-locking				
<b>Dash number</b>				
8, 10, 12, 14, 16, 18, 20, 22, 21, 28, 32, 36, 40, 44, 48				
<b>Material and plating</b>				
A: Aluminum, black anodize				
N: Aluminum, electroless nickel				
W: Aluminum, olive drab cadmium over electroless nickel, 1000 hours salt spray				

Backshell

### Dimensions Non-self locking version



Dash num.	Ø A maxi		G maxi		M maxi		Cable entry mini		Cable entry maxi	
	inch	mm	inch	mm	inch	mm	inch	mm	inch	mm
8	0.617	15.6	0.782	19.8	0.63	16.0	0.125	3.2	0.204	5.2
10	0.734	18.6	0.862	21.8	0.74	18.7	0.187	4.7	0.286	7.3
12	0.858	21.7	1.003	25.4	0.86	21.8	0.291	7.4	0.416	10.6
14	0.984	24.9	1.061	26.9	0.86	21.8	0.351	8.9	0.476	12.1
16	1.112	28.2	1.334	33.8	0.99	25.1	0.501	12.7	0.626	15.9
18	1.218	30.9	1.466	37.2	1.24	31.4	0.518	13.2	0.706	17.9
20	1.345	34.1	1.572	39.9	1.36	34.5	0.581	14.8	0.831	21.1
22	1.468	37.2	1.688	42.8	1.49	37.8	0.644	16.4	0.956	24.3
24	1.593	40.4	1.790	45.4	1.61	40.8	0.706	17.9	1.081	27.5
28	1.969	50.0	2.035	51.6	1.76	44.7	0.750	19.1	1.187	30.1
32	2.219	56.3	2.386	60.6	1.95	49.5	0.875	22.2	1.250	31.8
36	2.469	62.7	2.496	63.4	2.33	59.1	0.938	23.8	1.375	34.9
40	2.719	69.0	2.566	65.1	2.51	63.7	0.938	23.8	1.500	38.1
44	2.969	75.4	2.860	72.6	2.89	73.4	1.188	30.2	1.750	44.5
48	3.219	81.7	3.344	84.9	3.26	82.8	1.312	33.3	1.875	47.6

Note: All dimensions are in inches and millimeters (inch/mm). For complete dimensions, see the applicable Military Specification. Cable entry is defined as the envelope area of the cable or wire bundle. It is not intended for inspection criteria.

**AS85049/52 Series (continued)**  
**Cable clamp strain relief - Aluminum straight**

**Dimensions - Self-locking version**



Dash num.	Ø A maxi		G maxi		M maxi		Cable entry mini		Cable entry maxi	
	inch	mm	inch	mm	inch	mm	inch	mm	inch	mm
8	0.885	22.5	0.782	19.8	0.73	18.5	0.125	3.2	0.204	5.2
10	1.010	25.7	0.862	21.8	0.85	21.6	0.187	4.7	0.286	7.3
12	1.135	28.8	1.003	25.4	0.98	24.9	0.291	7.4	0.416	10.6
14	1.260	32.0	1.061	26.9	0.98	24.9	0.351	8.9	0.476	12.1
16	1.385	35.2	1.334	33.8	1.10	27.9	0.501	12.7	0.626	15.9
18	1.510	38.4	1.466	37.2	1.35	34.3	0.518	13.2	0.706	17.9
20	1.635	41.5	1.572	39.9	1.98	50.3	0.581	14.8	0.831	21.1
22	1.760	44.7	1.688	42.8	2.73	69.3	0.644	16.4	0.956	24.3
24	1.885	47.9	1.790	45.4	2.88	73.2	0.706	17.9	0.081	27.5
28	2.135	54.2	2.035	51.6	2.528	64.2	0.750	19.1	1.187	30.1
32	2.395	60.8	2.386	60.6	2.591	65.8	0.875	22.2	1.250	31.8
36	2.635	66.9	2.496	63.4	2.13	54.1	0.938	23.8	1.375	34.9
40	2.885	73.3	2.566	65.1	2.44	62.0	0.938	23.8	1.500	38.1
44	3.135	79.6	2.860	72.6	3.00	76.2	1.188	30.2	1.750	44.5
48	3.385	86.0	3.344	84.9	3.40	86.4	1.312	33.3	1.875	47.6

Note: All dimensions are in inches and millimeters (inch/mm). For complete dimensions, see the applicable Military Specification. Cable entry is defined as the envelope area of the cable or wire bundle. It is not intended for inspection criteria.

## AS85049/53, 54, 55 Series Cable tie strain relief - Aluminum straight, 45° and 90°

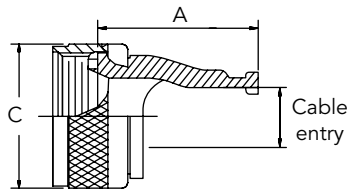
**For connectors:**

- AS50151 crimp
- AS81703 Series 3
- MIL-DTL-26482 Series 2
- MIL-DTL-83723 Series 3
- EN2997
- EN3646

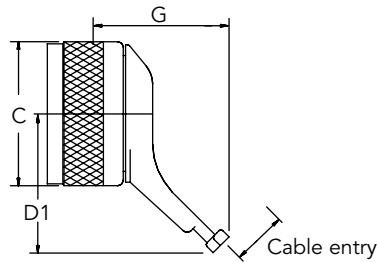
**Ordering information**

<b>Basic Series</b>	AS85049/	53	10	N
<b>Angle</b>				
53: Straight				
54: 45°				
55: 90°				
<b>Shell size</b>				
3, 8, 10, 12, 14, 16, 18, 20, 22, 24, 28				
<b>Material and plating</b>				
A: Aluminum, black anodize				
N: Aluminum, electroless nickel				
W: Aluminum, olive drab cadmium over electroless nickel, 1000 hours salt spray				

### Dimensions Non-self locking version



53 Series



54 Series



55 Series

Shell size	A maxi		Ø C maxi				D1 maxi		D2 maxi		G maxi		F maxi		Cable entry maxi	
			53 Series		54 & 55 Series											
	inch	mm	inch	mm	inch	mm	inch	mm	inch	mm	inch	mm	inch	mm		
3	0.954	24.0	0.669	16.99	0.782	19.86	1.110	28.2	1.290	32.8	1.232	31.3	0.431	10.94	0.260	6.6
8	0.954	24.0	0.617	15.67	0.657	16.68	1.110	28.2	1.220	31.0	1.232	31.3	0.431	10.94	0.260	6.6
10	0.954	24.0	0.734	18.64	0.782	19.86	1.110	28.2	1.290	32.8	1.232	31.3	0.431	10.94	0.365	9.3
12	0.954	24.0	0.858	21.79	0.937	23.79	1.110	28.2	1.620	41.1	1.232	31.3	0.431	10.94	0.501	12.7
14	1.204	30.6	0.984	24.99	1.050	26.66	1.200	30.5	1.660	42.2	1.232	31.3	0.431	10.94	0.575	14.6
16	1.204	30.6	1.112	28.24	1.239	31.47	1.200	30.5	1.720	43.7	1.232	31.3	0.431	10.94	0.700	17.8
18	1.204	30.6	1.218	30.93	1.378	35.00	1.300	33.0	1.720	43.7	1.232	31.3	0.456	11.58	0.779	19.8
20	1.310	33.3	1.345	34.16	1.500	38.09	1.300	33.0	1.790	45.5	1.482	37.6	0.456	11.58	0.904	23.0
22	1.430	36.3	1.468	37.28	1.631	41.42	1.400	35.5	1.850	47.0	1.482	37.6	0.456	11.58	1.029	26.1
24	1.560	39.6	1.593	40.46	1.750	44.44	1.400	35.5	1.910	48.5	1.482	37.6	0.456	11.58	1.144	29.1
28	1.560	39.6	1.969	50.01	1.970	50.03	1.500	38.1	2.06	52.3	1.469	37.3	0.448	11.37	1.379	35.0

Note: All dimensions are in inches and millimeters (inch/mm). For complete dimensions, see the applicable Military Specification. Cable entry is defined as the envelope area of the cable or wire bundle. It is not intended for inspection criteria.

## AS85049/57 Series

### Cable tie strain relief - Aluminum straight and 45°

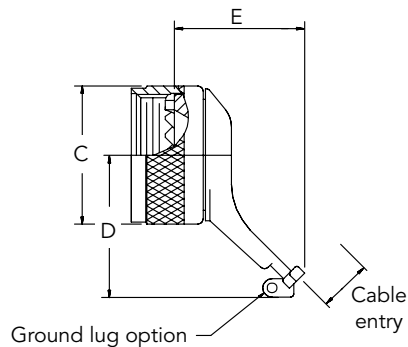
**For connectors:**

- MIL-DTL-38999 Series I & II

### Ordering information

<b>Basic Series</b>											<b>AS85049/57</b>	<b>G</b>	<b>10</b>	<b>N</b>																				
<b>Self-locking option</b>																																		
G: Self-locking detented with ground lug.																																		
H: Self-locking non-detented with ground lug.																																		
N: Self-locking non detented.																																		
S: Self-locking detented.																																		
<b>Shell size</b>																																		
8, 10, 12, 14, 16, 18, 20, 22, 24																																		
<table border="1"> <tr> <td>Shell size 38999 I</td> <td>09</td> <td>11</td> <td>13</td> <td>15</td> <td>17</td> <td>19</td> <td>21</td> <td>23</td> <td>25</td> </tr> <tr> <td>= Shell size 38999 II</td> <td>08</td> <td>10</td> <td>12</td> <td>14</td> <td>16</td> <td>18</td> <td>20</td> <td>22</td> <td>24</td> </tr> </table>															Shell size 38999 I	09	11	13	15	17	19	21	23	25	= Shell size 38999 II	08	10	12	14	16	18	20	22	24
Shell size 38999 I	09	11	13	15	17	19	21	23	25																									
= Shell size 38999 II	08	10	12	14	16	18	20	22	24																									
<b>Material and plating</b>																																		
A: Aluminum, black anodize																																		
N: Aluminum, electroless nickel																																		
W: Aluminum, olive drab cadmium over electroless nickel, 1000 hours salt spray																																		

### Dimensions



Shell size	Ø C maxi		D maxi		Cable entry maxi		E maxi	
	inch	mm	inch	mm	inch	mm	inch	mm
8	0.860	21.8	0.88	22.4	0.264	6.7	1.21	30.7
10	0.980	24.9	0.88	22.4	0.392	9.9	1.21	30.7
12	1.160	29.5	0.94	23.9	0.506	12.9	1.39	35.3
14	1.280	32.5	1.25	31.8	0.631	16.0	1.39	35.3
16	1.410	35.8	1.31	33.3	0.756	19.2	1.39	35.3
18	1.520	38.6	1.38	35.1	0.845	21.5	1.39	35.3
20	1.640	41.7	1.50	38.1	0.970	24.6	1.39	35.3
22	1.770	45.0	1.69	42.9	1.095	27.8	1.39	35.3
24	1.890	48.0	1.75	44.5	1.220	30.9	1.39	35.3

Note: All dimensions are in inches and millimeters (inch/mm). For complete dimensions, see the applicable Military Specification. Cable entry is defined as the envelope area of the cable or wire bundle. It is not intended for inspection criteria.

## AS85049/58 Series Potting boot ring - Aluminum

**For connectors:**

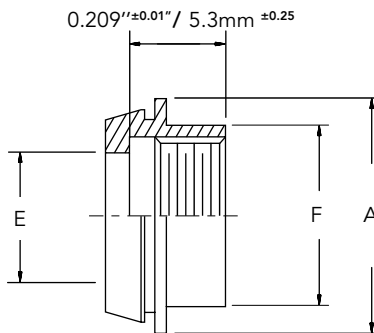
- MIL-DTL-38999 Series I & II

### Ordering information

Basic Series	AS85049/58	24
Dash number	08, 10, 12, 14, 16, 18, 20, 22, 24	

Olive drab cadmium finish

### Dimensions



Dash number	Shell size	Ø A maxi		Ø E ±0.005"/0.12		Ø F <sup>+0.006"/0.15</sup> <sub>-0.005"/0.12</sub>	
		inch	mm	inch	mm	inch	mm
8	8/9	0.600	15.2	0.344	8.7	0.500	12.7
10	10/11	0.726	18.4	0.472	12.0	0.625	15.8
12	12/13	0.850	21.6	0.586	14.9	0.750	19.0
14	14/15	0.976	24.8	0.711	18.1	0.875	22.2
16	16/17	1.102	27.9	0.836	21.2	1.000	25.4
18	18/19	1.226	31.1	0.942	23.9	1.125	28.5
20	20/21	1.352	34.3	1.067	27.1	1.250	31.7
22	22/23	1.476	37.5	1.192	30.3	1.375	34.9
24	24/25	1.602	40.7	1.317	33.5	1.500	38.0

Note: All dimensions are in inches and millimeters (inch/mm). For complete dimensions, see the applicable Military Specification. Cable entry is defined as the envelope area of the cable or wire bundle. It is not intended for inspection criteria.

## AS85049/60-1 Series

### Shrink boot adapter - Aluminum, straight

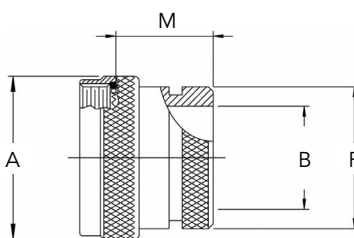
**For connectors:**

- AS50151 crimp
- AS81703 Series 3
- MIL-DTL-26482 Series 2
- MIL-DTL-83723 Series 3
- EN2997
- EN3646

### Ordering information

<b>Basic Series</b>	<b>AS85049/60-1</b>	<b>N</b>	<b>10</b>
<b>Material and plating</b>			
A: Aluminum, black anodize			
N: Aluminum, electroless nickel			
W: Aluminum, olive drab cadmium over electroless nickel, 1000 hours salt spray			
<b>Shell size</b>			
3, 8, 10, 12, 14, 16, 18, 20, 22, 24, 28, 32, 36, 40, 44, 48, 61			

### Dimensions



Shell size	$\varnothing A \begin{smallmatrix} +0.000/0.00 \\ -0.045/1.14 \end{smallmatrix}$		$\varnothing B \text{ mini}$		$\varnothing F \begin{smallmatrix} +0.000/0.00 \\ -0.020/0.50 \end{smallmatrix}$		$M \text{ maxi}$	
	inch	mm	inch	mm	inch	mm	inch	mm
3	0.669	16.99	0.250	6.40	0.533	13.50	0.832	21.10
8	0.617	15.67	0.250	6.40	0.533	13.50		
10	0.734	18.64	0.355	9.00	0.605	15.40		
12	0.858	21.79	0.491	12.50	0.774	19.70		
14	0.984	24.99	0.565	14.40	0.838	21.30		
16	1.112	28.24	0.690	17.50	0.963	24.50		
18	1.218	30.93	0.769	19.50	1.042	26.50		
20	1.345	34.16	0.894	22.70	1.217	30.90		
22	1.468	37.28	1.019	25.90	1.355	34.40		
24	1.593	40.46	1.134	28.80	1.443	36.70		
28	1.969	50.01	1.369	34.80	1.709	43.40	0.994	25.30
32	2.219	56.36	1.615	41.00	1.919	48.70		
36	2.469	62.71	1.830	46.50	2.169	55.10		
40	2.719	69.06	2.045	51.90	2.402	61.00		
44	2.969	75.41	2.300	58.40	2.657	67.50		
48	3.219	81.76	2.550	64.80	2.907	73.80		
61	1.653	41.98	1.174	29.80	1.529	38.80		

Note: All dimensions are in inches and millimeters (inch/mm). For complete dimensions, see the applicable Military Specification. Cable entry is defined as the envelope area of the cable or wire bundle. It is not intended for inspection criteria.

## AS85049/60-2G Series

### Low profile shrink boot adapter - Aluminum, straight

**For connectors :**

- AS50151 crimp
- EN2997 & EN3646
- MIL-DTL-26482 Series 2
- AS81703 Series 3

### Ordering information

<b>Basic Series</b>	<b>AS85049/60-2G</b>	<b>14</b>	<b>W</b>
<b>Shell size</b> 3, 8, 10, 12, 14, 16, 18, 20, 22, 24, 28, 32, 36, 40, 44, 48, 61			
<b>Material and plating</b>			
A: Aluminum, black anodize			
N: Aluminum, electroless nickel			
W: Aluminum, olive drab cadmium over electroless nickel, 1000 hours salt spray			

### Dimensions



Shell size	$\varnothing A \begin{smallmatrix} +0.00/0.0 \\ -0.45/11.43 \end{smallmatrix}$		R maxi		$S \pm 0.031'' / 0.78$	
	inch	mm	inch	mm	inch	mm
3	0.750	19.04	0.540	13.71	0.406	10.3
8	0.688	17.47	0.540	13.71	0.406	10.3
10	0.803	20.39	0.540	13.71	0.406	10.3
12	0.938	23.82	0.540	13.71	0.406	10.3
14	1.063	27.00	0.540	13.71	0.406	10.3
16	1.238	31.44	0.540	13.71	0.406	10.3
18	1.310	33.27	0.540	13.71	0.406	10.3
20	1.436	36.47	0.540	13.71	0.406	10.3
22	1.560	39.62	0.540	13.71	0.406	10.3
24	1.686	42.82	0.540	13.71	0.406	10.3
28	2.062	52.37	0.702	17.83	0.406	10.3
32	2.312	58.72	0.702	17.83	0.563	14.3
36	2.562	65.07	0.702	17.83	0.563	14.3
40	2.812	71.42	0.702	17.83	0.563	14.3
44	3.062	77.77	0.702	17.83	0.563	14.3
48	3.312	84.12	0.702	17.83	0.563	14.3
61	1.748	44.39	0.540	13.71	0.406	10.3

Note: All dimensions are in inches and millimeters (inch/mm). For complete dimensions, see the applicable Military Specification. Cable entry is defined as the envelope area of the cable or wire bundle. It is not intended for inspection criteria.

# AS85049/61 Series

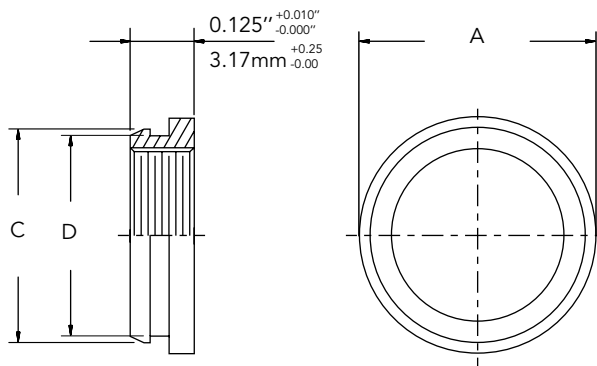
## Potting boot ring - Aluminum

For connectors :  
 • MIL-DTL-27599

### Ordering information

Basic Series										AS85049/61	10																				
Dash number	<table border="1"> <tr> <td>Shell size 38999 Series I</td> <td>09</td> <td>11</td> <td>13</td> <td>15</td> <td>17</td> <td>19</td> <td>21</td> <td>23</td> <td>25</td> </tr> <tr> <td>= Shell size 38999 Series II</td> <td>08</td> <td>10</td> <td>12</td> <td>14</td> <td>16</td> <td>18</td> <td>20</td> <td>22</td> <td>24</td> </tr> </table>									Shell size 38999 Series I	09	11	13	15	17	19	21	23	25	= Shell size 38999 Series II	08	10	12	14	16	18	20	22	24		
Shell size 38999 Series I	09	11	13	15	17	19	21	23	25																						
= Shell size 38999 Series II	08	10	12	14	16	18	20	22	24																						
08, 10, 12, 14, 16, 18, 20, 22, 24																															

### Dimensions



Dash number	Ø A maxi		Ø C <sup>+0.010"/0.25</sup> <sub>-0.000"/0.00</sub>		Ø D <sup>±0.010"/0.25</sup>	
	inch	mm	inch	mm	inch	mm
8	0.594	15.1	0.516	13.10	0.476	12.1
10	0.734	18.6	0.642	16.30	0.602	15.3
12	0.844	21.4	0.766	19.45	0.726	18.4
14	0.969	24.6	0.892	22.65	0.852	21.6
16	1.094	27.8	1.018	25.85	0.978	24.8
18	1.234	31.3	1.142	29.00	1.102	28.0
20	1.344	34.1	1.268	32.20	1.228	31.2
22	1.469	37.3	1.392	35.35	1.352	34.3
24	1.594	40.5	1.518	38.55	1.478	37.5

Note: All dimensions are in inches and millimeters (inch/mm). For complete dimensions, see the applicable Military Specification. Cable entry is defined as the envelope area of the cable or wire bundle. It is not intended for inspection criteria.



# AS85049/62 Series

## Shrink boot adapter - Aluminum, straight

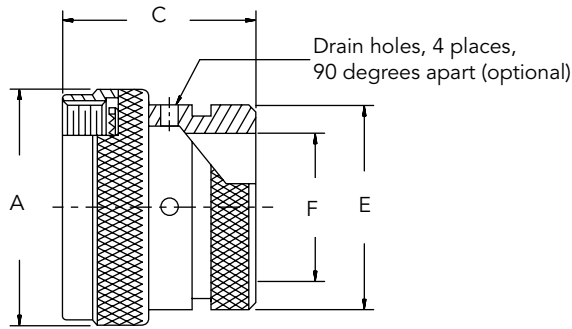
For connectors:

- MIL-DTL-27599
- MIL-DTL-38999 Series I & II

### Ordering information

Basic Series		AS85049/62										10	N	D
Shell size 8, 10, 12, 14, 16, 18, 20, 22, 24	Shell size 38999 I	09	11	13	15	17	19	21	23	25				
	= Shell size 38999 II	08	10	12	14	16	18	20	22	24				
Material and plating														
A: Aluminum, black anodize														
N: Aluminum, electroless nickel														
W: Aluminum, olive drab cadmium over electroless nickel, 1000 hours salt spray														
Drain hole														
D: with drain hole														
empty: without drain hole														

### Dimensions



Shell size	Ø A maxi		C maxi		Ø E maxi		Ø F mini	
	inch	mm	inch	mm	inch	mm	inch	mm
8	0.750	19.05	1.000	25.40	0.533	13.54	0.250	6.35
10	0.850	21.59			0.605	15.37	0.375	9.53
12	1.000	25.40			0.774	19.66	0.500	12.70
14	1.100	27.94			0.838	21.29	0.625	15.88
16	1.250	31.75			0.963	24.46	0.750	19.05
18	1.400	35.56			1.042	26.47	0.812	20.62
20	1.500	38.10			1.217	30.91	0.937	23.80
22	1.650	41.91			1.355	34.42	1.062	26.97
24	1.750	44.45			1.443	36.65	1.188	30.18

Note: All dimensions are in inches and millimeters (inch/mm). For complete dimensions, see the applicable Military Specification. Cable entry is defined as the envelope area of the cable or wire bundle. It is not intended for inspection criteria.

## AS85049/63 Series Cable tie strain relief - Aluminum 90°

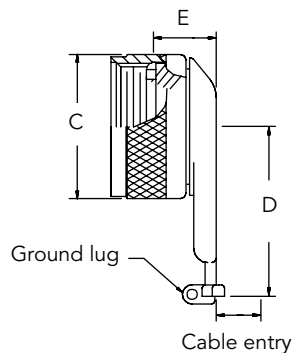
### For connectors:

- MIL-DTL-38999 Series I & II

### Ordering information

Basic Series		AS85049/63		G	10	N																				
<b>Self-locking option</b>																										
G: Self-locking detented with ground lug.																										
H: Self-locking non-detented with ground lug.																										
<b>Shell size</b>		<table border="1"> <tr> <td>Shell size 38999 I</td> <td>09</td> <td>11</td> <td>13</td> <td>15</td> <td>17</td> <td>19</td> <td>21</td> <td>23</td> <td>25</td> </tr> <tr> <td>= Shell size 38999 II</td> <td>08</td> <td>10</td> <td>12</td> <td>14</td> <td>16</td> <td>18</td> <td>20</td> <td>22</td> <td>24</td> </tr> </table>					Shell size 38999 I	09	11	13	15	17	19	21	23	25	= Shell size 38999 II	08	10	12	14	16	18	20	22	24
Shell size 38999 I	09	11	13	15	17	19	21	23	25																	
= Shell size 38999 II	08	10	12	14	16	18	20	22	24																	
8, 10, 12, 14, 16, 18, 20, 22, 24																										
<b>Material and plating</b>																										
A: Aluminum, black anodize																										
N: Aluminum, electroless nickel																										
W: Aluminum, olive drab cadmium over electroless nickel, 1000 hours salt spray																										

### Dimensions



Shell size	Ø C maxi		D maxi		E maxi		Cable entry maxi	
	inch	mm	inch	mm	inch	mm	inch	mm
8	0.860	21.8	1.220	31.0	0.690	17.5	0.264	6.7
10	0.980	24.9	1.290	32.8	0.690	17.5	0.392	9.9
12	1.160	29.5	1.620	41.1	0.690	17.5	0.506	12.8
14	1.280	32.5	1.660	42.2	0.700	17.8	0.631	16.0
16	1.410	35.8	1.720	43.7	0.700	17.8	0.756	19.2
18	1.520	38.6	1.720	43.7	0.730	18.5	0.845	21.4
20	1.640	41.7	1.790	45.5	0.730	18.5	0.970	24.6
22	1.770	45.0	1.850	47.0	0.730	18.5	1.095	27.8
24	1.890	48.0	1.910	48.5	0.730	18.5	1.220	31.0

Note: All dimensions are in inches and millimeters (inch/mm). For complete dimensions, see the applicable Military Specification. Cable entry is defined as the envelope area of the cable or wire bundle. It is not intended for inspection criteria.

## AS85049/69 Series Shrink boot adapter - Aluminum, straight

**For connectors:**

- MIL-DTL-38999 Series III & IV
- EN3645

### Ordering information

<b>Basic Series</b>	AS85049/69	11	N
<b>Shell size</b>	9, 11, 13, 15, 17, 19, 21, 23, 25		
<b>Material and plating</b>	A: Aluminum, black anodize N: Aluminum, electroless nickel W: Aluminum, olive drab cadmium over electroless nickel, 1000 hours salt spray		
<b>Drain hole</b>	D: with drain hole empty: without drain hole		

### Dimensions



Shell size	Ø A maxi		Ø B maxi		Ø C maxi	
	inch	mm	inch	mm	inch	mm
9	0.750	19.10	0.250	6.35	0.533	13.54
11	0.850	21.60	0.375	9.52	0.605	15.37
13	1.000	25.40	0.500	12.70	0.774	19.66
15	1.150	29.20	0.625	15.88	0.838	21.29
17	1.250	31.80	0.750	19.05	0.963	24.46
19	1.400	35.60	0.812	20.62	1.042	26.47
21	1.550	39.40	0.937	23.80	1.217	30.91
23	1.650	41.90	1.062	26.97	1.355	34.42
25	1.850	47.00	1.188	30.18	1.443	36.65

Note: All dimensions are in inches and millimeters (inch/mm). For complete dimensions, see the applicable Military Specification. Cable entry is defined as the envelope area of the cable or wire bundle. It is not intended for inspection criteria.

# AS85049/76 Series

## EMI/RFI environmental backshell - Aluminum 90°

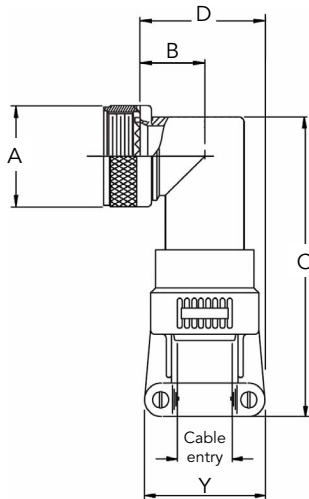
For connectors:

- MIL-DTL-38999 Series I & II

### Ordering information

Basic Series		AS85049/76-										10	W	01																				
Dash number		<table border="1"> <tr> <td>Shell size 38999 Series I</td> <td>09</td><td>11</td><td>13</td><td>15</td><td>17</td><td>19</td><td>21</td><td>23</td><td>25</td> </tr> <tr> <td>= Shell size 38999 Series II</td> <td>08</td><td>10</td><td>12</td><td>14</td><td>16</td><td>18</td><td>20</td><td>22</td><td>24</td> </tr> </table>										Shell size 38999 Series I	09	11	13	15	17	19	21	23	25	= Shell size 38999 Series II	08	10	12	14	16	18	20	22	24			
Shell size 38999 Series I	09	11	13	15	17	19	21	23	25																									
= Shell size 38999 Series II	08	10	12	14	16	18	20	22	24																									
Material and plating	<p>N: Aluminum, electroless nickel</p> <p>W: Aluminum, olive drab cadmium over electroless nickel, 1000 hours salt spray</p>																																	
Clamp size	01, 02, 03, 04, 05, 06, 07, 08, 09, 10 - See table below																																	

### Dimensions



Clamp size	Y maxi		Cable entry mini		Cable entry maxi	
	inch	mm	inch	mm	inch	mm
01	0.800	20.32	0.062	1.57	0.125	3.18
02	1.000	25.40	0.125	3.18	0.250	6.35
03	1.100	27.94	0.250	6.35	0.375	9.53
04	1.200	30.48	0.375	9.53	0.500	12.70
05	1.250	31.75	0.500	12.70	0.625	15.88
06	1.400	35.56	0.625	15.88	0.750	19.05
07	1.500	38.10	0.750	19.05	0.875	22.23
08	1.650	41.91	0.875	22.23	1.000	25.40
09	1.750	44.45	1.000	25.40	1.125	28.58
10	1.900	48.26	1.125	28.58	1.250	31.75

Dash number	Clamp size		Ø A maxi		B ±0.156/ 3.96		C ±0.188"/ 4.77		D maxi	
	mini	maxi	inch	mm	inch	mm	inch	mm	inch	mm
08	01	02	0.750	19.05	0.532	13.51	3.267	82.98	1.19	30.2
10	01	03	0.850	21.59	0.627	15.93	3.387	86.03	1.34	34.0
12	02	04	1.000	25.40	0.642	16.31	3.407	86.54	1.44	36.6
14	02	05	1.150	29.20	0.719	18.26	3.477	88.32	1.50	38.1
16	02	06	1.250	31.75	0.774	19.66	3.567	90.60	1.63	41.4
18	03	07	1.400	35.56	0.854	21.69	3.737	94.92	1.76	44.7
20	03	08	1.550	39.37	0.899	22.83	3.737	94.92	1.88	47.8
22	03	09	1.650	41.91	1.009	25.63	3.847	97.71	2.04	51.8
24	04	10	1.850	47.00	1.024	26.01	3.847	97.71	2.13	54.1

Note: All dimensions are in inches and millimeters (inch/mm). For complete dimensions, see the applicable Military Specification. Cable entry is defined as the envelope area of the cable or wire bundle. It is not intended for inspection criteria.

# AS85049/77 Series EMI/RFI environmental backshell - Aluminum 45°

For connectors:

- MIL-DTL-38999 Series I & II

## Ordering information

Basic Series		AS85049/77-										10	W	01																				
Dash number		<table border="1"> <tr> <td>Shell size 38999 Series I</td> <td>09</td><td>11</td><td>13</td><td>15</td><td>17</td><td>19</td><td>21</td><td>23</td><td>25</td> </tr> <tr> <td>= Shell size 38999 Series II</td> <td>08</td><td>10</td><td>12</td><td>14</td><td>16</td><td>18</td><td>20</td><td>22</td><td>24</td> </tr> </table>										Shell size 38999 Series I	09	11	13	15	17	19	21	23	25	= Shell size 38999 Series II	08	10	12	14	16	18	20	22	24			
Shell size 38999 Series I	09	11	13	15	17	19	21	23	25																									
= Shell size 38999 Series II	08	10	12	14	16	18	20	22	24																									
Material and plating	<p>N: Aluminum, electroless nickel W: Aluminum, olive drab cadmium over electroless nickel, 1000 hours salt spray</p>																																	
Clamp size	01, 02, 03, 04, 05, 06, 07, 08, 09, 10 - See table below																																	

## Dimensions



Clamp size	Y maxi		Cable entry mini		Cable entry maxi	
	inch	mm	inch	mm	inch	mm
01	0.800	20.32	0.062	1.57	0.125	3.18
02	1.000	25.40	0.125	3.18	0.250	6.35
03	1.100	27.94	0.250	6.35	0.375	9.53
04	1.200	30.48	0.375	9.53	0.500	12.70
05	1.250	31.75	0.500	12.70	0.625	15.88
06	1.400	35.56	0.625	15.88	0.750	19.05
07	1.500	38.10	0.750	19.05	0.875	22.23
08	1.650	41.91	0.875	22.23	1.000	25.40
09	1.750	44.45	1.000	25.40	1.125	28.58
10	1.900	48.26	1.125	28.58	1.250	31.75

Dash number	Clamp size		Ø A maxi		B ±0.062"/1.57mm		C ±0.062"/1.57mm		D maxi	
	mini	maxi	inch	mm	inch	mm	inch	mm	inch	mm
08	01	02	0.750	19.05	0.398	10.11	3.088	78.44	3.06	77.72
10	01	03	0.850	21.59	0.458	11.63	3.148	79.96	3.20	81.28
12	02	04	1.000	25.40	0.518	13.16	3.208	81.48	3.34	84.84
14	02	05	1.150	29.20	0.588	14.94	3.298	83.77	3.49	88.65
16	02	06	1.250	31.75	0.678	17.22	3.408	86.56	3.71	94.23
18	03	07	1.400	35.56	0.868	22.05	3.598	91.39	4.01	101.85
20	03	08	1.550	39.37	0.868	22.05	3.598	91.39	4.13	104.90
22	03	09	1.650	41.91	0.958	24.33	3.748	95.20	4.36	110.74
24	04	10	1.850	47.00	0.958	24.33	3.748	95.20	4.41	112.01

Note: All dimensions are in inches and millimeters (inch/mm). For complete dimensions, see the applicable Military Specification. Cable entry is defined as the envelope area of the cable or wire bundle. It is not intended for inspection criteria.

# AS85049/78 Series EMI/RFI environmental backshell - Aluminum 45°

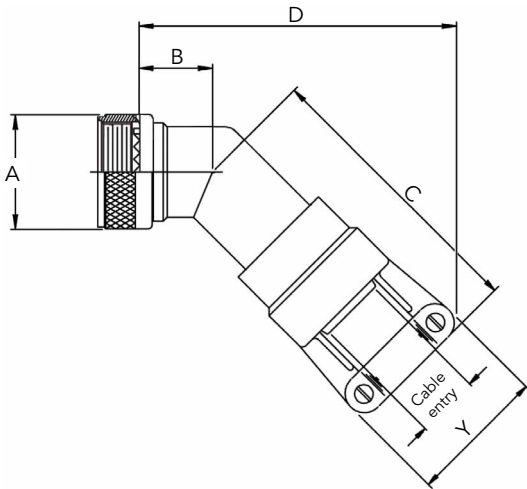
For connectors:

- MIL-DTL-38999 Series III & IV

## Ordering information

Basic Series	AS85049/78-	25	W	01
Dash number	09, 11, 13, 15, 17, 19, 21, 23, 25			
Material and plating	N: Aluminum, electroless nickel W: Aluminum, olive drab cadmium over electroless nickel, 1000 hours salt spray			
Clamp size	01, 02, 03, 04, 05, 06, 07, 08, 09, 10 - See table below			

## Dimensions



Clamp size	Y maxi		Cable entry mini		Cable entry maxi	
	inch	mm	inch	mm	inch	mm
01	0.800	20.32	0.062	1.57	0.125	3.18
02	1.000	25.40	0.125	3.18	0.250	6.35
03	1.100	27.94	0.250	6.35	0.375	9.53
04	1.200	30.48	0.375	9.53	0.500	12.70
05	1.250	31.75	0.500	12.70	0.625	15.88
06	1.400	35.56	0.625	15.88	0.750	19.05
07	1.500	38.10	0.750	19.05	0.875	22.23
08	1.650	41.91	0.875	22.23	1.000	25.40
09	1.750	44.45	1.000	25.40	1.125	28.58
10	1.900	48.26	1.125	28.58	1.250	31.75

Dash number	Clamp size		Ø A maxi		B ±0.062"/1.57mm		C ±0.062"/1.57mm		D ±0.062"/1.57mm	
	mini	maxi	inch	mm	inch	mm	inch	mm	inch	mm
09	01	02	0.750	19.05	0.398	10.11	3.088	78.44	2.85	72.39
11	01	03	0.850	21.59	0.458	11.63	3.148	79.96	2.98	75.69
13	02	04	1.000	25.40	0.518	13.16	3.208	81.48	3.13	79.50
15	02	05	1.150	29.20	0.588	14.94	3.298	83.77	3.32	84.33
17	02	06	1.250	31.75	0.678	17.22	3.408	86.56	3.53	89.66
19	03	07	1.400	35.56	0.868	22.05	3.598	91.39	3.91	99.31
21	03	08	1.550	39.37	0.868	22.05	3.598	91.39	3.96	100.58
23	03	09	1.650	41.91	0.958	24.33	3.748	95.20	4.19	106.43
25	04	10	1.850	47.00	0.958	24.33	3.748	95.20	4.24	107.70

Note: All dimensions are in inches and millimeters (inch/mm). For complete dimensions, see the applicable Military Specification. Cable entry is defined as the envelope area of the cable or wire bundle. It is not intended for inspection criteria.

## AS85049/79 Series EMI/RFI environmental backshell - Aluminum 90°

For connectors:

- MIL-DTL-38999 Series III & IV

### Ordering information

Basic Series	AS85049/79-	25	W	01
Dash number	09, 11, 13, 15, 17, 19, 21, 23, 25			
Material and plating	N: Aluminum, electroless nickel W: Aluminum, olive drab cadmium over electroless nickel, 1000 hours salt spray			
Clamp size	01, 02, 03, 04, 05, 06, 07, 08, 09, 10 - See table below			

### Dimensions



Clamp size	Y maxi		Cable entry mini		Cable entry maxi	
	inch	mm	inch	mm	inch	mm
01	0.800	20.32	0.062	1.57	0.125	3.18
02	1.000	25.40	0.125	3.18	0.250	6.35
03	1.100	27.94	0.250	6.35	0.375	9.53
04	1.200	30.48	0.375	9.53	0.500	12.70
05	1.250	31.75	0.500	12.70	0.625	15.88
06	1.400	35.56	0.625	15.88	0.750	19.05
07	1.500	38.10	0.750	19.05	0.875	22.23
08	1.650	41.91	0.875	22.23	1.000	25.40
09	1.750	44.45	1.000	25.40	1.125	28.58
10	1.900	48.26	1.125	28.58	1.250	31.75

Dash number	Clamp size		Ø A maxi		B ±0.156/ 3.96		C ±0.188"/ 4.77		D maxi	
	mini	maxi	inch	mm	inch	mm	inch	mm	inch	mm
09	01	02	0.750	19.05	0.532	13.51	3.267	82.98	1.19	30.2
11	01	03	0.850	21.59	0.627	15.93	3.387	86.03	1.34	34.0
13	02	04	1.000	25.40	0.642	16.31	3.407	86.54	1.44	36.6
15	02	05	1.150	29.20	0.719	18.26	3.477	88.32	1.50	38.1
17	02	06	1.250	31.75	0.774	19.66	3.567	90.60	1.63	41.4
19	03	07	1.400	35.56	0.854	21.69	3.737	94.92	1.76	44.7
21	03	08	1.550	39.37	0.899	22.83	3.737	94.92	1.88	47.8
23	03	09	1.650	41.91	1.009	25.63	3.847	97.71	2.04	51.8
25	04	10	1.850	47.00	1.024	26.01	3.847	97.71	2.13	54.1

Note: All dimensions are in inches and millimeters (inch/mm). For complete dimensions, see the applicable Military Specification. Cable entry is defined as the envelope area of the cable or wire bundle. It is not intended for inspection criteria.

# AS85049/82, 83, 84 Series

## Banding backshell - Aluminum straight, 45° and 90°

**For connectors:**

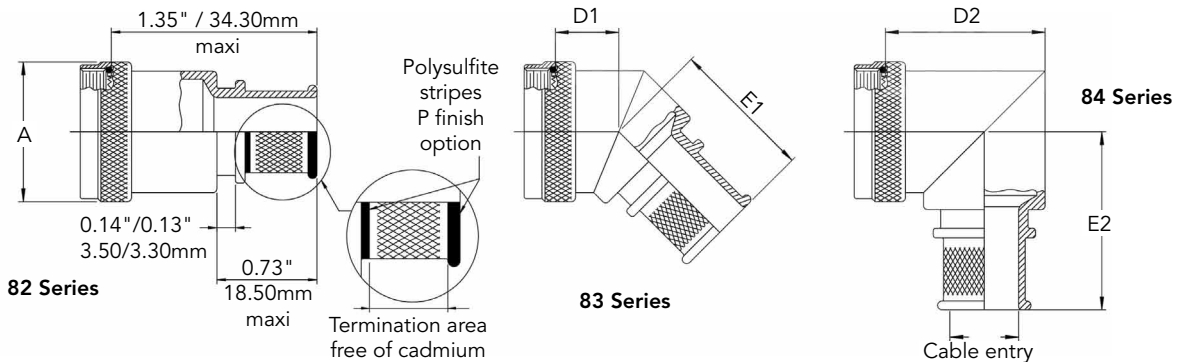
- AS50151 crimp
- AS81703 Series 3
- MIL-DTL-26482 Series 2
- MIL-DTL-83723 Series 3
- EN3646
- EN2997

**Ordering information**

<b>Basic Series</b>	AS85049/	82	-	10	N	02
<b>Angle</b>						
82: Straight						
83: 45°						
84: 90° (size 28 not available)						
<b>Self-locking option</b>						
- : Detented*						
N: Non detented**						
<b>Shell size: 08, 10, 12, 14, 16, 18, 20, 22, 24, 28</b>						
<b>Material and plating</b>						
N: Aluminum, electroless nickel						
P: Aluminum, olive drab cadmium over electroless nickel (selective plating)						
W: Aluminum, olive drab cadmium over electroless nickel, 1000 hours salt spray						
<b>Entry size (see table below): 02, 03</b>						

\* - utilizes an audible detented anti-decoupling device.  
 \*\* - utilizes an internal captivated anti-decoupling device (Self-Seating) with no audible clicking mechanism.

### Dimensions



Shell size	Ø A maxi		D1 maxi		E1 maxi		D2 maxi		E2 maxi		Cable entry Size 02 ±0.01/0.30		Cable entry Size 03 ±0.01/0.30	
	inch	mm	inch	mm	inch	mm	inch	mm	inch	mm	inch	mm	inch	mm
8	0.885	22.47	0.870	22.10	1.160	29.50	1.188	30.20	1.417	36.00	N/A	N/A	0.250	6.40
10	1.010	25.70	0.890	22.60	1.180	30.00	1.281	32.50	1.480	37.60	N/A	N/A	0.312	7.90
12	1.135	28.82	0.920	23.40	1.200	30.50	1.406	35.70	1.542	39.20	0.312	7.90	0.438	11.10
14	1.260	32.00	0.940	23.90	1.220	31.00	1.531	38.90	1.605	40.80	0.438	11.10	0.562	14.30
16	1.385	35.17	0.960	24.40	1.250	31.80	1.656	42.10	1.667	42.30	0.500	12.70	0.625	15.90
18	1.510	38.40	0.980	24.90	1.260	32.00	1.718	43.60	1.730	43.90	0.625	15.90	0.750	19.10
20	1.635	41.52	1.000	25.40	1.290	32.80	1.844	46.80	1.792	45.50	0.625	15.90	0.812	20.60
22	1.760	44.70	1.030	26.20	1.310	33.30	1.938	49.20	1.850	47.00	0.688	17.50	0.938	23.80
24	1.885	47.87	1.050	26.70	1.340	34.00	2.093	53.20	1.917	48.70	0.750	19.10	1.000	25.40
28	2.135	54.22	1.100	27.90	1.380	35.10	2.531	64.30	2.042	51.90	0.875	22.20	1.125	28.60

Note: All dimensions are in inches and millimeters (inch/mm). For complete dimensions, see the applicable Military Specification. Cable entry is defined as the envelope area of the cable or wire bundle. It is not intended for inspection criteria.



# AS85049/85, 86, 87 Series

## Banding backshell - Aluminum straight, 45° and 90°

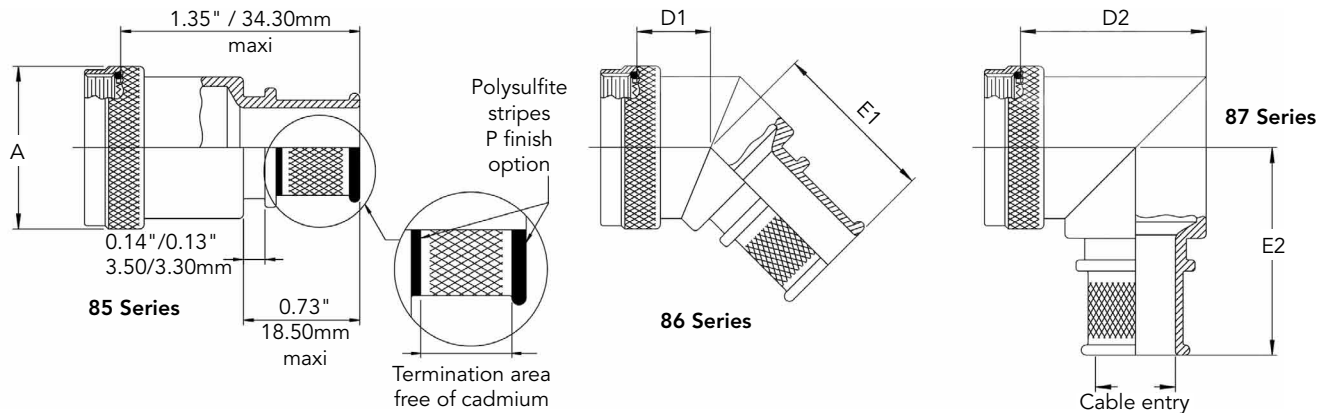
### For connectors:

- MIL-DTL-27599
- MIL-DTL-38999 Series I & II

### Ordering information

<b>Basic Series</b>	AS85049/	85	-	10	N	02				
<b>Angle</b>										
85: Straight										
86: 45°										
87: 90°										
<b>Self-locking option</b>										
- : Detented										
N: Non detented										
<b>Shell size: 08, 10, 12, 14, 16, 18, 20, 22, 24</b>	Shell size 38999 Series I	09	11	13	15	17	19	21	23	25
	= Shell size 38999 Series II	08	10	12	14	16	18	20	22	24
<b>Material and plating</b>										
N: Aluminum, electroless nickel										
P: Aluminum, olive drab cadmium over electroless nickel (selective plating)										
W: Aluminum, olive drab cadmium over electroless nickel, 1000 hours salt spray										
<b>Entry size (see table below): 01, 02, 03</b>										

### Dimensions



Shell size	Ø A maxi		D1 maxi		E1 maxi		D2 maxi		E2 maxi		Cable entry for AS85049/85, Straight version				Cable entry for AS85049/86 and AS85049/87, 45° & 90°			
											Size 01		Size 02		Size 02		Size 03	
	inch	mm	inch	mm	inch	mm	inch	mm	inch	mm	inch	mm	inch	mm	inch	mm	inch	mm
08	0.859	21.81	0.870	22.10	1.160	29.50	1.375	34.90	1.417	36.00	N/A	N/A	0.250	6.40	N/A	N/A	0.250	6.40
10	0.986	25.04	0.900	22.90	1.190	30.20	1.437	36.50	1.480	37.60	N/A	N/A	0.312	7.90	N/A	N/A	0.312	7.90
12	1.156	29.36	0.920	23.40	1.210	30.70	1.562	39.70	1.553	39.40	0.312	7.90	0.438	11.10	0.312	7.90	0.438	11.10
14	1.281	32.53	0.950	24.10	1.240	31.50	1.687	42.80	1.614	41.00	0.438	11.10	0.562	14.30	0.438	11.10	0.562	14.30
16	1.406	35.71	0.980	24.90	1.260	32.00	1.750	44.50	1.678	42.60	0.500	12.70	0.625	15.90	0.500	12.70	0.625	15.90
18	1.516	38.50	0.980	24.90	1.270	32.30	1.875	47.60	1.733	44.00	0.625	15.90	0.750	19.10	0.625	15.90	0.750	19.10
20	1.641	41.68	1.010	25.70	1.300	33.00	1.938	49.20	1.796	45.60	0.625	15.90	0.812	20.60	0.625	15.90	0.812	20.60
22	1.766	44.85	1.040	26.40	1.330	33.80	2.062	52.40	1.859	47.20	0.688	17.50	0.938	23.80	0.688	17.50	0.938	23.80
24	1.891	48.03	1.070	27.20	1.350	34.30	2.125	54.00	1.919	48.70	0.750	19.10	1.000	25.40	0.750	19.10	1.000	25.40

Note: All dimensions are in inches and millimeters (inch/mm). For complete dimensions, see the applicable Military Specification. Cable entry is defined as the envelope area of the cable or wire bundle. It is not intended for inspection criteria.

## AS85049/88, 89, 90 Series

### Banding backshell - Aluminum and composite straight, 45° and 90°

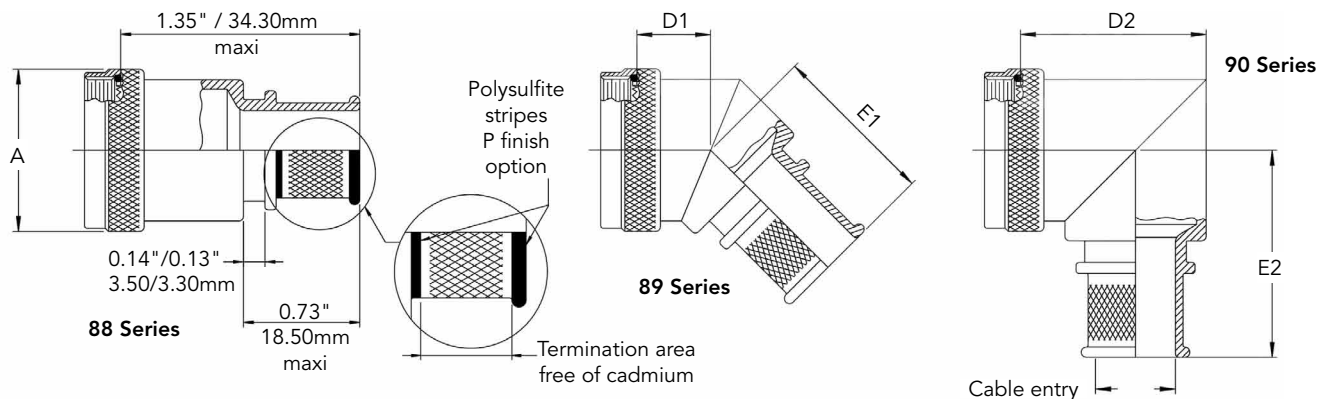
**For connectors:**

- MIL-DTL-38999 Series III & IV
- EN3645

### Ordering information

<b>Basic Series</b>	AS85049/	88	-	11	N	02
<b>Angle</b>						
88: Straight						
89: 45°						
90: 90°						
<b>Self-locking option</b>						
- : Detended						
N: Non detended						
<b>Shell size: 09, 11, 13, 15, 17, 19, 21, 23, 25</b>						
<b>Material and plating</b>						
J: Composite, olive drab cadmium over electroless nickel, 1000 hours salt spray						
M: Composite, electroless nickel						
N: Aluminum, electroless nickel						
P: Aluminum, olive drab cadmium over electroless nickel with polysulfide sealant strips						
W: Aluminum, olive drab cadmium over electroless nickel, 1000 hours salt spray						
<b>Entry size (see table below): 02, 03</b>						

### Dimensions



Shell size	Ø A maxi		D1 maxi		E1 maxi		D2 maxi		E2 maxi		Cable entry Size 02		Cable entry Size 03	
	inch	mm	inch	mm	inch	mm	inch	mm	inch	mm	inch	mm	inch	mm
9	0.858	21.8	1.010	25.70	1.160	29.50	1.375	34.90	1.417	36.00	N/A	N/A	0.250	6.40
11	0.984	25.1	1.030	26.20	1.190	30.20	1.437	36.50	1.480	37.60	N/A	N/A	0.312	7.90
13	1.157	29.4	1.060	26.90	1.210	30.70	1.562	39.70	1.553	39.40	0.312	7.90	0.438	11.10
15	1.279	32.5	1.080	27.40	1.240	31.50	1.687	42.80	1.614	41.00	0.438	11.10	0.562	14.30
17	1.406	35.7	1.110	28.20	1.260	32.00	1.750	44.50	1.678	42.60	0.500	12.70	0.625	15.90
19	1.516	38.5	1.120	28.40	1.270	32.30	1.875	47.60	1.773	45.03	0.625	15.90	0.750	19.10
21	1.642	41.7	1.150	29.20	1.300	33.00	1.938	49.20	1.796	45.60	0.625	15.90	0.812	20.60
23	1.738	44.9	1.170	29.70	1.330	33.80	2.062	52.40	1.859	47.20	0.688	17.50	0.938	23.80
25	1.889	48.0	1.200	30.50	1.350	34.30	2.125	54.00	1.919	48.70	0.750	19.10	1.000	25.40

Note: All dimensions are in inches and millimeters (inch/mm). For complete dimensions, see the applicable Military Specification. Cable entry is defined as the envelope area of the cable or wire bundle. It is not intended for inspection criteria.

## AS85049/91,92 Series

### Cable clamp strain relief - Composite straight and 90°

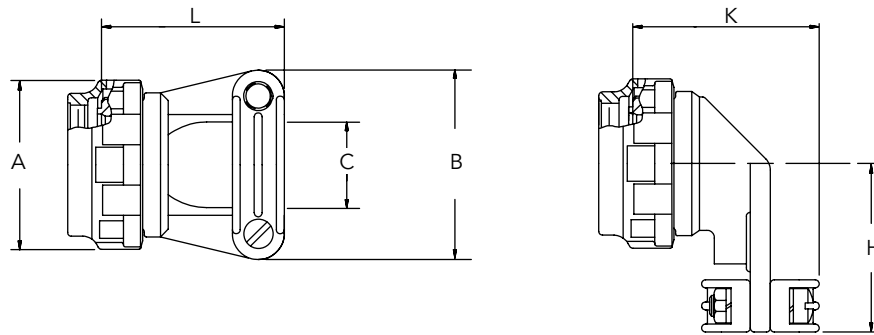
**For connectors:**

- MIL-DTL-38999 Series III & IV
- EN3645

### Ordering information

<b>Basic Series</b>	AS85049/	91	-	15	M
<b>Angle</b>					
91: Straight					
92: 90°					
<b>Self-locking option</b>					
- : Self locking detented					
<b>Shell size</b>					
09, 11, 13, 15, 16, 17, 19, 21, 23, 25					
<b>Material and plating</b>					
J: Composite (conductive), olive drab cadmium over electroless nickel					
M: Composite (conductive), electroless nickel					
T: Composite (non-conductive) without plating					

### Dimensions



Shell size	Ø A maxi		B maxi		C <sup>±0.031"</sup> <sub>±0.78mm</sub>		H <sup>±.062"</sup> <sub>±1.6mm</sub>		K maxi	
	inch	mm	inch	mm	inch	mm	inch	mm	inch	mm
09	0.858	21.79	0.98	24.89	0.219	5.56	0.875	22.2	1.06	26.92
11	0.984	24.99	1.05	26.67	0.264	6.71	0.937	23.8	1.10	27.94
13	1.157	29.39	1.20	30.48	0.344	8.74	1.031	26.2	1.18	29.97
15	1.280	33.51	1.30	33.02	0.460	11.68	1.125	28.6	1.30	33.02
17	1.406	35.71	1.42	36.07	0.545	13.84	1.312	33.3	1.38	35.05
19	1.516	38.51	1.52	38.61	0.615	15.62	1.375	34.9	1.45	36.83
21	1.642	41.51	1.64	41.66	0.698	17.73	1.500	38.1	1.54	39.12
23	1.768	44.91	1.77	44.96	0.780	19.81	1.625	41.3	1.62	41.15
25	1.890	48.01	1.89	48.01	0.850	21.59	1.750	44.5	1.69	42.93

Note: All dimensions are in inches and millimeters (inch/mm). For complete dimensions, see the applicable Military Specification. Cable entry is defined as the envelope area of the cable or wire bundle. It is not intended for inspection criteria.

# AS85049/103, 104, 105 Series

## Cable clamp EMI/RFI strain relief - Composite straight, 45° and 90°

### For connectors:

- MIL-DTL-38999 Series III & IV
- EN3645

### Ordering information

<b>Basic Series</b>	<b>AS85049/</b>	<b>103</b>	<b>15</b>
<b>Angle</b>			
103: Straight			
104: 45°			
105: 90°			
<b>Shell size</b>			
09, 11, 13, 15, 16, 17, 19, 21, 23, 25			

### Dimensions



Shell size	Ø A maxi		B maxi		Ø C $\pm 0.031"$ $\pm 0.79mm$		L1 maxi		L2 maxi		L3 maxi		N Hex		Ø P mini		R1 maxi		R2 maxi	
	inch	mm	inch	mm	inch	mm	inch	mm	inch	mm	inch	mm	inch	mm	inch	mm	inch	mm	inch	mm
09	0.858	21.79	0.98	24.89	0.265	6.73	0.939	23.85	1.128	28.65	1.128	28.65	0.750/0.736	19.05/18.69	0.264	6.71	0.901	22.89	0.94	23.88
11	0.984	24.99	1.05	26.67	0.310	7.87	1.059	26.90	1.168	29.67	1.168	29.67	0.875/0.860	22.23/21.84	0.390	9.91	0.964	24.39	1.00	25.40
13	1.157	29.39	1.20	30.48	0.390	9.91	1.199	30.45	1.248	31.70	1.248	31.70	1.000/0.980	25.40/24.89	0.504	12.80	1.050	26.67	1.12	28.45
15	1.280	32.51	1.30	33.02	0.506	12.85	1.199	30.45	1.368	34.75	1.368	34.75	1.125/1.100	31.75/31.09	0.630	16.00	1.112	28.24	1.19	30.23
17	1.406	35.71	1.44	36.58	0.591	15.01	1.329	33.76	1.448	36.78	1.448	36.78	1.250/1.224	31.75/31.09	0.756	19.20	1.175	29.85	1.37	34.80
19	1.516	38.51	1.56	39.62	0.661	16.79	1.509	38.33	1.528	38.81	1.528	38.81	1.375/1.348	34.94/34.24	0.843	21.41	1.230	31.24	1.44	36.58
21	1.642	41.71	1.69	42.93	0.744	18.90	1.609	40.87	1.648	41.86	1.648	41.86	1.500/1.469	38.10/37.31	0.969	24.61	1.293	32.84	1.56	39.62
23	1.768	44.91	1.77	44.96	0.826	20.98	1.759	44.68	1.688	42.88	1.688	42.88	1.625/1.581	41.28/40.16	1.091	27.71	1.365	34.67	1.69	42.93
25	1.890	48.01	1.89	48.01	0.896	22.76	1.859	47.22	1.758	44.65	1.758	44.65	1.750/1.690	44.45/42.93	1.217	30.91	1.417	35.99	1.81	45.97

Note: All dimensions are in inches and millimeters (inch/mm). For complete dimensions, see the applicable Military Specification. Cable entry is defined as the envelope area of the cable or wire bundle. It is not intended for inspection criteria.

## Notes

A large grid of graph paper for taking notes, consisting of 20 columns and 30 rows of small squares.

# MIL-Spec Products

# Protective Covers

■ AS25042 .....	96
■ AS25043 .....	97
■ D38999/32 .....	98
■ D38999/33 .....	99
■ MS27501 .....	100
■ MS27502 .....	101
■ MS27510 .....	102
■ MS27511 .....	103
■ MS3180 .....	104
■ MS3181 .....	105

## AS25042 Series Threaded connector covers

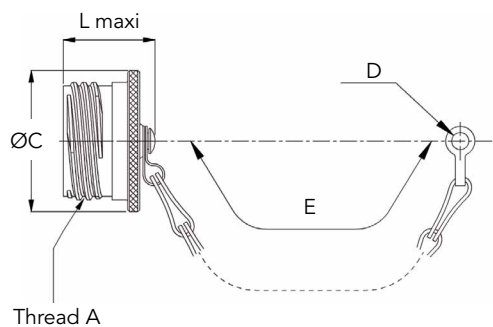
For connectors:

- AS50151

### Ordering information

<b>Basic Series</b>	<b>MS250</b>	<b>42</b>	<b>12</b>	<b>D</b>
<b>Cover type</b> 42: Cover for plug				
<b>Shell size: 8, 10, 12, 14, 16, 18, 20, 22, 24, 28, 32, 36, 40, 44, 48</b>				
<b>Material and plating</b> D: Aluminum, olive drab cadmium DA: Aluminum, black anodize				

### Dimensions



Size	Thread A	ØC maxi		ØD <sup>+0.010"/0.254mm</sup> <sub>-0.005"/0.127mm</sub>		E		L maxi	
		inch	mm	inch	mm	inch	mm	inch	mm
8	1/2 - 28 UNEF	0.562	14.27	0.156	3.96	4.00	101.6	0.969	24.61
10	5/8 - 24 UNEF	0.687	17.44			4.50	114.3	1.156	29.36
12	3/4 - 20 UNEF	0.812	20.62						
14	7/8 - 20 UNEF	0.937	23.79						
16	1 - 20 UNEF	1.062	26.97						
18	1 1/8 - 18 UNEF	1.187	30.14			5.00	127.0		
20	1 1/4 - 18 UNEF	1.312	33.32						
22	1 3/8 - 18 UNEF	1.437	36.49						
24	1 1/2 - 18 UNEF	1.562	39.67	5.50	139.7				
28	1 3/4 - 18 UNS	1.812	46.02						
32	2 - 18 UNS	2.062	52.37	0.218	5.53	7.75	196.85		
36	2 1/4 - 16 UN	2.312	58.72						
40	2 1/2 - 16 UN	2.562	65.07						
44	2 3/4 - 16 UN	2.812	71.42						
48	3 - 16 UN	3.062	77.77						

Note: All dimensions are in inches and millimeters (inch/mm).



## AS25043 Series Threaded connector covers

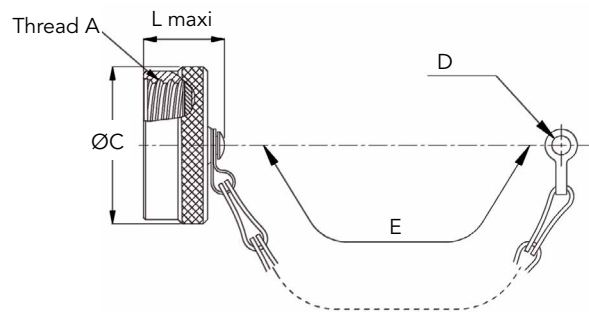
For connectors:

- AS50151

### Ordering information

<b>Basic Series</b>	<b>MS250</b>	<b>43</b>	<b>12</b>	<b>D</b>
<b>Cover type</b> 43: Cover for receptacle				
<b>Shell size: 8, 10, 12, 14, 16, 18, 20, 22, 24, 28, 32, 36, 40, 44, 48</b>				
<b>Material and plating</b> D: Aluminum, olive drab cadmium DA: Aluminum, black anodize				

### Dimensions



Size	Thread A	ØC maxi		ØD <sup>+0.010"/0.254mm</sup> <sub>-0.005"/0.127mm</sub>		E		L maxi	
		inch	mm	inch	mm	inch	mm	inch	mm
8	1/2 - 28 UNEF	0.688	17.47	0.140	3.55	4.00	101.6	0.750	19.04
10	5/8 - 24 UNEF	0.815	20.70						
12	3/4 - 20 UNEF	1.000	25.40						
14	7/8 - 20 UNEF	1.125	28.57						
16	1 - 20 UNEF	1.188	30.17						
18	1 1/8 - 18 UNEF	1.344	34.13	0.171	4.34	5.00	127.0	0.812	20.62
20	1 1/4 - 18 UNEF	1.469	37.31						
22	1 3/8 - 18 UNEF	1.594	40.48						
24	1 1/2 - 18 UNEF	1.719	43.66						
28	1 3/4 - 18 UNS	1.969	50.01	0.187	4.74	7.75	196.85	0.812	20.62
32	2 - 18 UNS	2.219	56.36						
36	2 1/4 - 16 UN	2.469	62.71						
40	2 1/2 - 16 UN	2.719	69.06						
44	2 3/4 - 16 UN	2.969	75.41						
48	3 - 16 UN	3.188	80.97						

Note: All dimensions are in inches and millimeters (inch/mm).

## D38999/32 Series Threaded connector covers

### For connectors:

- MIL-DTL-38999 Series III
- EN3645

### Ordering information

Basic Series	D38999/	32	W	11	N
Cover type	32: Cover for plug				
Material and plating	W: Aluminum, olive drab cadmium				
Shell size:	9, 11, 13, 15, 17, 19, 21, 23, 25				
Style	N: With stainless steel rope and ring R: With stainless steel rope and eyelet				

### Dimensions



Size	Thread A	ØB maxi		ØE mini		G	
		inch	mm	inch	mm	inch	mm
9	0.6250-0.1P-0.3L-TS	0.905	23.0	0.512	13.0	5.00 <sup>+0.512"</sup> <sub>-0.276"</sub>	127.0 <sup>+13</sup> <sub>-7</sub>
11	0.7500-0.1P-0.3L-TS	1.023	26.0	0.709	18.0		
13	0.8750-0.1P-0.3L-TS	1.220	31.0	0.787	20.0		
15	1.0000-0.1P-0.3L-TS	1.299	33.0	0.905	23.0		
17	1.1875-0.1P-0.3L-TS	1.457	37.0	1.023	26.0		
19	1.2500-0.1P-0.3L-TS	1.575	40.0	1.142	29.0		
21	1.3750-0.1P-0.3L-TS	1.732	44.0	1.260	32.0		
23	1.5000-0.1P-0.3L-TS	1.811	46.0	1.339	34.0		
25	1.6250-0.1P-0.3L-TS	1.968	50.0	1.535	39.0		

Note: All dimensions are in inches and millimeters (inch/mm).

## D38999/33 Series Threaded connector covers

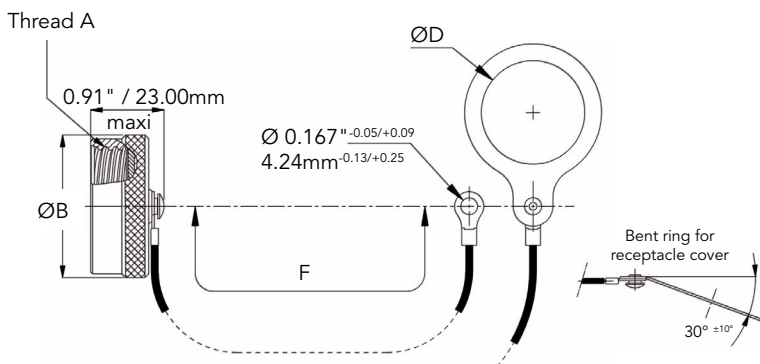
### For connectors:

- MIL-DTL-38999 Series III
- EN3645

### Ordering information

Basic Series	D38999/	33	W	11	N
Cover type	33: Cover for receptacle				
Material and plating	W: Aluminum, olive drab cadmium				
Shell size:	9, 11, 13, 15, 17, 19, 21, 23, 25				
Style	N: With stainless steel rope and ring R: With stainless steel rope and eyelet				

### Dimensions



Size	Thread A	ØB maxi		ØD mini		F	
		inch	mm	inch	mm	inch	mm
9	0.6250-0.1P-0.3L-TS	0.905	23.0	0.690	17.64	5.00 $^{+0.512^*}$ $^{-0.276^*}$	127.0 $^{+13}$ $^{-7}$
11	0.7500-0.1P-0.3L-TS	1.102	28.0	0.860	21.97		
13	0.8750-0.1P-0.3L-TS	1.220	31.0	0.990	25.12		
15	1.0000-0.1P-0.3L-TS	1.260	32.0	1.180	29.92		
17	1.1875-0.1P-0.3L-TS	1.457	37.0	1.260	32.00		
19	1.2500-0.1P-0.3L-TS	1.535	39.0	1.430	36.27		
21	1.3750-0.1P-0.3L-TS	1.653	42.0	1.510	38.25		
23	1.5000-0.1P-0.3L-TS	1.772	45.0	1.680	42.62		
25	1.6250-0.1P-0.3L-TS	1.929	49.0	1.750	44.45		

Note: All dimensions are in inches and millimeters (inch/mm).

## MS27501 Series Bayonet connector covers

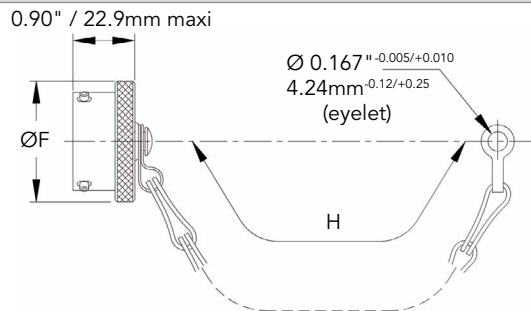
### For connectors:

- MIL-DTL-38999 Series I

### Ordering information

<b>Basic Series</b>	<b>MS27</b>	<b>501</b>	<b>A</b>	<b>11</b>	<b>C</b>
<b>Cover type</b> 501: Cover for plug					
<b>Material and plating</b> A: Yellow iridite over cadmium & nickel B: Aluminum, olive drab cadmium, 500 hours salt spray C: Aluminum, black anodize F: Aluminum, electroless nickel					
<b>Shell size: 9, 11, 13, 15, 17, 19, 21, 23, 25</b>					
<b>Style</b> A: Without chain C: Chain with eyelet					
<b>Chain length (in inches/mm)</b> empty: Standard chain length, see table below (H Max) L: 5.0/127.0 M: 6.0/152.4 N: 7.0/177.8					

### Dimensions



Size	ØF maxi		H <sup>+0.500"/-0.250"</sup> <sub>+12.7/-6.35mm</sub>	
	inch	mm	inch	mm
9	0.82	20.80	3.00	76.19
11	0.94	23.90		
13	1.07	27.20		
15	1.19	30.20	3.50	88.89
17	1.32	33.52		
19	1.44	36.60		
21	1.57	39.90	4.00	101.6
23	1.69	42.90		
25	1.82	46.20		

Note: All dimensions are in inches and millimeters (inch/mm).

## MS27502 Series Bayonet connector covers

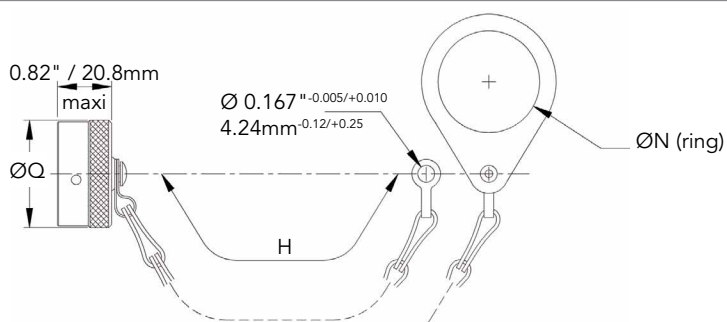
### For connectors:

- MIL-DTL-38999 Series I

### Ordering information

<b>Basic Series</b>	<b>MS27</b>	<b>502</b>	<b>B</b>	<b>11</b>	<b>N</b>
<b>Cover type</b> 502: Cover for receptacle					
<b>Material and plating</b> A: Yellow iridite over cadmium & nickel B: Aluminum, olive drab cadmium, 500 hours salt spray C: Aluminum, black anodize F: Aluminum, electroless nickel					
<b>Shell size: 9, 11, 13, 15, 17, 19, 21, 23, 25</b>					
<b>Style</b> A: Without chain C: Chain with eyelet N: Chain with ring (MS27502 only)					
<b>Chain length (in inches/mm)</b> empty: Standard chain length, see table below (H Max) L: 5.0/127.0					

### Dimensions



Size	ØQ maxi		H <sup>+0.500"/-0.250"</sup> <sup>+12.7/-6.35mm</sup>		ØN mini	
	inch	mm	inch	mm	inch	mm
9	0.86	21.84	3.00	76.19	0.70	17.77
11	0.98	24.89			0.84	21.33
13	1.16	29.46	3.50	88.89	1.01	25.65
15	1.28	32.51			1.14	28.95
17	1.41	35.81			1.26	32.00
19	1.52	38.60	4.00	101.6	1.39	35.30
21	1.65	41.91			1.51	38.35
23	1.77	44.95			1.64	41.65
25	1.89	48.00			1.76	44.70

Note: All dimensions are in inches and millimeters (inch/mm).

## MS27510 Series Bayonet connector covers

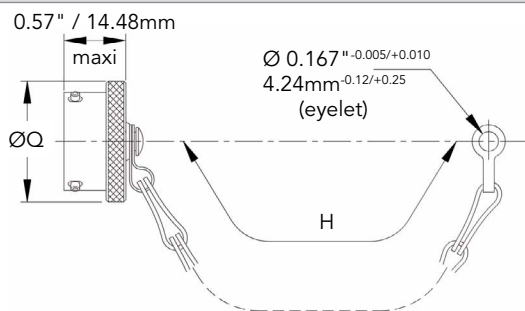
### For connectors:

- MIL-DTL-38999 Series II

### Ordering information

<b>Basic Series</b>	<b>MS27</b>	<b>510</b>	<b>B</b>	<b>10</b>	<b>C</b>
<b>Cover type</b> 510: Cover for plug					
<b>Material and plating</b> A: Yellow iridite over cadmium & nickel B: Aluminum, olive drab cadmium, 500 hours salt spray C: Aluminum, black anodize F: Aluminum, electroless nickel					
<b>Shell size: 8, 10, 12, 14, 16, 18, 20, 22, 24</b>					
<b>Style</b> A: Without chain C: Chain with eyelet					
<b>Chain length (in inches/mm)</b> empty: Standard chain length, see table below (H Max) L: 5.0/127.0 M: 6.0/152.4 N: 7.0/177.8					

### Dimensions



Size	ØQ maxi		H <sup>+0.500"/-0.250"</sup> <sub>+12.7/-6.35mm</sub>	
	inch	mm	inch	mm
8	0.72	18.28	3.00	76.19
10	0.85	21.59		
12	1.00	25.40	3.50	88.89
14	1.13	28.70		
16	1.25	31.75		
18	1.38	35.05	4.00	101.6
20	1.50	38.09		
22	1.63	41.40		
24	1.75	44.44		

Note: All dimensions are in inches and millimeters (inch/mm).

## MS27511 Series Bayonet connector covers

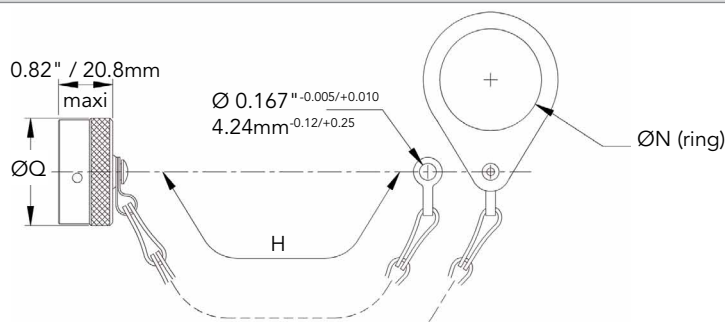
### For connectors:

- MIL-DTL-38999 Series II

### Ordering information

<b>Basic Series</b>	<b>MS27</b>	<b>511</b>	<b>B</b>	<b>10</b>	<b>C</b>
<b>Cover type</b> 511: Cover for receptacle					
<b>Material and plating</b> A: Yellow iridite over cadmium & nickel B: Aluminum, olive drab cadmium, 500 hours salt spray C: Aluminum, black anodize F: Aluminum, electroless nickel					
<b>Shell size: 8, 10, 12, 14, 16, 18, 20, 22, 24</b>					
<b>Style</b> A: Without chain C: Chain with eyelet N: Chain with ring (MS27511 only) R: Rope (MS27511 only)					
<b>Chain length (in inches/mm)</b> empty: Standard chain length, see table below (H Max) L: 5.0/127.0					

### Dimensions



Size	ØQ maxi		H <sup>+0.500"/-0.250"</sup> <sub>+12.7/-6.35mm</sub>	
	inch	mm	inch	mm
8	0.750	19.04	3.00	76.19
10	0.859	21.81		
12	1.031	26.18		
14	1.156	29.36	3.50	88.89
16	1.281	32.53		
18	1.406	35.71		
20	1.531	38.88	4.00	101.6
22	1.641	41.68		
24	1.766	44.85		

Note: All dimensions are in inches and millimeters (inch/mm).

## MS3180 Series Bayonet connector covers

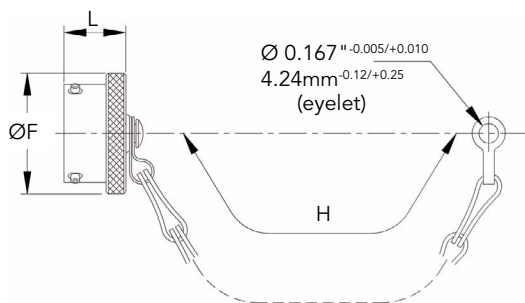
### For connectors:

- MIL-DTL-26482 Series 2

### Ordering information

<b>Basic Series</b>	MS31	80	10	C	A
<b>Cover type</b> 80: Cover for plug					
<b>Shell size: 8, 10, 12, 14, 16, 18, 20, 22, 24</b>					
<b>Style</b> C: Chain with eyelet R: Rope					
<b>Material and plating</b> A: Yellow iridite over cadmium & nickel					
<b>Chain length (in inches/mm)</b> empty: Standard chain length, see table below (H Max) L: 5.0/127.0					

### Dimensions



Size	ØF maxi		H <sup>+0.500<sup>in</sup>/-0.250<sup>in</sup></sup> <sub>+12.7/-6.35mm</sub>		L maxi			
	inch	mm	inch	mm	inch	mm		
8	0.719	18.26	3.00	76.20	0.562	14.27		
10	0.844	21.44						
12	1.000	25.40						
14	1.125	28.58						
16	1.250	31.75	3.5	88.90	0.625	15.88		
18	1.375	34.92						
20	1.500	38.150						
22	1.625	41.28	4.00	101.60			0.658	16.71
24	1.750	44.45						

Note: All dimensions are in inches and millimeters (inch/mm).



## MS3181 Series Bayonet connector covers

### For connectors:

- MIL-DTL-26482 Series 2

### Ordering information

<b>Basic Series</b>	<b>MS31</b>	<b>81</b>	<b>10</b>	<b>C</b>	<b>A</b>
<b>Cover type</b> 81: Cover for receptacle					
<b>Shell size: 8, 10, 12, 14, 16, 18, 20, 22, 24</b>					
<b>Style</b> C: Chain with eyelet N: Chain with ring R: Rope					
<b>Material and plating</b> A: Yellow iridite over cadmium & nickel					
<b>Chain length (in inches/mm)</b> empty: Standard chain length, see table below (H Max) L: 5.0/127.0					

### Dimensions



Size	ØQ maxi		H $\begin{matrix} +0.500''/-0.250'' \\ +12.7/-6.35\text{mm} \end{matrix}$		L maxi		ØN mini	
	inch	mm	inch	mm	inch	mm	inch	mm
8	0.734	18.64	3.00	76.20	0.562	14.27	0.578	14.68
10	0.859	21.82					0.703	17.86
12	1.000	25.40	0.891	22.63				
14	1.125	28.58	1.016	15.81				
16	1.250	31.75	1.141	28.98				
18	1.375	34.92	1.266	32.16				
20	1.500	38.10	4.00	101.60	1.391	35.33		
22	1.625	41.28			1.516	38.51		
24	1.750	44.45			0.602	15.29	1.641	41.68

Note: All dimensions are in inches and millimeters (inch/mm).

# MIL-Spec Products

# Accessories

■ Shield support ring - AS85049/93 .....	108
■ Bushing strip - AS85049/127 .....	109
■ Clamping bands - AS85049/128 .....	110

# AS85049/93 Series Shield support ring - Composite

## Ordering information

Basic Series

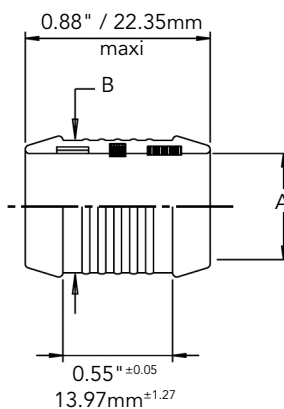
AS85049/93

04

Dash number

04, 06, 08, 10, 12, 14, 16, 18, 20, 22, 24, 26, 28

### Dimensions



Dash number	A $\begin{smallmatrix} \pm.0100" \\ \pm 0.254mm \end{smallmatrix}$		B maxi	
	inch	mm	inch	mm
04	0.250	6.35	0.390	9.9
06	0.375	9.52	0.515	13.1
08	0.500	12.70	0.640	16.3
10	0.625	15.88	0.770	19.6
12	0.750	19.05	0.903	22.9
14	0.875	22.22	1.094	26.5
16	1.000	25.40	1.173	29.8
18	1.125	28.58	1.310	33.3
20	1.250	31.75	1.447	36.8
22	1.375	34.92	1.578	40.1
24	1.500	38.10	1.703	43.3
26	1.625	41.28	1.828	46.4
28	1.750	44.45	1.953	49.6

Note: All dimensions are in inches and millimeters (inch/mm). For complete dimensions, see the applicable Military Specification.

# AS85049/127 Series

## Bushing strip - Silicon rubber

### Ordering information

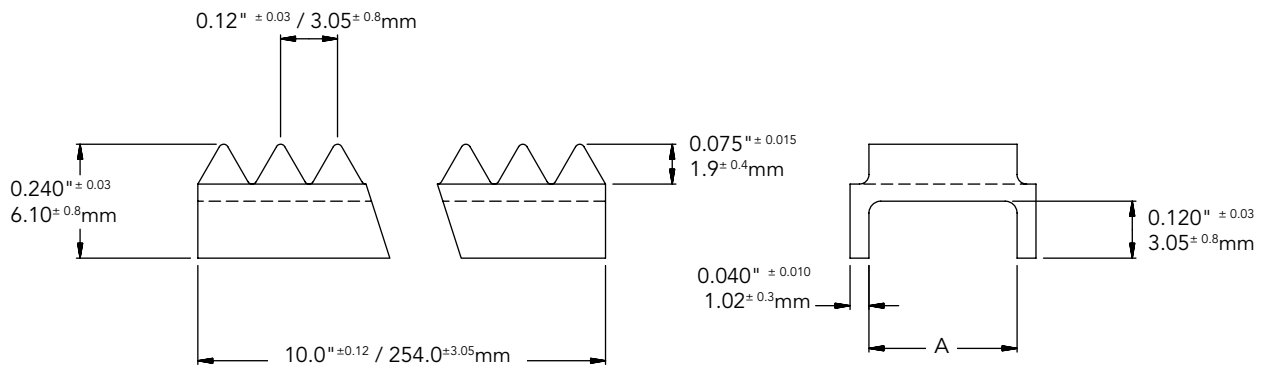
Basic Series

AS85049/127

01

Order: 01, 02, 03

### Dimensions



Order	A $\pm 0.031"$ $\pm 0.8\text{mm}$		Used on size /118, /120, /121, /123	Used on size /124, /126
	inch	mm		
01	0.312	7.92	03-16	09-17
02	0.440	11.18	18-24 & 61	19-25
03	0.560	14.22	28-40	-

Note: All dimensions are in inches and millimeters (inch/mm).

# AS85049/128 Series

## Clamping bands - Stainless steel

### Ordering information

Basic Series

AS85049/128

1

Configuration: 1, 2, 3, 4

### Dimensions



Configuration	A		B $\pm 0.031^*$ $\pm 0.76\text{mm}$		C $\pm 0.010^*$ $\pm 0.25\text{mm}$		D $\pm 0.003^*$ $\pm 0.08\text{mm}$		E $\pm 0.015^*$ $\pm 0.38\text{mm}$		G maxi		H ref	
	inch	mm	inch	mm	inch	mm	inch	mm	inch	mm	inch	mm	inch	mm
1	13.94	354.07	0.328	8.33	0.245	6.22	0.19	0.48	0.100	2.54	-	-	-	-
	14.31	363.47									-	-	-	-
2	-	-	-	-	-	-	-	-	-	-	0.140	3.56	1.750	44.45
3	14.19	360.42	0.350	8.89	0.245	6.22	0.019	0.48	0.074	1.88	-	-	-	-
	14.31	363.47									-	-	-	-
4	-	-	-	-	-	-	-	-	-	-	0.150	3.81	1.750	44.45

Note: All dimensions are in inches and millimeters (inch/mm).

## Notes

A large grid of graph paper for taking notes, consisting of 20 columns and 30 rows of small squares.

# MIL-Spec Products



# Appendix

■ Part Number Index .....	114
---------------------------	-----

## Part number index

### Backshells

AS85049/6.....	P. 14
AS85049/7.....	P. 17
AS85049/8.....	P. 20
AS85049/9.....	P. 23
AS85049/10.....	P. 26
AS85049/11.....	P. 31
AS85049/14.....	P. 36
AS85049/15.....	P. 37
AS85049/16.....	P. 37
AS85049/17.....	P. 38
AS85049/18.....	P. 39
AS85049/19.....	P. 40
AS85049/20.....	P. 41
AS85049/21.....	P. 42
AS85049/23.....	P. 43
AS85049/24.....	P. 46
AS85049/25.....	P. 49
AS85049/26-1.....	P. 54
AS85049/26-2.....	P. 55
AS85049/26-3.....	P. 54
AS85049/27.....	P. 56
AS85049/29.....	P. 57
AS85049/31.....	P. 58
AS85049/33-2.....	P. 60
AS85049/36.....	P. 61
AS85049/37.....	P. 62
AS85049/38.....	P. 63
AS85049/39.....	P. 64
AS85049/42.....	P. 65
AS85049/43.....	P. 66
AS85049/45.....	P. 67
AS85049/46.....	P. 68
AS85049/47.....	P. 69
AS85049/49-2.....	P. 70
AS85049/51.....	P. 71
AS85049/52.....	P. 73
AS85049/53.....	P. 75
AS85049/54.....	P. 75
AS85049/55.....	P. 75
AS85049/57.....	P. 76
AS85049/58.....	P. 77
AS85049/60-1.....	P. 78
AS85049/60-2G.....	P. 79
AS85049/61.....	P. 80
AS85049/62.....	P. 81
AS85049/63.....	P. 82
AS85049/69.....	P. 83
AS85049/76.....	P. 84
AS85049/77.....	P. 85
AS85049/78.....	P. 86
AS85049/79.....	P. 87
AS85049/82.....	P. 88
AS85049/83.....	P. 88
AS85049/84.....	P. 88
AS85049/85.....	P. 89
AS85049/86.....	P. 89
AS85049/87.....	P. 89
AS85049/88.....	P. 90
AS85049/89.....	P. 90
AS85049/90.....	P. 90

AS85049/91.....	P. 91
AS85049/92.....	P. 91
AS85049/103.....	P. 92
AS85049/104.....	P. 92
AS85049/105.....	P. 92

### Protective Cover

AS25042.....	P. 96
AS25043.....	P. 97
D38999/32.....	P. 98
D38999/33.....	P. 99
MS27501.....	P. 100
MS27502.....	P. 101
MS27510.....	P. 102
MS27511.....	P. 103
MS3180.....	P. 104
MS3181.....	P. 105

### Accessories

AS85049/93.....	P. 108
AS85049/127.....	P. 109
AS85049/128.....	P. 110

## Notes

A large grid area for taking notes, consisting of 20 columns and 30 rows of small squares.

## Notes





# Reliable People, Reliable Solutions



Your local contact



Our contribution to environmental protection:  
This catalog is printed on PEFC certified paper  
Advancement of sustainable wood cultivation. [www.pefc.org](http://www.pefc.org)

[www.esterline-connection-technologies.com](http://www.esterline-connection-technologies.com)  
[info@sunbankcorp.com](mailto:info@sunbankcorp.com)



**SUNBANK**



Компания «ЭлектроПласт» предлагает заключение долгосрочных отношений при поставках импортных электронных компонентов на взаимовыгодных условиях!

Наши преимущества:

- Оперативные поставки широкого спектра электронных компонентов отечественного и импортного производства напрямую от производителей и с крупнейших мировых складов;
- Поставка более 17-ти миллионов наименований электронных компонентов;
- Поставка сложных, дефицитных, либо снятых с производства позиций;
- Оперативные сроки поставки под заказ (от 5 рабочих дней);
- Экспресс доставка в любую точку России;
- Техническая поддержка проекта, помощь в подборе аналогов, поставка прототипов;
- Система менеджмента качества сертифицирована по Международному стандарту ISO 9001;
- Лицензия ФСБ на осуществление работ с использованием сведений, составляющих государственную тайну;
- Поставка специализированных компонентов (Xilinx, Altera, Analog Devices, Intersil, Interpoint, Microsemi, Aeroflex, Peregrine, Syfer, Eurofarad, Texas Instrument, Miteq, Cobham, E2V, MA-COM, Hittite, Mini-Circuits, General Dynamics и др.);

Помимо этого, одним из направлений компании «ЭлектроПласт» является направление «Источники питания». Мы предлагаем Вам помощь Конструкторского отдела:

- Подбор оптимального решения, техническое обоснование при выборе компонента;
- Подбор аналогов;
- Консультации по применению компонента;
- Поставка образцов и прототипов;
- Техническая поддержка проекта;
- Защита от снятия компонента с производства.



#### Как с нами связаться

**Телефон:** 8 (812) 309 58 32 (многоканальный)

**Факс:** 8 (812) 320-02-42

**Электронная почта:** [org@eplast1.ru](mailto:org@eplast1.ru)

**Адрес:** 198099, г. Санкт-Петербург, ул. Калинина, дом 2, корпус 4, литера А.