

# Distinctive Characteristics

Brilliant illumination for highly visible status indication with LEDs and caps in red, green, or amber; subdued illumination for low light requirements with white cap over red, green, or amber LEDs.

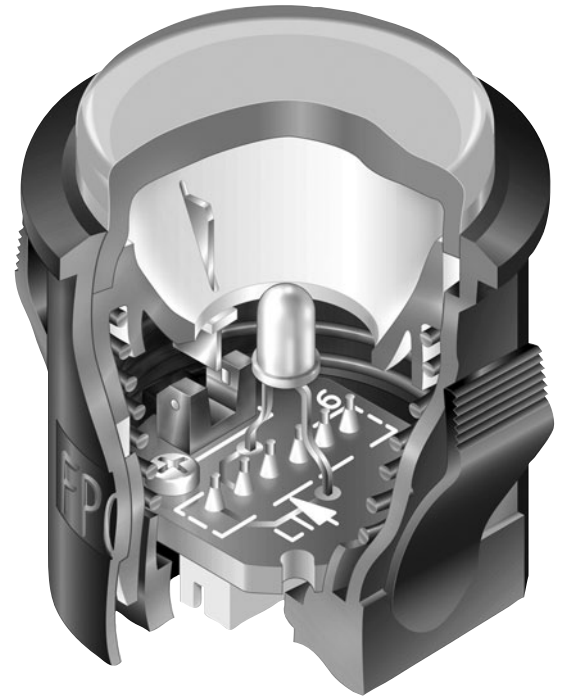
Photo interrupter, rather than contacts, ensures high reliability and long life of 3 million operations minimum.

Rugged construction and smooth actuation allow repeated, rapid actuation force anywhere on cap surface.

Snap-in mounting for easy installation.

Connector socket with 6 pins for simple connection.

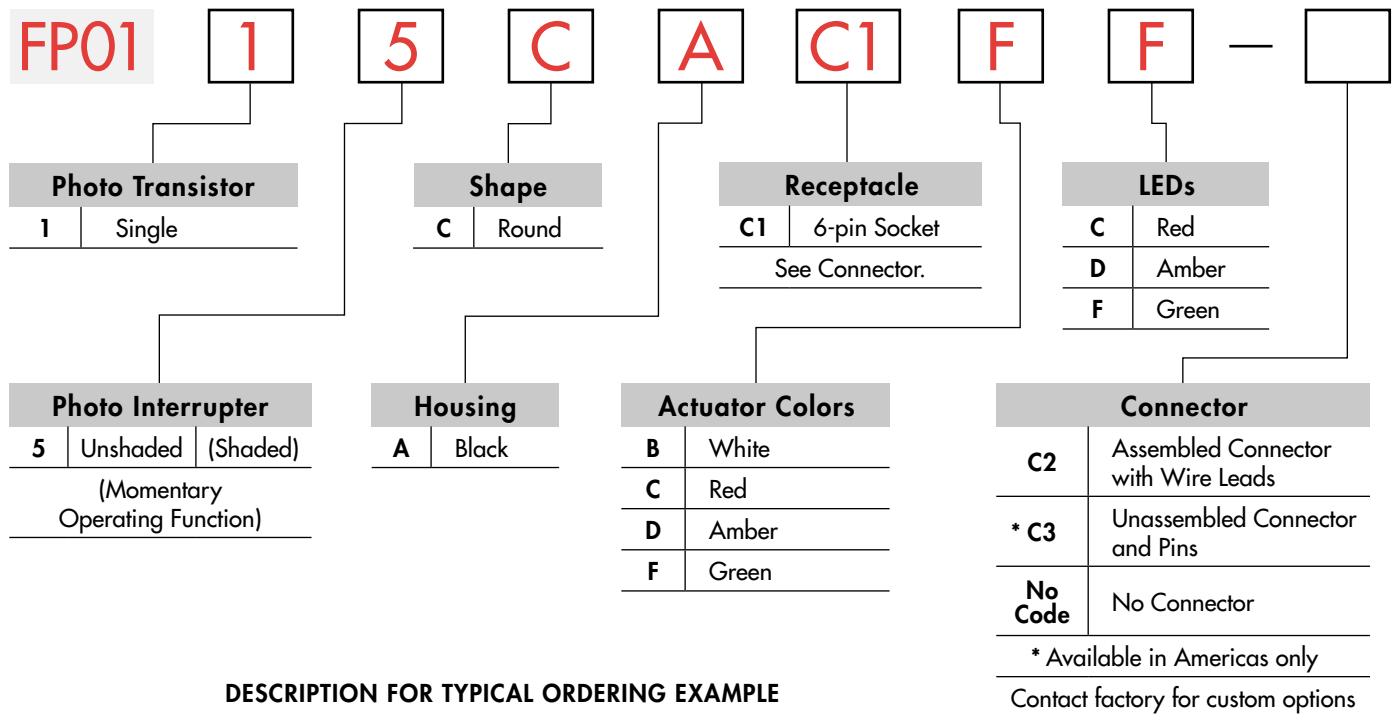
Well suited for gaming and vending machines, as well as equipment exposed to corrosive gases used in environments such as chemical or steel manufacturing plants.



Actual Size



TYPICAL SWITCH ORDERING EXAMPLE



DESCRIPTION FOR TYPICAL ORDERING EXAMPLE

FP0115CAC1FF



ACTUATOR & INTERRUPTER

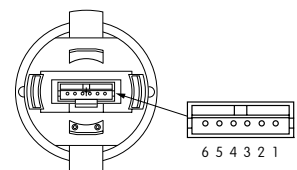
Model	Actuator Position	Photo Interrupter		Schematics
		Normal	Down	
1	Normal Down	Unshaded	Shaded	LED connector pins are 5 & 6; interrupter connector pins are 3-4 & 1-2.
5	Normally Unshaded with Momentary Shaded status			
FP0115	Single Photo Transistor	When shaded, the photo transistor momentarily activates electrical function which signals the external device to change its state.		

HOUSING SHAPE & COLOR

C Round Shape      A Black Housing

RECEPTACLE

C1 6-pin Socket



Toggles

Rockers

Pushbuttons

Illuminated PB

Programmable

Keylocks

Rotaries

Slides

Tactiles

Tilt

Touch

Indicators

Accessories

Supplement

## SWITCH SPECIFICATIONS

	Actuator Up	Actuator Down
Status of Photo Interrupter:	Unshaded	Shaded
Collector Current $I_C$ :	0.8mA minimum	10 $\mu$ A maximum
Status of Photo Transistor:	On	Off
Output Condition of Photo Transistor:	$I_F = 20\text{mA}$ & $V_{CE} = 5\text{V}$	

## MECHANICAL SPECIFICATIONS

Total Travel:	.079" (2.0mm)
Operating Force:	0.75 N (.169 lbf)
Mechanical Life:	3,000,000 operations minimum
Operating Temperature Range:	-25°C through +50°C (-13°F through +122°F)

## MATERIALS

Actuator: Polyacetal    Housing: Polyamide

## PHOTO INTERRUPTER SPECIFICATIONS

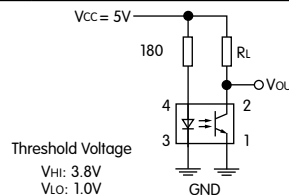
(Temperature @ 25°C)

Electrical & Optical Characteristics	Typical	Maximum	Condition
<b>Input</b>			
Forward Voltage $V_F$ :	1.3V	1.6V	$I_F = 50\text{mA}$
Reverse Current $I_R$ :		10 $\mu$ A	$F_R = 5\text{V}$
<b>Transmission</b>			
Collector-Emitter Saturation Voltage $V_{CE\text{ sat}}$ :		0.4V	$I_F = 20\text{mA}$ & $I_C = 0.1\text{mA}$
<b>Absolute Maximum Ratings</b>			
<b>Input LED</b>		<b>Output Photo Transistor</b>	
Forward Current $I_F$ :	50mA	Collector-Emitter Voltage $V_{CEO}$ :	30V
Reverse Voltage $V_R$ :	5V	Emitter-Collector Voltage $V_{ECO}$ :	4.5V
Power Dissipation $P_D$ :	80mW	Collector Current $I_C$ :	30mA
		Collector Dissipation $P_C$ :	80mW

### Circuit Design Considerations

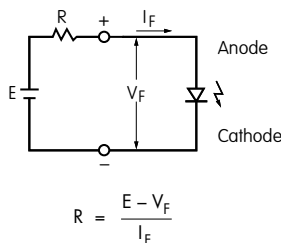
Output of the infrared LED in the photo interrupter decreases approximately 50% after 100,000 hours.

Recommended load resistance (RL) is 40k ~ 120k $\Omega$  for the illustrated circuit.



## LED COLORS & SPECIFICATIONS

LEDs are an integral part of the switch and not available separately. The electrical specifications shown are determined at a basic temperature of 25°C.



Where: R = Resistor Value (Ohms)  
E = Source Voltage (V)  
 $V_F$  = Forward Voltage (V)  
 $I_F$  = Forward Current (A)

If the source voltage exceeds the rated voltage, a ballast resistor is required.

Single Element LED	Color	<b>C</b> Red	<b>D</b> Amber	<b>F</b> Green
Forward Peak Current	$I_{FM}$	30mA	25mA	25mA
Typical Forward Current	$I_F$	20mA	20mA	20mA
Forward Voltage	$V_F$	1.85V	2.0V	2.25V
Reverse Peak Voltage	$V_{RM}$	5V	5V	5V
Current Reduction Rate Above 25°C	$\Delta I_F$	0.38mA /°C	0.28mA /°C	0.40mA /°C
Ambient Temperature Range		-25° ~ +50°C		

## ACTUATOR COLORS

**B** White

**C** Red

**D** Amber

**F** Green

## CONNECTOR OPTIONS

**C2** AT021  
Assembled Connector  
with Wire Leads

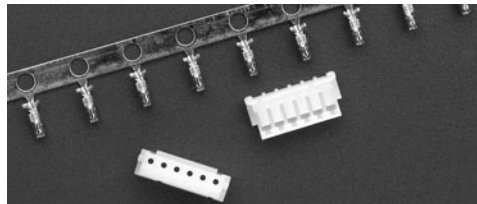
Connector body: JST model ZHR-6  
Crimp connector pins: JST model SZH-002T-P0.5  
Wire leads: 28-26AWG; 12-inch, unstripped;  
Blue for Pin 1



**C3** AT022  
Unassembled Connector  
and Pins

1 connector and 8 crimp connector pins  
only (no wire leads provided).

Matching wire leads: 28-26AWG



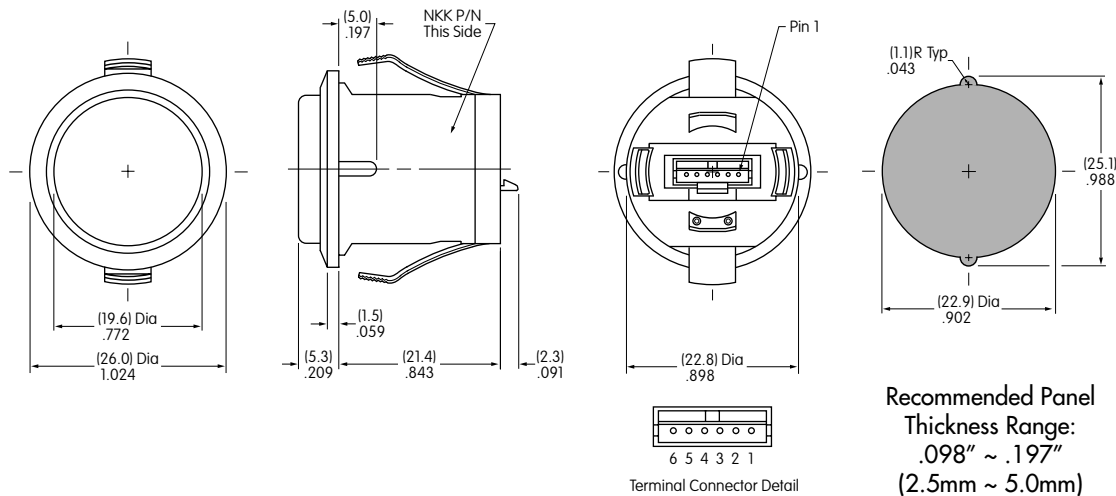
**No Code**

**No Connector**

Recommended connector  
for assembly:  
JST model number ZHR-6

Recommended crimp  
connector pins:  
JST model SZH-002T-P0.5  
for 28-26AWG wire leads  
or SZH-003T-P0.5  
for 32-28AWG wire leads.

## TYPICAL SWITCH DIMENSIONS



**FP0115CAC1FF**

## LEGENDS

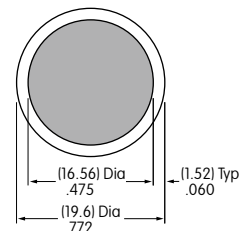
NKK Switches can provide custom legends for caps. Contact factory for more information.

### Suggested Printable Area for FP01 Cap



#### Recommended Methods:

Screen Print on cap.  
Epoxy based ink is recommended.



Shaded area is printable area.



Компания «ЭлектроПласт» предлагает заключение долгосрочных отношений при поставках импортных электронных компонентов на взаимовыгодных условиях!

Наши преимущества:

- Оперативные поставки широкого спектра электронных компонентов отечественного и импортного производства напрямую от производителей и с крупнейших мировых складов;
- Поставка более 17-ти миллионов наименований электронных компонентов;
- Поставка сложных, дефицитных, либо снятых с производства позиций;
- Оперативные сроки поставки под заказ (от 5 рабочих дней);
- Экспресс доставка в любую точку России;
- Техническая поддержка проекта, помощь в подборе аналогов, поставка прототипов;
- Система менеджмента качества сертифицирована по Международному стандарту ISO 9001;
- Лицензия ФСБ на осуществление работ с использованием сведений, составляющих государственную тайну;
- Поставка специализированных компонентов (Xilinx, Altera, Analog Devices, Intersil, Interpoint, Microsemi, Aeroflex, Peregrine, Syfer, Eurofarad, Texas Instrument, Miteq, Cobham, E2V, MA-COM, Hittite, Mini-Circuits, General Dynamics и др.);

Помимо этого, одним из направлений компании «ЭлектроПласт» является направление «Источники питания». Мы предлагаем Вам помощь Конструкторского отдела:

- Подбор оптимального решения, техническое обоснование при выборе компонента;
- Подбор аналогов;
- Консультации по применению компонента;
- Поставка образцов и прототипов;
- Техническая поддержка проекта;
- Защита от снятия компонента с производства.



#### Как с нами связаться

**Телефон:** 8 (812) 309 58 32 (многоканальный)

**Факс:** 8 (812) 320-02-42

**Электронная почта:** [org@eplast1.ru](mailto:org@eplast1.ru)

**Адрес:** 198099, г. Санкт-Петербург, ул. Калинина, дом 2, корпус 4, литера А.