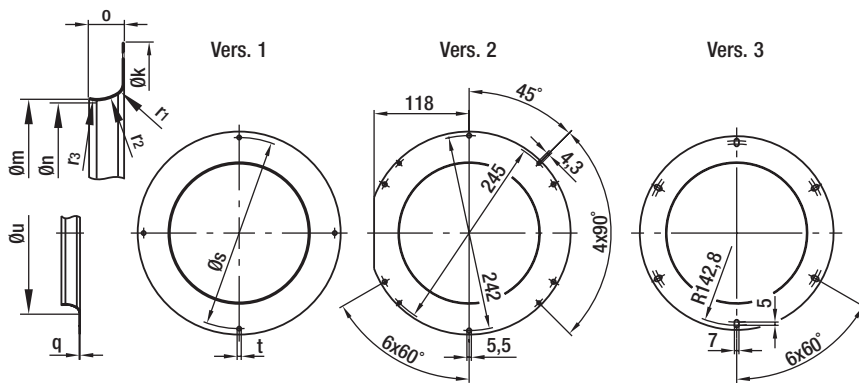


Accessories

| | |
|--------------------------------------------------------------------------|-----|
| Inlet rings | 306 |
| Guard grilles | 309 |
| Lead connections, capacitors | 313 |
| Terminal boxes, air filters | 316 |
| Motor protection switch, speed setting, star-delta switch, repair switch | 317 |



Accessories



- **Material:** galvanised sheet steel

ebm-papst · Mulfingen

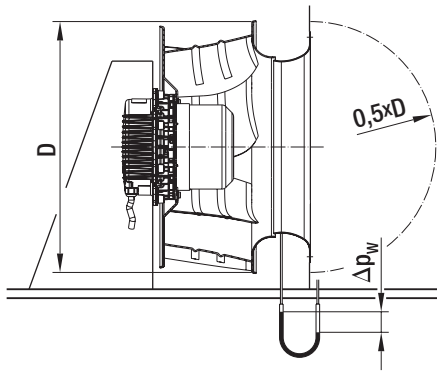
Inlet rings for backward curved centrifugal fans

| Part no. | Size ⁽¹⁾ | Vers. | k | m | n | o | q | r ₁ | r ₂ | r ₃ | s | t | u |
|--------------|------------------------|-------|-----|-------|-------|------|------|----------------|----------------|----------------|-----|--------|-----|
| 96120-2-4013 | 120 (P) | 1 | 146 | 94,4 | --- | 18,0 | 0,80 | 16,0 | --- | --- | 134 | 4x4,5 | 126 |
| 09566-2-4013 | 133 (P) | 1 | 129 | 87,0 | --- | 13,0 | 1,00 | 8,0 | --- | --- | 118 | 4x4,5 | 103 |
| 09576-2-4013 | 175 / 190 (P) | 1 | 170 | 125,5 | --- | 14,0 | 1,25 | 10,0 | --- | --- | 158 | 4x4,5 | 146 |
| 09609-2-4013 | 220 (P) | 2 | 252 | 155,0 | --- | 21,0 | 0,80 | 22,0 | --- | --- | --- | --- | 199 |
| 96358-2-4013 | 225 (P) | 1 | 223 | 146,0 | --- | 28,0 | 1,50 | 25,0 | --- | --- | 210 | 4x4,5 | 196 |
| 96359-2-4013 | 250 (P)(S) | 1 | 255 | 164,5 | --- | 31,0 | 1,50 | 28,0 | --- | --- | 240 | 4x4,5 | 221 |
| 96360-2-4013 | 270 / 280 (S) | 1 | 280 | 182,5 | --- | 35,0 | 1,50 | 31,0 | --- | --- | 260 | 4x4,5 | 245 |
| 97512-2-4013 | 310 (P) | 3 | 300 | 192,0 | --- | 53,0 | 1,00 | 30,0 | 60,0 | --- | --- | --- | 257 |
| 31050-2-4013 | 310 (A) | 1 | 300 | 211,0 | 208,1 | 48,0 | 1,25 | 18,0 | 55,5 | 35,0 | 280 | 4x4,5 | 256 |
| 31051-2-4013 | 310 ⁽²⁾ (A) | 1 | 300 | 211,0 | 209,2 | 27,5 | 1,25 | 10,0 | 32,0 | 20,0 | 280 | 4x4,5 | 236 |
| 51357-2-4013 | 330 / 355 (P) | 1 | 350 | 224,0 | --- | 60,0 | 1,50 | 54,0 | 28,0 | --- | 325 | 4x4,5 | 284 |
| 35560-2-4013 | 355 (A) | 1 | 350 | 240,0 | 236,4 | 60,0 | 1,50 | 22,5 | 70,0 | 44,0 | 325 | 4x4,5 | 296 |
| 35561-2-4013 | 355 ⁽²⁾ (A) | 1 | 350 | 240,0 | 238,0 | 30,0 | 1,50 | 11,0 | 35,0 | 22,0 | 325 | 4x4,5 | 267 |
| 54476-2-4013 | 400 (A) | 1 | 370 | 257,0 | --- | 66,0 | 1,50 | 22,0 | 50,0 | 90,0 | 345 | 4x4,5 | 322 |
| 54478-2-4013 | 450 (A) | 1 | 413 | 287,0 | --- | 71,0 | 1,50 | 25,0 | 55,0 | 100,0 | 390 | 6x9 | 362 |
| 63045-2-4013 | 450 (A) | 1 | 450 | 289,0 | 284,5 | 75,0 | 1,50 | 28,0 | 87,0 | 49,0 | 425 | 6x9 | 360 |
| 54480-2-4013 | 500 (A) | 1 | 520 | 323,0 | --- | 79,0 | 1,50 | 28,0 | 65,0 | 115,0 | 430 | 6x9 | 408 |
| 63072-2-4013 | 500 (A) | 1 | 470 | 342,0 | 337,0 | 75,0 | 2,00 | 28,0 | 87,0 | 55,0 | 445 | 6x9 | 412 |
| 63071-2-4013 | 560 (A) | 1 | 515 | 385,0 | 380,0 | 82,0 | 2,00 | 30,0 | 95,0 | 60,0 | 490 | 6x9 | 461 |
| 63070-2-4013 | 630 (A) | 1 | 634 | 433,0 | 427,0 | 98,5 | 2,00 | 37,0 | 14,0 | 72,0 | 600 | 6x10,5 | 525 |

subject to alterations

⁽¹⁾ size with key for impeller material: (P) = plastic, (S) = sheet steel, (A) = aluminium

⁽²⁾ short inlet ring



The differential pressure approach compares the static pressure before the inlet ring with the static pressure inside the inlet ring. Air flow can be calculated on the basis of the differential pressure (difference in pressure of the static pressures) in keeping with the following equation:

$$\dot{V} = k \cdot \sqrt{\Delta p_w} \quad \dot{V} \text{ [m}^3/\text{h]} \text{ and } \Delta p_w \text{ [Pa]}$$

If constant air flow is to be controlled to, then the nozzle pressure has to be kept constant:

$$\Delta p_w = \dot{V}^2 : k^2$$

k takes into account the specific nozzle characteristics.

1 resp. 4 pressure measuring points are spaced along the circumference of the inlet ring. Connection on the customer side is accomplished via a premounted T tube connector. This tube connector is suited for pneumatic hoses with an internal diameter of 4 mm.

ebm-papst • Muldingen

Inlet rings with measuring device to determine air flow for backward curved centrifugal fans

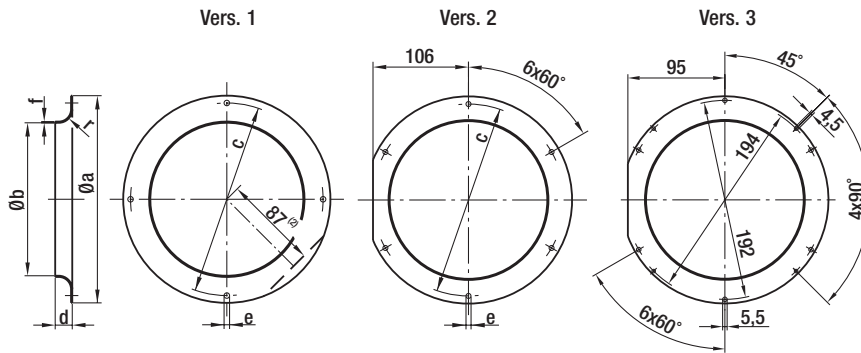
| Part no. with 1 nozzle | Part no. with ring line | Size | k-value | Dimensions see |
|-----------------------------|-----------------------------|------|---------|----------------|
| 25002-2-4013 | 25001-2-4013 | 250 | 69 | 96359-2-4013 |
| 28002-2-4013 | 28001-2-4013 | 280 | 88 | 96360-2-4013 |
| 31100-2-4013 | 31080-2-4013 | 310 | 120 | 31050-2-4013 |
| 31110-2-4013 ⁽¹⁾ | 31090-2-4013 ⁽¹⁾ | 310 | 103 | 31051-2-4013 |
| 35600-2-4013 | 35580-2-4013 | 355 | 155 | 35560-2-4013 |
| 35610-2-4013 ⁽¹⁾ | 35590-2-4013 ⁽¹⁾ | 355 | 138 | 35561-2-4013 |
| 54515-2-4013 | 54500-2-4013 | 400 | 183 | 54476-2-4013 |
| 54514-2-4013 | 54510-2-4013 | 450 | 217 | 54478-2-4013 |
| 64015-2-4013 | 64005-2-4013 | 450 | 214 | 63045-2-4013 |
| 54518-2-4013 | 54516-2-4013 | 500 | 265 | 54480-2-4013 |
| 64025-2-4013 | 64002-2-4013 | 500 | 283 | 63072-2-4013 |
| 64030-2-4013 | 64001-2-4013 | 560 | 350 | 63071-2-4013 |
| 64040-2-4013 | 64000-2-4013 | 630 | 480 | 63070-2-4013 |

subject to alterations

⁽¹⁾ short inlet ring

Accessories

- **Material:** galvanised sheet steel



ebm-papst • Mulfingen

Inlet rings for forward curved centrifugal fans

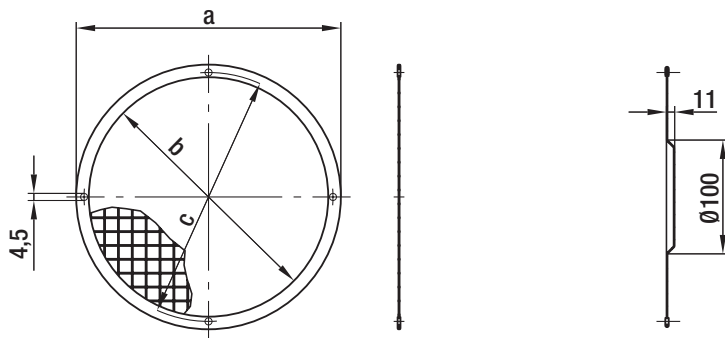
| Part no. | Size | Vers. | a | b | c | d | e | f | r |
|--------------|--------------------------|------------------|-----|-------|-----|----|-------|------|------|
| 09560-2-4013 | 076 / 085 ⁽¹⁾ | 1 | 92 | 63,4 | 84 | 6 | 3x4,2 | 0,80 | 6,8 |
| 09563-2-4013 | 097 ⁽¹⁾ | 1 | 116 | 80,0 | 108 | 10 | 3x4,5 | 0,80 | 10,0 |
| 09566-2-4013 | 108 | 1 | 129 | 87,0 | 118 | 13 | 4x4,5 | 1,00 | 8,0 |
| 09569-2-4013 | 120 | 1 | 142 | 100,0 | 132 | 9 | 4x4,5 | 1,00 | 8,0 |
| 09572-2-4013 | 133 | 1 | 150 | 112,0 | 142 | 12 | 4x4,5 | 1,00 | 10,0 |
| 09576-2-4013 | 140 / 146 | 1 | 170 | 125,5 | 158 | 14 | 4x4,5 | 1,25 | 10,0 |
| 09588-2-4013 | 160 | 1 ⁽²⁾ | 185 | 130,0 | 175 | 17 | 4x4,5 | 0,75 | 12,0 |
| 09597-2-4013 | 180 | 3 | 210 | 149,0 | --- | 28 | --- | 1,25 | 25,0 |
| 09605-2-4013 | 200 / 225 | 2 | 230 | 175,0 | 213 | 24 | 6x5,5 | 1,25 | 20,0 |

subject to alterations

⁽¹⁾ 3 drilled holes staggered by 120°

⁽²⁾ dimension 87 only with 09588-2-4013

Accessories



⁽⁴⁾ Size 160

- **Material:** welded grille made of galvanised steel, frame made of tinned sheet iron 0.3 mm thick

ebm-papst • Mulfingen

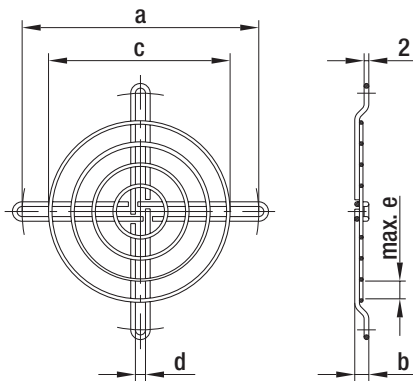
Guard grilles for centrifugal blowers with single inlet

| Part no. | Size | a | b | c |
|--------------|--------------------------|-----|-----|-----|
| 09489-2-4039 | 076 / 085 ⁽³⁾ | 90 | 74 | 84 |
| 09490-2-4039 | 108 | 126 | 110 | 118 |
| 09494-2-4039 | 120 | 140 | 124 | 132 |
| 09492-2-4039 | 140 / 146 | 168 | 152 | 158 |
| 09503-2-4039 | 160 ⁽⁴⁾ | 183 | 170 | 175 |
| 09493-2-4039 | 180 ⁽⁵⁾ | 205 | 189 | 194 |

subject to alterations

⁽³⁾ 3 drilled holes staggered by 120°

⁽⁴⁾ not suitable for G2E180-EH03-01



- **Material:** steel wire

ebm-papst • Mulfingen

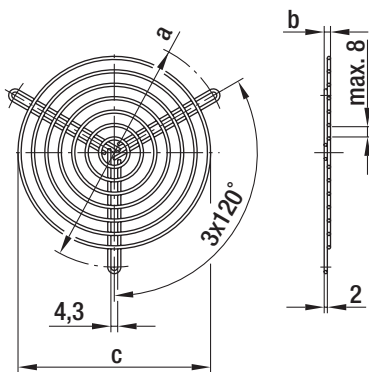
Guard grilles for centrifugal blowers with single inlet

| Part no. | Size | Coating | a | b | c | d | e |
|--------------|--------------------|----------------------------------------------|-----|------|-----|-----|---|
| 09603-2-4039 | 076 / 085 | plastic coated, silver-metallic gloss | 101 | 6,0 | 79 | 4,3 | 8 |
| 98214-2-4039 | 108 | plastic coated, silver-metallic gloss | 120 | 3,5 | 88 | 4,3 | 8 |
| 25028-2-4039 | 140 / 146 | galvanised, chromatised in blue | 162 | 8,5 | 139 | 4,3 | 8 |
| 17729-2-4039 | 160 | galvanised, chromatised in blue | 175 | 3,5 | 139 | 4,6 | 7 |
| 09526-2-4039 | 180 ⁽⁶⁾ | phosphatized, plastic coated in RAL no. 9005 | 194 | 39,5 | 164 | 4,3 | 8 |

subject to alterations

⁽⁶⁾ only suitable for G2E180-EH03-01

Accessories



- **Material:** steel wire

ebm-papst • Mulfingen

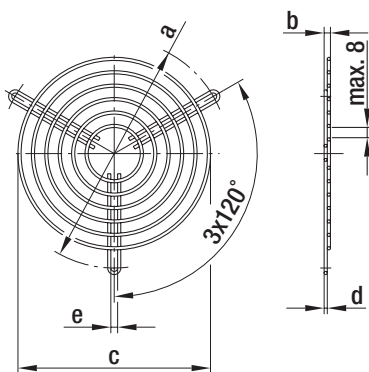
Guard grilles for centrifugal blowers with dual inlet

| Part no. | Size | Coating | a | b | c |
|--------------|--------------------|----------------------------------------------|-----|-----|-----|
| 83319-2-4039 | 097 ⁽¹⁾ | phosphatized, plastic coated in RAL no. 9005 | 96 | 3,5 | 71 |
| 09485-2-4039 | 097 ⁽²⁾ | phosphatized, plastic coated in RAL no. 9005 | 114 | 3,5 | 88 |
| 09500-2-4039 | 133 / 146 | phosphatized, plastic coated in RAL no. 9005 | 145 | 4,0 | 122 |
| 31003-2-4039 | 180 | phosphatized, plastic coated in RAL no. 9005 | 192 | 9,5 | 174 |
| 95644-2-4039 | 200 | plastic coated, silver-metallic gloss | 250 | 5,0 | 206 |

subject to alterations

⁽¹⁾ for D2E097-CH

⁽²⁾ for D2E097-B*



- **Material:** phosphatized steel wire, plastic coated, silver-metallic gloss

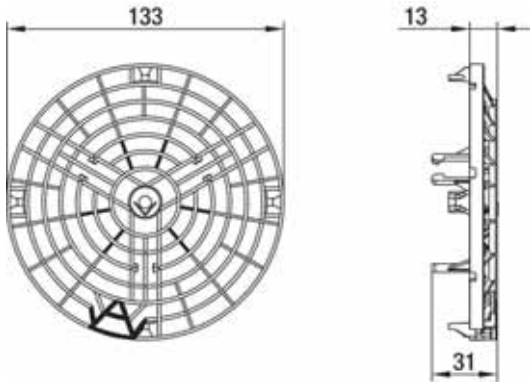
ebm-papst • Mulfingen

Guard grilles for centrifugal blowers with dual inlet (EW sheet steel support)

| Part no. | Size | a | b | c | d | e |
|--------------|-----------|-----|----|-----|-----|-----|
| 35000-2-4039 | 160 | 182 | 12 | 144 | 2,4 | 4,5 |
| 62226-2-4039 | 180 | 192 | 9 | 173 | 3,0 | 5,2 |
| 62227-2-4039 | 200 | 213 | 9 | 190 | 3,0 | 5,2 |
| 62228-2-4039 | 225 / 240 | 242 | 9 | 222 | 3,0 | 5,2 |
| 25825-2-4039 | 250 | 275 | 9 | 255 | 3,0 | 5,2 |

subject to alterations

Accessories



- **Material:** PA6.6, fibre-glass reinforced V0, black
- **Special feature:** triangular, raised contour
- **Suitable for:**
D2E140-HR; D2E146-KA; D2E146-KB;
D2E146-HR; D2E146-HS; D2E146-HT;
D4E146-LV; K4E146-AB; D4E160-HN

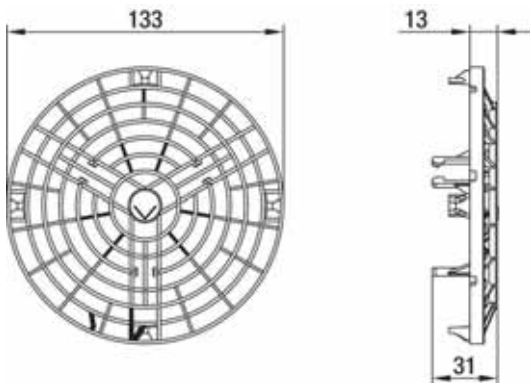
ebm-papst · Muldingen

Guard grilles for blowers with dual inlet with plastic housing (cable exit side of blower)

Part no.

34265-2-2929

subject to alterations



- **Material:** PA6.6, fibre-glass reinforced V0, black
- **Special feature:** outmost two rings are closed
- **Suitable for:**
D2E140-HR; D2E146-KA; D2E146-KB;
D2E146-HR; D2E146-HS; D2E146-HT;
D4E146-LV; K4E146-AB; D4E160-HN

ebm-papst · Muldingen

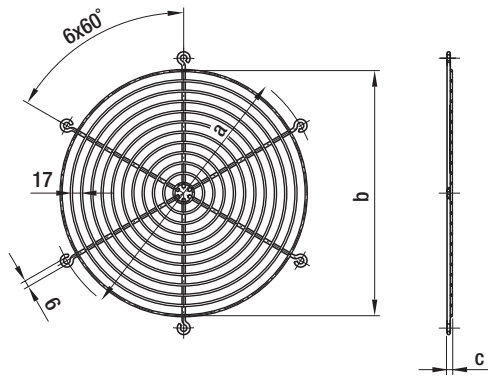
Guard grilles for blowers with dual inlet with plastic housing (side of blower opposite cable exit)

Part no.

38182-2-2929

subject to alterations

Accessories



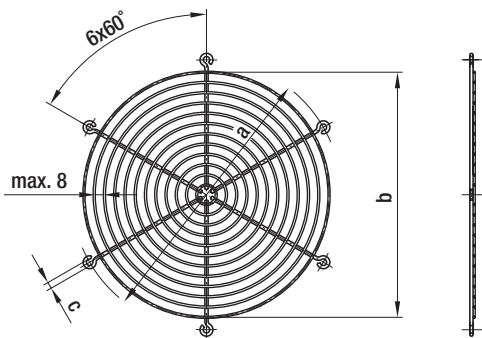
- **Material:** steel wire

ebm-papst • Mulfingen

Guard grilles (e.g. for backward curved centrifugal fans)

| Part no. | Size | Coating | a | b | c |
|--------------|-----------|----------------------------------------------|-----|-----|----|
| 65152-2-4039 | 250 | galvanised | 250 | 172 | 5 |
| 53526-2-4039 | 280 / 310 | galvanised | 290 | 210 | 10 |
| 54329-2-4039 | 355 | phosphatized, plastic coated in RAL no. 9005 | 328 | 286 | 10 |
| 54328-2-4039 | 400 | phosphatized, plastic coated in RAL no. 9005 | 366 | 286 | 10 |

subject to alterations



- **Material:** phosphatized steel wire, plastic coated in RAL no. 9005, black

ebm-papst • Mulfingen

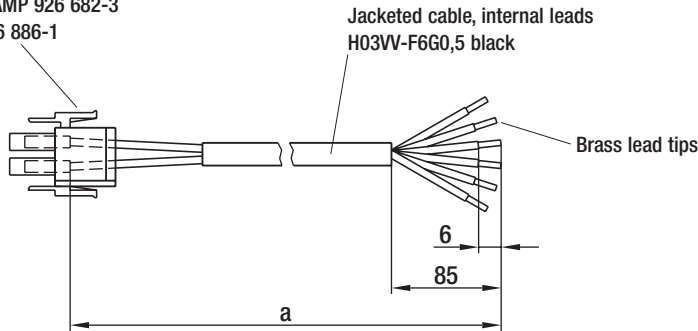
Guard grilles (e.g. for axial fans)

| Part no. | Size | a | b | c |
|--------------|------|-----|-----|---|
| 09513-2-4039 | 200 | 250 | 227 | 6 |
| 09518-2-4039 | 250 | 295 | 265 | 7 |
| 09532-2-4039 | 300 | 380 | 323 | 9 |

subject to alterations

Accessories

AMP-Universal-Mate-N-Lok suitable for:
connector shell AMP 926 682-3
plug pin AMP 926 886-1



- **Suitable for:**
D2E 140 -HR; D2E 146 -KA; D2E 146 -KB;
D2E 146 -HR; D2E 146 -HS; D2E 146 -HT;
D2E 160 -FI; D2E 160 -FK
- **Plug assignment:**
1 = Step 1 (white)
2 = Step 2 (red)
3 = Step 3 (grey)
4 = Step 4 (black)
5 = N (blue)
6 = PE (green/yellow)

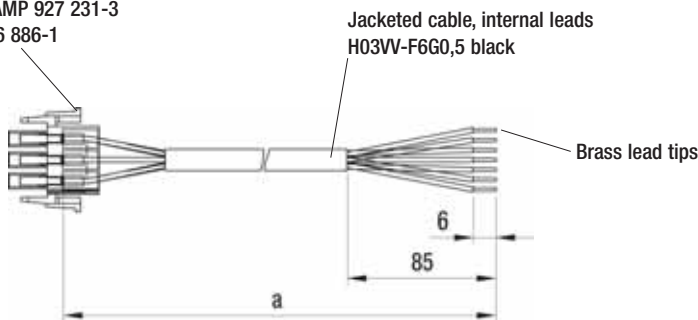
ebm-papst • Muldingen

Lead connections for centrifugal blowers

| Part no. | a |
|--------------|------|
| 21956-4-1040 | 300 |
| 21957-4-1040 | 450 |
| 21958-4-1040 | 650 |
| 21959-4-1040 | 1000 |

subject to alterations

AMP-Universal-Mate-N-Lok suitable for:
connector shell AMP 927 231-3
plug pin AMP 926 886-1



- **Suitable for:**
D4E 146 -LV; K4E 146 -AB
- **Plug assignment:**
1 = Step 1 (white)
2 = Step 2 (red)
3 = Step 3 (grey)
4 = Step 4 (orange)
5 = Step 5 (black)
8 = N (blue)
9 = PE (green/yellow)

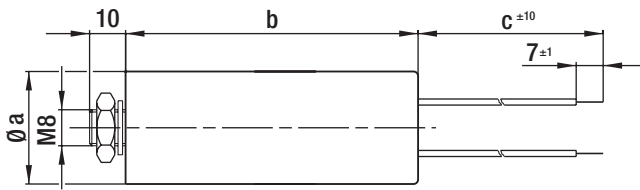
ebm-papst • Muldingen

Lead connections for centrifugal blowers

| Part no. | a |
|--------------|------|
| 21810-4-1012 | 450 |
| 21811-4-1012 | 1050 |
| 21812-4-1012 | 1300 |
| 21813-4-1012 | 1600 |
| 21814-4-1012 | 2300 |

subject to alterations

Accessories



- **Material:** housing made of thermoplast
- **Connection lead:** multi-lead PVC cable 0.5 mm² (16x 0.2 mm²) with brass lead tips
- **Approval:** VDE according to DIN EN 60252 (VDE 0560/8)
- **Calculated life time:**
400 V; -25..+85°C; 30,000 hrs; class A
450 V; -25..+85°C; 10,000 hrs; class B

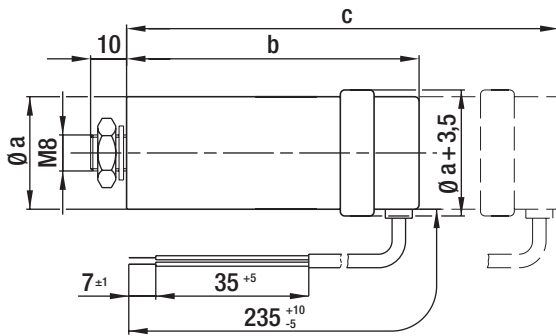
ebm-papst • Muldingen

MKP motor capacitors (without fuse)

| Part no. | Capacity | a | b (max.) | c |
|--------------|----------|-------|----------|-----|
| 02100-4-7320 | 1,0 µF | 25-28 | 58 | 235 |
| 99282-4-7320 | 1,5 µF | 25-28 | 58 | 235 |
| 99283-4-7320 | 2,0 µF | 25-28 | 58 | 235 |
| 02103-4-7320 | 2,5 µF | 25-28 | 70 | 235 |
| 68462-4-7320 | 3,0 µF | 25-28 | 70 | 235 |
| 99284-4-7320 | 4,0 µF | 28-32 | 58 | 235 |
| 02101-4-7320 | 5,0 µF | 30-36 | 70 | 235 |
| 99285-4-7320 | 6,0 µF | 30-36 | 70 | 235 |
| 66788-4-7320 | 7,0 µF | 30-36 | 72 | 100 |
| 99286-4-7320 | 8,0 µF | 35-40 | 72 | 235 |
| 99287-4-7320 | 10,0 µF | 35-40 | 72 | 200 |
| 66786-4-7320 | 12,0 µF | 40 | 72 | 100 |
| 30457-4-7320 | 14,0 µF | 40-45 | 92 | 150 |
| 50090-4-7320 | 16,0 µF | 35-40 | 95 | 100 |
| 90034-4-7320 | 20,0 µF | 40 | 95 | 235 |
| 90025-4-7320 | 25,0 µF | 40 | 120 | 235 |

subject to alterations

Accessories

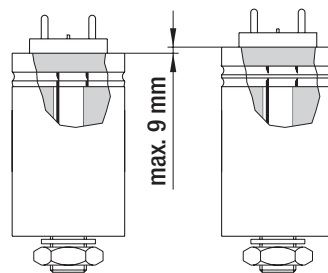


- **Material:** plastic cap, aluminium cup
- **Designation:** FPU or P2 according to IEC 252 (non-flammable, non-explosive, circuit-breaking)
- **Approval:** VDE according to DIN EN 60252 (VDE 0560/8)
- **Calculated life time:**
 420 V; -25...+85°C; 30,000 hrs; class A
 470 V; -25...+85°C; 10,000 hrs; class B
 500 V; -25...+85°C; 3,000 hrs; class C

ebm-papst • Muldingen

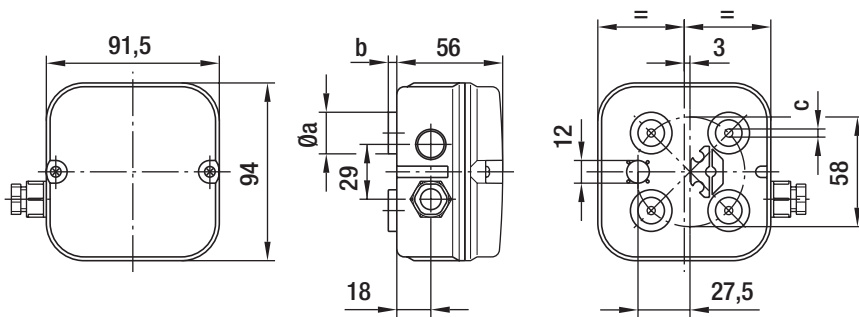
| Part no. | Capacity | a | b (max.) | c (max.) |
|--------------|----------|-------|----------|----------|
| 02151-4-7320 | 1,0 µF | 25-30 | 77 | 92 |
| 02155-4-7320 | 1,5 µF | 25 | 77 | 92 |
| 02156-4-7320 | 2,0 µF | 25 | 77 | 92 |
| 02159-4-7320 | 2,5 µF | 30 | 71 | 92 |
| 02160-4-7320 | 3,0 µF | 30 | 71 | 92 |
| 02161-4-7320 | 4,0 µF | 25-30 | 104 | 135 |
| 02162-4-7320 | 5,0 µF | 25-30 | 104 | 113 |
| 02163-4-7320 | 6,0 µF | 30 | 101 | 110 |
| 02164-4-7320 | 7,0 µF | 30-35 | 101 | 110 |
| 02165-4-7320 | 8,0 µF | 30-35 | 102 | 111 |
| 02166-4-7320 | 10,0 µF | 35 | 96 | 110 |
| 02167-4-7320 | 12,0 µF | 35 | 96 | 110 |
| 90026-4-7320 | 14,0 µF | 40 | 130 | 139 |
| 02168-4-7320 | 16,0 µF | 40 | 96 | 130 |
| 02169-4-7320 | 20,0 µF | 40 | 116 | 130 |
| 02170-4-7320 | 25,0 µF | 40-45 | 116 | 130 |

subject to alterations



- **Pull-off protector:** The housing expands by max. 9mm. The protector responds to overload by the generated excess pressure snapping off the internal lead in a predetermined breaking point.
- **Mounting:** c is the overall dimension of the capacitor which has to be taken into account when mounting the part. The capacitor design, however, depends on the manufacturer. The expansion (9mm) is either added to dimension b, or it is already integrated in the capacitor.

Accessories



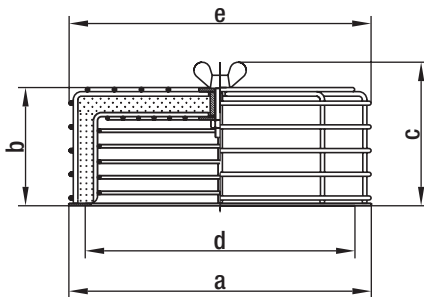
- **Description:** Two-piece terminal box for AC motors of size 068 or 074, terminal strip with 4- or 7-pole. Suitable for installation of capacitor with 10 µF max.
- **Material:** ABS
- **Type of protection:** IP 54

ebm-papst • Muldingen

Terminal boxes

| Part no. | AC motor | a | b | c |
|--------------|---------------|---------|------|-----|
| 64442-1-7612 | 068 (4-polig) | 22 | 5,0 | 4,3 |
| 64444-1-7612 | 068 (7-polig) | 22 | 5,0 | 4,3 |
| 64443-1-7612 | 074 (4-polig) | 12x14,5 | 10,5 | 5,5 |
| 64445-1-7612 | 074 (7-polig) | 12x14,5 | 10,5 | 5,5 |

subject to alterations



- **Material:** steel wire / sheet steel, plastic coated in RAL no. 9005, black
- **Filter:** Viledon filter type R: PSB / 29 OS (according to DIN 24185)
separation capacity: < 86 %
efficiency: < 20 %
dust binding capacity: 650 g/m²

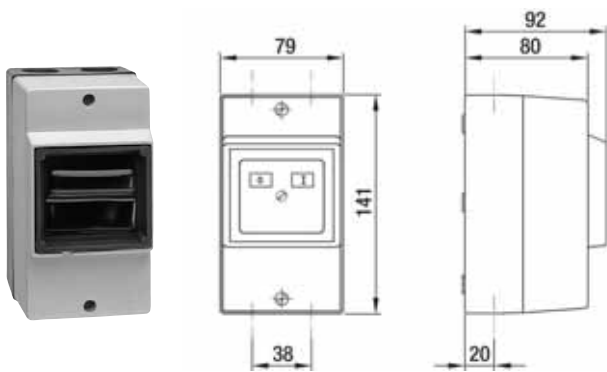
ebm-papst • Muldingen

Air filters for centrifugal blowers (with die-cast aluminium housing)

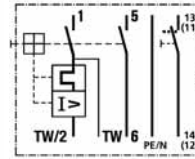
| Part no. | Size | a | b | c | d | e | Spare filter |
|--------------|-----------------|-----|----|----|---------|-----|--------------|
| 95777-1-5171 | 108 / 120 | 142 | 66 | 83 | 118-132 | 145 | 95779-1-5171 |
| 95778-1-5171 | 140 / 146 / 160 | 185 | 74 | 91 | 158-175 | 185 | 95780-1-5171 |
| 95347-1-5171 | 180 | 210 | 74 | 91 | 194 | 185 | 95780-1-5171 |

subject to alterations

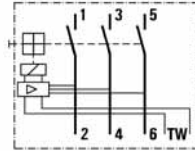
Accessories



Electr. connection TPE...



Electr. connection TPD...



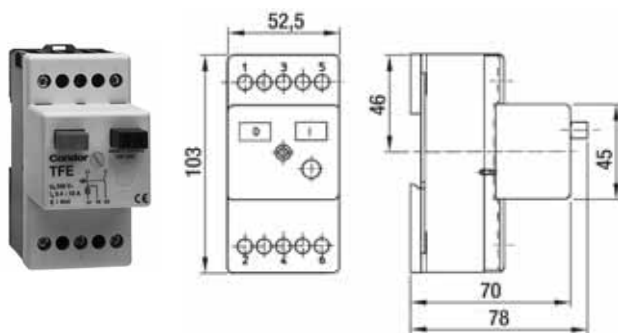
- **Technical features:**
Input for TOP
- **Type of protection:** IP 55

ebm-papst • Mulfingen

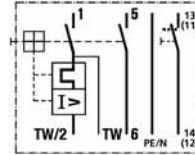
Motor protection switch for wall assembly (single-phase and three-phase)

| Type | Voltage | Current | Auxiliary contactor |
|------------------|-----------------------|---------|-----------------------------|
| TPE 100-AA01 -01 | 1~ 230 VAC (50/60 Hz) | 10 A | without auxiliary contactor |
| TPE 100-AA01 -02 | 1~ 230 VAC (50/60 Hz) | 10 A | with NC contact |
| TPE 100-AA01 -03 | 1~ 230 VAC (50/60 Hz) | 10 A | with NO contact |
| TPD 250-AA01 -01 | 3~ 400 VAC (50/60 Hz) | 25 A | without auxiliary contactor |
| TPD 250-AA01 -02 | 3~ 400 VAC (50/60 Hz) | 25 A | with NC contact |
| TPD 250-AA01 -03 | 3~ 400 VAC (50/60 Hz) | 25 A | with NO contact |

subject to alterations



Electr. connection TPE...



- **Technical features:**
Input for TOP

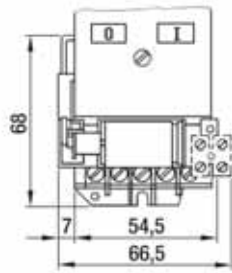
ebm-papst • Mulfingen

Motor protection switch for assembly inside a cabinet (single-phase)

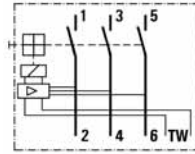
| Type | Voltage | Current | Auxiliary contactor |
|------------------|-----------------------|---------|-----------------------------|
| TPE 100-AB01 -01 | 1~ 230 VAC (50/60 Hz) | 10 A | without auxiliary contactor |
| TPE 100-AB01 -02 | 1~ 230 VAC (50/60 Hz) | 10 A | with NC contact |
| TPE 100-AB01 -03 | 1~ 230 VAC (50/60 Hz) | 10 A | with NO contact |

subject to alterations

Accessories



Electr. connection TPD...



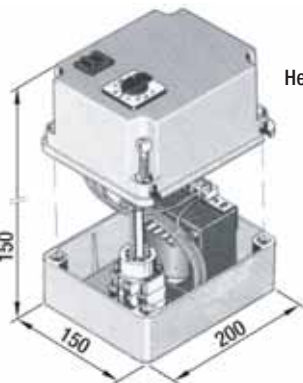
- **Technical features:**
Input for TOP

ebm-papst • Mulfingen

Motor protection switch for assembly inside a cabinet (3-phase current)

| Type | Voltage | Current | Auxiliary contactor |
|------------------|-----------------------|---------|-----------------------------|
| TPD 250-AB01 -01 | 3~ 400 VAC (50/60 Hz) | 25 A | without auxiliary contactor |
| TPD 250-AB01 -02 | 3~ 400 VAC (50/60 Hz) | 25 A | with NC contact |
| TPD 250-AB01 -03 | 3~ 400 VAC (50/60 Hz) | 25 A | with NO contact |

subject to alterations



Height of switch 25 mm

- **Technical features:**
Input for TOP
- **Voltage steps:**
230 / 160 / 145 / 130 / 105 VAC
- **Type of protection:** IP 54

ebm-papst • Mulfingen

Single-phase speed setting for wall assembly (with 5 steps)

| Type | Voltage | Current | Mass |
|------------------|-----------------------|---------|--------|
| TCE 021-AA01 -05 | 1~ 230 VAC (50/60 Hz) | 2,1 A | 3,5 kg |
| TCE 040-AA01 -05 | 1~ 230 VAC (50/60 Hz) | 4,0 A | 6,0 kg |
| TCE 075-AA01 -05 | 1~ 230 VAC (50/60 Hz) | 7,5 A | 7,5 kg |

subject to alterations

Accessories



Height of switch 25 mm

- **Technical features:**
Input for TOP
- **Voltage steps:**
400 / 280 / 230 / 180 / 140 VAC (3x)
- **Type of protection:** IP 21 (with vertical installation)

ebm-papst · Mulfingen

3-phase current speed setting for wall assembly (with 5 steps)

| Type | Voltage | Current | Mass |
|------------------|-----------------------|---------|---------|
| TCD 020-AA01 -05 | 3~ 400 VAC (50/60 Hz) | 2,0 A | 9,5 kg |
| TCD 040-AA01 -05 | 3~ 400 VAC (50/60 Hz) | 4,0 A | 11,5 kg |
| TCD 070-AA01 -05 | 3~ 400 VAC (50/60 Hz) | 7,0 A | 21,0 kg |

subject to alterations

Star-delta switch

Möller Electric GmbH

| Designation | Installation |
|--------------|----------------------|
| T0-4-8410/I1 | Wall installation |
| T0-4-8410/E | Cabinet installation |

subject to alterations

Repair switch (lockable)

Möller Electric GmbH

| Designation | Installation |
|---------------------|----------------------|
| T0-2-8900/I1/SVB-SW | Wall installation |
| T0-2-8900/EA/SVB-SW | Cabinet installation |

subject to alterations



Компания «ЭлектроПласт» предлагает заключение долгосрочных отношений при поставках импортных электронных компонентов на взаимовыгодных условиях!

Наши преимущества:

- Оперативные поставки широкого спектра электронных компонентов отечественного и импортного производства напрямую от производителей и с крупнейших мировых складов;
- Поставка более 17-ти миллионов наименований электронных компонентов;
- Поставка сложных, дефицитных, либо снятых с производства позиций;
- Оперативные сроки поставки под заказ (от 5 рабочих дней);
- Экспресс доставка в любую точку России;
- Техническая поддержка проекта, помощь в подборе аналогов, поставка прототипов;
- Система менеджмента качества сертифицирована по Международному стандарту ISO 9001;
- Лицензия ФСБ на осуществление работ с использованием сведений, составляющих государственную тайну;
- Поставка специализированных компонентов (Xilinx, Altera, Analog Devices, Intersil, Interpoint, Microsemi, Aeroflex, Peregrine, Syfer, Eurofarad, Texas Instrument, Miteq, Cobham, E2V, MA-COM, Hittite, Mini-Circuits, General Dynamics и др.);

Помимо этого, одним из направлений компании «ЭлектроПласт» является направление «Источники питания». Мы предлагаем Вам помощь Конструкторского отдела:

- Подбор оптимального решения, техническое обоснование при выборе компонента;
- Подбор аналогов;
- Консультации по применению компонента;
- Поставка образцов и прототипов;
- Техническая поддержка проекта;
- Защита от снятия компонента с производства.



Как с нами связаться

Телефон: 8 (812) 309 58 32 (многоканальный)

Факс: 8 (812) 320-02-42

Электронная почта: org@eplast1.ru

Адрес: 198099, г. Санкт-Петербург, ул. Калинина, дом 2, корпус 4, литера А.