

4

3

2

1

THIS DRAWING IS UNPUBLISHED. RELEASED FOR PUBLICATION
 © COPYRIGHT 2011 BY TYCO ELECTRONICS CORPORATION. ALL RIGHTS RESERVED.

LOC	DIST	REVISIONS					
DW		P	LTR	DESCRIPTION	DATE	DWN	APVD
		C		REV PER ECO-14-017393	04AUG2014	L.L.	S.H.

D

C

B

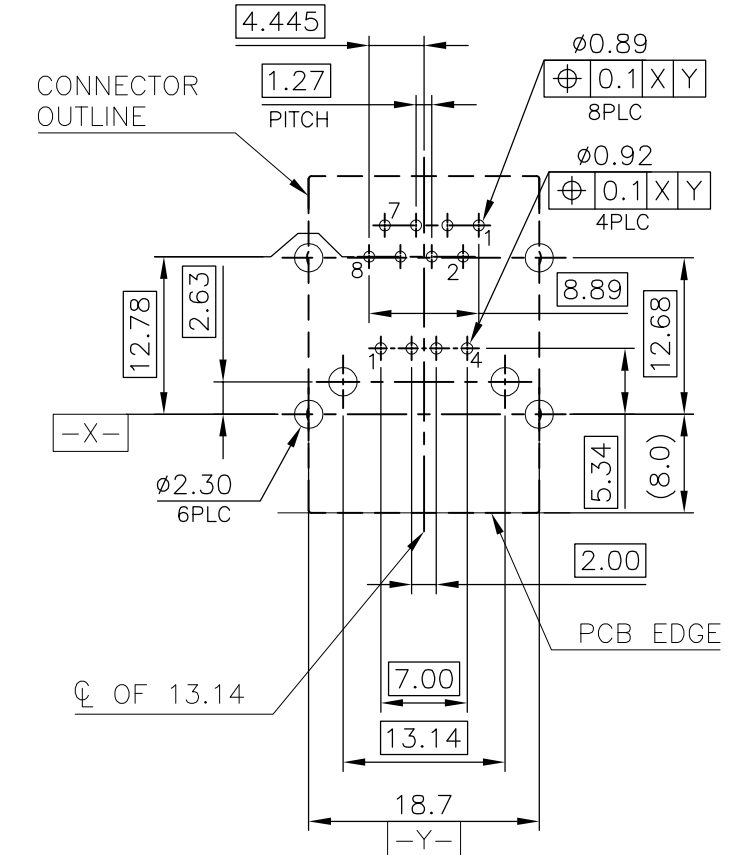
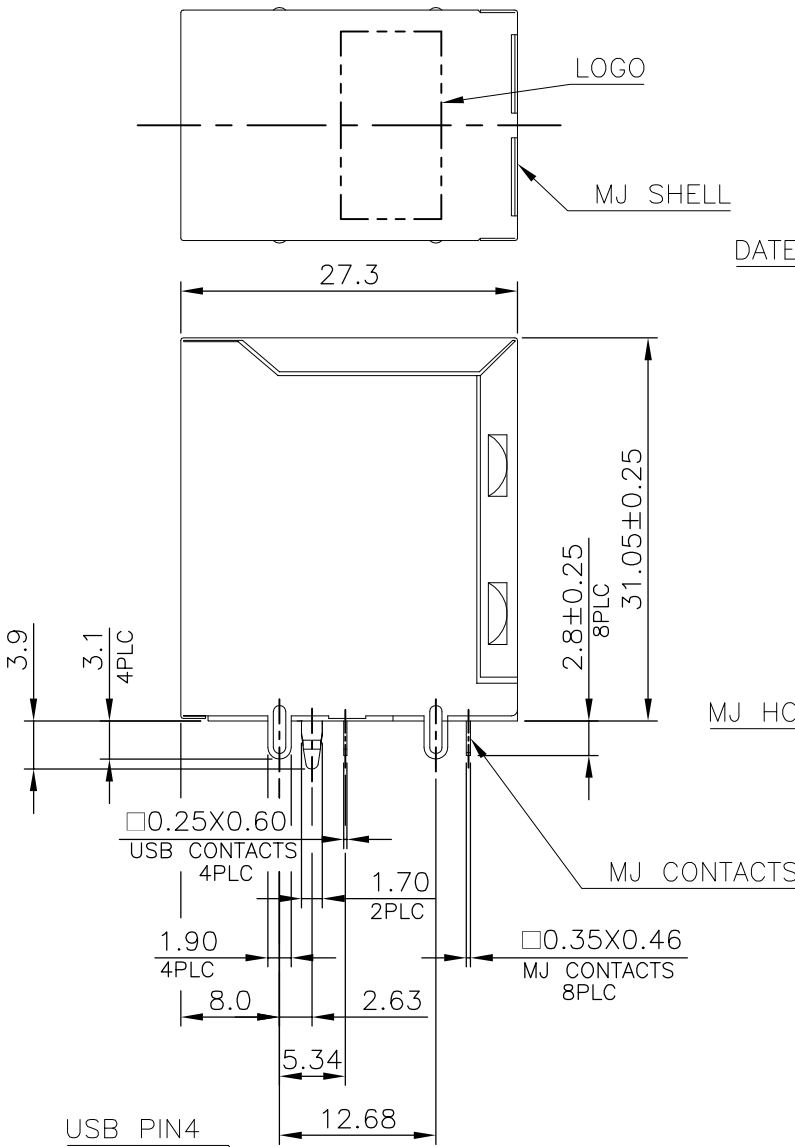
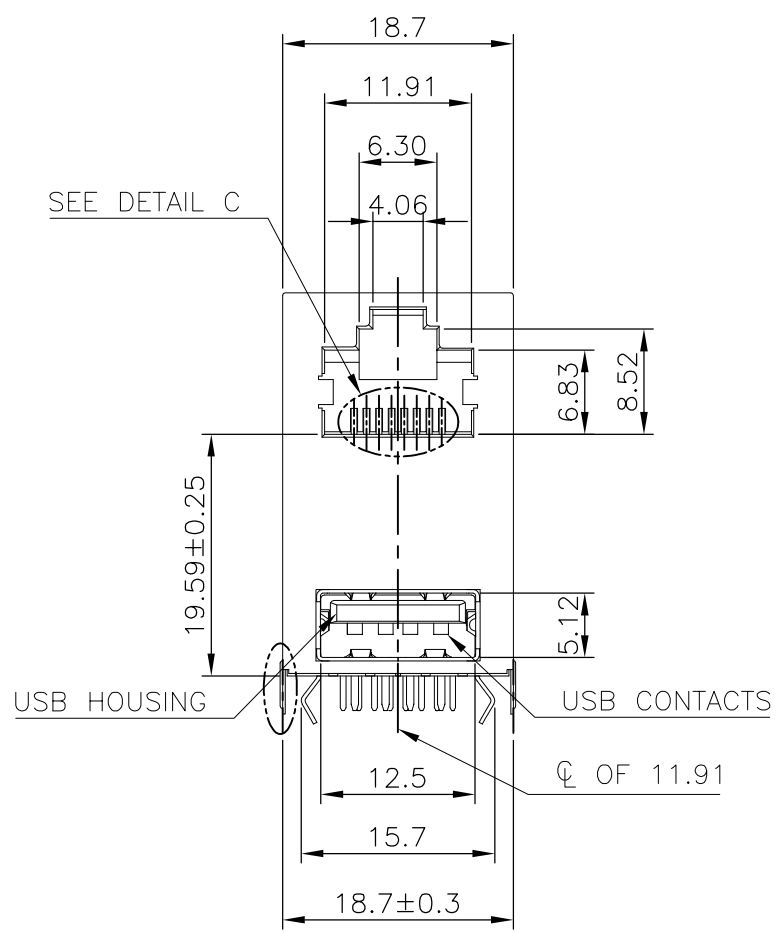
A

D

C

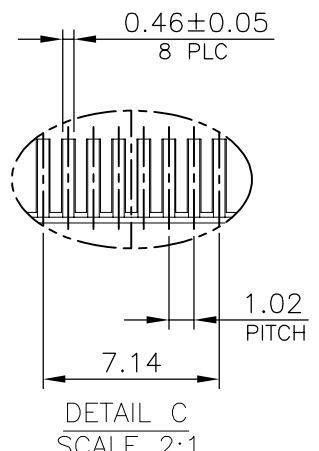
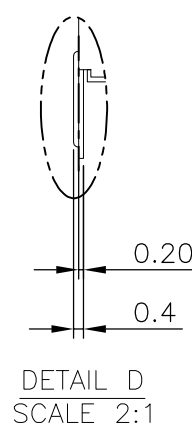
B

A



NOTE:

- MATERIAL:
 - MJ HOUSING: PBT, WITH 30% GF, UL 94V-0, BLACK COLOR.
 - MJ CONTACTS: PHOSPHOR BRONZE.
 - MJ SHELL: BRASS.
 - USB HOUSING: PBT, WITH 30% GF, UL94V-0, BLACK COLOR.
 - USB CONTACTS: BRASS.
 - USB SHELL: SPCC.
- FINISH:
 - MJ CONTACTS: 0.762um [30u"] MIN. GOLD PLATED ON CONTACT AREA, GOLD FLASH ON SOLDER TAIL, 1.27um [50u"] MIN. NICKEL UNDERPLATED OVERALL.
 - MJ SHELL: 0.508um [20u"] MIN. NICKEL PLATED.
 - USB CONTACTS: 0.762um [30u"] MIN. GOLD PLATED ON CONTACT AREA, 2.54um [100u"] MIN. BRIGHT TIN PLATED ON SOLDER TAIL, 1.27um [50u"] MIN. NICKEL UNDERPLATED OVERALL.
 - USB SHELL: 2.032um [80u"] MIN. NICKEL PLATED.
- WAVE SOLDER CAPABLE TO 265°C PER TE SPE 109-202, CONDITION B.



1909119-1
 PART NUMBER

THIS DRAWING IS A CONTROLLED DOCUMENT.		DWN B. HSING 08JUN2008		TE Connectivity	
DIMENSIONS: mm		CHK S. CHIEN 08JUN2008			
TOLERANCES UNLESS OTHERWISE SPECIFIED:		APVD W. KODAMA 08JUN2008		NAME MODULAR JACK CONNECTOR OVER USB CONNECTOR STACKED, DIP TYPE	
0 PLC ± -		PRODUCT SPEC 108-57900			
1 PLC ± 0.3		APPLICATION SPEC		SIZE	
2 PLC ± 0.2				CAGE CODE	
3 PLC ± 0.15		WEIGHT 14.19 GRAMS		DRAWING NO	
4 PLC ± -				A300779C=1909119	
ANGLES ± 3'		CUSTOMER DRAWING		RESTRICTED TO	
MATERIAL SEE NOTE		FINISH SEE NOTE		SCALE	
				SHEET 1 OF 6	
				REV C	

4

3

2

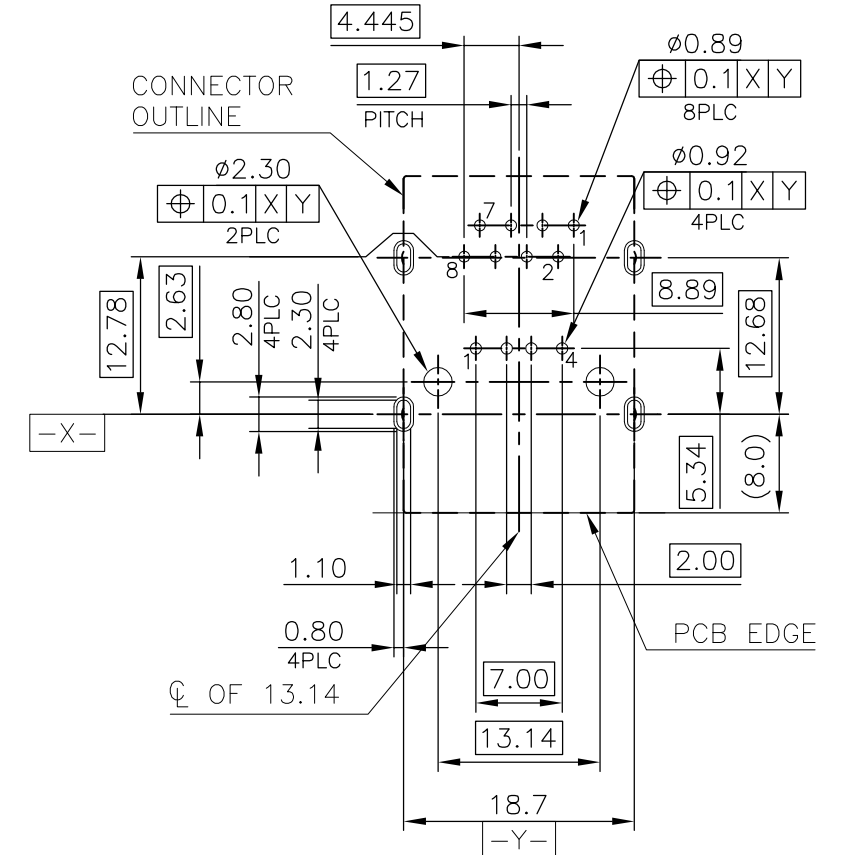
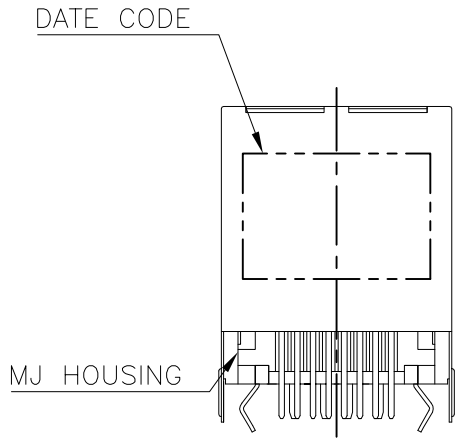
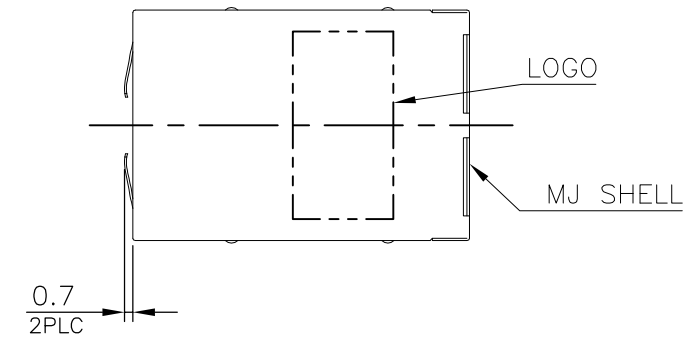
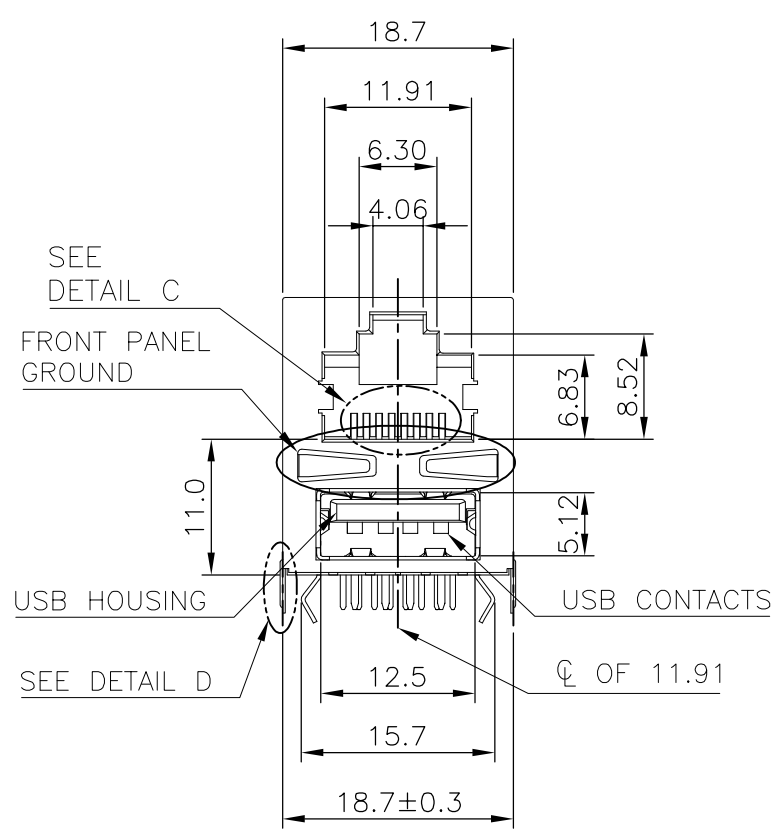
1

THIS DRAWING IS UNPUBLISHED. RELEASED FOR PUBLICATION
 © COPYRIGHT 2011 BY TYCO ELECTRONICS CORPORATION. ALL RIGHTS RESERVED.

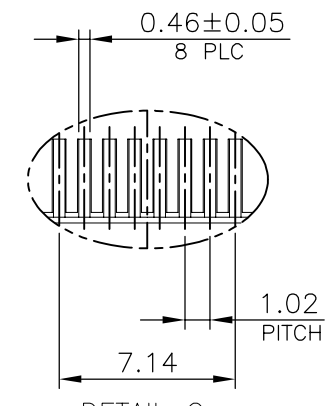
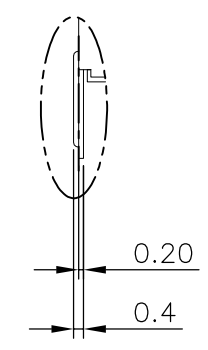
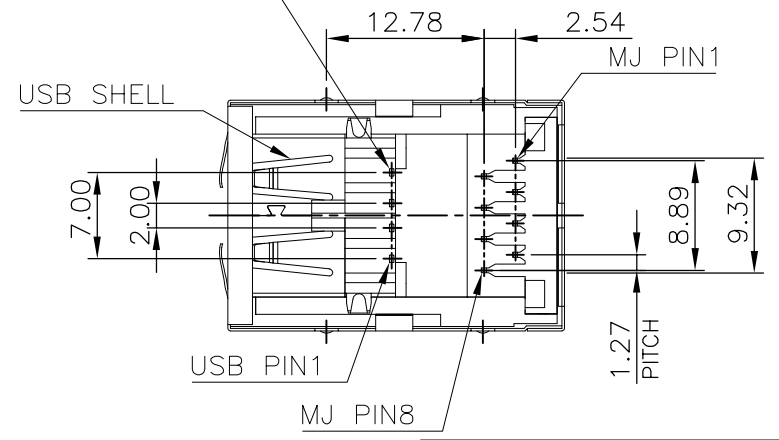
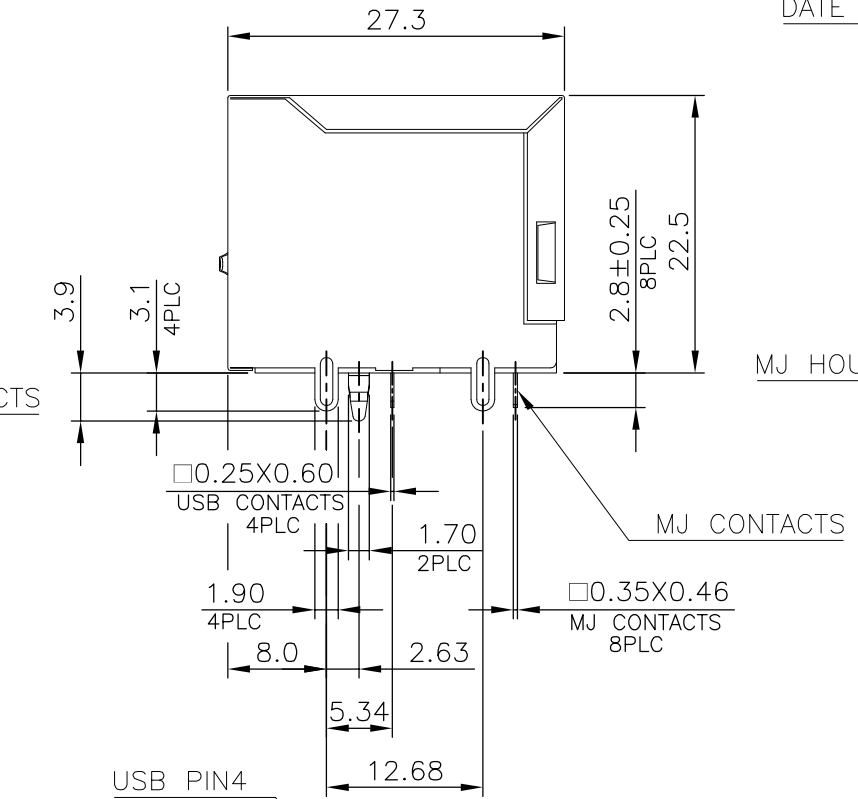
LOC	DIST	REVISIONS			
P	LTR	DESCRIPTION	DATE	DWN	APVD
DW		SEE SHEET 1.			

D

D



RECOMMENDED PCB LAYOUT
 RECOMMENDED PCB THICKNESS: 1.6mm.
 TOLERANCE: ±0.05 (TOP VIEW)



C

C

B

B

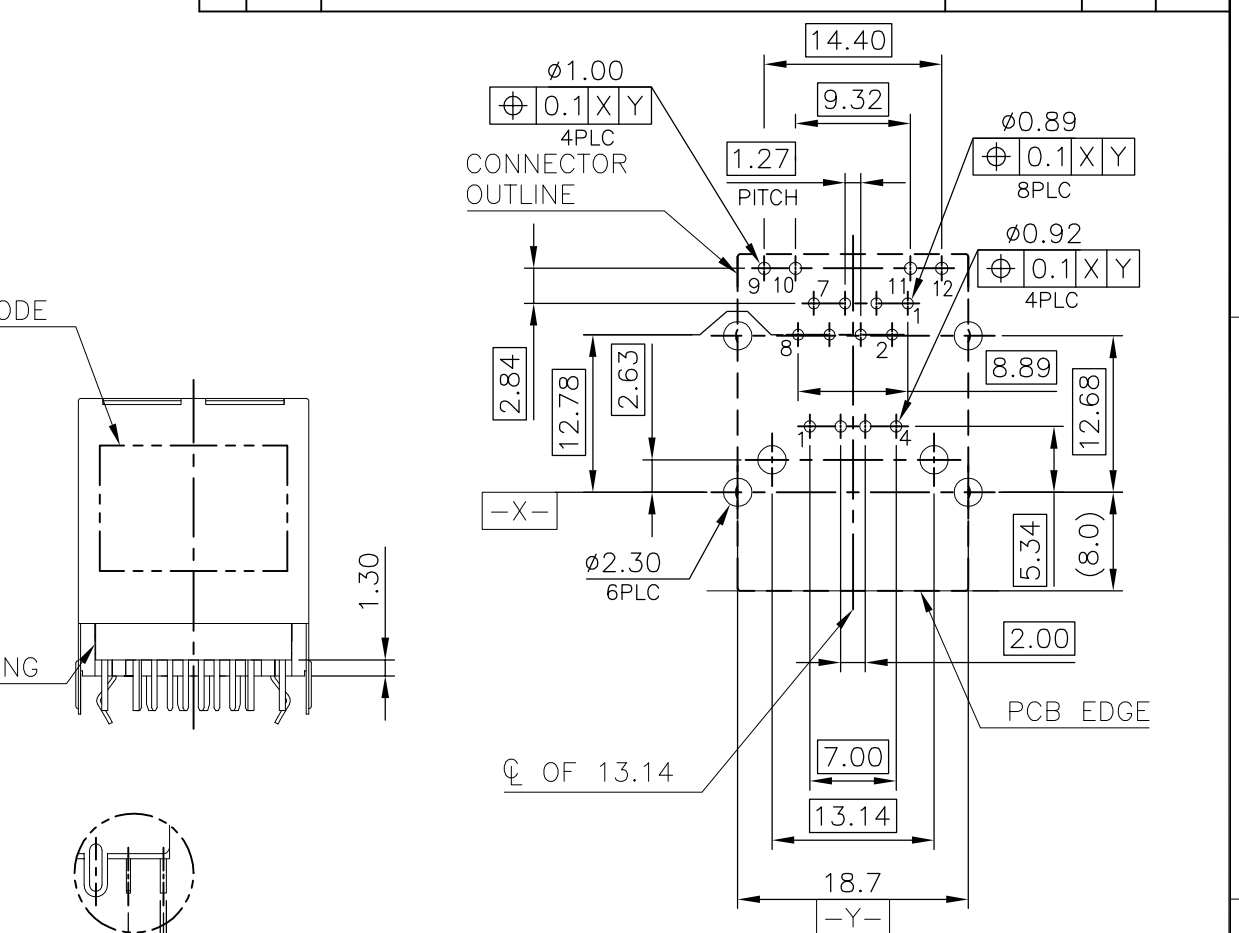
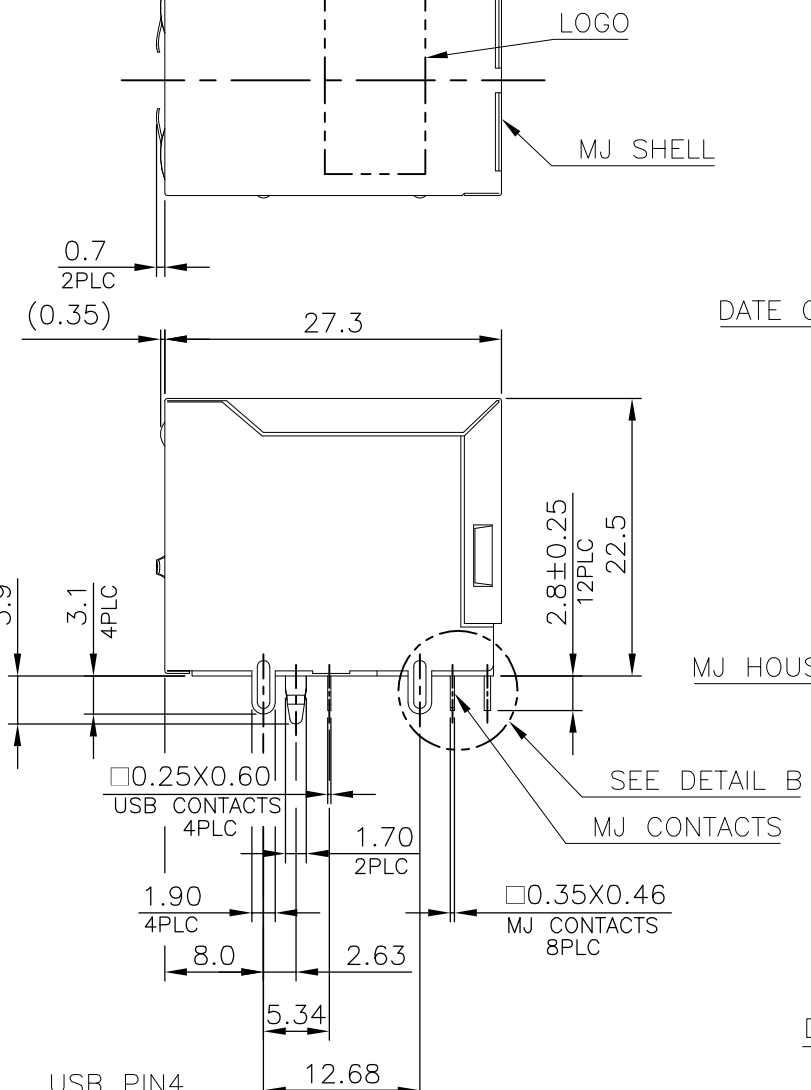
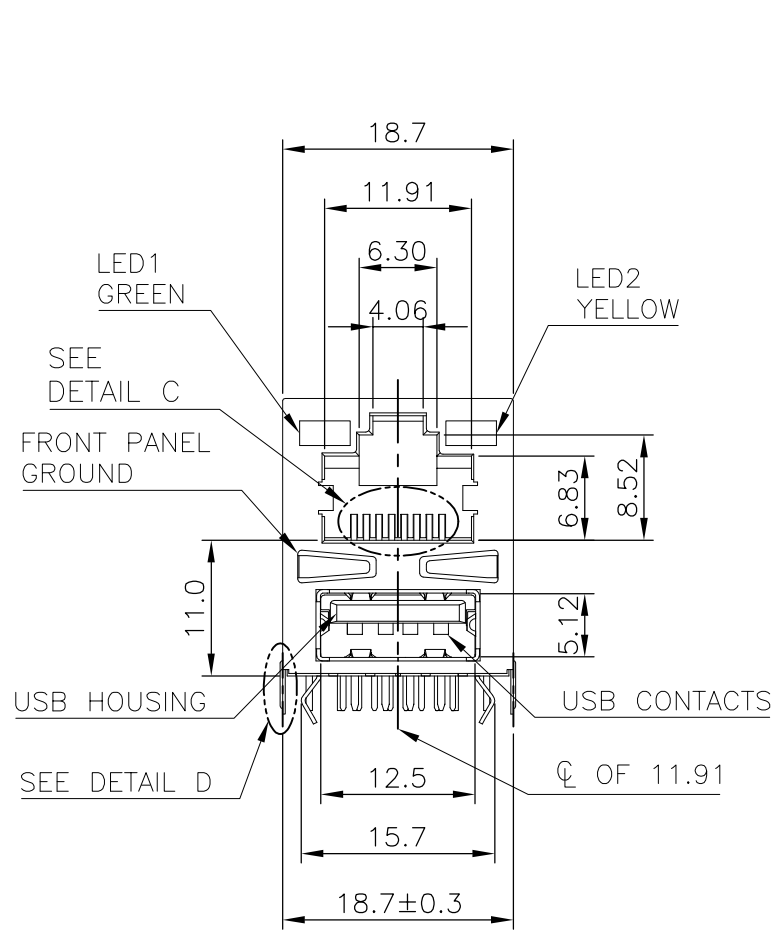
A

A

1909119-4
 PART NUMBER

THIS DRAWING IS A CONTROLLED DOCUMENT.		DWN		TE Connectivity NAME MODULAR JACK CONNECTOR OVER USB CONNECTOR STACKED, DIP TYPE	
DIMENSIONS: mm		CHK			
TOLERANCES UNLESS OTHERWISE SPECIFIED:		APVD		PRODUCT SPEC	
0 PLC ± - 1 PLC ± 0.3 2 PLC ± 0.2 3 PLC ± 0.15 4 PLC ± - ANGLES ± 3°		APPLICATION SPEC		SIZE	
MATERIAL SEE NOTE		FINISH SEE NOTE		CAGE CODE A300779	
		WEIGHT 12.09 GRAMS		DRAWING NO. 1909119	
		CUSTOMER DRAWING		RESTRICTED TO	
		SCALE		SHEET 2 OF 6	
		REV C			

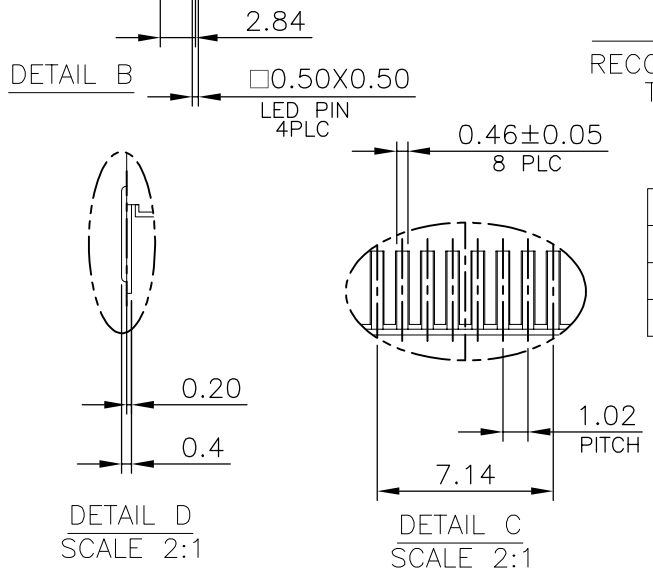
LOC	DIST	REVISIONS			
P	LTR	DESCRIPTION	DATE	DWN	APVD
DW		SEE SHEET 1.			



- NOTE:
- MATERIAL:
 - MJ HOUSING & LED COVER: PBT, WITH 30% GF, UL 94V-0, BLACK COLOR.
 - MJ CONTACTS: PHOSPHOR BRONZE.
 - MJ SHELL: BRASS.
 - LED SOLDER TAIL: EPOXY, STEEL.
 - USB HOUSING: PBT, WITH 30% GF, UL94V-0, BLACK COLOR.
 - USB CONTACTS: BRASS.
 - USB SHELL: SPCC.
 - FINISH:
 - MJ CONTACTS: GOLD FLASH PLATED ON CONTACT AREA, GOLD FLASH ON SOLDER TAIL, 1.27um [50u"] MIN. NICKEL UNDERPLATED OVERALL.
 - MJ SHELL: 0.508um [20u"] MIN. NICKEL PLATED.
 - LED SOLDER TAIL: 1.02um [40u"] COPPER UNDERPLATED OVERALL. 1.27um [50u"] NICKEL OVERALL. 1.27um [50u"] SILVER ON BONDING AREA. 2.54um [100u"] BRIGHT-TIN ON SOLDER AREA.
 - USB CONTACTS: 0.762um [30u"] MIN. GOLD PLATED ON CONTACT AREA, 2.54um [100u"] MIN. BRIGHT TIN PLATED ON SOLDER TAIL, 1.27um [50u"] MIN. NICKEL UNDERPLATED OVERALL.
 - USB SHELL: 2.032um [80u"] MIN. NICKEL PLATED.
 - WAVE SOLDER CAPABLE TO 265°C PER TE SPE 109-202, CONDITION B.

RECOMMENDED PCB LAYOUT
 RECOMMENDED PCB THICKNESS: 1.6mm.
 TOLERANCE: ±0.05 (TOP VIEW)

LED ELECTRICAL CHARACTERISTIC			
NO.	NODE	COLOR	
LED1	9(+)	10(-)	GREEN 9-10
LED2	11(+)	12(-)	YELLOW 11-12

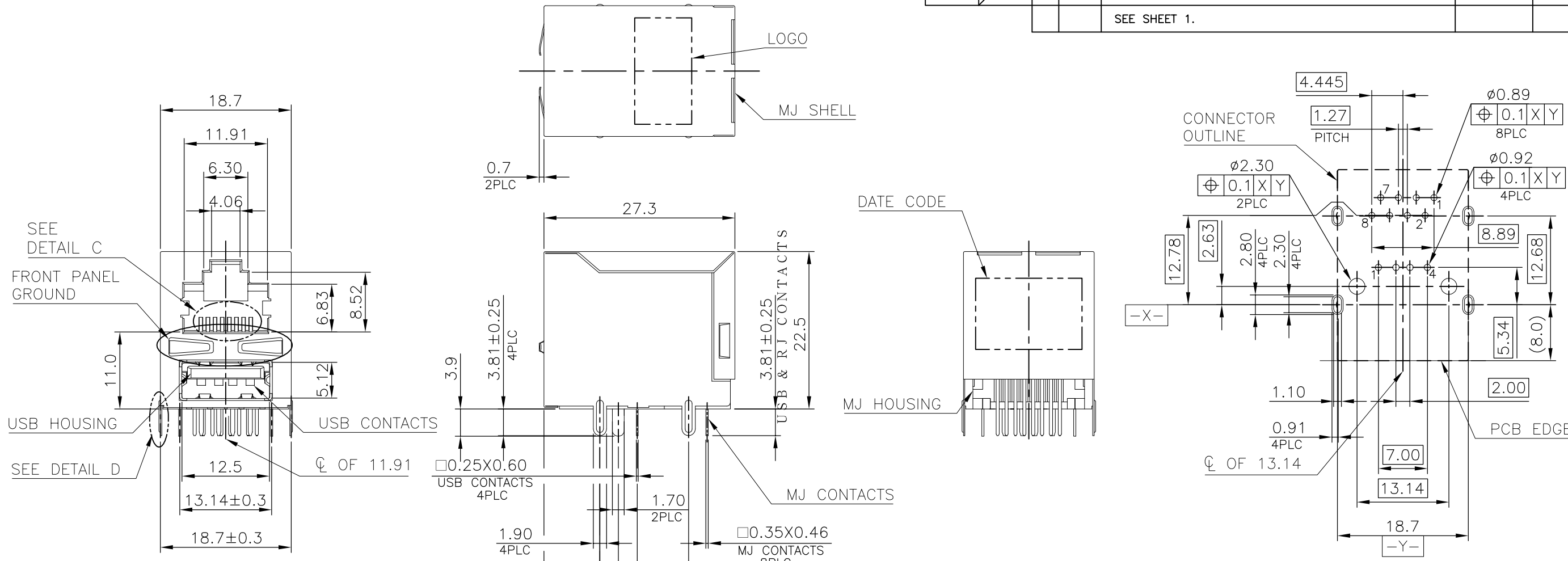


1-1909119-4
 PART NUMBER

THIS DRAWING IS A CONTROLLED DOCUMENT.

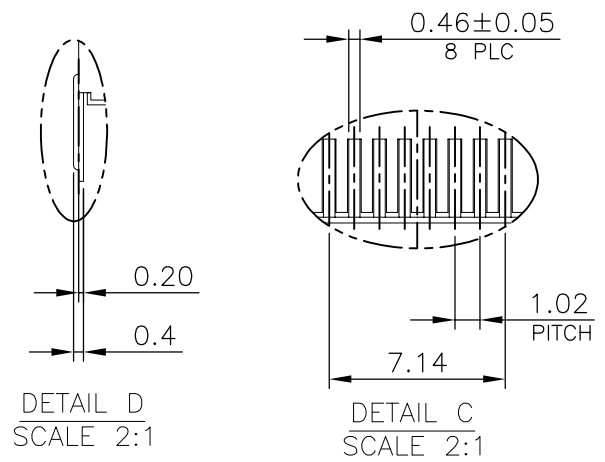
DIMENSIONS: mm	TOLERANCES UNLESS OTHERWISE SPECIFIED:	DWN	TE Connectivity NAME MODULAR JACK CONNECTOR OVER USB CONNECTOR STACKED, DIP TYPE
	0 PLC ± - 1 PLC ± 0.3 2 PLC ± 0.2 3 PLC ± 0.15 4 PLC ± - ANGLES ± 3°	CHK	
MATERIAL	FINISH	APVD	SIZE
SEE NOTE	SEE NOTE	PRODUCT SPEC	CAGE CODE
		APPLICATION SPEC	DRAWING NO
		WEIGHT	RESTRICTED TO
		13.06 GRAMS	A300779
		CUSTOMER DRAWING	C=1909119
		SCALE	SHEET
			3 OF 6
			REV C

LOC	DIST	REVISIONS			
P	LTR	DESCRIPTION	DATE	DWN	APVD
DW		SEE SHEET 1.			



RECOMMENDED PCB LAYOUT
 RECOMMENDED PCB THICKNESS: 3.0mm.
 TOLERANCE: ±0.05 (TOP VIEW)

- NOTE:
- MATERIAL:
 - MJ HOUSING: PA9T, WITH 30% GF, UL 94V-0, BLACK COLOR.
 - MJ CONTACTS: PHOSPHOR BRONZE.
 - MJ SHELL: BRASS.
 - USB HOUSING: PA9T, WITH 30% GF, UL94V-0, BLACK COLOR.
 - USB CONTACTS: BRASS.
 - USB SHELL: SPCC.
 - FINISH:
 - MJ CONTACTS: GOLD FLASH PLATED ON CONTACT AREA, GOLD FLASH ON SOLDER TAIL, 1.27µm [50u"] MIN. NICKEL UNDERPLATED OVERALL.
 - MJ SHELL: 0.508µm [20u"] MIN. NICKEL PLATED.
 - USB CONTACTS: 0.762µm [30u"] MIN. GOLD PLATED ON CONTACT AREA, 2.54µm [100u"] MIN. BRIGHT TIN PLATED ON SOLDER TAIL, 1.27µm [50u"] MIN. NICKEL UNDERPLATED OVERALL.
 - USB SHELL: 2.032µm [80u"] MIN. NICKEL PLATED.
 - REFLOW SOLDER CAPABLE TO 260°C PER TE SPEC 109-201, CONDITION A.



2-1909119-4
 PART NUMBER

THIS DRAWING IS A CONTROLLED DOCUMENT.		DWN		TE Connectivity	
DIMENSIONS: mm		CHK			
TOLERANCES UNLESS OTHERWISE SPECIFIED:		APVD		NAME	
0 PLC ± - 1 PLC ± 0.3 2 PLC ± 0.2 3 PLC ± 0.15 4 PLC ± - ANGLES ± 3°		PRODUCT SPEC		MODULAR JACK CONNECTOR OVER USB CONNECTOR STACKED, DIP TYPE	
MATERIAL SEE NOTE		FINISH SEE NOTE		APPLICATION SPEC	
		WEIGHT 13.06 GRAMS		SIZE A3	CAGE CODE 00779
		CUSTOMER DRAWING		DRAWING NO C-1909119	RESTRICTED TO
		SCALE		SHEET 4 OF 6	REV C

4

3

2

1

THIS DRAWING IS UNPUBLISHED. RELEASED FOR PUBLICATION
 © COPYRIGHT 2011 BY TYCO ELECTRONICS CORPORATION. ALL RIGHTS RESERVED.

LOC	DIST	REVISIONS			
P	LTR	DESCRIPTION	DATE	DWN	APVD
DW	/	SEE SHEET 1.			

D

D

C

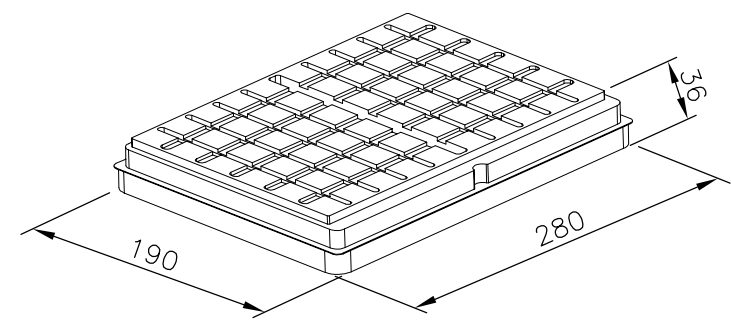
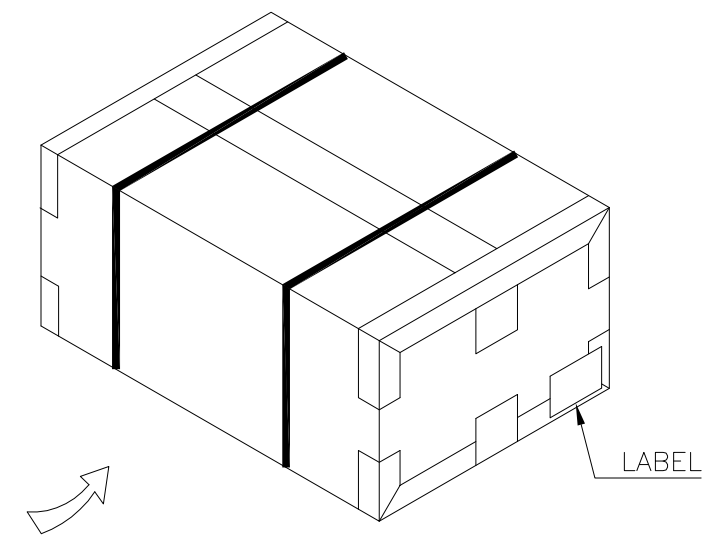
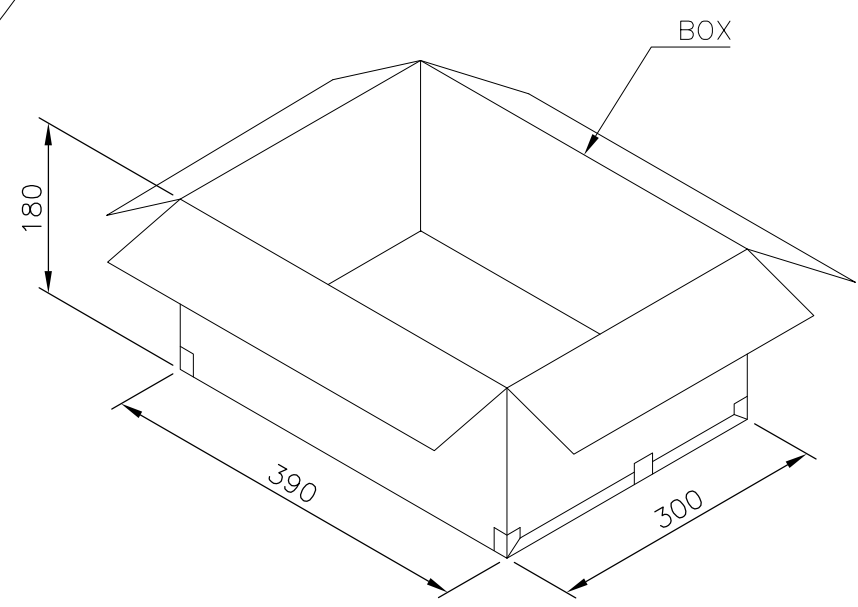
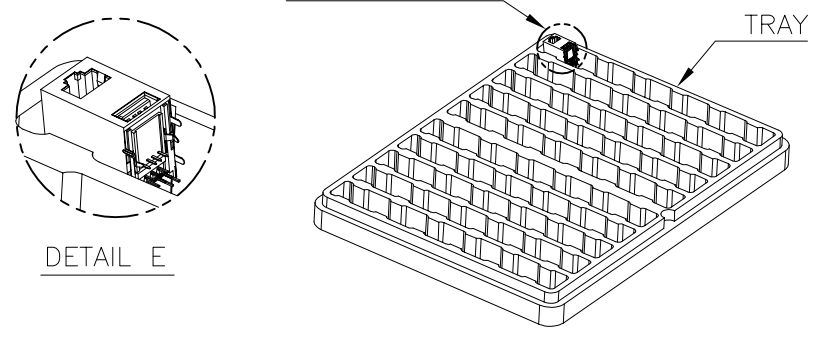
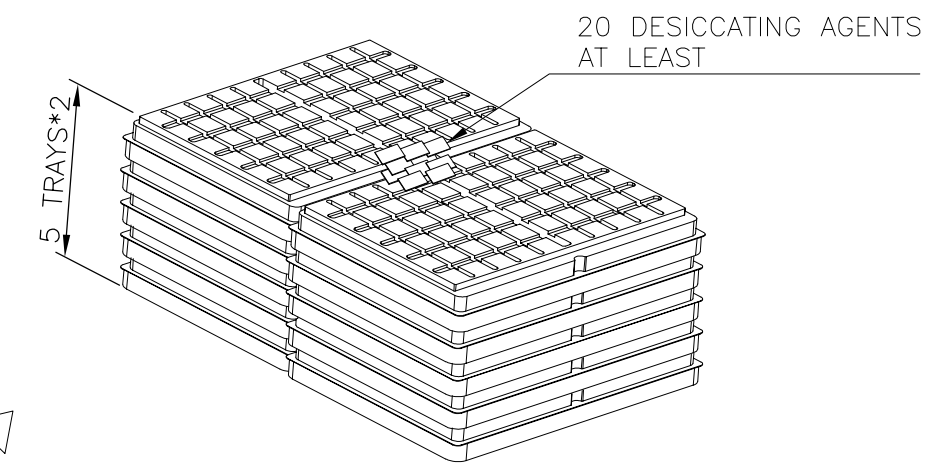
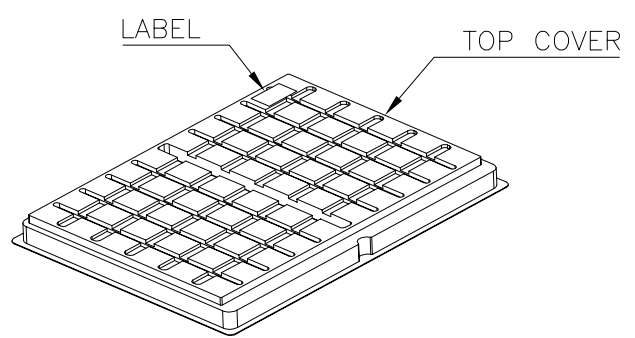
C

B

B

A

A



9.10KG	7.10KG	50	10	500	1909119-1
GROSS WEIGHT	NET WEIGHT	PCS/TRAY	TRAY/BOX	PCS/BOX	PART NUMBER

NOTE:
 1. MATERIAL:
 1.1 TRAY & TOP COVER: PET.
 1.2 BOX: CORRUGATED PAPER.
 2. EACH BAG SHALL BE INCLUDED:
 *DESICCANT

THIS DRAWING IS A CONTROLLED DOCUMENT.		DWN	TE Connectivity NAME MODULAR JACK CONNECTOR OVER USB CONNECTOR STACKED, DIP TYPE		
DIMENSIONS: mm		CHK			
TOLERANCES UNLESS OTHERWISE SPECIFIED:		APVD			
0 PLC ± - 1 PLC ± 0.3 2 PLC ± 0.2 3 PLC ± 0.15 4 PLC ± - ANGLES ± 3°		PRODUCT SPEC			
MATERIAL		FINISH	APPLICATION SPEC	SIZE	RESTRICTED TO
			WEIGHT	A3	
			CUSTOMER DRAWING	CAGE CODE	
				1909119	
				DRAWING NO	
				SCALE	
				SHEET	
				5 of 6	
				REV	
				C	

4

3

2

1

THIS DRAWING IS UNPUBLISHED. RELEASED FOR PUBLICATION
 © COPYRIGHT 2011 BY TYCO ELECTRONICS CORPORATION. ALL RIGHTS RESERVED.

LOC	DIST	REVISIONS				
P	LTR	DESCRIPTION	DATE	DWN	APVD	
		SEE SHEET 1.				

D

D

C

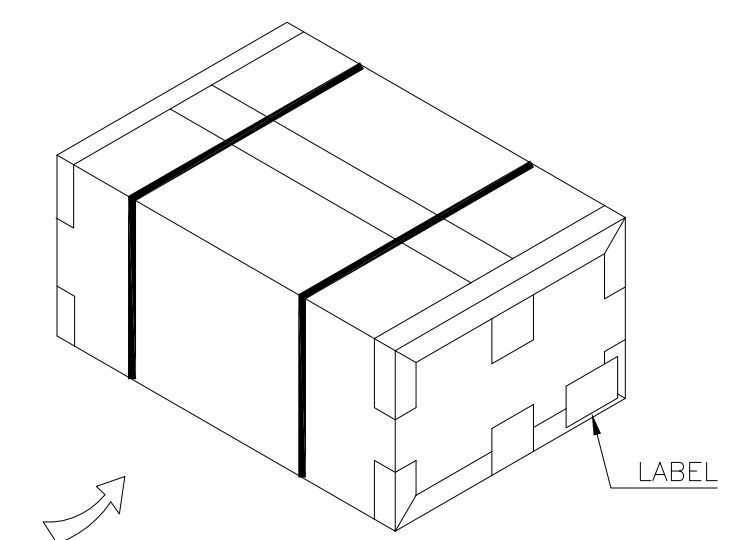
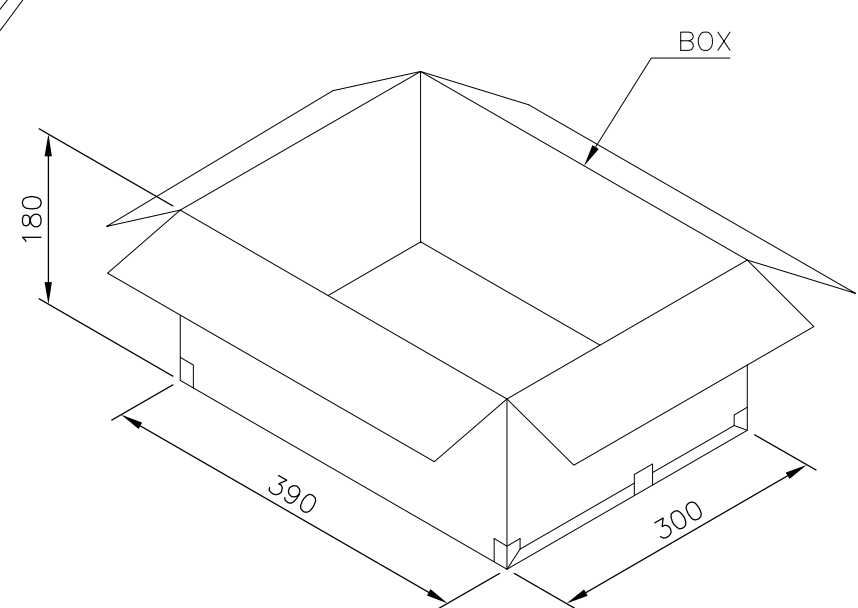
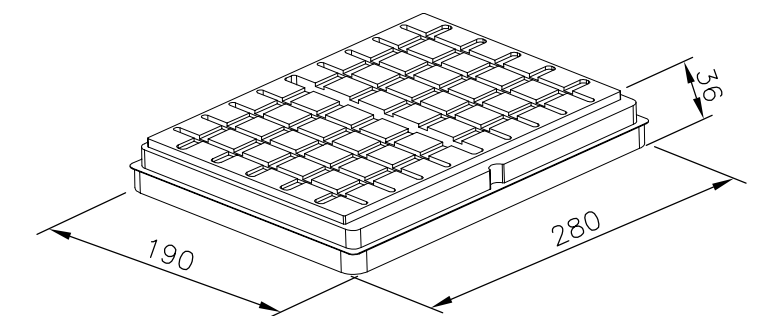
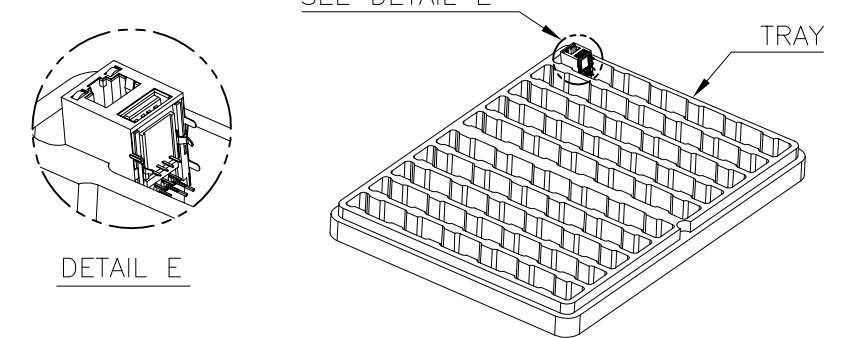
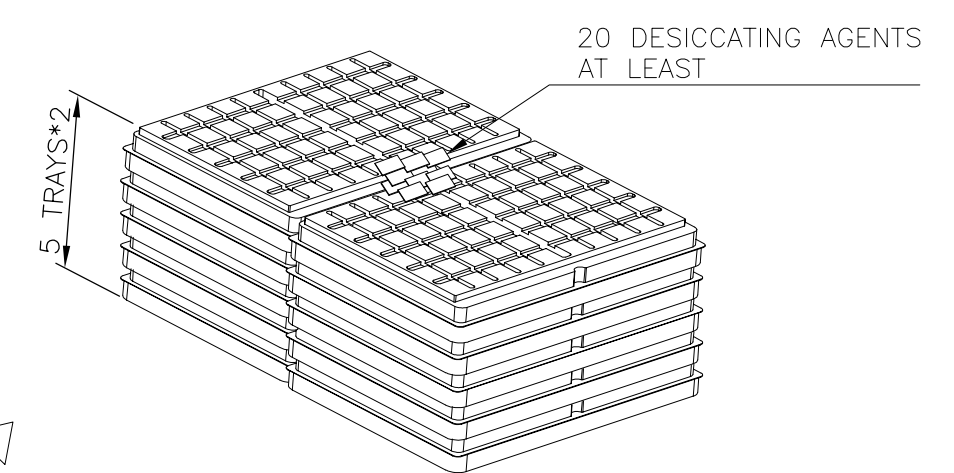
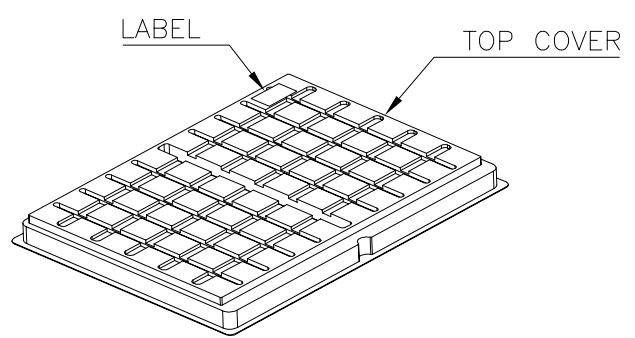
C

B

B

A

A



8.60 KG	6.55 KG	50	10	500	2-1909119-4
8.60 KG	6.55 KG	50	10	500	1-1909119-4
8.00 KG	6.05 KG	50	10	500	1909119-4
GROSS WEIGHT	NET WEIGHT	PCS/TRAY	TRAY/BOX	PCS/BOX	PART NUMBER

NOTE:

- 1. MATERIAL:
 - 1.1 TRAY & TOP COVER: PET.
 - 1.2 BOX: CORRUGATED PAPER.
- 2. EACH BAG SHALL BE INCLUDED:
 - *DESICCANT

THIS DRAWING IS A CONTROLLED DOCUMENT.		DWN		TE Connectivity NAME MODULAR JACK CONNECTOR OVER USB CONNECTOR STACKED, DIP TYPE	
DIMENSIONS: mm		CHK			
TOLERANCES UNLESS OTHERWISE SPECIFIED:		APVD			
0 PLC ± - 1 PLC ± 0.3 2 PLC ± 0.2 3 PLC ± 0.15 4 PLC ± - ANGLES ± 3°		PRODUCT SPEC			
MATERIAL		FINISH		APPLICATION SPEC	
		WEIGHT		RESTRICTED TO	
		CUSTOMER DRAWING		SIZE: A3 CAGE CODE: 00779 DRAWING NO: C-1909119	
		SCALE: -		SHEET: 6 OF 6	
				REV: C	



Компания «ЭлектроПласт» предлагает заключение долгосрочных отношений при поставках импортных электронных компонентов на взаимовыгодных условиях!

Наши преимущества:

- Оперативные поставки широкого спектра электронных компонентов отечественного и импортного производства напрямую от производителей и с крупнейших мировых складов;
- Поставка более 17-ти миллионов наименований электронных компонентов;
- Поставка сложных, дефицитных, либо снятых с производства позиций;
- Оперативные сроки поставки под заказ (от 5 рабочих дней);
- Экспресс доставка в любую точку России;
- Техническая поддержка проекта, помощь в подборе аналогов, поставка прототипов;
- Система менеджмента качества сертифицирована по Международному стандарту ISO 9001;
- Лицензия ФСБ на осуществление работ с использованием сведений, составляющих государственную тайну;
- Поставка специализированных компонентов (Xilinx, Altera, Analog Devices, Intersil, Interpoint, Microsemi, Aeroflex, Peregrine, Syfer, Eurofarad, Texas Instrument, Miteq, Cobham, E2V, MA-COM, Hittite, Mini-Circuits, General Dynamics и др.);

Помимо этого, одним из направлений компании «ЭлектроПласт» является направление «Источники питания». Мы предлагаем Вам помощь Конструкторского отдела:

- Подбор оптимального решения, техническое обоснование при выборе компонента;
- Подбор аналогов;
- Консультации по применению компонента;
- Поставка образцов и прототипов;
- Техническая поддержка проекта;
- Защита от снятия компонента с производства.



Как с нами связаться

Телефон: 8 (812) 309 58 32 (многоканальный)

Факс: 8 (812) 320-02-42

Электронная почта: org@eplast1.ru

Адрес: 198099, г. Санкт-Петербург, ул. Калинина, дом 2, корпус 4, литера А.