

## MCF51JM128



## MCF51JM128 ColdFire Microcontroller

The MCF51JM128 is a member of the ColdFire family of 32-bit reduced instruction set computing (RISC) microprocessors. This document provides an overview of the MCF51JM128 series, focusing on its highly integrated and diverse feature set.

The MCF51JM128 series is based on the V1 ColdFire core and operates at processor core speeds up to 50.33 MHz. As part of Freescale's Controller Continuum<sup>®</sup>, it is an ideal upgrade for designs based on the MC9S08JM60 series of 8-bit microcontrollers.

The MCF51JM128 features the following functional units:

- V1 ColdFire core with background debug module
- Up to 128 KB of flash memory
- Up to 16 KB of static RAM (SRAM)
- Multipurpose clock generator (MCG)
- Dual-role Universal Serial Bus On-The-Go device (USBOTG)
- Controller-area network (MSCAN)
- Cryptographic acceleration unit (CAU)
- Random number generator accelerator (RNGA)
- Analog comparators (ACMP)
- Analog-to-digital converter (ADC) with up to 12 channels
- Two Inter-integrated circuit (IIC) modules
- Two serial peripheral interfaces (SPI)
- Two serial communications interfaces (SCI)
- Carrier modulation timer (CMT)
- Eight-channel timer/pulse-width modulators (TPM)
- Real-time counter (RTC)
- 66 general-purpose input/output (GPIO) modules plus Interrupt request input
- Eight keyboard interrupts (KBI)
- 16-bit Rapid GPIO

This document contains information on a product under development. Freescale reserves the right to change or discontinue this product without notice.

© Freescale Semiconductor, Inc., 2008-2012. All rights reserved.

# Table of Contents

1	MCF51JM128 Family Configurations	3
1.1	Device Comparison	3
1.2	Block Diagram	4
1.3	Features	5
1.4	Part Numbers	8
1.5	Pinouts and Packaging	10
2	Preliminary Electrical Characteristics	15
2.1	Parameter Classification	15
2.2	Absolute Maximum Ratings	15
2.3	Thermal Characteristics	16
2.4	Electrostatic Discharge (ESD) Protection Characteristics	17
2.5	DC Characteristics	18
2.6	Supply Current Characteristics	21
2.7	Analog Comparator (ACMP) Electricals	23
2.8	ADC Characteristics	23
2.9	External Oscillator (XOSC) Characteristics	26
2.10	MCG Specifications	27
2.11	AC Characteristics	28
2.12	SPI Characteristics	31
2.13	Flash Specifications	34
2.14	USB Electricals	34
2.15	EMC Performance	35
3	Mechanical Outline Drawings	36
3.1	80-pin LQFP	36
3.2	64-pin LQFP	39
3.3	64-pin QFP	42
3.4	44-pin LQFP	45
4	Revision History	48

## List of Figures

Figure 1.	MCF51JM128 Block Diagram	4
Figure 2.	80-pin LQFP	10
Figure 3.	64-pin QFP and LQFP	11
Figure 4.	44-pin LQFP	12
Figure 5.	Typical Low-side Drive (sink) characteristics – High Drive (PTxDSn = 1)	20
Figure 6.	Typical Low-side Drive (sink) characteristics – Low Drive (PTxDSn = 0)	20
Figure 7.	Typical High-side Drive (source) characteristics – High Drive (PTxDSn = 1)	21
Figure 8.	Typical High-side Drive (source) characteristics – Low Drive (PTxDSn = 0)	21
Figure 9.	ADC Input Impedance Equivalency Diagram	24
Figure 10.	Reset Timing	29
Figure 11.	IRQ/KBIPx Timing	29
Figure 12.	Timer External Clock	29

Figure 13.	Timer Input Capture Pulse	30
Figure 14.	SPI Master Timing (CPHA = 0)	32
Figure 15.	SPI Master Timing (CPHA = 1)	32
Figure 16.	SPI Slave Timing (CPHA = 0)	33
Figure 17.	SPI Slave Timing (CPHA = 1)	33
Figure 18.	80-pin LQFP Diagram - I	36
Figure 19.	80-pin LQFP Diagram - II	37
Figure 20.	80-pin LQFP Diagram - III	38
Figure 21.	64-pin LQFP Diagram - I	39
Figure 22.	64-pin LQFP Diagram - II	40
Figure 23.	64-pin LQFP Diagram - III	41
Figure 24.	64-pin QFP Diagram - I	42
Figure 25.	64-pin QFP Diagram - II	43
Figure 26.	64-pin QFP Diagram - III	44
Figure 27.	44-pin LQFP Diagram - I	45
Figure 28.	44-pin LQFP Diagram - II	46
Figure 29.	44-pin LQFP Diagram - III	47

## List of Tables

Table 1.	MCF51JM128 Series Device Comparison	3
Table 2.	MCF51JM128 Series Functional Units	5
Table 3.	Orderable Part Number Summary	8
Table 4.	Pin Assignments by Package and Pin Sharing Priority	12
Table 5.	Parameter Classifications	15
Table 6.	Absolute Maximum Ratings	16
Table 7.	Thermal Characteristics	16
Table 8.	ESD and Latch-up Test Conditions	17
Table 9.	ESD and Latch-Up Protection Characteristics	18
Table 10.	DC Characteristics	18
Table 11.	Supply Current Characteristics	21
Table 12.	Analog Comparator Electrical Specifications	23
Table 13.	5 Volt 12-bit ADC Operating Conditions	23
Table 14.	5 Volt 12-bit ADC Characteristics (VREFH = VDDA, VREFL = VSSA)	24
Table 15.	Oscillator Electrical Specifications (Temperature Range = -40 to 105°C Ambient)	26
Table 16.	MCG Frequency Specifications (Temperature Range = -40 to 125°C Ambient)	27
Table 17.	Control Timing	28
Table 18.	TPM Input Timing	29
Table 19.	MSCAN Wake-up Pulse Characteristics	30
Table 20.	SPI Timing	31
Table 21.	Flash Characteristics	34
Table 22.	Internal USB 3.3V Voltage Regulator Characteristics	35
Table 23.	Internal Revision History	50
Table 24.	Changes Between Revisions	51

# 1 MCF51JM128 Family Configurations

## 1.1 Device Comparison

The MCF51JM128 series consists of the devices compared in [Table 1](#).

**Table 1. MCF51JM128 Series Device Comparison**

Feature	MCF51JM128			MCF51JM64			MCF51JM32		
	80-pin	64-pin	44-pin	80-pin	64-pin	44-pin	80-pin	64-pin	44-pin
Flash memory size (KB)	128			64			32		
RAM size (KB)	16			16			16		
V1 ColdFire core with BDM (background debug module)	Yes								
ACMP (analog comparator)	Yes								
ADC channels (12-bit)	12		8	12		8	12		8
CAN (controller area network)	Yes	Yes	No	Yes	Yes	No	Yes	Yes	No
RNGA + CAU	Yes <sup>1</sup>								
CMT (carrier modulator timer)	Yes								
COP (computer operating properly)	Yes								
IIC1 (inter-integrated circuit)	Yes								
IIC2	Yes	No		Yes	No		Yes	No	
IRQ (interrupt request input)	Yes								
KBI (keyboard interrupts)	8	8	6	8	8	6	8	8	6
LVD (low-voltage detector)	Yes								
MCG (multipurpose clock generator)	Yes								
Port I/O <sup>2</sup>	66	51	33	66	51	33	66	51	33
RGPIO (rapid general-purpose I/O)	16	6	0	16	6	0	16	6	0
RTC (real-time counter)	Yes								
SCI1 (serial communications interface)	Yes								
SCI2	Yes								
SPI1 (serial peripheral interface)	Yes								
SPI2	Yes								
TPM1 (timer/pulse-width modulator) channels	6	6	4	6	6	4	6	6	4
TPM2 channels	2								
USBOTG (USB On-The-Go dual-role controller)	Yes								
XOSC (crystal oscillator)	Yes								

<sup>1</sup> Only existed on special part number

<sup>2</sup> Up to 16 pins on Ports A, H, and J are shared with the ColdFire Rapid GPIO module.

## 1.2 Block Diagram

Figure 1 shows the connections between the MCF51JM128 series pins and modules.



Figure 1. MCF51JM128 Block Diagram

## 1.3 Features

Table 2 describes the functional units of the MCF51JM128 series.

**Table 2. MCF51JM128 Series Functional Units**

Unit	Function
CF1CORE (V1 ColdFire core)	Executes programs and interrupt handlers
BDM (background debug module)	Provides a single-pin debugging interface (part of the V1 ColdFire core)
DBG (debug)	Provides debugging and emulation capabilities (part of the V1 ColdFire core)
SYSCCTL (system control)	Provides LVD, COP, external interrupt request, and so on
FLASH (flash memory)	Provides storage for program code and constants
RAM (random-access memory)	Provides storage for program code, constants, and variables
RGPIO (rapid general-purpose input/output)	Allows I/O port access at CPU clock speeds
VREG (voltage regulator)	Controls power management throughout the device
USBOTG (USB On-The-Go)	Supports the USB On-The-Go dual-role controller
ADC (analog-to-digital converter)	Measures analog voltages at up to 12 bits of resolution
TPM1, TPM2 (timer/pulse-width modulators)	Provide a variety of timing-based features
CF1_INTC (interrupt controller)	Controls and prioritizes all device interrupts
CAU (cryptographic acceleration unit)	Co-processor support for DES, 3DES, AES, MD5, and SHA-1
RNGA (random number generator accelerator)	32-bit random number generator that complies with FIPS-140
RTC (real-time counter)	Provides a constant-time base with optional interrupt
ACMP (analog comparator)	Compares two analog inputs
CMT (carrier modulator timer)	Infrared output used for the Remote Controller
IIC1, IIC2 (inter-integrated circuits)	Supports the standard IIC communications protocol
KBI (keyboard interrupt)	Provides pin interrupt capabilities
MCG (multipurpose clock generator)	Provides clocking options for the device, including a phase-locked loop (PLL) and frequency-locked loop (FLL) for multiplying slower reference clock sources
XOSC (crystal oscillator)	Supports low/high range crystals
CAN (controller area network)	Supports standard CAN communications protocol
SCI1, SCI2 (serial communications interfaces)	Serial communications UARTs that can support RS-232 and LIN protocols
SPI1, SPI2 (serial peripheral interfaces)	Provide a 4-pin synchronous serial interface

## 1.3.1 Feature List

- 32-bit Version 1 ColdFire Central Processor Unit (CPU)
  - Up to 50.33 MHz at 2.7 V – 5.5 V
  - Performance (Dhrystone 2.1):
    - 0.94 Dhrystone 2.1 MIPS per MHz when running from internal RAM
    - 0.76 Dhrystone 2.1 MIPS per MHz when running from flash
  - Implements Instruction Set Revision C (ISA\_C)
  - Supports up to 30 peripheral interrupt requests and seven software interrupts
- On-chip memory
  - Up to 128 KB Flash memory with read/program/erase over full operating voltage and temperature range
  - Up to 16 KB static random access memory (RAM)
  - Security circuitry to prevent unauthorized access to RAM and flash contents
- Power-saving modes
  - Two low-power stop plus wait modes
  - Peripheral clock enable register can disable clocks to unused modules, thereby reducing currents; this behavior allows clocks to remain enabled to specific peripherals in Stop3 mode
  - Very lower power real-time counter for use in run, wait, and stop modes with internal and external clock sources
- Four Clock Source Options
  - Oscillator (XOSC) — Loop-control Pierce oscillator; crystal or ceramic resonator range of 31.25 kHz to 38.4 kHz or 1 MHz to 16 MHz
  - FLL/PLL controlled by internal or external reference
  - Trimmable internal reference allows 0.2% resolution and 2% deviation
- System protection features
  - Watchdog computer operating properly (COP) reset with option to run from dedicated 1 kHz internal clock source or bus clock
  - Low-voltage detection with reset or interrupt; selectable trip points
  - Illegal opcode and illegal address detection with programmable reset or exception response
  - Flash block protection
- Debug support
  - Single-wire Background debug interface
  - 4 Program Counters plus two address (optional data) breakpoint registers with programmable 1- or 2-level trigger response
  - 64-entry processor status and debug data trace buffer with programmable start/stop conditions
- Universal Serial Bus (USB) On-The-Go dual-role controller
  - Full-speed USB device controller
    - Fully compliant with USB specification 1.1 and 2.0
    - 16 bidirectional endpoints, with double buffering to provide the maximum throughput
    - Supports control, bulk, interrupt, and isochronous endpoints
    - Supports bus-powered capability with low-power consumption
  - Full-speed / low-speed host controller
    - Host mode allows control, bulk, interrupt, and isochronous transfers
  - OTG protocol logic
  - On-chip USB transceiver
  - On-chip 3.3 V USB regulator and pull-up resistors save system cost

- Controller area network (MSCAN)
  - Implementation of the CAN protocol — Version 2.0A/B
  - Five receive buffers with FIFO storage scheme
  - Three transmit buffers with internal prioritization using a “local priority” concept
  - Flexible maskable identifier filter programmable as 2x32-bit, 4x16-bit, or 8x8-bit
  - Programmable wakeup functionality with integrated low-pass filter
  - Programmable loopback mode supports self-test operation
  - Programmable bus-off recovery functionality
  - Internal timer for time-stamping of received and transmitted messages
- Cryptographic acceleration unit (CAU)
  - Co-processor support of DES, 3DES, AES, MD5, and SHA-1
- Random number generator accelerator (RNGA)
  - 32-bit random number generator that complies with FIPS-140
- Analog-to-digital converter (ADC)
  - 12-channel, 12-bit resolution
  - Output formatted in 12-, 10-, or 8-bit right-justified format
  - Single or continuous conversion, and selectable asynchronous hardware conversion trigger
  - Operation in Stop3 mode
  - Automatic compare function
  - Internal temperature sensor
- Analog comparators (ACMP)
  - Selectable interrupt on rising edge, falling edge, or either rising or falling edges of comparator output
  - Option to compare to fixed internal bandgap reference voltage
  - Option to route output to TPM module
  - Operation in Stop3 mode
- Inter-integrated circuit (IIC)
  - Up to 100 kbps with maximum bus loading
  - Multi-master operation
  - Programmable slave address
  - Supports broadcast mode and 10-bit address extension
- Serial communications interfaces (SCI)
  - Two SCIs with full-duplex, non-return-to-zero (NRZ) format
  - LIN master extended break generation
  - LIN slave extended break detection
  - Programmable 8-bit or 9-bit character length
  - Wake up on active edge
- Serial peripheral interfaces (SPI)
  - Two serial peripheral interfaces with full-duplex or single-wire bidirectional
  - Double-buffered transmit and receive
  - Programmable transmit bit rate, phase, polarity, and Slave Select output
  - MSB-first or LSB-first shifting
- Timer/pulse width modulator (TPM)
  - 16-bit free-running or modulo up/down count operation
  - Up to eight channels, where each channel can be an input capture, output compare, or edge-aligned PWM
  - One interrupt per channel plus terminal count interrupt

## MCF51JM128 Family Configurations

- RTC
  - 8-bit modulus counter with binary- or decimal-based prescaler
  - External clock source for precise time base, time-of-day, calendar or task scheduling functions
  - Free running on-chip low power oscillator (1 kHz) for cyclic wake-up without external components
- Carrier modulator timer (CMT)
  - carrier generator, modulator, and transmitter drive the infrared out (IRO) pin
  - operation in independent high/low time control, baseband, FSK, and direct IRO control modes
- Input/Output
  - 66 GPIOs
  - Eight keyboard interrupt pins with selectable polarity
  - Hysteresis and configurable pull-up device on all input pins; configurable slew rate and drive strength on all output pins
  - 16 bits of Rapid GPIO connected to the processor's local 32-bit platform bus with set, clear, and faster toggle functionality

## 1.4 Part Numbers

Table 3. Orderable Part Number Summary

Freescall Part Number	Description	Flash / SRAM (KB)	Package	Temperature
MCF51JM128EVLK	MCF51JM128 ColdFire Microcontroller with CAU and RNGA Enabled	128 / 16	80 LQFP	-40 to +105 °C
MCF51JM128VLK	MCF51JM128 ColdFire Microcontroller	128 / 16	80 LQFP	-40 to +105 °C
MCF51JM128EVLH	MCF51JM128 ColdFire Microcontroller with CAU and RNGA Enabled	128 / 16	64 LQFP	-40 to +105 °C
MCF51JM128VLH	MCF51JM128 ColdFire Microcontroller	128 / 16	64 LQFP	-40 to +105 °C
MCF51JM128EVQH	MCF51JM128 ColdFire Microcontroller with CAU and RNGA Enabled	128 / 16	64 QFP	-40 to +105 °C
MCF51JM128VQH	MCF51JM128 ColdFire Microcontroller	128 / 16	64 QFP	-40 to +105 °C
MCF51JM128EVL D	MCF51JM128 ColdFire Microcontroller with CAU and RNGA Enabled	128 / 16	44 LQFP	-40 to +105 °C
MCF51JM128VLD	MCF51JM128 ColdFire Microcontroller	128 / 16	44 LQFP	-40 to +105 °C
MCF51JM64EVLK	MCF51JM64 ColdFire Microcontroller with CAU and RNGA Enabled	64 / 16	80 LQFP	-40 to +105 °C
MCF51JM64VLK	MCF51JM64 ColdFire Microcontroller	64 / 16	80 LQFP	-40 to +105 °C
MCF51JM64EVLH	MCF51JM64 ColdFire Microcontroller with CAU and RNGA Enabled	64 / 16	64 LQFP	-40 to +105 °C
MCF51JM64VLH	MCF51JM64 ColdFire Microcontroller	64 / 16	64 LQFP	-40 to +105 °C
MCF51JM64EVQH	MCF51JM64 ColdFire Microcontroller with CAU and RNGA Enabled	64 / 16	64 QFP	-40 to +105 °C
MCF51JM64VQH	MCF51JM64 ColdFire Microcontroller	64 / 16	64 QFP	-40 to +105 °C



**Table 3. Orderable Part Number Summary (continued)**

MCF51JM64EVLD	MCF51JM64 ColdFire Microcontroller with CAU and RNGA Enabled	64 / 16	44 LQFP	-40 to +105 °C
MCF51JM64VLD	MCF51JM64 ColdFire Microcontroller	64 / 16	44 LQFP	-40 to +105 °C
MCF51JM32EVLK	MCF51JM32 ColdFire Microcontroller with CAU and RNGA Enabled	32 / 16	80 LQFP	-40 to +105 °C
MCF51JM32VLK	MCF51JM32 ColdFire Microcontroller	32 / 16	80 LQFP	-40 to +105 °C
MCF51JM32EVLH	MCF51JM32 ColdFire Microcontroller with CAU and RNGA Enabled	32 / 16	64 LQFP	-40 to +105 °C
MCF51JM32VLH	MCF51JM32 ColdFire Microcontroller	32 / 16	64 LQFP	-40 to +105 °C
MCF51JM32EVQH	MCF51JM32 ColdFire Microcontroller with CAU and RNGA Enabled	32 / 16	64 QFP	-40 to +105 °C
MCF51JM32VQH	MCF51JM32 ColdFire Microcontroller	32 / 16	64 QFP	-40 to +105 °C
MCF51JM32EVLD	MCF51JM32 ColdFire Microcontroller with CAU and RNGA Enabled	32 / 16	44 LQFP	-40 to +105 °C
MCF51JM32VLD	MCF51JM32 ColdFire Microcontroller	32 / 16	44 LQFP	-40 to +105 °C

# 1.5 Pinouts and Packaging

Figure 2 shows the pinout of the 80-pin LQFP.



Figure 2. 80-pin LQFP

Figure 3 shows the pinout of the 64-pin LQFP and QFP.



Figure 3. 64-pin QFP and LQFP

Figure 4 shows the pinout of the 44-pin LQFP.



Figure 4. 44-pin LQFP

Table 4 shows the package pin assignments.

Table 4. Pin Assignments by Package and Pin Sharing Priority

Pin Number			<-- Lowest Priority --> Highest		
80	64	44	Port Pin	Alt 1	Alt 2
1	1	1	PTC4		—
2	2	2	—	IRQ	TPMCLK
3	3	3	—	RESET	—
4	4	4	PTF0	TPM1CH2	—
5	5	5	PTF1	TPM1CH3	—
6	6	—	PTF2	TPM1CH4	—
7	7	—	PTF3	TPM1CH5	—
8	8	6	PTF4	TPM2CH0	BUSCLK_OUT
9	9	—	PTC6	RXCAN	—
10	10	—	PTF7	TXCAN	—
11	11	7	PTF5	TPM2CH1	—
12	12	—	PTF6	—	—
13	13	8	PTE0	TXD1	—
14	14	9	PTE1	RXD1	—
15	15	10	PTE2	TPM1CH0	—

**Table 4. Pin Assignments by Package and Pin Sharing Priority (continued)**

Pin Number			<-- Lowest Priority --> Highest		
80	64	44	Port Pin	Alt 1	Alt 2
16	16	11	PTE3	TPM1CH1	—
17	—	—	PTC7	—	—
18	—	—	PTH0	SDA2	—
19	—	—	PTH1	SCL2	—
20	—	—	PTH2	RGPIO8	—
21	—	—	PTH3	RGPIO9	—
22	—	—	PTH4	RGPIO10	—
23	17	12	PTE4	MISO1	—
24	18	13	PTE5	MOSI1	—
25	19	14	PTE6	SPSCK1	—
26	20	15	PTE7	$\overline{SS1}$	—
27	21	16	—	—	VDD
28	22	17	—	—	VSS
29	23	18	—	—	USB <sub>BDN</sub>
30	24	19	—	—	USB <sub>BDP</sub>
31	25	20	—	—	VUSB33
32	26	21	PTG0	KBIP0	USB_ALT_CLK
33	27	22	PTG1	KBIP1	—
34	28	—	PTA0	RGPIO0	USB_SESSVLD
35	29	—	PTA1	RGPIO1	USB_SESEND
36	30	—	PTA2	RGPIO2	USB_VBUSVLD
37	31	—	PTA3	RGPIO3	USB_PULLUP(D+)
38	32	—	PTA4	RGPIO4	USB_DM_DOWN
39	33	—	PTA5	RGPIO5	USB_DP_DOWN
40	—	—	PTA6	RGPIO6	USB_ID
41	—	—	PTA7	RGPIO7	—
42	34	23	PTB0	MISO2	ADP0
43	35	24	PTB1	MOSI2	ADP1
44	36	25	PTB2	SPSCK2	ADP2
45	37	26	PTB3	$\overline{SS2}$	ADP3
46	38	27	PTB4	KBIP4	ADP4
47	39	28	PTB5	KBIP5	ADP5
48	40	—	PTB6	ADP6	—

**Table 4. Pin Assignments by Package and Pin Sharing Priority (continued)**

Pin Number			<-- Lowest Priority --> Highest		
80	64	44	Port Pin	Alt 1	Alt 2
49	41	—	PTB7	ADP7	—
50	42	29	PTD0	ADP8	ACMP+
51	43	30	PTD1	ADP9	ACMP-
52	44	31	—	—	VDDA
53	45		—	—	VREFH
54	46	32	—	—	VREFL
55	47		—	—	VSSA
56	48	33	PTD2	KBIP2	ACMPO
57	—	—	PTJ0	RGPIO11	—
58	—	—	PTJ1	RGPIO12	—
59	—	—	PTJ2	RGPIO13	—
60	—	—	PTJ3	RGPIO14	—
61	—	—	PTJ4	RGPIO15	—
62	49	—	PTD3	KBIP3	ADP10
63	50	—	PTD4	ADP11	—
64	51	—	PTD5	—	—
65	52	—	PTD6	—	—
66	53	—	PTD7	—	—
67	54	34	PTG2	KBIP6	—
68	55	35	PTG3	KBIP7	—
69	56	36	—	BKGD	MS
70	57	37	PTG4	XTAL	—
71	58	38	PTG5	EXTAL	—
72	59	39	—	—	VSS
73	—	—	—	—	VDD
74	—	—	PTG6	—	—
75	—	—	PTG7	—	—
76	60	40	PTC0	SCL1	—
77	61	41	PTC1	SDA1	—
78	62	42	PTC2	IRO	—
79	63	43	PTC3	TXD2	—
80	64	44	PTC5	RXD2	—

## 2 Preliminary Electrical Characteristics

This section contains electrical specification tables and reference timing diagrams for the MCF51JM128 microcontroller, including detailed information on power considerations, DC/AC electrical characteristics, and AC timing specifications.

The electrical specifications are preliminary and are from previous designs or design simulations. These specifications may not be fully tested or guaranteed at this early stage of the product life cycle. These specifications will, however, be met for production silicon. Finalized specifications will be published after complete characterization and device qualifications have been completed.

### NOTE

The parameters specified in this data sheet supersede any values found in the module specifications.

### 2.1 Parameter Classification

The electrical parameters shown in this supplement are guaranteed by various methods. To give the customer a better understanding the following classification is used and the parameters are tagged accordingly in the tables where appropriate:

**Table 5. Parameter Classifications**

<b>P</b>	Those parameters are guaranteed during production testing on each individual device.
<b>C</b>	Those parameters are achieved by the design characterization by measuring a statistically relevant sample size across process variations.
<b>T</b>	Those parameters are achieved by design characterization on a small sample size from typical devices under typical conditions unless otherwise noted. All values shown in the typical column are within this category.
<b>D</b>	Those parameters are derived mainly from simulations.

### NOTE

The classification is shown in the column labeled C in the parameter tables where appropriate.

### 2.2 Absolute Maximum Ratings

Absolute maximum ratings are stress ratings only, and functional operation at the maxima is not guaranteed. Stress beyond the limits specified in [Table 6](#) may affect device reliability or cause permanent damage to the device. For functional operating conditions, refer to the remaining tables in this section.

This device contains circuitry protecting against damage due to high static voltage or electrical fields; however, it is advised that normal precautions be taken to avoid application of any voltages higher than maximum-rated voltages to this high-impedance circuit. Reliability of operation is enhanced if unused inputs are tied to an appropriate logic voltage level (for instance,  $V_{SS}$  or  $V_{DD}$ ).

**Table 6. Absolute Maximum Ratings**

Rating	Symbol	Value	Unit
Supply voltage	$V_{DD}$	-0.3 to + 5.8	V
Input voltage	$V_{In}$	- 0.3 to $V_{DD} + 0.3$	V
Instantaneous maximum current (applies to all port pins) <sup>1, 2, 3</sup> Single pin limit	$I_D$	$\pm 25$	mA
Maximum current into $V_{DD}$	$I_{DD}$	120	mA
Storage temperature	$T_{stg}$	-55 to +150	°C
Maximum junction temperature	$T_J$	150	°C

<sup>1</sup> Input must be current limited to the value specified. To determine the value of the required current-limiting resistor, calculate resistance values for positive ( $V_{DD}$ ) and negative ( $V_{SS}$ ) clamp voltages, then use the larger of the two resistance values.

<sup>2</sup> All functional non-supply pins are internally clamped to  $V_{SS}$  and  $V_{DD}$ .

<sup>3</sup> Power supply must maintain regulation within operating  $V_{DD}$  range during instantaneous and operating maximum current conditions. If positive injection current ( $V_{In} > V_{DD}$ ) is greater than  $I_{DD}$ , the injection current may flow out of  $V_{DD}$  and could result in external power supply going out of regulation. Ensure external  $V_{DD}$  load shunt current is greater than maximum injection current. This is the greatest risk when the MCU is not consuming power. Examples: if no system clock is present or if the clock rate is low, which would reduce overall power consumption.

## 2.3 Thermal Characteristics

This section provides information about operating temperature range, power dissipation, and package thermal resistance. Power dissipation on I/O pins is usually small compared to the power dissipation in on-chip logic and it is user-determined rather than being controlled by the MCU design. To take  $P_{I/O}$  into account in power calculations, determine the difference between actual pin voltage and  $V_{SS}$  or  $V_{DD}$  and multiply by the pin current for each I/O pin. Except in cases of unusually high pin current (heavy loads), the difference between pin voltage and  $V_{SS}$  or  $V_{DD}$  is small.

**Table 7. Thermal Characteristics**

Rating	Symbol	Value	Unit
Operating temperature range (packaged)	$T_A$	-40 to +105	°C
Thermal resistance <sup>1,2,3,4</sup>			
80-pin LQFP			
	1s	52	
	2s2p	40	
64-pin LQFP			
	1s	65	
	2s2p	47	°C/W
64-pin QFP			
	1s	54	
	2s2p	40	
44-pin LQFP			
	1s	69	
	2s2p	48	

<sup>1</sup> Junction temperature is a function of die size, on-chip power dissipation, package thermal resistance, mounting site (board) temperature, ambient temperature, air flow, power dissipation of other components on the board, and board thermal resistance.

<sup>2</sup> Junction to Ambient Natural Convection



- <sup>3</sup> 1s - Single Layer Board, one signal layer
- <sup>4</sup> 2s2p - Four Layer Board, 2 signal and 2 power layers

The average chip-junction temperature ( $T_J$ ) in °C can be obtained from:

$$T_J = T_A + (P_D \times \theta_{JA}) \tag{Eqn. 1}$$

where:

$T_A$  = Ambient temperature, °C  
 $\theta_{JA}$  = Package thermal resistance, junction-to-ambient, °C/W  
 $P_D = P_{int} + P_{I/O}$   
 $P_{int} = I_{DD} \times V_{DD}$ , Watts — chip internal power  
 $P_{I/O}$  = Power dissipation on input and output pins — user determined

For most applications,  $P_{I/O} \ll P_{int}$  and can be neglected. An approximate relationship between  $P_D$  and  $T_J$  (if  $P_{I/O}$  is neglected) is:

$$P_D = K \div (T_J + 273^\circ\text{C}) \tag{Eqn. 2}$$

Solving equations 1 and 2 for K gives:

$$K = P_D \times (T_A + 273^\circ\text{C}) + \theta_{JA} \times (P_D)^2 \tag{Eqn. 3}$$

where K is a constant pertaining to the particular part. K can be determined from equation 3 by measuring  $P_D$  (at equilibrium) for a known  $T_A$ . Using this value of K, the values of  $P_D$  and  $T_J$  can be obtained by solving equations 1 and 2 iteratively for any value of  $T_A$ .

## 2.4 Electrostatic Discharge (ESD) Protection Characteristics

Although damage from static discharge is much less common on these devices than on early CMOS circuits, normal handling precautions should be used to avoid exposure to static discharge. Qualification tests are performed to ensure that these devices can withstand exposure to reasonable levels of static without suffering any permanent damage.

All ESD testing is in conformity with CDF-AEC-Q00 Stress Test Qualification for Automotive Grade Integrated Circuits. (<http://www.aecouncil.com/>) This device was qualified to AEC-Q100 Rev E.

A device is considered to have failed if, after exposure to ESD pulses, the device no longer meets the device specification requirements. Complete DC parametric and functional testing is performed per the applicable device specification at room temperature followed by hot temperature, unless specified otherwise in the device specification.

**Table 8. ESD and Latch-up Test Conditions**

Model	Description	Symbol	Value	Unit
Human Body	Series Resistance	R1	1500	Ω
	Storage Capacitance	C	100	pF
	Number of Pulse per pin	–	3	
Latch-up	Minimum input voltage limit		–2.5	V
	Maximum input voltage limit		7.5	V

**Table 9. ESD and Latch-Up Protection Characteristics**

Num	Rating	Symbol	Min	Max	Unit
1	Human Body Model (HBM)	$V_{HBM}$	+/- 2000	—	V
2	Charge Device Model (CDM)	$V_{CDM}$	+/- 500	—	V
3	Latch-up Current at $T_A = 105^\circ\text{C}$	$I_{LAT}$	+/- 100	—	mA

## 2.5 DC Characteristics

This section includes information about power supply requirements, I/O pin characteristics, and power supply current in various operating modes.

**Table 10. DC Characteristics**

Num	C	Parameter	Symbol	Min	Typ <sup>1</sup>	Max	Unit
1		Operating voltage <sup>2</sup>		2.7	—	5.5	V
2	P	Output high voltage — Low Drive (PTxDSn = 0) 5 V, $I_{Load} = -4$ mA 3 V, $I_{Load} = -2$ mA 5 V, $I_{Load} = -2$ mA 3 V, $I_{Load} = -1$ mA	$V_{OH}$	$V_{DD} - 1.5$	—	—	V
		$V_{DD} - 1.5$ $V_{DD} - 0.8$ $V_{DD} - 0.8$		— — —	— — —		
3	P	Output high voltage — High Drive (PTxDSn = 1) 5 V, $I_{Load} = -15$ mA 3 V, $I_{Load} = -8$ mA 5 V, $I_{Load} = -8$ mA 3 V, $I_{Load} = -4$ mA	$V_{OH}$	$V_{DD} - 1.5$	—	—	V
		$V_{DD} - 1.5$ $V_{DD} - 0.8$ $V_{DD} - 0.8$		— — —	— — —		
3	P	Output low voltage — Low Drive (PTxDSn = 0) 5 V, $I_{Load} = 4$ mA 3 V, $I_{Load} = 2$ mA 5 V, $I_{Load} = 2$ mA 3 V, $I_{Load} = 1$ mA	$V_{OL}$		—	1.5 1.5 0.8 0.8	V
		Output low voltage — High Drive (PTxDSn = 1) 5 V, $I_{Load} = 15$ mA 3 V, $I_{Load} = 8$ mA 5 V, $I_{Load} = 8$ mA 3 V, $I_{Load} = 4$ mA			— — — —	1.5 1.5 0.8 0.8	
4	P	Output high current — Max total $I_{OH}$ for all ports 5V 3V	$I_{OHT}$	— —	— —	100 60	mA
5	P	Output low current — Max total $I_{OL}$ for all ports 5V 3V	$I_{OLT}$	— —	— —	100 60	mA
6	P	Input high voltage; all digital inputs	$V_{IH}$				V
		$V_{DD} = 5\text{V}$ $V_{DD} = 3\text{V}$		3.25 2.10	— —	— —	

Table 10. DC Characteristics (continued)

Num	C	Parameter	Symbol	Min	Typ <sup>1</sup>	Max	Unit
7	P	Input low voltage; all digital inputs	$V_{IL}$	—	—	1.75 1.05	V
		$V_{DD} = 5V$ $V_{DD} = 3V$					
8	P	Input hysteresis; all digital inputs	$V_{hys}$	$0.06 \times V_{DD}$			mV
9	P	Input leakage current; input only pins <sup>3</sup>	$ I_{in} $	—	0.1	1	$\mu A$
10	P	High Impedance (off-state) leakage current <sup>3</sup>	$ I_{OZ} $	—	0.1	1	$\mu A$
11	P	Internal pullup resistors <sup>4</sup>	$R_{PU}$	20	45	65	k $\Omega$
12	P	Internal pulldown resistors <sup>5</sup>	$R_{PD}$	20	45	65	k $\Omega$
13		Internal pullup resistor to USBDP (to $V_{USB33}$ )	$R_{PUPD}$	900 1425	1300 2400	1575 3090	k $\Omega$
		Idle Transmit					
14	C	Input Capacitance; all non-supply pins	$C_{in}$	—	—	8	pF
15	D	RAM retention voltage <sup>6</sup>	$V_{RAM}$	—	0.6	1.0	V
16	P	POR rearm voltage	$V_{POR}$	0.9	1.4	2.0	V
17	D	POR rearm time	$t_{POR}$	10	—	—	$\mu s$
18	P	Low-voltage detection threshold — high range	$V_{LVD1}$	3.9 4.0	4.0 4.1	4.1 4.2	V
		$V_{DD}$ falling $V_{DD}$ rising					
19	P	Low-voltage detection threshold — low range	$V_{LVD0}$	2.48 2.54	2.56 2.62	2.64 2.70	V
		$V_{DD}$ falling $V_{DD}$ rising					
20	C	Low-voltage warning threshold — high range 1	$V_{LVW3}$	4.5 4.6	4.6 4.7	4.7 4.8	V
		$V_{DD}$ falling $V_{DD}$ rising					
21	P	Low-voltage warning threshold — high range 0	$V_{LVW2}$	4.2 4.3	4.3 4.4	4.4 4.5	V
		$V_{DD}$ falling $V_{DD}$ rising					
22	P	Low-voltage warning threshold low range 1	$V_{LVW1}$	2.84 2.90	2.92 2.98	3.00 3.06	V
		$V_{DD}$ falling $V_{DD}$ rising					
23	C	Low-voltage warning threshold — low range 0	$V_{LVW0}$	2.66 2.72	2.74 2.80	2.82 2.88	V
		$V_{DD}$ falling $V_{DD}$ rising					
24	T	Low-voltage inhibit reset/recover hysteresis	$V_{hys}$	— —	100 60	— —	mV
		5 V 3 V					

## Preliminary Electrical Characteristics

- 1 Typical values are based on characterization data at 25°C unless otherwise stated.
- 2 Operating voltage with USB enabled can be found in [Section 2.14, "USB Electricals."](#)
- 3 Measured with  $V_{In} = V_{DD}$  or  $V_{SS}$ .
- 4 Measured with  $V_{In} = V_{SS}$ .
- 5 Measured with  $V_{In} = V_{DD}$ .
- 6 This is the voltage below which the contents of RAM are not guaranteed to be maintained.



Figure 5. Typical Low-side Drive (sink) characteristics – High Drive (PTxDSn = 1)



Figure 6. Typical Low-side Drive (sink) characteristics – Low Drive (PTxDSn = 0)



Figure 7. Typical High-side Drive (source) characteristics – High Drive (PTxDSn = 1)



Figure 8. Typical High-side Drive (source) characteristics – Low Drive (PTxDSn = 0)

## 2.6 Supply Current Characteristics

Table 11. Supply Current Characteristics

Num	C	Parameter	Symbol	$V_{DD}$ (V)	Typical <sup>1</sup>	Max <sup>2</sup>	Unit
1	C	Run supply current <sup>3</sup> measured at (CPU clock = 2 MHz, $f_{BUS} = 1$ MHz)	$R_{IDD}$	5	4.0	7	mA
				3	4.0	7	
2	P	Run supply current <sup>3</sup> measured at (CPU clock = 16 MHz, $f_{BUS} = 8$ MHz)		5	19	30	mA
				3	18.7	30	
3	C	Run supply current <sup>3</sup> measured at (CPU clock = 48 MHz, $f_{BUS} = 24$ MHz)		5	45	70	mA
				3	44	70	

**Table 11. Supply Current Characteristics**

Num	C	Parameter	Symbol	V <sub>DD</sub> (V)	Typical <sup>1</sup>	Max <sup>2</sup>	Unit
4	C	Wait mode supply current <sup>3</sup> measured at (CPU clock = 2 MHz, f <sub>BUS</sub> = 1 MHz)	W <sub>I</sub> DD	5	2.03	3	mA
				3	2	3	
5	C	Wait mode supply current <sup>3</sup> measured at (CPU clock = 16 MHz, f <sub>BUS</sub> = 8 MHz)	W <sub>I</sub> DD	5	7.73	12	mA
				3	7.7	12	
6	C	Wait mode supply current <sup>3</sup> measured at (CPU clock = 48 MHz, f <sub>BUS</sub> = 24 MHz)	W <sub>I</sub> DD	5	22	30	mA
				3	21.9	30	
7	C	Stop2 mode supply current	S2 <sub>I</sub> DD	5	1.35	3	μA
						25 °C	
		105 °C	35				
		–40 °C	3				
		25 °C	3				
		105 °C	35				
8	P	Stop3 mode supply current	S3 <sub>I</sub> DD	5	1.41	3	μA
						25 °C	
		105 °C	35				
		–40 °C	3				
		25 °C	3				
		105 °C	35				
9	C	Stop4 mode supply current	S4 <sub>I</sub> DD	5	106	200	μA
						25 °C	
		105 °C	200				
		–40 °C	200				
		25 °C	200				
		105 °C	200				
10	P	RTC adder to stop2 or stop3 <sup>4</sup> , 25°C	S23 <sub>I</sub> DDRTC	5	300	—	nA
				3	300	—	nA
11	P	Adder to stop3 for oscillator enabled <sup>5</sup> (ERCLKEN = 1 and EREFSTEN = 1)	S23 <sub>I</sub> DDOSC	5	5	—	μA
				3	5	—	μA

<sup>1</sup> Typical values are measured at 25°C.

<sup>2</sup> Values given here are preliminary estimates prior to completing characterization.

<sup>3</sup> All modules' clocks are switched on, code runs from flash, in FEI mode, and there are no DC loads on port pins.

<sup>4</sup> Most customers are expected to find that auto-wakeup from stop2 or stop3 can be used instead of the higher current wait mode.

<sup>5</sup> Values given under the following conditions: low range operation (RANGE = 0), low power mode (HGO = 0)

## 2.7 Analog Comparator (ACMP) Electricals

Table 12. Analog Comparator Electrical Specifications

Num	C	Rating	Symbol	Min	Typical	Max	Unit
1		Supply voltage	$V_{DD}$	2.7	—	5.5	V
2		Supply current (active)	$I_{DDAC}$	—	20	35	$\mu\text{A}$
3		Analog input voltage	$V_{AIN}$	$V_{SS} - 0.3$	—	$V_{DD}$	V
4		Analog input offset voltage	$V_{AIO}$		20	40	mV
5		Analog Comparator hysteresis	$V_H$	3.0	6.0	20.0	mV
6		Analog input leakage current	$I_{ALKG}$	--	--	1.0	$\mu\text{A}$
7		Analog Comparator initialization delay	$t_{AINIT}$	—	—	1.0	$\mu\text{s}$
8		Bandgap Voltage Reference Factory trimmed at $V_{DD} = 3.0\text{ V}$ , Temp = 25°C	$V_{BG}$	1.19	1.20	1.21	V

## 2.8 ADC Characteristics

Table 13. 5 Volt 12-bit ADC Operating Conditions

Characteristic	Conditions	Symb	Min	Typ <sup>1</sup>	Max	Unit	Comment
Supply voltage	Absolute	$V_{DDA}$	2.7	—	5.5	V	
	Delta to $V_{DD}$ ( $V_{DD} - V_{DDA}$ ) <sup>2</sup>	$\Delta V_{DDA}$	-100	0	+100	mV	
Ground voltage	Delta to $V_{SS}$ ( $V_{SS} - V_{SSA}$ ) <sup>2</sup>	$\Delta V_{SSA}$	-100	0	+100	mV	
Ref Voltage High		$V_{REFH}$	2.7	$V_{DDA}$	$V_{DDA}$	V	
Ref Voltage Low		$V_{REFL}$	$V_{SSA}$	$V_{SSA}$	$V_{SSA}$	V	
Input Voltage		$V_{ADIN}$	$V_{REFL}$	—	$V_{REFH}$	V	
Input Capacitance		$C_{ADIN}$	—	4.5	5.5	pF	
Input Resistance		$R_{ADIN}$	—	3	5	k $\Omega$	
Analog Source Resistance	12 bit mode $f_{ADCK} > 4\text{MHz}$ $f_{ADCK} < 4\text{MHz}$	$R_{AS}$	—	—	2	k $\Omega$	External to MCU
	10 bit mode $f_{ADCK} > 4\text{MHz}$ $f_{ADCK} < 4\text{MHz}$		—	—	5		
	8 bit mode (all valid $f_{ADCK}$ )		—	—	10		
ADC Conversion Clock Freq.	High Speed (ADLPC=0)	$f_{ADCK}$	0.4	—	8.0	MHz	
	Low Power (ADLPC=1)		0.4	—	4.0		

<sup>1</sup> Typical values assume  $V_{DDA} = 5.0\text{V}$ , Temp = 25°C,  $f_{ADCK} = 1.0\text{MHz}$  unless otherwise stated. Typical values are for reference only and are not tested in production.

<sup>2</sup> DC potential difference.



Figure 9. ADC Input Impedance Equivalency Diagram

Table 14. 5 Volt 12-bit ADC Characteristics ( $V_{REFH} = V_{DDA}$ ,  $V_{REFL} = V_{SSA}$ )

Characteristic	Conditions	C	Symb	Min	Typ <sup>1</sup>	Max	Unit	Comment
Supply Current ADLPC=1 ADLSMP=1 ADCO=1		T	$I_{DDAD}$	—	133	—	$\mu\text{A}$	
Supply Current ADLPC=1 ADLSMP=0 ADCO=1		T	$I_{DDAD}$	—	218	—	$\mu\text{A}$	
Supply Current ADLPC=0 ADLSMP=1 ADCO=1		T	$I_{DDAD}$	—	327	—	$\mu\text{A}$	
Supply Current ADLPC=0 ADLSMP=0 ADCO=1		P	$I_{DDAD}$	—	0.582	1	mA	
Supply Current	Stop, Reset, Module Off		$I_{DDAD}$	—	0.011	1	$\mu\text{A}$	
ADC Asynchronous Clock Source	High Speed (ADLPC=0)	T	$f_{ADACK}$	2	3.3	5	MHz	$t_{ADACK} = 1/f_{ADACK}$
	Low Power (ADLPC=1)			1.25	2	3.3		



**Table 14. 5 Volt 12-bit ADC Characteristics ( $V_{REFH} = V_{DDA}$ ,  $V_{REFL} = V_{SSA}$ ) (continued)**

Characteristic	Conditions	C	Symb	Min	Typ <sup>1</sup>	Max	Unit	Comment
Conversion Time (Including sample time)	Short Sample (ADLSMP=0)	T	$t_{ADC}$	—	20	—	ADCK cycles	See Table 9 for conversion time variances
	Long Sample (ADLSMP=1)			—	40	—		
Sample Time	Short Sample (ADLSMP=0)	T	$t_{ADS}$	—	3.5	—	ADCK cycles	
	Long Sample (ADLSMP=1)			—	23.5	—		
Total Unadjusted Error	12 bit mode	T	$E_{TUE}$	—	$\pm 3.0$	—	LSB <sup>2</sup>	Includes quantization
	10 bit mode	P		—	$\pm 1$	$\pm 2.5$		
	8 bit mode	T		—	$\pm 0.5$	$\pm 1.0$		
Differential Non-Linearity	12 bit mode	T	DNL	—	$\pm 1.75$	—	LSB <sup>2</sup>	
	10 bit mode <sup>3</sup>	P		—	$\pm 0.5$	$\pm 1.0$		
	8 bit mode <sup>3</sup>	T		—	$\pm 0.3$	$\pm 0.5$		
Integral Non-Linearity	12 bit mode	T	INL	—	$\pm 1.5$	—	LSB <sup>2</sup>	
	10 bit mode	T		—	$\pm 0.5$	$\pm 1.0$		
	8 bit mode	T		—	$\pm 0.3$	$\pm 0.5$		
Zero-Scale Error	12 bit mode	T	$E_{ZS}$	—	$\pm 1.5$	—	LSB <sup>2</sup>	$V_{ADIN} = V_{SSAD}$
	10 bit mode	P		—	$\pm 0.5$	$\pm 1.5$		
	8 bit mode	T		—	$\pm 0.5$	$\pm 0.5$		
Full-Scale Error	12 bit mode	T	$E_{FS}$	—	$\pm 1$	—	LSB <sup>2</sup>	$V_{ADIN} = V_{DDAD}$
	10 bit mode	T		—	$\pm 0.5$	$\pm 1$		
	8 bit mode	T		—	$\pm 0.5$	$\pm 0.5$		
Quantization Error	12 bit mode	D	$E_Q$	—	-1 to 0	—	LSB <sup>2</sup>	
	10 bit mode			—	—	$\pm 0.5$		
	8 bit mode			—	—	$\pm 0.5$		
Input Leakage Error	12 bit mode	D	$E_{IL}$	—	$\pm 1$	—	LSB <sup>2</sup>	Pad leakage <sup>4</sup> * $R_{AS}$
	10 bit mode			—	$\pm 0.2$	$\pm 2.5$		
	8 bit mode			—	$\pm 0.1$	$\pm 1$		
Temp Sensor Voltage	25°C	D	$V_{TEMP25}$	—	1.396	—	V	
Temp Sensor Slope	-40°C - 25°C	D	m	—	3.266	—	mV/°C	
	25°C - 125°C			—	3.638	—		

<sup>1</sup> Typical values assume  $V_{DDA} = 5.0V$ , Temp = 25°C,  $f_{ADCK} = 1.0MHz$  unless otherwise stated. Typical values are for reference only and are not tested in production.

<sup>2</sup> 1 LSB =  $(V_{REFH} - V_{REFL})/2^N$

<sup>3</sup> Monotonicity and No-Missing-Codes guaranteed in 10 bit and 8 bit modes

<sup>4</sup> Based on input pad leakage current. Refer to pad electricals.

## 2.9 External Oscillator (XOSC) Characteristics

Table 15. Oscillator Electrical Specifications (Temperature Range = -40 to 105°C Ambient)

Num	C	Rating	Symbol	Min	Typ <sup>1</sup>	Max	Unit	
1		Oscillator crystal or resonator (EREFS = 1, ERCLKEN = 1) • Low range (RANGE = 0) • High range (RANGE = 1) FEE or FBE mode <sup>2</sup> • High range (RANGE = 1) PEE or PBE mode <sup>3</sup> • High range (RANGE = 1, HGO = 1) BLPE mode • High range (RANGE = 1, HGO = 0) BLPE mode	$f_{lo}$	32	—	38.4	kHz	
			$f_{hi-ll}$	1	—	5	MHz	
			$f_{hi-pll}$	1	—	16	MHz	
			$f_{hi-hgo}$	1	—	16	MHz	
			$f_{hi-lp}$	1	—	8	MHz	
2		Load capacitors	$C_1$ $C_2$	See crystal or resonator manufacturer's recommendation.				
3		Feedback resistor • Low range (32 kHz to 38.4 kHz) • High range (1 MHz to 16 MHz)	$R_F$		10 1		MΩ MΩ	
4	—	Series resistor • Low range, low gain (RANGE = 0, HGO = 0) • Low range, high gain (RANGE = 0, HGO = 1) • High range, low gain (RANGE = 1, HGO = 0) • High range, high gain (RANGE = 1, HGO = 1)	$R_S$	≥ 8 MHz	—	0	—	kΩ
				4 MHz	—	100	—	
				1 MHz	—	0	—	
				≥ 8 MHz	—	0	0	
				4 MHz	—	0	10	
				1 MHz	—	0	20	
5	T	Crystal start-up time <sup>4</sup> • Low range, low gain (RANGE = 0, HGO = 0) • Low range, high gain (RANGE = 0, HGO = 1) • High range, low gain (RANGE = 1, HGO = 0) <sup>5</sup> • High range, high gain (RANGE = 1, HGO = 1) <sup>5</sup>	$t_{CSTL-LP}$	—	200	—	ms	
			$t_{CSTL-HGO}$	—	400	—		
			$t_{CSTH-LP}$	—	5	—		
			$t_{CSTH-HGO}$	—	15	—		
6	T	Square wave input clock frequency (EREFS = 0, ERCLKEN = 1) • FEE or FBE mode <sup>2</sup> • PEE or PBE mode <sup>3</sup> • BLPE mode	$f_{extal}$	0.03125	—	5	MHz	
				1	—	16	MHz	
				0	—	40	MHz	

<sup>1</sup> Data in Typical column was characterized at 5.0 V, 25°C or is typical recommended value.

<sup>2</sup> When MCG is configured for FEE or FBE mode, input clock source must be divisible using RDIV to within the range of 31.25 kHz to 39.0625 kHz.

<sup>3</sup> When MCG is configured for PEE or PBE mode, input clock source must be divisible using RDIV to within the range of 1 MHz to 2 MHz.

<sup>4</sup> This parameter is characterized and not tested on each device. Proper PC board-layout procedures must be followed to achieve specifications.

<sup>5</sup> 4 MHz crystal

## 2.10 MCG Specifications

**Table 16. MCG Frequency Specifications (Temperature Range = –40 to 125°C Ambient)**

Num	C	Rating	Symbol	Min	Typical <sup>1</sup>	Max	Unit	
1	P	Internal reference frequency - factory trimmed at $V_{DD} = 5\text{ V}$ and temperature = 25 °C	$f_{int\_ft}$	—	32.768	—	kHz	
2	P	Average internal reference frequency – untrimmed	$f_{int\_ut}$	31.25	—	39.0625	kHz	
3	T	Internal reference startup time	$t_{irefst}$	—	60	100	μs	
4	P	DCO output frequency range - untrimmed <sup>2</sup>	$f_{dco\_ut}$	Low range (DRS=00)	16	—	20	MHz
	Mid range (DRS=01)			32	—	40		
	High range (DRS=10)			48	—	60		
5	P	DCO output frequency <sup>2</sup> Reference = 32768Hz and DMX32 = 1	$f_{dco\_DMX32}$	Low range (DRS=00)	—	19.92	—	MHz
	P			Mid range (DRS=01)	—	39.85	—	
	P			High range (DRS=10)	—	59.77	—	
6	D	Resolution of trimmed DCO output frequency at fixed voltage and temperature (using FTRIM)	$\Delta f_{dco\_res\_t}$	—	±0.1	±0.2	% $f_{dco}$	
7	D	Resolution of trimmed DCO output frequency at fixed voltage and temperature (not using FTRIM)	$\Delta f_{dco\_res\_t}$	—	±0.2	±0.4	% $f_{dco}$	
8	D	Total deviation of trimmed DCO output frequency over voltage and temperature	$\Delta f_{dco\_t}$	—	0.5 –1.0	±2	% $f_{dco}$	
9	D	Total deviation of trimmed DCO output frequency over fixed voltage and temperature range of 0 – 70 °C	$\Delta f_{dco\_t}$	—	±0.5	±1	% $f_{dco}$	
10	D	FLL acquisition time <sup>3</sup>	$t_{fill\_acquire}$	—	—	1	ms	
11	D	PLL acquisition time <sup>4</sup>	$t_{pll\_acquire}$	—	—	1	ms	
12	D	Long term Jitter of DCO output clock (averaged over 2ms interval) <sup>5</sup>	$C_{jitter}$	—	0.02	0.2	% $f_{dco}$	
13	D	VCO operating frequency	$f_{vco}$	7.0	—	55.0	MHz	
14	D	Jitter of PLL output clock measured over 625 ns <sup>6</sup>	$f_{pll\_jitter\_625ns}$	—	0.566 <sup>5</sup>	—	% $f_{pll}$	
15	D	Lock entry frequency tolerance <sup>7</sup>	$D_{lock}$	±1.49	—	±2.98	%	
16	D	Lock exit frequency tolerance <sup>8</sup>	$D_{unl}$	±4.47	—	±5.97	%	
17	D	Lock time — FLL	$t_{fill\_lock}$	—	—	$t_{fill\_acquire} + 1075(1/f_{int\_t})$	s	
18	D	Lock time — PLL	$t_{pll\_lock}$	—	—	$t_{pll\_acquire} + 1075(1/f_{pll\_ref})$	s	
19	D	Loss of external clock minimum frequency – RANGE = 0	$f_{loc\_low}$	$(3/5) \times f_{int}$	—	—	kHz	

<sup>1</sup> Data in Typical column was characterized at 5.0 V, 25C or is typical recommended value

<sup>2</sup> The resulting bus clock frequency should not exceed the maximum specified bus clock frequency of the device.

<sup>3</sup> This specification applies to any time the FLL reference source or reference divider is changed, trim value changed or changing from FLL disabled (BLPE, BLPI) to FLL enabled (FEI, FEE, FBE, FBI). If a crystal/resonator is being used as the reference, this specification assumes it is already running.

<sup>4</sup> This specification applies to any time the PLL VCO divider or reference divider is changed, or changing from PLL disabled (BLPE, BLPI) to PLL enabled (PBE, PEE). If a crystal/resonator is being used as the reference, this specification assumes it is already running.

## Preliminary Electrical Characteristics

- <sup>5</sup> Jitter is the average deviation from the programmed frequency measured over the specified interval at maximum  $f_{BUS}$ . Measurements are made with the device powered by filtered supplies and clocked by a stable external clock signal. Noise injected into the FLL circuitry via  $V_{DD}$  and  $V_{SS}$  and variation in crystal oscillator frequency increase the  $C_{Jitter}$  percentage for a given interval.
- <sup>6</sup> 625 ns represents 5 time quanta for CAN applications, under worst case conditions of 8 MHz CAN bus clock, 1 Mbps CAN bus speed, and 8 time quanta per bit for bit time settings. 5 time quanta is the minimum time between a synchronization edge and the sample point of a bit using 8 time quanta per bit.
- <sup>7</sup> Below  $D_{lock}$  minimum, the MCG is guaranteed to enter lock. Above  $D_{lock}$  maximum, the MCG will not enter lock. But if the MCG is already in lock, then the MCG may stay in lock.
- <sup>8</sup> Below  $D_{unl}$  minimum, the MCG will not exit lock if already in lock. Above  $D_{unl}$  maximum, the MCG is guaranteed to exit lock.

## 2.11 AC Characteristics

This section describes ac timing characteristics for each peripheral system.

### 2.11.1 Control Timing

Table 17. Control Timing

Num	C	Parameter	Symbol	Min	Typ <sup>1</sup>	Max	Unit
1		Bus frequency ( $t_{cyc} = 1/f_{Bus}$ )	$f_{Bus}$	dc	—	24	MHz
2		Internal low-power oscillator period	$t_{LPO}$	700		1300	$\mu$ s
3		External reset pulse width <sup>2</sup> ( $t_{cyc} = 1/f_{Self\_reset}$ )	$t_{extrst}$	100		—	ns
4		Reset low drive	$t_{rstdrv}$	$66 \times t_{cyc}$		—	ns
5		Active background debug mode latch setup time	$t_{MSSU}$	500		—	ns
6		Active background debug mode latch hold time	$t_{MSH}$	100		—	ns
7		IRQ pulse width Asynchronous path <sup>2</sup> Synchronous path <sup>3</sup>	$t_{ILIH}, t_{IHIL}$	100 $1.5 \times t_{cyc}$	—	—	ns
8		KBIPx pulse width Asynchronous path <sup>2</sup> Synchronous path <sup>3</sup>	$t_{ILIH}, t_{IHIL}$	100 $1.5 \times t_{cyc}$	—	—	ns
9		Port rise and fall time (load = 50 pF) <sup>4</sup> Slew rate control disabled (PTxSE = 0) High drive Slew rate control enabled (PTxSE = 1) High drive Slew rate control disabled (PTxSE = 0) Low drive Slew rate control enabled (PTxSE = 1) Low drive	$t_{Rise}, t_{Fall}$	— —	11 35 40 75		ns

<sup>1</sup> Typical values are based on characterization data at  $V_{DD} = 5.0V$ , 25°C unless otherwise stated.

<sup>2</sup> This is the shortest pulse guaranteed to be recognized as a reset pin request. Shorter pulses are not guaranteed to override reset requests from internal sources.

<sup>3</sup> This is the minimum pulse width guaranteed to pass through the pin synchronization circuitry. Shorter pulses may or may not be recognized. In stop mode, the synchronizer is bypassed so shorter pulses can be recognized in that case.

<sup>4</sup> Timing is shown with respect to 20%  $V_{DD}$  and 80%  $V_{DD}$  levels. Temperature range –40°C to 105°C.

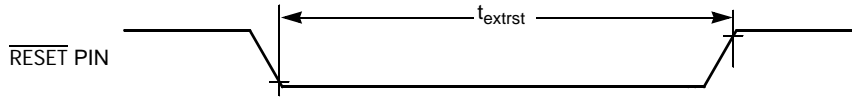


Figure 10. Reset Timing

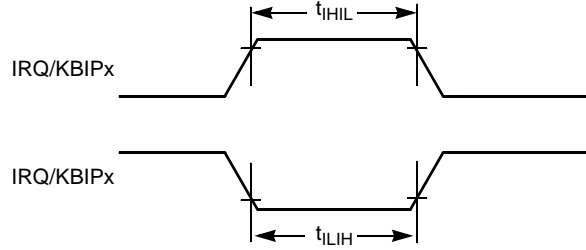


Figure 11. IRQ/KBIPx Timing

### 2.11.2 Timer/PWM (TPM) Module Timing

Synchronizer circuits determine the shortest input pulses that can be recognized or the fastest clock that can be used as the optional external source to the timer counter. These synchronizers operate from the current bus rate clock.

Table 18. TPM Input Timing

NUM	C	Function	Symbol	Min	Max	Unit
1	—	External clock frequency	$f_{TPMext}$	dc	$f_{Bus}/4$	MHZ
2	—	External clock period	$t_{TPMext}$	4	—	$t_{cyc}$
3	D	External clock high time	$t_{clkh}$	1.5	—	$t_{cyc}$
4	D	External clock low time	$t_{clkl}$	1.5	—	$t_{cyc}$
5	D	Input capture pulse width	$t_{ICPW}$	1.5	—	$t_{cyc}$

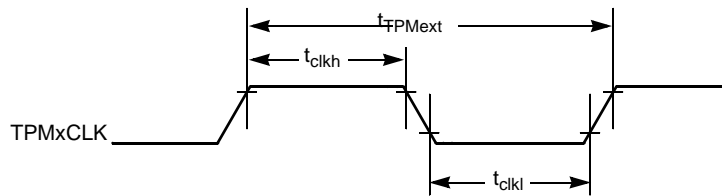


Figure 12. Timer External Clock



Figure 13. Timer Input Capture Pulse

### 2.11.3 MSCAN

Table 19. MSCAN Wake-up Pulse Characteristics

Num	C	Parameter	Symbol	Min	Typ <sup>1</sup>	Max	Unit
1	D	MSCAN Wake-up dominant pulse filtered	$t_{WUP}$			2	$\mu\text{s}$
2	D	MSCAN Wake-up dominant pulse pass	$t_{WUP}$	5		5	$\mu\text{s}$

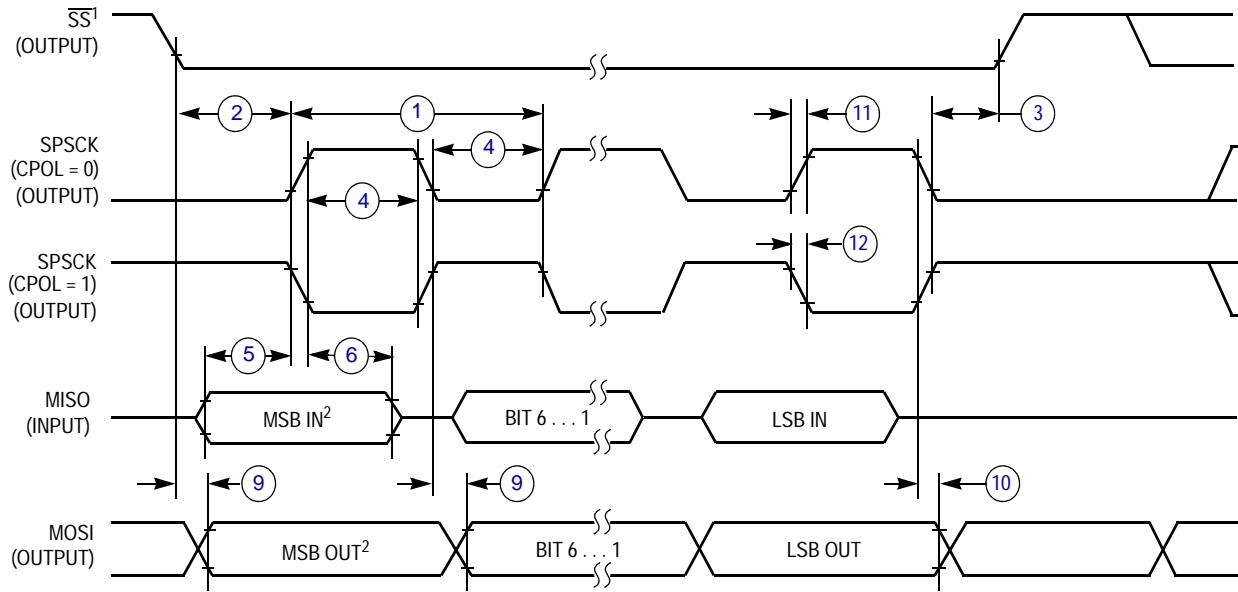
<sup>1</sup> Typical values are based on characterization data at  $V_{DD} = 5.0\text{V}$ ,  $25^\circ\text{C}$  unless otherwise stated.

## 2.12 SPI Characteristics

Table 20 and Figure 14 through Figure 17 describe the timing requirements for the SPI system.

**Table 20. SPI Timing**

No.	C	Function	Symbol	Min	Max	Unit
—	D	Operating frequency Master Slave	$f_{op}$	$f_{Bus}/2048$ 0	$f_{Bus}/2$ $f_{Bus}/4$	Hz
1	D	SPSCK period Master Slave	$t_{SPSCK}$	2 4	2048 —	$t_{cyc}$ $t_{cyc}$
2	D	Enable lead time Master Slave	$t_{Lead}$	1/2 1	— —	$t_{SPSCK}$ $t_{cyc}$
3	D	Enable lag time Master Slave	$t_{Lag}$	1/2 1	— —	$t_{SPSCK}$ $t_{cyc}$
4	D	Clock (SPSCK) high or low time Master Slave	$t_{WSPSCK}$	$t_{cyc} - 30$ $t_{cyc} - 30$	$1024 t_{cyc}$ —	ns ns
5	D	Data setup time (inputs) Master Slave	$t_{SU}$	15 15	— —	ns ns
6	D	Data hold time (inputs) Master Slave	$t_{HI}$	0 25	— —	ns ns
7	D	Slave access time	$t_a$	—	1	$t_{cyc}$
8	D	Slave MISO disable time	$t_{dis}$	—	1	$t_{cyc}$
9	D	Data valid (after SPSCK edge) Master Slave	$t_v$	— —	25 25	ns ns
10	D	Data hold time (outputs) Master Slave	$t_{HO}$	0 0	— —	ns ns
11	D	Rise time Input Output	$t_{RI}$ $t_{RO}$	— —	$t_{cyc} - 25$ 25	ns ns
12	D	Fall time Input Output	$t_{FI}$ $t_{FO}$	— —	$t_{cyc} - 25$ 25	ns ns



NOTES:

1.  $\overline{SS}$  output mode (DDS7 = 1, SSOE = 1).
2. LSBF = 0. For LSBF = 1, bit order is LSB, bit 1, ..., bit 6, MSB.

**Figure 14. SPI Master Timing (CPHA = 0)**

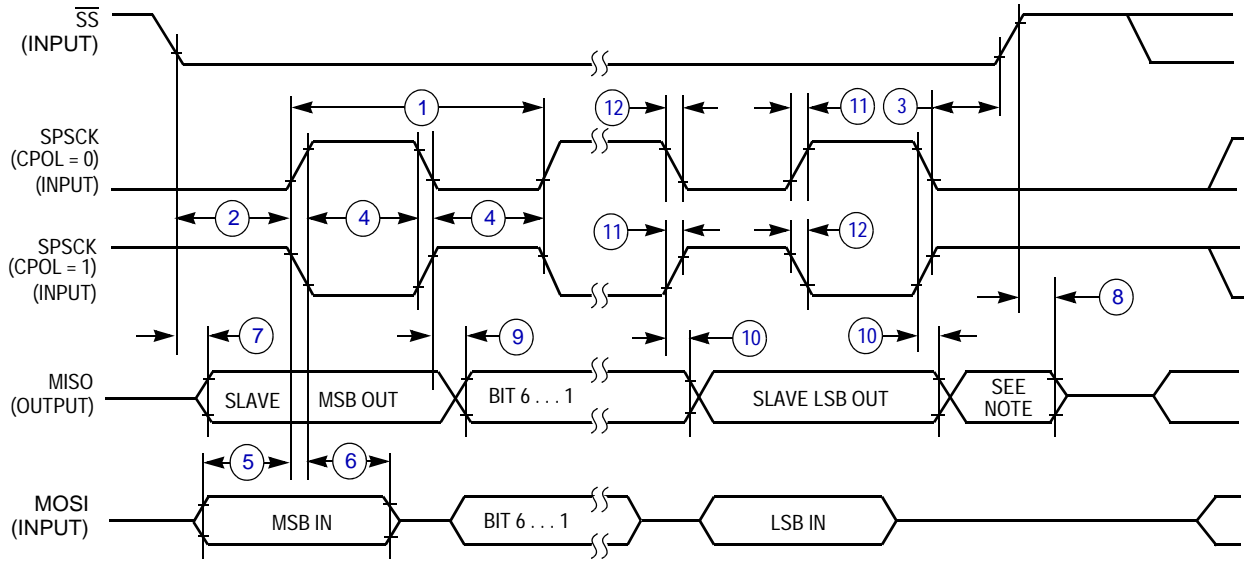


NOTES:

1.  $\overline{SS}$  output mode (DDS7 = 1, SSOE = 1).
2. LSBF = 0. For LSBF = 1, bit order is LSB, bit 1, ..., bit 6, MSB.

**Figure 15. SPI Master Timing (CPHA = 1)**

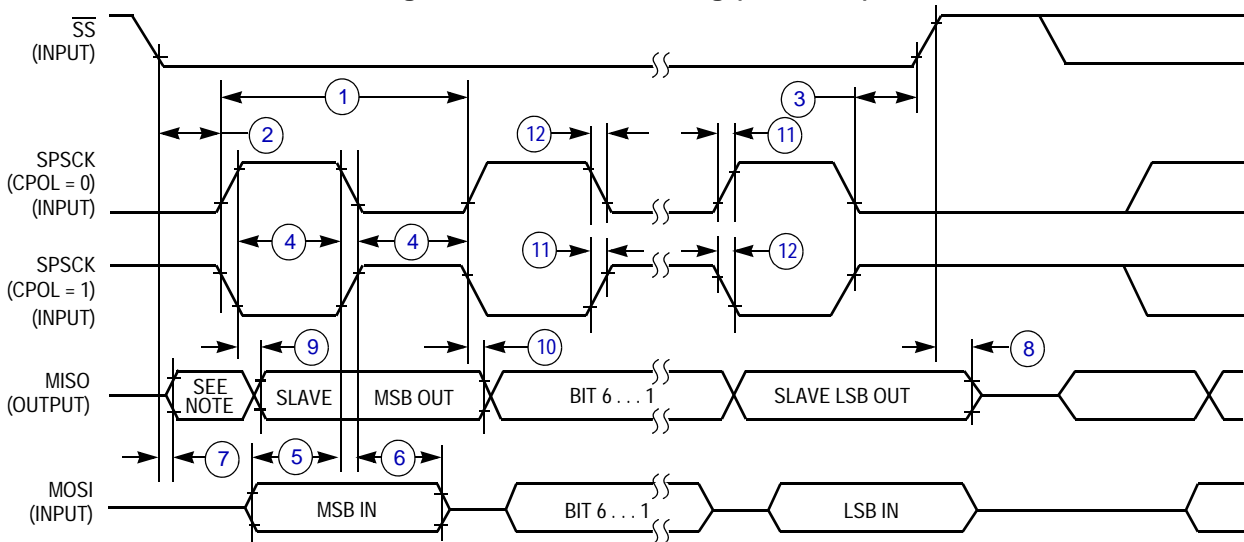




NOTE:

1. Not defined but normally MSB of character just received

**Figure 16. SPI Slave Timing (CPHA = 0)**



NOTE:

1. Not defined but normally LSB of character just received

**Figure 17. SPI Slave Timing (CPHA = 1)**

## 2.13 Flash Specifications

This section provides details about program/erase times and program-erase endurance for the Flash memory.

Program and erase operations do not require any special power sources other than the normal  $V_{DD}$  supply.

**Table 21. Flash Characteristics**

Num	C	Characteristic	Symbol	Min	Typ <sup>1</sup>	Max	Unit
1		Supply voltage for program/erase	$V_{prog/erase}$	2.7		5.5	V
2		Supply voltage for read operation	$V_{Read}$	2.7		5.5	V
3		Internal FCLK frequency <sup>2</sup>	$f_{FCLK}$	150		200	KHz
4		Internal FCLK period (1/FCLK)	$t_{Fcyt}$	5		6.67	$\mu$ s
5		Byte program time (random location) <sup>(2)</sup>	$t_{prog}$	9			$t_{Fcyt}$
6		Byte program time (burst mode) <sup>(2)</sup>	$t_{Burst}$	4			$t_{Fcyt}$
7		Page erase time <sup>3</sup>	$t_{Page}$	4000			$t_{Fcyt}$
8		Mass erase time <sup>(2)</sup>	$t_{Mass}$	20,000			$t_{Fcyt}$
9	C	Program/erase endurance <sup>4</sup> $T_L$ to $T_H = -40^\circ\text{C}$ to $+105^\circ\text{C}$ $T = 25^\circ\text{C}$		10,000 —	— 100,000	— —	cycles
10		Data retention <sup>5</sup>	$t_{D\_ret}$	15	100	—	years

<sup>1</sup> Typical values are based on characterization data at  $V_{DD} = 5.0$  V,  $25^\circ\text{C}$  unless otherwise stated.

<sup>2</sup> The frequency of this clock is controlled by a software setting.

<sup>3</sup> These values are hardware state machine controlled. User code does not need to count cycles. This information supplied for calculating approximate time to program and erase.

<sup>4</sup> Typical endurance for Flash was evaluated for this product family on the 9S12Dx64. For additional information on how Freescale Semiconductor defines typical endurance, please refer to Engineering Bulletin EB619/D, *Typical Endurance for Nonvolatile Memory*.

<sup>5</sup> Typical data retention values are based on intrinsic capability of the technology measured at high temperature and de-rated to  $25^\circ\text{C}$  using the Arrhenius equation. For additional information on how Freescale Semiconductor defines typical data retention, please refer to Engineering Bulletin EB618/D, *Typical Data Retention for Nonvolatile Memory*.

## 2.14 USB Electricals

The USB electricals for the USBOTG module conform to the standards documented by the Universal Serial Bus Implementers Forum. For the most up-to-date standards, visit <http://www.usb.org>.

If the Freescale USBOTG implementation requires additional or deviant electrical characteristics, this space would be used to communicate that information.

**Table 22. Internal USB 3.3V Voltage Regulator Characteristics**

	Symbol	Unit	Min	Typ	Max
<b>Regulator operating voltage</b>	$V_{regin}$	V	3.9	—	5.5
<b>Vreg output</b>	$V_{regout}$	V	3	3.3	3.6
<b>Vusb33 input with internal Vreg disabled</b>	$V_{usb33in}$	V	3	3.3	3.6
<b>VREG Quiescent Current</b>	$I_{VRQ}$	mA	—	0.5	—

## 2.15 EMC Performance

Electromagnetic compatibility (EMC) performance is highly dependant on the environment in which the MCU resides. Board design and layout, circuit topology choices, location and characteristics of external components as well as MCU software operation all play a significant role in EMC performance. The system designer should consult Freescale applications notes such as AN2321, AN1050, AN1263, AN2764, and AN1259 for advice and guidance specifically targeted at optimizing EMC performance.

### 2.15.1 Radiated Emissions

Microcontroller radiated RF emissions are measured from 150 kHz to 1 GHz using the TEM/GTEM Cell method in accordance with the IEC 61967-2 and SAE J1752/3 standards. The measurement is performed with the microcontroller installed on a custom EMC evaluation board while running specialized EMC test software. The radiated emissions from the microcontroller are measured in a TEM cell in two package orientations (North and East). For more detailed information concerning the evaluation results, conditions and setup, please refer to the EMC Evaluation Report for this device.

# 3 Mechanical Outline Drawings

## 3.1 80-pin LQFP



Figure 18. 80-pin LQFP Diagram - I



Figure 19. 80-pin LQFP Diagram - II

<p>© FREESCALE SEMICONDUCTOR, INC. ALL RIGHTS RESERVED. ELECTRONIC VERSIONS ARE UNCONTROLLED EXCEPT WHEN ACCESSED DIRECTLY FROM THE DOCUMENT CONTROL REPOSITORY. PRINTED VERSIONS ARE UNCONTROLLED EXCEPT WHEN STAMPED "CONTROLLED COPY" IN RED.</p>	<b>MECHANICAL OUTLINES DICTIONARY</b>	DOCUMENT NO: 98ARL10530D	
	<b>DO NOT SCALE THIS DRAWING</b>	PAGE:	1418
REV:		C	
<p>NOTES:</p> <ol style="list-style-type: none"> <li>1. DIMENSIONS ARE IN MILLIMETERS.</li> <li>2. DIMENSIONING AND TOLERANCING PER ASME Y14.5M-1994.</li> <li>3. DATUMS A, B AND D TO BE DETERMINED AT DATUM PLANE H.</li> <li>4. DIMENSIONS TO BE DETERMINED AT SEATING PLANE C.</li> <li>5. THIS DIMENSION DOES NOT INCLUDE DAMBAR PROTRUSION. ALLOWABLE DAMBAR PROTRUSION SHALL NOT CAUSE THE LEAD WIDTH TO EXCEED THE UPPER LIMIT BY MORE THAN 0.08 mm AT MAXIMUM MATERIAL CONDITION. DAMBAR CANNOT BE LOCATED ON THE LOWER RADIUS OR THE FOOT. MINIMUM SPACE BETWEEN PROTRUSION AND ADJACENT LEAD SHALL NOT BE LESS THAN 0.07 mm.</li> <li>6. THIS DIMENSION DOES NOT INCLUDE MOLD PROTRUSION. ALLOWABLE PROTRUSION IS 0.25 mm PER SIDE. THIS DIMENSION IS MAXIMUM PLASTIC BODY SIZE DIMENSION INCLUDING MOLD MISMATCH.</li> <li>7. EXACT SHAPE OF EACH CORNER IS OPTIONAL.</li> <li>8. THESE DIMENSIONS APPLY TO THE FLAT SECTION OF THE LEAD BETWEEN 0.1 mm AND 0.25 mm FROM THE LEAD TIP.</li> </ol>			
TITLE: 80LD LQFP, 14 X 14 X 1.4 PKG, 0.65 PITCH, CASE OUTLINE		CASE NUMBER: 1418-01	
		STANDARD: NON-JEDEC	
		PACKAGE CODE: 8245	SHEET: 3 OF 4

**Figure 20. 80-pin LQFP Diagram - III**

### 3.2 64-pin LQFP



Figure 21. 64-pin LQFP Diagram - I

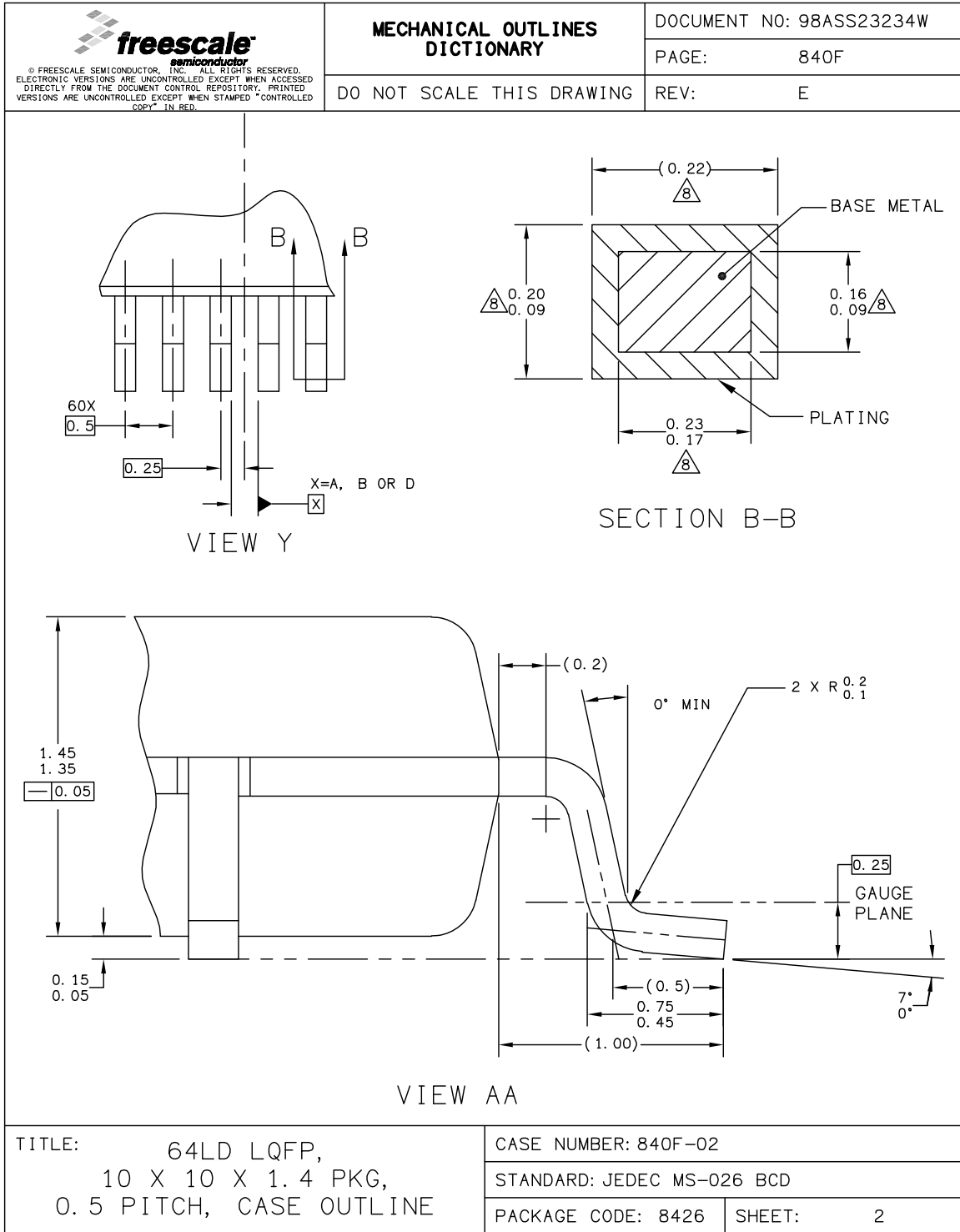


Figure 22. 64-pin LQFP Diagram - II



<p>© FREESCALE SEMICONDUCTOR, INC. ALL RIGHTS RESERVED. ELECTRONIC VERSIONS ARE UNCONTROLLED EXCEPT WHEN ACCESSED DIRECTLY FROM THE DOCUMENT CONTROL REPOSITORY. PRINTED VERSIONS ARE UNCONTROLLED EXCEPT WHEN STAMPED "CONTROLLED COPY" IN RED.</p>	<b>MECHANICAL OUTLINES DICTIONARY</b>	DOCUMENT NO: 98ASS23234W	
	<b>DO NOT SCALE THIS DRAWING</b>	PAGE:	840F
		REV:	E
<p>NOTES:</p> <ol style="list-style-type: none"> <li>1. DIMENSIONS ARE IN MILLIMETERS.</li> <li>2. DIMENSIONING AND TOLERANCING PER ASME Y14.5M-1994.</li> <li>3. DATUMS A, B AND D TO BE DETERMINED AT DATUM PLANE H.</li> <li>4. DIMENSIONS TO BE DETERMINED AT SEATING PLANE C.</li> <li>5. THIS DIMENSION DOES NOT INCLUDE DAMBAR PROTRUSION. ALLOWABLE DAMBAR PROTRUSION SHALL NOT CAUSE THE LEAD WIDTH TO EXCEED THE UPPER LIMIT BY MORE THAN 0.08 mm AT MAXIMUM MATERIAL CONDITION. DAMBAR CANNOT BE LOCATED ON THE LOWER RADIUS OR THE FOOT. MINIMUM SPACE BETWEEN PROTRUSION AND ADJACENT LEAD SHALL NOT BE LESS THAN 0.07 mm.</li> <li>6. THIS DIMENSION DOES NOT INCLUDE MOLD PROTRUSION. ALLOWABLE PROTRUSION IS 0.25 mm PER SIDE. THIS DIMENSION IS MAXIMUM PLASTIC BODY SIZE DIMENSION INCLUDING MOLD MISMATCH.</li> <li>7. EXACT SHAPE OF EACH CORNER IS OPTIONAL.</li> <li>8. THESE DIMENSIONS APPLY TO THE FLAT SECTION OF THE LEAD BETWEEN 0.1 mm AND 0.25 mm FROM THE LEAD TIP.</li> </ol>			
TITLE: 64LD LQFP, 10 X 10 X 1.4 PKG, 0.5 PITCH, CASE OUTLINE		CASE NUMBER: 840F-02	
		STANDARD: JEDEC MS-026 BCD	
		PACKAGE CODE: 8426	SHEET: 3

**Figure 23. 64-pin LQFP Diagram - III**

### 3.3 64-pin QFP



Figure 24. 64-pin QFP Diagram - I



Figure 25. 64-pin QFP Diagram - II

<p>© FREESCALE SEMICONDUCTOR, INC. ALL RIGHTS RESERVED. ELECTRONIC VERSIONS ARE UNCONTROLLED EXCEPT WHEN ACCESSED DIRECTLY FROM THE DOCUMENT CONTROL REPOSITORY. PRINTED VERSIONS ARE UNCONTROLLED EXCEPT WHEN STAMPED "CONTROLLED COPY" IN RED.</p>	MECHANICAL OUTLINES DICTIONARY	DOCUMENT NO: 98ASB42844B
	DO NOT SCALE THIS DRAWING	PAGE: 840B REV: B
<p>NOTES:</p> <ol style="list-style-type: none"> <li>DIMENSIONING AND TOLERANCING PER ASME Y14.5M, 1994.</li> <li>CONTROLLING DIMENSION: MILLIMETER.</li> <li>DATUM PLANE -H- IS LOCATED AT BOTTOM OF LEAD AND IS COINCIDENT WITH THE LEAD WHERE THE LEAD EXITS THE PLASTIC BODY AT THE BOTTOM OF THE PARTING LINE.</li> <li>DATUMS A-B AND -D- TO BE DETERMINED AT DATUM PLANE -H-.</li> </ol> <p>⑤ DIMENSIONS TO BE DETERMINED AT SEATING PLANE -C-.</p> <p>⑥ DIMENSIONS DO NOT INCLUDE MOLD PROTRUSION. ALLOWABLE PROTRUSION IS 0.25mm PER SIDE. DIMENSIONS DO INCLUDE MOLD MISMATCH AND ARE DETERMINED AT DATUM PLANE -H-.</p> <p>⑦ DIMENSION DOES NOT INCLUDE DAMBAR PROTRUSION. ALLOWABLE DAMBAR PROTRUSION SHALL BE 0.08mm TOTAL IN EXCESS OF THE DIMENSION AT MAXIMUM MATERIAL CONDITION. DAMBAR CANNOT BE LOCATED ON THE LOWER RADIUS OR THE FOOT.</p>		
<p>TITLE:</p> <p>64LD QFP (14 X 14)</p>	CASE NUMBER: 840B-01	
	STANDARD: NON-JEDEC	
	PACKAGE CODE: 6057	SHEET: 3 OF 4

Figure 26. 64-pin QFP Diagram - III

### 3.4 44-pin LQFP



Figure 27. 44-pin LQFP Diagram - I



Figure 28. 44-pin LQFP Diagram - II

<p>© FREESCALE SEMICONDUCTOR, INC. ALL RIGHTS RESERVED. ELECTRONIC VERSIONS ARE UNCONTROLLED EXCEPT WHEN ACCESSED DIRECTLY FROM THE DOCUMENT CONTROL REPOSITORY. PRINTED VERSIONS ARE UNCONTROLLED EXCEPT WHEN STAMPED "CONTROLLED COPY" IN RED.</p>	MECHANICAL OUTLINES DICTIONARY	DOCUMENT NO: 98ASS23225W
	DO NOT SCALE THIS DRAWING	PAGE: 824D REV: D
<p>NOTES:</p> <ol style="list-style-type: none"> <li>DIMENSIONS AND TOLERANCING PER ASME Y14.5M-1994.</li> <li>CONTROLLING DIMENSION: MILLIMETER</li> <li>DATUM PLANE H IS LOCATED AT BOTTOM OF LEAD AND IS COINCIDENT WITH THE LEAD WHERE THE LEAD EXITS THE PLASTIC BODY AT THE BOTTOM OF THE PARTING LINE.</li> <li>DATUMS L, M AND N TO BE DETERMINED AT DATUM PLANE H.</li> <li> DIMENSIONS TO BE DETERMINED AT SEATING PLANE T.</li> <li> DIMENSIONS DO NOT INCLUDE MOLD PROTRUSION. ALLOWABLE PROTRUSION IS 0.25 PER SIDE. DIMENSIONS DO INCLUDE MOLD MISMATCH AND ARE DETERMINED AT DATUM PLANE H.</li> <li> DIMENSION DOES NOT INCLUDE DAMBAR PROTRUSION. DAMBAR PROTRUSION SHALL NOT CAUSE THE DIMENSION TO EXCEED 0.53. MINIMUM SPACE BETWEEN PROTRUSION AND ADJACENT LEAD OR PROTRUSION 0.07.</li> </ol>		
TITLE: 44 LD LQFP, 10 X 10 PKG, 0.8 PITCH, 1.4 THICK	CASE NUMBER: 824D-02	
	STANDARD: JEDEC MS-026 BCB	
	PACKAGE CODE: 8256	SHEET: 3 OF 4

Figure 29. 44-pin LQFP Diagram - III

## 4 Revision History

This section lists major changes between versions of the MCF51JM128 Data Sheet document.

**Table 23. Changes Between Revisions**

Revision	Description
1	<p>Updated features list</p> <p>Updated the figures Typical Low-side Drive (sink) characteristics – High Drive (PTxDSn = 1), Typical Low-side Drive (sink) characteristics – Low Drive (PTxDSn = 0), and Typical High-side Drive (source) characteristics – High Drive (PTxDSn = 1)</p> <p>Added the figure Typical High-side Drive (source) characteristics – Low Drive (PTxDSn = 0)</p> <p>Updated the table Supply Current Characteristics</p> <p>Updated the table Oscillator Electrical Specifications (Temperature Range = –40 to 105°C Ambient)</p> <p>Updated the table SPI Electrical Characteristic, DC Characteristics</p>
2	<p>Updated the table Orderable Part Number Summary, DC Characteristics, and Supply Current Characteristics</p>
3	<p>Updated the table Orderable Part Number Summary, MCG Characteristics, SPI Characteristics, and Supply Current Characteristics</p> <p>Changed <math>V_{DDAD}</math> to <math>V_{DDA}</math>, <math>V_{SSAD}</math> to <math>V_{SSA}</math></p> <p>Updated the table Device comparison</p>
4	<p>Added “RAM retention voltage” parameter in “DC Characteristics” table, alongwith a table note.</p> <p>Added “Temp sensor voltage” parameter in “5 Volt 12-bit ADC Characteristics (<math>V_{REFH} = V_{DDA}</math>, <math>V_{REFL} = V_{SSA}</math>)” table.</p> <p>Added “Temp sensor slope” parameter in 5 Volt 12-bit ADC Characteristics (<math>V_{REFH} = V_{DDA}</math>, <math>V_{REFL} = V_{SSA}</math>) table. Also, corrected unit of “Temp sensor voltage” parameter in 5 Volt 12-bit ADC Characteristics (<math>V_{REFH} = V_{DDA}</math>, <math>V_{REFL} = V_{SSA}</math>) table.</p>



## **How to Reach Us:**

### **Home Page:**

[www.freescale.com](http://www.freescale.com)

### **Web Support:**

<http://www.freescale.com/support>

### **USA/Europe or Locations Not Listed:**

Freescale Semiconductor, Inc.  
Technical Information Center, EL516  
2100 East Elliot Road  
Tempe, Arizona 85284  
1-800-521-6274 or +1-480-768-2130  
[www.freescale.com/support](http://www.freescale.com/support)

Europe, Middle East, and Africa:  
Freescale Halbleiter Deutschland GmbH  
Technical Information Center  
Schatzbogen 7  
81829 Muenchen, Germany  
+44 1296 380 456 (English)  
+46 8 52200080 (English)  
+49 89 92103 559 (German)  
+33 1 69 35 48 48 (French)  
[www.freescale.com/support](http://www.freescale.com/support)

### **Japan:**

Freescale Semiconductor Japan Ltd. Headquarters  
ARCO Tower 15F  
1-8-1, Shimo-Meguro, Meguro-ku,  
Tokyo 153-0064  
Japan  
0120 191014 or +81 3 5437 9125  
[support.japan@freescale.com](mailto:support.japan@freescale.com)

### **Asia/Pacific:**

Freescale Semiconductor China Ltd.  
Exchange Building 23F  
No. 118 Jianguo Road  
Chaoyang District  
Beijing 100022  
China  
+86 10 5879 8000  
[support.asia@freescale.com](mailto:support.asia@freescale.com)

Freescale Semiconductor Literature Distribution Center  
1-800-441-2447 or +1-303-675-2140  
Fax: +1-303-675-2150  
[LDCForFreescaleSemiconductor@hibbertgroup.com](mailto:LDCForFreescaleSemiconductor@hibbertgroup.com)

Information in this document is provided solely to enable system and software implementers to use Freescale Semiconductor products. There are no express or implied copyright licenses granted hereunder to design or fabricate any integrated circuits or integrated circuits based on the information in this document.

Freescale Semiconductor reserves the right to make changes without further notice to any products herein. Freescale Semiconductor makes no warranty, representation or guarantee regarding the suitability of its products for any particular purpose, nor does Freescale Semiconductor assume any liability arising out of the application or use of any product or circuit, and specifically disclaims any and all liability, including without limitation consequential or incidental damages. "Typical" parameters that may be provided in Freescale Semiconductor data sheets and/or specifications can and do vary in different applications and actual performance may vary over time. All operating parameters, including "Typicals", must be validated for each customer application by customer's technical experts. Freescale Semiconductor does not convey any license under its patent rights nor the rights of others. Freescale Semiconductor products are not designed, intended, or authorized for use as components in systems intended for surgical implant into the body, or other applications intended to support or sustain life, or for any other application in which the failure of the Freescale Semiconductor product could create a situation where personal injury or death may occur. Should Buyer purchase or use Freescale Semiconductor products for any such unintended or unauthorized application, Buyer shall indemnify and hold Freescale Semiconductor and its officers, employees, subsidiaries, affiliates, and distributors harmless against all claims, costs, damages, and expenses, and reasonable attorney fees arising out of, directly or indirectly, any claim of personal injury or death associated with such unintended or unauthorized use, even if such claim alleges that Freescale Semiconductor was negligent regarding the design or manufacture of the part.

Freescale™ and the Freescale logo are trademarks of Freescale Semiconductor, Inc. The described product contains a PowerPC processor core. The PowerPC name is a trademark of IBM Corp. and used under license. All other product or service names are the property of their respective owners.  
© Freescale Semiconductor, Inc. 2008, 2009, 2010, 2011. All rights reserved.

MCF51JM128  
Rev. 4  
05/2012



Компания «ЭлектроПласт» предлагает заключение долгосрочных отношений при поставках импортных электронных компонентов на взаимовыгодных условиях!

Наши преимущества:

- Оперативные поставки широкого спектра электронных компонентов отечественного и импортного производства напрямую от производителей и с крупнейших мировых складов;
- Поставка более 17-ти миллионов наименований электронных компонентов;
- Поставка сложных, дефицитных, либо снятых с производства позиций;
- Оперативные сроки поставки под заказ (от 5 рабочих дней);
- Экспресс доставка в любую точку России;
- Техническая поддержка проекта, помощь в подборе аналогов, поставка прототипов;
- Система менеджмента качества сертифицирована по Международному стандарту ISO 9001;
- Лицензия ФСБ на осуществление работ с использованием сведений, составляющих государственную тайну;
- Поставка специализированных компонентов (Xilinx, Altera, Analog Devices, Intersil, Interpoint, Microsemi, Aeroflex, Peregrine, Syfer, Eurofarad, Texas Instrument, Miteq, Cobham, E2V, MA-COM, Hittite, Mini-Circuits, General Dynamics и др.);

Помимо этого, одним из направлений компании «ЭлектроПласт» является направление «Источники питания». Мы предлагаем Вам помощь Конструкторского отдела:

- Подбор оптимального решения, техническое обоснование при выборе компонента;
- Подбор аналогов;
- Консультации по применению компонента;
- Поставка образцов и прототипов;
- Техническая поддержка проекта;
- Защита от снятия компонента с производства.



#### Как с нами связаться

**Телефон:** 8 (812) 309 58 32 (многоканальный)

**Факс:** 8 (812) 320-02-42

**Электронная почта:** [org@eplast1.ru](mailto:org@eplast1.ru)

**Адрес:** 198099, г. Санкт-Петербург, ул. Калинина, дом 2, корпус 4, литера А.