

# A81-1 / SMA81-1

## Cascadable Amplifier 20 to 250 MHz

Rev. V3

### Features

- High Reverse Isolation : >30 dBm (TYP.)
- Low Noise: 2.4 dB (TYP.)
- High Gain: 25 dB (TYP.)
- High Level Output: +13.5 dBm (TYP.)

### Description

The A81-1 RF amplifier is a discrete hybrid design, which uses thin film manufacturing processes for accurate performance and high reliability.

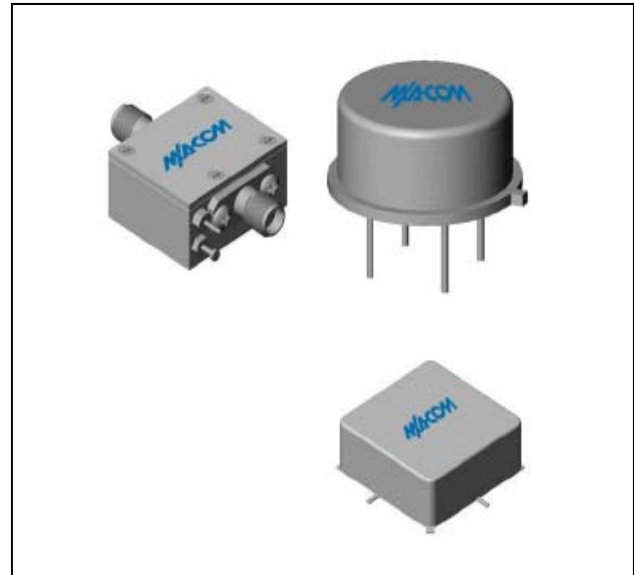
The 2 stage silicon bipolar feedback amplifier design displays impressive performance over a broadband frequency range. An isolation transformer is used in the feedback loop, with the benefit of high reverse isolation. Both TO-8 and Surface Mount packages are hermetically sealed, and MIL-STD-883 environmental screening is available.

### Ordering Information

| Part Number | Package           |
|-------------|-------------------|
| A81-1       | TO-8              |
| SMA81-1     | Surface Mount     |
| CA81-1**    | SMA Connectorized |

\*\* The connectorized version is not RoHs compliant.

### Product Image



### Electrical Specifications: $Z_0 = 50\Omega$ , $V_{CC} = 15 V_{DC}$

| Parameter                       | Units | Typical       | Guaranteed    |               |
|---------------------------------|-------|---------------|---------------|---------------|
|                                 |       | 25°C          | 0° to 50°C    | -54° to +85°C |
| Frequency                       | MHz   | 10-300        | 20-250        | 20-250        |
| Small Signal Gain (min)         | dB    | 25.0          | 24.0          | 23.5          |
| Gain Flatness (max)             | dB    | ±0.1          | ±0.5          | ±0.7          |
| Reverse Isolation               | dB    | 31            |               |               |
| Noise Figure (max)              | dB    | 2.5           | 3.3           | 3.8           |
| Power Output @ 1 dB comp. (min) | dBm   | 13.5          | 12.5          | 12.0          |
| IP3                             | dBm   | +27           |               |               |
| IP2                             | dBm   | +33           |               |               |
| Second Order Harmonic IP        | dBm   | +41           |               |               |
| VSWR Input / Output (max)       |       | 1.5:1 / 1.5:1 | 1.9:1 / 1.9:1 | 2.0:1 / 2.0:1 |
| DC Current (max)                | mA    | 25            | 27            | 29            |

### Absolute Maximum Ratings

| Parameter                              | Absolute Maximum |
|--|------------------|
| Storage Temperature                    | -62°C to +125°C  |
| Case Temperature                       | 125°C            |
| DC Voltage                             | +17 V            |
| Continuous Input Power                 | +10 dBm          |
| Short Term Input power (1 minute max.) | 50 mW            |
| Peak Power (3 µsec max.)               | 0.5 W            |
| "S" Series Burn-In Temperature (case)  | 125°C            |

### Thermal Data: $V_{CC} = 15 V_{DC}$

| Parameter                                     | Rating  |
|---|---------|
| Thermal Resistance $\theta_{jc}$              | 171°C/W |
| Transistor Power Dissipation $P_d$            | 0.098 W |
| Junction Temperature Rise Above Case $T_{jc}$ | 17°C    |

\* Over temperature performance limits for part number CA81-1, guaranteed from 0°C to +50°C only.

1

**ADVANCED:** Data Sheets contain information regarding a product M/A-COM Technology Solutions is considering for development. Performance is based on target specifications, simulated results, and/or prototype measurements. Commitment to develop is not guaranteed.

**PRELIMINARY:** Data Sheets contain information regarding a product M/A-COM Technology Solutions has under development. Performance is based on engineering tests. Specifications are typical. Mechanical outline has been fixed. Engineering samples and/or test data may be available. Commitment to produce in volume is not guaranteed.

• **North America** Tel: 800.366.2266 • **Europe** Tel: +353.21.244.6400  
 • **India** Tel: +91.80.4155721 • **China** Tel: +86.21.2407.1588  
 Visit [www.macomtech.com](http://www.macomtech.com) for additional data sheets and product information.

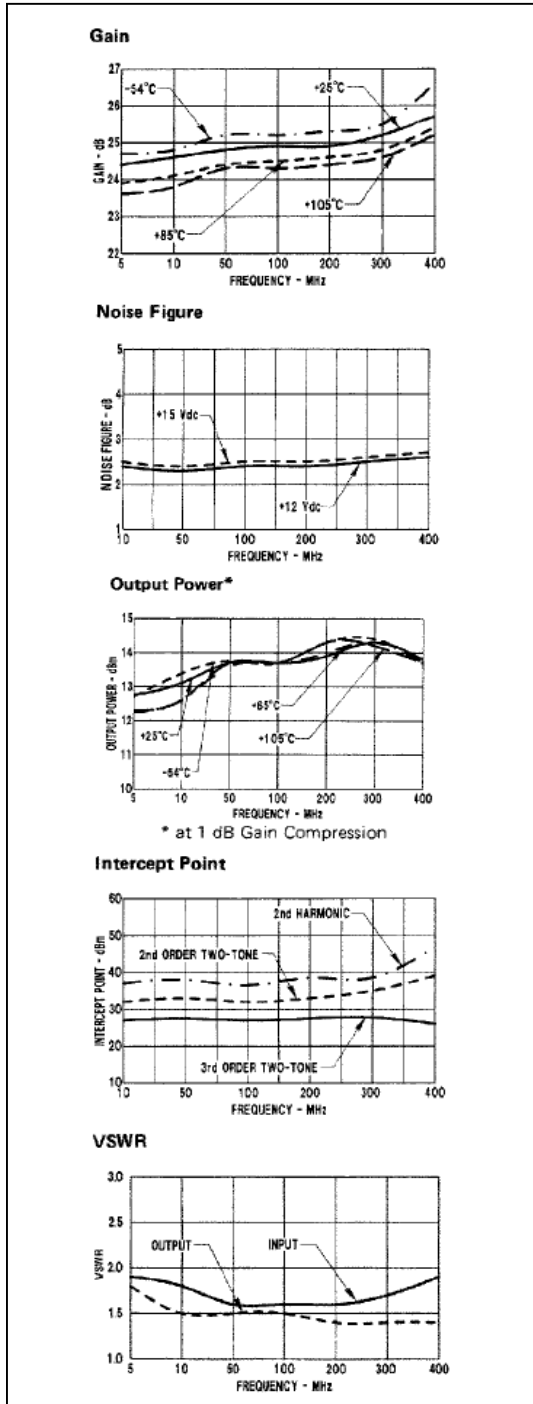
M/A-COM Technology Solutions Inc. and its affiliates reserve the right to make changes to the product(s) or information contained herein without notice.

# A81-1 / SMA81-1

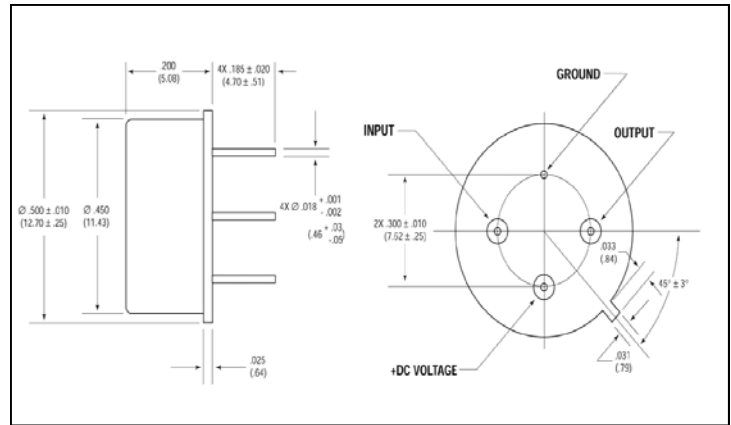
Cascadable Amplifier  
20 to 250 MHz

Rev. V3

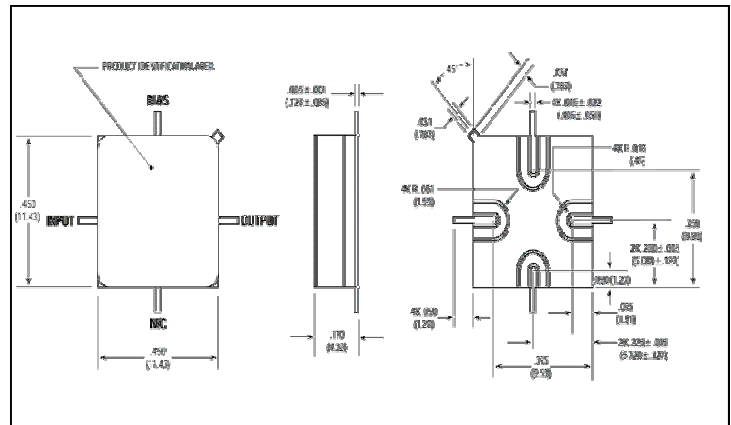
## Typical Performance Curves



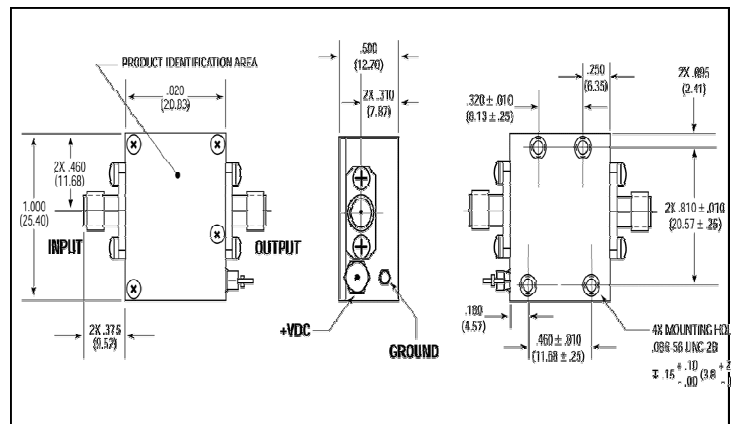
## Outline Drawing: TO-8 \*



## Outline Drawing: Surface Mount



## Outline Drawing: SMA Connectorized



\* Dimensions are inches (millimeters) ±0.015 (0.38) unless otherwise specified.

2

**ADVANCED:** Data Sheets contain information regarding a product M/A-COM Technology Solutions is considering for development. Performance is based on target specifications, simulated results, and/or prototype measurements. Commitment to develop is not guaranteed.  
**PRELIMINARY:** Data Sheets contain information regarding a product M/A-COM Technology Solutions has under development. Performance is based on engineering tests. Specifications are typical. Mechanical outline has been fixed. Engineering samples and/or test data may be available. Commitment to produce in volume is not guaranteed.

• **North America** Tel: 800.366.2266 • **Europe** Tel: +353.21.244.6400  
 • **India** Tel: +91.80.4155721 • **China** Tel: +86.21.2407.1588  
 Visit [www.macomtech.com](http://www.macomtech.com) for additional data sheets and product information.

M/A-COM Technology Solutions Inc. and its affiliates reserve the right to make changes to the product(s) or information contained herein without notice.



Компания «ЭлектроПласт» предлагает заключение долгосрочных отношений при поставках импортных электронных компонентов на взаимовыгодных условиях!

Наши преимущества:

- Оперативные поставки широкого спектра электронных компонентов отечественного и импортного производства напрямую от производителей и с крупнейших мировых складов;
- Поставка более 17-ти миллионов наименований электронных компонентов;
- Поставка сложных, дефицитных, либо снятых с производства позиций;
- Оперативные сроки поставки под заказ (от 5 рабочих дней);
- Экспресс доставка в любую точку России;
- Техническая поддержка проекта, помощь в подборе аналогов, поставка прототипов;
- Система менеджмента качества сертифицирована по Международному стандарту ISO 9001;
- Лицензия ФСБ на осуществление работ с использованием сведений, составляющих государственную тайну;
- Поставка специализированных компонентов (Xilinx, Altera, Analog Devices, Intersil, Interpoint, Microsemi, Aeroflex, Peregrine, Syfer, Eurofarad, Texas Instrument, Miteq, Cobham, E2V, MA-COM, Hittite, Mini-Circuits, General Dynamics и др.);

Помимо этого, одним из направлений компании «ЭлектроПласт» является направление «Источники питания». Мы предлагаем Вам помощь Конструкторского отдела:

- Подбор оптимального решения, техническое обоснование при выборе компонента;
- Подбор аналогов;
- Консультации по применению компонента;
- Поставка образцов и прототипов;
- Техническая поддержка проекта;
- Защита от снятия компонента с производства.



#### Как с нами связаться

**Телефон:** 8 (812) 309 58 32 (многоканальный)

**Факс:** 8 (812) 320-02-42

**Электронная почта:** [org@eplast1.ru](mailto:org@eplast1.ru)

**Адрес:** 198099, г. Санкт-Петербург, ул. Калинина, дом 2, корпус 4, литера А.