

# LFA10F

① LF ② A ③ 10 ④ F ⑤ -□ ⑥ -□



Recommended EMI/EMC Filter  
NAC-04-472



High voltage pulse noise type : NAP series  
Low leakage current type : NAM series  
\*The EMI/EMC Filter is recommended to connect with several devices.

- ① Series name
- ② Single output
- ③ Output wattage
- ④ Universal input
- ⑤ Output voltage
- ⑥ Optional
- C : with Coating
- G : Low leakage current
- J1 : VH(J.S.T.)connector type
- S : with Chassis
- SN : with Chassis & cover
- Y : with Potentiometer

Specification is changed at option, refer to Instruction Manual.

This power supply is manufactured by SMD technology. The stress to P.C.B like twisting or bending causes the defect of the unit, so handle the unit with care.

| MODEL                 | LFA10F-3R3-Y | LFA10F-5 | LFA10F-12 | LFA10F-15 | LFA10F-24 |
|-----------------------|--------------|----------|-----------|-----------|-----------|
| MAX OUTPUT WATTAGE[W] | 6.6          | 10       | 10.8      | 10.5      | 12        |
| DC OUTPUT             | 3.3V 2A      | 5V 2A    | 12V 0.9A  | 15V 0.7A  | 24V 0.5A  |

## SPECIFICATIONS

|                                    | MODEL   | LFA10F-3R3-Y   | LFA10F-5          | LFA10F-12         | LFA10F-15      | LFA10F-24      |         |
|------------------------------------|---|--|-------------------|-------------------|----------------|----------------|---------|
| INPUT                              | VOLTAGE[V]  | AC85 - 264 1 φ (Refer to Instruction Manual 1.1 and 3.2) *3  |                   |                   |                |                |         |
|                                    | CURRENT[A]  | ACIN 100V  | 0.18typ (Io=100%) | 0.26typ (Io=100%) |                |                |         |
|                                    |   | ACIN 200V  | 0.11typ (Io=100%) | 0.16typ (Io=100%) |                |                |         |
|                                    | FREQUENCY[Hz]   | 50 / 60 (47 - 440)   |                   |                   |                |                |         |
|                                    | EFFICIENCY[%]   | ACIN 100V  | 68.0typ           | 74.0typ           | 76.5typ        | 77.5typ        | 79.5typ |
|                                    |   | ACIN 200V  | 68.5typ           | 76.0typ           | 79.0typ        | 80.0typ        | 83.0typ |
| INRUSH CURRENT[A]                  | ACIN 100V   | 15typ (Io=100%)  |                   |                   |                |                |         |
|                                    | ACIN 200V   | 30typ (Io=100%)  |                   |                   |                |                |         |
|                                    | LEAKAGE CURRENT[ma]   | 0.15/0.30max (ACIN 100V / 240V 60Hz, Io=100%, According to IEC60950-1 and DEN-AN)                        |                   |                   |                |                |         |
| OUTPUT                             | VOLTAGE[V]  | 3.3  | 5                 | 12                | 15             | 24             |         |
|                                    | CURRENT[A]  | 2.0  | 2.0               | 0.9               | 0.7            | 0.5            |         |
|                                    | LINE REGULATION[mV]   | *5 20max   | 20max             | 48max             | 60max          | 96max          |         |
|                                    | LOAD REGULATION[mV]   | *5 40max   | 40max             | 100max            | 120max         | 150max         |         |
|                                    | RIPPLE[mVp-p]   | 0 to +50°C   | 80max             | 80max             | 120max         | 120max         | 120max  |
|                                    |   | -10 - 0°C  | 140max            | 140max            | 160max         | 160max         | 160max  |
|                                    |   | Io=0 - 35%   | 190max            | 160max            | 240max         | 240max         | 280max  |
|                                    | RIPPLE NOISE[mVp-p]   | 0 to +50°C   | 120max            | 120max            | 150max         | 150max         | 150max  |
|                                    |   | -10 - 0°C  | 160max            | 160max            | 180max         | 180max         | 180max  |
|                                    |   | Io=0 - 35%   | 240max            | 240max            | 300max         | 300max         | 320max  |
|                                    | TEMPERATURE REGULATION[mV]  | 0 to +50°C   | 50max             | 50max             | 120max         | 150max         | 240max  |
|                                    |   | -10 to +50°C   | 60max             | 60max             | 150max         | 180max         | 290max  |
|                                    | DRIFT[mV]   | *2 20max   | 20max             | 48max             | 60max          | 96max          |         |
| START-UP TIME[ms]                  | 200typ (ACIN 100V, Io=100%) * Start-up time is 700ms typ for less than 1 minute of applying input again from turning off the input voltage. |  |                   |                   |                |                |         |
| HOLD-UP TIME[ms]                   | 20typ (ACIN 100V, Io=100%)  |  |                   |                   |                |                |         |
| OUTPUT VOLTAGE ADJUSTMENT RANGE[V] | 2.85 to 3.63  | Fixed ("Y"option is available for adjusting output voltage between ±10%)                                 |                   |                   |                |                |         |
| OUTPUT VOLTAGE SETTING[V]          | 3.30 to 3.40  | 4.90 to 5.30   | 11.50 to 12.50    | 14.40 to 15.60    | 23.00 to 25.00 |                |         |
| PROTECTION CIRCUIT AND OTHERS      | OVERCURRENT PROTECTION  | Works over 105% of rating and recovers automatically   |                   |                   |                |                |         |
|                                    | OVERVOLTAGE PROTECTION  | 4.00 to 5.25   | 5.75 to 7.00      | 13.80 to 16.80    | 17.25 to 21.00 | 27.60 to 33.60 |         |
|                                    | OPERATING INDICATION  | Not provided   |                   |                   |                |                |         |
|                                    | REMOTE SENSING  | Not provided   |                   |                   |                |                |         |
|                                    | REMOTE ON/OFF   | Not provided   |                   |                   |                |                |         |
| ISOLATION                          | INPUT-OUTPUT  | AC3,000V 1minute, Cutoff current = 10mA, DC500V 50MΩ min (At Room Temperature)                           |                   |                   |                |                |         |
|                                    | INPUT-FG  | AC2,000V 1minute, Cutoff current = 10mA, DC500V 50MΩ min (At Room Temperature)                           |                   |                   |                |                |         |
|                                    | OUTPUT-FG   | AC500V 1minute, Cutoff current = 25mA, DC500V 50MΩ min (At Room Temperature)                             |                   |                   |                |                |         |
| ENVIRONMENT                        | OPERATING TEMP., HUMID. AND ALTIITUDE   | -10 to +70°C, 20 - 90%RH (Non condensing) (Refer to Instruction Manual 3.2), 3,000m (10,000 feet) max *3 |                   |                   |                |                |         |
|                                    | STORAGE TEMP., HUMID. AND ALTIITUDE   | -20 to +75°C, 20 - 90%RH (Non condensing), 9,000m (30,000 feet) max                                      |                   |                   |                |                |         |
|                                    | VIBRATION   | 10 - 55Hz, 19.6m/s <sup>2</sup> (2G), 3minutes period, 60minutes each along X, Y and Z axis              |                   |                   |                |                |         |
|                                    | IMPACT  | 196.1m/s <sup>2</sup> (20G), 11ms, once each X, Y and Z axis   |                   |                   |                |                |         |
| SAFETY AND NOISE REGULATIONS       | AGENCY APPROVALS  | UL60950-1, C-UL (CSA60950-1), EN60950-1, EN60065, EN50178 Complies with DEN-AN                           |                   |                   |                |                |         |
|                                    | CONDUCTED NOISE   | Complies with FCC-B, VCCI-B, CISPR-B, EN55011-B, EN55022-B   |                   |                   |                |                |         |
|                                    | HARMONIC ATTENUATOR   | Complies with IEC61000-3-2 (Class A) *6 (Not built-in to active filter) *4                               |                   |                   |                |                |         |
| OTHERS                             | CASE SIZE/WEIGHT  | 50 X 22 X 73.5mm [1.97 X 0.87 X 2.89 inches] (W X H X D) / 55g max (with chassis & cover : 150g max)     |                   |                   |                |                |         |
|                                    | COOLING METHOD  | Convection (Refer to Instruction Manual 3.1 and 3.2) *3  |                   |                   |                |                |         |

\*1 This is the value that measured on measuring board with capacitor of 22 μF at 150mm from output terminal. Measured by 20MHz oscilloscope or Ripple-Noise meter (Equivalent to KEISOKU-GIKEN: RM103). A circuit reducing standby power is built in this unit. Therefore, the internal switch element is intermittent operated, and the Ripple/Ripple Noise specification in load

factor Io=0-35% is different. Please refer to the Instruction Manual 1.7.  
\*2 Drift is the change in DC output for an eight hour period after a half-hour warm-up at 25°C, with the input voltage held constant at the rated input/output. Derating is required.  
\*3 When two or more units are operating it may not comply with the IEC61000-3-2.

Please contact us for details.  
\*5 Please contact us about dynamic load and input response.  
\*6 Please contact us about another class.  
\* To meet the specifications. Do not operate over-loaded condition. Parallel operation is not possible.  
\* Derating is required when operated with chassis and cover.  
\* Sound noise may be generated by power supply in case of pulse load.

## Block diagram



LFA

## External view



※ The back side of P.C.B. of the power supply is assembled some SMDs.

Be attention not to bump against the attached area by vibration.

※ Use the spacer of 8mm length or more regarding insulation.

And do not use press-fitting bush.

※ Point A, Point B are thermometry points. Please refer to Instruction Manual 3.

| I/O Connector | Mating connector | Terminal    | Chain | Terminal  |
|---------------|------------------|-------------|-------|-----------|
| CN1           | 1-1123724-3      | 1-1123722-5 | Chain | 1123721-1 |
|               |                  |             | Loose | 1318912-1 |
| CN2           | 1-1123723-2      | 1-1123722-2 | Chain | 1123721-1 |
|               |                  |             | Loose | 1318912-1 |

(Mfr:Tyco Electronics)

※ I/O Connector is Mfr. Tyco Electronics

※ Option:-J1:(J.S.T) connector type. Refer to Instruction Manual 5.

### <PIN CONNECTION>

#### CN1

| Pin No. | Input |
|---------|-------|
| 1       | AC(L) |
| 2       |       |
| 3       | AC(N) |
| 4       |       |
| 5       | FG    |

#### CN2

| Pin No. | Output |
|---------|--------|
| 1       | -V     |
| 2       | +V     |

※ Tolerance :  $\pm 1$  [ $\pm 0.04$ ]

※ Weight : 55g max (with chassis & cover : 150g max)

※ PCB material / thickness : CEM3 / 1.6mm

※ Optional chassis and cover material : Electric galvanizing steel board.

※ Dimensions in mm, [ ]=inches

※ Mounting torque (Mounting hole of chassis) :  $0.6N \cdot m$  (6.3kgf · cm) max

# LFA15F

① LF ② A ③ 15 ④ F ⑤ -□ ⑥ -□



RoHS



Recommended EMI/EMC Filter  
NAC-04-472



High voltage pulse noise type : NAP series  
Low leakage current type : NAM series  
\*The EMI/EMC Filter is recommended to connect with several devices.

- ① Series name
- ② Single output
- ③ Output wattage
- ④ Universal input
- ⑤ Output voltage
- ⑥ Optional
- C : with Coating
- G : Low leakage current
- J1 : VH(J.S.T.)connector type
- S : with Chassis
- SN : with Chassis & cover
- Y : with Potentiometer

Specification is changed at option, refer to Instruction Manual.

This power supply is manufactured by SMD technology. The stress to P.C.B like twisting or bending causes the defect of the unit, so handle the unit with care.

| MODEL                 | LFA15F-3R3-Y | LFA15F-5 | LFA15F-12 | LFA15F-15 | LFA15F-24 |
|-----------------------|--------------|----------|-----------|-----------|-----------|
| MAX OUTPUT WATTAGE[W] | 9.9          | 15       | 15.6      | 15        | 16.8      |
| DC OUTPUT             | 3.3V 3A      | 5V 3A    | 12V 1.3A  | 15V 1A    | 24V 0.7A  |

## SPECIFICATIONS

|                                    | MODEL   | LFA15F-3R3-Y  | LFA15F-5          | LFA15F-12         | LFA15F-15      | LFA15F-24      |         |
|------------------------------------|---|---|-------------------|-------------------|----------------|----------------|---------|
| INPUT                              | VOLTAGE[V]  | AC85 - 264 1 φ (Refer to Instruction Manual 1.1 and 3.2) *3   |                   |                   |                |                |         |
|                                    | CURRENT[A]  | ACIN 100V   | 0.24typ (Io=100%) | 0.35typ (Io=100%) |                |                |         |
|                                    |   | ACIN 200V   | 0.15typ (Io=100%) | 0.20typ (Io=100%) |                |                |         |
|                                    | FREQUENCY[Hz]   | 50 / 60 (47 - 440)  |                   |                   |                |                |         |
|                                    | EFFICIENCY[%]   | ACIN 100V   | 68.0typ           | 73.0typ           | 76.0typ        | 77.0typ        | 78.0typ |
|                                    |   | ACIN 200V   | 69.0typ           | 76.0typ           | 78.5typ        | 80.0typ        | 81.5typ |
| INRUSH CURRENT[A]                  | ACIN 100V   | 15typ (Io=100%) (At cold start) (Ta=25°C)   |                   |                   |                |                |         |
|                                    | ACIN 200V   | 30typ (Io=100%) (At cold start) (Ta=25°C)   |                   |                   |                |                |         |
| LEAKAGE CURRENT[ma]                | 0.15/0.30max (ACIN 100V / 240V 60Hz, Io=100%, According to IEC60950-1 and DEN-AN) |   |                   |                   |                |                |         |
| OUTPUT                             | VOLTAGE[V]  | 3.3   | 5                 | 12                | 15             | 24             |         |
|                                    | CURRENT[A]  | 3.0   | 3.0               | 1.3               | 1.0            | 0.7            |         |
|                                    | LINE REGULATION[mV]   | *5 20max  | 20max             | 48max             | 60max          | 96max          |         |
|                                    | LOAD REGULATION[mV]   | *5 40max  | 40max             | 100max            | 120max         | 150max         |         |
|                                    | RIPPLE[mVp-p]   | 0 to +50°C  | 80max             | 80max             | 120max         | 120max         | 120max  |
|                                    |   | -10 - 0°C   | 140max            | 140max            | 160max         | 160max         | 160max  |
|                                    |   | Io=0 - 35%  | 190max            | 160max            | 240max         | 240max         | 280max  |
|                                    | RIPPLE NOISE[mVp-p]   | 0 to +50°C  | 120max            | 120max            | 150max         | 150max         | 150max  |
|                                    |   | -10 - 0°C   | 160max            | 160max            | 180max         | 180max         | 180max  |
|                                    |   | Io=0 - 35%  | 240max            | 240max            | 300max         | 300max         | 320max  |
|                                    | TEMPERATURE REGULATION[mV]  | 0 to +50°C  | 50max             | 50max             | 120max         | 150max         | 240max  |
|                                    |   | -10 to +50°C  | 60max             | 60max             | 150max         | 180max         | 290max  |
|                                    | DRIFT[mV]   | *2 20max  | 20max             | 48max             | 60max          | 96max          |         |
|                                    | START-UP TIME[ms]   | 200typ (ACIN 100V, Io=100%) * Start-up time is 700ms typ for less than 1 minute of applying input again from turning off the input voltage. |                   |                   |                |                |         |
| HOLD-UP TIME[ms]                   | 20typ (ACIN 100V, Io=100%)  |   |                   |                   |                |                |         |
| OUTPUT VOLTAGE ADJUSTMENT RANGE[V] | 2.85 to 3.63  | Fixed ("Y"option is available for adjusting output voltage between ±10%)  |                   |                   |                |                |         |
| OUTPUT VOLTAGE SETTING[V]          | 3.30 to 3.40  | 4.90 to 5.30  | 11.50 to 12.50    | 14.40 to 15.60    | 23.00 to 25.00 |                |         |
| PROTECTION CIRCUIT AND OTHERS      | OVERCURRENT PROTECTION  | Works over 105% of rating and recovers automatically  |                   |                   |                |                |         |
|                                    | OVERVOLTAGE PROTECTION  | 4.00 to 5.25  | 5.75 to 7.00      | 13.80 to 16.80    | 17.25 to 21.00 | 27.60 to 33.60 |         |
|                                    | OPERATING INDICATION  | Not provided  |                   |                   |                |                |         |
|                                    | REMOTE SENSING  | Not provided  |                   |                   |                |                |         |
| ISOLATION                          | REMOTE ON/OFF   | Not provided  |                   |                   |                |                |         |
|                                    | INPUT-OUTPUT  | AC3,000V 1minute, Cutoff current = 10mA, DC500V 50MΩ min (At Room Temperature)  |                   |                   |                |                |         |
|                                    | INPUT-FG  | AC2,000V 1minute, Cutoff current = 10mA, DC500V 50MΩ min (At Room Temperature)  |                   |                   |                |                |         |
| ENVIRONMENT                        | OUTPUT-FG   | AC500V 1minute, Cutoff current = 25mA, DC500V 50MΩ min (At Room Temperature)  |                   |                   |                |                |         |
|                                    | OPERATING TEMP., HUMID. AND ALTITUDE  | -10 to +70°C, 20 - 90%RH (Non condensing) (Refer to Instruction Manual 3.2), 3,000m (10,000 feet) max *3                                    |                   |                   |                |                |         |
|                                    | STORAGE TEMP., HUMID. AND ALTITUDE  | -20 to +75°C, 20 - 90%RH (Non condensing), 9,000m (30,000 feet) max   |                   |                   |                |                |         |
|                                    | VIBRATION   | 10 - 55Hz, 19.6m/s <sup>2</sup> (2G), 3minutes period, 60minutes each along X, Y and Z axis   |                   |                   |                |                |         |
| SAFETY AND NOISE REGULATIONS       | IMPACT  | 196.1m/s <sup>2</sup> (20G), 11ms, once each X, Y and Z axis  |                   |                   |                |                |         |
|                                    | AGENCY APPROVALS  | UL60950-1, C-UL (CSA60950-1), EN60950-1, EN60065, EN50178 Complies with DEN-AN  |                   |                   |                |                |         |
|                                    | CONDUCTED NOISE   | Complies with FCC-B, VCCI-B, CISPR-B, EN55011-B, EN55022-B  |                   |                   |                |                |         |
|                                    | HARMONIC ATTENUATOR   | Complies with IEC61000-3-2 (Class A) *6 (Not built-in to active filter) *4  |                   |                   |                |                |         |
| OTHERS                             | CASE SIZE/WEIGHT  | 50×22×87.5mm [1.97×0.87×3.44 inches] (W×H×D) / 80g max (with chassis & cover : 190g max)  |                   |                   |                |                |         |
|                                    | COOLING METHOD  | Convection (Refer to Instruction Manual 3.1 and 3.2) *3   |                   |                   |                |                |         |

\*1 This is the value that measured on measuring board with capacitor of 22 μF at 150mm from output terminal. Measured by 20MHz oscilloscope or Ripple-Noise meter (Equivalent to KEISOKU-GIKEN: RM103). A circuit reducing standby power is built in this unit. Therefore, the internal switch element is intermittent operated, and the Ripple/Ripple Noise specification in load

\*2 factor Io=0-35% is different. Please refer to the Instruction Manual 1.7.  
\*3 Drift is the change in DC output for an eight hour period after a half-hour warm-up at 25°C, with the input voltage held constant at the rated input/output. Derating is required.  
\*4 When two or more units are operating it may not comply with the IEC61000-3-2.

\*5 Please contact us for details.  
\*6 Please contact us about dynamic load and input response.  
\*7 Please contact us about another class.  
\*8 To meet the specifications. Do not operate over-loaded condition. Parallel operation is not possible.  
\*9 Derating is required when operated with chassis and cover.  
\*10 Sound noise may be generated by power supply in case of pulse load.

## Block diagram



## External view



※ The back side of P.C.B. of the power supply is assembled some SMDs.

Be attention not to bump against the attached area by vibration.

※ Use the spacer of 8mm length or more regarding insulation. And do not use press-fitting bush.

※ Point A, Point B are thermometry points. Please refer to Instruction Manual 3.

| I/O Connector | Mating connector | Terminal | Terminal  |
|---------------|------------------|----------|-----------|
| CN1           | 1-1123722-5      | Chain    | 1123721-1 |
|               |                  | Loose    | 1318912-1 |
|               |                  | Chain    | 1123721-1 |
| CN2           | 1-1123722-2      | Loose    | 1318912-1 |

(Mfr:Tyco Electronics)

※ I/O Connector is Mfr. Tyco Electronics

※ Option:J1:(J.S.T) connector type. Refer to Instruction Manual 5.

### <PIN CONNECTION>

#### CN1

| Pin No. | Input |
|---------|-------|
| 1       | AC(L) |
| 2       |       |
| 3       | AC(N) |
| 4       |       |
| 5       | FG    |

#### CN2

| Pin No. | Output |
|---------|--------|
| 1       | -V     |
| 2       | +V     |

※ Tolerance : ±1 [±0.04]

※ Weight : 80g max (with chassis & cover : 190g max)

※ PCB material / thickness : CEM3 / 1.6mm

※ Optional chassis and cover material : Electric galvanizing steel board.

※ Dimensions in mm, [ ]=inches

※ Mounting torque (Mounting hole of chassis) : 0.6N · m (6.3kgf · cm) max

# LFA30F

① LF ② A ③ 30 ④ F ⑤ -□ ⑥ -□



Recommended EMI/EMC Filter  
NAC-04-472



High voltage pulse noise type : NAP series  
Low leakage current type : NAM series  
\*The EMI/EMC Filter is recommended to connect with several devices.

- ① Series name
- ② Single output
- ③ Output wattage
- ④ Universal input
- ⑤ Output voltage
- ⑥ Optional
- C : with Coating
- G : Low leakage current
- J1 : VH(J.S.T.)connector type
- S : with Chassis
- SN : with Chassis & cover
- Y : with Potentiometer

Specification is changed at option, refer to Instruction Manual.

This power supply is manufactured by SMD technology. The stress to P.C.B like twisting or bending causes the defect of the unit, so handle the unit with care.

| MODEL                 | LFA30F-3R3-Y | LFA30F-5 | LFA30F-12 | LFA30F-15 | LFA30F-24 |
|-----------------------|--------------|----------|-----------|-----------|-----------|
| MAX OUTPUT WATTAGE[W] | 19.8         | 30.0     | 30.0      | 30.0      | 31.2      |
| DC OUTPUT             | 3.3V 6A      | 5V 6A    | 12V 2.5A  | 15V 2A    | 24V 1.3A  |

## SPECIFICATIONS

|                                    | MODEL   | LFA30F-3R3-Y  | LFA30F-5          | LFA30F-12         | LFA30F-15      | LFA30F-24      |        |
|------------------------------------|---|---|-------------------|-------------------|----------------|----------------|--------|
| INPUT                              | VOLTAGE[V]  | AC85 - 264 1φ (Refer to Instruction Manual 1.1 and 3.2) *3  |                   |                   |                |                |        |
|                                    | CURRENT[A]  | ACIN 100V   | 0.50typ (Io=100%) | 0.65typ (Io=100%) |                |                |        |
|                                    |   | ACIN 200V   | 0.30typ (Io=100%) | 0.35typ (Io=100%) |                |                |        |
|                                    | FREQUENCY[Hz]   | 50 / 60 (47 - 440)  |                   |                   |                |                |        |
|                                    | EFFICIENCY[%]   | ACIN 100V   | 73typ             | 76typ             | 79typ          | 81typ          | 82typ  |
|                                    |   | ACIN 200V   | 75typ             | 79typ             | 81typ          | 83typ          | 84typ  |
| INRUSH CURRENT[A]                  | ACIN 100V   | 15typ (Io=100%) (At cold start) (Ta=25°C)   |                   |                   |                |                |        |
|                                    | ACIN 200V   | 30typ (Io=100%) (At cold start) (Ta=25°C)   |                   |                   |                |                |        |
| LEAKAGE CURRENT[mA]                | 0.30 / 0.65max (ACIN 100V / 240V 60Hz, Io=100%, According to IEC60950-1 and DEN-AN) |   |                   |                   |                |                |        |
| OUTPUT                             | VOLTAGE[V]  | 3.3   | 5                 | 12                | 15             | 24             |        |
|                                    | CURRENT[A]  | 6.0   | 6.0               | 2.5               | 2.0            | 1.3            |        |
|                                    | LINE REGULATION[mV] *5  | 20max   | 20max             | 48max             | 60max          | 96max          |        |
|                                    | LOAD REGULATION[mV] *5  | 40max   | 40max             | 100max            | 120max         | 150max         |        |
|                                    | RIPPLE[mVp-p]   | 0 to +50°C *1   | 80max             | 80max             | 120max         | 120max         | 120max |
|                                    |   | -10 - 0°C *1  | 140max            | 140max            | 160max         | 160max         | 160max |
|                                    | RIPPLE NOISE[mVp-p]   | 0 to +50°C *1   | 120max            | 120max            | 150max         | 150max         | 150max |
|                                    |   | -10 - 0°C *1  | 160max            | 160max            | 180max         | 180max         | 180max |
|                                    | TEMPERATURE REGULATION[mV]  | 0 to +50°C  | 50max             | 50max             | 120max         | 150max         | 240max |
|                                    |   | -10 to +50°C  | 60max             | 60max             | 150max         | 180max         | 290max |
|                                    | DRIFT[mV] *2  | 20max   | 20max             | 48max             | 60max          | 96max          |        |
|                                    | START-UP TIME[ms]   | 150typ (ACIN 100V, Io=100%)   |                   |                   |                |                |        |
|                                    | HOLD-UP TIME[ms]  | 20typ (ACIN 100V, Io=100%)  |                   |                   |                |                |        |
| OUTPUT VOLTAGE ADJUSTMENT RANGE[V] | 2.85 to 3.63  | Fixed ("Y"option is available for adjusting output voltage between ±10%)                                |                   |                   |                |                |        |
| OUTPUT VOLTAGE SETTING[V]          | 3.30 to 3.40  | 4.90 to 5.30  | 11.50 to 12.50    | 14.40 to 15.60    | 23.00 to 25.00 |                |        |
| PROTECTION CIRCUIT AND OTHERS      | OVERCURRENT PROTECTION  | Works over 105% of rating and recovers automatically  |                   |                   |                |                |        |
|                                    | OVERVOLTAGE PROTECTION  | 4.00 to 5.25  | 5.75 to 7.00      | 13.80 to 16.80    | 17.25 to 21.00 | 27.60 to 33.60 |        |
|                                    | OPERATING INDICATION  | Not provided  |                   |                   |                |                |        |
|                                    | REMOTE SENSING  | Not provided  |                   |                   |                |                |        |
|                                    | REMOTE ON/OFF   | Not provided  |                   |                   |                |                |        |
| ISOLATION                          | INPUT-OUTPUT  | AC3,000V 1minute, Cutoff current = 10mA, DC500V 50MΩ min (At Room Temperature)                          |                   |                   |                |                |        |
|                                    | INPUT-FG  | AC2,000V 1minute, Cutoff current = 10mA, DC500V 50MΩ min (At Room Temperature)                          |                   |                   |                |                |        |
|                                    | OUTPUT-FG   | AC500V 1minute, Cutoff current = 25mA, DC500V 50MΩ min (At Room Temperature)                            |                   |                   |                |                |        |
| ENVIRONMENT                        | OPERATING TEMP., HUMID. AND ALTITUDE  | -10 to +70°C, 20 - 90%RH (Non condensing) (Refer to Instruction Manual 3.2), 3,000m (10,000feet) max *3 |                   |                   |                |                |        |
|                                    | STORAGE TEMP., HUMID. AND ALTITUDE  | -20 to +75°C, 20 - 90%RH (Non condensing), 9,000m (30,000feet) max                                      |                   |                   |                |                |        |
|                                    | VIBRATION   | 10 - 55Hz, 19.6m/s <sup>2</sup> (2G), 3minutes period, 60minutes each along X, Y and Z axis             |                   |                   |                |                |        |
|                                    | IMPACT  | 196.1m/s <sup>2</sup> (20G), 11ms, once each X, Y and Z axis  |                   |                   |                |                |        |
| SAFETY AND NOISE REGULATIONS       | AGENCY APPROVALS  | UL60950-1, C-UL (CSA60950-1), EN60950-1, EN60065, EN50178 Complies with DEN-AN                          |                   |                   |                |                |        |
|                                    | CONDUCTED NOISE   | Complies with FCC-B, VCCI-B, CISPR-B, EN55011-B, EN55022-B  |                   |                   |                |                |        |
|                                    | HARMONIC ATTENUATOR   | Complies with IEC61000-3-2 (Class A) *6 (Not built-in to active filter) *4                              |                   |                   |                |                |        |
| OTHERS                             | CASE SIZE/WEIGHT  | 50 X 26.5 X 105mm [1.97 X 1.04 X 4.13 inches] (W X H X D) / 130g max (with chassis & cover : 260g max)  |                   |                   |                |                |        |
|                                    | COOLING METHOD  | Convection (Refer to Instruction Manual 3.1 and 3.2) *3   |                   |                   |                |                |        |

\*1 This is the value that measured on measuring board with capacitor of 22 μF at 150mm from output terminal.  
Measured by 20MHz oscilloscope or Ripple-Noise meter (Equivalent to KEISOKU-GIKEN: RM103).  
\*2 Drift is the change in DC output for an eight hour period after a half-hour warm-up at 25°C, with the input voltage held constant at the rated input/output.  
\*3 Derating is required.

\*4 When two or more units are operating it may not comply with the IEC61000-3-2. Please contact us for details.  
\*5 Please contact us about dynamic load and input response.  
\*6 Please contact us about another class.  
\* To meet the specifications. Do not operate over-loaded condition.  
\* Parallel operation is not possible.  
\* Derating is required when operated with chassis and cover.  
\* Sound noise may be generated by power supply in case of pulse load.



## Block diagram



## External view



- ※ 4 Mounting holes are existing.
- ※ The back side of P.C.B. of the power supply is assembled some SMDs.
- Be attention not to bump against the attached area by vibration.
- ※ Use the spacer of 8mm length or more regarding insulation.
- And do not use press-fitting bush.
- ※ Point A, Point B are thermometry points. Please refer to Instruction Manual 3.

| I/O Connector | Mating connector | Terminal        |
|---------------|------------------|-----------------|
| CN1           | 1-1123724-3      | Chain 1123721-1 |
|               |                  | Loose 1318912-1 |
| CN2           | 1-1123723-4      | Chain 1123721-1 |
|               |                  | Loose 1318912-1 |

(Mfr: Tyco Electronics)

- ※ I/O Connector is Mfr. Tyco Electronics
- ※ Option: -J1:(J.S.T) connector type. Refer to Instruction Manual 5.

### <PIN CONNECTION>

#### CN1

| Pin No. | Input |
|---------|-------|
| 1       | AC(L) |
| 2       |       |
| 3       | AC(N) |
| 4       |       |
| 5       | FG    |

#### CN2

| Pin No. | Output |
|---------|--------|
| 1, 2    | -V     |
| 3, 4    | +V     |

- ※ Tolerance :  $\pm 1$  [±0.04]
- ※ Weight: 130g max (with chassis & cover : 260g max)
- ※ PCB material / thickness : CEM3 / 1.6mm
- ※ Optional chassis and cover material : Electric galvanizing steel board.
- ※ Dimensions in mm, [ ] =inches
- ※ Mounting torque (Mounting hole of chassis) : 0.6N · m (6.3kgf · cm) max

※ Keep drawing current per pin below 5A for CN2.

# LFA50F

LF A 50 F -□ -□  
 ① ② ③ ④ ⑤ ⑥



Recommended EMI/EMC Filter  
**NAC-04-472**



High voltage pulse noise type : NAP series  
 Low leakage current type : NAM series  
 \*The EMI/EMC Filter is recommended to connect with several devices.

- ① Series name
- ② Single output
- ③ Output wattage
- ④ Universal input
- ⑤ Output voltage
- ⑥ Optional
- C : with Coating
- G : Low leakage current
- J1 : VH(J.S.T.)connector type
- S : with Chassis
- SN: with Chassis & cover
- Y : with Potentiometer

Specification is changed at option, refer to Instruction Manual.

This power supply is manufactured by SMD technology. The stress to P.C.B like twisting or bending causes the defect of the unit, so handle the unit with care.

| MODEL                 | LFA50F-3R3-Y | LFA50F-5 | LFA50F-12 | LFA50F-15 | LFA50F-24 | LFA50F-36 | LFA50F-48 |
|-----------------------|--------------|----------|-----------|-----------|-----------|-----------|-----------|
| MAX OUTPUT WATTAGE[W] | 33           | 50       | 51.6      | 52.5      | 50.4      | 50.4      | 52.8      |
| DC OUTPUT             | 3.3V 10A     | 5V 10A   | 12V 4.3A  | 15V 3.5A  | 24V 2.1A  | 36V 1.4A  | 48V 1.1A  |

## SPECIFICATIONS

|                                    | MODEL   | LFA50F-3R3-Y  | LFA50F-5          | LFA50F-12      | LFA50F-15         | LFA50F-24      | LFA50F-36      | LFA50F-48      |         |
|------------------------------------|---|---|-------------------|----------------|-------------------|----------------|----------------|----------------|---------|
| INPUT                              | VOLTAGE[V]  | AC85 - 264 1 φ (Refer to Instruction Manual 1.1 and 3.2) *3   |                   |                |                   |                |                |                |         |
|                                    | CURRENT[A]  | ACIN 100V   | 0.47typ (Io=100%) |                | 0.67typ (Io=100%) |                |                |                |         |
|                                    |   | ACIN 200V   | 0.27typ (Io=100%) |                | 0.36typ (Io=100%) |                |                |                |         |
|                                    | FREQUENCY[Hz]   | 50 / 60 (47 - 63)   |                   |                |                   |                |                |                |         |
|                                    | EFFICIENCY[%]   | ACIN 100V   | 73.5typ           | 77.5typ        | 80.0typ           | 80.5typ        | 81.5typ        | 82.0typ        | 81.0typ |
|                                    |   | ACIN 200V   | 74.0typ           | 79.0typ        | 81.5typ           | 81.5typ        | 83.0typ        | 83.5typ        | 82.5typ |
|                                    | POWER FACTOR (Io=100%)  | ACIN 100V   | 0.96typ           |                | 0.97typ           |                |                |                |         |
| ACIN 200V                          |   | 0.83typ   |                   | 0.90typ        |                   |                |                |                |         |
| INRUSH CURRENT[A]                  | ACIN 100V   | 15typ (Io=100%) (At cold start) (Ta=25°C)   |                   |                |                   |                |                |                |         |
|                                    | ACIN 200V   | 30typ (Io=100%) (At cold start) (Ta=25°C)   |                   |                |                   |                |                |                |         |
| LEAKAGE CURRENT[mA]                | 0.40 / 0.75max (ACIN 100V / 240V 60Hz, Io=100%, According to IEC60950-1 and DEN-AN) |   |                   |                |                   |                |                |                |         |
| OUTPUT                             | VOLTAGE[V]  | 3.3   | 5                 | 12             | 15                | 24             | 36             | 48             |         |
|                                    | CURRENT[A]  | 10.0  | 10.0              | 4.3            | 3.5               | 2.1            | 1.4            | 1.1            |         |
|                                    | LINE REGULATION[mV] *4  | 20max   | 20max             | 48max          | 60max             | 96max          | 144max         | 192max         |         |
|                                    | LOAD REGULATION[mV] *4  | 40max   | 40max             | 100max         | 120max            | 150max         | 240max         | 240max         |         |
|                                    | RIPPLE[mVp-p]   | 0 to +50°C *1   | 80max             | 80max          | 120max            | 120max         | 150max         | 150max         | 150max  |
|                                    |   | -10 -0°C *1   | 140max            | 140max         | 160max            | 160max         | 160max         | 200max         | 200max  |
|                                    | RIPPLE NOISE[mVp-p]   | 0 to +50°C *1   | 120max            | 120max         | 150max            | 150max         | 150max         | 250max         | 250max  |
|                                    |   | -10 -0°C *1   | 160max            | 160max         | 180max            | 180max         | 180max         | 300max         | 300max  |
|                                    | TEMPERATURE REGULATION[mV]  | 0 to +50°C  | 50max             | 50max          | 120max            | 150max         | 240max         | 360max         | 480max  |
|                                    |   | -10 to +50°C  | 60max             | 60max          | 150max            | 180max         | 290max         | 450max         | 600max  |
|                                    | DRIFT[mV] *2  | 20max   |                   |                |                   |                |                |                |         |
|                                    | START-UP TIME[ms]   | 350typ (ACIN 100V, Io=100%)   |                   |                |                   |                |                |                |         |
|                                    | HOLD-UP TIME[ms]  | 20typ (ACIN 100V, Io=100%)  |                   |                |                   |                |                |                |         |
| OUTPUT VOLTAGE ADJUSTMENT RANGE[V] | 2.85 to 3.63  | Fixed ("Y"option is available for adjusting output voltage between ±10%)                                |                   |                |                   |                |                |                |         |
| OUTPUT VOLTAGE SETTING[V]          | 3.30 to 3.40  | 4.90 to 5.30  | 11.50 to 12.50    | 14.40 to 15.60 | 23.00 to 25.00    | 34.50 to 37.50 | 46.00 to 50.00 |                |         |
| PROTECTION CIRCUIT AND OTHERS      | OVERCURRENT PROTECTION  | Works over 105% of rating and recovers automatically  |                   |                |                   |                |                |                |         |
|                                    | OVERVOLTAGE PROTECTION  | 4.00 to 5.25  | 5.75 to 7.00      | 13.80 to 16.80 | 17.25 to 21.00    | 27.60 to 33.60 | 41.40 to 50.40 | 55.20 to 67.20 |         |
|                                    | OPERATING INDICATION  | Not provided  |                   |                |                   |                |                |                |         |
|                                    | REMOTE SENSING  | Not provided  |                   |                |                   |                |                |                |         |
|                                    | REMOTE ON/OFF   | Not provided  |                   |                |                   |                |                |                |         |
| ISOLATION                          | INPUT-OUTPUT  | AC3,000V 1minute, Cutoff current = 10mA, DC500V 50MΩ min (At Room Temperature)                          |                   |                |                   |                |                |                |         |
|                                    | INPUT-FG  | AC2,000V 1minute, Cutoff current = 10mA, DC500V 50MΩ min (At Room Temperature)                          |                   |                |                   |                |                |                |         |
|                                    | OUTPUT-FG   | AC500V 1minute, Cutoff current = 25mA, DC500V 50MΩ min (At Room Temperature)                            |                   |                |                   |                |                |                |         |
| ENVIRONMENT                        | OPERATING TEMP., HUMID. AND ALTITUDE  | -10 to +70°C, 20 - 90%RH (Non condensing) (Refer to Instruction Manual 3.2), 3,000m (10,000feet) max *3 |                   |                |                   |                |                |                |         |
|                                    | STORAGE TEMP., HUMID. AND ALTITUDE  | -20 to +75°C, 20 - 90%RH (Non condensing), 9,000m (30,000feet) max                                      |                   |                |                   |                |                |                |         |
|                                    | VIBRATION   | 10 - 55Hz, 19.6m/s <sup>2</sup> (2G), 3minutes period, 60minutes each along X, Y and Z axis             |                   |                |                   |                |                |                |         |
|                                    | IMPACT  | 196.1m/s <sup>2</sup> (20G), 11ms, once each X, Y and Z axis  |                   |                |                   |                |                |                |         |
| SAFETY AND NOISE REGULATIONS       | AGENCY APPROVALS  | UL60950-1, C-UL (CSA60950-1), EN60950-1, EN60065, EN50178 Complies with DEN-AN                          |                   |                |                   |                |                |                |         |
|                                    | CONDUCTED NOISE   | Complies with FCC-B, VCCI-B, CISPR-B, EN55011-B, EN55022-B  |                   |                |                   |                |                |                |         |
|                                    | HARMONIC ATTENUATOR   | Complies with IEC61000-3-2 (Class A) *5   |                   |                |                   |                |                |                |         |
| OTHERS                             | CASE SIZE/WEIGHT  | 50 X 26.5 X 132mm [1.97 X 1.04 X 5.20 inches] (W X H X D) / 165g max (with chassis & cover : 325g max)  |                   |                |                   |                |                |                |         |
|                                    | COOLING METHOD  | Convection (Refer to Instruction Manual 3.1 and 3.2) *3   |                   |                |                   |                |                |                |         |

\*1 This is the value that measured on measuring board with capacitor of 22 μF at 150mm from output terminal.  
 Measured by 20MHz oscilloscope or Ripple-Noise meter (Equivalent to KEISOKU-GIKEN: RM103).

\*2 Drift is the change in DC output for an eight hour period after a half-hour warm-up at 25°C, with the input voltage held constant at the rated input/output.

\*3 Derating is required.

\*4 Please contact us about dynamic load and input response.

\*5 Please contact us about another class.

\* To meet the specifications. Do not operate over-loaded condition.

\* Parallel operation is not possible.

\* Derating is required when operated with chassis and cover.

\* Sound noise may be generated by power supply in case of pulse load.

## Block diagram



## External view



- ※ 4 Mounting holes are existing.
- ※ The back side of P.C.B. of the power supply is assembled some SMDs.  
Be attention not to bump against the attached area by vibration.
- ※ Use the spacer of 8mm length or more regarding insulation.  
And do not use press-fitting bush.
- ※ Point A, Point B are thermometry points. Please refer to Instruction Manual 3.

| I/O Connector | Mating connector | Terminal        |
|---------------|------------------|-----------------|
| CN1           | 1-1123724-3      | Chain 1123721-1 |
|               |                  | Loose 1318912-1 |
| CN2           | 1-1123722-4      | Chain 1123721-1 |
|               |                  | Loose 1318912-1 |

(Mfr:Tyco Electronics)

- ※ I/O Connector is Mfr. Tyco Electronics
- ※ Option-J1:(J.S.T) connector type. Refer to Instruction Manual 5.

### <PIN CONNECTION>

#### CN1

| Pin No. | Input |
|---------|-------|
| 1       | AC(L) |
| 2       |       |
| 3       | AC(N) |
| 4       |       |
| 5       | FG    |

#### CN2

| Pin No. | Output |
|---------|--------|
| 1, 2    | -V     |
| 3, 4    | +V     |

- ※ Tolerance : ±1 [±0.04]
- ※ Weight : 165g max (with chassis & cover : 325g max)
- ※ PCB material / thickness : CEM3 / 1.6mm
- ※ Optional chassis and cover material : Electric galvanizing steel board.
- ※ Dimensions in mm, [ ]=inches
- ※ Mounting torque (Mounting hole of chassis) : 0.6N · m (6.3kgf · cm) max

- ※ Keep drawing current per pin below 5A for CN2.



# LFA75F

① LF ② A ③ 75 ④ F ⑤ -□ ⑥ -□



Recommended EMI/EMC Filter  
NAC-04-472



High voltage pulse noise type : NAP series  
Low leakage current type : NAM series  
\*The EMI/EMC Filter is recommended to connect with several devices.

- ① Series name
- ② Single output
- ③ Output wattage
- ④ Universal input
- ⑤ Output voltage
- ⑥ Optional
- C : with Coating
- G : Low leakage current
- J1 : VH(J.S.T.)connector type
- S : with Chassis
- SN: with Chassis & cover
- Y : with Potentiometer

Specification is changed at option, refer to Instruction Manual.

This power supply is manufactured by SMD technology. The stress to P.C.B like twisting or bending causes the defect of the unit, so handle the unit with care.

| MODEL                 | LFA75F-3R3-Y | LFA75F-5 | LFA75F-12 | LFA75F-15 | LFA75F-24 | LFA75F-36 | LFA75F-48 |
|-----------------------|--------------|----------|-----------|-----------|-----------|-----------|-----------|
| MAX OUTPUT WATTAGE[W] | 49.5         | 75       | 75.6      | 75        | 76.8      | 75.6      | 76.8      |
| DC OUTPUT             | 3.3V 15A     | 5V 15A   | 12V 6.3A  | 15V 5A    | 24V 3.2A  | 36V 2.1A  | 48V 1.6A  |

## SPECIFICATIONS

|                                    | MODEL   | LFA75F-3R3-Y  | LFA75F-5          | LFA75F-12      | LFA75F-15         | LFA75F-24      | LFA75F-36      | LFA75F-48      |         |
|------------------------------------|---|---|-------------------|----------------|-------------------|----------------|----------------|----------------|---------|
| INPUT                              | VOLTAGE[V]  | AC85 - 264 1 φ (Refer to Instruction Manual 1.1 and 3.2) *3   |                   |                |                   |                |                |                |         |
|                                    | CURRENT[A]  | ACIN 100V   | 0.70typ (Io=100%) |                | 1.00typ (Io=100%) |                |                |                |         |
|                                    |   | ACIN 200V   | 0.40typ (Io=100%) |                | 0.50typ (Io=100%) |                |                |                |         |
|                                    | FREQUENCY[Hz]   | 50 / 60 (47 - 63)   |                   |                |                   |                |                |                |         |
|                                    | EFFICIENCY[%]   | ACIN 100V   | 73.5typ           | 78.0typ        | 81.5typ           | 81.5typ        | 82.5typ        | 82.5typ        | 82.5typ |
|                                    |   | ACIN 200V   | 75.0typ           | 80.0typ        | 83.0typ           | 83.0typ        | 84.5typ        | 84.5typ        | 84.5typ |
|                                    | POWER FACTOR (Io=100%)  | ACIN 100V   | 0.96typ           | 0.97typ        |                   |                |                |                |         |
| ACIN 200V                          |   | 0.83typ   | 0.90typ           |                |                   |                |                |                |         |
| INRUSH CURRENT[A]                  | ACIN 100V   | 15typ (Io=100%) (At cold start) (Ta=25°C)   |                   |                |                   |                |                |                |         |
|                                    | ACIN 200V   | 30typ (Io=100%) (At cold start) (Ta=25°C)   |                   |                |                   |                |                |                |         |
| LEAKAGE CURRENT[mA]                | 0.40 / 0.75max (ACIN 100V / 240V 60Hz, Io=100%, According to IEC60950-1 and DEN-AN) |   |                   |                |                   |                |                |                |         |
| OUTPUT                             | VOLTAGE[V]  | 3.3   | 5                 | 12             | 15                | 24             | 36             | 48             |         |
|                                    | CURRENT[A]  | 15.0  | 15.0              | 6.3            | 5.0               | 3.2            | 2.1            | 1.6            |         |
|                                    | LINE REGULATION[mV]   | *4  | 20max             | 20max          | 48max             | 60max          | 96max          | 144max         | 192max  |
|                                    | LOAD REGULATION[mV]   | *4  | 40max             | 40max          | 100max            | 120max         | 150max         | 240max         | 240max  |
|                                    | RIPPLE[mVp-p]   | 0 to +50°C *1   | 80max             | 80max          | 120max            | 120max         | 120max         | 150max         | 150max  |
|                                    |   | -10 -0°C *1   | 140max            | 140max         | 160max            | 160max         | 160max         | 200max         | 200max  |
|                                    | RIPPLE NOISE[mVp-p]   | 0 to +50°C *1   | 120max            | 120max         | 150max            | 150max         | 150max         | 250max         | 250max  |
|                                    |   | -10 -0°C *1   | 160max            | 160max         | 180max            | 180max         | 180max         | 300max         | 300max  |
|                                    | TEMPERATURE REGULATION[mV]  | 0 to +50°C  | 50max             | 50max          | 120max            | 150max         | 240max         | 360max         | 480max  |
|                                    |   | -10 to +50°C  | 60max             | 60max          | 150max            | 180max         | 290max         | 450max         | 600max  |
|                                    | DRIFT[mV]   | *2  | 20max             | 20max          | 48max             | 60max          | 96max          | 144max         | 192max  |
|                                    | START-UP TIME[ms]   | 350typ (ACIN 100V, Io=100%)   |                   |                |                   |                |                |                |         |
|                                    | HOLD-UP TIME[ms]  | 20typ (ACIN 100V, Io=100%)  |                   |                |                   |                |                |                |         |
| OUTPUT VOLTAGE ADJUSTMENT RANGE[V] | 2.85 to 3.63  | Fixed ("Y"option is available for adjusting output voltage between ±10%)                                |                   |                |                   |                |                |                |         |
| OUTPUT VOLTAGE SETTING[V]          | 3.30 to 3.40  | 4.90 to 5.30  | 11.50 to 12.50    | 14.40 to 15.60 | 23.00 to 25.00    | 34.50 to 37.50 | 46.00 to 50.00 |                |         |
| PROTECTION CIRCUIT AND OTHERS      | OVERCURRENT PROTECTION  | Works over 105% of rating and recovers automatically  |                   |                |                   |                |                |                |         |
|                                    | OVERVOLTAGE PROTECTION  | 4.00 to 5.25  | 5.75 to 7.00      | 13.80 to 16.80 | 17.25 to 21.00    | 27.60 to 33.60 | 41.40 to 50.40 | 55.20 to 67.20 |         |
|                                    | OPERATING INDICATION  | Not provided  |                   |                |                   |                |                |                |         |
|                                    | REMOTE SENSING  | Not provided  |                   |                |                   |                |                |                |         |
|                                    | REMOTE ON/OFF   | Not provided  |                   |                |                   |                |                |                |         |
| ISOLATION                          | INPUT-OUTPUT  | AC3,000V 1minute, Cutoff current = 10mA, DC500V 50MΩ min (At Room Temperature)                          |                   |                |                   |                |                |                |         |
|                                    | INPUT-FG  | AC2,000V 1minute, Cutoff current = 10mA, DC500V 50MΩ min (At Room Temperature)                          |                   |                |                   |                |                |                |         |
|                                    | OUTPUT-FG   | AC500V 1minute, Cutoff current = 25mA, DC500V 50MΩ min (At Room Temperature)                            |                   |                |                   |                |                |                |         |
| ENVIRONMENT                        | OPERATING TEMP., HUMID. AND ALTITUDE  | -10 to +70°C, 20 - 90%RH (Non condensing) (Refer to Instruction Manual 3.2), 3,000m (10,000feet) max *3 |                   |                |                   |                |                |                |         |
|                                    | STORAGE TEMP., HUMID. AND ALTITUDE  | -20 to +75°C, 20 - 90%RH (Non condensing), 9,000m (30,000feet) max                                      |                   |                |                   |                |                |                |         |
|                                    | VIBRATION   | 10 - 55Hz, 19.6m/s <sup>2</sup> (2G), 3minutes period, 60minutes each along X, Y and Z axis             |                   |                |                   |                |                |                |         |
|                                    | IMPACT  | 196.1m/s <sup>2</sup> (20G), 11ms, once each X, Y and Z axis  |                   |                |                   |                |                |                |         |
| SAFETY AND NOISE REGULATIONS       | AGENCY APPROVALS  | UL60950-1, C-UL (CSA60950-1), EN60950-1, EN60065, EN50178 Complies with DEN-AN                          |                   |                |                   |                |                |                |         |
|                                    | CONDUCTED NOISE   | Complies with FCC-B, VCCI-B, CISPR-B, EN55011-B, EN55022-B  |                   |                |                   |                |                |                |         |
|                                    | HARMONIC ATTENUATOR   | Complies with IEC61000-3-2 (Class A) *5   |                   |                |                   |                |                |                |         |
| OTHERS                             | CASE SIZE/WEIGHT  | 50 X 33.5 X 150mm [1.97 X 1.32 X 5.91 inches] (W X H X D) / 230g max (with chassis & cover : 440g max)  |                   |                |                   |                |                |                |         |
|                                    | COOLING METHOD  | Convection (Refer to Instruction Manual 3.1 and 3.2) *3   |                   |                |                   |                |                |                |         |

\*1 This is the value that measured on measuring board with capacitor of 22 μF at 150mm from output terminal.  
Measured by 20MHz oscilloscope or Ripple-Noise meter (Equivalent to KEISOKU-GIKEN: RM103).

\*2 Drift is the change in DC output for an eight hour period after a half-hour warm-up at 25°C, with the input voltage held constant at the rated input/output.

\*3 Derating is required.

\*4 Please contact us about dynamic load and input response.

\*5 Please contact us about another class.

\* To meet the specifications. Do not operate over-loaded condition.

\* Parallel operation is not possible.

\* Derating is required when operated with chassis and cover.

\* Sound noise may be generated by power supply in case of pulse load.

## Block diagram



LFA

## External view

Standard type

Chassis and cover type



- ※ 4 Mounting holes are existing.
- ※ The back side of P.C.B. of the power supply is assembled some SMDs.  
Be attention not to bump against the attached area by vibration.
- ※ Use the spacer of 8mm length or more regarding insulation.  
And do not use press-fitting bush.
- ※ Point A, Point B are thermometry points. Please refer to Instruction Manual 3.

| I/O Connector | Mating connector | Terminal        |
|---------------|------------------|-----------------|
| CN1           | 1-1123724-3      | Chain 1123721-1 |
|               |                  | Loose 1318912-1 |
| CN2           | 1-1123723-6      | Chain 1123721-1 |
|               |                  | Loose 1318912-1 |

(Mfr:Tyco Electronics)

- ※ I/O Connector is Mfr. Tyco Electronics
- ※ Option:-J1:(J.S.T) connector type. Refer to Instruction Manual 5.

### <PIN CONNECTION>

CN1

| Pin No. | Input |
|---------|-------|
| 1       | AC(L) |
| 2       |       |
| 3       | AC(N) |
| 4       |       |
| 5       | FG    |

CN2

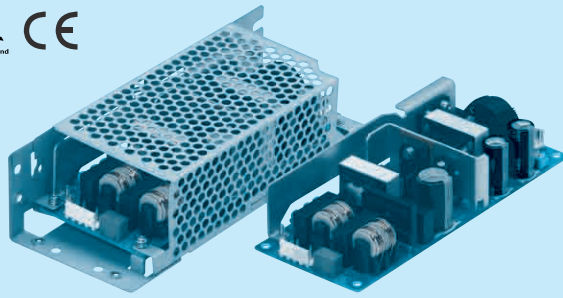
| Pin No. | Output |
|---------|--------|
| 1 to 3  | -V     |
| 4 to 6  | +V     |

- ※ Tolerance : ±1 [±0.04]
- ※ Weight : 230g max (with chassis & cover : 440g max)
- ※ PCB material / thickness : CEM3 / 1.6mm
- ※ Optional chassis and cover material : Electric galvanizing steel board.
- ※ Dimensions in mm, [ ]=inches
- ※ Mounting torque (Mounting hole of chassis) : 1.5N · m (16kgf · cm) max

※ Keep drawing current per pin below 5A for CN2.

# LFA100F

① LF ② A ③ 100 ④ F ⑤ -□ ⑥ -□



Recommended EMI/EMC Filter  
NAC-04-472



High voltage pulse noise type : NAP series  
Low leakage current type : NAM series  
\*The EMI/EMC Filter is recommended to connect with several devices.

- ① Series name
  - ② Single output
  - ③ Output wattage
  - ④ Universal input
  - ⑤ Output voltage
  - ⑥ Optional \*1
  - C : with Coating
  - G : Low leakage current
  - H : with the function to be acceptable to output peak current (only 24V)
  - J1 : VH(J.S.T.)connector type
  - R : with Remote ON/OFF
  - R2 : with Remote ON/OFF
  - S : with Chassis
  - SN : with Chassis & cover
  - Y : with Potentiometer
- Please refer to Instruction manual 5.

This power supply is manufactured by SMD technology. The stress to P.C.B like twisting or bending causes the defect of the unit, so handle the unit with care.

| MODEL                 | LFA100F-3R3-Y | LFA100F-5-Y | LFA100F-12 | LFA100F-15 | LFA100F-24 | LFA100F-24-H   | LFA100F-36 | LFA100F-48 |
|-----------------------|---------------|-------------|------------|------------|------------|----------------|------------|------------|
| MAX OUTPUT WATTAGE[W] | *5 66         | 100         | 102        | 100.5      | 103.2      | 103.2 (129.6)  | 100.8      | 100.8      |
| DC OUTPUT             | *5 3.3V 20A   | 5V 20A      | 12V 8.5A   | 15V 6.7A   | 24V 4.3A   | 24V 4.3 (5.4)A | 36V 2.8A   | 48V 2.1A   |

## SPECIFICATIONS

|                                    | MODEL   | LFA100F-3R3-Y  | LFA100F-5-Y      | LFA100F-12       | LFA100F-15  | LFA100F-24     | LFA100F-24-H   | LFA100F-36     | LFA100F-48     |         |
|------------------------------------|---|--|------------------|------------------|---|----------------|----------------|----------------|----------------|---------|
| INPUT                              | VOLTAGE[V]  | AC85 - 264 1 φ (Refer to Instruction Manual 1.1 and 3.2) *4  |                  |                  |   |                |                |                |                |         |
|                                    | CURRENT[A]  | ACIN 100V  | 0.9typ (Io=100%) | 1.3typ (Io=100%) |   |                |                |                |                |         |
|                                    |   | ACIN 200V  | 0.5typ (Io=100%) | 0.7typ (Io=100%) |   |                |                |                |                |         |
|                                    | FREQUENCY[Hz]   | 50 / 60 (47 - 63)  |                  |                  |   |                |                |                |                |         |
|                                    | EFFICIENCY[%]   | ACIN 100V  | 77.0typ          | 82.0typ          | 82.0typ   | 83.0typ        | 84.0typ        | 84.0typ        | 84.0typ        | 84.5typ |
|                                    |   | ACIN 200V  | 79.0typ          | 84.0typ          | 84.5typ   | 85.5typ        | 87.0typ        | 87.0typ        | 87.0typ        | 87.0typ |
|                                    | POWER FACTOR (Io=100%)  | ACIN 100V  | 0.98typ          | 0.99typ          |   |                |                |                |                |         |
| ACIN 200V                          |   | 0.92typ  | 0.95typ          |                  |   |                |                |                |                |         |
| INRUSH CURRENT[A]                  | ACIN 100V   | 15typ (Io=100%) (At cold start) (Ta=25°C)  |                  |                  |   |                |                |                |                |         |
|                                    | ACIN 200V   | 30typ (Io=100%) (At cold start) (Ta=25°C)  |                  |                  |   |                |                |                |                |         |
| LEAKAGE CURRENT[mA]                | 0.40 / 0.75max (ACIN 100V / 240V 60Hz, Io=100%, According to IEC60950-1 and DEN-AN) |  |                  |                  |   |                |                |                |                |         |
| OUTPUT                             | VOLTAGE[V]  | 3.3  | 5                | 12               | 15  | 24             | 24             | 36             | 48             |         |
|                                    | CURRENT[A]  | *5 20  | 20               | 8.5              | 6.7   | 4.3            | 4.3 (Peak 5.4) | 2.8            | 2.1            |         |
|                                    | LINE REGULATION[mV]   | *7 20max   | 20max            | 48max            | 60max   | 96max          | 96max          | 144max         | 192max         |         |
|                                    | LOAD REGULATION[mV]   | *7 40max   | 40max            | 100max           | 120max  | 150max         | 150max         | 240max         | 240max         |         |
|                                    | RIPPLE[mVp-p]   | 0 to +50°C *2  | 80max            | 80max            | 120max  | 120max         | 120max         | 240max         | 150max         | 150max  |
|                                    |   | -10 -0°C *2  | 140max           | 140max           | 160max  | 160max         | 160max         | 320max         | 200max         | 200max  |
|                                    | RIPPLE NOISE[mVp-p]   | 0 to +50°C *2  | 120max           | 120max           | 150max  | 150max         | 150max         | 300max         | 250max         | 250max  |
|                                    |   | -10 -0°C *2  | 160max           | 160max           | 180max  | 180max         | 180max         | 360max         | 300max         | 300max  |
|                                    | TEMPERATURE REGULATION[mV]  | 0 to +50°C   | 50max            | 50max            | 120max  | 150max         | 240max         | 240max         | 360max         | 480max  |
|                                    |   | -10 to +50°C   | 60max            | 60max            | 150max  | 180max         | 290max         | 290max         | 450max         | 600max  |
|                                    | DRIFT[mV]   | *3 20max   | 20max            | 48max            | 60max   | 96max          | 96max          | 144max         | 192max         |         |
|                                    | START-UP TIME[ms]   | 350typ (ACIN 100V, Io=100%)  |                  |                  |   |                |                |                |                |         |
|                                    | HOLD-UP TIME[ms]  | 20typ (ACIN 100V, Io=100%)   |                  |                  |   |                |                |                |                |         |
| OUTPUT VOLTAGE ADJUSTMENT RANGE[V] | 2.85 to 3.63  |  | 4.50 to 5.50     |                  | Fixed ("Y"option is available for adjusting output voltage) |                |                |                |                |         |
| OUTPUT VOLTAGE SETTING[V]          | 3.30 to 3.40  | 5.00 to 5.15   | 11.50 to 12.50   | 14.40 to 15.60   | 23.00 to 25.00  | 23.00 to 25.00 | 34.50 to 37.50 | 46.00 to 50.00 |                |         |
| PROTECTION CIRCUIT AND OTHERS      | OVERCURRENT PROTECTION  | Works over 105% of rating (works over 101% of peak current at option -H) and recovers automatically    |                  |                  |   |                |                |                |                |         |
|                                    | OVERVOLTAGE PROTECTION  | 4.00 to 5.25   | 5.75 to 7.00     | 13.80 to 16.80   | 17.25 to 21.00  | 27.60 to 33.60 | 27.60 to 33.60 | 41.40 to 50.40 | 55.20 to 67.20 |         |
|                                    | OPERATING INDICATION  | Not provided   |                  |                  |   |                |                |                |                |         |
|                                    | REMOTE SENSING  | Not provided   |                  |                  |   |                |                |                |                |         |
|                                    | REMOTE ON/OFF   | Option (Refer to Instruction Manual)   |                  |                  |   |                |                |                |                |         |
| ISOLATION                          | INPUT-OUTPUT-RC   | *6 AC3,000V 1minute, Cutoff current = 10mA, DC500V 50MΩ min (At Room Temperature)                      |                  |                  |   |                |                |                |                |         |
|                                    | INPUT-FG  | AC2,000V 1minute, Cutoff current = 10mA, DC500V 50MΩ min (At Room Temperature)                         |                  |                  |   |                |                |                |                |         |
|                                    | OUTPUT-RC-FG  | *6 AC500V 1minute, Cutoff current = 25mA, DC500V 50MΩ min (At Room Temperature)                        |                  |                  |   |                |                |                |                |         |
|                                    | OUTPUT-RC   | *6 AC100V 1minute, Cutoff current = 25mA, DC100V 10MΩ min (At Room Temperature)                        |                  |                  |   |                |                |                |                |         |
| ENVIRONMENT                        | OPERATING TEMP., HUMID. AND ALTITUDE *4   | -10 to +70°C, 20 - 90%RH (Non condensing) (Refer to Instruction Manual 3.2), 3,000m (10,000feet) max   |                  |                  |   |                |                |                |                |         |
|                                    | STORAGE TEMP., HUMID. AND ALTITUDE  | -20 to +75°C, 20 - 90%RH (Non condensing), 9,000m (30,000feet) max                                     |                  |                  |   |                |                |                |                |         |
|                                    | VIBRATION   | 10 - 55Hz, 19.6m/s <sup>2</sup> (2G), 3minutes period, 60minutes each along X, Y and Z axis            |                  |                  |   |                |                |                |                |         |
|                                    | IMPACT  | 196.1m/s <sup>2</sup> (20G), 11ms, once each X, Y and Z axis   |                  |                  |   |                |                |                |                |         |
| SAFETY AND NOISE REGULATIONS       | AGENCY APPROVALS  | UL60950-1, C-UL (CSA60950-1), EN60950-1, EN60065, EN50178 Complies with DEN-AN                         |                  |                  |   |                |                |                |                |         |
|                                    | CONDUCTED NOISE   | Complies with FCC-B, VCCI-B, CISPR-B, EN55011-B, EN55022-B   |                  |                  |   |                |                |                |                |         |
|                                    | HARMONIC ATTENUATOR   | Complies with IEC61000-3-2 (Class A) *8  |                  |                  |   |                |                |                |                |         |
| OTHERS                             | CASE SIZE/WEIGHT  | 62 X 33.5 X 155mm [2.44 X 1.32 X 6.10 inches] (W X H X D) / 280g max (with chassis & cover : 480g max) |                  |                  |   |                |                |                |                |         |
|                                    | COOLING METHOD  | Convection (Refer to Instruction Manual 3.1 and 3.2) *4  |                  |                  |   |                |                |                |                |         |

\*1 Specification is changed at option, refer to Instruction Manual.  
 \*2 This is the value that measured on measuring board with capacitor of 22 μF at 150mm from output terminal.  
 \*3 Drift is the change in DC output for an eight hour period after a half-hour warm-up at 25°C, with the input voltage held constant  
 \*4 at the rated input/output.  
 \*5 Derating is required.  
 \*6 Applicable when Remote ON/OFF (optional) is added.  
 \*7 Please contact us about dynamic load and input response.  
 \*8 Please contact us about another class.  
 \*9 To meet the specifications. Do not operate over-loaded condition.  
 \*10 Parallel operation is not possible.  
 \*11 Derating is required when operated with chassis and cover.  
 \*12 Sound noise may be generated by power supply in case of pulse load.

## Block diagram

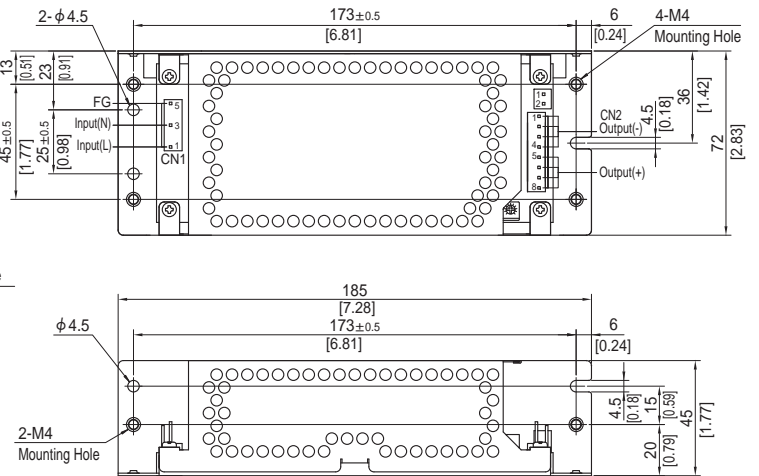
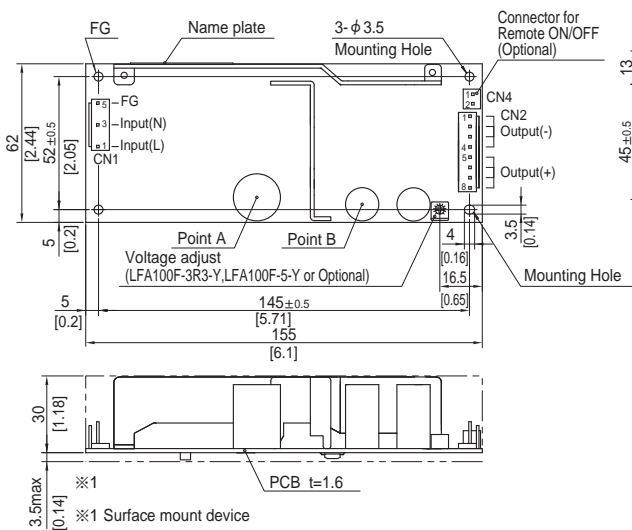


## External view

※ External size of option is different from standard model.

Standard type

Chassis and cover type



- ※ 4 Mounting holes are existing.
- ※ The back side of P.C.B. of the power supply is assembled some SMDs.  
Be attention not to bump against the attached area by vibration.
- ※ Use the spacer of 8mm length or more regarding insulation.  
And do not use press-fitting bush.
- ※ Point A, Point B are thermometry points. Please refer to Instruction Manual 3.

| I/O Connector | Mating connector | Terminal |           |
|---------------|------------------|----------|-----------|
| CN1           | 1-1123724-3      | Chain    | 1123721-1 |
|               |                  | Loose    | 1318912-1 |
| CN2           | 1-1123723-8      | Chain    | 1123721-1 |
|               |                  | Loose    | 1318912-1 |

(Mfr:Tyco Electronics)

- ※ I/O Connector is Mfr. Tyco Electronics
- ※ Option:-J1:VH(J.S.T) connector type.

### <PIN CONNECTION>

#### CN1

| Pin No. | Input |
|---------|-------|
| 1       | AC(L) |
| 2       |       |
| 3       | AC(N) |
| 4       |       |
| 5       | FG    |

#### CN2

| Pin No. | Output |
|---------|--------|
| 1 to 4  | -V     |
| 5 to 8  | +V     |

※ Keep drawing current per pin below 5A for CN2.

- ※ Tolerance :  $\pm 1$  [ $\pm 0.04$ ]
- ※ Weight : 280g max (with chassis & cover : 480g max)
- ※ PCB material : CEM3
- ※ Optional chassis and cover material : Electric galvanizing steel board.
- ※ Dimensions in mm, [ ]=inches
- ※ Mounting torque (Mounting hole of chassis) :1.5N · m (16kgf · cm) max

### Connector type

#### CN4 Option (Mfr.J.S.T)

| PIN No. | Contents |
|---------|----------|
| 1       | RC(+)    |
| 2       | RC(-)    |

### Barrier strip type

Model B2B-XH-A  
Mating Connector (Terminal)  
XHP-2  
( BXH-001T-P0.6  
or SXH-001T-P0.6 )

# LFA150F

① LF ② A ③ 150 ④ F ⑤ -□ ⑥ -□



Recommended EMI/EMC Filter  
NAC-04-472



High voltage pulse noise type : NAP series  
Low leakage current type : NAM series  
\*The EMI/EMC Filter is recommended to connect with several devices.

- ① Series name
  - ② Single output
  - ③ Output wattage
  - ④ Universal input
  - ⑤ Output voltage
  - ⑥ Optional \*1
  - C : with Coating
  - G : Low leakage current
  - H : with the function to be acceptable to output peak current (only 24V)
  - J1 : VH(J.S.T.)connector type
  - R : with Remote ON/OFF
  - R2 : with Remote ON/OFF
  - S : with Chassis
  - SN : with Chassis & cover
  - Y : with Potentiometer
- Please refer to Instruction manual 5.

This power supply is manufactured by SMD technology. The stress to P.C.B like twisting or bending causes the defect of the unit, so handle the unit with care.

| MODEL                 | LFA150F-3R3-Y | LFA150F-5-Y | LFA150F-12 | LFA150F-15 | LFA150F-24 | LFA150F-24-H   | LFA150F-36 | LFA150F-48 |
|-----------------------|---------------|-------------|------------|------------|------------|----------------|------------|------------|
| MAX OUTPUT WATTAGE[W] | 99            | 150         | 150        | 150        | 151.2      | 151.2 (189.6)  | 151.2      | 153.6      |
| DC OUTPUT             | 3.3V 30A      | 5V 30A      | 12V 12.5A  | 15V 10A    | 24V 6.3A   | 24V 6.3 (7.9)A | 36V 4.2A   | 48V 3.2A   |

## SPECIFICATIONS

|                                    | MODEL   | LFA150F-3R3-Y  | LFA150F-5-Y      | LFA150F-12       | LFA150F-15  | LFA150F-24     | LFA150F-24-H   | LFA150F-36     | LFA150F-48     |         |
|------------------------------------|---|--|------------------|------------------|---|----------------|----------------|----------------|----------------|---------|
| INPUT                              | VOLTAGE[V]  | AC85 - 264 1 φ (Refer to Instruction Manual 1.1 and 3.2) *4  |                  |                  |   |                |                |                |                |         |
|                                    | CURRENT[A]  | ACIN 100V  | 1.4typ (Io=100%) | 2.0typ (Io=100%) |   |                |                |                |                |         |
|                                    |   | ACIN 200V  | 0.7typ (Io=100%) | 1.0typ (Io=100%) |   |                |                |                |                |         |
|                                    | FREQUENCY[Hz]   | 50 / 60 (47 - 63)  |                  |                  |   |                |                |                |                |         |
|                                    | EFFICIENCY[%]   | ACIN 100V  | 80.0typ          | 82.5typ          | 82.5typ   | 84.0typ        | 85.0typ        | 85.0typ        | 85.0typ        | 85.5typ |
|                                    |   | ACIN 200V  | 82.0typ          | 85.5typ          | 85.0typ   | 86.5typ        | 87.5typ        | 87.5typ        | 87.5typ        | 88.0typ |
|                                    | POWER FACTOR (Io=100%)  | ACIN 100V  | 0.98typ          | 0.99typ          |   |                |                |                |                |         |
| ACIN 200V                          |   | 0.92typ  | 0.95typ          |                  |   |                |                |                |                |         |
| INRUSH CURRENT[A]                  | ACIN 100V   | 15typ (Io=100%) (At cold start) (Ta=25°C)  |                  |                  |   |                |                |                |                |         |
|                                    | ACIN 200V   | 30typ (Io=100%) (At cold start) (Ta=25°C)  |                  |                  |   |                |                |                |                |         |
| LEAKAGE CURRENT[mA]                | 0.40 / 0.75max (ACIN 100V / 240V 60Hz, Io=100%, According to IEC60950-1 and DEN-AN) |  |                  |                  |   |                |                |                |                |         |
| OUTPUT                             | VOLTAGE[V]  | 3.3  | 5                | 12               | 15  | 24             | 24             | 36             | 48             |         |
|                                    | CURRENT[A]  | 30   | 30               | 12.5             | 10  | 6.3            | 6.3 (Peak 7.9) | 4.2            | 3.2            |         |
|                                    | LINE REGULATION[mV]   | 20max  | 20max            | 48max            | 60max   | 96max          | 96max          | 144max         | 192max         |         |
|                                    | LOAD REGULATION[mV]   | 40max  | 40max            | 100max           | 120max  | 150max         | 150max         | 240max         | 240max         |         |
|                                    | RIPPLE[mVp-p]   | 0 to +40°C *2  | 80max            | 80max            | 120max  | 120max         | 120max         | 240max         | 150max         | 150max  |
|                                    |   | -10 - 0°C *2   | 140max           | 140max           | 160max  | 160max         | 160max         | 320max         | 200max         | 200max  |
|                                    | RIPPLE NOISE[mVp-p]   | 0 to +40°C *2  | 120max           | 120max           | 150max  | 150max         | 150max         | 300max         | 250max         | 250max  |
|                                    |   | -10 - 0°C *2   | 160max           | 160max           | 180max  | 180max         | 180max         | 360max         | 300max         | 300max  |
|                                    | TEMPERATURE REGULATION[mV]  | 0 to +40°C   | 50max            | 50max            | 120max  | 150max         | 240max         | 240max         | 360max         | 480max  |
|                                    |   | -10 to +40°C   | 60max            | 60max            | 150max  | 180max         | 290max         | 290max         | 450max         | 600max  |
|                                    | DRIFT[mV]   | 20max  | 20max            | 48max            | 60max   | 96max          | 96max          | 144max         | 192max         |         |
|                                    | START-UP TIME[ms]   | 350typ (ACIN 100V, Io=100%)  |                  |                  |   |                |                |                |                |         |
|                                    | HOLD-UP TIME[ms]  | 20typ (ACIN 100V, Io=100%)   |                  |                  |   |                |                |                |                |         |
| OUTPUT VOLTAGE ADJUSTMENT RANGE[V] | 2.85 to 3.63  |  | 4.50 to 5.50     |                  | Fixed ("Y"option is available for adjusting output voltage) |                |                |                |                |         |
| OUTPUT VOLTAGE SETTING[V]          | 3.30 to 3.40  | 5.00 to 5.15   | 11.50 to 12.50   | 14.40 to 15.60   | 23.00 to 25.00  | 23.00 to 25.00 | 34.50 to 37.50 | 46.00 to 50.00 |                |         |
| PROTECTION CIRCUIT AND OTHERS      | OVERCURRENT PROTECTION  | Works over 105% of rating (works over 101% of peak current at option -H) and recovers automatically    |                  |                  |   |                |                |                |                |         |
|                                    | OVERVOLTAGE PROTECTION  | 4.00 to 5.25   | 5.75 to 7.00     | 13.80 to 16.80   | 17.25 to 21.00  | 27.60 to 33.60 | 27.60 to 33.60 | 41.40 to 50.40 | 55.20 to 67.20 |         |
|                                    | OPERATING INDICATION  | Not provided   |                  |                  |   |                |                |                |                |         |
|                                    | REMOTE SENSING  | Not provided   |                  |                  |   |                |                |                |                |         |
|                                    | REMOTE ON/OFF   | Option (Refer to Instruction Manual)   |                  |                  |   |                |                |                |                |         |
| ISOLATION                          | INPUT-OUTPUT-RC   | *6 AC3,000V 1minute, Cutoff current = 10mA, DC500V 50MΩ min (At Room Temperature)                      |                  |                  |   |                |                |                |                |         |
|                                    | INPUT-FG  | AC2,000V 1minute, Cutoff current = 10mA, DC500V 50MΩ min (At Room Temperature)                         |                  |                  |   |                |                |                |                |         |
|                                    | OUTPUT-RC-FG  | *6 AC500V 1minute, Cutoff current = 25mA, DC500V 50MΩ min (At Room Temperature)                        |                  |                  |   |                |                |                |                |         |
|                                    | OUTPUT-RC   | *6 AC100V 1minute, Cutoff current = 25mA, DC100V 10MΩ min (At Room Temperature)                        |                  |                  |   |                |                |                |                |         |
| ENVIRONMENT                        | OPERATING TEMP., HUMID. AND ALTITUDE *4   | -10 to +70°C, 20 - 90%RH (Non condensing) (Refer to Instruction Manual 3.2), 3,000m (10,000feet) max   |                  |                  |   |                |                |                |                |         |
|                                    | STORAGE TEMP., HUMID. AND ALTITUDE  | -20 to +75°C, 20 - 90%RH (Non condensing), 9,000m (30,000feet) max                                     |                  |                  |   |                |                |                |                |         |
|                                    | VIBRATION   | 10 - 55Hz, 19.6m/s <sup>2</sup> (2G), 3minutes period, 60minutes each along X, Y and Z axis            |                  |                  |   |                |                |                |                |         |
|                                    | IMPACT  | 196.1m/s <sup>2</sup> (20G), 11ms, once each X, Y and Z axis   |                  |                  |   |                |                |                |                |         |
| SAFETY AND NOISE REGULATIONS       | AGENCY APPROVALS  | UL60950-1, C-UL (CSA60950-1), EN60950-1, EN60065, EN50178 Complies with DEN-AN                         |                  |                  |   |                |                |                |                |         |
|                                    | CONDUCTED NOISE   | Complies with FCC-B, VCCI-B, CISPR-B, EN55011-B, EN55022-B   |                  |                  |   |                |                |                |                |         |
|                                    | HARMONIC ATTENUATOR   | Complies with IEC61000-3-2 (Class A) *8  |                  |                  |   |                |                |                |                |         |
| OTHERS                             | CASE SIZE/WEIGHT  | 75 X 37.0 X 160mm [2.95 X 1.46 X 6.30 inches] (W X H X D) / 390g max (with chassis & cover : 650g max) |                  |                  |   |                |                |                |                |         |
|                                    | COOLING METHOD  | Convection (Refer to Instruction Manual 3.1 and 3.2) *4  |                  |                  |   |                |                |                |                |         |

\*1 Specification is changed at option, refer to Instruction Manual.  
 \*2 This is the value that measured on measuring board with capacitor of 22 μF at 150mm from output terminal.  
 \*3 Drift is the change in DC output for an eight hour period after a half-hour warm-up at 25°C, with the input voltage held constant  
 \*4 at the rated input/output.  
 \*5 ( ) means peak current. There is a possibility that an internal device is damaged when the specification is exceeded. Please contact us about the detail.  
 \*6 Applicable when remote control (optional) is added.  
 \*7 Please contact us about dynamic load and input response.  
 \*8 Please contact us about another class.  
 \*9 To meet the specifications. Do not operate over-loaded condition.  
 \*10 Parallel operation is not possible.  
 \*11 Derating is required when operated with chassis and cover.  
 \*12 Sound noise may be generated by power supply in case of pulse load.



## Block diagram



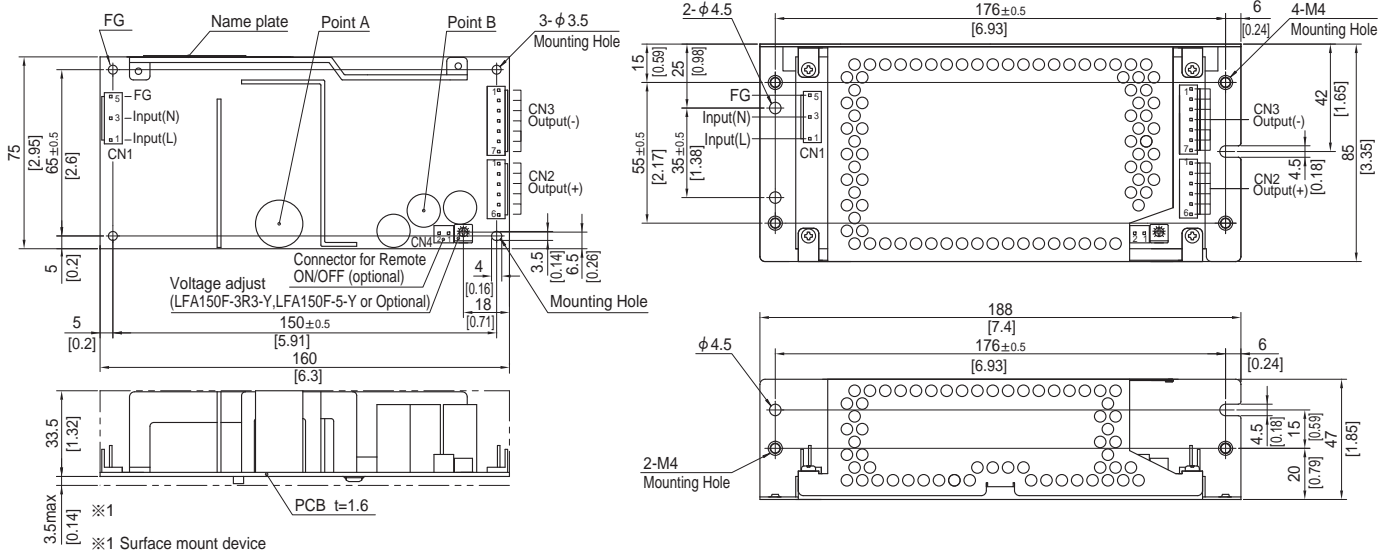
LFA

## External view

※ External size of option is different from standard model.

Standard type

Chassis and cover type



- ※ 4 Mounting holes are existing.
- ※ The back side of P.C.B. of the power supply is assembled some SMDs.
- Be attention not to bump against the attached area by vibration.
- ※ Use the spacer of 8mm length or more regarding insulation. And do not use press-fitting bush.
- ※ Point A, Point B are thermometry points. Please refer to Instruction Manual 3.

| I/O Connector | Mating connector | Terminal    |                 |
|---------------|------------------|-------------|-----------------|
| CN1           | 1-1123724-3      | 1-1123722-5 | Chain 1123721-1 |
|               |                  |             | Loose 1318912-1 |
| CN2           | 1-1123723-6      | 1-1123722-6 | Chain 1123721-1 |
|               |                  |             | Loose 1318912-1 |
| CN3           | 1-1123723-7      | 1-1123722-7 | Chain 1123721-1 |
|               |                  |             | Loose 1318912-1 |

(Mfr:Tyco Electronics)

- ※ I/O Connector is Mfr. Tyco Electronics
- ※ Option: -J1:VH(J.S.T) connector type.

### <PIN CONNECTION>

| CN1     |       | CN2     |        | CN3     |        |
|---------|-------|---------|--------|---------|--------|
| Pin No. | Input | Pin No. | Output | Pin No. | Output |
| 1       | AC(L) | 1 to 6  | +V     | 1 to 7  | -V     |
| 2       |       |         |        |         |        |
| 3       | AC(N) |         |        |         |        |
| 4       |       |         |        |         |        |
| 5       | FG    |         |        |         |        |

※ Keep drawing current per pin below 5A for CN2,CN3.

- ※ Tolerance :  $\pm 1$  [ $\pm 0.04$ ]
- ※ Weight : 390g max (with chassis & cover : 650g max)
- ※ PCB material : CEM3
- ※ Optional chassis and cover material : Electric galvanizing steel board.
- ※ Dimensions in mm, [ ] =inches
- ※ Mounting torque (Mounting hole of chassis) :1.5N · m (16kgf · cm) max

### Connector type

CN4 Option (Mfr.J.S.T)

| PIN No. | Contents |
|---------|----------|
| 1       | RC(+)    |
| 2       | RC(-)    |

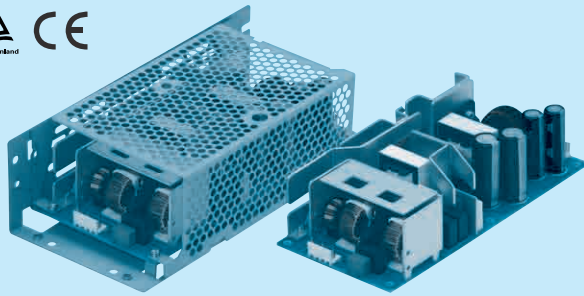
### Barrier strip type

Model B2B-XH-A  
Mating Connector (Terminal)  
XHP-2  
( BXH-001T-P0.6  
or SXH-001T-P0.6 )

# LFA240F

LF A 240 F -□ -□

① ② ③ ④ ⑤ ⑥



Recommended EMI/EMC Filter  
NAC-06-472



High voltage pulse noise type : NAP series  
Low leakage current type : NAM series

- ① Series name
- ② Single output
- ③ Output wattage
- ④ Universal input
- ⑤ Output voltage
- ⑥ Optional \*1
- C : with Coating
- G : Low leakage current
- H : with the function to be acceptable to output peak current (only 24V)
- J1 : VH(J.S.T.)connector type
- R : with Remote ON/OFF
- R2 : with Remote ON/OFF
- S : with Chassis
- SN : with Chassis & cover
- T : Vertical terminal block
- Y : with Potentiometer

This power supply is manufactured by SMD technology. The stress to P.C.B like twisting or bending causes the defect of the unit, so handle the unit with care.

Please refer to Instruction manual 5.

| MODEL                 | LFA240F-24 | LFA240F-24-H   | LFA240F-36 | LFA240F-48 |
|-----------------------|------------|----------------|------------|------------|
| MAX OUTPUT WATTAGE[W] | 240        | 240 (300)      | 241.2      | 240        |
| DC OUTPUT             | 24V 10A    | 24V 10 (12.5)A | 36V 6.7A   | 48V 5A     |

## SPECIFICATIONS

|                               | MODEL   | LFA240F-24   | LFA240F-24-H     | LFA240F-36     | LFA240F-48     |         |
|-------------------------------|---|--|------------------|----------------|----------------|---------|
| INPUT                         | VOLTAGE[V]  | AC85 - 264 1 φ (Refer to Instruction Manual 1.1 and 3.2) *4  |                  |                |                |         |
|                               | CURRENT[A]  | ACIN 100V  | 3.3typ (Io=100%) |                |                |         |
|                               |   | ACIN 200V  | 1.7typ (Io=100%) |                |                |         |
|                               | FREQUENCY[Hz]   | 50 / 60 (47 - 63)  |                  |                |                |         |
|                               | EFFICIENCY[%]   | ACIN 100V  | 84.5typ          | 84.5typ        | 84.5typ        | 84.5typ |
|                               |   | ACIN 200V  | 87.5typ          | 87.5typ        | 87.5typ        | 87.5typ |
|                               | POWER FACTOR (Io=100%)  | ACIN 100V  | 0.99typ          |                |                |         |
| ACIN 200V                     |   | 0.95typ  |                  |                |                |         |
| INRUSH CURRENT[A]             | ACIN 100V   | 15 / 30typ (Io=100%) (Primary inrush current /Secondary inrush current) (More than 3 sec. to re-start) |                  |                |                |         |
|                               | ACIN 200V   | 30 / 30typ (Io=100%) (Primary inrush current /Secondary inrush current) (More than 3 sec. to re-start) |                  |                |                |         |
| LEAKAGE CURRENT[mA]           | 0.40 / 0.75max (ACIN 100V / 240V 60Hz, Io=100%, According to IEC60950-1 and DEN-AN) |  |                  |                |                |         |
| OUTPUT                        | VOLTAGE[V]  | 24   | 24               | 36             | 48             |         |
|                               | CURRENT[A]  | 10   | 10 (Peak12.5)    | 6.7            | 5              |         |
|                               | LINE REGULATION[mV]   | 96max  | 96max            | 144max         | 192max         |         |
|                               | LOAD REGULATION[mV]   | 150max   | 150max           | 240max         | 240max         |         |
|                               | RIPPLE[mVp-p]   | 0 to +40°C *2  | 120max           | 240max         | 150max         | 150max  |
|                               |   | -10 -0°C *2  | 160max           | 320max         | 200max         | 200max  |
|                               | RIPPLE NOISE[mVp-p]   | 0 to +40°C *2  | 150max           | 300max         | 250max         | 250max  |
|                               |   | -10 -0°C *2  | 180max           | 360max         | 300max         | 300max  |
|                               | TEMPERATURE REGULATION[mV]  | 0 to +40°C   | 240max           | 240max         | 360max         | 480max  |
|                               |   | -10 to +40°C   | 290max           | 290max         | 450max         | 600max  |
|                               | DRIFT[mV]   | 96max  | 96max            | 144max         | 192max         |         |
|                               | START-UP TIME[ms]   | 350typ (ACIN 100V, Io=100%)  |                  |                |                |         |
|                               | HOLD-UP TIME[ms]  | 20typ (ACIN 100V, Io=100%)   |                  |                |                |         |
|                               | OUTPUT VOLTAGE ADJUSTMENT RANGE[V]  | Fixed ("Y"option is available for adjusting output voltage)  |                  |                |                |         |
| OUTPUT VOLTAGE SETTING[V]     | 23.00 to 25.00  | 23.00 to 25.00   | 34.50 to 37.50   | 46.00 to 50.00 |                |         |
| PROTECTION CIRCUIT AND OTHERS | OVERCURRENT PROTECTION  | Works over 105% of rating (works over 101% of peak current at option -H) and recovers automatically    |                  |                |                |         |
|                               | OVERVOLTAGE PROTECTION  | 27.60 to 33.60   | 27.60 to 33.60   | 41.40 to 50.40 | 55.20 to 67.20 |         |
|                               | OPERATING INDICATION  | Not provided   |                  |                |                |         |
|                               | REMOTE SENSING  | Not provided   |                  |                |                |         |
|                               | REMOTE ON/OFF   | Option (Refer to Instruction Manual)   |                  |                |                |         |
| ISOLATION                     | INPUT-OUTPUT-RC   | *6 AC3,000V 1minute, Cutoff current = 10mA, DC500V 50MΩ min (At Room Temperature)                      |                  |                |                |         |
|                               | INPUT-FG  | AC2,000V 1minute, Cutoff current = 10mA, DC500V 50MΩ min (At Room Temperature)                         |                  |                |                |         |
|                               | OUTPUT-RC-FG  | *6 AC500V 1minute, Cutoff current = 25mA, DC500V 50MΩ min (At Room Temperature)                        |                  |                |                |         |
|                               | OUTPUT-RC   | *6 AC100V 1minute, Cutoff current = 25mA, DC100V 10MΩ min (At Room Temperature)                        |                  |                |                |         |
| ENVIRONMENT                   | OPERATING TEMP.,HUMID.AND ALTITUDE *4   | -10 to +70°C, 20 - 90%RH (Non condensing) (Refer to Instruction Manual 3.2), 3,000m (10,000feet) max   |                  |                |                |         |
|                               | STORAGE TEMP.,HUMID.AND ALTITUDE  | -20 to +75°C, 20 - 90%RH (Non condensing), 9,000m (30,000feet) max                                     |                  |                |                |         |
|                               | VIBRATION   | 10 - 55Hz, 19.6m/s <sup>2</sup> (2G), 3minutes period, 60minutes each along X, Y and Z axis            |                  |                |                |         |
|                               | IMPACT  | 196.1m/s <sup>2</sup> (20G), 11ms, once each X, Y and Z axis   |                  |                |                |         |
| SAFETY AND NOISE REGULATIONS  | AGENCY APPROVALS  | UL60950-1, C-UL (CSA60950-1), EN60950-1, EN60065, EN50178 Complies with DEN-AN                         |                  |                |                |         |
|                               | CONDUCTED NOISE   | Complies with FCC-B, VCCI-B, CISPR-B, EN55011-B, EN55022-B   |                  |                |                |         |
|                               | HARMONIC ATTENUATOR   | Complies with IEC61000-3-2 (Class A) *8  |                  |                |                |         |
| OTHERS                        | CASE SIZE/WEIGHT  | 84 X 46.5 X 180mm [3.31 X 1.83 X 7.09 inches] (W X H X D) / 550g max (with chassis & cover : 880g max) |                  |                |                |         |
|                               | COOLING METHOD  | Convection (Refer to Instruction Manual 3.1 and 3.2) *4  |                  |                |                |         |

\*1 Specification is changed at option, refer to Instruction Manual.

\*2 This is the value that measured on measuring board with capacitor of 22 μF at 150mm from output terminal.  
Measured by 20MHz oscilloscope or Ripple-Noise meter (Equivalent to KEISOKU-GIKEN: RM103).

\*3 Drift is the change in DC output for an eight hour period after a half-hour warm-up at 25°C, with the input voltage held constant

at the rated input/output.

\*4 Derating is required.

\*5 ( ) means peak current. There is a possibility that an internal device is damaged when the specification is exceeded. Please contact us about the detail.

\*6 Applicable when remote control (optional) is added.

\*7 Please contact us about dynamic load and input response.

\*8 Please contact us about another class.

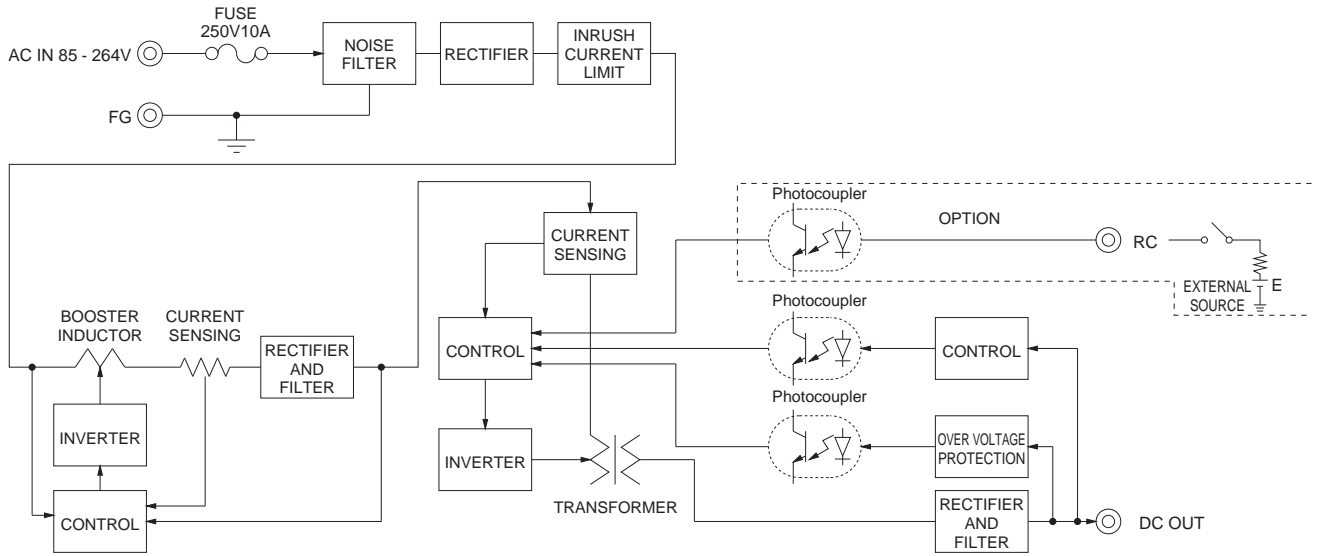
\* To meet the specifications. Do not operate over-loaded condition.

\* Parallel operation is not possible.

\* Derating is required when operated with chassis and cover.

\* Sound noise may be generated by power supply in case of pulse load.

## Block diagram

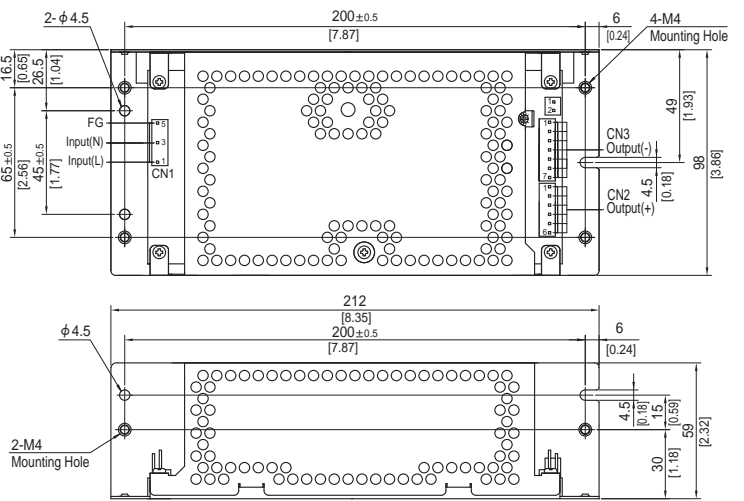


## External view

※ External size of option is different from standard model.

Standard type

Chassis and cover type



- ※ 5 Mounting holes are existing.
- ※ The back side of P.C.B. of the power supply is assembled some SMDs.
- Be attention not to bump against the attached area by vibration.
- ※ Use the spacer of 8mm length or more regarding insulation.
- And do not use press-fitting bush.
- ※ Point A, Point B are thermometry points. Please refer to Instruction Manual 3.

| I/O Connector   | Mating connector | Terminal        |
|-----------------|------------------|-----------------|
| CN1 1-1123724-3 | 1-1123722-5      | Chain 1123721-1 |
|                 |                  | Loose 1318912-1 |
|                 |                  | Chain 1123721-1 |
| CN2 1-1123723-6 | 1-1123722-6      | Loose 1318912-1 |
|                 |                  | Chain 1123721-1 |
|                 |                  | Loose 1318912-1 |
| CN3 1-1123723-7 | 1-1123722-7      | Chain 1123721-1 |
|                 |                  | Loose 1318912-1 |

(Mfr:Tyco Electronics)

- ※ I/O Connector is Mfr. Tyco Electronics
- ※ Option:-J1:VH(J.S.T) connector type.

### <PIN CONNECTION>

| CN1     |       | CN2     |        | CN3     |        |
|---------|-------|---------|--------|---------|--------|
| Pin No. | Input | Pin No. | Output | Pin No. | Output |
| 1       | AC(L) | 1 to 6  | +V     | 1 to 7  | -V     |
| 2       |       |         |        |         |        |
| 3       | AC(N) |         |        |         |        |
| 4       |       |         |        |         |        |
| 5       | FG    |         |        |         |        |

※ Keep drawing current per pin below 5A for CN2,CN3.

- ※ Tolerance : ±1 [±0.04]
- ※ Weight : 550g max (with chassis & cover : 880g max)
- ※ PCB material : CEM3
- ※ Optional chassis and cover material : Electric galvanizing steel board.
- ※ Dimensions in mm, [ ]=inches
- ※ Mounting torque (Mounting hole of chassis) :1.5N · m (16kgf · cm) max

### Connector type

CN4 Option (Mfr:J.S.T)

| PIN No. | Contents |
|---------|----------|
| 1       | RC(+)    |
| 2       | RC(-)    |

### Barrier strip type

Model B2B-XH-A  
Mating Connector (Terminal)  
XHP-2  
( BXH-001T-P0.6  
or SXH-001T-P0.6 )

# LFA300F

LF A 300 F -□ -□  
 ① ② ③ ④ ⑤ ⑥



Recommended EMI/EMC Filter  
**NAC-06-472**



High voltage pulse noise type : NAP series  
 Low leakage current type : NAM series

- ① Series name
  - ② Single output
  - ③ Output wattage
  - ④ Universal input
  - ⑤ Output voltage
  - ⑥ Optional \*1
  - C : with Coating
  - G : Low leakage current
  - H : with the function to be acceptable to output peak current
  - (Only 24V, 30V, 36V and 48V)
  - J : EP (Tyco Electronics) connector type (Except 3.3V and 5V)
  - J1 : VH (J.S.T.) connector type (Except 3.3V and 5V)
  - R : with Remote ON/OFF
  - R2 : with Remote ON/OFF
  - S : with Chassis
  - SNF : with Chassis & cover & fan (Only 5V, 12V and 24V)
  - T1 : Horizontal terminal block
- Please refer to Instruction manual 5.

This power supply is manufactured by SMD technology. The stress to P.C.B like twisting or bending causes the defect of the unit, so handle the unit with care.

| MODEL                 | LFA300F-3R3-TY | LFA300F-5-TY | LFA300F-12-TY | LFA300F-15-TY | LFA300F-24-TY | LFA300F-24-HTY | LFA300F-30-TY  | LFA300F-36-TY | LFA300F-48-TY |          |
|-----------------------|----------------|--------------|---------------|---------------|---------------|----------------|----------------|---------------|---------------|----------|
| MAX OUTPUT WATTAGE[W] | *5 198         | 300          | 324           | 330           | 336           | 336 (456)      | 330            | 338.4         | 336           |          |
| DC OUTPUT             | Convection     | 3.3V 40A     | 5V 40A        | 12V 17A       | 15V 14A       | 24V 12.5A      | 24V 12.5 (19)A | 30V 10A       | 36V 8.4A      | 48V 6.3A |
|                       | Forced air     | 3.3V 60A     | 5V 60A        | 12V 27A       | 15V 22A       | 24V 14A        | 24V 14 (19)A   | 30V 11A       | 36V 9.4A      | 48V 7A   |

## SPECIFICATIONS

|                                    | MODEL   | LFA300F-3R3-TY  | LFA300F-5-TY     | LFA300F-12-TY  | LFA300F-15-TY    | LFA300F-24-TY  | LFA300F-24-HTY | LFA300F-30-TY  | LFA300F-36-TY  | LFA300F-48-TY  |         |
|------------------------------------|---|---|------------------|----------------|------------------|----------------|----------------|----------------|----------------|----------------|---------|
| INPUT                              | VOLTAGE[V]  | AC85 - 264 1 φ (Refer to Instruction Manual 1.1 and 3.2) *4   |                  |                |                  |                |                |                |                |                |         |
|                                    | CURRENT[A]  | ACIN 100V   | 2.7typ (Io=100%) |                | 4.1typ (Io=100%) |                |                |                |                |                |         |
|                                    |   | ACIN 200V   | 1.4typ (Io=100%) |                | 2.0typ (Io=100%) |                |                |                |                |                |         |
|                                    | FREQUENCY[Hz]   | 50 / 60 (47 - 63)   |                  |                |                  |                |                |                |                |                |         |
|                                    | EFFICIENCY[%]   | ACIN 100V   | 75.0typ          | 79.0typ        | 80.0typ          | 81.5typ        | 85.0typ        | 85.0typ        | 85.5typ        | 85.5typ        | 85.5typ |
|                                    |   | ACIN 200V   | 77.0typ          | 82.5typ        | 83.0typ          | 84.5typ        | 88.0typ        | 88.0typ        | 88.0typ        | 88.0typ        | 88.0typ |
|                                    | POWER FACTOR (Io=100%)  | ACIN 100V   | 0.98typ          |                | 0.99typ          |                |                |                |                |                |         |
|                                    |   | ACIN 200V   | 0.92typ          |                | 0.95typ          |                |                |                |                |                |         |
| INRUSH CURRENT[A]                  | ACIN 100V   | 15 / 30typ (Io=100%) (Primary inrush current /Secondary inrush current) (More then 3 sec. to re-start)                    |                  |                |                  |                |                |                |                |                |         |
|                                    | ACIN 200V   | 30 / 30typ (Io=100%) (Primary inrush current /Secondary inrush current) (More then 3 sec. to re-start)                    |                  |                |                  |                |                |                |                |                |         |
| LEAKAGE CURRENT[ma]                | 0.45 / 0.75max (ACIN 100V / 240V 60Hz, Io=100%, According to IEC60950-1 and DEN-AN) |   |                  |                |                  |                |                |                |                |                |         |
| OUTPUT                             | VOLTAGE[V]  | 3.3   | 5                | 12             | 15               | 24             | 24             | 30             | 36             | 48             |         |
|                                    | CURRENT[A]  | Convection  | 40               | 40             | 17               | 14             | 12.5           | 12.5 (Peak19)  | 10             | 8.4            | 6.3     |
|                                    |   | Forced air  | 60               | 60             | 27               | 22             | 14             | 14 (Peak19)    | 11             | 9.4            | 7       |
|                                    | LINE REGULATION[mV]   | *7 20max  | 20max            | 48max          | 60max            | 96max          | 96max          | 144max         | 144max         | 192max         |         |
|                                    | LOAD REGULATION[mV]   | *7 40max  | 40max            | 100max         | 120max           | 150max         | 150max         | 240max         | 240max         | 240max         |         |
|                                    | RIPPLE[mVp-p]   | 0 to +40C *2  | 80max            | 80max          | 120max           | 120max         | 120max         | 240max         | 150max         | 150max         | 150max  |
|                                    |   | -10-0C *2   | 140max           | 140max         | 160max           | 160max         | 160max         | 320max         | 200max         | 200max         | 200max  |
|                                    | RIPPLE NOISE[mVp-p]   | 0 to +40C *2  | 120max           | 120max         | 150max           | 150max         | 150max         | 300max         | 250max         | 250max         | 250max  |
|                                    |   | -10-0C *2   | 160max           | 160max         | 180max           | 180max         | 180max         | 360max         | 300max         | 300max         | 300max  |
|                                    | TEMPERATURE REGULATION[mV]  | 0 to +40C   | 50max            | 50max          | 120max           | 150max         | 240max         | 240max         | 360max         | 360max         | 480max  |
|                                    |   | -10 to +40C   | 60max            | 60max          | 150max           | 180max         | 290max         | 290max         | 450max         | 450max         | 600max  |
|                                    | DRIFT[mV]   | *3 20max  | 20max            | 48max          | 60max            | 96max          | 96max          | 144max         | 144max         | 192max         |         |
|                                    | START-UP TIME[ms]   | 350typ (ACIN 100V, Io=100%)   |                  |                |                  |                |                |                |                |                |         |
| HOLD-UP TIME[ms]                   | 20typ (ACIN 100V, Io=100%)  |   |                  |                |                  |                |                |                |                |                |         |
| OUTPUT VOLTAGE ADJUSTMENT RANGE[V] | 2.85 to 3.63  | 4.50 to 5.50  | 10.80 to 13.20   | 13.50 to 16.50 | 21.60 to 27.50   | 21.60 to 27.50 | 27.00 to 33.00 | 32.40 to 39.60 | 39.60 to 52.80 |                |         |
| OUTPUT VOLTAGE SETTING[V]          | 3.30 to 3.40  | 5.00 to 5.15  | 12.00 to 12.48   | 15.00 to 15.60 | 24.00 to 24.96   | 24.00 to 24.96 | 30.00 to 31.20 | 36.00 to 37.44 | 48.00 to 49.92 |                |         |
| PROTECTION CIRCUIT AND OTHERS      | OVERCURRENT PROTECTION  | Works over 105% of rating (works over 101% of peak current at option -H) and recovers automatically                       |                  |                |                  |                |                |                |                |                |         |
|                                    | OVERVOLTAGE PROTECTION  | 4.00 to 5.25  | 5.75 to 7.00     | 13.80 to 16.80 | 17.25 to 21.00   | 27.60 to 33.60 | 27.60 to 33.60 | 34.50 to 42.00 | 41.40 to 50.40 | 55.20 to 67.20 |         |
|                                    | OPERATING INDICATION  | Not provided  |                  |                |                  |                |                |                |                |                |         |
|                                    | REMOTE SENSING  | Not provided  |                  |                |                  |                |                |                |                |                |         |
| REMOTE ON/OFF                      | Option (Refer to Instruction Manual)  |   |                  |                |                  |                |                |                |                |                |         |
| ISOLATION                          | INPUT-OUTPUT-RC   | *6 AC3,000V 1minute, Cutoff current = 10mA, DC500V 50MΩ min (At Room Temperature)   |                  |                |                  |                |                |                |                |                |         |
|                                    | INPUT-FG  | AC2,000V 1minute, Cutoff current = 10mA, DC500V 50MΩ min (At Room Temperature)  |                  |                |                  |                |                |                |                |                |         |
|                                    | OUTPUT-RC-FG  | *6 AC500V 1minute, Cutoff current = 25mA, DC500V 50MΩ min (At Room Temperature)   |                  |                |                  |                |                |                |                |                |         |
|                                    | OUTPUT-RC   | *6 AC100V 1minute, Cutoff current = 25mA, DC100V 10MΩ min (At Room Temperature)   |                  |                |                  |                |                |                |                |                |         |
| ENVIRONMENT                        | OPERATING TEMP., HUMID. AND ALTITUDE  | *4 -10 to +70°C, 20 - 90%RH (Non condensing) (Refer to Instruction Manual 3.2), 3,000m (10,000feet) max                   |                  |                |                  |                |                |                |                |                |         |
|                                    | STORAGE TEMP., HUMID. AND ALTITUDE  | -20 to +75°C, 20 - 90%RH (Non condensing), 9,000m (30,000feet) max  |                  |                |                  |                |                |                |                |                |         |
|                                    | VIBRATION   | 10 - 55Hz, 19.6m/s <sup>2</sup> (2G), 3minutes period, 60minutes each along X, Y and Z axis                               |                  |                |                  |                |                |                |                |                |         |
|                                    | IMPACT  | 196.1m/s <sup>2</sup> (20G), 11ms, once each X, Y and Z axis  |                  |                |                  |                |                |                |                |                |         |
| SAFETY AND NOISE REGULATIONS       | AGENCY APPROVALS  | UL60950-1, C-UL (CSA60950-1), EN60950-1, EN60065, EN50178 Complies with DEN-AN  |                  |                |                  |                |                |                |                |                |         |
|                                    | CONDUCTED NOISE   | Complies with FCC-B, VCCI-B, CISPR-B, EN55011-B, EN55022-B  |                  |                |                  |                |                |                |                |                |         |
|                                    | HARMONIC ATTENUATOR   | Complies with IEC61000-3-2 (Class A) *8   |                  |                |                  |                |                |                |                |                |         |
| OTHERS                             | CASE SIZE/WEIGHT  | 95X52.5X222mm [3.74X2.07X8.74 inches] (W X H X D) (without terminal block) / 810g max (with chassis & cover : 1,270g max) |                  |                |                  |                |                |                |                |                |         |
|                                    | COOLING METHOD  | Convection / Forced air (Refer to Instruction Manual 3.1 and 3.2) *4  |                  |                |                  |                |                |                |                |                |         |

\*1 Specification is changed at option, refer to Instruction Manual.  
 \*2 This is the value that measured on measuring board with capacitor of 22μF at 150mm from output terminal.  
 \*3 Drift is the change in DC output for an eight hour period after a half-hour warm-up at 25°C, with the input voltage held constant  
 \*4 at the rated input/output.  
 \*5 ( ) means peak current. There is a possibility that an internal device is damaged when the specification is exceeded. Please contact us about the detail.  
 \*6 Applicable when remote control (optional) is added.  
 \*7 Please contact us about dynamic load and input response.  
 \*8 Please contact us about another class.  
 \*9 To meet the specifications. Do not operate over-loaded condition.  
 \*10 Parallel operation is not possible.  
 \*11 Derating is required when operated with chassis and cover.  
 \*12 Sound noise may be generated by power supply in case of pulse load.

## Block diagram



## External view

※ External size of option is different from standard model.

Standard type



Connector type

CN4 Option (Mfr.:J.S.T)

| PIN No. | Contents |
|---------|----------|
| 1       | RC(+)    |
| 2       | RC(-)    |

Barrier strip type

Model B2B-XH-A  
Mating Connector (Terminal)  
XHP-2  
( BXH-001T-P0.6  
or SXH-001T-P0.6 )



- ※ 5 Mounting holes are existing.
- ※ The back side of P.C.B. of the power supply is assembled some SMDs.
- Be attention not to bump against the attached area by vibration.
- ※ Use the spacer of 8mm length or more regarding insulation. And do not use press-fitting bush.
- ※ Point A, Point B, Point C, Point D are thermometry points. Please refer to Instruction Manual 3.
- ※ Keep drawing current per pin below 20A for TB2.

- ※ Tolerance :  $\pm 1$  [ $\pm 0.04$ ]
- ※ Weight : 810g max (with chassis & cover : 1,270g max)
- ※ PCB material : CEM3
- ※ Dimensions in mm, [ ]=inches
- ※ Screw tightening torque : M4 1.6N · m (16.9kgf · cm) max



# Mouser Electronics

Authorized Distributor

Click to View Pricing, Inventory, Delivery & Lifecycle Information:

## Cosel:

[LFA100F-36-J1R2](#) [LFA100F-48-SGY](#) [LFA100F-24-SCR2](#) [LFA150F-36-CGR](#) [LFA150F-36-J1](#) [LFA240F-36-SNT](#)  
[LFA75F-5-SJ1](#) [LFA75F-5-SN](#) [LFA75F-5-SNJ1](#) [LFA75F-5-SNY](#) [LFA75F-48-SN](#) [LFA75F-48-SNJ1](#) [LFA75F-48-SNY](#)  
[LFA75F-5](#) [LFA75F-5-C](#) [LFA75F-5-G](#) [LFA75F-3R3-GJ1Y](#) [LFA75F-3R3-SNJ1Y](#) [LFA75F-3R3-Y](#) [LFA75F-48-C](#)  
[LFA75F-48-GJ1](#) [LFA75F-48-S](#) [LFA75F-36](#) [LFA75F-36-CJ1](#) [LFA75F-36-G](#) [LFA75F-36-SNJ1](#) [LFA75F-36-SNY](#)  
[LFA75F-36-Y](#) [LFA75F-15-SNJ1Y](#) [LFA75F-24-GJ1](#) [LFA75F-24-J1Y](#) [LFA75F-24-S](#) [LFA75F-24-SJ1Y](#) [LFA75F-24-](#)  
[SNJ1Y](#) [LFA75F-12-SNY](#) [LFA75F-15-C](#) [LFA75F-15-GJ1](#) [LFA75F-15-S](#) [LFA75F-15-SN](#) [LFA75F-15-SNJ1](#) [LFA50F-5-](#)  
[Y](#) [LFA75F-12-CJ1](#) [LFA75F-12-GJ1](#) [LFA75F-12-J1Y](#) [LFA75F-12-S](#) [LFA75F-12-SN](#) [LFA50F-5-C](#) [LFA50F-5-G](#)  
[LFA50F-5-J1](#) [LFA50F-5-J1Y](#) [LFA50F-5-SJ1](#) [LFA50F-5-SNJ1](#) [LFA50F-48-G](#) [LFA50F-48-S](#) [LFA50F-48-SN](#) [LFA50F-](#)  
[48-SNJ1](#) [LFA50F-48-SNY](#) [LFA50F-48-SY](#) [LFA50F-3R3-J1Y](#) [LFA50F-3R3-SNJ1Y](#) [LFA50F-3R3-SNY](#) [LFA50F-3R3-](#)  
[SY](#) [LFA50F-48](#) [LFA50F-48-CJ1](#) [LFA50F-36-G](#) [LFA50F-36-GJ1](#) [LFA50F-36-J1](#) [LFA50F-36-SNJ1](#) [LFA50F-36-](#)  
[SNJ1Y](#) [LFA50F-3R3-CJ1Y](#) [LFA50F-24-SJ1](#) [LFA50F-24-SN](#) [LFA50F-24-SNCGJ1Y](#) [LFA50F-24-SNGJ1](#) [LFA50F-24-](#)  
[SNY](#) [LFA50F-36-C](#) [LFA50F-15-SNJ1](#) [LFA50F-15-SNJ1Y](#) [LFA50F-24](#) [LFA50F-24-G](#) [LFA50F-24-GJ1](#) [LFA50F-24-S](#)  
[LFA50F-12-SNY](#) [LFA50F-12-Y](#) [LFA50F-15-C](#) [LFA50F-15-CJ1Y](#) [LFA50F-15-J1Y](#) [LFA50F-15-SJ1Y](#) [LFA50F-12-GJ1](#)  
[LFA50F-12-J1Y](#) [LFA50F-12-S](#) [LFA50F-12-SJ1Y](#) [LFA50F-12-SNCJ1](#) [LFA50F-12-SNJ1](#) [LFA30F-5-SJ1Y](#) [LFA30F-5-](#)  
[SNC](#) [LFA30F-5-SNCJ1](#) [LFA30F-5-SNJ1Y](#) [LFA50F-12-C](#) [LFA50F-12-G](#)



Компания «ЭлектроПласт» предлагает заключение долгосрочных отношений при поставках импортных электронных компонентов на взаимовыгодных условиях!

Наши преимущества:

- Оперативные поставки широкого спектра электронных компонентов отечественного и импортного производства напрямую от производителей и с крупнейших мировых складов;
- Поставка более 17-ти миллионов наименований электронных компонентов;
- Поставка сложных, дефицитных, либо снятых с производства позиций;
- Оперативные сроки поставки под заказ (от 5 рабочих дней);
- Экспресс доставка в любую точку России;
- Техническая поддержка проекта, помощь в подборе аналогов, поставка прототипов;
- Система менеджмента качества сертифицирована по Международному стандарту ISO 9001;
- Лицензия ФСБ на осуществление работ с использованием сведений, составляющих государственную тайну;
- Поставка специализированных компонентов (Xilinx, Altera, Analog Devices, Intersil, Interpoint, Microsemi, Aeroflex, Peregrine, Syfer, Eurofarad, Texas Instrument, Miteq, Cobham, E2V, MA-COM, Hittite, Mini-Circuits, General Dynamics и др.);

Помимо этого, одним из направлений компании «ЭлектроПласт» является направление «Источники питания». Мы предлагаем Вам помощь Конструкторского отдела:

- Подбор оптимального решения, техническое обоснование при выборе компонента;
- Подбор аналогов;
- Консультации по применению компонента;
- Поставка образцов и прототипов;
- Техническая поддержка проекта;
- Защита от снятия компонента с производства.



#### Как с нами связаться

**Телефон:** 8 (812) 309 58 32 (многоканальный)

**Факс:** 8 (812) 320-02-42

**Электронная почта:** [org@eplast1.ru](mailto:org@eplast1.ru)

**Адрес:** 198099, г. Санкт-Петербург, ул. Калинина, дом 2, корпус 4, литера А.