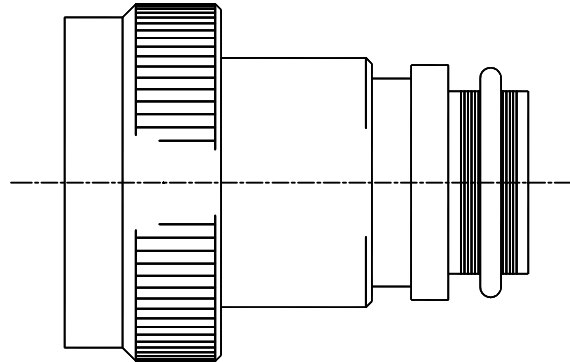


THIS DRAWING AND THE INFORMATION SET FORTH HERE-  
ON ARE THE PROPERTY OF TYCO ELECTRONICS  
AND ARE TO BE HELD IN TRUST AND CONFIDENCE. PUB-  
LICATON, DUPLICATION, DISCLOSURE, OR USE FOR ANY  
PURPOSE NOT EXPRESSLY AUTHORIZED IN WRITING BY  
TYCO ELECTRONICS IS PROHIBITED.

REVISIONS			
LTR	DESCRIPTION	DATE	APPROVED
B	INITIAL RELEASE PER ECO-13-002859	02/18/13	IMYONG



CODE 66 TINEL-LOCK ADAPTER

NOTES:


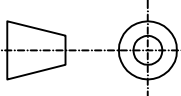
1. THIS PRODUCT IS DESIGNED TO TERMINATE A BRAIDED CABLE SHIELD AND A HEAT SHRINKABLE LIPPED BOOT TO A CONNECTOR.
2. SEE CH00-0250-008 FOR ORDERING INFORMATION, MODIFICATIONS AND ADDITIONAL DIMENSIONS.
- ③ SEE DRAWING TR FOR DETAIL ON TINEL-LOCK RING. RINGS ARE DESIGNED TO BE HEATED ELECTRICALLY. ALL RINGS ARE MARKED WITH THERMOCHROMIC PAINT WHICH CHANGES COLOR WHEN INSTALLATION TEMPERATURE IS REACHED.
4. ADAPTER TO BE PERMANENTLY MARKED WITH CODE IDENTIFICATION NUMBER AND PART NUMBER, LESS RING DESIGNATOR. (e.g. 06090 TXR66AB00-2012). RING SHALL BEAR NO MARKING.
- ⑤ FOR LARGER ENTRY SIZES, A 2 PIECE ADAPTER (TYPE II) IS SUPPLIED.
- ⑥ ADAPTER MATES TO: LITTON-VEAM VG95234 CONNECTORS, CIR SERIES, 06\*, 07\* AND 08\*, LESS ALL BACKSHELLS.

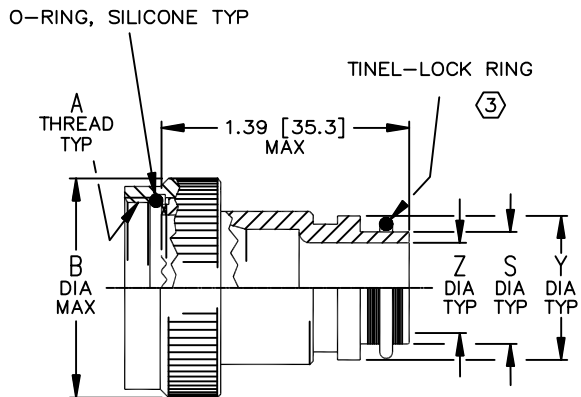
If this document is printed it becomes uncontrolled. Check for the latest revision

Raychem Adapters

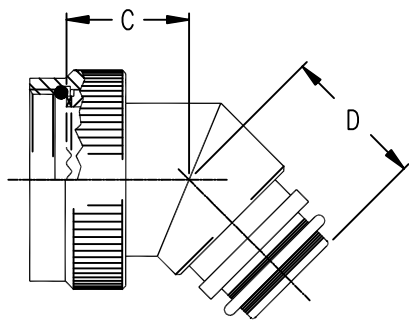
© 2012-2013 Tyco electronics corporation. All rights reserved

CUSTOMER DRAWING

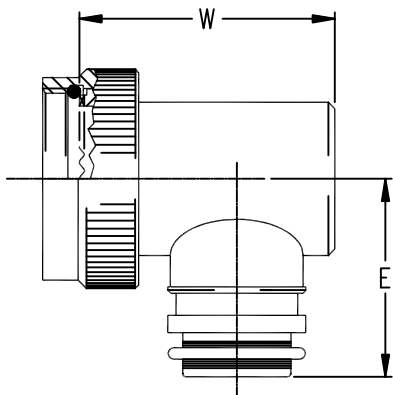
UNLESS OTHERWISE SPECIFIED DIMENSIONS ARE IN INCHES AND TOLERANCES ARE:  .XXX ± - .XX ± - .X ± - ANGLES .X ± -	DRAWN G.WELLS	DATE FEB2013	 TE Connectivity			
	CHECKED -	DATE -				
	APPROVED -	DATE -				
MATERIAL -	THIRD ANGLE PROJECTION 		TITLE  TINEL-LOCK™ ADAPTER			
FINISH -	CAD NAME TXR66_CD-1.dwg	RPN: -	SIZE A	CAGE CODE: 06090	DWG. NO. TXR66	REV B
			SCALE: NONE	SHEET 1 OF 3		



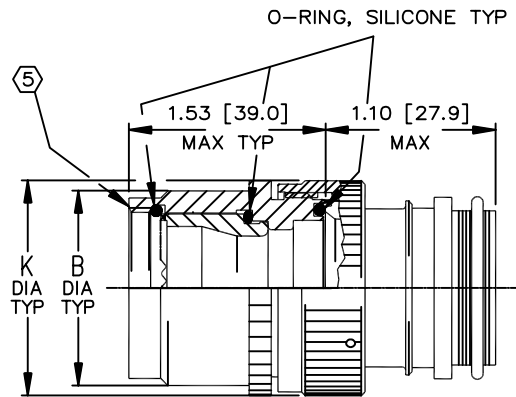
STRAIGHT ADAPTER - TYPE I



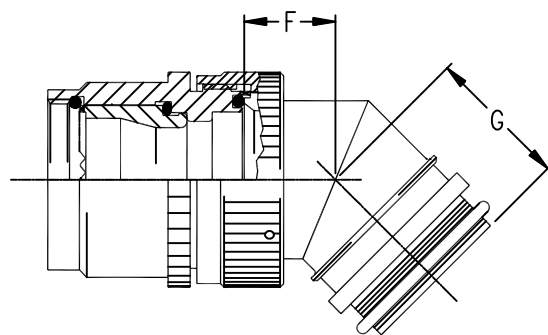
45° ADAPTER - TYPE I



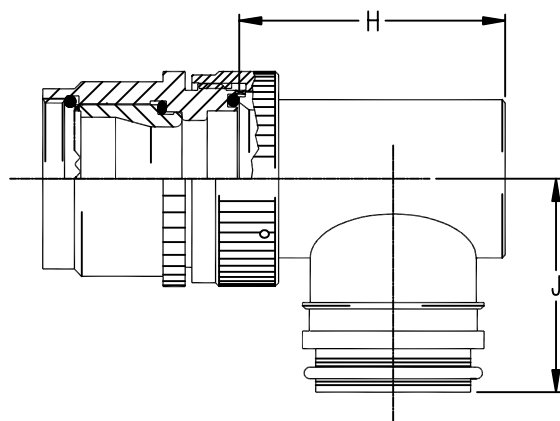
90° ADAPTER - TYPE I



STRAIGHT ADAPTER - TYPE II



45° ADAPTER - TYPE II



90° ADAPTER - TYPE II

Raychem Adapters  
CUSTOMER DRAWING

SIZE A	CAGE CODE: 06090	DWG. NO. TXR66	REV B
SCALE: NONE		SHEET 2 OF 3	

TABLE I								
ORDER NUMBER	SHELL SIZE ⑤ ⑥	MAX ENTRY SIZE ⑤ ⑥ TYPE I	A UNIFIED THREAD CLASS 2B	B DIA MAX	C MAX	D MAX	E MAX	W MAX
11	10SL	05	0.625-24 UNEF	.91 [23.1]	.82 [20.8]	1.16 [29.5]	1.20 [30.5]	1.21 [30.7]
14	14S	07	0.750-20 UNEF	1.04 [26.4]	.86 [21.8]	1.18 [30.0]	1.27 [32.3]	1.27 [32.3]
16	16/16S	08	0.875-20 UNEF	1.22 [31.0]	.93 [23.6]	1.20 [30.5]	1.33 [33.8]	1.33 [33.8]
18	18	10	1.000-20 UNEF	1.35 [34.3]	.99 [25.1]	1.22 [31.0]	1.39 [35.3]	1.58 [40.1]
20	20	12	1.125-18 UNEF	1.47 [37.4]	1.04 [26.4]	1.25 [31.8]	1.45 [36.8]	1.58 [40.1]
22	22	14	1.250-18 UNEF	1.60 [40.6]	1.06 [26.9]	1.27 [32.3]	1.52 [38.6]	1.65 [41.9]
24	24	16	1.375-18 UNEF	1.72 [43.7]	1.09 [27.7]	1.29 [32.8]	1.58 [40.1]	1.89 [48.0]
28	28	18	1.625-18 UNEF	1.97 [50.0]	1.11 [28.2]	1.32 [33.5]	1.70 [43.2]	2.02 [51.3]
32	32	22	1.875-16 UN	2.22 [56.4]	1.17 [29.7]	1.37 [34.8]	1.83 [46.5]	2.27 [57.7]
36	36	24	2.062-16 UN	2.47 [62.7]	1.22 [31.0]	1.42 [36.1]	1.92 [48.8]	2.58 [65.5]
40	40	28	2.312-16 UN	2.72 [69.1]	1.28 [32.5]	1.48 [37.6]	2.05 [52.1]	2.83 [71.9]

TABLE II									
ENTRY SIZE	Z DIA +0.010 -0.020 [+0.25] [-0.50]	S DIAMETER		Y DIA ±0.015 [±0.38]	F MAX	G MAX	H MAX	J MAX	K MAX
04	.250 [6.35]	.376 [9.56]	.370 [9.39]	.550 [13.97]	N/A	N/A	N/A	N/A	N/A
05	.312 [7.92]	.438 [11.13]	.432 [10.97]	.612 [15.54]	N/A	N/A	N/A	N/A	N/A
06	.375 [9.52]	.501 [12.73]	.495 [12.57]	.675 [17.14]	.77 [19.6]	.93 [23.6]	1.19 [30.2]	1.16 [29.5]	.80 [20.3]
07	.437 [11.09]	.563 [14.31]	.556 [14.12]	.737 [18.71]	.80 [20.3]	.95 [24.1]	1.38 [35.1]	1.22 [31.0]	.92 [23.4]
08	.500 [12.70]	.626 [15.91]	.619 [15.72]	.800 [20.32]	.80 [20.3]	.95 [24.1]	1.38 [35.1]	1.22 [31.0]	.92 [23.4]
10	.625 [15.87]	.752 [19.11]	.742 [18.84]	.925 [23.49]	.84 [21.3]	1.00 [25.4]	1.51 [38.4]	1.35 [34.3]	1.18 [30.0]
12	.750 [19.05]	.877 [22.28]	.867 [22.02]	1.050 [26.67]	.86 [21.8]	1.01 [25.7]	1.63 [41.4]	1.40 [35.6]	1.35 [34.3]
14	.875 [22.23]	1.002 [25.46]	.991 [25.17]	1.175 [29.84]	.88 [22.4]	1.04 [26.4]	1.78 [45.2]	1.46 [37.1]	1.41 [35.8]
16	1.000 [25.40]	1.127 [28.63]	1.116 [28.34]	1.300 [33.02]	.91 [23.1]	1.06 [26.9]	1.88 [47.8]	1.53 [38.9]	1.60 [40.6]
18	1.125 [28.57]	1.252 [31.81]	1.241 [31.52]	1.425 [36.19]	.93 [23.6]	1.09 [27.7]	2.01 [51.1]	1.59 [40.4]	1.66 [42.2]
20	1.250 [31.75]	1.377 [34.98]	1.366 [34.69]	1.550 [39.37]	.98 [24.9]	1.13 [28.7]	2.13 [54.1]	1.78 [45.2]	2.04 [51.8]
22	1.375 [34.93]	1.502 [38.15]	1.488 [37.79]	1.675 [42.55]	1.03 [26.2]	1.38 [35.1]	2.29 [58.2]	1.85 [47.0]	2.23 [56.6]
24	1.500 [38.10]	1.627 [41.33]	1.613 [40.97]	1.800 [45.72]	1.08 [27.4]	1.44 [36.6]	2.42 [61.5]	1.92 [48.8]	2.23 [56.6]
28	1.820 [46.22]	1.877 [47.67]	1.863 [47.32]	2.048 [52.0]	1.08 [27.4]	1.44 [36.6]	2.58 [65.5]	2.03 [51.6]	2.48 [63.0]

Raychem Adapters

# CUSTOMER DRAWING

SIZE A	CAGE CODE: 06090	DWG. NO. TXR66	REV B
SCALE: NONE		SHEET 3 OF 3	



Компания «ЭлектроПласт» предлагает заключение долгосрочных отношений при поставках импортных электронных компонентов на взаимовыгодных условиях!

Наши преимущества:

- Оперативные поставки широкого спектра электронных компонентов отечественного и импортного производства напрямую от производителей и с крупнейших мировых складов;
- Поставка более 17-ти миллионов наименований электронных компонентов;
- Поставка сложных, дефицитных, либо снятых с производства позиций;
- Оперативные сроки поставки под заказ (от 5 рабочих дней);
- Экспресс доставка в любую точку России;
- Техническая поддержка проекта, помощь в подборе аналогов, поставка прототипов;
- Система менеджмента качества сертифицирована по Международному стандарту ISO 9001;
- Лицензия ФСБ на осуществление работ с использованием сведений, составляющих государственную тайну;
- Поставка специализированных компонентов (Xilinx, Altera, Analog Devices, Intersil, Interpoint, Microsemi, Aeroflex, Peregrine, Syfer, Eurofarad, Texas Instrument, Miteq, Cobham, E2V, MA-COM, Hittite, Mini-Circuits, General Dynamics и др.);

Помимо этого, одним из направлений компании «ЭлектроПласт» является направление «Источники питания». Мы предлагаем Вам помощь Конструкторского отдела:

- Подбор оптимального решения, техническое обоснование при выборе компонента;
- Подбор аналогов;
- Консультации по применению компонента;
- Поставка образцов и прототипов;
- Техническая поддержка проекта;
- Защита от снятия компонента с производства.



#### Как с нами связаться

**Телефон:** 8 (812) 309 58 32 (многоканальный)

**Факс:** 8 (812) 320-02-42

**Электронная почта:** [org@eplast1.ru](mailto:org@eplast1.ru)

**Адрес:** 198099, г. Санкт-Петербург, ул. Калинина, дом 2, корпус 4, литера А.