

Description

Very cost effective design to meet international requirements. No exposed metal parts which are, or could become, current-carrying except for terminals. R-type TO CBE to EN 60934.

- Manual reset, cycling trip free mechanism
- Extremely small and lightweight
- UL, CSA, VDE and EN 60934 (IEC 60934) approved

Typical applications

Battery chargers, consumer products, power supplies, motors.

Ordering information

Type No.

1658 single pole thermal circuit breaker

Threadneck design

G21 manual reset type, 3/8"-27 threadneck

A00 auto reset type, without threadneck

Hardware

00 no hardware

01 one PAL nut, bulk

02 one PAL nut, one knurled nut, bulk

Terminals

P10 blade terminals A6.3-0.8 (QC .250)

P13 blade terminals A6.3-0.8 (QC .250), 90°

Current ratings

5 ...30 A

1658 - G21 - 02 - P10 - 5 A Ordering example

* Screws and lock washers bulk shipped

Preferred types

NEW

| Preferred types | Standard current ratings (A) | | | | | | | | | | | |
|------------------|------------------------------|---|---|---|---|----|----|----|----|----|----|----|
| | 5 | 6 | 7 | 8 | 9 | 10 | 12 | 15 | 16 | 20 | 25 | 30 |
| 1658-G21-02-P10- | x | x | x | x | x | x | x | x | x | x | x | x |
| 1658-G21-02-P13- | x | x | x | x | x | x | x | x | x | | | |
| 1658-A00-00-P10- | x | x | x | x | x | x | x | x | x | | | |

Standard current ratings and typical voltage drop values

| Current rating (A) | voltage drop values (mV) | Current rating (A) | voltage drop values (mV) |
|--------------------|--------------------------|--------------------|--------------------------|
| 5 | ≤ 250 | 12 | ≤ 250 |
| 6 | ≤ 250 | 15 | ≤ 250 |
| 7 | ≤ 250 | 16 | ≤ 250 |
| 8 | ≤ 250 | 20 | ≤ 250 |
| 9 | ≤ 250 | 25 | ≤ 250 |
| 10 | ≤ 250 | 30 | ≤ 250 |



1658-...

Technical data

For further details please see chapter: Technical Information

| | | | |
|-------------------------------------------------------------------|-------------------------------------------------------------------------------------------|----------------------------------------------------|---------------------------------|
| Voltage rating | AC 240 V; DC 28 V | | |
| Current ratings | 5...30 A | | |
| Typical life | AC + DC | | |
| | 5...16 A | 1,000 operations at 2 x I _N , inductive | |
| | 17...25 A | 1,000 operations at 2 x I _N , resistive | |
| Behaviour at rated switching capacity (EN 60934; test sequence D) | operat. | I _N | U _N |
| | 40 | 5...16 A | AC 240 V 6 x I _N ind |
| | 40 | 5...16 A | DC 28 V 4 x I _N ind |
| | 40 | 17...25 A | AC 240 V 120 A resistive |
| | 40 | 17...25 A | DC 28 V 120 A resistive |
| Ambient temperature | -20...+60 °C (-4...+140 °F), ≤ 7 A max. +40 °C (+104 °F) | | |
| Insulation co-ordination (IEC 60664 and 60664 A) | rated impulse withstand voltage | pollution degree | |
| | 2.5 kV | 2 | |
| | reinforced insulation in operating area | | |
| Dielectric strength (IEC 60664 and 60664A) | test voltage | operating area | |
| | AC 3,000 V | | |
| Insulation resistance | > 100 MΩ (DC 500 V) | | |
| Interrupting capacity I _{cn} | 5...7 A | 180 A | |
| | 8...30 A | 200 A | |
| Interrupting capacity (UL 1077/EN 60934 PC1) | I _N | U _N | |
| | 5...16 A | AC 240 V 2,000 A | |
| | 5...30 A | AC 120 V 2,000 A | |
| | 5...30 A | DC 32 V 2,500 A | |
| | 5...30 A | DC 28 V 2,000 A (1658-A..) | |
| Degree of protection (IEC 60529/DIN 40050) | operating area IP40 | | |
| | terminal area IP00 | | |
| Vibration | 8 g (57-500 Hz) ± 0.61 mm (10-57 Hz), to IEC 60068-2-6, test Fc, 10 frequency cycles/axis | | |
| Shock | 30 g (11 ms) to IEC 60068-2-27, test Ea | | |
| Corrosion | 96 hours at 5 % salt mist, to IEC 60068-2-11, test Ka | | |
| Humidity | 240 hours at 95 % RH to IEC 60068-2-78, test Cab | | |
| Mass | approx. 16 g | | |

Dimensions



A00



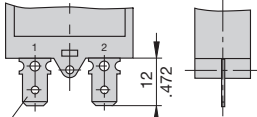
G21 tightening torque max. 0.8 Nm
3/8-27UNS-2A



See ordering information for mounting hardware.

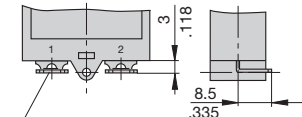
Terminal design

P10



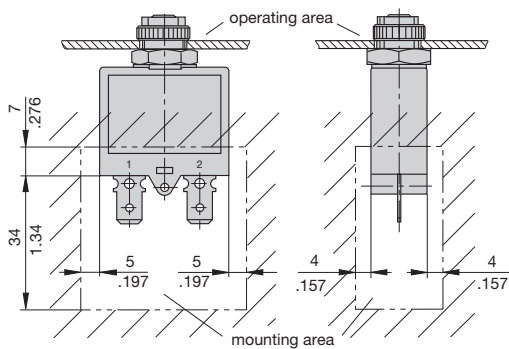
blade terminals DIN 46244-A6.3-0.8
(QC .250)

P13



blade terminals DIN 46244-A6.3-0.8 (QC .250)
angled 90°

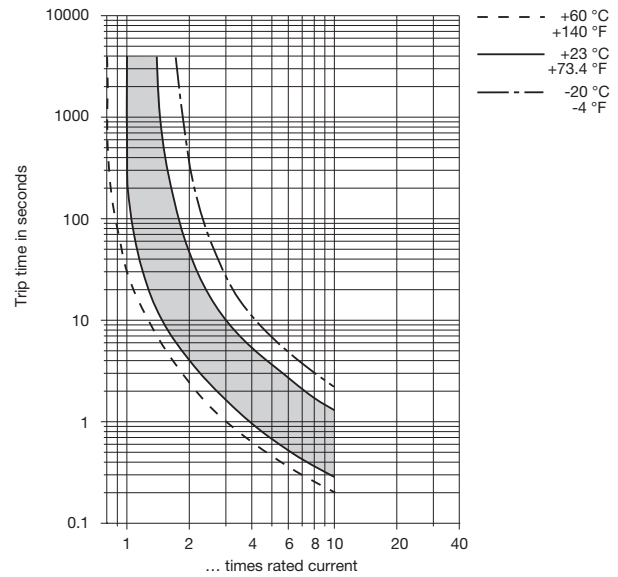
Installation drawing



Internal connection diagram



Typical time/current characteristics



The time/current characteristic curve depends on the ambient temperature prevailing. In order to eliminate nuisance tripping, please multiply the circuit breaker current ratings by the derating factor shown below. See also section Technical information.

| Ambient temp. °F | -4 | +14 | +32 | +73.4 | +104 | +122 | +140 |
|----------------------------|------|------|------|-------|------|------|------|
| Ambient temp. °C | -20 | -10 | 0 | +23 | +40 | +50 | +60 |
| Derating factor $I_N > 7A$ | 0.83 | 0.85 | 0.9 | 1 | 1.1 | 1.18 | 1.25 |
| Derating factor $I_N < 7A$ | 0.74 | 0.76 | 0.82 | 1 | 1.23 | - | - |

This is a metric design and millimeter dimensions take precedence ($\frac{\text{mm}}{\text{inch}}$)

Accessories

Mounting nut 3/8", 27-thread
Y 306 671 01



Knurled nut 3/8", 27-thread plastic (standard)
Y 307 117 02



Knurled nut 3/8", 27-thread nickel-plated brass
Y 300 190 03



Hex nut 3/8", 27-thread nickel-plated brass
Y 300 192 01



Press to Reset Plate for 3/8" thread, aluminium
Y 301 059 02



Reset button seal for 3/8", 27-thread, short
X 201 285 01



long
X 200 799 01



Panel cut out

1658-3/8-27 UNS-2A



Approvals

| Authority | Voltage ratings | Current ratings |
|----------------|--------------------------------------------------------|--------------------------------------------------------------------------------------------------------|
| VDE (EN 60934) | AC 240 V; DC 28 V | 5...25 A |
| UL | AC 240 V AC 120 V AC 120 V DC 32 V DC 28 V | 5...16 A 1658-G.. 18...30 A 1658-G.. 5...30 A 1658-A.. 5...30 A 1658-G.. 5...30 A 1658-A.. |

This is a metric design and millimeter dimensions take precedence $\left(\frac{\text{mm}}{\text{inch}}\right)$

All dimensions without tolerances are for reference only. In the interest of improved design, performance and cost effectiveness the right to make changes in these specifications without notice is reserved. Product markings may not be exactly as the ordering codes. Errors and omissions excepted.



Компания «ЭлектроПласт» предлагает заключение долгосрочных отношений при поставках импортных электронных компонентов на взаимовыгодных условиях!

Наши преимущества:

- Оперативные поставки широкого спектра электронных компонентов отечественного и импортного производства напрямую от производителей и с крупнейших мировых складов;
- Поставка более 17-ти миллионов наименований электронных компонентов;
- Поставка сложных, дефицитных, либо снятых с производства позиций;
- Оперативные сроки поставки под заказ (от 5 рабочих дней);
- Экспресс доставка в любую точку России;
- Техническая поддержка проекта, помощь в подборе аналогов, поставка прототипов;
- Система менеджмента качества сертифицирована по Международному стандарту ISO 9001;
- Лицензия ФСБ на осуществление работ с использованием сведений, составляющих государственную тайну;
- Поставка специализированных компонентов (Xilinx, Altera, Analog Devices, Intersil, Interpoint, Microsemi, Aeroflex, Peregrine, Syfer, Eurofarad, Texas Instrument, Miteq, Cobham, E2V, MA-COM, Hittite, Mini-Circuits, General Dynamics и др.);

Помимо этого, одним из направлений компании «ЭлектроПласт» является направление «Источники питания». Мы предлагаем Вам помощь Конструкторского отдела:

- Подбор оптимального решения, техническое обоснование при выборе компонента;
- Подбор аналогов;
- Консультации по применению компонента;
- Поставка образцов и прототипов;
- Техническая поддержка проекта;
- Защита от снятия компонента с производства.



Как с нами связаться

Телефон: 8 (812) 309 58 32 (многоканальный)

Факс: 8 (812) 320-02-42

Электронная почта: org@eplast1.ru

Адрес: 198099, г. Санкт-Петербург, ул. Калинина, дом 2, корпус 4, литера А.